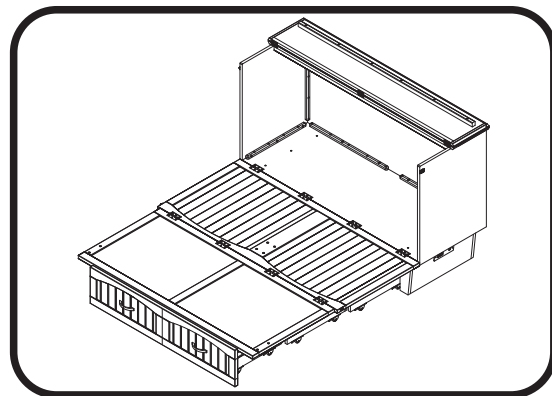
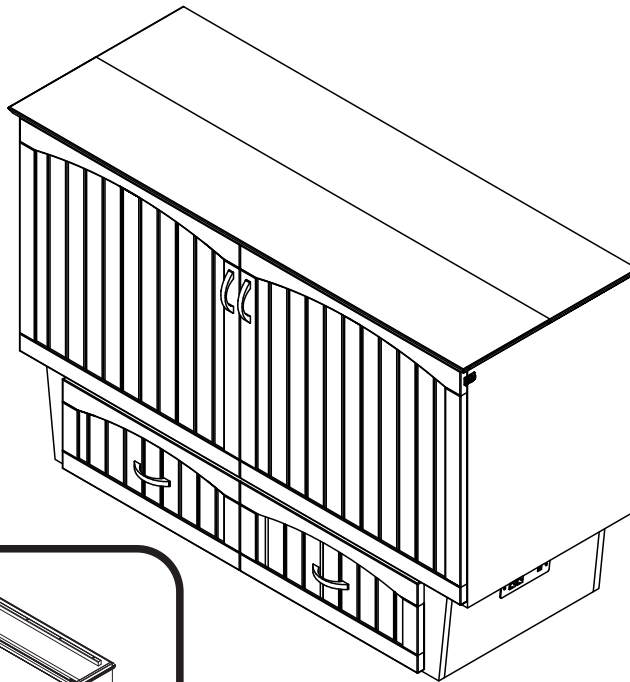


## QUEEN

### ASSEMBLY INSTRUCTIONS

Before assembling your Murphy bed, please read through these instructions carefully and familiarize yourself with the different parts.

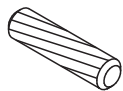
**ATTENTION!** If you receive a damaged or defective item, please contact Atlantic Furniture at [customerservice@atlanticfurniture.com](mailto:customerservice@atlanticfurniture.com) or 1-800-955-3726



**PO :** \_\_\_\_\_

### HARDWARE

NOTE: WE INCLUDE SPARE HARDWARE IN CASE DAMAGE OCCURS DURING ASSEMBLY.



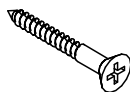
**A** Wood dowel - 10 pcs  
Spare - 1 pc



**B** JCB M6 X 25mm - 10 pcs  
Spare - 1 pc



**C** Wood screw 5/8" - 12 pcs  
Spare - 1 pc



**D** Wood screw 1" - 18 pcs  
Spare - 1 pc



**E** Metal pull - 6 pcs



**F** Metal pull screw 25mm - 8 pcs  
Spare - 1 pc



**G** Metal pull screw 40mm - 4 pcs  
Spare - 1 pc



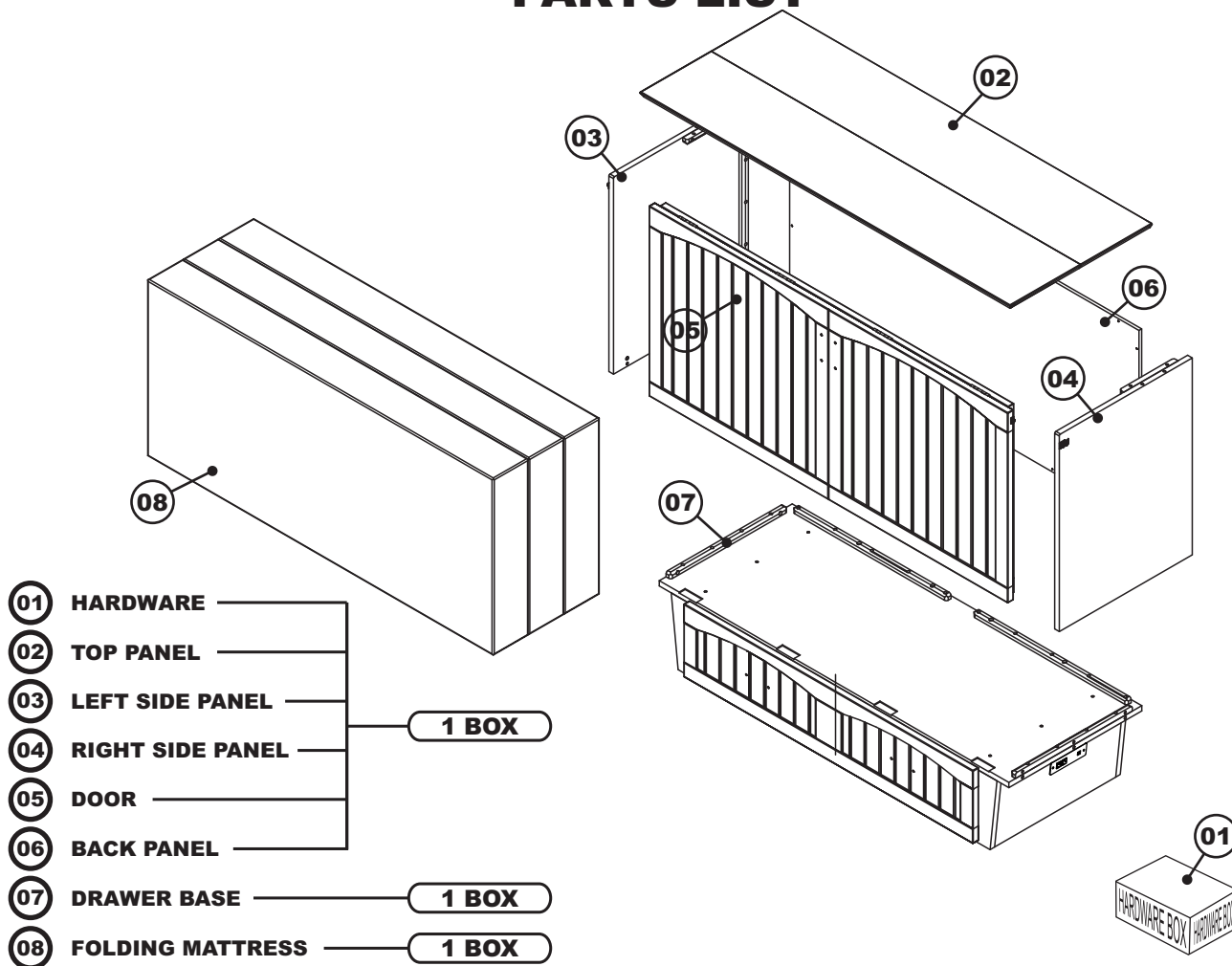
**H** Washer - 24pcs  
Spare - 1 pc



**I** Allen wrench - 1 pc  
Spare - 1 pc

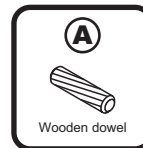
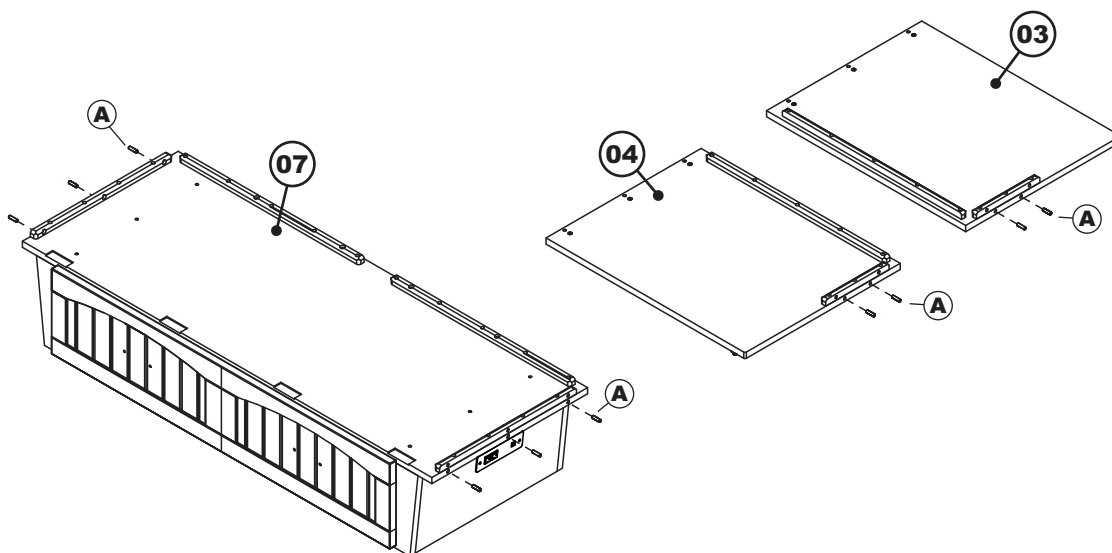
Adjust quantity as needed.

### PARTS LIST



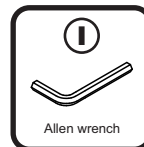
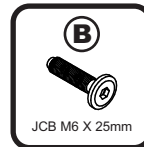
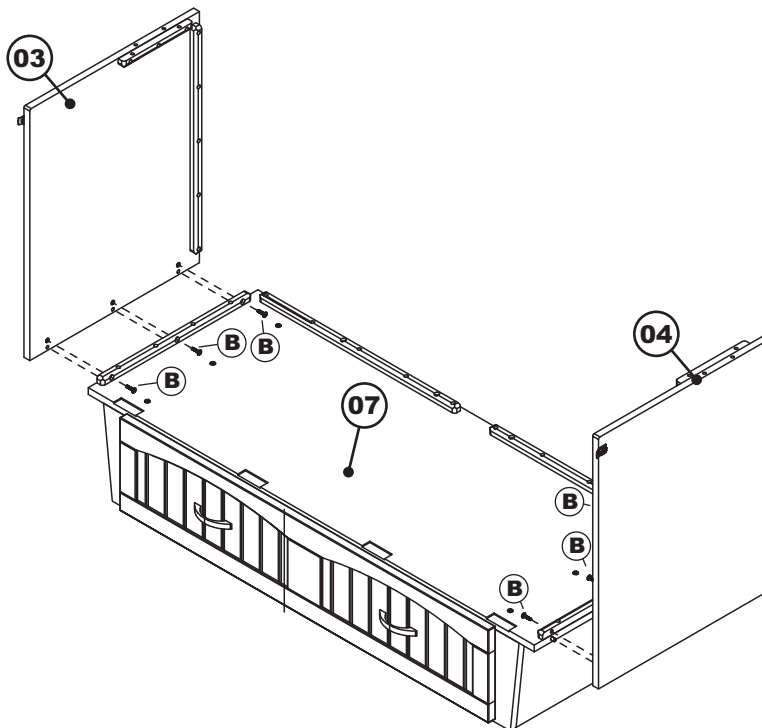
#### STEP 1

Insert all wooden dowels (A) into the locator holes on (03)(04) and (07) as shown below.



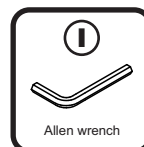
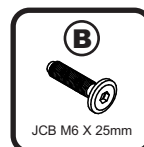
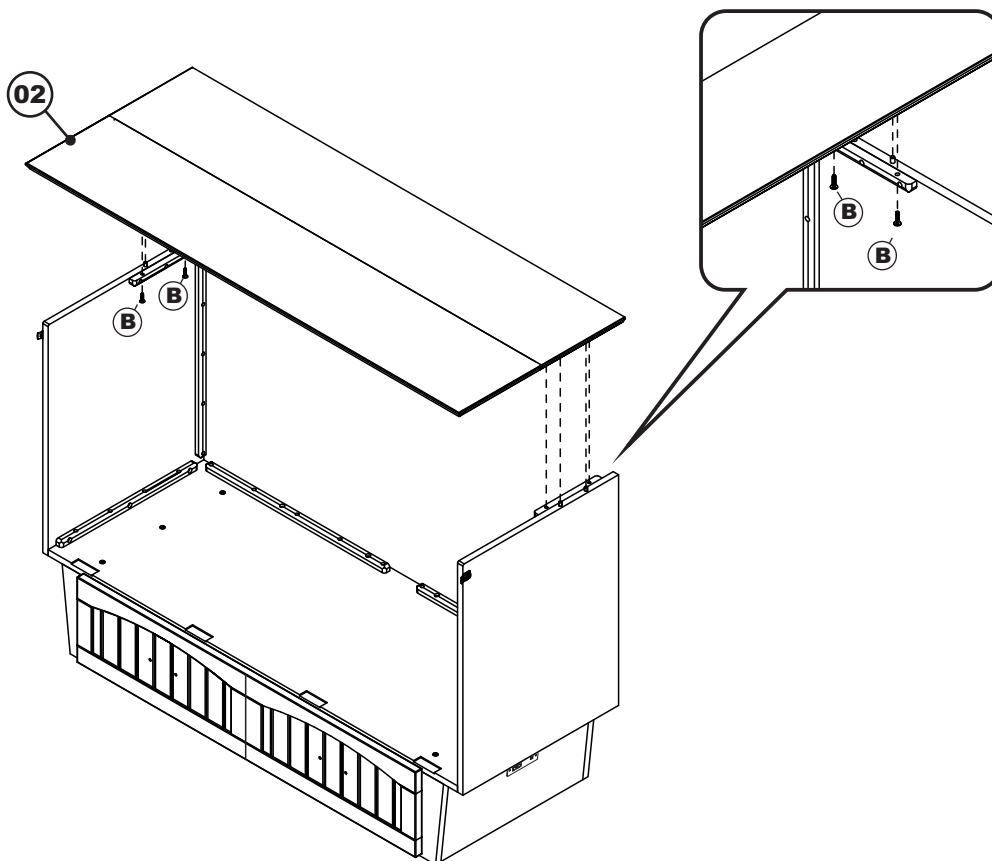
### STEP 2

Attach left and right side panels (03) and (04) to the drawer base (07) as shown below. Using JCB (B) tighten with Allen wrench (I)



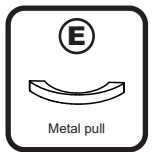
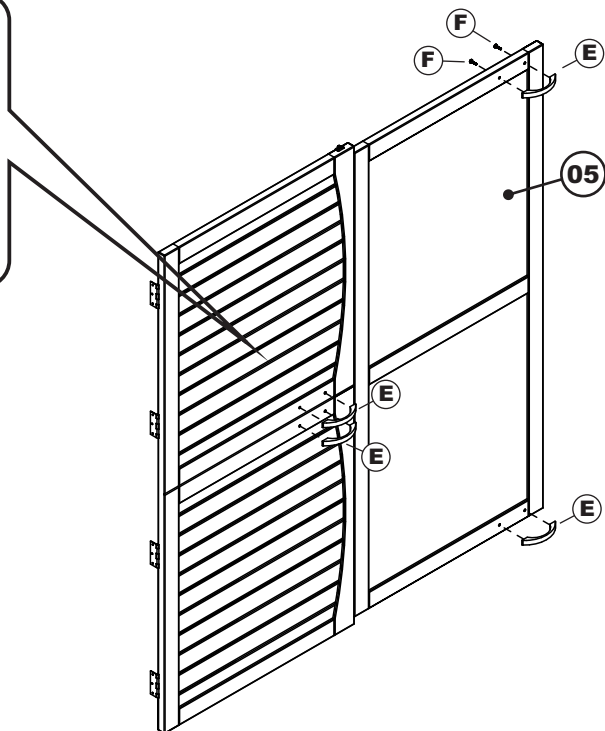
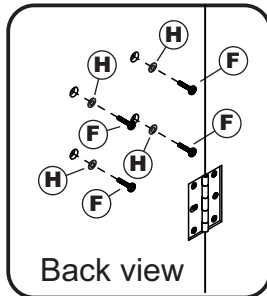
### STEP 3

Attach top panel (02) to the side panels as shown below. Using JCB (B), tighten with Allen wrench (I).



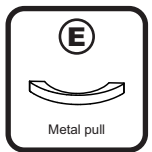
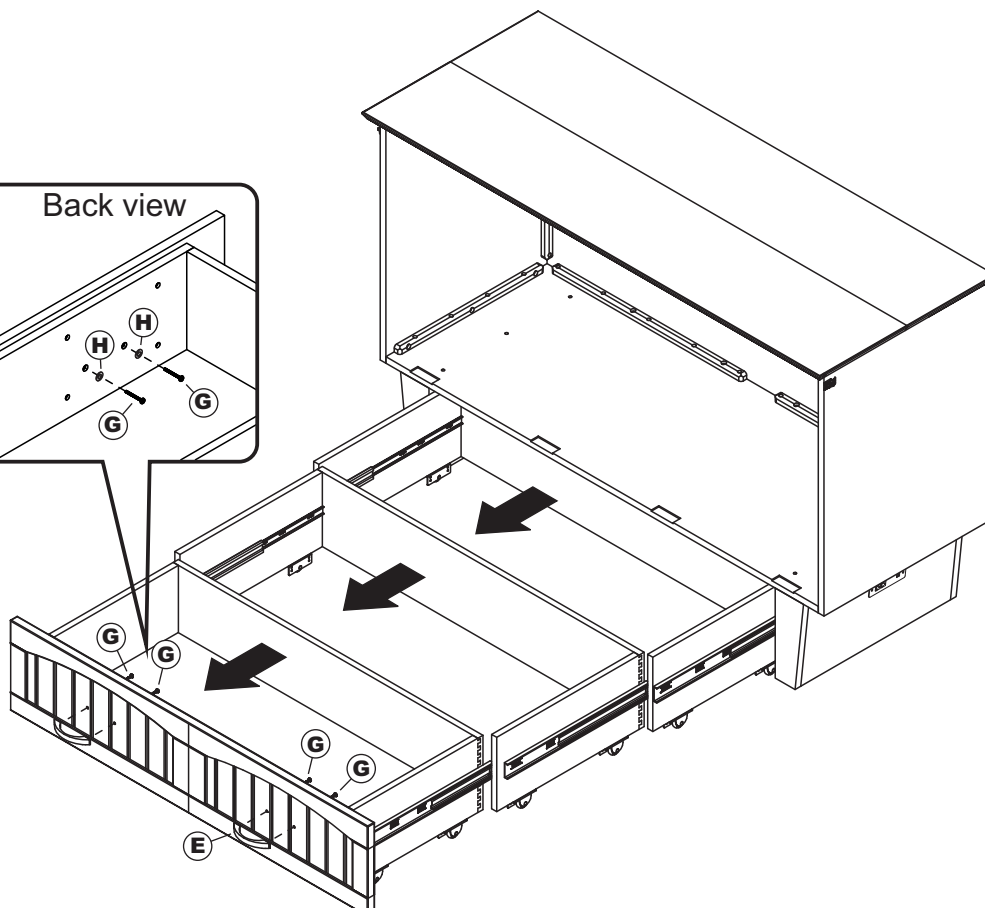
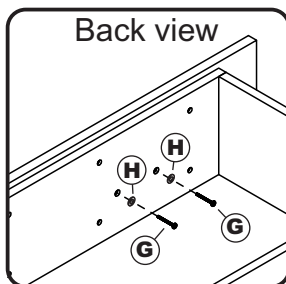
### STEP 4

Install metal pull (E) to the locator holes on (05) as shown below. Using metal pull screw (F) and washers (H) tighten with Phillips screwdriver (customer supplied).



### STEP 5

Pull out drawer base as shown below. Install metal pull (E) Using metal pull screw (G), and washers (H). Tighten with Phillips screwdriver (customer supplied).





# NANTUCKET MURPHY BED WITH CHARGING STATION

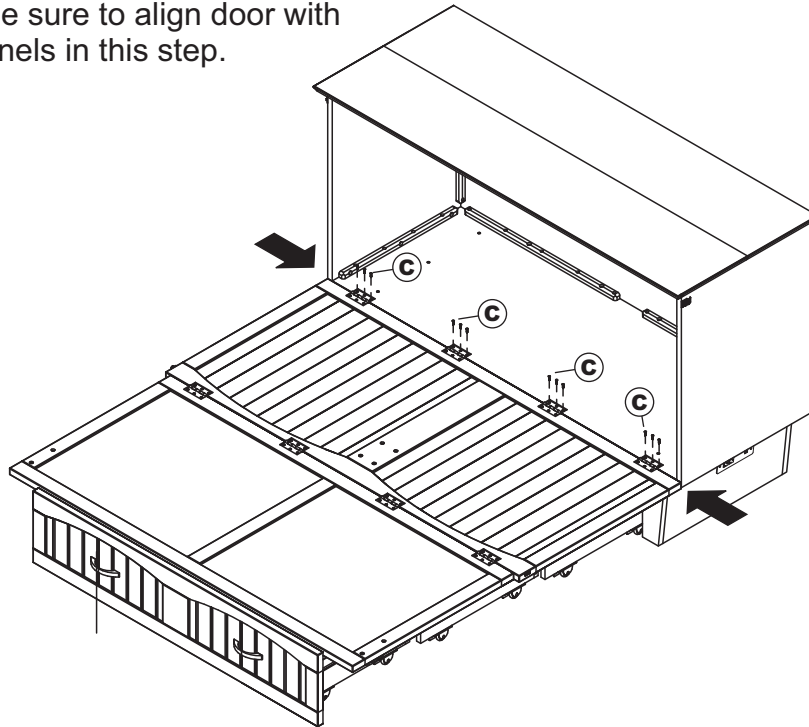
ATLANTIC

atlanticfurniture.com

## STEP 6

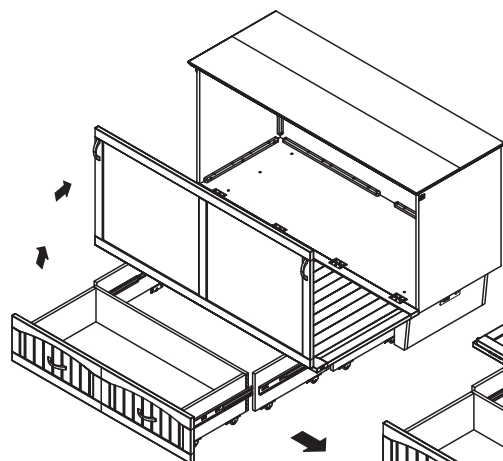
Lay the door down flat as shown below. Attach door hinge to drawer base using wood screw (C) and tighten with Phillips screwdriver (customer supplied).

Note: Be sure to align door with side panels in this step.

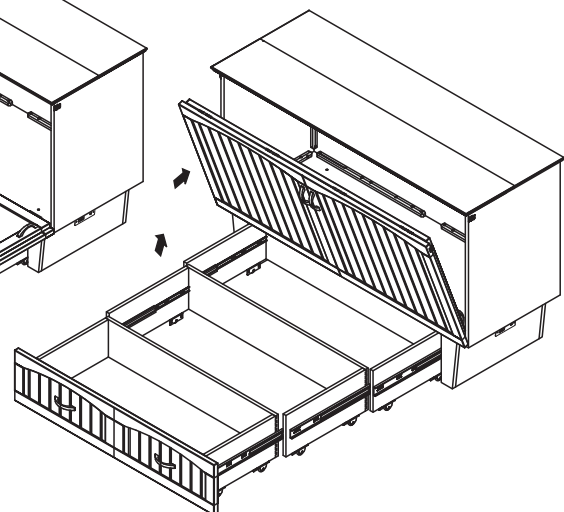
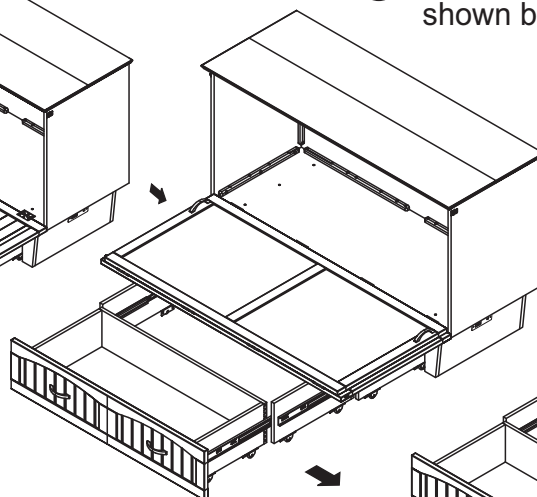


## STEP 7

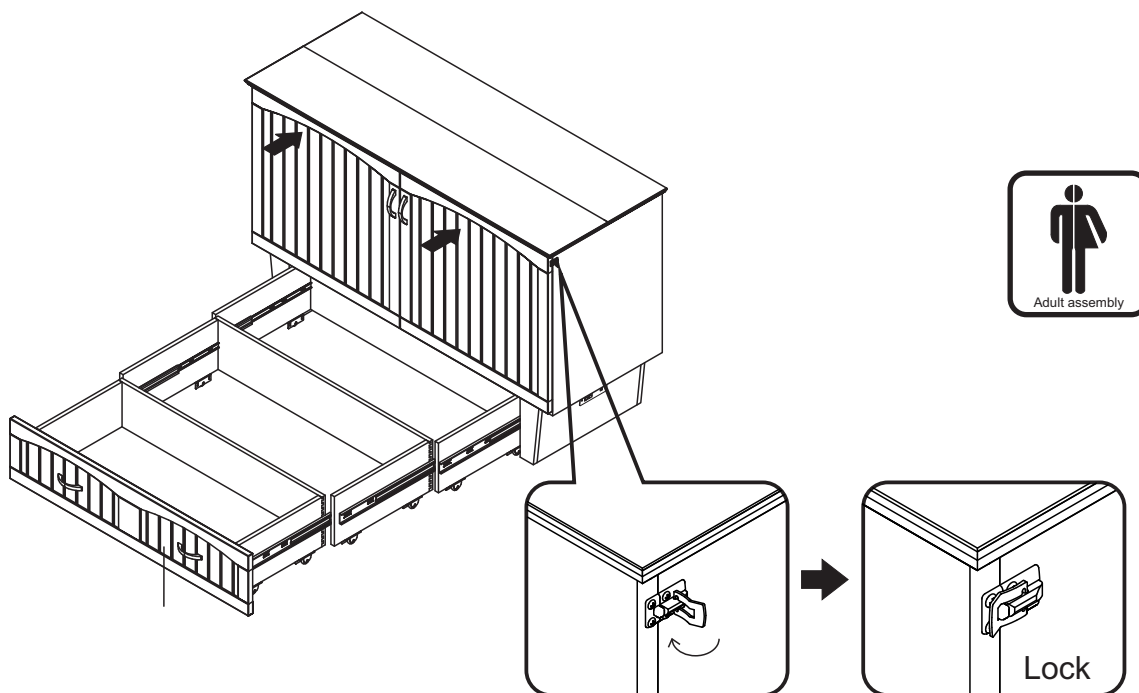
① Lift the door and fold as shown below.



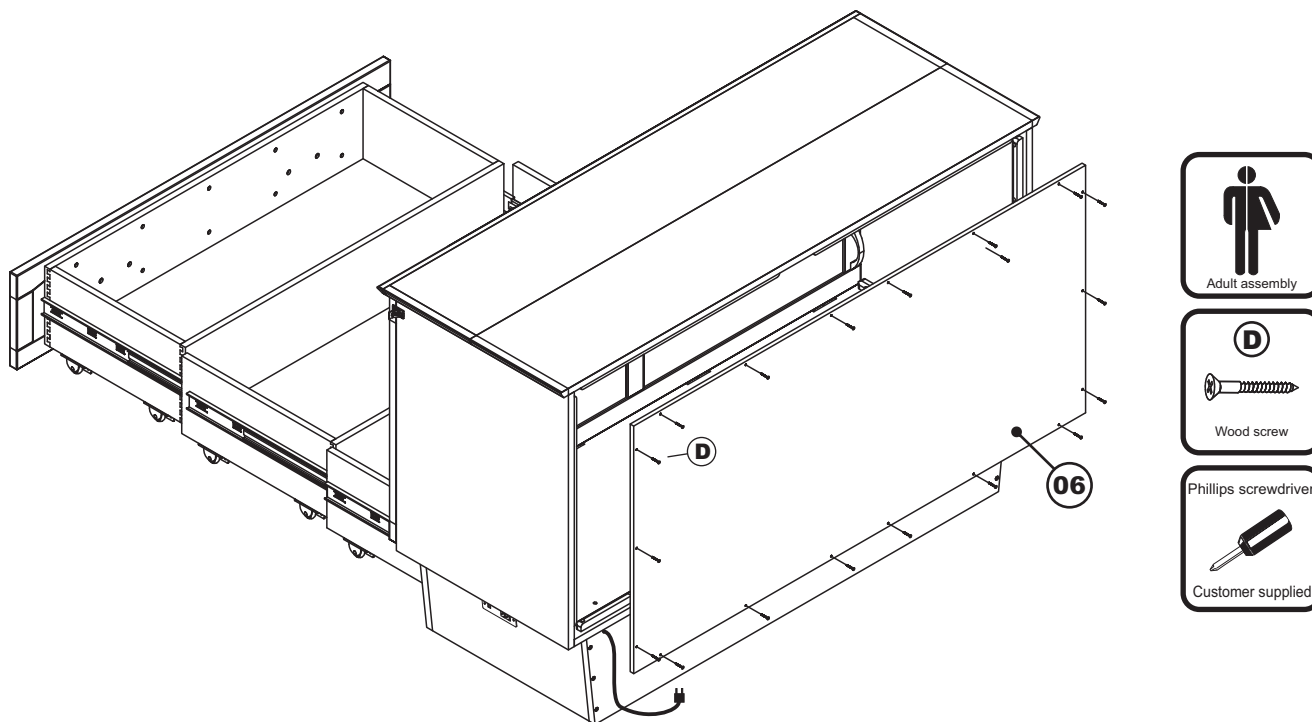
② Lift the door and latch to side panel as shown below.



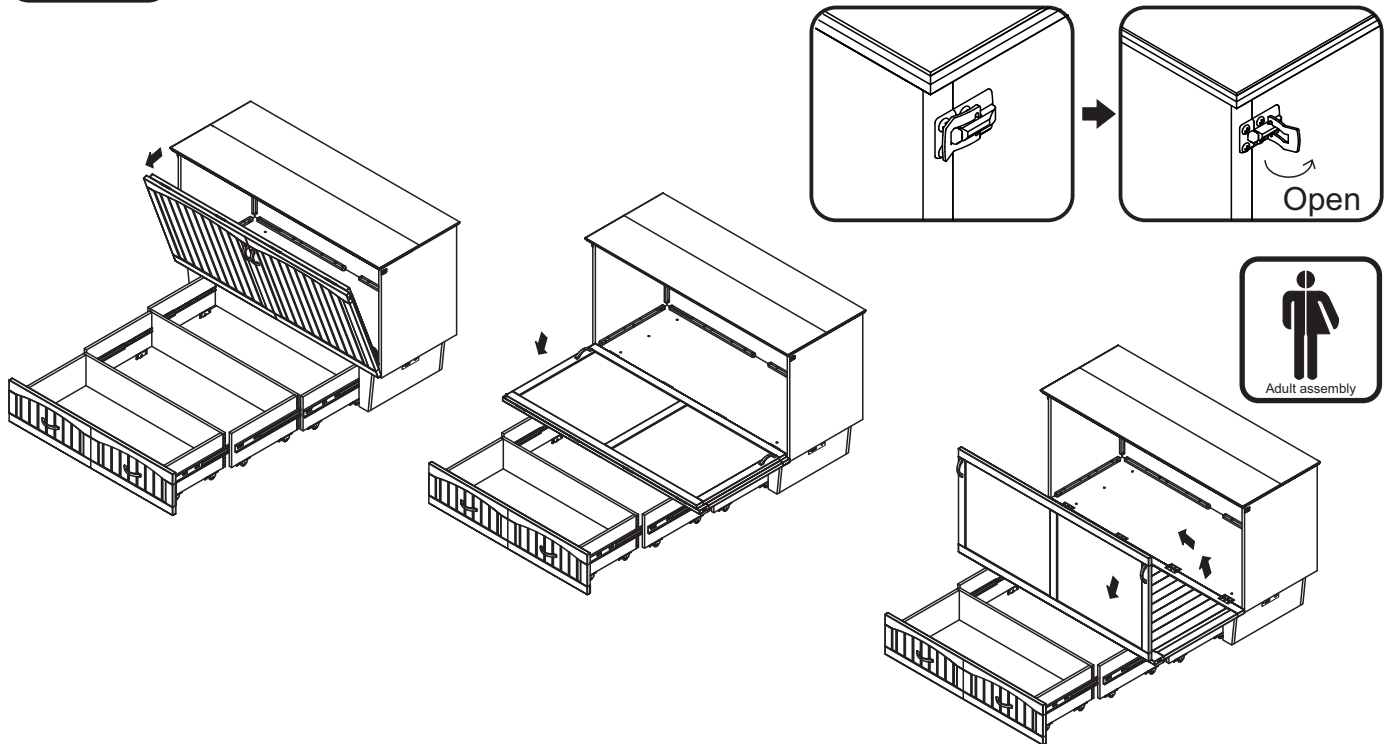
**STEP 8** Push the door closed and latch both sides as shown below.



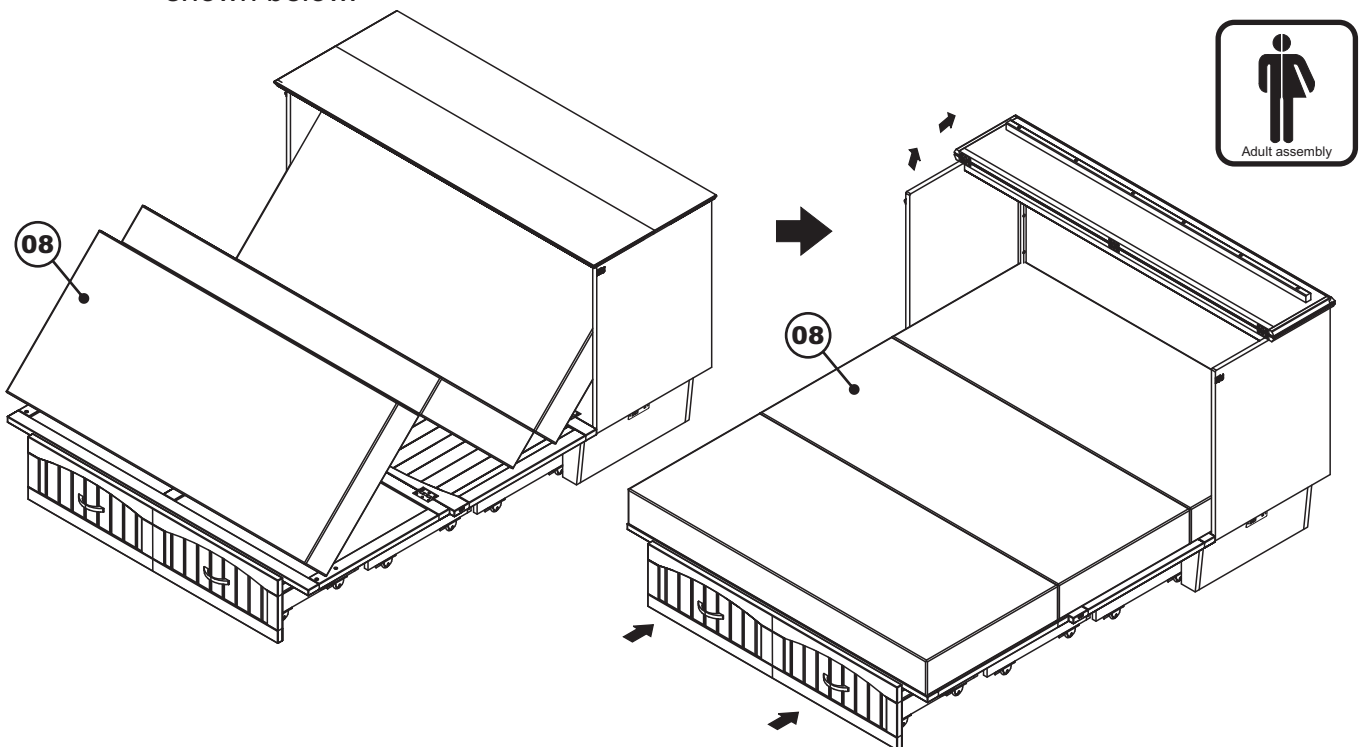
**STEP 9** Attach back panel (06) to cabinet assembly as shown below. Using wood screws (D), tighten with Phillips screwdriver (customer supplied).



**STEP 10** Pull the drawer out fully. Unlatch the door and open, folding down as shown.



**STEP 11** Install folding mattress (08) to the bed. Open top panel and push drawer base in as shown below.



**Congratulations!**

Your Murphy bed is now ready for use.

We recommend that you recheck that all screws are tight, and that all parts are secure before use to ensure lasting Safety.