



# Refrigerator

---

## User manual

RS25J50\*

---

Free Standing Appliance

**SAMSUNG**

# Contents

---

<b>Safety information</b>	<b>3</b>
Important safety symbols and precautions	4
Critical installation warnings	5
Installation cautions	8
Critical usage warnings	9
Usage cautions	13
Cleaning cautions	16
Critical disposal warnings	17
Additional tips for proper usage	18
<b>Setting up</b>	<b>19</b>
Getting ready to install the refrigerator	19
Setting up the refrigerator	22
Removing the refrigerator doors	24
Leveling the refrigerator	29
Making minor adjustments between doors	30
Installing the water dispenser line	31
Completing the set up	35
<b>Operating</b>	<b>36</b>
Checking the control panel	36
Using the control panel	38
Using the ice and cold water dispenser	41
Storing food	43
Removing the freezer/fridge accessories	45
Cleaning the refrigerator	46
Changing the water filter	48
<b>Troubleshooting</b>	<b>54</b>

# Safety information

---

- Before using your new Samsung Side-By-Side Refrigerator, please read this manual thoroughly to ensure that you know how to operate the features and functions that your new appliance offers safely and efficiently.
- This appliance is not intended for use by persons (including children) with reduced physical, sensory, or mental capabilities, or those who lack experience and knowledge, unless they have been given supervision or instruction concerning the use of the appliance by a person responsible for their safety.
- Because the following instructions cover various models, the characteristics of your refrigerator may differ slightly from the refrigerator described in this manual.
- If you have any question, contact us at 1-800-SAMSUNG or find help and information online at [www.samsung.com](http://www.samsung.com).

# Safety information

---

## Important safety symbols and precautions

---

### **WARNING**

Hazards or unsafe practices that may result in **severe personal injury or death**.

### **CAUTION**

Hazards or unsafe practices that may result in **minor personal injury or property damage**.

### **NOTE**

 Do NOT attempt.

 Do NOT disassemble.

 Do NOT touch.

 Follow directions carefully.

 Unplug the power plug from the wall socket.

 Make sure the machine is grounded to prevent electric shock.

 Call the contact center for help.

**These warning signs are here to prevent injury to you and others.**

**Please follow them carefully.**

**After reading this section, keep it in a safe place for future reference.**

### **WARNING**

#### **State of California Proposition 65 Warning (US only)**


This product contains chemicals known to the State of California to cause cancer and birth defects or other reproductive harm.

---

## Critical installation warnings

---

### **WARNING**



-  • Do not install the refrigerator in a damp location or place where it may come in contact with water.
- Deteriorated insulation on electrical parts may cause an electric shock or fire.
- Do not place this refrigerator in direct sunlight or expose it to the heat from stoves, room heaters, or other appliances.
- Do not plug several appliances into the same multiple power strip. The refrigerator should always be plugged into its own individual electrical outlet which has a voltage rating that matches the voltage listed on the refrigerator's rating plate.
- This provides the best performance and also prevents overloading of house wiring circuits, which could cause a fire hazard from overheated wires.
- If the wall socket is loose, do not insert the power plug.
- There is a risk of electric shock or fire.
- Do not use a power cord that has cracks or abrasion damage along its length or at either end.
- Do not bend the power cord excessively or place heavy objects on it.
- Do not twist or tie the power cord.
- Do not hook the power cord over a metal object, place a heavy object on the power cord, insert the power cord between objects, or push the power cord into the space behind the appliance.
- When moving the refrigerator, be careful not to roll over or damage the power cord.
- This may result in an electric shock or fire.
- Never unplug your refrigerator by pulling on the power cord. Always grip the plug firmly and pull straight out from the outlet.
- Damage to the cord may cause a short-circuit, fire, and/or electric shock.
- Do not use aerosols near the refrigerator.
- Using aerosols near the refrigerator may cause an explosion or fire.

# Safety information

---

- Do not install this appliance near a heater or inflammable material.
  - Do not install this appliance in a humid, oily, or dusty location , or in a location exposed to direct sunlight or water (rain, etc.).
  - Do not install this appliance in a location where gas may leak.
  - This may result in an electric shock or fire.
- 

- ★ • This refrigerator must be properly located and installed in accordance with the instructions in this manual before you use it.
- Connect the power plug in the proper position with the cord hanging down.
  - If you connect the power plug upside down, the wire can get cut off and cause a fire or electric shock.
- When moving the refrigerator, be careful not to roll over or damage the power cord.
  - This constitutes a fire hazard.
- Make sure that the power plug is not crushed or damaged by the back of the refrigerator.
- Keep the packing materials out of reach of children.
  - There is a risk of death from suffocation if a child puts the packing materials on his or her head.
- The appliance must be positioned so that the plug is accessible after installation.
  - Failing to do so may result in an electric shock or fire due to electric leakage.
- You need to remove all the protective plastic film before you initially plug the product in.

- 
-  The refrigerator must be safely grounded.
  - Always make sure that you have grounded the refrigerator before attempting to investigate or repair any part of the appliance. Power leakages can cause severe electric shock.
  - Never use gas pipes, telephone lines, or other potential lightning attractors as an electrical ground.
  - Improper use of the grounding plug can result in a risk of electric shock. If it is necessary to use an extension cord, use only a 3-wire extension cord that has a 3-blade grounding plug and a 3-slot receptacle that will accept the plug on the appliance. The marked rating of the extension cord should be AC 115-120 V, 10 A, or more. If a grounding adapter is used, make sure the receptacle box is fully grounded.
  - Plug the power plug into the wall socket firmly. Do not use a damaged power plug, damaged power cord, or loose wall socket.
  - This may result in an electric shock or fire.
- 
-  If the power cord is damaged, have it replaced immediately by the manufacturer or one of its service agents.


# Safety information

---

## Installation cautions

---

### CAUTION

-  • Allow sufficient space around the refrigerator and install it on a flat surface.
- If your refrigerator is not level, the internal cooling system may not work correctly.
- Keep the ventilation space in the appliance enclosure or mounting structure clear of obstructions.
- Allow the appliance to stand for 2 hours after installation.
- We strongly recommend you have a qualified technician or service company install the refrigerator.
- Failing to do so may result in an electric shock, fire, explosion, problems with the product, or injury.

---

## Critical usage warnings

---

### **WARNING**

- Do not insert the power plug into a wall socket with wet hands.
- Do not store articles on the top of the appliance.
  - When you open or close the door, the articles may fall and cause personal injury and/or material damage.
- Do not insert hands, feet or metal objects (such as knives, etc.) into the bottom or the back of the refrigerator.
  - This may result in an electric shock or injury.
  - Any sharp edges may cause a personal injury
- Do not put a container filled with water on the refrigerator.
  - If spilled, there is a risk of fire or electric shock.
- Children should be supervised to ensure that they do not play with the appliance.
  - Keep fingers out of “pinch point” areas. Clearances between the doors and cabinet are necessarily small. Be careful when you open the doors if children are in the area.
- Do not let children hang on the door.
  - A serious injury may occur.
- Do not let children go inside the refrigerator. They could become trapped.
- Do not insert your hands into the bottom area under the appliance.
  - Any sharp edges may cause personal injury.
- Do not let children step on a drawer cover.
  - The drawer may break and cause them to slip.
- Do not overfill the refrigerator with food.
  - When you open the door, an item may fall out and cause personal injury or material damage.
- Do not touch the inside walls of the freezer or products stored in the freezer with wet hands.
  - This may cause frostbite.
- Never put fingers or other objects into the water dispenser hole, ice chute, or ice maker bucket.

# Safety information

---

- It may cause personal injury or material damage.
- Do not use or place any substances sensitive to temperature such as inflammable sprays, inflammable objects, dry ice, medicine, or chemicals near or inside of the refrigerator.
- Do not keep volatile or inflammable objects or substances (benzene, thinner, propane gas, alcohol, ether, LP gas, and other such products) in the refrigerator.
- This refrigerator is for storing food only.
- This may result in fire or explosion.
- Do not store pharmaceutical products, scientific materials, or temperature sensitive products in the refrigerator.
- Products that require strict temperature controls must not be stored in the refrigerator.
- Do not place or use an electrical appliance inside the refrigerator, unless it is of a type recommended by the manufacturer.
- Do not stand on top of the appliance or place objects (such as laundry, lighted candles, lighted cigarettes, dishes, chemicals, metal objects, etc.) on the appliance.  
This may result in an electric shock, fire, problems with the product, or injury.  
Do not put a container filled with water on the appliance.
- If spilled, there is a risk of fire or electric shock.
- Do not use mechanical devices or any other means to accelerate the defrosting process, other than those recommended by the manufacturer.
- Do not damage the refrigerant circuit.
- Do not spray volatile material such as insecticide onto the surface of the appliance.
- As well as being harmful to humans, it may also result in an electric shock, fire, or problems with the product.
- Never stare directly at the UV LED lamp for long periods of time.
- This may result in eye strain due to the ultraviolet rays.

- 
- ⊘ • Do not attempt to repair, disassemble, or modify the appliance yourself.
  - Do not use any fuse (such as cooper, steel wire, etc.) other than a standard fuse.
  - If your appliance needs to be repaired or reinstalled, contact your nearest service center.
  - Failing to do so may result in an electric shock, fire, problems with the product, or injury.
  - If the interior or exterior LED lamp has gone out, please contact your nearest service center.
- 

- ★ • Children should be supervised to ensure that they do not play with the appliance.
- Keep fingers out of “pinch point” areas. : Clearances between the doors and cabinet are necessarily small.  
Be careful when you open the doors if children are in the area.
- Do not let children hang on the door.  
A serious injury may occur.
- Do not let children go inside the refrigerator. They could become trapped.
- Bottles should be stored tightly together so that they do not fall out.
- This product is intended only for the storage of food in a domestic environment.
- If a gas leak is detected, avoid any naked flames or potential sources of ignition, and air the room in which the appliance is standing for several minutes.
- Do not touch the appliance or power cord.
- Do not use a ventilating fan.
- A spark may result in explosion or fire.
- Use only the LED Lamps provided by the manufacturer or its service agents.

# Safety information

---

- If the refrigerator emits a burning smell or smoke, unplug the refrigerator immediately and contact your Samsung Electronics service center.
- If you experience difficulty changing a non-LED light, contact a Samsung service center.
- If the product is equipped with LED Lamps, do not disassemble the Lamp Covers and LED Lamps yourself.
  - Please contact your service agents.
- If dust or water enters the refrigerator, unplug the refrigerator and contact your Samsung Electronics service center.
  - There is a risk of fire.

---

## Usage cautions

---


### CAUTION

- Do not re-freeze frozen foods that have thawed completely.  
Do not place carbonated or fizzy drinks in the freezer compartment.  
Do not put bottles or glass containers in the freezer.
- When the contents freeze, the glass may break and cause personal injury.
- Use only the ice maker provided with the refrigerator.
- Have the refrigerator's water supply installed by a suitably qualified person and connected only to a potable water supply.  
To operate the ice maker properly, water pressure of 20 ~ 125 psi (138 ~ 862 kPa) is required.  
If you will be away from home for a long period of time (on vacation, for example) and won't be using the water or ice dispensers, close the water valve.
- Otherwise, water leakage may occur.
- If you won't be using the refrigerator for a very long period of time, (3 weeks or more) empty the refrigerator, unplug it, close the water valve, wipe excess moisture from the inside walls, and leave the doors open to prevent odors and mold.

# Safety information

---

- ★ • Service Warranty and Modification.
- Any changes or modifications performed by a 3rd party on this finished appliance are not covered under Samsung warranty service, nor is Samsung responsible for safety issues that result from 3rd party modifications.
- Do not block the air vents inside the refrigerator.
  - If the air vents are blocked, especially with a plastic bag, the refrigerator can be over cooled. If this cooling period lasts too long, the water filter may break and cause water leakage.
- If the refrigerator is disconnected from the power supply, you should wait for at least five minutes before plugging it back in.
- If you have a long vacation planned or do not intend to use the refrigerator for a long period of time, (3 weeks or more) empty the refrigerator, pull out the power plug, close the water valve, wipe excess moisture from the inside walls, and leave the doors open to prevent odors and mold.
  - Letting the refrigerator run long periods of time without using it can cause the insulation to deteriorate and may cause a fire.
- To get the best performance from the product:
  - Do not place food too close to the vents at the rear of the appliance as it can obstruct free air circulation in the refrigerator compartment.
  - Wrap food up properly or place it in airtight containers before putting it into the refrigerator.
  - Do not place glass bottles or carbonated beverages into the freezer. They can freeze and break. Broken beverage containers can cause injury.
- Please observe maximum storage times and expiration dates of frozen goods.
- There is no need to disconnect the refrigerator from the power supply if you will be away for less than three weeks. However, if you will be away for more than three weeks, remove all the food, unplug the refrigerator, close the water valve, wipe excess moisture from the inside walls, and leave the doors open to prevent odors and mold.

- 
- Fill the water tank and ice cube trays with potable water only (tap water, mineral water, or purified water).
  - Do not fill the tank with tea or a Sports drink. This may damage the refrigerator.
  - Do not strike or apply excessive force to any glass surface.
  - Broken glass may result in a personal injury and/or property damage.
- 
-  If the product is flooded, make sure to contact your nearest service center.
  - There is a risk of electric shock or fire.


# Safety information


---


## Cleaning cautions

---

### CAUTION

-  • Do not spray water directly on the inside or outside the refrigerator.
    - There is a risk of fire or electric shock.
  - Do not use a hair dryer to dry the inside of the refrigerator.
  - Do not place a lighted candle in the refrigerator to remove bad odors.
    - This may result in an electric shock or fire.
- 

-  • Use a clean, dry cloth to remove any foreign matter or dust from the power plug blades.
    - Do not use a wet or damp cloth when cleaning the plug.
    - Otherwise, there is a risk of fire or electric shock.
- 

-  • Before cleaning or performing maintenance, unplug the appliance from the wall socket.
  - Failing to do so may result in an electric shock or fire.

---

## Critical disposal warnings

---

### **WARNING**

- **DANGER** : Risk of child entrapment.

Before you throw away your old refrigerator or freezer:

- Take off the doors and door latch.
- Leave the shelves in place so that children cannot easily climb inside.
- Children trapped inside a refrigerator can hurt themselves or suffocate to death.
- Please dispose of the packaging material from this product in an environmentally friendly manner.
- Ensure that none of the pipes on the back of the appliance are damaged prior to disposal.
- R-600a or R-134a is used as a refrigerant. Check the compressor label on the rear of the appliance or the rating label inside the fridge to see which refrigerant is used for your refrigerator.  
If this product contains flammable gas (Refrigerant R-600a), contact your local authority in regard to safe disposal of this product.
- When disposing of this refrigerator, remove the door/door seals and door latch so that small children or animals cannot become trapped inside.  
Children should be supervised to ensure that they do not play with the appliance.  
If trapped inside, the child may get hurt or suffocate to death.
- Cyclopentane is used in the insulation.  
The gases in the insulation material require a special disposal procedure.  
Please contact your local authorities in regard to the environmentally safe disposal of this product.
- Keep all packaging materials well out of the reach of children, as packaging materials can be dangerous to children.
- If a child places a bag over his or her head, the child could suffocate.

# Safety information

---

## Additional tips for proper usage

---



### NOTE

- In the event of a power failure, call the local office of your Electricity Company and ask how long it is going to last.
- Most power failures that are corrected in an hour or two will not affect your refrigerator temperatures. However, you should minimize the number of door openings while the power is off.
- Should the power failure last more than 24 hours, remove and discard all frozen food.
- If a key is provided with refrigerator, the keys should be kept out of the reach of children and not be kept in the vicinity of the appliance.
- The appliance might not operate consistently (frozen contents can thaw or temperatures can become too warm in the frozen food compartment) when sited for an extended period of time in a location where ambient air temperatures are constantly below the temperatures for which the appliance is designed.
- Do not store food which goes bad easily at low temperature, such as bananas and melons.
- Your appliance is frost free, which means there is no need to manually defrost your appliance. This will be carried out automatically.
- Temperature rise during defrosting complies with ISO requirements. But If you want to prevent an undue rise in the temperature of frozen food while the appliance defrosts, wrap the frozen food in several layers of newspaper.
- Any increase in the temperature of frozen food during defrosting can shorten its storage life.
- Do not re-freeze frozen foods that have thawed completely.

# Setting up

## Getting ready to install the refrigerator

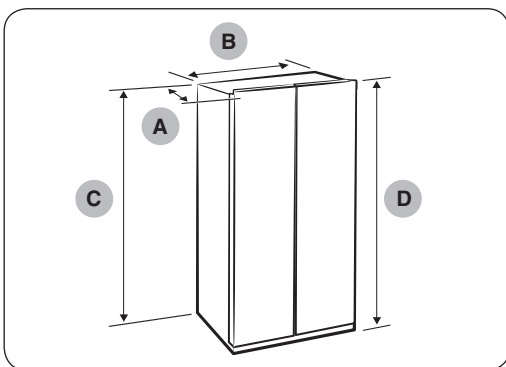
Congratulations on your purchase of this Samsung French Door Refrigerator. We hope you enjoy the state-of-art features and efficiencies that this new appliance offers.

### Selecting the best location for the refrigerator

Choose :

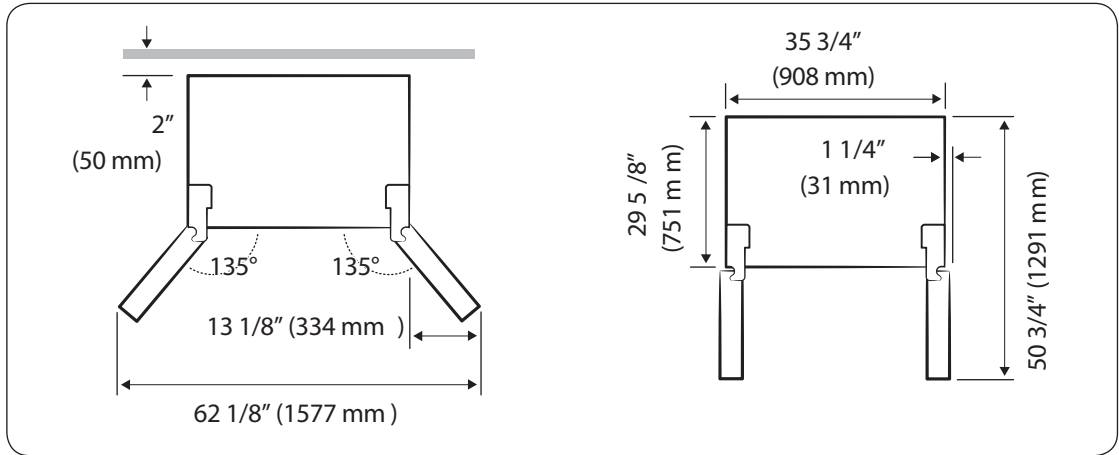
- A location with easy access to a water supply.
- A location without direct exposure to sunlight.
- A location with level (or nearly level) flooring.
- A location with enough space for the refrigerator doors to open easily.
- A location that allows sufficient space to the right, left, back, and top for air circulation. If the refrigerator does not have enough space, it can cause the bad influence to refrigeration efficiency and power consumption.
- A location that allows you to move the refrigerator easily if it needs maintenance or service.
- Do not install the refrigerator in locations where the temperature is over 110 °F (43 °C) or below 50 °F (10 °C).

If your refrigerator is not level, the internal cooling system may not work correctly. Refer to drawing and dimensions below for overall space required for use.



<b>Depth "A"</b>	34" (864 mm)
<b>Width "B"</b>	35 3/4" (908 mm)
<b>Height "C"</b>	68 1/2" (1740 mm)
<b>Overall Height "D"</b>	70" (1776 mm)

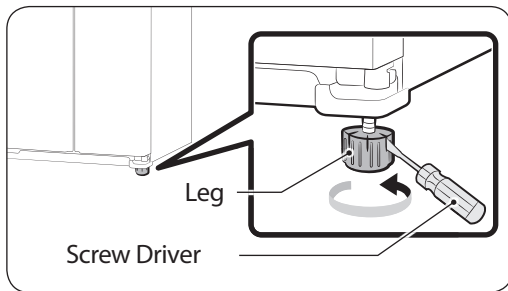
# Setting up



## NOTE

Each measurement based on the design dimension, so it may differ depending on the measuring method.

## When moving your refrigerator



## CAUTION

- To prevent floor damage, be sure the front adjusting legs are in the up position (above the floor). Refer to "Leveling the refrigerator" on page 29.

## Flooring



For proper installation, you must place this refrigerator on a level, hard surface that is the same height as the rest of the floor. This surface should be strong enough to support a fully loaded refrigerator. To protect the finish of the flooring during installation, cut a large section of the cardboard carton and place it under the refrigerator where you are working. When moving the refrigerator, you need to pull and push it straight forwards or back. Do not wiggle it from side to side.

### ⚠ CAUTION

- When installing, servicing or cleaning behind the refrigerator, be sure to pull the unit straight out and push back in straight after finishing.

**Important:** Make sure that you can easily move your refrigerator to its final location by measuring doorways (both width and height), thresholds, ceilings, stairways, etc. The following chart details the exact height and depth of this Samsung Side by Side Refrigerator.

### 📄 NOTE

- Make sure you disconnect the water supply line BEFORE removing the freezer door.

To avoid damage, refer to “2. Separate the water supply line from the refrigerator” in the manual (page 25).

# Setting up

---

## Setting up the refrigerator

---

### Installing the handles

**Important:** If you need to remove the refrigerator's doors to move it into place, install the handles after you put the doors back on.

Take the handles out of the right side door.



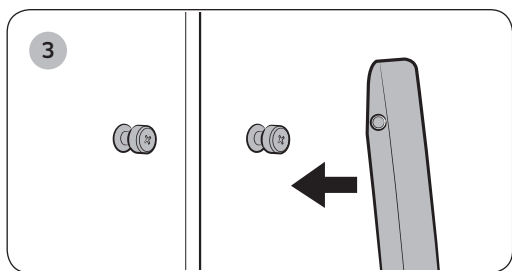
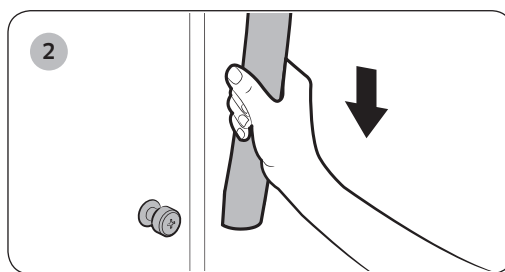
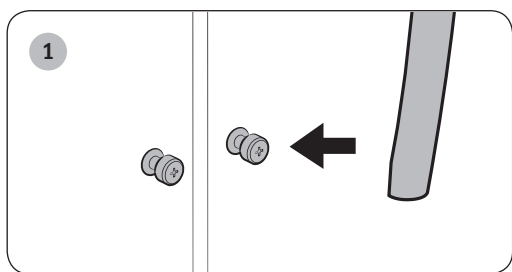
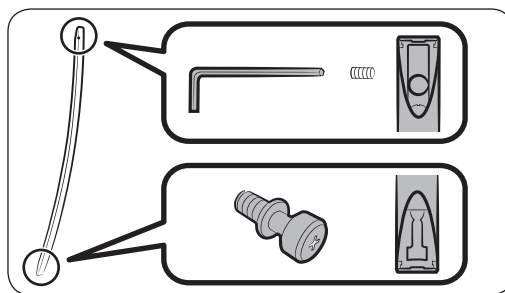
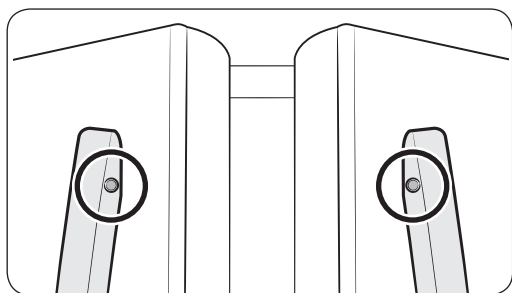
### NOTE

- The handles are included in the package.

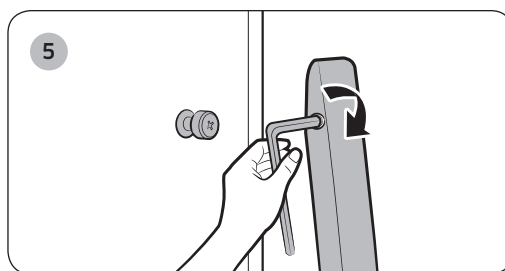
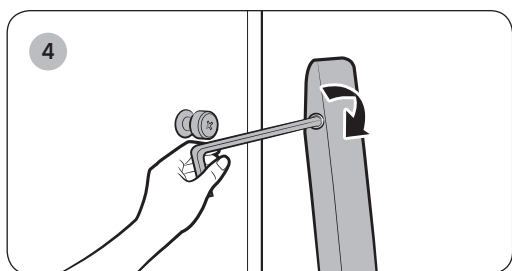
### How to install the handles

Orient each handle so that the end with the sticker attached is at the top and the holes with the tightening screws are facing each other.

Then, follow the directions below to install each handle.



Fix the handles to the doors by sliding them down firmly.



# Setting up

---

## Removing the refrigerator doors

---

If your entrance won't allow the refrigerator to pass easily through it, you can remove the refrigerator doors.

To remove the doors, follow the steps below.

If you do not need to remove the doors, go to "Leveling the refrigerator" on page 29.

### Tools you'll need

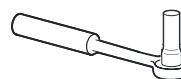
---



Philips Screwdriver



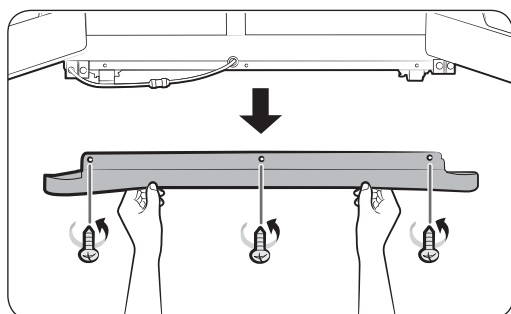
Flat-blade Screwdriver



Socket Wrench  
(13/32") (10 mm)

### 1. Removing the Front Leg Covers

---

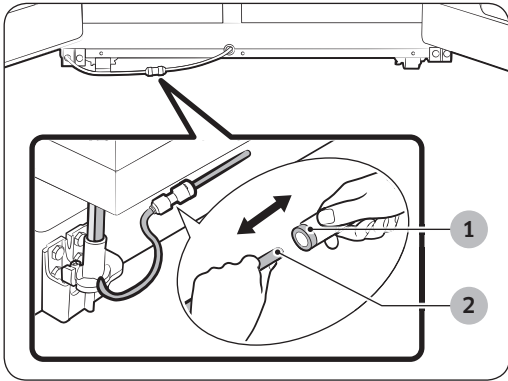


Open both the freezer and refrigerator doors.

Unscrew the three screws holding the front leg cover in place by turning them counter-clockwise.

When the screws are loose, remove the front leg cover.

## 2. Separate the water supply line from the refrigerator



Remove one or two water lines, depending on the model, by pressing each coupler (1) and pulling the water lines (2) away.

### NOTE

- Your refrigerator may have one or two water lines, depending on the model. If it has two, the lines are different colors. Make sure you match the colors when you re-attach them.

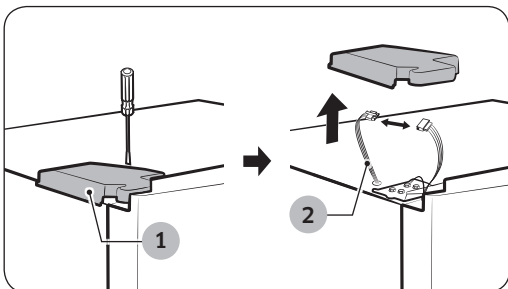
### CAUTION

- Do not cut the water line. Gently separate it from the coupler.

## 3. Remove the freezer door

A few things to mention first.

- Make sure that you lift the door straight up so the hinges are not bent or broken.
- Be careful not to pinch the water tubing and wire harness on the door.
- Place doors on a protected surface to prevent scratching or damage.
- If necessary, have two people disassemble the doors.

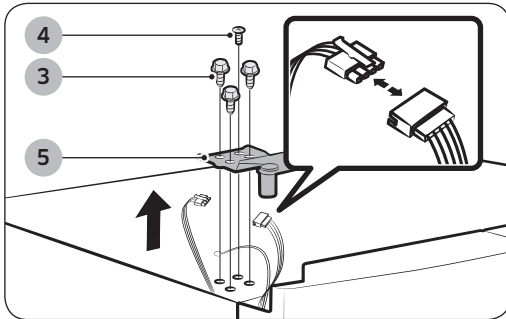


1. With the Freezer door closed, remove the upper hinge cover (1) using a screwdriver, and then disconnect the wires by gently pulling them apart (2).

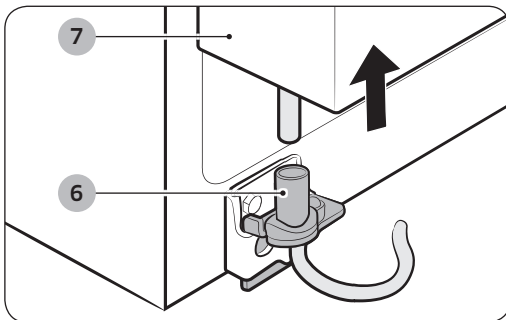
### NOTE

- Be careful not to damage the sensor harness with the hinge cover.

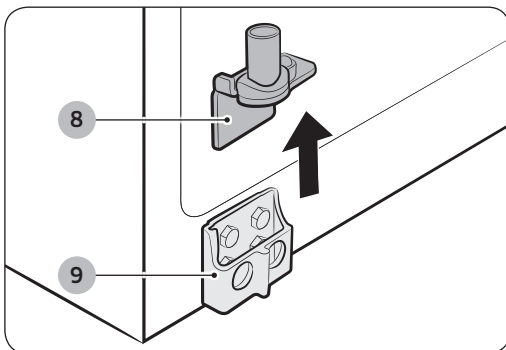
# Setting up



2. Remove the hinge bolts (3) with a 13/32" (10 mm) Socket Wrench. Remove the ground screw (4) by turning it counter-clockwise. Take off the upper hinge (5) in the direction of the arrow. Take care that the door does not fall on you.



3. Open the Freezer door, and then remove the door from the lower hinge (6) by carefully lifting it up (7).

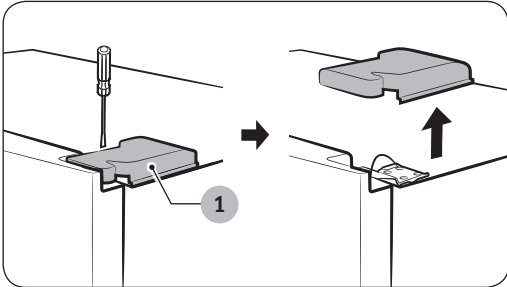


4. Remove the lower hinge (8) from the lower hinge bracket (9) by lifting the lower hinge up in the direction of the arrow.

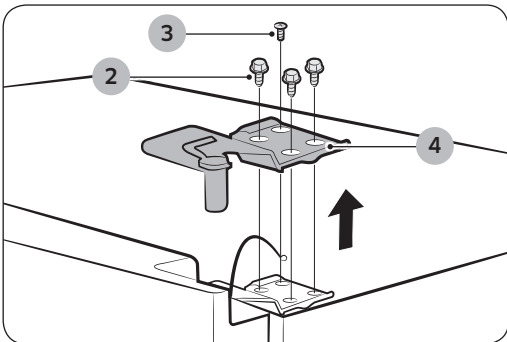
## ⚠ CAUTION

- Make sure to put the water line through the lower hinge before assembling it.

## 4. Remove the fridge door



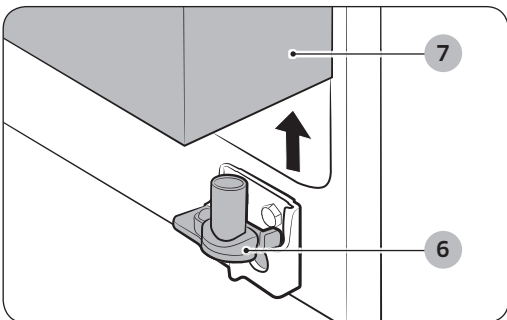
1. With the door closed, remove the upper hinge cover (1) using a screwdriver.



2. Remove the hinge bolts (2) with a 13/32" (10 mm) Socket Wrench. Remove the ground screw (3) by turning it counter-clockwise. Take off the upper hinge (4) in the direction of the arrow. Take care that the door does not fall on you.

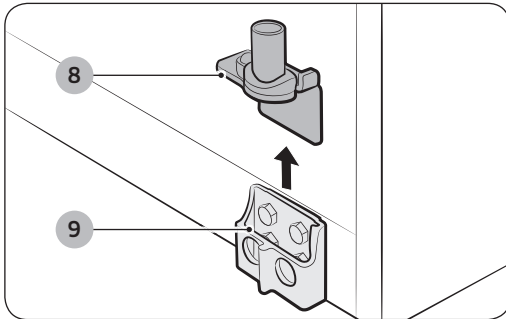
### **⚠ CAUTION**

- Do not remove the sensor assembled in the right upper hinge cover.



3. Remove the door from the lower hinge (6) by lifting the door (7).

# Setting up



4. Remove the lower hinge (8) from the lower hinge bracket (9) by lifting the lower hinge up in the direction of the arrow.

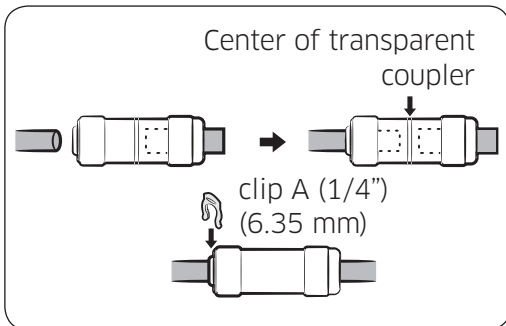
## Re-attaching the Fridge Door

To re-attach the fridge door, replace parts in reverse order.

## Re-attaching the Freezer Door

To re-attach the freezer door, replace parts in reverse order.

## Re-attaching the Water Supply Lines



1. The Water Lines must be fully inserted into the center of the transparent coupler to prevent water leakage from the dispenser.
2. Insert the 2 clips in the install pack as shown below, and then confirm that each clip holds the line firmly.

### CAUTION

- Make sure the color of the water lines match.

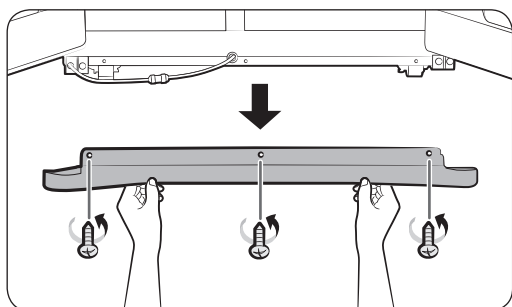
## Leveling the refrigerator

Make sure the refrigerator is level so that you can make final adjustments. Use a level to test if the refrigerator is level both side to side and back to front. If the refrigerator is not level, you will not be able to get the doors perfectly even, which may cause moisture condensation and increased energy bills.

### NOTE

- The front of the refrigerator is also adjustable.

Before levelling the refrigerator, remove the front leg cover.

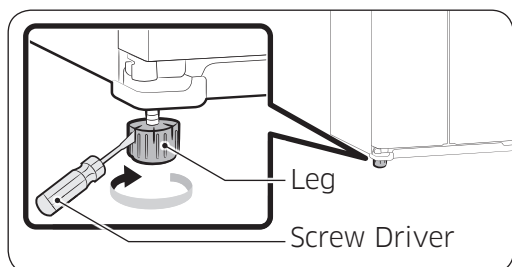


Open both the freezer and refrigerator doors. Unscrew the three screws holding the front leg cover in place by turning them counter-clockwise. When the screws are loose, remove the front leg cover.

When the Freezer part is lower than the Fridge part.

Insert a flat-blade screwdriver into a slot on the Freezer Leg, then turn it clockwise.

When the Fridge part is lower than the Freezer part.



Insert a flat-blade screwdriver into a slot on the Fridge Leg, then turn it clockwise.

### NOTE

- Refer to the next section for the best way to make very minor adjustments to the doors.

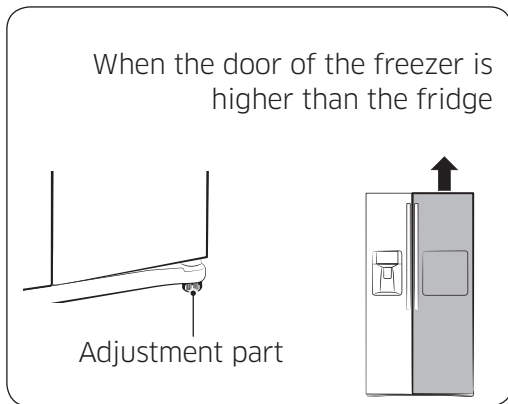
# Setting up

## Making minor adjustments between doors

A level refrigerator is necessary for getting the doors perfectly even.

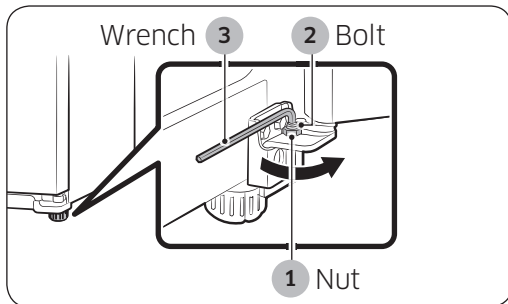
Make sure your refrigerator is level before you begin.

If you need help leveling, review the previous section on leveling the refrigerator.



The process for adjusting each door is the same.

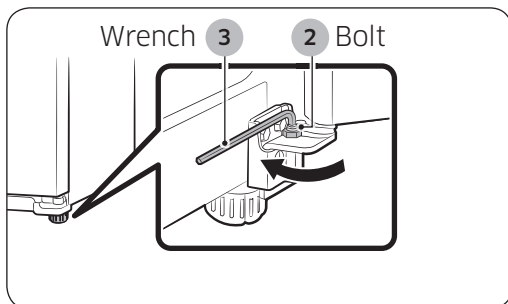
Open the doors and adjust them, one at a time, as follows:



1. Unscrew the nut (1) from the lower hinge until it reaches the upper end of the bolt (2).

### NOTE

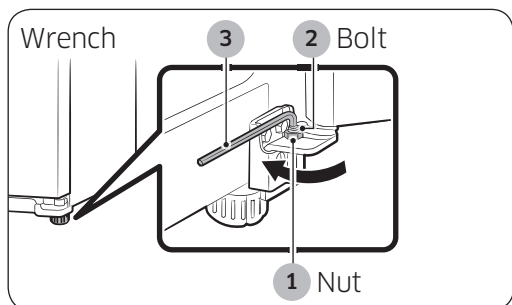
- When you release the nut (1), make sure that you use the hex wrench provided (3) to loosen the bolt (2) in a counter-clockwise (↺) direction. You should then be able to unscrew the nut (1) with your fingers.



2. Adjust the height difference between the doors by turning the bolt (2) clockwise (↻) or counter clockwise (↺).

### NOTE

- When you turn clockwise (↻), the door will move up.



- After adjusting the doors, turn the nut (1) clockwise (↻) until it reaches the lower end of the bolt, then tighten the bolt again with the wrench (3) to fix the nut in place (1).

#### NOTE

- If you do not secure the nut firmly, the bolt may release.

## Installing the water dispenser line

A water dispenser is one of the helpful features on your new Samsung Refrigerator. To help promote better health, the Samsung water filter removes unwanted particles from your water.

However, it does not sterilize or destroy microorganisms.

You may need to purchase a water purifying system to do that.

The water line also connects to the ice maker.

For the ice maker to operate properly, water pressure of 20 ~ 125 psi (138 ~ 862 kPa) is required.

If the refrigerator is installed in an area with low water pressure (below 20 psi), you can install a booster pump to compensate for the low pressure.

After you have connected the water line, make sure the water storage tank inside the refrigerator is properly filled.

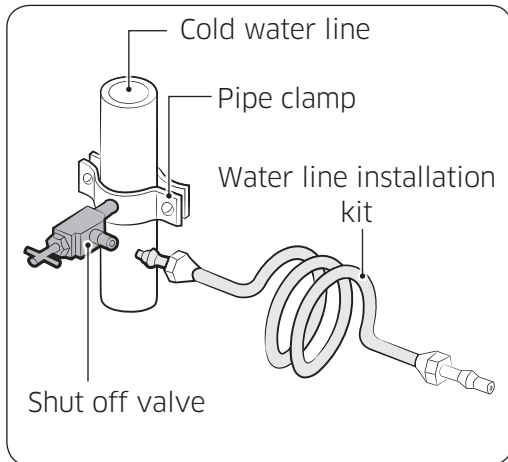
To do this, press the water dispenser lever until water runs from the water dispenser.

#### NOTE

- Water line installation kits are available at extra cost from your dealer. We recommend using a water supply kit that contains copper tubing.

# Setting up

## Connecting to the water supply line



1. First, shut off the main water supply line and turn the ice-maker off.

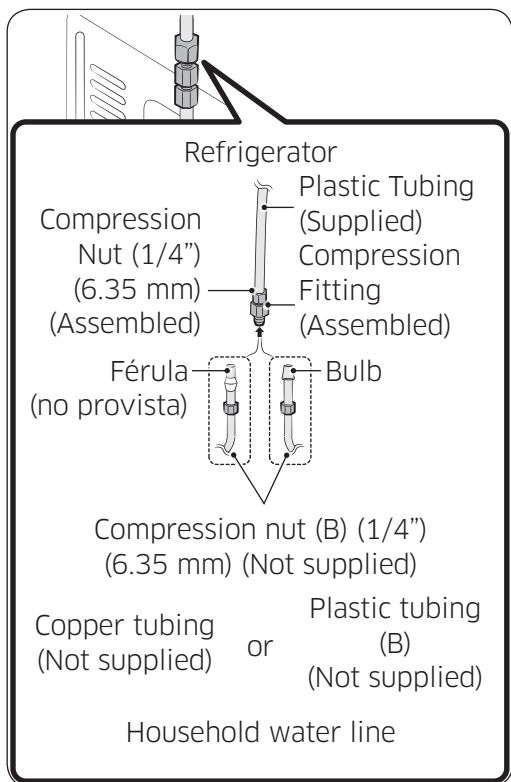
### NOTE

- The refrigerator should NOT be plugged in at this point.
2. Locate the nearest cold water drinking water line.
  3. Install the pipe clamp and shut off valve.
  4. Connect the water line installation kit to the shut off valve.

## Connecting the water supply line to the refrigerator

There are several items that you need to purchase to complete this connection. You may find these items sold as a kit at your local hardware store.

<b>Use Copper Tubing</b>	1/4" (6.35 mm) copper tubing
	1/4" (6.35 mm) compression nut (1pc)
	Ferrule (2pc)
<b>Use Plastic Tubing</b>	1/4" (6.35 mm) plastic tubing → Molded end (Bulb)
	1/4" (6.35 mm) compression nut (1pc)



1. Connect the household water line to the assembled compression fitting.
  - If you are using copper tubing, slip the compression nut (B) (not supplied) and ferrule (not supplied) on the copper tubing (not supplied) as shown.
  - If you are using plastic tubing (B), insert the molded end (Bulb) of the plastic tubing (B) into the compression fitting.

**⚠ CAUTION**

- Do not use plastic tubing (B) without the molded end (Bulb).

2. Tighten the compression nut (B) onto the compression fitting.  
Do not over-tighten the compression nut (B).
3. Turn the water on and check for any leaks inside the refrigerator, around the water filter, and in any connection areas. If you find water drops or leaks, turn off the main water supply. If the leaks are in the connection areas, check the connections and, if necessary, tighten. If there are leaks in the refrigerator, check the water filter and confirm it is in the locked position. Turn on the water supply and check for leaks again.
4. Plug in the refrigerator.

# Setting up

---

5. Flush 3 gallons of water through the filter before drinking or using the water from the refrigerator.  
(Flush approximately 6 minutes.)  
This will clean the water supply system and remove air from the lines.

To flush, press the Water button, and then press a large glass or cup against the water dispenser lever. Fill the glass, empty it into the kitchen sink after it is filled, and then repeat.

 **NOTE**

- Additional flushing may be required in some households.
6. Open the refrigerator door and make sure there are no water leaks coming from the water filter.

 **NOTE**

- After you turn on the refrigerator, let the ice maker make ice for 1 to 2 days.  
Over that period of time, throw out the first 1 or 2 buckets of ice the ice maker makes to ensure all impurities have been removed from the water line.
- Only connect the water line to a drinkable water source.
- If you have to repair or disassemble the water line, cut off 1/4" (6.35 mm) of the plastic tubing to make sure you get a snug, leak-free connection.
- You can test the water line quickly using a paper cup. Under normal conditions, the water dispenser can fill a 5.75 oz. (170 cc) cup in about 10 seconds.

---

## Completing the set up

---

Now that you have your new refrigerator installed in place, you are ready to set up and enjoy the features and functions of the appliance.

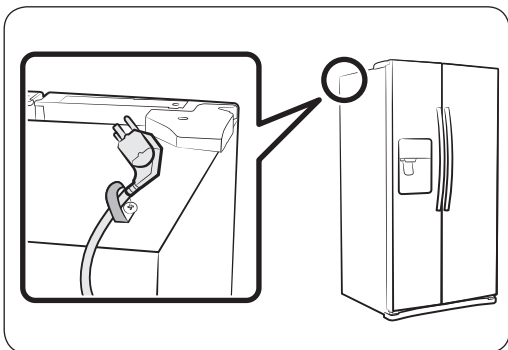
By completing the following steps, your refrigerator should be fully operational.

1. Make sure your refrigerator is in an appropriate location with reasonable clearance between it and the wall. Refer to installation instructions in this manual.
2. Once the refrigerator is plugged in, make sure the interior light comes on when you open the doors.
3. Set the Temperature control to the coldest temperature and wait for an hour. The freezer will get slightly chilled and the motor will run smoothly. Reset the refrigerator and freezer to the temperatures you want.
4. After you plug the refrigerator in, it will take a few hours to reach the appropriate temperature. You can store food and drinks in the refrigerator after the temperature is sufficiently cool.

### NOTE

- If condensation or water drops appear on both sides of the fridge door's central part, turn the Energy Saver mode off after removing the condensation. (See the explanation of the Energy Saver button in "Using the control panel" on page 38.)

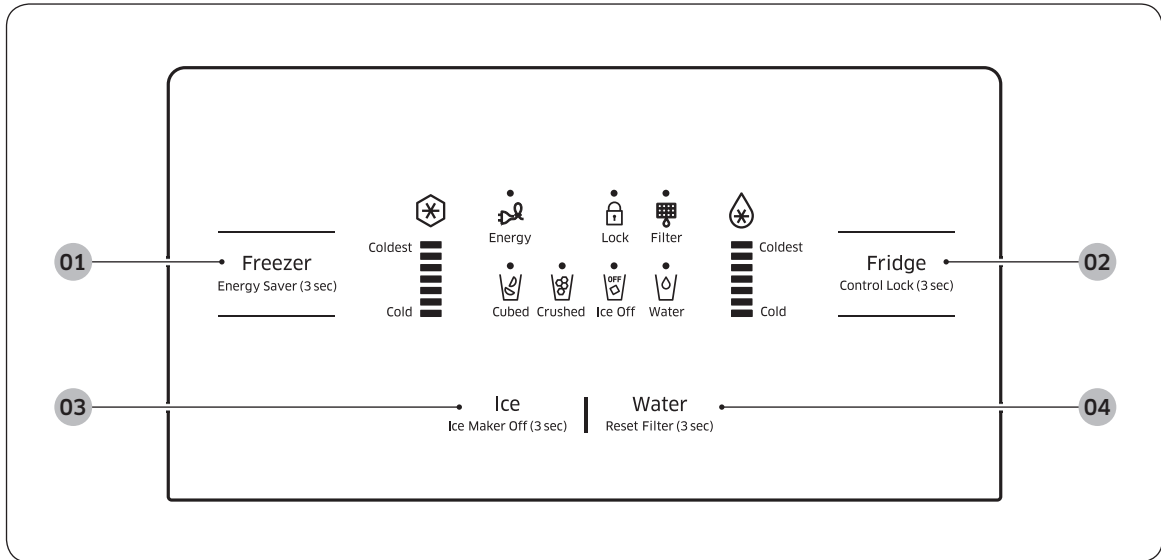
### Preventing Power Cord Damage



To prevent power cord damage, fix any excess power cord to the top rear of the refrigerator as shown in the illustration below.

# Operating

## Checking the control panel



### 01 Freezer / Energy Saver (3 sec)

Press the **Freezer** button to set the freezer temperature between cold and coldest.

Press Freezer button for several times to activate the Power Freeze icon which speeds up the freezing process in the freezer. This can be helpful if you need to quickly freeze items that spoil easily or if the temperature in the freezer has warmed dramatically (For example, if the door was left open).

If you need to freeze a large amount of food, activate the Power Freeze function at least 20 hours before you put the food into the freezer.

Press and hold the **Freezer** button for 3 seconds to activate the Energy Saver function for better energy efficiency.

If condensation occurs on the doors, turn the Energy Saver function off.

<b>02</b> Fridge / Control Lock (3 sec)	<p>Press the <b>Fridge</b> button to set the Fridge temperature between cold and coldest.</p> <p>Press and hold the Fridge button for several times to activate the Power Cool function which speeds up the cooling process in the refrigerator.</p> <p>If you press and hold the <b>Fridge</b> button for 3 seconds, all buttons will be locked and the dispenser pad will not work.</p>
<b>03</b> Ice / Ice Maker Off (3 sec)	<p>Press the <b>Ice</b> button to select cubed ice or crushed ice.</p> <p>Press and hold the <b>Ice</b> button for 3 seconds to turn the ice making function off. Press and hold the Ice button again for 3 seconds to turn the ice making function back on.</p> <p>Note that Ice Maker Off mode will be deactivated if you press and hold the ice lever (marked "ICE" on the lever) for more than 5 seconds.</p>
<b>04</b> Filter (3 sec) Water / Reset	<p>Press the <b>Water</b> button to turn the water dispenser on.</p> <p>Press and hold the <b>Water</b> button for 3 seconds after changing the filter to reset the water filter indicator.</p>

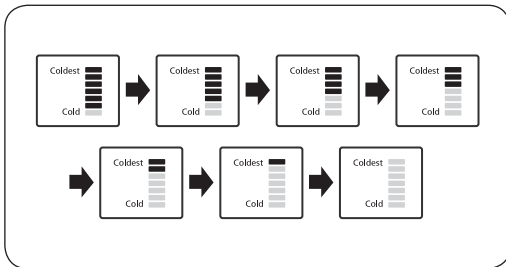
#### NOTE

- To deactivate the secondary functions (such as Ice Off and Control Lock), press and hold the corresponding button again for 3 seconds.

# Operating

## Using the control panel

### Freezer / Fridge (Temperature adjustment)



Press the **Freezer** or **Fridge** button until the desired temperature is set.

For a lower temperature, press the **Freezer** or **Fridge** button until more LEDs light (colder).

For a higher temperature, press the **Freezer** or **Fridge** button until fewer LEDs light (less cold).

Each time you press the **Freezer** or **Fridge** button, the temperature indicator changes in the order shown below.



#### Power Freeze

This icon lights when you activate the Power Freeze function. Power Freeze function generates cool air for 50 hours continuously, chilling the freezer more quickly.

This function is useful when you need to decrease the temperature in the freezer quickly or to make more ice rapidly.

When the freezer is cold enough or you have enough ice, just press the Freezer button again to cancel the Power Freeze function.

#### NOTE

- When you use this function, the energy consumption of the refrigerator may increase.

Remember to turn it off when you do not need it and return the freezer to your original temperature setting.










#### Energy Saver

This icon lights when you activate the Energy Saver function.

The Energy Saver function is automatically set to "ON" when power is supplied to the Refrigerator.

If condensation occurs on the doors, turn the Energy Saver function off.

 Control Lock	<p>This icon lights when you activate the Lock function. When the Lock icon is lit, all the panel buttons, including the Ice button and the dispensers, are locked and de-activated.</p> <p>Press and hold the Fridge button for 3 seconds to turn Lock off and re-activate the panel buttons.</p>
 Filter Indicator	<p>This icon turns red when you need to change the filter, usually after the refrigerator has dispensed about 300 gallons of water (or after about 6 months).</p> <p>The icon will blink red for several seconds when you open or close the door.</p> <p>The filter Indicator will be Off when you initially insert the water filter.</p>
 Power Cool	<p>This icon lights when you activate the Power Cool function. Power Cool function is great for a quick fridge cool down.</p> <p>If you activate the Power Cool function, the inside temperature of the Fridge decreases for about two and a half hours.</p> <p>When you want to turn Power Cool off, press Fridge button again.</p>
 Cubed   Crushed	<p>Enjoy cubed or crushed ice by selecting your preference from the digital control panel.</p> <p>The ice type light indicates the type of ice that is currently chosen.</p>
 Ice Off	<p>This icon lights when you activate the Ice Off function.</p> <p>When the Ice Off icon is lit, the ice maker is turned off.</p>
 Water	<p>This icon lights when you activate the Water function.</p> <p>When the Water icon is lit, the water dispenser is on.</p>

# Operating

Display Off	To conserve energy, the Panel Display turns off automatically under the following conditions: When no button has been pressed, when no doors have been opened, or when no Dispenser Lever has been pushed for a period of time. However, the icon indicating your Water or Cubed / Crushed selection, stays on. When you press a button, open a door, or push a Dispenser Lever, the Panel Display turns on again. Except for the Water and Ice buttons, all function buttons will become operational after you remove your finger from the button you are currently pressing.
-------------	---

## CAUTION

- If the refrigerator's water supply line is not connected and water is not being supplied to the refrigerator, the refrigerator will make unusual noises if the ice maker is on or if you push the water dispenser lever.  
To stop the noises, press the Ice button until the Ice Off icon lights up (at least 3 seconds) indicating that the ice maker is off.  
If the water line is connected, and your refrigerator is making unusual noises, see if the water supply valve on the line connected to your refrigerator is closed, preventing water from flowing into the refrigerator.  
If the valve is closed, open the valve.

## Cooling Off Mode (Demo Mode/Shop Mode)

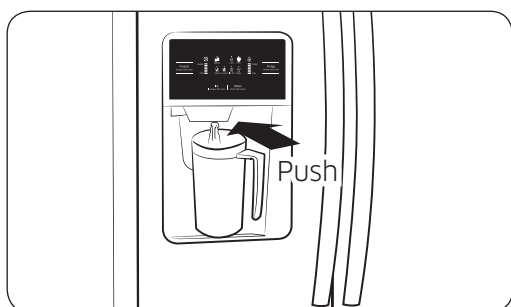
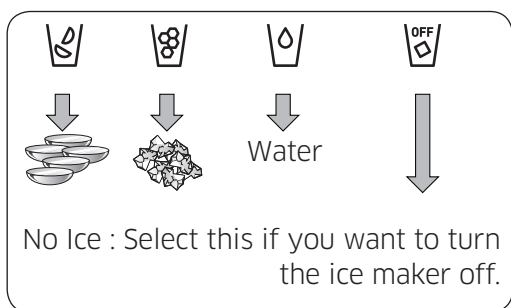
### NOTE

- Cooling Off mode (also called Shop mode or Demo mode) is designed for use by retailers when they display refrigerators on the shop floor.  
In Cooling Off mode, the refrigerator's fan motor and lights work normally, but the compressors do not run, and the refrigerator and freezer do not get cold.
- To start Cooling Off mode, Press and hold the Freezer button, the Ice button and the Fridge button for 5 seconds during normal operation.  
The refrigerator chime sounds and Animaiton(Freezer/Fridge Temperature Indicator moveing) appears on the display.

**⚠ CAUTION**

- If your refrigerator appears to be working, but it is not cooling, and the Freezer and Fridge Temperature Indicators are moving, the Fridge is in Cooling Off mode. To cancel Cooling Off mode, follow the directions above.

## Using the ice and cold water dispenser



### Using the water dispenser

Press the Water button on the control panel. Place your glass under the water outlet, and then push against the dispenser pad until you hear a click. Make sure the glass is in line with the dispenser to prevent the water from splashing out.

# Operating

---

## To get colder water

- The dispensed water is cool, not icy cold.
- When you want colder water, dispense ice into your glass first before filling it with water to prevent water from splashing out.

## Using the ice dispenser

Press the Ice button to select the type of ice you want.

Place your glass under the ice outlet, and then push gently against the dispenser pad.

Make sure the glass is in line with the dispenser to prevent the ice from bouncing out.

When cubed ice is selected after you have dispensed crushed ice, a small amount of residual crushed ice might be produced.

---

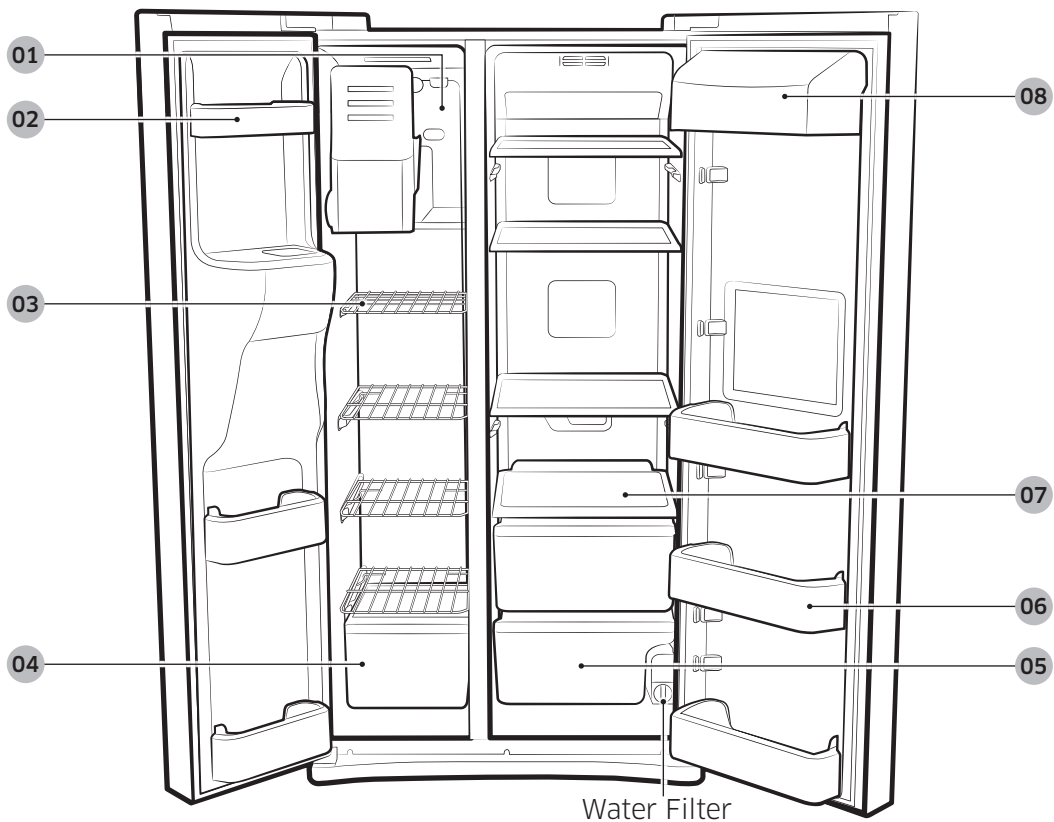
## Storing food

---

The Samsung Side-By-Side Refrigerator has been designed to provide you with maximum space saving features and functions.

Here are some of the customized compartments we have created to keep your food fresher, longer.

**Important** : To prevent odors from penetrating the ice in the ice maker, store all food securely in wraps or containers that are as airtight as possible.



### CAUTION

- Because the following operating instructions cover various models, the instructions for your refrigerator may differ slightly from the instructions in this manual.

# Operating

## Storing Food in the Freezer

<b>01</b> Xtra Space	Can be used for frozen foods such as pizza, pasta, burritos, and fajitas. To prevent odor penetration of the ice, stored food should be wrapped securely.
<b>02</b> Door Bins	Can be used for small packages of frozen food.
<b>03</b> Shelves	Can be used to store frozen food.
<b>04</b> Freezer Drawer	Best used for storing meat or other frozen items. For safe keeping, stored food should be wrapped securely in foil or other suitable wrapping materials or containers.

## Storing Food in the Fridge

<b>05</b> Fruit & Vegetable Drawer	Used to preserve the freshness of your stored vegetables and fruits.
<b>06</b> Door Bin	Designed to handle large, bulky items such as gallons of milk or other large bottles and containers.
<b>07</b> Glass Shelf	Designed to be crack-resistant. They can be used to store food and drinks. Circular marks on the glass surface are a normal phenomenon and can usually be wiped clean with a damp cloth.
<b>08</b> Dairy Bin	Can be used to store smaller dairy items like butter or margarine, yogurt, or cream-cheese bricks.

### **NOTE**

- Bottles should be stored tightly together so that they do not tip and fall out when the refrigerator door is opened.

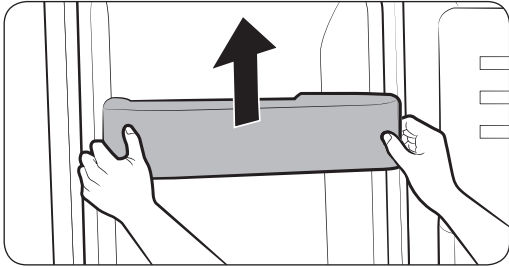
### **WARNING**

- If you plan to go away for a significant time, empty the refrigerator and turn it off. Wipe the excess moisture from the inside of the appliance and leave the doors open. This helps keep odor and mold from developing.
- If the refrigerator is not to be used for a long period of time, pull out the power plug.
  - Deterioration of the power cord insulation may cause fire.

---

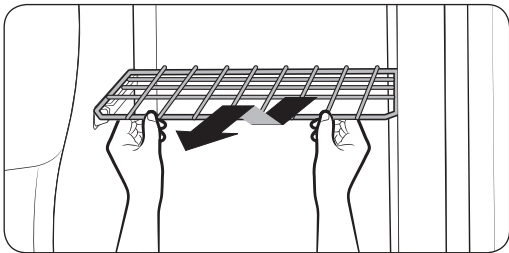
## Removing the freezer/fridge accessories

---



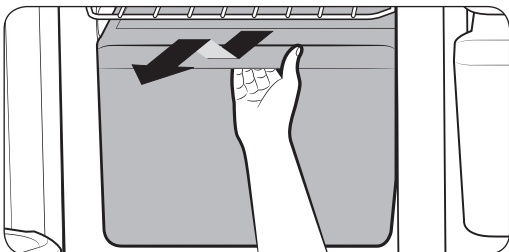
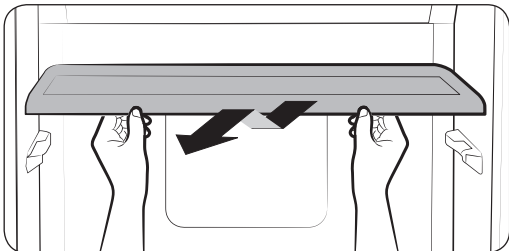
### 1. Door Bins

To remove, firmly grab the door bin with both hands and lift it up gently.



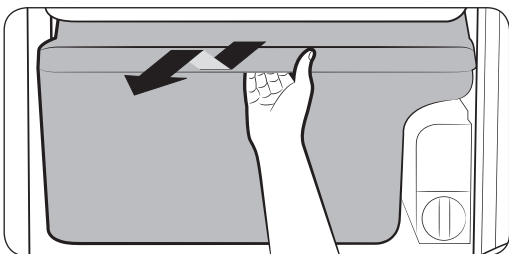
### 2. Shelves

Pull the shelf out as far as it goes. Then lift it up and remove it.  
(Wire Shelf/Glass Shelf)



### 3. Drawer

To remove, pull the drawers out as far as they go, and then lift up slightly and pull.  
(Drawer/Fruit & Vegetable Drawer)



# Operating

---

## Cleaning the refrigerator

---

Caring for your Samsung Side-By-Side Refrigerator prolongs the life of your appliance and helps keep it odor and germ-free.

### Cleaning the Interior

---



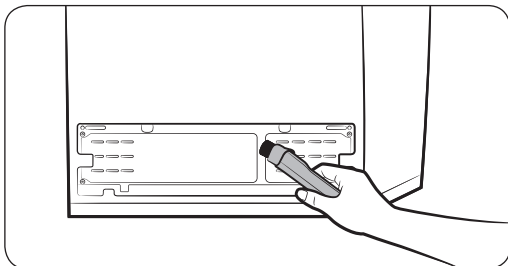
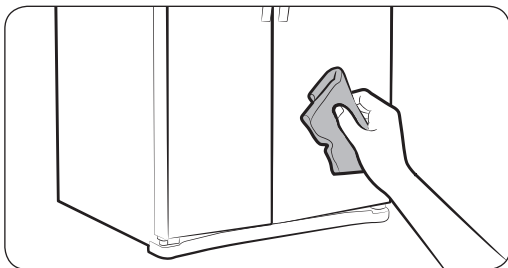
Clean the inside walls and accessories with a mild detergent, and then wipe dry with a soft cloth.

You can remove the drawers and shelves for a more thorough cleaning.

Just make sure to dry them before putting them back into place.

### Cleaning the Exterior

---



Wipe the digital panel and display panel with a clean, soft cloth.

Spray water onto the cleaning cloth instead of spraying directly on the surface of the refrigerator. This helps ensure an even distribution of moisture on the surface.

The doors, handles, and cabinet surfaces should be cleaned with a mild detergent, and then wiped dry with a soft cloth.

To keep your appliance looking its best, the exterior should be polished once or twice a year.

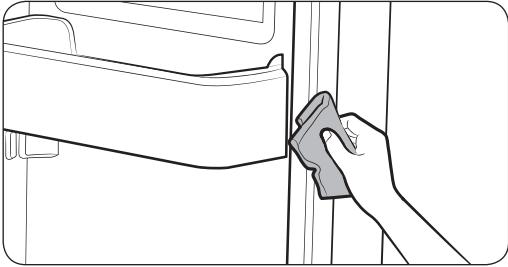
#### **WARNING**

- Do not use Benzene, Thinner, or Clorox (bleach)<sup>™</sup> for cleaning. They may damage the surface of the appliance and can create a risk of fire.

---

## Cleaning the rubber door seals

---



If the rubber door seals are dirty, the doors may not close properly, and the refrigerator will not operate efficiently. Keep the door seals free of grit or grime by cleaning the doors with a mild detergent and damp cloth. Wipe dry with a clean, soft cloth.

### CAUTION

- Do not spray the refrigerator with water while it is plugged in, as it may cause an electric shock.  
Do not clean the refrigerator with benzene, thinner, or car detergent as there is a risk of fire.

---

## Changing the LED type lighting

---

### CAUTION

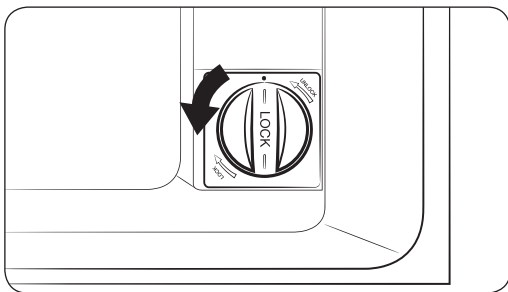
- Do not disassemble or replace the LED type lighting.  
To change the LED type lighting, contact a Samsung service center.

# Operating

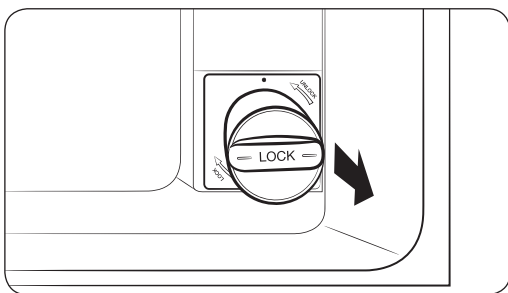
## Changing the water filter

### NOTE

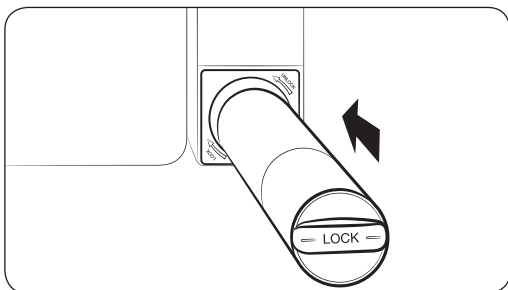
- Replace the water filter when the water filter indicator turns red. The water filter is located on the bottom right side of the refrigerator.
- To make changing the water filter easier, you may want to shut off the water supply, and then drain any water remaining in the water line by pressing the Water button and then pressing a glass against the water dispenser pad.



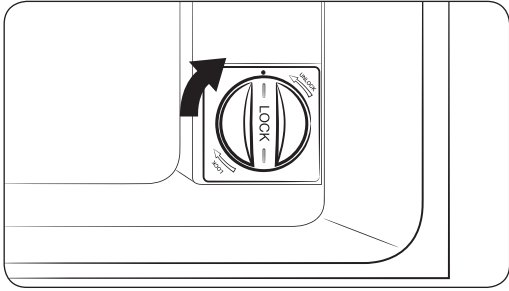
1. Turn the water filter 90° counter-clockwise.



2. Pull the water filter out of the filter housing.



3. Insert a new water filter into the filter housing.



**4.** Turn the new water filter 90° clockwise.

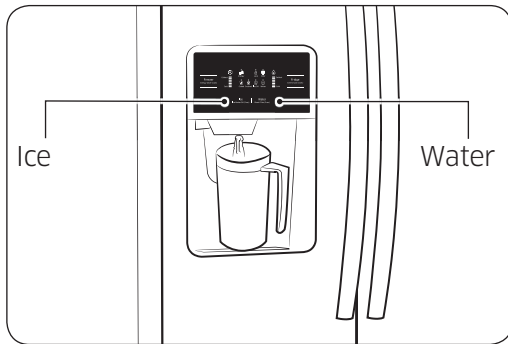
- 5.** Press and hold the Water button for 3 seconds after changing the filter to reset the filter indicator. Confirm the indicator turns blue. When you replace the water filter, some water may leak from the water filter housing. Make sure to wipe up any leakage that may have occurred.

# Operating

---

## Removing residual matter from inside the water supply line after installing a new filter

---



1. Turn ON the main water supply.
2. Press the Water button on the control panel. Place a cup or glass under the water outlet, and then push the cup or glass against the dispenser pad until you hear a “click”.
3. Flush 3 gallons of water through the filter.  
(Flush approximately 6 minutes.)  
This will clean the water supply system and remove air from the lines.
4. Additional flushing may be required in some households.
5. Open the refrigerator door and make sure there are no water leaks coming from the water filter.

### NOTE

- A newly installed water filter cartridge may cause water to briefly spurt from the water dispenser.  
This is the result of air getting into the line.  
It poses no problem to the operation of the refrigerator.

## Food storage tips

Foods	Refrigerator	Freezer	Storage Tips
<b>Dairy products</b>			
Butter	2-3 Weeks	6-9 Months	Wrap or cover tightly.
Milk	1-2 Weeks	Not recommended	Check date code. Most milk and similar products are sold in date-coded cartons that indicate a product's peak freshness. Re-seal with cap or wrap tightly. Do not return unused portions to original container.
Cream Cheese, cheese food, and cheese spread	2-4 Weeks	Not recommended	Check date code. Keep all cheese tightly packed in moisture proof wrap
Hard Cheese (unopened)	3-4 Months	6 Months	
Hard Cheese (opened)	2 Months	Not recommended	
Cottage Cheese	10-15 Days	Not recommended	
Cream	7-10 Days	2 Months	Check date code. Most yogurt, creams, and similar products are sold in date-coded cartons that indicate a product's peak freshness. Re-seal or cover tightly. Do not return unused portions to original container.
Sour Cream	2 Weeks	Not recommended	
Cream Dips (opened)	1 Week	Not recommended	
Yogurt	10-14 Days	Not recommended	Check date code. Keep covered.
Frozen Yogurt	na	2 Months	
<b>Eggs</b>			
Eggs (uncooked)	3-4 Weeks	Not recommended	Check date code. Store eggs in coldest part of refrigerator and in their original container.
Eggs (cooked)	1 Week	Not recommended	Store in covered container
Leftover egg dishes	3-4 Days	Not recommended	Store in covered container

# Operating

Foods	Refrigerator	Freezer	Storage Tips
<b>Fresh fruits</b>			
Apples	1 Month	Not recommended	If storing in refrigerator, do not wash fruit before storing. Store in moisture resistant bags or containers. Wrap cut fruits. Some fruits darken when refrigerated.
Bananas	2-4 Days	Not recommended	
Peaches, Melons, Pears, Avocados	3-5 Days	Not recommended	
Berries and Cherries	2-3 Days	12 Months	
Apricots	3-5 Days	Not recommended	
Grapes	2-5 Days	na	
Pineapple (un-cut)	2-3 Days	Not recommended	
Pineapple (cut)	5-7 Days	6-12 Months	
Citrus	1-2 Weeks	Not recommended	Store uncovered.
Juice	6 Days	Not recommended	Check date code and re-seal in original container. Do not return unused portions to original container.
Frozen Juice	Thawing only	12 Months	Check date code. Do not re-freeze.
<b>Fish and shellfish</b>			
<b>Fish</b>			
Fatty Fish (mackerel, trout, salmon)	1-2 Days	2-3 Months	Keep in original wrapper and store in coldest part of refrigerator. Package in vapor-proof and moisture proof wrap for freezer. Freeze at 0 °F (or -18 °C). Thaw in refrigerator or check date code. Freeze in original packaging.
Lean Fish (cod, flounder, etc)	1-2 Days	6 Months	
Frozen or Breaded	na	3 Months	
<b>Shellfish</b>			
Shrimp (uncooked)	1-2 Days	12 Months	To freeze, package in vapor-proof and moisture-proof container.
Crab	3-5 Days	10 Months	
Cooked Fish or Shellfish	2-3 Days	3 Months	

Foods	Refrigerator	Freezer	Storage Tips
<b>Meat</b>			
<b>Fresh, Uncooked</b>			
Chops	2-4 Days	6-12 Months	Check date code for use. Store in coldest part of refrigerator in original packaging. Package in moisture-proof and vapor-proof container for freezing. Recommended refrigerator temperature 33 °F to 36 °F (or 1 °C to 2 °C) and freezer temperature 0 °F to 2 °F (or -18 °C to -16 °C)
Ground	1 Day	3-4 Months	
Roast	2-4 Days	6-12 Months	
Bacon	1-2 Weeks	1-2 Months	
Sausage	1-2 Days	1-2 Months	
Steak	2-4 Days	6-9 Months	
Poultry	1 Day	12 Months	
Lunch meat	3-5 Days	1 Month	
<b>Cooked</b>			
Meat	2-3 Days	2-3 Months	Check date code for use. Store in coldest part of refrigerator in original packaging. Package in moisture-proof and vapor-proof container for freezing.
Poultry	2-3 Days	4-5 Months	
Ham	1-2 weeks	1-2 Months	

### Sources:

American Meat Institute Foundation. 1994. Yellow pages: answers to predictable questions consumers ask about meat and poultry. American Meat Institute Food Marketing Institute. 1999. The food keeper. Food Marketing Institute, Washington, D.C. Freeland-Graves, J.H. and G.C. Peckham. 1996. Foundations of food preparation, 6th ed. Prentice-Hall, Inc. Englewood Cliffs, NJ. Hillers, V.N. 1993. Storing foods at home. Washington State University Cooperative Extension, Pullman, WA. Publ. EB 1205. National Restaurant Association. 2001. Be cool-chill out! Refrigerate promptly. National Restaurant Association Education Foundation. International Food Safety Council, Washington, D.C. USDA. 1997. Basics for handling food safely. U.S. Department of Agriculture, Food Safety and Inspection Service, Washington, D.C.

# Troubleshooting

Problem	Solution
The refrigerator does not work at all or it does not chill sufficiently.	<ul style="list-style-type: none"> <li>• Confirm that the power plug is properly connected.</li> <li>• Is the temperature control on the display panel set to the correct temperature? Try setting it to a lower temperature.</li> <li>• Is the refrigerator in direct sunlight or located too near a heat source?</li> <li>• Is the back of the refrigerator too close to the wall and therefore keeping air from circulating?</li> <li>• Check if the Cooling Off Mode is on. If the Freezer/Fridge temperature indicator is moving, refer to page 40 to cancel the Cooling Off Mode.</li> </ul>
The food in the fridge is frozen.	<ul style="list-style-type: none"> <li>• Is the temperature control on the display panel set to the correct temperature? Try setting it to a warmer temperature.</li> <li>• Is the temperature in the room very low?</li> <li>• Did you store the food with a high water content in the coldest part of the fridge?</li> </ul>
You hear unusual noise or sounds.	<ul style="list-style-type: none"> <li>• Confirm that the refrigerator is level and stable.</li> <li>• If the refrigerator's water supply line is not connected and water is not being supplied to the refrigerator, the refrigerator will make unusual noises if the ice maker is on or if you push the water dispenser lever. To stop the noises, press the Ice button for at least 3 seconds until the Ice Off icon lights indicating that the ice maker is off.</li> <li>• You hear a ticking sound from inside the refrigerator. This is normal and occurs because various parts in the refrigerator's interior contract or expand in response to temperature changes.</li> </ul>
The front corners of the appliance are hot and condensation is occurring.	<ul style="list-style-type: none"> <li>• Some heat is normal as anti-condensators are installed in the front corners of the refrigerator to prevent condensation.</li> <li>• Is the refrigerator door ajar? Condensation can occur when you leave the door open for a long time.</li> </ul>

Problem	Solution
Ice is not dispensing.	<ul style="list-style-type: none"> <li>• Did you wait for 12 hours after installation of the water supply line before making ice?</li> <li>• Is the water line connected and the shut-off valve open?</li> <li>• Did you manually stop the ice making function? Make sure Ice Type is set to Cubed or Crushed.</li> <li>• Is there any ice clumped in the ice maker bucket?</li> <li>• Is the freezer temperature too warm? Try setting the freezer temperature lower.</li> </ul>
You can hear water bubbling in the refrigerator.	<ul style="list-style-type: none"> <li>• This is normal. The bubbling comes from the refrigerant coolant liquid circulating through the refrigerator.</li> </ul>
There is a bad smell in the refrigerator.	<ul style="list-style-type: none"> <li>• Has a food item spoiled?</li> <li>• Make sure that strong smelling food (for example, fish) is wrapped so that it is airtight.</li> <li>• Clean out your freezer periodically and throw away any spoiled or suspect food.</li> </ul>
Frost forms on the walls of the freezer.	<ul style="list-style-type: none"> <li>• Is the air vent blocked? Remove any obstructions so air can circulate freely.</li> <li>• Allow sufficient space between the foods stored for efficient air circulation.</li> <li>• Is the freezer door closed properly?</li> </ul>
Water dispenser is not functioning.	<ul style="list-style-type: none"> <li>• Is the water line connected and the shut-off valve open?</li> <li>• Has the water supply line tubing been crushed or kinked? Make sure the tubing is free and clear of any obstruction.</li> <li>• Is the water tank frozen because the refrigerator temperature is too low? Try selecting a warmer setting on the main display panel.</li> </ul>

# Warranty (USA)

---

## **WARRANTY ON SAMSUNG REFRIGERATOR**

### LIMITED WARRANTY TO ORIGINAL PURCHASER

This Samsung brand product, as supplied and distributed by Samsung Electronics America, Inc. (Samsung) and delivered new, in the original carton to the original consumer purchaser, is warranted by Samsung against manufacturing defects in materials and workmanship for a limited warranty period of:

**One (1) year Parts and Labor on Refrigerator**

**Five (5) years Parts and Labor on sealed Refrigeration system only\***

**Ten (10) years Parts and Five (5) years Labor on Digital Inverter Compressor**

(\*Compressor, evaporator, condenser, drier, connecting tubing)

This limited warranty begins on the original date of purchase, and is valid only on products purchased and used in the United States. To receive warranty service, the purchaser must contact Samsung for problem determination and service procedures. Warranty service can only be performed by a Samsung authorized service center. The original dated bill of sale must be presented upon request as proof of purchase to Samsung or Samsung authorized service center.

Samsung will repair or replace any part found to be defective, at our option and at no charge as stipulated herein, with new or reconditioned parts during the limited warranty period specified above. All replaced parts and products become the property of Samsung and must be returned to Samsung. Replacement parts and products assume the remaining original warranty, or ninety (90) days, whichever is longer.

In-home service will be provided during the warranty labor period subject to availability within the contiguous United States. In-home service is not available in all areas. To receive in-home service, the product must be unobstructed and accessible from floor level to service personnel. If during in-home service repair cannot be completed, it may be necessary to remove, repair and return the product. If in-home service is unavailable, Samsung may elect, at our option, to provide for transportation of our choice to and from a Samsung authorized service center. Otherwise, transportation to and from the Samsung authorized service center is the responsibility of the purchaser.

This limited warranty covers manufacturing defects in materials and workmanship encountered in normal, noncommercial use of this product, and shall not apply to the following, including, but not limited to: damage which occurs in shipment; delivery and installation; applications and uses for which this product was not intended; altered product or serial numbers; cosmetic damage or exterior finish; accidents, abuse, neglect, fire, water, lightning or other acts of nature; use of products, equipment, systems, utilities, services,

---

parts, supplies, accessories, applications, installations, repairs, external plumbing and leaks, external wiring, circuit breakers, fuses or connectors not supplied and authorized by Samsung, or which damage this product or result in service problems; incorrect electrical line voltage, fluctuations and surges; customer adjustments and failure to follow operating instructions, cleaning, maintenance and environmental instructions that are covered and prescribed in the instruction book; loss of food due to spoilage; consumable items including filters and light.

THERE ARE NO EXPRESS WARRANTIES OTHER THAN THOSE LISTED AND DESCRIBED ABOVE, AND NO WARRANTIES WHETHER EXPRESS OR IMPLIED, INCLUDING, BUT NOT LIMITED TO, ANY IMPLIED WARRANTIES OF MERCHANTABILITY OR FITNESS FOR A PARTICULAR PURPOSE, SHALL APPLY AFTER THE EXPRESS WARRANTY PERIODS STATED ABOVE, AND NO OTHER EXPRESS WARRANTY OR GUARANTY GIVEN BY ANY PERSON, FIRM OR CORPORATION WITH RESPECT TO THIS PRODUCT SHALL BE BINDING ON SAMSUNG. SAMSUNG SHALL NOT BE LIABLE FOR LOSS OF REVENUE OR PROFITS, FAILURE TO REALIZE SAVINGS OR OTHER BENEFITS, OR ANY OTHER SPECIAL, INCIDENTAL OR CONSEQUENTIAL DAMAGES CAUSED BY THE USE, MISUSE OR INABILITY TO USE THIS PRODUCT, REGARDLESS OF THE LEGAL THEORY ON WHICH THE CLAIM IS BASED, AND EVEN IF SAMSUNG HAS BEEN ADVISED OF THE POSSIBILITY OF SUCH DAMAGES. NOR SHALL RECOVERY OF ANY KIND AGAINST SAMSUNG BE GREATER IN AMOUNT THAN THE PURCHASE PRICE OF THE PRODUCT SOLD BY SAMSUNG AND CAUSING THE ALLEGED DAMAGE. WITHOUT LIMITING THE FOREGOING, PURCHASER ASSUMES ALL RISK AND LIABILITY FOR LOSS, DAMAGE OR INJURY TO PURCHASER AND PURCHASER'S PROPERTY AND TO OTHERS AND THEIR PROPERTY ARISING OUT OF THE USE, MISUSE OR INABILITY TO USE THIS PRODUCT SOLD BY SAMSUNG NOT CAUSED DIRECTLY BY THE NEGLIGENCE OF SAMSUNG. THIS LIMITED WARRANTY SHALL NOT EXTEND TO ANYONE OTHER THAN THE ORIGINAL PURCHASER OF THIS PRODUCT, IS NONTRANSFERABLE AND STATES YOUR EXCLUSIVE REMEDY.

Some states do not allow limitations on how long an implied warranty lasts, or the exclusion or limitation of incidental or consequential damages, so the above limitations or exclusions may not apply to you. This warranty gives you specific legal rights, and you may also have other rights, which vary from state to state.

To obtain warranty service, please contact Samsung at:

**SAMSUNG CUSTOMER CARE CENTER**

Samsung Electronics America, Inc. 85 Challenger Road Ridgefield Park, NJ 07660  
1-800-SAMSUNG (1-800-726-7864) and [www.samsung.com](http://www.samsung.com)

# If your refrigerator needs service

---

Do not hesitate to call any Samsung Authorized Service Center nearby giving them your name, address and telephone number when your product is not functioning properly.

## Warranty Information (CANADA)

---

### Limited Warranty for Original Purchaser

This Samsung product is warranted by Samsung Electronics Canada Inc. (hereafter referred to as SECA) against manufacturing defects in material or workmanship for the following periods:

- Labor : 1 years (in-home)
- Parts : 1 years
- Inverter Compressor : 10 years (Part only)

SECA further warrants that if this product fails to operate properly within the specified warranty period and the failure is due to improper workmanship or defective material, SECA will repair or replace the product at its option.

In-home service is not available in all areas. Contact us to find out if in-home service is currently available in your area by using the contact information at the back of this warranty.

All warranty repairs or part replacements must be performed by a SECA Authorized Service Center. (To find the nearest SECA Service Center, call 1-800-SAMSUNG (7267864) or visit our web site at [www.samsung.com/ca](http://www.samsung.com/ca))

### Obligation to the Original Owner

The original dated sales receipt must be retained by the customer and is the only acceptable proof of purchase.

It must be presented to a SECA Authorized Service Center at the time service is requested before warranty services are rendered. On all carry-in models, transportation to and from the Authorized Service Center is the responsibility of the customer.

---

### **Exclusions of the Warranty**

This warranty does not cover damage due to accident, fire, flood, and/or other Acts of God, misuse, incorrect line voltage, improper installation, improper or unauthorized repairs, commercial use, or damage that occurs during shipping. Customer adjustments which are explained in this owners manual are not covered under the terms of this warranty.

This warranty will automatically be voided for any unit found with a missing or altered serial number.

This warranty is valid only on products purchased and used in the Canada.

### **SAMSUNG CUSTOMER CARE CENTER**

Samsung Electronics Canada Inc. 2050 Derry Road West, Mississauga, Ontario L5N 0B9  
Canada

1-800-SAMSUNG (726-7864)

[www.samsung.com/ca/support](http://www.samsung.com/ca/support) (English)

[www.samsung.com/ca\\_fr/support](http://www.samsung.com/ca_fr/support) (French)



Scan this with your smartphone

Scan the QR code\* or visit  
[www.samsung.com/spsn](http://www.samsung.com/spsn)  
to view our helpful  
How-to Videos and Live Shows

\* Requires reader to be installed  
on your smartphone

### Contact SAMSUNG WORLD WIDE

If you have any questions or comments relating to Samsung products, please contact the SAMSUNG customer care center.

COUNTRY	CALL	OR VISIT US ONLINE AT
U.S.A	1-800-SAMSUNG (726-7864)	<a href="http://www.samsung.com/us/support">www.samsung.com/us/support</a>
CANADA	1-800-SAMSUNG (726-7864)	<a href="http://www.samsung.com/ca/support">www.samsung.com/ca/support</a> (English) <a href="http://www.samsung.com/ca_fr/support">www.samsung.com/ca_fr/support</a> (French)





# Refrigerador

---

## Manual del usuario

RS25J50\*

---

Electrodoméstico independiente

**SAMSUNG**

# Contenido

---

<b>Información sobre seguridad</b>	<b>3</b>
Símbolos y advertencias de seguridad importantes	4
Advertencias muy importantes para la instalación	5
Precauciones para la instalación	8
Advertencias muy importantes para el uso	9
Precauciones de uso	13
Precauciones para la limpieza	16
Advertencias muy importantes para la eliminación de residuos	17
Recomendaciones adicionales para el uso adecuado	18
<b>Puesta a punto</b>	<b>19</b>
Preparación para la instalación del refrigerador	19
Puesta a punto del refrigerador	22
Cómo retirar las puertas del refrigerador	24
Nivelación del refrigerador	29
Cómo hacer pequeños ajustes entre las puertas	30
Instalación de la tubería del dispensador de agua	31
Finalización de la instalación	35
<b>Funcionamiento</b>	<b>36</b>
Verificación del panel de control	36
Uso del panel de control	38
Uso del dispensador de hielo y agua fría	41
Almacenamiento de alimentos	43
Cómo retirar los accesorios del congelador/refrigerador	45
Limpieza del refrigerador	46
Cambio del filtro de agua	48
<b>Solución de problemas</b>	<b>54</b>

# Información sobre seguridad

---

- Antes de utilizar su nuevo refrigerador Side-By-Side de Samsung, lea detenidamente este manual a fin de aprender a usar las funciones que ofrece de manera segura y eficiente.
- Este electrodoméstico no debe ser utilizado por personas (incluidos niños) con capacidades mentales, sensoriales o físicas reducidas o por personas que carezcan de experiencia y conocimientos, a menos que se encuentren bajo la supervisión o hayan recibido instrucciones de un responsable de su seguridad sobre el uso del refrigerador.
- Debido a que las siguientes instrucciones corresponden a diversos modelos, es posible que las características de su refrigerador difieran ligeramente de las que se describen en este manual.
- Si tiene alguna duda, comuníquese al 1-800-SAMSUNG o encuentre ayuda e información en línea en [www.samsung.com](http://www.samsung.com).

# Información sobre seguridad

---

## Símbolos y advertencias de seguridad importantes

---

### **ADVERTENCIA**

Riesgos o prácticas inseguras que pueden causar graves lesiones personales o incluso la muerte.

### **PRECAUCIÓN**

Riesgos o prácticas inseguras que pueden causar lesiones personales leves o daños materiales.

### **NOTA**

 NO lo intente.

 NO lo desensamble.

 NO lo toque.

 Siga atentamente las instrucciones.

 Desconecte el enchufe del tomacorriente.

 Asegúrese de que la unidad esté conectada a tierra para evitar una descarga eléctrica.

 Comuníquese con el centro de contacto para obtener ayuda.

**Estas señales de advertencia se incluyen aquí para evitar que usted o terceros sufran lesiones.**

**Sígalas atentamente.**

**Después de leer esta sección, consérvela en un lugar seguro para referencia futura.**

### **ADVERTENCIA**

#### **Advertencia sobre la State of California Proposition 65 (solo EE.UU.)**

Este producto contiene productos químicos reconocidos en el estado de California como capaces de provocar cáncer y defectos de nacimiento u otras afecciones reproductivas.

---

## Advertencias muy importantes para la instalación

---

### **ADVERTENCIA**

- No instale el refrigerador en un lugar húmedo o donde pueda entrar en contacto con agua.
- El aislamiento deficiente de las piezas eléctricas puede provocar una descarga eléctrica o un incendio.
- No exponga este refrigerador a la luz solar directa ni al calor de estufas, calefactores u otros electrodomésticos.
- No enchufe varios electrodomésticos en la misma toma múltiple. El refrigerador debe conectarse siempre a un tomacorriente individual cuyo voltaje nominal coincida con el que se especifica en la placa de voltaje del refrigerador.
- Así se obtiene el mejor desempeño y también se evita que se sobrecarguen los circuitos del cableado de la casa, lo cual podría provocar un riesgo de incendio a causa del recalentamiento de los cables.
- Si el tomacorriente está flojo, no conecte el enchufe.
- Existe el riesgo de que se produzca una descarga eléctrica o un incendio.
- No utilice un cable de alimentación que esté dañado o gastado en su extensión o en cualquiera de los extremos.
- No doble excesivamente el cable de alimentación ni coloque objetos pesados sobre él.
- No retuerza ni amarre el cable de alimentación.
- No coloque el cable de alimentación sobre un objeto metálico; no coloque sobre él ningún objeto pesado; no lo coloque entre objetos ni lo empuje hacia el espacio que hay detrás del electrodoméstico.
- Al mover el refrigerador, tenga cuidado de no enroscar ni dañar el cable de alimentación.
- Esto podría causar una descarga eléctrica o un incendio.

# Información sobre seguridad

---

- Nunca desenchufe el refrigerador jalando el cable de alimentación. Siempre sostenga el enchufe con firmeza y jale para extraerlo del tomacorriente.
- Los daños al cable pueden provocar un cortocircuito, un incendio o una descarga eléctrica.
- No utilice aerosoles cerca del refrigerador.
- Utilizar aerosoles cerca del refrigerador puede causar una explosión o un incendio.
- No instale este electrodoméstico cerca de calefactores o materiales inflamables.
- No instale este electrodoméstico en un lugar húmedo, engrasado o sucio, o en un sitio con exposición directa al sol o al agua (lluvia, etc.).
- No instale este electrodoméstico en un lugar donde puedan haber fugas de gas.
- Esto podría causar una descarga eléctrica o un incendio.

- 
- ★ • Antes de usarse, el refrigerador debe ubicarse e instalarse de manera apropiada de acuerdo con las instrucciones de este manual.
  - Conecte el enchufe en la posición correcta con el cable colgando hacia abajo.
  - Si conecta el enchufe al revés, el cable puede cortarse y provocar un incendio o una descarga eléctrica.
  - Al mover el refrigerador, tenga cuidado de no enroscar ni dañar el cable de alimentación.
  - Esto representa un riesgo de incendio.
  - Asegúrese de que el enchufe no esté aplastado ni haya sido dañado por la parte posterior del refrigerador.
  - Mantenga los materiales de empaque fuera del alcance de los niños.
  - Existe el riesgo de muerte por asfixia si un niño se coloca los materiales de empaque en la cabeza.
  - El electrodoméstico debe colocarse de manera tal que se pueda acceder al enchufe después de la instalación.

- 
- No seguir esta recomendación puede causar una descarga eléctrica o un incendio debido a una fuga de electricidad.
  - Es necesario quitar toda la película plástica protectora antes de enchufar el producto por primera vez.
- 

- ⚠ • El refrigerador debe estar conectado a tierra de manera segura.
  - Siempre asegúrese de haber conectado el refrigerador a tierra antes de intentar examinar o reparar alguna pieza.  
Las fugas de energía pueden provocar una descarga eléctrica grave.
  - Nunca utilice como conexión a tierra tubos de gas, líneas telefónicas ni otras posibles fuentes de atracción de rayos.
  - El uso inapropiado de la conexión a tierra puede traer como consecuencia un riesgo de descarga eléctrica.  
Si necesita usar un cable de extensión, use solo uno de tres hilos con un enchufe que tenga una tercera punta para el polo a tierra; el tomacorriente deberá tener 3 ranuras para adaptarse al enchufe del electrodoméstico.  
La potencia indicada en el cable de extensión debe ser CA 115-120 V, 10 A o superior.  
Si se utiliza un adaptador de tierra, asegúrese de que el receptáculo esté conectado correctamente a tierra.
  - Conecte bien el enchufe a la toma de pared. No utilice enchufes o cables de alimentación dañados ni enchufes de pared flojos.
  - Esto podría causar una descarga eléctrica o un incendio.
- 

- 🔧 • Si el cable de alimentación está dañado, solicite su reemplazo de inmediato al fabricante o a uno de los agentes de servicio técnico.


# Información sobre seguridad

---

## Precauciones para la instalación

---

### PRECAUCIÓN

-  • Deje espacio suficiente alrededor del refrigerador e instálelo sobre una superficie plana.
- Si el refrigerador no está nivelado, es posible que el sistema de enfriamiento interno no funcione correctamente.
- Mantenga libre de obstáculos el espacio de ventilación en el gabinete o la estructura de montaje del electrodoméstico.
- El electrodoméstico debe permanecer en posición vertical durante 2 horas después de la instalación.
- Recomendamos que el refrigerador sea instalado por un técnico calificado o una compañía de servicios.
- No seguir esta recomendación puede causar descargas eléctricas, incendios, explosiones, problemas con el producto o lesiones.

---

## Advertencias muy importantes para el uso

---

### **ADVERTENCIA**

- No conecte el enchufe en un tomacorriente con las manos mojadas.
- No coloque objetos en la parte superior de la unidad.
- Cada vez que abra o cierre la puerta, estos podrían caerse y provocar lesiones personales o daños materiales.
- No coloque las manos, los pies ni objetos metálicos (como cuchillos, etc.) en la parte inferior o posterior del refrigerador.
- Esto podría causar una descarga eléctrica o lesiones personales.
- Las puntas filosas pueden provocar lesiones personales.
- No coloque un recipiente con agua sobre el refrigerador.
- Si se derrama, existe el riesgo de que se produzca un incendio o una descarga eléctrica.
- Se deberá vigilar a los niños para asegurarse de que no jueguen con el electrodoméstico.
- Aleje los dedos de los puntos de agarre. Los espacios entre las puertas y el gabinete son inevitablemente pequeños. Abra las puertas con cuidado si hay niños cerca.
- No permita que los niños se cuelguen de la puerta. Pueden producirse lesiones graves.
- No permita que los niños se metan en el refrigerador. Podrían quedar atrapados.
- No coloque las manos debajo del electrodoméstico.
- Es posible que algunas puntas filosas le provoquen lesiones.
- No permita que los niños se paren sobre la cubierta de un cajón.
- El cajón se puede romper y los niños pueden caerse.
- No sobrecargue el refrigerador con comida.
- Cuando abra la puerta, algún elemento podría caerse y provocar lesiones personales o daños materiales.
- No toque las paredes internas del congelador ni los productos almacenados en este con las manos mojadas.
- Esto puede provocar quemaduras por frío.

# Información sobre seguridad

---

- Nunca coloque los dedos u otros objetos en el orificio del dispensador de agua, en el recipiente de hielo o en la cubeta de la fábrica de hielo.
  - Esto podría provocar lesiones personales o daños materiales.
- No utilice ni coloque ninguna sustancia sensible a la temperatura, tales como pulverizadores inflamables, objetos inflamables, hielo seco, medicamentos o productos químicos, cerca o dentro del refrigerador.
- No almacene sustancias u objetos volátiles o inflamables (benceno, solvente, gas propano, alcohol, éter, gas licuado ni cualquier otro producto de este tipo) en el refrigerador.
  - Este refrigerador se debe utilizar solo para almacenar alimentos.
  - Esto podría causar un incendio o una explosión.
- No almacene en el refrigerador productos farmacéuticos, materiales científicos ni productos sensibles a la temperatura.
  - No se deben almacenar productos que requieran controles estrictos de temperatura.
- No coloque ni utilice aparatos eléctricos dentro del refrigerador, a menos que sean del tipo recomendado por el fabricante.
- No se pare sobre el electrodoméstico ni le coloque objetos encima (tales como ropa, velas o cigarrillos encendidos, platos, productos químicos, objetos metálicos, etc.).

Esto podría causar una descarga eléctrica, un incendio, problemas con el producto o lesiones.

No coloque un recipiente con agua sobre el electrodoméstico.

  - Si se derrama, existe el riesgo de que se produzca un incendio o una descarga eléctrica.
- No utilice dispositivos mecánicos ni cualquier otro medio para acelerar el proceso de descongelamiento que no sean aquellos recomendados por el fabricante.
- No dañe el circuito del refrigerante.
- No pulverice material volátil, tal como un insecticida, sobre la superficie del electrodoméstico.
  - Además de ser perjudicial para los seres humanos, puede causar una descarga eléctrica, un incendio o problemas con el producto.

- 
- No mire fijamente la lámpara LED UV durante mucho tiempo.
  - Los rayos ultravioletas podrían dañarle la visión.
- 


- ⊘ • No intente reparar, desensamblar ni modificar el electrodoméstico por su cuenta.
  - No utilice ningún fusible (tales como los de alambres de acero, de cobre, etc.) que no sea un fusible estándar.
  - Si es necesario reparar o volver a instalar el electrodoméstico, comuníquese con su Centro de Servicio más cercano.
  - No seguir esta recomendación puede causar una descarga eléctrica, un incendio, problemas con el producto o lesiones.
  - Si la lámpara LED interior o exterior se ha apagado, comuníquese con su Centro de Servicio más cercano.
- 

- ★ • Se deberá vigilar a los niños para asegurarse de que no jueguen con el electrodoméstico.
- Aleje los dedos de los puntos de agarre : los espacios entre las puertas y el gabinete son inevitablemente pequeños.  
Abra las puertas con cuidado si hay niños cerca.
- No permita que los niños se cuelguen de la puerta.  
Pueden producirse lesiones graves.
- No permita que los niños ingresen al refrigerador. Podrían quedar atrapados.
- Las botellas se deben almacenar una junto a otra de manera tal que no se caigan.
- Este producto se debe utilizar solo para almacenar alimentos en un entorno doméstico.
- Si se detecta una fuga de gas, evite las llamas o posibles fuentes de ignición y ventile durante varios minutos la habitación en la que se encuentra el electrodoméstico.
- No toque el electrodoméstico ni el cable de alimentación.
- No utilice un ventilador.
- Una chispa puede provocar una explosión o un incendio.

# Información sobre seguridad

---

- Utilice solamente lámparas LED proporcionadas por el fabricante o sus agentes de servicio técnico.
- 

-  En caso de sentir olor a quemado o a humo en el refrigerador, desenchúfelo de inmediato y comuníquese con el Centro de Servicio de Samsung Electronics.
- Si le resulta difícil cambiar una luz que no sea de LED, comuníquese con un Centro de Servicio de Samsung.
- Si el producto cuenta con lámparas de LED, no desensamble las cubiertas de la lámpara y las lámparas de LED usted mismo.
  - Comuníquese con sus agentes de servicio.
- Si entra polvo o agua al refrigerador, desenchúfelo y comuníquese con su Centro de Servicio de Samsung Electronics.
  - Existe el riesgo de que se produzca un incendio.

---

## Precauciones de uso

---

### PRECAUCIÓN

- No vuelva a congelar alimentos que se hayan descongelado completamente.  
No coloque bebidas carbonatadas o con gas en el compartimiento del congelador.  
No coloque botellas ni recipientes de vidrio en el congelador.
- Cuando el contenido se congela, el vidrio puede romperse y provocar lesiones personales.
- Utilice solamente la fábrica de hielo del refrigerador.
- El suministro de agua de este refrigerador debe ser instalado por una persona debidamente calificada y conectado solo a un suministro de agua potable.  
Para que la fábrica de hielo funcione correctamente, se necesita una presión de agua de 20 - 125 psi (138 ~ 862 kPa).  
Si no estará en su casa por un período de tiempo prolongado (por ejemplo, de vacaciones) y no usará los dispensadores de agua o hielo, cierre la válvula de agua.
- De lo contrario, pueden producirse fugas de agua.
- Si no utilizará el refrigerador por un tiempo prolongado (3 semanas o más), vacíelo, desenchúfelo, cierre la válvula de agua, retire el exceso de humedad de las paredes internas y deje las puertas abiertas para que no aparezcan olores y moho.

# Información sobre seguridad

---

- ★ • Garantía de servicio y modificación.
- El servicio de garantía de Samsung no cubre los cambios o las modificaciones realizadas por un tercero a este electrodoméstico; Samsung tampoco es responsable de los problemas relacionados con la seguridad que puedan surgir a causa de modificaciones hechas por terceros.
- No obstruya las rejillas de ventilación dentro del refrigerador.
  - Si las rejillas de ventilación están tapadas, en particular con una bolsa de plástico, el refrigerador se puede sobrecongelar. Si el período de enfriamiento es demasiado prolongado, el filtro de agua puede romperse y provocar fugas de agua.
- Si se desconecta el refrigerador del suministro de energía, espere al menos cinco minutos antes de volver a enchufarlo.
- Si tiene planificado tomarse unas largas vacaciones o si el refrigerador no se utilizará durante un tiempo prolongado (3 semanas o más), debe vaciarlo, desenchufarlo, cerrar la válvula de agua, retirar el exceso de humedad de las paredes internas y dejar las puertas abiertas para que no aparezcan olores y moho.
  - Si se deja el refrigerador encendido por mucho tiempo sin utilizarlo, se puede deteriorar el aislamiento y provocar un incendio.
- Para obtener el mejor desempeño del producto:
  - No coloque alimentos muy cerca de las rejillas de ventilación en la parte posterior del refrigerador, ya que pueden obstruir la libre circulación del aire en el compartimiento del refrigerador.
  - Envuelva los alimentos adecuadamente o colóquelos en recipientes herméticos antes de almacenarlos en el refrigerador.
  - No coloque botellas de vidrio ni bebidas carbonatadas en el congelador. Si se congelan, pueden romperse. Los recipientes de bebidas rotos pueden provocar lesiones personales.
  - Cumpla con los tiempos máximos de almacenamiento y las fechas de vencimiento de los alimentos congelados.

- 
- No es necesario desenchufar el refrigerador si se ausentará menos de tres semanas.

Sin embargo, si se ausentará durante más de tres semanas, retire todos los alimentos, desenchufe el refrigerador, cierre la válvula de agua, retire el exceso de humedad de las paredes internas y deje las puertas abiertas para que no aparezcan olores y moho.

- Llene el tanque de agua y la charola para el hielo solamente con agua potable (agua de la llave, agua mineral o agua purificada).
- No llene el tanque con té ni bebidas isotónicas. Esto podría dañar el refrigerador.
- No golpee ni aplique una fuerza excesiva sobre ninguna superficie de vidrio.
- Un vidrio roto puede causar lesiones personales o daños materiales.

- 
- Si el producto está lleno de agua, comuníquese con el Centro de Servicio más cercano.
  - Existe el riesgo de que se produzca una descarga eléctrica o un incendio.


# Información sobre seguridad


---


## Precauciones para la limpieza

---

### PRECAUCIÓN

-  • No pulverice con agua directamente dentro o fuera del refrigerador.
  - Existe el riesgo de que se produzca un incendio o una descarga eléctrica.
  - No utilice un secador de cabello para secar el interior del refrigerador.
  - No coloque velas encendidas en el refrigerador para eliminar los malos olores.
  - Esto podría causar una descarga eléctrica o un incendio.
- 

-  • Use un paño seco y limpio para retirar cualquier sustancia extraña o polvo de las clavijas del enchufe.  
No utilice un paño mojado ni húmedo para limpiar el enchufe.
  - De lo contrario, existe el riesgo de que se produzca un incendio o una descarga eléctrica.
- 

-  • Antes de limpiar o realizar el mantenimiento, desenchufe el electrodoméstico del tomacorriente.
- No seguir esta recomendación podría causar una descarga eléctrica o un incendio.

---

## Advertencias muy importantes para la eliminación de residuos

---

### **ADVERTENCIA**

- **PELIGRO:** Existe el riesgo de que los niños queden encerrados.  
Antes de desechar su antiguo refrigerador o congelador:
  - Retire las puertas y los pestillos.
  - Deje los estantes en su lugar de manera tal que los niños no puedan trepar fácilmente en el interior.
  - Si algún niño queda atrapado dentro del refrigerador, puede lastimarse o asfixiarse hasta morir.
- Deseche el material de empaque de este producto de forma tal que no resulte nocivo para el medio ambiente.
- Asegúrese de que ninguno de los tubos que se encuentran detrás del electrodoméstico estén dañados antes de desecharlos.
- Se utiliza R-600a o R-134a como refrigerante. Mire la etiqueta del compresor en la parte posterior del electrodoméstico o la etiqueta de voltaje dentro del refrigerador para constatar qué refrigerante fue utilizado en su refrigerador.  
Si este producto contiene gas inflamable (Refrigerante R-600a), comuníquese con las autoridades locales para desechar este producto en forma segura.
- Cuando deseche este refrigerador, retire los burletes y los pestillos de las puertas de manera tal que los niños pequeños o los animales no puedan quedar atrapados en el interior.  
Se deberá vigilar a los niños para asegurarse de que no jueguen con el electrodoméstico.  
Si quedan atrapados dentro, los niños pueden lesionarse o sofocarse hasta morir.
- Se utiliza ciclopentano como aislante.  
Los gases del material de aislamiento requieren un procedimiento especial para desecharlos.  
Comuníquese con las autoridades locales para desechar este producto de manera que no resulte nocivo para el medio ambiente.

# Información sobre seguridad

---

- Mantenga los materiales de empaque fuera del alcance de los niños, ya que pueden ser peligrosos para ellos.
- Si un niño se coloca una bolsa en la cabeza, puede asfixiarse.

## Recomendaciones adicionales para el uso adecuado

---

### **NOTA**

- En caso de un corte de energía, comuníquese con su compañía de electricidad local y pregunte cuánto tiempo durará el corte.
- La mayoría de los cortes de energía que se solucionan dentro del lapso de una o dos horas, no afectan las temperaturas del refrigerador. Sin embargo, deberá abrir la puerta la menor cantidad de veces posible.
- Si el corte de energía dura más de 24 horas, deberá retirar y desechar toda la comida congelada.
- Si se proporciona una llave con el refrigerador, debe estar fuera del alcance de los niños y lejos del electrodoméstico.
- El electrodoméstico puede no funcionar de manera uniforme (el contenido puede descongelarse o la temperatura en el compartimiento de comidas congeladas puede elevarse) cuando se lo coloca durante un tiempo prolongado en un sitio donde la temperatura del ambiente esté constantemente por debajo de las temperaturas para las que está diseñado el electrodoméstico.
- No coloque alimentos que se descompongan fácilmente a bajas temperaturas como, por ejemplo, bananas y melones.
- El refrigerador es “no frost”, lo que significa que no es necesario descongelarlo manualmente. Esto se hará de forma automática.
- El aumento de la temperatura durante el descongelamiento cumple con los requerimientos ISO.  
Pero si desea evitar un aumento excesivo en la temperatura de los alimentos congelados mientras descongela el electrodoméstico, envuelva los alimentos congelados con varias capas de papel de periódico.
- Cualquier aumento en la temperatura del alimento congelado durante el descongelamiento puede disminuir su vida útil en almacenamiento.
- No vuelva a congelar alimentos que se hayan descongelado completamente.

# Puesta a punto

## Preparación para la instalación del refrigerador

Felicitaciones por haber adquirido este refrigerador de puerta francesa Samsung. Esperamos que disfrute de las funciones y características de vanguardia que ofrece este nuevo electrodoméstico.

### Selección de la mejor ubicación para el refrigerador

#### Elija:

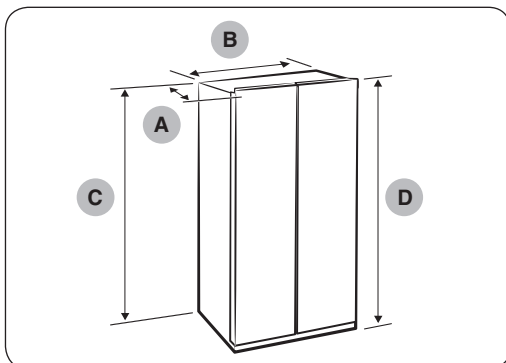
- Una ubicación con fácil acceso a un suministro de agua.
- Una ubicación sin exposición directa a la luz solar.
- Una ubicación en la que el piso esté nivelado (o casi nivelado).
- Una ubicación con suficiente espacio para que las puertas del refrigerador se abran fácilmente.
- Una ubicación que deje el espacio libre suficiente a la derecha, izquierda, atrás y arriba del refrigerador para la circulación del aire.

Si no hay suficiente espacio alrededor del refrigerador, podría afectarse la eficiencia de la refrigeración y el consumo de energía.

- Una ubicación que permita mover fácilmente el refrigerador si necesita mantenimiento o reparación.
- No instale el refrigerador en un lugar donde la temperatura sea superior a 110 °F (43 °C) o inferior a 50 °F (10 °C).

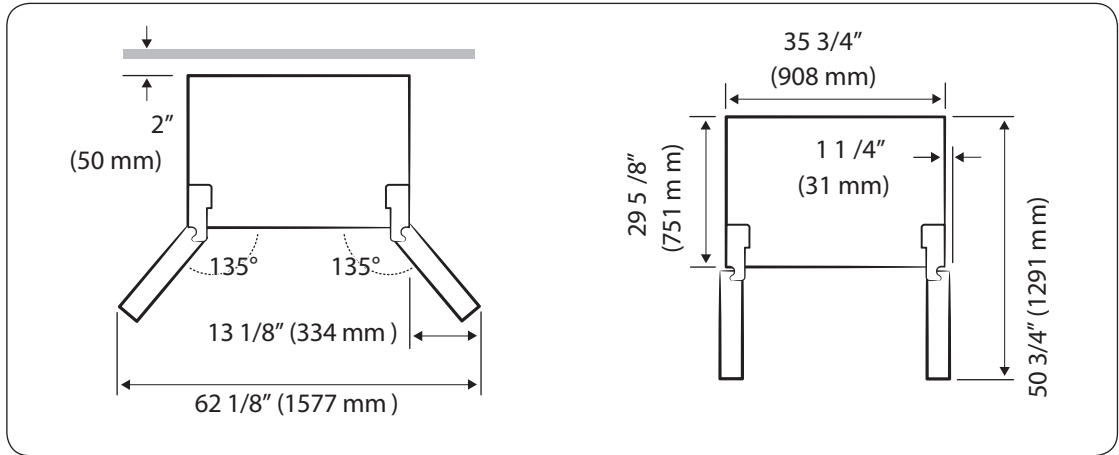
Si el refrigerador no está nivelado, es posible que el sistema de enfriamiento interno no funcione correctamente.

Consulte el dibujo y la dimensión a continuación para ver el espacio total necesario para su uso.



<b>Profundidad "A"</b>	34" (864 mm)
<b>Ancho "B"</b>	35 3/4" (908 mm)
<b>Altura "C"</b>	68 1/2" (1740 mm)
<b>Altura total "D"</b>	70" (1776 mm)

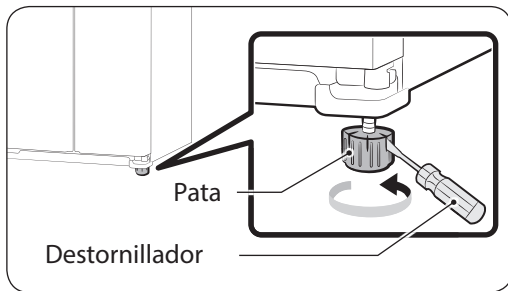
# Puesta a punto



## NOTA

Las mediciones están basadas en las dimensiones del diseño, por lo que pueden diferir según el método de medición.

Cuando mueva el refrigerador



## PRECAUCIÓN

- Para evitar que se dañe el piso, asegúrese de que las patas de ajuste delanteras estén en posición vertical (sobre el piso). Consulte "Nivelación del refrigerador" en la página 29.

## Piso



Para realizar una instalación correcta, se debe colocar el refrigerador sobre una superficie nivelada de material rígido que tenga la misma altura que el resto del piso. Esta superficie debe ser lo suficientemente resistente como para soportar el peso de un refrigerador completamente cargado. Para proteger el acabado del piso, corte una hoja grande de cartón y colóquela debajo del refrigerador mientras trabaja. Cuando mueva el refrigerador, jale y empuje en forma recta hacia adelante o hacia atrás.

No lo mueva de lado a lado.

### ⚠ PRECAUCIÓN

- Cuando instale el refrigerador o haga trabajos de mantenimiento o limpieza, jale la unidad en línea recta y empújela también en línea recta al finalizar.

**Importante:** asegúrese de poder mover el refrigerador fácilmente hasta su ubicación final midiendo las entradas (ancho y alto), los umbrales, los techos, las escaleras, etc. La siguiente tabla describe la altura y la profundidad exactas de este refrigerador Side by Side de Samsung.

### 📄 NOTA

- Asegúrese de desconectar el suministro de agua ANTES de retirar la puerta del congelador. Para evitar daños, consulte “2. Separe la tubería de suministro del agua del refrigerador” en el manual (página 25).

# Puesta a punto

---

## Puesta a punto del refrigerador

---

### Instalación de las manijas

**Importante:** Si necesita retirar las puertas del refrigerador para colocar este en su lugar, instale las manijas después de haber vuelto a instalar las puertas.

Retire las manijas de la puerta del lado derecho.

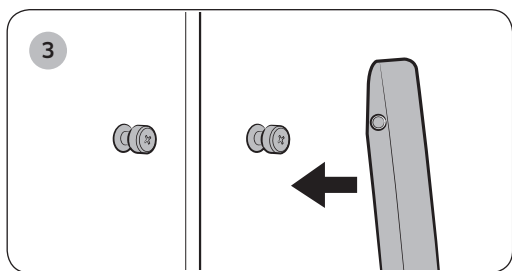
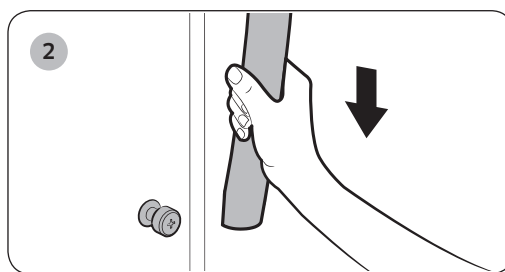
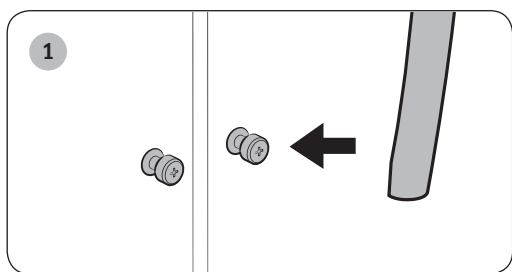
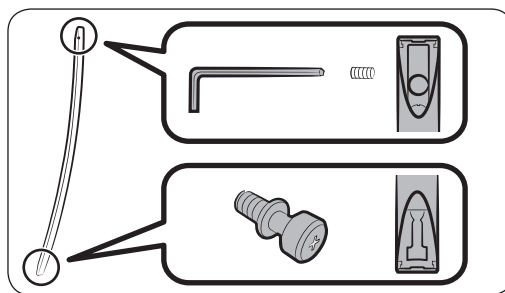
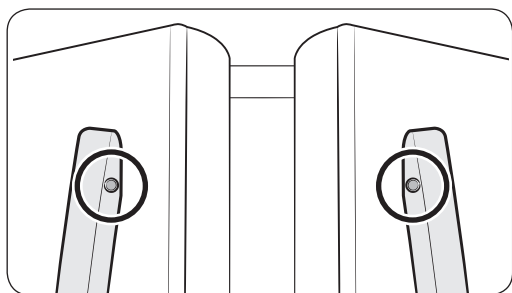


### **NOTA**

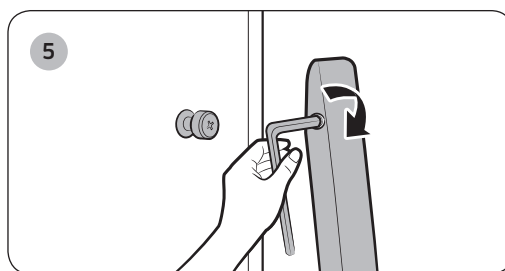
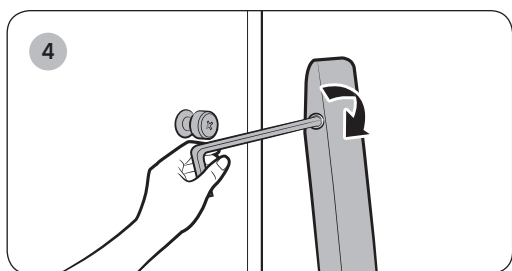
- Las manijas están incluidas en el paquete.

### Cómo instalar las manijas

Orienta cada manija de manera que el extremo de la etiqueta quede arriba y los orificios con los tornillos de sujeción queden frente a frente. Luego siga las indicaciones siguientes para instalar cada manija.



Fije las manijas a las puertas deslizándolas hacia abajo con firmeza.



# Puesta a punto

---

## Cómo retirar las puertas del refrigerador

---

Si la entrada no permite hacer pasar fácilmente el refrigerador, se pueden retirar las puertas del electrodoméstico.

Para retirar las puertas, siga estos pasos.

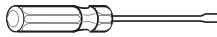
Si no necesita retirar las puertas, diríjase a la sección “Nivelación del refrigerador” en la página 29.

### Herramientas necesarias

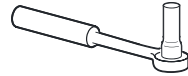
---



Destornillador Philips



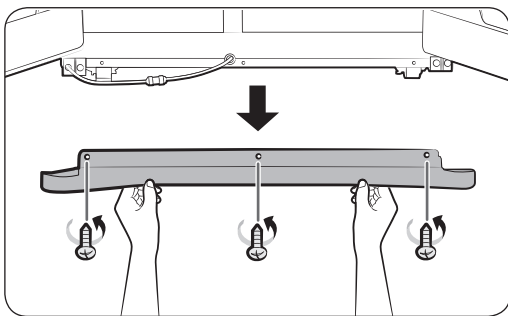
Destornillador de punta chata



Llave de tubo  
(13/32") (10 mm)

### 1. Cómo retirar la cubierta frontal de las patas

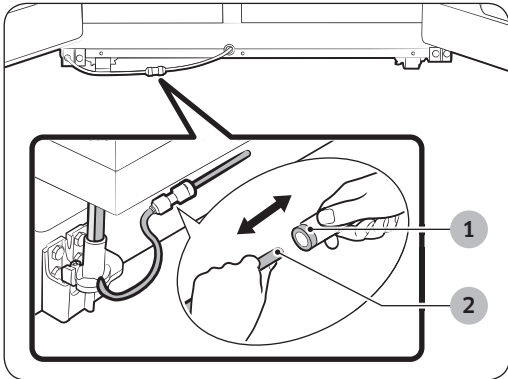
---



Abra las puertas del congelador y del refrigerador.

Desatornille los tres tornillos que mantienen la cubierta frontal de las patas en su lugar girándolos en el sentido contrario al de las agujas del reloj. Una vez flojos los tornillos, retire la cubierta frontal de las patas.

## 2. Separe la tubería de suministro del agua del refrigerador



Retire una o dos tuberías de agua, dependiendo del modelo, presionando cada acoplador (1) y jalando las tuberías de agua (2).

### NOTA

- Su refrigerador puede tener una o dos tuberías de agua, dependiendo del modelo. Si tiene dos, el color de cada una es distinto. Asegúrese de que los colores coincidan cuando vuelva a ensamblarlas.

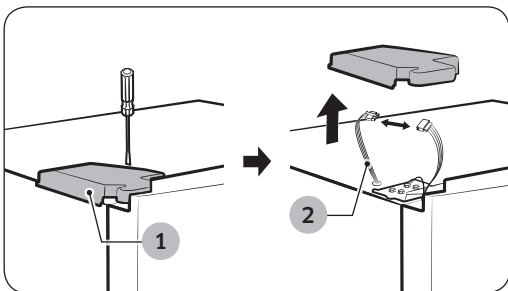
### PRECAUCIÓN

- No corte la tubería de agua. Sepárela con suavidad del acoplador.

## 3. Retire la puerta del congelador

Notas a tener en cuenta.

- Debe levantar la puerta en línea recta para evitar que las bisagras se doblen o se rompan.
- Tenga cuidado de no pellizcar el tubo del agua o el haz de cables con la puerta.
- Coloque las puertas sobre una superficie protegida para evitar rayaduras o daños.
- Se necesitan dos personas para desensamblar las puertas.



1. Con la puerta del congelador cerrada, retire la cubierta de la bisagra superior (1) con un destornillador y desconecte los cables separándolos con suavidad (2).

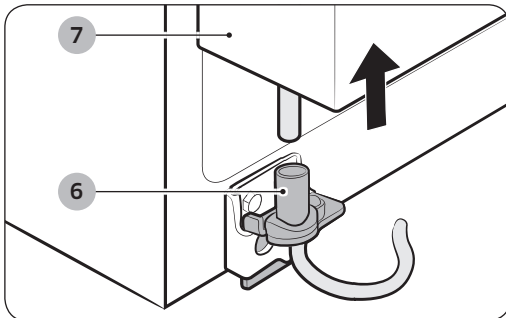
### NOTA

- Tenga cuidado de no dañar el arnés del sensor con la cubierta de la bisagra.

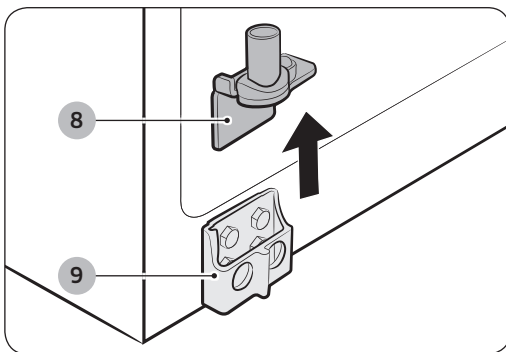
# Puesta a punto



2. Retire los tornillos de las bisagras (3) con una llave de tubo de 13/32" (10 mm).  
Retire el tornillo de conexión a tierra (4) girándolo en el sentido contrario al de las agujas del reloj.  
Retire la bisagra superior (5) en la dirección de la flecha.  
Tenga cuidado que la puerta no se caiga al retirarla.



3. Abra la puerta del congelador y separe la puerta de la bisagra inferior (6) levantándola con cuidado (7).

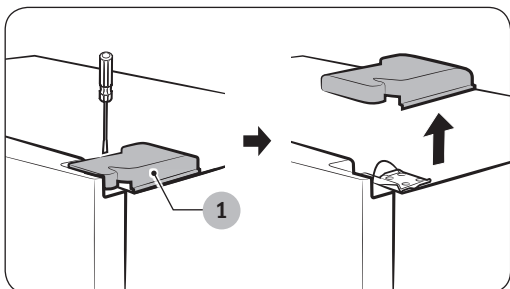


4. Retire la bisagra inferior (8) de su soporte (9) levantándola en la dirección de la flecha.

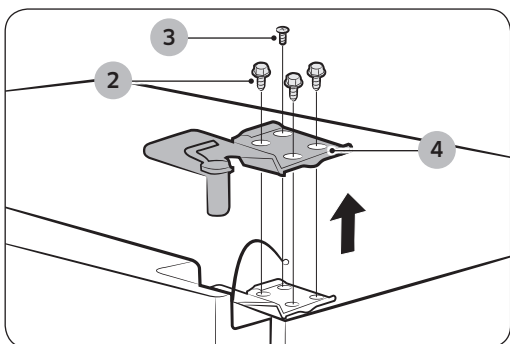
## ⚠ PRECAUCIÓN

- Asegúrese de pasar la tubería de agua a través de la bisagra inferior antes de ensamblarla.

## 4. Retire la puerta del refrigerador



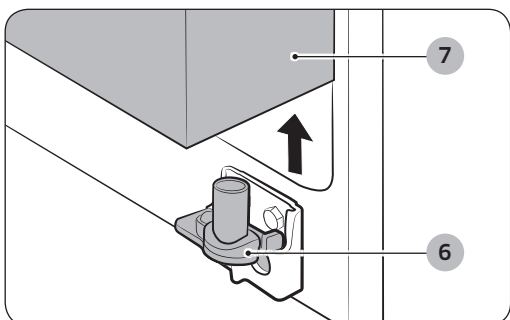
1. Con la puerta cerrada, retire la cubierta de la bisagra superior (1) mediante un destornillador.



2. Retire los tornillos de las bisagras (2) con una llave de tubo de 13/32" (10 mm). Retire el tornillo de conexión a tierra (3) girándolo en el sentido contrario al de las agujas del reloj. Retire la bisagra superior (4) en la dirección de la flecha. Tenga cuidado que la puerta no se caiga al retirarla.

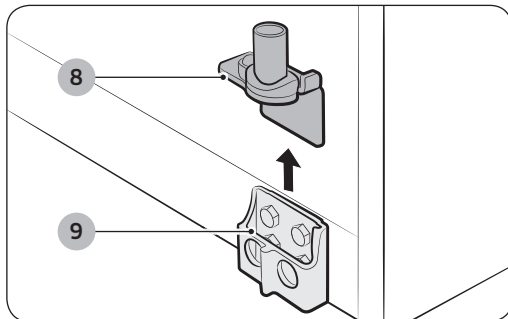
### ⚠ PRECAUCIÓN

- No retire el sensor ensamblado en la cubierta de la bisagra superior derecha.



3. Retire la puerta de la bisagra inferior (6) levantando la puerta (7).

# Puesta a punto



4. Retire la bisagra inferior (8) de su soporte (9) levantándola en la dirección de la flecha.

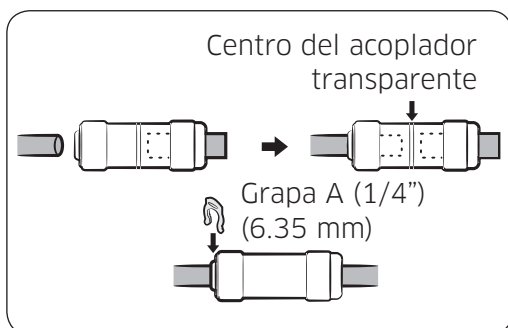
## Cómo volver a colocar la puerta del refrigerador

Para volver a ensamblar la puerta del refrigerador, coloque de nuevo las piezas en orden inverso.

## Cómo volver a colocar la puerta del congelador

Para volver a ensamblar la puerta del congelador, coloque de nuevo las piezas en orden inverso.

## Cómo volver a ensamblar las tuberías de suministro de agua



1. Las tuberías de agua se deben insertar completamente hasta el centro del acoplador transparente para impedir que haya fugas de agua del dispensador.
2. Inserte las 2 grapas del paquete de instalación, como se muestra, y compruebe que queden bien fijas.

### ⚠ PRECAUCIÓN

- Asegúrese de que el color de las tuberías de agua coincida.

## Nivelación del refrigerador

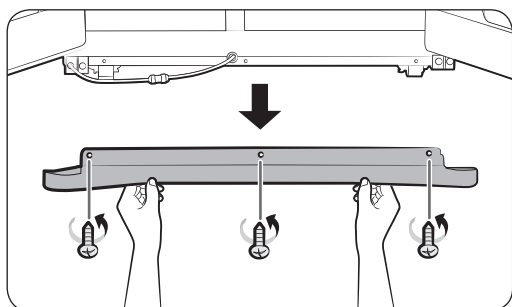
Asegúrese de que el refrigerador esté nivelado antes de realizar los ajustes finales. Utilice un nivelador para evaluar si el refrigerador se encuentra nivelado tanto en los laterales como en la parte trasera y delantera.

Si el refrigerador no está nivelado, las puertas no quedarán perfectamente alineadas, lo que podría generar condensación de humedad y elevadas facturas de energía.

### NOTA

- La sección frontal del refrigerador también se puede ajustar.

Antes de nivelar el refrigerador, quite la cubierta frontal de las patas.

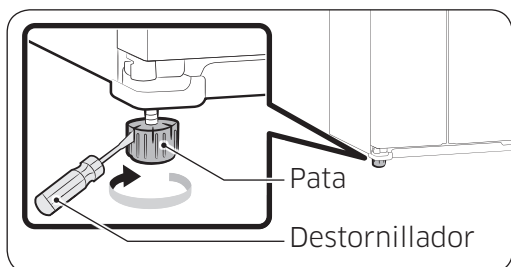


Abra las puertas del congelador y del refrigerador. Desatornille los tres tornillos que mantienen la cubierta frontal de las patas en su lugar girándolos en el sentido contrario al de las agujas del reloj. Una vez flojos los tornillos, retire la cubierta frontal de las patas.

Cuando la parte del congelador es más baja que la parte del refrigerador.

Inserte un destornillador de punta chata en una ranura de la pata del congelador y gírelo en el sentido de las agujas del reloj.

Cuando la parte del refrigerador es más baja que la parte del congelador.



Inserte un destornillador de punta chata en una ranura de la pata del refrigerador y gírelo en el sentido de las agujas del reloj.

### NOTA

- Consulte la siguiente sección para conocer la mejor manera de realizar pequeños ajustes en las puertas.

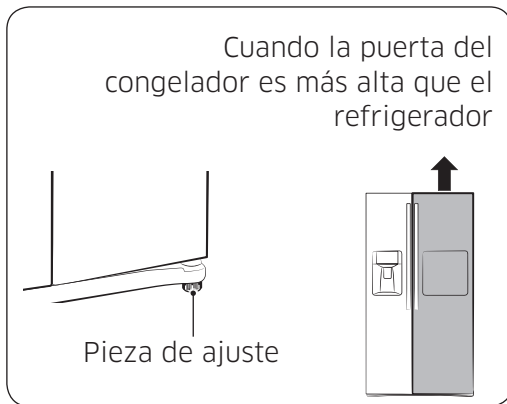
# Puesta a punto

## Cómo hacer pequeños ajustes entre las puertas

Se necesita que el refrigerador esté nivelado para que las puertas estén perfectamente alineadas.

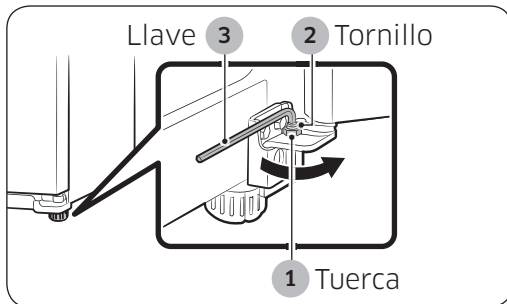
Asegúrese de que el refrigerador esté nivelado antes de comenzar.

Si necesita ayuda, revise la sección anterior sobre la nivelación del refrigerador.



El proceso para ajustar cada puerta es el mismo.

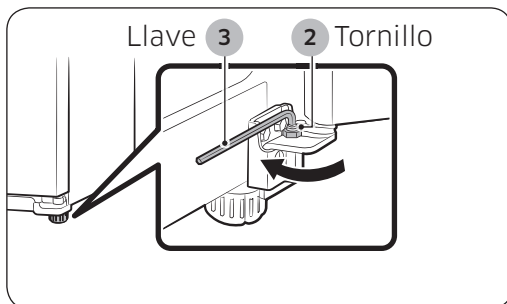
Abra las puertas y ajústelas, una a una, como se explica a continuación:



1. Desatornille la tuerca (1) de la bisagra inferior hasta que alcance el extremo superior del tornillo (2).

### NOTA

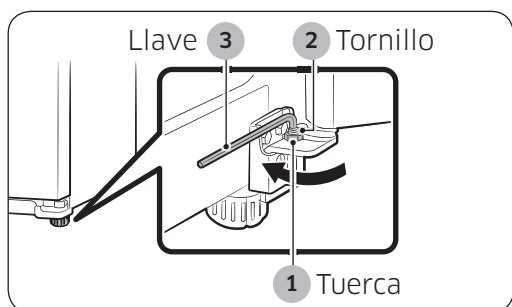
- Cuando libere la tuerca (1), use la llave hexagonal provista (3) para aflojar el tornillo (2) en el sentido contrario al de las agujas del reloj (↺). Deberá poder aflojar la tuerca (1) con los dedos.



2. Ajuste la diferencia de altura entre las puertas girando el tornillo (2) en el sentido de las agujas del reloj (↻) o en el sentido contrario al de las agujas del reloj (↺).

### NOTA

- Cuando gira en el sentido de las agujas del reloj (↻), la puerta se levanta.



- Después de ajustar las puertas, gire el tornillo (1) en el sentido de las agujas del reloj (↻) hasta que se alcance el extremo inferior del tornillo, a continuación apriete nuevamente el tornillo con la llave (3) para fijar la tuerca en su lugar (1).

#### 📄 NOTA

- Si no asegura la tuerca firmemente, el tornillo se puede soltar.

## Instalación de la tubería del dispensador de agua

El dispensador de agua es una de las funciones útiles de su nuevo Refrigerador Samsung.

Con el fin de promover la buena salud, el filtro de agua Samsung elimina las partículas no deseadas del agua.

No obstante, no la esteriliza ni destruye los microorganismos.

Para eso, necesita adquirir un sistema de purificación de agua.

La tubería del agua también se conecta a la fábrica de hielo.

Para que la fábrica de hielo funcione correctamente, se requiere una presión de agua entre 20 y 125 psi (138 y 862 kPa).

Si el refrigerador se instala en una zona con baja presión de agua (inferior a los 20 psi), puede instalar una bomba cebadora para compensar la baja presión.

Una vez conectada la tubería de agua, asegúrese de que el tanque de almacenamiento de agua dentro del refrigerador esté lleno.

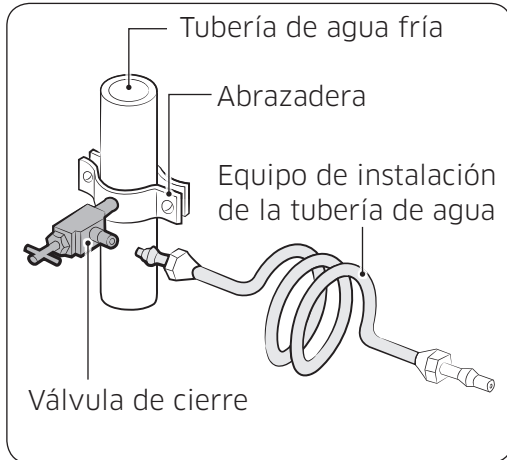
Para hacerlo, presione la palanca del dispensador hasta que salga el agua.

#### 📄 NOTA

- Su distribuidor le podrá ofrecer los kits de instalación de tuberías de agua disponibles a un costo adicional.  
Recomendamos el uso de un equipo de suministro de agua que contenga tubería de cobre.

# Puesta a punto

## Conexión a la tubería de suministro de agua



1. Primero, corte la tubería principal de suministro de agua y apague la fábrica de hielo.

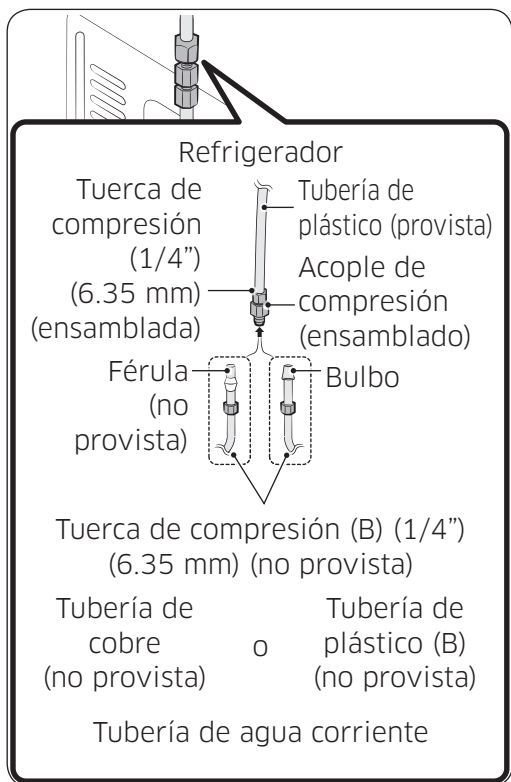
### **NOTA**

- El refrigerador NO debe estar enchufado en este momento.
2. Localice la tubería de agua potable fría más cercana.
  3. Instale la abrazadera y la válvula de cierre.
  4. Conecte el equipo de instalación de la tubería de agua a la válvula de cierre.

## Conexión de la tubería de suministro de agua al refrigerador

Para llevar a cabo la conexión, necesita adquirir varios elementos. Posiblemente su ferretería local los venda todos juntos en un equipo.

<b>Uso de la tubería de cobre</b>	Tubería de cobre de 1/4" (6.35 mm)
	Tuerca de compresión (1) de 1/4" (6.35 mm)
	Férula (2)
<b>Uso de la tubería de plástico</b>	Tubería de plástico de 1/4" (6.35 mm) → Extremo moldeado (bulbo)
	Tuerca de compresión (1) de 1/4" (6.35 mm)



1. Conecte la tubería de agua corriente al acople de compresión ensamblado.
  - Si utiliza una tubería de cobre, deslice la tuerca de compresión (B) (no provista) y la férula (no provista) por la tubería de cobre (no provista) como se muestra en el gráfico.
  - Si utiliza una tubería de plástico (B), inserte el extremo moldeado (bulbo) de la tubería de plástico (B) en el acople de compresión.

### ⚠ PRECAUCIÓN

- No utilice una tubería de plástico (B) sin el extremo moldeado (bulbo).

2. Ajuste la tuerca de compresión (B) sobre el acople de compresión.  
No ajuste demasiado la tuerca de compresión (B).
3. Abra el agua y verifique si hay alguna fuga que no haya fugas dentro del refrigerador, alrededor del filtro de agua y en las zonas de las conexiones. Si encuentra gotas o fugas de agua, cierre el suministro de agua principal.  
Si hay fugas en las zonas de las conexiones, revise las conexiones y, de ser necesario, ajústelas. Si hay fugas en el refrigerador, revise el filtro de agua y asegúrese de que esté en la posición de bloqueado.  
Abra el agua y verifique de nuevo que no haya fugas.
4. Enchufe el refrigerador.

# Puesta a punto

---

5. Haga correr 3 galones de agua a través del filtro antes de beber o utilizar el agua del refrigerador. (El agua debe correr unos 6 minutos). Este procedimiento limpiará el sistema de suministro de agua y eliminará el aire de las tuberías.

Para hacer correr el agua, presione el botón Water (Agua) y luego presione la palanca del dispensador de agua con un vaso o una taza grandes. Llene el vaso, vacíelo en el fregadero de la cocina y repita el proceso.

## **NOTA**

- Es posible que se necesite realizar una limpieza adicional en algunos hogares.
6. Abra la puerta del refrigerador y asegúrese de que no haya filtraciones de agua provenientes del filtro de agua.

## **NOTA**

- Tras poner en funcionamiento el refrigerador, deje que la fábrica de hielo haga hielo durante 1 o 2 días. Pasado este tiempo, deseche las primeras 1 o 2 cubetas de hielo para asegurarse de que se hayan eliminado todas las impurezas de la tubería de agua.
- Solamente conecte la tubería de agua a una fuente de agua potable.
- Si debe reparar o desensamblar la tubería de agua, recorte 1/4" (6.35 mm) de la tubería de plástico para asegurarse de que la conexión sea perfecta y libre de pérdidas.
- Puede probar rápidamente la tubería del agua con un vaso de papel. En condiciones normales, el dispensador de agua puede llenar un vaso de 5.75 oz (170 cc) en aproximadamente 10 segundos.

---

## Finalización de la instalación

---

Ahora que ya tiene el nuevo refrigerador instalado en su lugar, puede configurarlo y disfrutar de sus funciones.

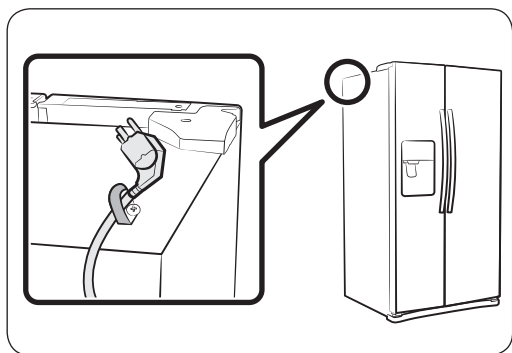
Complete los siguientes pasos para poner el refrigerador en funcionamiento.

1. Asegúrese de que el refrigerador se encuentre en una ubicación apropiada a una distancia razonable de la pared. Consulte las instrucciones de instalación de este manual.
2. Una vez enchufado, asegúrese de que la luz interior se encienda cuando se abran las puertas.
3. Coloque el control de temperatura en la marca más fría y espere una hora. El congelador comenzará a enfriarse y el motor funcionará adecuadamente. Restablezca la temperatura del refrigerador y del congelador que desee.
4. Después de enchufar el refrigerador, tardará algunas horas en alcanzar la temperatura adecuada. Podrá almacenar alimentos y bebidas en el refrigerador una vez que la temperatura sea lo suficientemente baja.

### NOTA

- Si hay condensación o gotas de agua en ambos lados de la parte central de la puerta del refrigerador, apague el modo Ahorro de energía después de retirar la condensación. (Consulte la explicación del botón Energy Saver (Ahorro de energía) en “Uso del panel de control” en la página 38.)

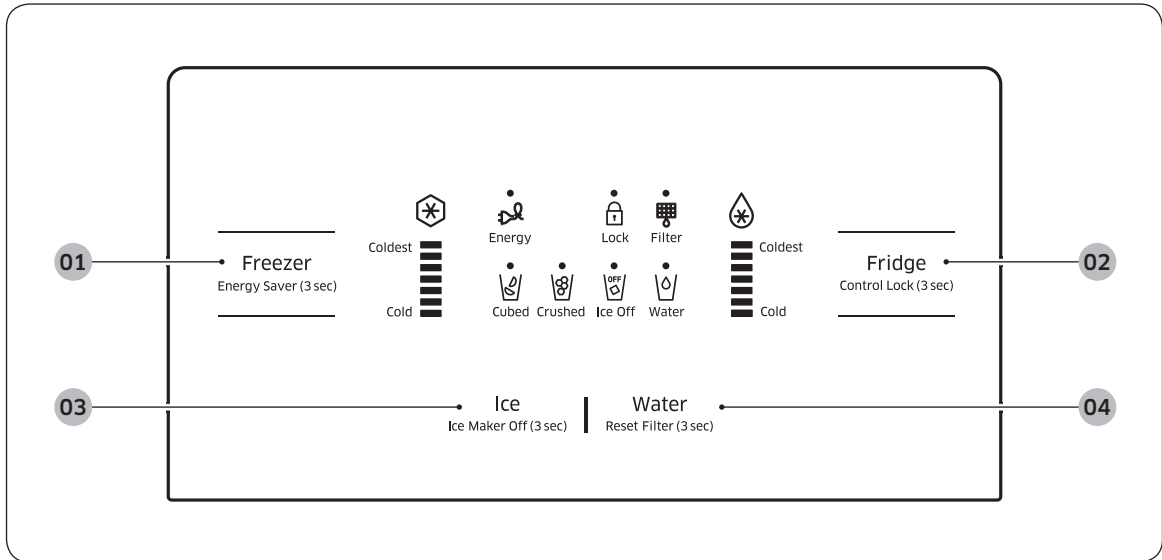
### Prevención de daños en el cable de alimentación



Para evitar que se dañe el cable de alimentación, fije el resto del cable en la parte posterior superior del refrigerador como se muestra en la ilustración.

# Funcionamiento

## Verificación del panel de control



<p><b>01</b> Freezer / Energy Saver (3 sec) (Congelador/ Ahorro de energía [3 seg.])</p>	<p>Presione el botón <b>Freezer (Congelador)</b> para ajustar la temperatura del congelador entre fría y la más fría. Presione el botón Freezer (Congelador) varias veces para activar el ícono Congelación rápida que acelera el proceso de congelación en el congelador. Esto puede ser útil si necesita congelar rápidamente alimentos que se echan a perder fácilmente o si la temperatura del congelador subió drásticamente (por ejemplo, si la puerta quedó abierta). Si necesita congelar una gran cantidad de alimentos, active la función Congelación rápida como mínimo 20 horas antes de poner alimentos en el congelador. Mantenga presionado el botón <b>Freezer (Congelador)</b> durante 3 segundos para activar la función Ahorro de energía para una mejor eficiencia energética. Si se produce condensación en las puertas, apague la función Ahorro de energía.</p>
--	--

<b>02</b> Fridge/ Control Lock (3 sec) (Refrigerador/ Bloqueo del control [3 seg.])	<p>Presione el botón <b>Fridge (Refrigerador)</b> para ajustar la temperatura del refrigerador entre fría y la más fría.</p> <p>Mantenga presionado el botón Fridge (Refrigerador) varias veces para activar la función Refrigeración rápida que acelera el proceso de enfriamiento del refrigerador.</p> <p>Si mantiene presionado el botón <b>Fridge (Refrigerador)</b> durante 3 segundos, todos los botones se bloquean y la palanca del dispensador no funciona.</p>
<b>03</b> Ice / Ice Maker Off (3 sec) (Hielo/ Fábrica de hielo desactivada [3 seg.])	<p>Presione el botón <b>Ice (Hielo)</b> para elegir hielo en cubos o hielo triturado.</p> <p>Mantenga presionado el botón <b>Ice (Hielo)</b> durante 3 segundos para desactivar la fábrica de hielo.</p> <p>Mantenga presionado el botón Ice (Hielo) nuevamente durante 3 segundos para volver a activar la fábrica de hielo.</p> <p>Tenga en cuenta que el modo "ICE MAKER OFF" se desactivará si se mantiene pulsada la palanca de hielo ("ICE" marcado en la palanca) durante mas de 5 segundos.</p>
<b>04</b> Water (Reset Filter (3 sec) (Agua [Restablecer el filtro (3 seg.)])	<p>Presione el botón <b>Water (Agua)</b> para activar el dispensador de agua.</p> <p>Mantenga presionado el botón <b>Water (Agua)</b> durante 3 segundos después de reemplazar el filtro para restablecer el indicador del filtro de agua.</p>

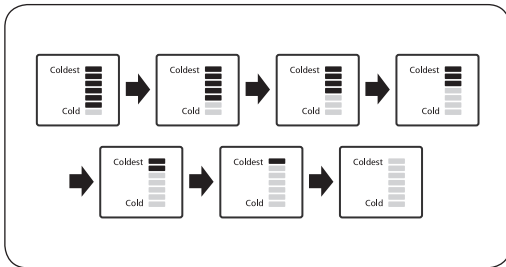
### NOTA

- Para desactivar las funciones secundarias (como Hielo desactivado y Bloqueo control), mantenga presionado nuevamente el botón correspondiente durante 3 segundos.

# Funcionamiento

## Uso del panel de control

### Congelador/refrigerador (ajuste de temperatura)



Presione el botón **Freezer (Congelador)** o **Fridge (Refrigerador)** hasta ajustarlo a la temperatura deseada.

Para una temperatura más baja, presione el botón **Freezer (Congelador)** o **Fridge (Refrigerador)** hasta que se enciendan más LED (más fría).

Para una temperatura más alta, presione el botón **Freezer (Congelador)** o **Fridge (Refrigerador)** hasta que se enciendan menos LED (menos fría).

Cada vez que presiona el botón **Freezer (Congelador)** o **Fridge (Refrigerador)**, el indicador de temperatura cambia en el orden que se indica a continuación.



#### Congelación rápida

Este ícono se enciende cuando activa la función Congelación rápida.

La función Congelación rápida genera aire frío durante 50 horas continuas y enfría el congelador más rápido.







Esta función resulta útil cuando necesita reducir la temperatura del congelador o fabricar hielo más rápidamente.

Si el congelador está lo suficientemente frío o si ya tiene suficiente cantidad de hielo, pulse el botón Freezer (Congelador) nuevamente para cancelar la función Congelación rápida.


#### **NOTA**

- Cuando utiliza esta función, el consumo de energía del refrigerador puede aumentar.

Recuerde desactivarla cuando no la necesite y restablezca el ajuste de temperatura original del congelador.

 Ahorro de energía	Este ícono se enciende cuando activa la función Ahorro de energía. La función Ahorro de energía se establece en "ON" (ENCENDIDO) automáticamente cuando se enchufa el refrigerador. Si se produce condensación en las puertas, apague la función Ahorro de energía.
 Bloqueo del control	Este ícono se enciende cuando activa la función Bloqueo. Cuando el ícono de Bloqueo se enciende, todos los botones del panel, incluidos el botón Ice (Hielo) y los dispensadores, se bloquean y se desactivan. Mantenga presionado el botón Fridge (Refrigerador) durante 3 segundos para desactivar la función Bloqueo y reactivar los botones del panel.
 Indicador del filtro	Este ícono cambia a rojo cuando es necesario reemplazar el filtro, normalmente después de que el refrigerador haya dispensado unos 300 galones de agua (o después de aproximadamente 6 meses). El ícono parpadea en rojo durante varios segundos cuando se abre y se cierra la puerta. El indicador se apagará cuando se inserte el filtro del agua.
 Refrigeración rápida	Este ícono se enciende cuando activa la función Refrigeración rápida. La función Refrigeración rápida es excelente para bajar la temperatura del refrigerador rápidamente. Si activa la función Refrigeración rápida, la temperatura dentro del refrigerador desciende en aproximadamente dos horas y media. Cuando desee apagar la función Refrigeración rápida, vuelva a presionar el botón Fridge (Refrigerador).
 Cubed (Cubos)   Crushed (Triturado)	Sírvase hielo en cubos o triturado seleccionando su preferencia en el panel de control digital. La luz del tipo de hielo indica el tipo de hielo seleccionado.
 Hielo desactivado	Este ícono se enciende cuando activa la función Hielo desactivado. Cuando el ícono Ice Off (Hielo desactivado) está encendido, la máquina de hielo está desactivada.

# Funcionamiento

 Water (Agua)	Este ícono se enciende cuando activa la función Agua. Cuando el ícono Water (Agua) está encendido, el dispensador de agua está activado.
Visor apagado	Para ahorrar energía, el panel del visor se apaga automáticamente en las siguientes condiciones: no se presionó ningún botón, no se abrió ninguna puerta o no se empujó la palanca del dispensador durante un tiempo. Sin embargo, el ícono que indica la selección de agua o hielo en cubos/triturado queda encendido. Cuando presione un botón, abra una puerta o empuje la palanca del dispensador, el panel del visor volverá a encenderse. Todos los botones de funciones, excepto los de Water (Agua) y Ice (Hielo), volverán a funcionar cuando retire el dedo del botón que está presionando.

## PRECAUCIÓN

- Si la tubería de suministro de agua del refrigerador no está conectada y no se suministra agua al refrigerador, este emitirá ruidos inusuales cuando se active la fábrica de hielo o si se presiona la palanca del dispensador de agua.  
Para silenciar estos ruidos, presione el botón Ice (Hielo) hasta que se encienda el ícono Ice Off (Hielo desactivado) (al menos 3 segundos) para indicar que se ha desactivado la fábrica de hielo.  
Si la tubería de agua está conectada y el refrigerador emite ruidos inusuales, verifique si la válvula de suministro de agua de la tubería conectada está cerrada e impide la entrada de agua en el refrigerador.  
Si la válvula está cerrada, ábrala.

## Modo de enfriamiento desactivado (Modo Demo/Tienda)

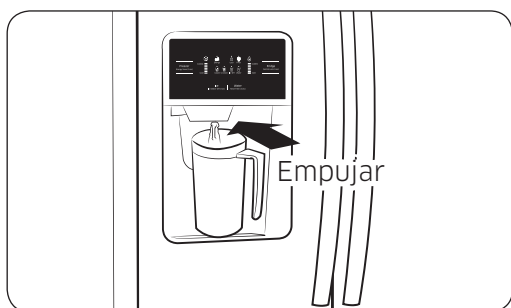
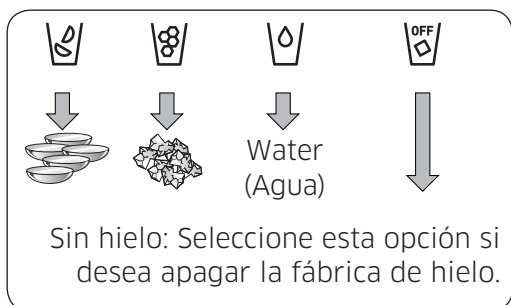
### NOTA

- El modo Enfriamiento desactivado (también llamado modo Tienda o modo Demo) está diseñado para que lo usen los distribuidores cuando exhiben los refrigeradores en las tiendas.  
En el modo Enfriamiento desactivado, el motor del ventilador del refrigerador y las luces funcionan normalmente, pero los compresores no lo hacen, por lo tanto, el refrigerador y el congelador no se enfrían.
- Para iniciar el modo Enfriamiento desactivado, mantenga presionado el botón Freezer (Congelador), el botón Ice (Hielo) y el botón Fridge (Refrigerador) durante 5 segundos durante el funcionamiento normal.  
Se oye el repique del refrigerador y en la pantalla aparece una animación (indicador de temperatura del congelador/refrigerador en movimiento).

### ⚠ PRECAUCIÓN

- Si parece que el refrigerador funciona pero no enfría y se mueven los indicadores de temperatura del congelador y refrigerador, el refrigerador está en el modo Enfriamiento desactivado. Para cancelar el modo Enfriamiento desactivado, siga las indicaciones anteriores.

## Uso del dispensador de hielo y agua fría



### Uso del dispensador de agua

Presione el botón Water (Agua) del panel de control.

Coloque el vaso debajo de la salida de agua y empuje con suavidad contra la palanca del dispensador hasta que oiga un clic.

Asegúrese de que el vaso esté alineado con el dispensador para evitar que el agua salpique.

# Funcionamiento

---

## Para obtener agua más fría

- Se dispensa agua fría, no helada.
- Si desea agua más fría, primero vierta hielo en el vaso y después llene este con agua para impedir que esta se derrame.

## Uso del dispensador de hielo

Pulse el botón Ice (Hielo) para seleccionar el tipo de hielo que desea.

Coloque el vaso debajo del dispensador de hielo y empuje con suavidad contra la palanca del dispensador.

Asegúrese de que el vaso esté alineado con el dispensador para impedir que se caiga el hielo.

Cuando selecciona hielo en cubos después de dispensar hielo triturado, puede producirse una pequeña cantidad de hielo triturado residual.

---

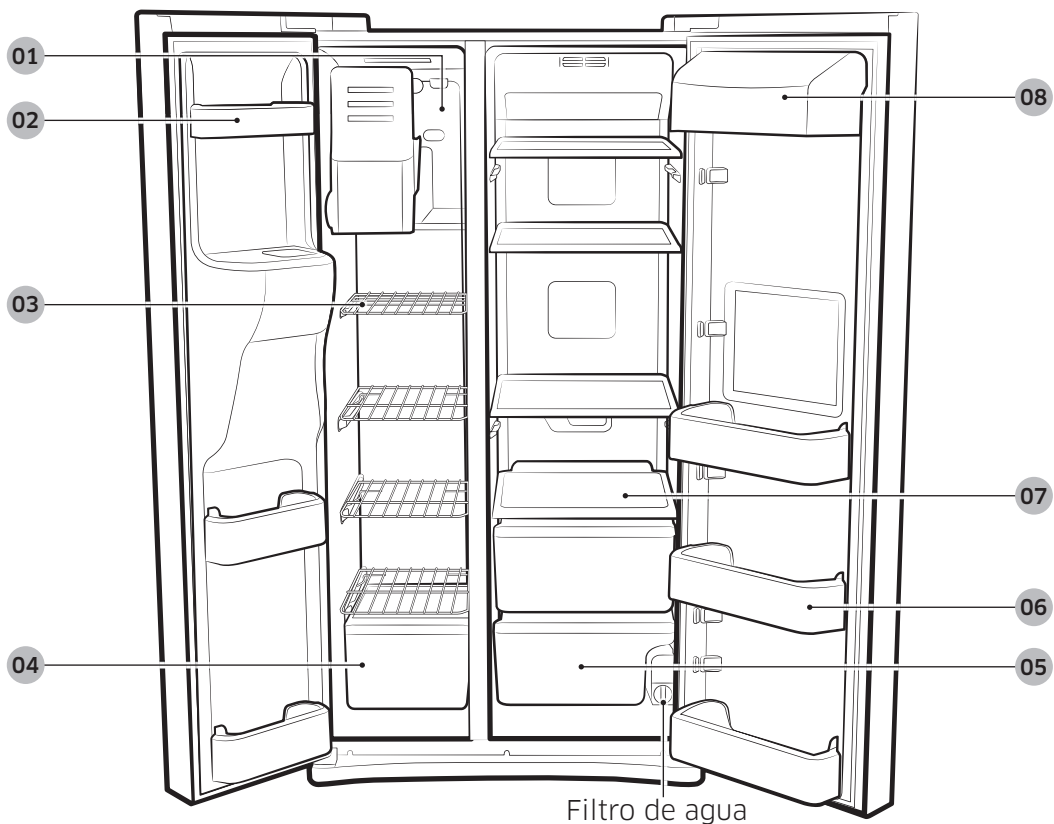
## Almacenamiento de alimentos

---

El refrigerador Side-By-Side de Samsung se ha diseñado para brindarle funciones y características de mayor aprovechamiento de espacio.

A continuación se describen algunos de los compartimientos personalizados que hemos creado para mantener los alimentos más frescos durante más tiempo.

**Importante:** Para que los olores no impregnen el hielo de la fábrica de hielo, envuelva los alimentos de manera segura y tan herméticamente como sea posible.



### PRECAUCIÓN

- Debido a que las siguientes instrucciones de funcionamiento corresponden a diversos modelos, es posible que las características de su refrigerador difieran ligeramente de las que se describen en este manual.

# Funcionamiento

## Almacenamiento de alimentos en el congelador

<b>01</b> Espacio adicional	Se puede utilizar para guardar alimentos congelados, como pizzas, pasta, burritos y fajitas. Para que los olores no impregnen el hielo, los alimentos que se almacenan deben envolverse de manera segura.
<b>02</b> Compartimientos de las puertas	Pueden utilizarse para paquetes pequeños de comida congelada.
<b>03</b> Estantes	Se puede utilizar para guardar alimentos congelados.
<b>04</b> Cajón del congelador	El mejor lugar para guardar carnes y otros alimentos congelados. Para una mejor conservación, los alimentos que se almacenan deben envolverse bien con papel de aluminio o cualquier otro tipo de material o recipiente apropiado.

## Almacenamiento de alimentos en el refrigerador

<b>05</b> Cajón para frutas y vegetales	Se utiliza para preservar la frescura de las frutas y vegetales almacenados.
<b>06</b> Compartimiento de la puerta	Diseñado para colocar artículos grandes y voluminosos como envases grandes de leche u otras botellas y recipientes de gran capacidad.
<b>07</b> Estante de vidrio	Diseñados para ser resistentes a las grietas. Se pueden utilizar para almacenar todo tipo de alimentos y bebidas. Las marcas circulares en la superficie del vidrio son un fenómeno normal y generalmente se pueden limpiar con un paño húmedo.
<b>08</b> Compartimiento de los lácteos	Se puede utilizar para almacenar lácteos de poco tamaño como mantequilla o margarina, yogur o queso crema en envase rectangular.

### **NOTA**

- Las botellas se deben almacenar unas junto a otras de manera tal que no se resbalen o caigan cuando se abre la puerta del refrigerador.

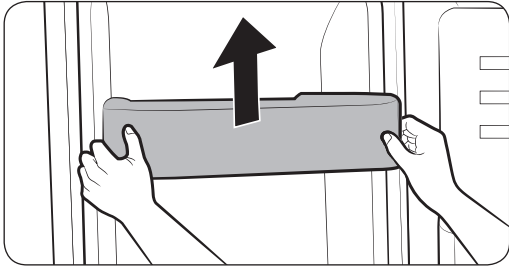
### **ADVERTENCIA**

- Si tiene planificado irse de vacaciones por mucho tiempo, vacíe el refrigerador y apáguelo. Retire el exceso de humedad del interior del electrodoméstico y deje las puertas abiertas. Así evitará que aparezcan olores y moho.
- Si el refrigerador no se utilizará durante mucho tiempo, debe desenchufarlo.
- El deterioro del aislamiento del cable de alimentación puede provocar un incendio.

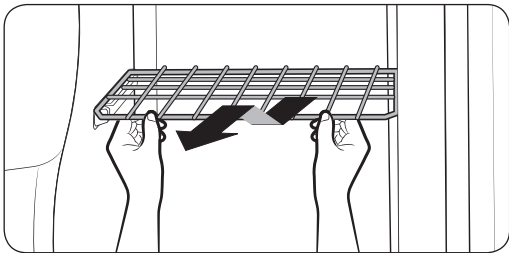
---

## Cómo retirar los accesorios del congelador/refrigerador

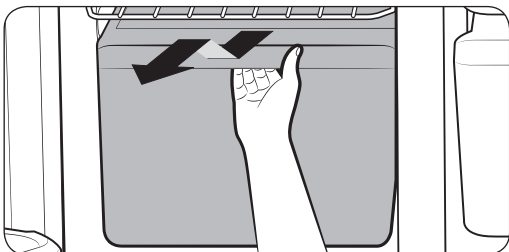
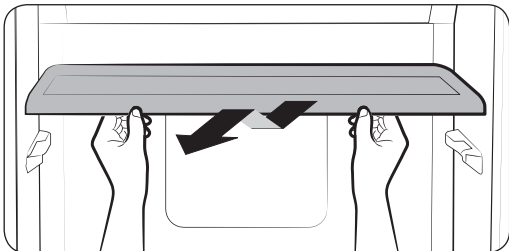
---



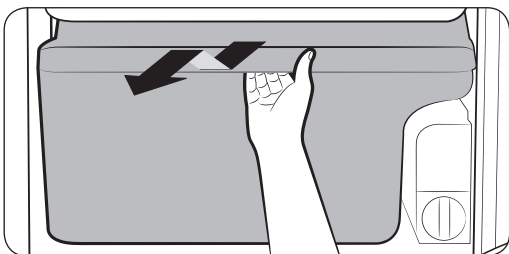
**1. Compartimientos de las puertas**  
Para separar el compartimiento de la puerta, sujételo firmemente con ambas manos y levántelo suavemente.



**2. Estantes**  
Jale el estante hacia afuera hasta donde llegue.  
Luego levántelo y retírelo.  
(estantes metálicos/vidrio)



**3. Cajón**  
Para retirar, jale lo más posible los cajones hacia fuera y luego levántelos suavemente para quitarlos.  
(Cajón/cajón para frutas y vegetales)



# Funcionamiento

---

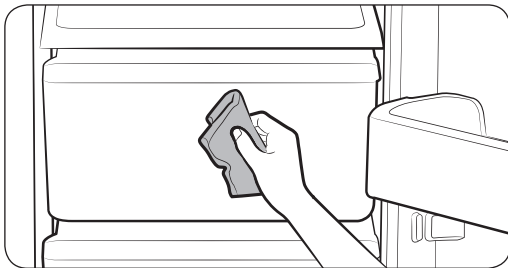
## Limpeza del refrigerador

---

El cuidado del refrigerador Side-By-Side de Samsung prolonga su vida útil y ayuda a que no se filtren olores ni gérmenes.

### Limpeza del interior

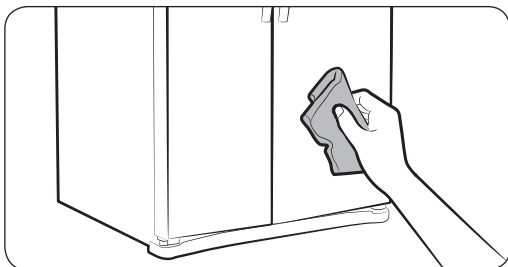
---



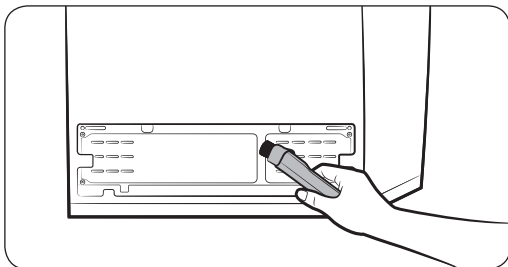
Limpe las paredes internas y los accesorios con un detergente neutro, luego séquelos con un paño suave. Puede retirar los cajones y estantes para limpiar a fondo. Asegúrese de secarlos antes de colocarlos nuevamente en su lugar.

### Limpeza del exterior

---



Limpe el panel digital y el panel del visor con un paño limpio y suave. Pulverice el agua sobre el paño de limpieza en vez de pulverizar directamente sobre la superficie del refrigerador. Así garantizará una distribución uniforme de la humedad sobre la superficie.



Las puertas, las manijas y las superficies del gabinete se deben limpiar con un detergente neutro y luego secar con un paño suave.

Para que el refrigerador luzca mejor que nunca, recomendamos pulir el exterior una o dos veces al año.

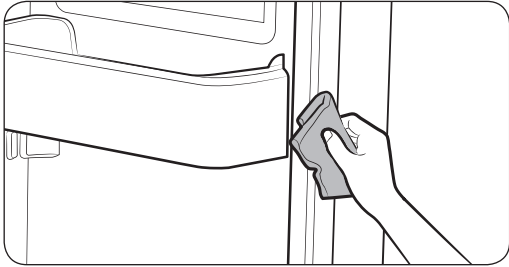
### **⚠ ADVERTENCIA**

- No utilice benceno, solvente o Clorox™ (blanqueador) para limpiarlo. Pueden dañar la superficie del electrodoméstico y provocar un incendio.

---

## Limpeza de los burletes de goma de la puerta

---



Si los burletes de goma de la puerta están sucios, es posible que las puertas no cierren correctamente, y el refrigerador no funcionará como corresponde. Mantenga los burletes libres de polvo o suciedad limpiando las puertas con un detergente neutro y un paño húmedo. Séquelos con un paño limpio y suave.

### **PRECAUCIÓN**

- No pulverice el refrigerador con agua mientras está enchufado, ya que puede provocar una descarga eléctrica. No limpie el refrigerador con benceno, solvente o detergente para automóviles ya que puede provocar un incendio.

---

## Reemplazo de la luz tipo LED

---

### **PRECAUCIÓN**

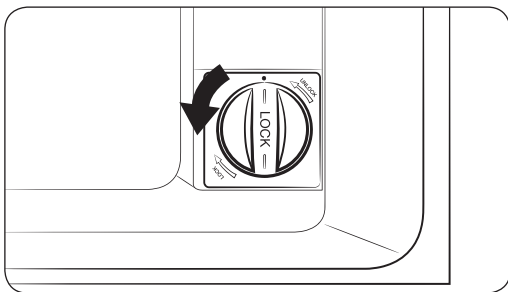
- No desensamble ni reemplace la luz tipo LED. Para reemplazar la luz tipo LED, comuníquese con un Centro de Servicio de Samsung.

# Funcionamiento

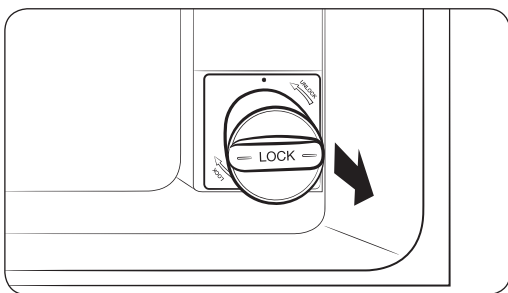
## Cambio del filtro de agua

### NOTA

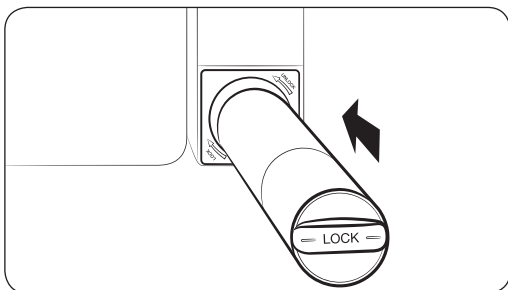
- Reemplace el filtro de agua cuando el indicador de filtro cambie a rojo. El filtro de agua está ubicado en el lado inferior derecho del refrigerador.
- Para cambiar el filtro de agua más fácilmente, cierre la válvula de suministro de agua y luego drene cualquier resto de agua de la tubería presionando el botón Water (Agua) y luego presionando la palanca del dispensador de agua con un vaso.



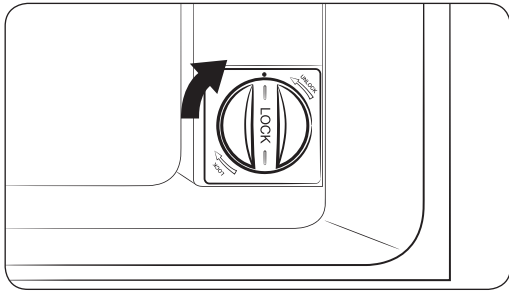
1. Gire el filtro de agua 90° en el sentido contrario al de las agujas del reloj.



2. Extraiga el filtro de agua del alojamiento del filtro.



3. Inserte un nuevo filtro de agua en el alojamiento.



4. Gire el nuevo filtro de agua 90° en el sentido de las agujas del reloj.

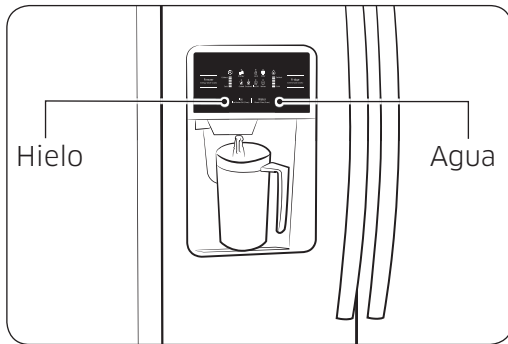
5. Mantenga presionado el botón Water (Agua) durante 3 segundos después de reemplazar el filtro para restablecer el indicador de filtro.

Confirme que el indicador cambia a azul. Cuando reemplace el filtro de agua, puede derramarse algo de agua del alojamiento del filtro.

Seque bien el agua que pueda haberse derramado.

# Funcionamiento

## Remoción de los materiales residuales del interior de la tubería de suministro de agua después de instalar un filtro nuevo



1. Abra el suministro de agua principal.
2. Presione el botón Water (Agua) del panel de control. Coloque una taza o un vaso debajo de la salida de agua y empuje con suavidad contra la palanca del dispensador hasta que oiga un clic.
3. Haga correr 3 galones de agua a través del filtro.  
(El agua debe correr unos 6 minutos.)  
Este procedimiento limpiará el sistema de suministro de agua y eliminará el aire de las tuberías.
4. Es posible que se necesite realizar una limpieza adicional en algunos hogares.
5. Abra la puerta del refrigerador y asegúrese de que no haya filtraciones de agua provenientes del filtro de agua.

### **NOTA**

- Un cartucho del filtro de agua recién instalado puede causar que el agua brote con fuerza brevemente del dispensador de agua.  
Esto se debe al aire que entra en la tubería.  
No presenta ningún problema al funcionamiento del refrigerador.

## Recomendaciones de almacenamiento de alimentos

Alimentos	Refrigerador	Congelador	Recomendaciones de almacenamiento
<b>Lácteos</b>			
Mantequilla	2-3 semanas	6-9 meses	Envolver o cubrir muy bien.
Leche	1-2 semanas	No recomendado	Verificar el código de fecha. La leche y los productos similares suelen venderse en envases de cartón con código de fecha de vencimiento del producto. Cerrar con tapa o envolver muy bien. No volver a colocar el producto que no se ha ingerido en el envase original.
Queso crema, alimentos que contienen queso y queso unttable	2-4 semanas	No recomendado	Verificar el código de fecha. Mantener el queso envuelto firmemente evitando que se filtre la humedad.
Queso duro (sin abrir)	3-4 meses	6 meses	
Queso duro (abierto)	2 meses	No recomendado	
Requesón	10-15 días	No recomendado	
Crema	7-10 días	2 meses	Verificar el código de fecha. La mayoría de los yogures, cremas y productos similares se venden en envases de cartón con código de fecha de vencimiento del producto. Volver a cerrar o cubrir muy bien. No volver a colocar el producto que no se ha ingerido en el envase original.
Crema agria	2 semanas	No recomendado	
Salsas de crema (abiertas)	1 semana	No recomendado	
Yogur	10-14 días	No recomendado	Verificar el código de fecha. Mantener tapado.
Yogur congelado	N/A	2 meses	
<b>Huevos</b>			
Huevos (crudos)	3-4 semanas	No recomendado	Verificar el código de fecha. Almacenar los huevos en el sector más frío del refrigerador y en su recipiente original.
Huevos (cocidos)	1 semana	No recomendado	Almacenar en un recipiente tapado.
Sobras de comidas con huevo	3-4 días	No recomendado	Almacenar en un recipiente tapado.

# Funcionamiento

Alimentos	Refrigerador	Congelador	Recomendaciones de almacenamiento
<b>Frutas frescas</b>			
Manzanas	1 mes	No recomendado	Si se las almacena en el refrigerador, no las lave antes de guardarlas. Almacenar en bolsas o recipientes resistentes a la humedad. Envolver las frutas cortadas. Algunas frutas se oscurecen cuando se las enfría.
Plátanos	2-4 días	No recomendado	
Duraznos, melones, peras, aguacates	3-5 días	No recomendado	
Moras y cerezas	2-3 días	12 meses	
Chabacanos	3-5 días	No recomendado	
Uvas	2-5 días	N/A	
Piña (entera)	2-3 días	No recomendado	
Piña (cortada)	5-7 días	6-12 meses	
Cítricos	1-2 semanas	No recomendado	Almacenar sin tapa.
Jugo	6 días	No recomendado	Verificar el código de fecha y volver a almacenar cerrado en su recipiente original. No volver a colocar el producto que no se ha ingerido en el envase original.
Jugo congelado	Descongelar solamente	12 meses	Verificar el código de fecha. No volver a congelar.
<b>Pescados y mariscos</b>			
<b>Pescados</b>			
Pescado graso (caballa, trucha, salmón)	1-2 días	2-3 meses	Mantener en el envoltorio original y almacenar en el sector más frío del refrigerador. Envolver con un material resistente a la humedad y al vapor para el congelador. Congelar a 0 °F (o -18 °C). Descongelar en el refrigerador o verificar el código de fecha. Congelar en su envoltorio original.
Pescado magro (bacalao, platija, etc.)	1-2 días	6 meses	
Congelado o empanado	N/A	3 meses	
<b>Mariscos</b>			
Camarones (crudos)	1-2 días	12 meses	Para congelar, envolver en un recipiente resistente a la humedad y al vapor.
Cangrejo	3-5 días	10 meses	
Pescado o mariscos cocidos	2-3 días	3 meses	

Alimentos	Refrigerador	Congelador	Recomendaciones de almacenamiento
<b>Carne</b>			
<b>Fresca, cruda</b>			
Chuletas	2-4 días	6-12 meses	Verificar el código de fecha antes de usar. Almacenar en el sector más frío del refrigerador en su envoltorio original. Colocar dentro de un recipiente resistente al vapor y a la humedad para congelar. La temperatura recomendada para el refrigerador es de 33 °F a 36 °F (o 1 °C a 2 °C) y la temperatura para el congelador es 0 °F a 2 °F (o -18 °C a -16 °C)
Molida	1 día	3-4 meses	
Asada	2-4 días	6-12 meses	
Tocino	1-2 semanas	1-2 meses	
Salchichas	1-2 días	1-2 meses	
Bistec	2-4 días	6-9 meses	
Aves	1 día	12 meses	
Fiambres	3-5 días	1 mes	
<b>Cocida</b>			
Carne	2-3 días	2-3 meses	Verificar el código de fecha antes de usar. Almacenar en el sector más frío del refrigerador en su envoltorio original. Colocar dentro de un recipiente resistente al vapor y a la humedad para congelar.
Aves	2-3 días	4-5 meses	
Jamón	1-2 semanas	1-2 meses	

### Fuentes:

American Meat Institute Foundation. 1994. Páginas amarillas: respuestas a preguntas previsibles que los consumidores realizan con respecto a la carne y a las aves. American Meat Institute Food Marketing Institute. 1999. The food keeper. Food Marketing Institute, Washington, D.C.

Freeland-Graves, J.H. and G.C. Peckham. 1996. Foundations of food preparation, 6th ed. Prentice-Hall, Inc. Englewood Cliffs, NJ.

Hillers, V.N. 1993. Storing foods at home. Washington State University Cooperative Extension, Pullman, WA. Publ. EB 1205.

National Restaurant Association. 2001. Be cool-chill out! Refrigerate promptly. National Restaurant Association Education Foundation

International Food Safety Council, Washington, D.C.

USDA. 1997. Basics for handling food safely. U.S. Department of Agriculture, Food Safety and Inspection Service, Washington, D.C.

# Solución de problemas

Problema	Solución
El refrigerador no funciona en absoluto o no enfría lo suficiente.	<ul style="list-style-type: none"> <li>• Verifique que el enchufe esté correctamente conectado.</li> <li>• ¿El control de temperatura en el panel del visor está ajustado a la temperatura correcta? Intente ajustarlo a una temperatura inferior.</li> <li>• ¿El refrigerador está ubicado directamente al sol o demasiado cerca de una fuente de calor?</li> <li>• ¿La parte posterior del refrigerador está demasiado cerca de la pared y por lo tanto no permite la circulación del aire?</li> <li>• Verifique si la modo de enfriamiento desactivado está activada. Si el indicador de temperatura del congelador/ refrigerador se mueve, consulte la página 40 para cancelar la modo Enfriamiento desactivado.</li> </ul>
La comida en el refrigerador está congelada.	<ul style="list-style-type: none"> <li>• ¿El control de temperatura en el panel del visor está ajustado a la temperatura correcta? Intente ajustarlo a una temperatura más alta.</li> <li>• ¿La temperatura de la habitación es muy baja?</li> <li>• ¿Colocó alimentos con elevado contenido de agua en la parte más fría del refrigerador?</li> </ul>
Escucha ruidos o sonidos fuera de lo normal.	<ul style="list-style-type: none"> <li>• Confirme que el refrigerador esté nivelado y estable.</li> <li>• Si la tubería de suministro de agua del refrigerador no está conectada y no se suministra agua al refrigerador, este emitirá ruidos inusuales cuando se active la fábrica de hielo o si se presiona la palanca del dispensador de agua. Para silenciar estos ruidos, presione el botón Ice (Hielo) durante por lo menos 3 segundos hasta que se encienda el ícono Ice Off (Hielo desactivado) para indicar que se ha desactivado la fábrica de hielo.</li> <li>• Escucha un “tic” proveniente del interior del refrigerador. Esto es normal y ocurre porque varias piezas del interior del refrigerador se contraen o expanden en respuesta a cambios de temperatura.</li> </ul>
Las esquinas frontales del refrigerador están calientes y se está generando condensación.	<ul style="list-style-type: none"> <li>• Es normal que se genere algo de calor ya que los anticondensadores están instalados en las esquinas frontales del refrigerador para impedir la condensación.</li> <li>• ¿Está la puerta del refrigerador entreabierta? Puede producirse condensación cuando deja la puerta abierta por mucho tiempo.</li> </ul>

Problema	Solución
El hielo no sale.	<ul style="list-style-type: none"> <li>• ¿Esperó 12 horas después de haber instalado la tubería de suministro de agua antes de fabricar hielo?</li> <li>• ¿Está conectado el suministro de agua y abierta la válvula de cierre?</li> <li>• ¿Detuvo manualmente la función para hacer hielo? Asegúrese de que Ice Type (Tipo de hielo) está ajustado en Cubed (En cubos) o Crushed (Triturado).</li> <li>• ¿Hay hielo bloqueado dentro de la cubeta de la fábrica de hielo?</li> <li>• ¿Está demasiado alta la temperatura del congelador? Baje la temperatura del congelador.</li> </ul>
Se oye un burbujeo de agua dentro del refrigerador.	<ul style="list-style-type: none"> <li>• Esto es normal. Las burbujas pertenecen al líquido refrigerante que circula a través del refrigerador.</li> </ul>
Hay mal olor en el refrigerador.	<ul style="list-style-type: none"> <li>• ¿Se ha descompuesto algún alimento?</li> <li>• Asegúrese de que los alimentos con olor fuerte (como, por ejemplo, el pescado) estén envueltos herméticamente.</li> <li>• Limpie el congelador periódicamente y deseche los alimentos descompuestos o que considera que pueden descomponerse.</li> </ul>
Se forma escarcha en las paredes del congelador.	<ul style="list-style-type: none"> <li>• ¿Está bloqueada la ventilación de aire? Quite cualquier obstrucción de modo que el aire pueda circular libremente.</li> <li>• Deje espacio suficiente entre los alimentos almacenados para la correcta circulación del aire.</li> <li>• ¿La puerta del congelador está correctamente cerrada?</li> </ul>
El dispensador de agua no funciona.	<ul style="list-style-type: none"> <li>• ¿Está conectado el suministro de agua y abierta la válvula de cierre?</li> <li>• ¿Está la tubería de suministro de agua aplastada o enroscada? Asegúrese de que la tubería esté libre y sin obstrucciones.</li> <li>• ¿Está congelado el tanque de agua porque la temperatura del refrigerador está demasiado baja? Seleccione una temperatura más alta en el panel principal del visor.</li> </ul>

# Garantía (USA)

---

## **Garantía del refrigerador samsung**

### GARANTÍA LIMITADA PARA EL COMPRADOR ORIGINAL

Este producto de marca Samsung, suministrado y distribuido por Samsung Electronics America, Inc. (Samsung) y entregado nuevo, en su caja de fábrica al comprador original, está garantizado por Samsung ante defectos de fabricación relacionados con los materiales y la mano de obra durante un período de garantía limitado a:

**Un (1) año para las piezas y la mano de obra del refrigerador**

**Cinco (5) años para las piezas y la mano de obra exclusivamente del sistema hermético de refrigeración\***

**Diez (10) años para las piezas y cinco (5) años para la mano de obra para el compresor Inverter digital**

(\*Compresor, evaporador, condensador, deshumidificador, tuberías de conexión.)

Esta garantía limitada entra en vigencia en la fecha original de compra y solo es válida para productos adquiridos y utilizados en los Estados Unidos. Para recibir el servicio técnico bajo garantía, el comprador debe comunicarse con Samsung para determinar la naturaleza del problema y proceder a repararlo. El servicio de garantía solo puede realizarse a través de un Centro de Servicio autorizado Samsung. Debe presentarse la factura original de venta bajo solicitud de Samsung o del Centro de Servicio autorizado Samsung como prueba de compra.

Samsung reparará o reemplazará cualquier pieza considerada defectuosa, a nuestra entera discreción y sin cargo, según lo estipulado en este documento, por piezas nuevas o reparadas durante el período de garantía limitada especificado anteriormente. Todas las piezas y productos reemplazados son de propiedad de Samsung y deben devolverse a Samsung. Las piezas y los productos de repuesto quedarán bajo el período restante de garantía original, o noventa (90) días, lo que sea más extenso.

La prestación de servicios en el hogar se realizará durante el período de garantía de la mano de obra, sujeto a disponibilidad dentro de los Estados Unidos. La prestación de servicios en el hogar no está disponible en todas las zonas. Para recibir la prestación de servicio en el hogar, el producto debe estar despejado y ser accesible al nivel del piso para el personal de servicio técnico. Si durante la prestación de servicios en el hogar, no pudiera llevarse a cabo la reparación, podría ser necesario realizar el traslado, reparación y posterior devolución del producto. Si la prestación de servicios en el hogar no está disponible, Samsung podría escoger, a nuestra entera discreción, proporcionar transporte a nuestra elección hasta y desde el Centro de Servicio autorizado Samsung. De lo contrario, el transporte hasta y desde el Centro de Servicio autorizado Samsung estará a cargo del comprador.

---

Esta garantía limitada cubre defectos de fabricación en materiales y mano de obra bajo condiciones de uso normal, no comercial, del producto y no se aplicará en los siguientes casos, incluidos, aunque no limitados a: daños ocasionados durante el transporte; entrega e instalación; aplicaciones y usos para los que el producto no fue diseñado; producto o números de serie alterados; daños externos o del acabado exterior; accidentes, mal uso, negligencia, incendio, agua, rayos u otros fenómenos naturales; uso de productos, equipamiento, sistemas, servicios públicos, servicios generales, piezas, suministros, accesorios, aplicaciones, instalaciones, reparaciones, tuberías externas y fugas, cableado externo, disyuntores, fusibles o conectores no suministrados ni autorizados por Samsung o que dañen este producto u ocasionen problemas de servicio; voltaje incorrecto, fluctuaciones y sobrevoltaje del suministro eléctrico; adaptaciones y fallas por parte del cliente en el cumplimiento de las instrucciones de funcionamiento, limpieza, mantenimiento y cuidado del medio ambiente que se incluyen y establecen en el manual de instrucciones; pérdida de alimentos por descomposición; consumibles incluyendo filtros y focos de iluminación.

NO EXISTEN OTRAS GARANTÍAS EXPLÍCITAS ADEMÁS DE LAS MENCIONADAS Y DESCRITAS ANTERIORMENTE, ASÍ COMO TAMPOCO EXISTEN OTRAS GARANTÍAS EXPLÍCITAS O IMPLÍCITAS, INCLUYENDO SIN LIMITACIÓN A TODAS LAS GARANTÍAS IMPLÍCITAS DE COMERCIABILIDAD O IDONEIDAD PARA UN FIN CONCRETO Y QUE SEAN PERTINENTES TRAS LOS PERÍODOS DE GARANTÍA EXPLÍCITA INDICADOS CON ANTERIORIDAD, Y NINGUNA GARANTÍA EXPLÍCITA U OFRECIDA POR PERSONAS, FIRMAS O EMPRESAS EN RELACIÓN CON ESTE PRODUCTO SERÁ LEGALMENTE VINCULANTE PARA SAMSUNG. SAMSUNG NO SERÁ LEGALMENTE RESPONSABLE DE LA PÉRDIDA DE INGRESOS O BENEFICIOS, LA FALTA DE AHORROS U OTROS BENEFICIOS, O DE NINGÚN OTRO DAÑO RESULTANTE ESPECIAL, ACCIDENTAL O INDIRECTO OCASIONADO POR EL USO, ABUSO O INCAPACIDAD DE USO DE ESTE PRODUCTO, INDEPENDIENTEMENTE DE LA TEORÍA LEGAL SOBRE LA QUE SE BASE EL RECLAMO, INCLUSO SI SAMSUNG HA SIDO ADVERTIDO DE LA POSIBILIDAD DE TALES DAÑOS. ASIMISMO, CUALQUIER TIPO DE INDEMNIZACIÓN EXIGIDA A SAMSUNG NO SUPERARÁ EL PRECIO DE COMPRA DEL PRODUCTO VENDIDO POR SAMSUNG Y QUE HAYA OCASIONADO EL SUPUESTO DAÑO. SIN LIMITAR LO INDICADO ANTERIORMENTE, EL COMPRADOR ASUME TODO EL RIESGO Y RESPONSABILIDAD DE CUALQUIER PÉRDIDA, DAÑO O LESIÓN AL SÍ MISMO O A SU PROPIEDAD, ASÍ COMO A TERCEROS Y A SU PROPIEDAD, OCASIONADOS POR EL USO, ABUSO O INCAPACIDAD DE USO DE ESTE PRODUCTO VENDIDO POR SAMSUNG QUE NO HAYAN SIDO CAUSADOS DIRECTAMENTE POR NEGLIGENCIA DE SAMSUNG. ESTA GARANTÍA LIMITADA NO SERÁ VÁLIDA PARA PERSONAS AJENAS AL COMPRADOR ORIGINAL DE ESTE PRODUCTO, ADEMÁS ES INTRANSFERIBLE Y CONSTITUYE SU RECURSO EXCLUSIVO.

# Garantía (USA)

---

Ciertos estados no permiten limitaciones en cuanto a la vigencia de una garantía implícita o la exclusión o limitación de daños accidentales o indirectos, de tal forma que las limitaciones o excepciones mencionadas tal vez no se apliquen a usted en particular. Esta garantía le otorga derechos legales específicos, e incluso puede otorgarle otros derechos que varíen de un estado a otro.

Para obtener el servicio de garantía, pónganse en contacto con Samsung en el:

## **CENTRO DE ASISTENCIA AL CLIENTE DE SAMSUNG**

Samsung Electronics America, Inc. 85 Challenger Road Ridgefield Park, NJ 07660  
1-800-SAMSUNG (1-800-726-7864) y [www.samsung.com](http://www.samsung.com)

# Notas

---

### Comment contacter Samsung dans le monde

Si vous avez des suggestions ou des questions concernant les produits Samsung, veuillez contacter le Service Consommateurs Samsung.

PAYS	APPELEZ LE	OU RENDEZ-VOUS SUR LE SITE
E.U.A.	1-800-SAMSUNG (726-7864)	<a href="http://www.samsung.com/us/support">www.samsung.com/us/support</a>
CANADA	1-800-SAMSUNG (726-7864)	<a href="http://www.samsung.com/ca/support">www.samsung.com/ca/support</a> (English) <a href="http://www.samsung.com/ca_fr/support">www.samsung.com/ca_fr/support</a> (French)

