

Visit Our Website



**SCAN ME**  
serenelifehome.com

# SereneLife



## ***SLPAC8*** **Portable Air Conditioner**

# ***USER GUIDE***

# CONTENTS

Features and Technical Specifications .....	3
Important Safety Tips .....	4
Precautions .....	4
Product Introduction .....	7
Main Parts and Components .....	7
Control Panel and Remote Controller .....	9
Product Operation .....	10
Placement and Installation .....	10
Operation Method .....	11
Clean and Maintenance .....	12
Drainage Method .....	12
Maintenance .....	13
Common Failures and Diagnosis .....	14
Intelligent Error Detection .....	14
Fuse Parameters .....	14
Troubleshooting .....	14
Register Product .....	15

## READ AND SAVE THESE INSTRUCTIONS

### California Prop 65 Warning

 **WARNING:**

This product contains Acrylonitrile which is known to the state of California to cause cancer birth defects and other reproductive harm. Do not ingest.

For more info go to: [www.P65warnings.ca.gov](http://www.P65warnings.ca.gov)

## **Features:**

- Lightweight & Portable A/C Unit
- Compact Freestanding Room Air Conditioner
- (3) Operation Modes: AC Cooling / Dehumidifier / Fan
- Hassle-Free Room Cooling, Quick Setup
- Simple Electric Plug-in Operation
- Temp Control Air Circulator Function
- Automatic Swing Mode: Moving Wind Vents for Air Circulation
- Convenient Wide-Area Climate Control Room AC Coverage
- Digital Touch Button Control Panel with LED Display
- Time, Temperature & Fan Speed Adjustment Settings
- Includes Universal Window Mount AC Exhaust Kit
- Removable & Washable Air Filter Screen
- Modern Style, Sleek Body Housing
- Energy Efficient: Low Power Consumption
- Low Noise Level Motor
- Rolling Wheels for Easy Portability
- Used for Home, Office, School & Business Rooms

## **What's in the Box**

- AC Unit
- Exhaust Hose
- Window Installation Plate
- Remote Control

## **Technical Specs:**

- Cooling Power: 8,000 BTU
- Rated Power: 900 Watt
- Coverage Area: Cools Rooms up to 215'+ Square Feet
- Air Flow: 290 Cubic Meters / Hour
- Operating Modes: Cool / Fan / Dry (Dehumidifier)
- Moisture Removal / Dehumidifier: 1.2 Liters / Hour
- Operating Noise Level: 57+/-3dBA
- Fan Speed Settings: Low / High
- Temperature Unit Selectable: °F / °C (Fahrenheit / Celsius)
- Adjustable Timer Settings: Up to 24 Hours
- Construction Material: Engineered ABS Housing
- Battery Operated Remote Control, Requires (2) x 'AAA' Batteries, Included
- Power Cable Length: 4.3'ft.
- Power Supply: 120V
- Dimensions (L x W x H): 14.6" x 13.8" x 27.2" -inches

## ***Important Safety Tips***

### **Precautions**

**Please read the Manual carefully before operating the machine:**

- This machine is for household use only.
- This machine is for indoor use only. Please place it in dry environment.
- Check power cord frequently. If power cord, plug or A/C is damaged, please don't operate. If the power cord is not long enough, power extension cable can be used. Cable should not scatter at places where power cord may be pulled out or people may be stumbled.
- The A/C should be away from heat source and avoid direct sunlight.
- Turn off the A/C before unplugging.
- Turn off and unplug the A/C before removing or cleaning it, or replacing its parts or when it is not used.
- Clean the A/C according to the Manual.
- Voltage of the A/C should meet requirements.

Any damage incurred by incorrect power isn't included in the warranty.

- Children are not allowed to play with the A/C.

This appliance is not intended for use by children, unless they have been given supervision or instruction concerning use of the appliance by a person responsible for their safety.

- Don't insert your fingers or any hard object to wind guide bar of the air outlet.
- Don't place the A/C at any place with water or other liquid.  
Prevent water or liquid from entering the A/C.
- Don't repair the A/C by yourself. Any possible hazard incurred by maintenance of laypeople will violate the warranty. If the supply cord is damaged, it must be replaced by professional maintenance personnel.
- Please use the accessories provided by the A/C manufacturer; otherwise, the A/C may be damaged.
- Cleaning and user maintenance shall not be made by children without supervision.

## READ ALL INSTRUCTIONS BEFORE USE

*Your safety and the safety of others are very important. We have provided many important safety messages in this manual and on your appliance.*

*Always read and follow all safety messages.*



This symbol indicates that this appliance uses a flammable refrigerant. If the refrigerant leaks and comes into contact with an external ignition source, there is a risk of fire.



This symbol indicates that the operation manual should be read carefully.



This symbol indicates that service personnel should handle this equipment with reference to the installation manual.



This symbol indicates that information is available, such as the operating manual or installation manual.

## REFRIGERANT (FOR R32 ONLY)



### CAUTION ON FIRE

**READ THE MANUAL CAREFULLY BEFORE USING THE APPLIANCE.**

**R32 refrigerant gas complies with international environmental directives.**

## Warnings

- Do not use methods to accelerate the defrosting process or cleaning other than those recommended by the manufacturer.
- The appliance shall be stored in a room without continuously operating ignition sources (e.g., open flames, operating gas appliances, or operating electric heaters).
- Do not pierce or burn the appliance.
- Be aware that refrigerants may not contain an odor.

### The instructions should contain the following information:

- Piping material, pipe routing, and installation should include protection from physical damage during operation and service, and comply with national and local codes and standards, such as ASHRAE 15, IAPMO Uniform Mechanical Code, ICC International Mechanical Code, or CSA B52.

- All field joints shall be accessible for inspection prior to being covered or enclosed.
- The installation of pipework should be kept to a minimum.
- Provisions should be made for expansion and contraction of long runs of piping.
- Protection devices, piping, and fittings should be protected against adverse environmental effects (e.g., the risk of water collecting and freezing in relief pipes or the accumulation of dirt and debris).
- The piping in refrigeration systems should be designed and installed to minimize the likelihood of hydraulic shock damaging the system.
- Steel pipes and components should be protected against corrosion with a rustproof coating before applying any insulation.
- Flexible pipe elements should be protected against mechanical damage, excessive stress by torsion, or other forces, and should be checked for mechanical damage annually.
- Precautions should be taken to avoid excessive vibration or pulsation.

#### **⚠ When using the product:**

- Keep any required ventilation openings clear of obstructions.
- Servicing should be performed only as recommended by the manufacturer.

#### **Unventilated Area**

- An unventilated area where the appliance using flammable refrigerants is installed should be constructed so that, in case of a refrigerant leak, it will not stagnate and create a fire or explosion hazard.
- The non-fixed appliance should be stored in an area where the size corresponds to the room area specified for operation.
- The non-fixed appliance should be stored in a room without continuously operating open flames or other potential ignition sources.
- The manufacturer should specify any other continuously operating sources known to cause ignition of the refrigerant used.
- The appliance should be stored in a manner that prevents mechanical damage.
- Non-duct connected appliances containing A2L refrigerants with air openings in the conditioned space may have the body of the appliance installed in open areas such as false ceilings (not used as return air plenums), as long as the conditioned air does not directly communicate with the air in the false ceiling.

## **Qualification of Workers**

- All operators or refrigeration circuit maintenance personnel should obtain a valid certificate issued by an industry-recognized evaluation agency to demonstrate that they have the qualifications to safely handle refrigerants, as required by the industry-recognized evaluation scope.
- Perform equipment maintenance and repairs only in accordance with the methods recommended by the appliance manufacturer.  
If another professional is required to assist in maintenance and repairs, it should be carried out under the supervision of personnel qualified to handle flammable refrigerants.

## **Special Warning:**

- Place the A/C on even ground and install it vertically, so as to ensure normal operation of the compressor.
- The A/C should be at least 50cm away from surrounding objects.  
Keep air inlet and outlet smooth.
- Don't use the A/C beside gasoline or any other inflammable liquid.
- Don't use spraying agent and other solvent or flammable substances near the A/C; otherwise, its plastic may deform and electric parts may be damaged.

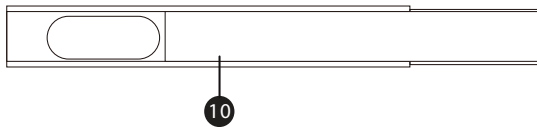
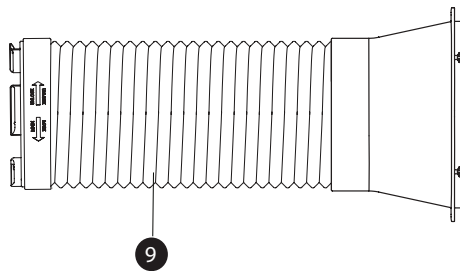
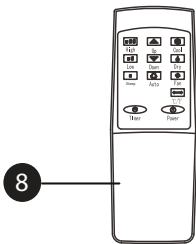
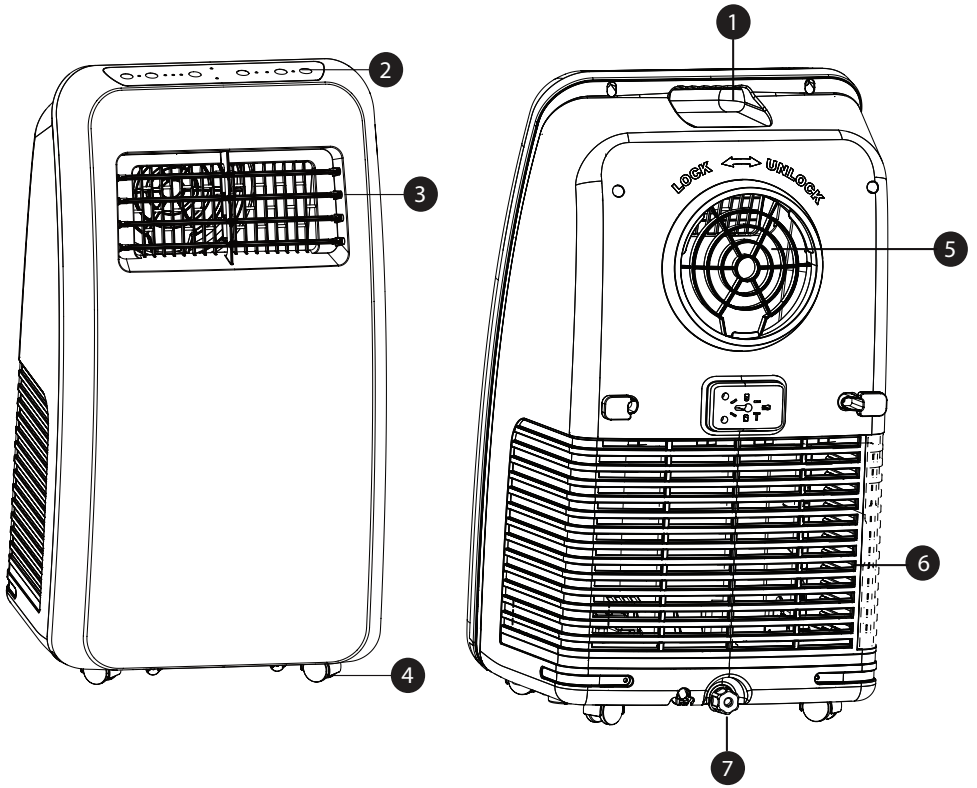
## **Power**

- The plug should be in good condition and can't be damaged.  
Don't replace the plug with power plug.
- In order to run the A/C, plug the power cord first, and then press the power key.
- Place unit in upright position for 2 hours before turning on for first time.

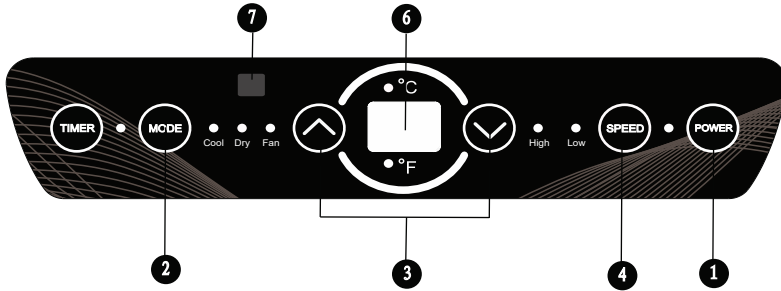
## ***Product Introduction***

### **MAIN PARTS AND COMPONENTS**

1. Handle
2. Control panel
3. Louver
4. Caster
5. Air outlet
6. Air inlet
7. Drainage nozzle
8. Remote controller
9. Exhaust duct assembly
10. Window sealing plate assembly



## Control Panel and Remote Controller



### Cooling Model

#### 1. Power key

Press the key to turn ON/OFF the A/C.

#### 2. Mode key

Press the key to choose cool, fan and dry.

#### 3. Temperature/ time adjusting key

Press the key at cooling mode to increase/ reduce the setting temperature; press it at timing mode to adjust time; press Up and Down keys simultaneously to switch Fahrenheit and Centigrade degree temperature.

#### 4. Speed key

Press the key to choose high/low speed.

#### 5. Timer key

Press the key at standby mode to set ON time.  
Press this key at ON mode to set OFF time.

#### 6. Temperature/ Time Display Window

Displays the adjusted temperature and time

#### 7. Remote controller receiving window

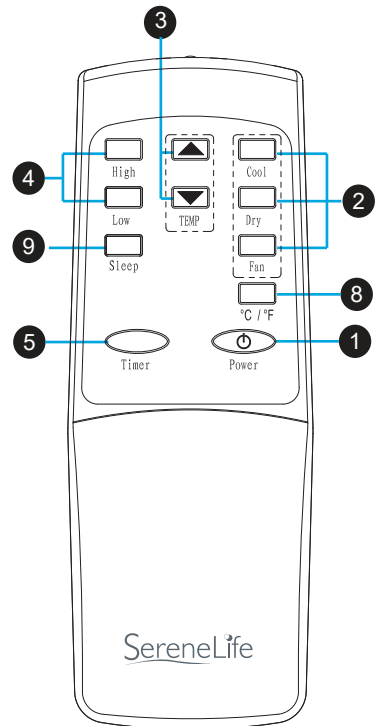
It is used to receive signal of the remote controller.

#### 8. °C/°F switching key

Press the key to switch °C and °F

#### 9. Sleep key

In the cooling mode, the sleep mode can be selected by this key

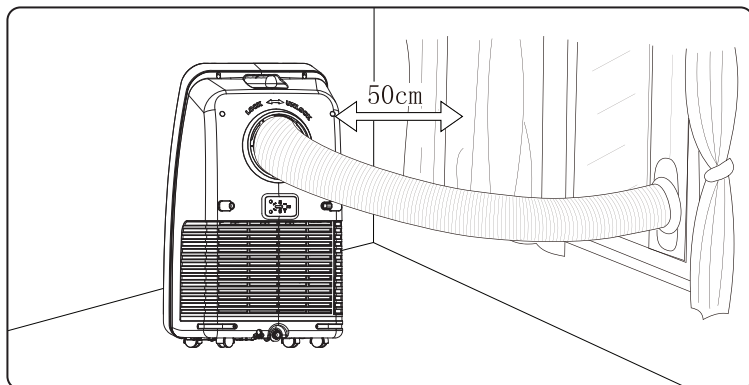


## Product Operation

### Placement and Installation

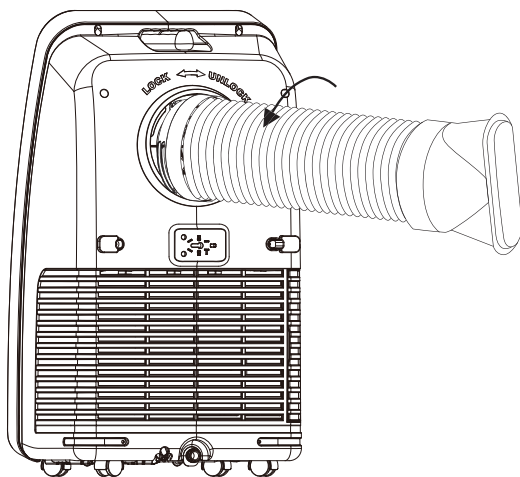
#### Placement

Place it at even and dry place, and keep it at least 50cm. away from its surrounding object.

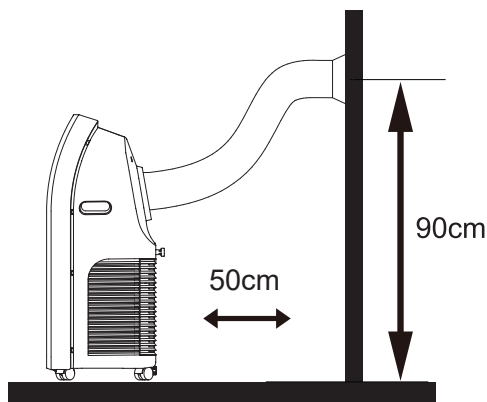
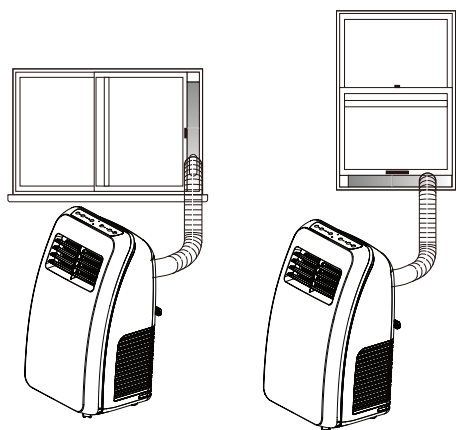


#### Installation

- Screw the exhaust duct assembly in the air outlet behind the panel (counterclockwise).



- Insert the air exhaust hose into the window sealing plate, adjust opening width of window so that the window can match with the sealing plate properly; length of the sealing plate is adjustable.



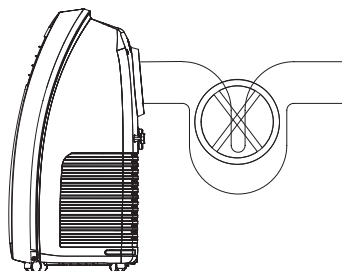
**Best Installation**

### **Incorrect Installation**

- It's important to keep the exhaust duct smooth. Incorrect installation will affect work of the A/C.
- Prevent the exhaust duct from sharp bending.
- Ensure air can flow smoothly in the duct.

### **Warning:**

The exhaust duct is designed especially for this model. Don't replace or lengthen it; otherwise, it will result in failure.



**Notice:** *Max. developed length of the exhaust duct is 1,500mm. It's better to shorten it while in use and keep it horizontal while installation.*

## **OPERATION METHOD**

### **Cooling Mode**

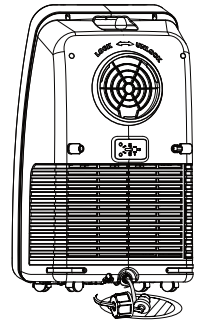
- When the A/C enters cooling mode automatically or cooling mode is selected after power ON, the cooling indicator lamp lights up.
- Press Up/Down key to adjust setting temperature (16°C~30°C)(60°F~86°F).
- Press Speed key to choose High/Mid/Low speed.

### **Fan Mode**

- When pressing mode key or choosing Fan mode by pressing the remote controller, the wind indicator lamp lights up.
- Press Speed key to choose High/Mid/Low speed.
- Temperature can't be set.

## Dehumidification Mode

- When pressing mode key or choosing dehumidification mode by pressing the remote controller, the dehumidification indicator lamp lights up.
- Remove the dehumidification water wedge, insert water manifold, place the other end of the water manifold into the water vessel or drainage passage, as shown in the right figure.
- After entering the dehumidification mode, if room temperature  $\geq 17^{\circ}\text{C}$  ( $62^{\circ}\text{F}$ ), the compressor is ON.



Then control as follows: when room temperature  $\leq 15^{\circ}\text{C}$  ( $59^{\circ}\text{F}$ ), the compressor is OFF; when temperature increases to room temperature  $\geq 17^{\circ}\text{C}$  ( $62^{\circ}\text{F}$ ), the compressor will start again (in order to protect the compressor, it will be restarted 3min. later).

- In dehumidification mode, the fan is defaulted to run at low speed, and wind speed can't be adjusted.
- Temperature can't be set.

**Note:** *When use dehumidify function, should remove exit pipe components, otherwise, it will cause worse dehumidify performance, and appear "FL" water full alarm*

## Sleep mode (optional function)

- Under cool mode, pressing sleep mode key on the remote controller or pressing time key and down key together on the machine, it will start sleep mode with low wind speed and can't be adjusted. Pressing the sleep mode key again or pressing time key and down key together on the machine to quit the sleep mode.
- If you press the wind speed key under the sleep mode, the screen will display "SL"

## Timer Mode

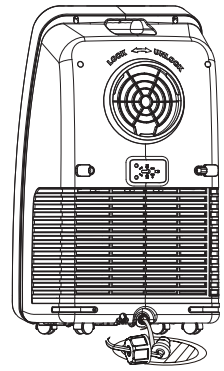
- In standby state, press the Timer key to set ON time. Press Up and Down keys to set ON time (1~24H), and the timer indicator lamp lights up.
- In ON state, pressure the timer key to set OFF time. Press Up and Down keys to set OFF time (1~24H), and the timer indicator lamp lights up.

## Clean and Maintenance

### DRAINAGE METHOD

This product is equipped with automatic water vaporization system. The condenser is cooled with the circulating of condensing water, so as to improve cooling efficiency and save energy.

- If the internal vessel is full of water, the display screen will display “FL”, and the compressor stops working automatically. After power off, unscrew the water cover, pull out the water plug to drain off water, and it will become normal after being restarted.



## MAINTENANCE

### Notice:

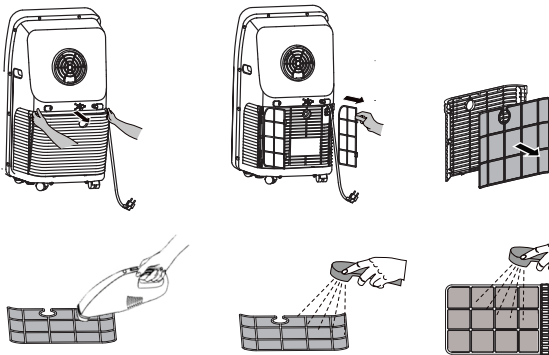
*In order to avoid electric shock, please turn off the A/C and unplug before maintenance or repair.*

## CLEANING

- Unplug before cleaning.
- Wipe with soft semi-dry cloth. Don't use chemical reagent, such as benzene, alcohol and gasoline etc; otherwise surface of the A/C and even the whole A/C will be damaged.
- Prevent water from spattering in the A/C.

## FILTER SCREEN

- Wash the filter screen once every two weeks. If it is blocked by dust, efficiency of the A/C will be reduced.
- Take out the air inlet grille and pull out the filter screen at both sides according to the direction shown in the following figures.
- Put the filter screen into the warm water (about 40°C or 104°F) added with neutral detergent, dry it at a shady place after cleaning.



If the filter is dirty, clean it in warm water (about 40°C/ 104°F) with a neutral detergent.

If the filter is not very dirty, you can clean off the dust using a vacuum cleaner.

## SEASONAL CLEANING

If the A/C will not be used for a long time:

- Pull out the water plug to drain.
- Run the A/C in fan mode for 2H till the inside is dry.
- Turn off the A/C and unplug.
- Wash the filter screen and reassemble it.
- Dismantle the exhaust duct and keep it properly.
- Cover the A/C with a plastic bag and place it at a dry place.

## Common Failures and Diagnosis

### Intelligent Error Detection

Error-detecting code	Multi-functional defection
E1	Error of the coil's temperature sensor
E2	Error of indoor temperature sensor
E4	<b>Anti-freezing protection:</b> temperature of the coil is too low and the whole A/C is off. When temperature exceeds 8°C or 46.4°F, the protection is released and previous working state is recovered.

## FUSE PARAMETERS

- Voltage: 250VAC
- Current: 3.15A

## Troubleshooting

In case of any of the following trouble, please contact professional maintenance personnel in time.

Trouble	Cause	Solution
The A/C doesn't work	No display	Reset the circuit breaker on the A/C cord
	The display panel shows "FL"	Restart the A/C after powering off and draining; it will normalize
	The Time OFF function is started	The A/C can be restarted 3 min. after being turned off

<b>The A/C starts frequently</b>	Direct sunlight	Close the curtains
	Open doors and windows or too many people/heat sources in the room	Close doors and windows, remove heat sources
	Filter screen is very dirty	Clean or replace the filter screen
	Air inlet or outlet is blocked	Remove the obstruction
<b>Big noise from the A/C</b>	The A/C is placed unevenly	Place the unit on even, firm ground to prevent shaking
<b>The compressor doesn't work</b>	Delay protection activated	Wait for 3 minutes for the temperature to decrease, then turn on again

**Notice: When there is any abnormal to the A/C, turn it off and unplug, and then contact professional maintenance personnel.**

*The above technical parameters are subject to change without notice.*



Do not dispose of electrical appliances as unsorted municipal waste, use separate collection facilities.

Contact your local government for information regarding the collection systems available.

If electrical appliances are disposed of in landfills or dumps, hazardous substances can leak into the groundwater and get into the food chain, damaging your health and well-being.

When replacing old appliances with new ones, the retailer is legally obligated to take back your old appliance for disposals at least free of charge.

### **Register Product**

Thank you for choosing SereneLife. By registering your product, you ensure that you receive the full benefits of our exclusive warranty and personalized customer support.

Complete the form to access expert support and to keep your SereneLife purchase in perfect condition.

**Start Here**



[Serenelifehome.com/pages/register](https://Serenelifehome.com/pages/register)

# SereneLife



***Questions or Comments?***

**We are here to help!**

**Phone: 1.718.535.1800**

**[SereneLifehome.com/ContactUs](http://Serenelifehome.com/ContactUs)**