

VIVOHOME

THANK
YOU!

NOTE:

To continuously improve its products, VIVOHOME reserves the right to modify this information without prior notification.

For any questions regarding assembly, please watch the video on the product page or contact our customer service. Our customer service will gladly assist you with any additional questions, comments, or concerns.

Thank you for using VIVOHOME products in your home!

Thank You for Purchasing from

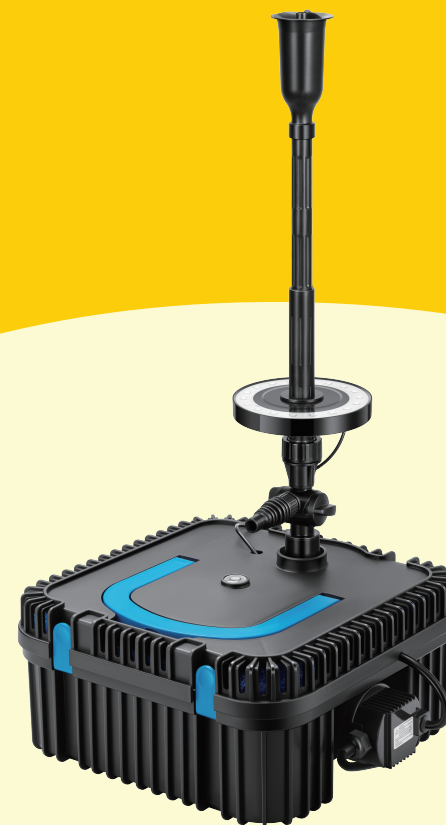
VIVOHOME

Made in China

VIVOHOME

HOW-TO

USER MANUAL



**Pond Filter Fountain
with RGB Light**

Assembly is EASY!

WE WANT
YOU TO
ENJOY LIFE
AT HOME

GO TO THE PRODUCT LISTING PAGE FOR
AN INSTRUCTIONAL VIDEO!

CONTENTS

Warning	1
Caution	1
Instruction	3
Features	3
Technical Parameters	4
Parts List	5
Installation and Maintenance	7
Storage in Winter	14
Fragile Parts	14
Troubleshooting	14
Warranty	15



Please read the operating instructions and familiarize yourself with the equipment before placing it in service. Correct and safe use of the system requires strict compliance with the safety instructions.

Fountain Filter with UV-C Clarification

This product is a UV-C water clarification system. It includes a water pump and one UV-C lamp.

SAFETY WARNING: ULTRAVIOLET (UV) RADIATION

This device emits ultraviolet radiation, which is harmful to the eyes and skin. Any damage to the equipment or improper operation can result in dangerous exposure.

- Do not use the unit if it is damaged in any way.
- This equipment is not intended for use by persons (including children) with reduced physical, sensory, or mental capabilities, or lack of experience and knowledge, unless they are supervised or have been given instructions on safe operation by a person responsible for their safety.
- Keep the equipment out of the reach of children.
- For safety reasons, this product should not be used by persons under the age of 16 or by anyone unable to recognize hazards or understand these instructions.



1. This equipment must be operated fully submerged in water. Do not exceed the maximum immersion depth of 2 meters.
2. Never power on the equipment if the water level is insufficient to submerge it completely. Running without water will cause damage.
3. As the UV-C lamp is made of quartz glass, please avoid dropping it or subjecting it to a heavy impact.
4. Do not plug in the power until the unit is fully assembled.
5. If the power cable, UV-C lamp, or housing is damaged, discontinue use immediately. The unit is no longer functional and must be discarded.
6. Ensure the supply voltage and frequency match the specifications on the nameplate.
7. During installation, follow the installation regulations for pond pumps.
8. The equipment must be properly grounded. Have the grounding verified by a qualified professional. For added safety, we recommend installing a leakage protector.
9. Do not pull on the power cord. Keep it away from heat sources, grease, and sharp edges.
10. When the pump makes any unusual noise, please unplug it to check the reason.
11. When the frost is coming, please move away UV-C filter to avoid frost crack.
12. Dirt on the quartz glass tube will reduce effectiveness. Clean the tube regularly.
13. Sand and debris entering the housing can damage the quartz tube and pump. Install a filter sponge over the water inlet and clean the sponge monthly.
14. UV-C radiation is harmful to eyes and skin. Do not look directly at the UV-C light and avoid skin exposure.
15. Always disconnect the power supply before installing, maintaining, or servicing the equipment.



1. This equipment includes a built - in filter sponge, biochemical basket, UV - C lamp, and water pumps. Its optimized water flow design makes it ideal for a variety of applications, including indoor and outdoor ponds, aquaculture, water sterilization, and water fountains.
2. Driven by the water pump, water flows from the filter cover to filter sponge, and then to the UV - C lamp. Inside the UV - C lamp, harmful bacteria and algae will be killed. Then the water flows out.
3. The UV - C lamp is designed as a closed device to prevent UV - C leakage. And UV - C light at 253.7nm will kill the harmful bacteria and algae to keep a good condition of water.



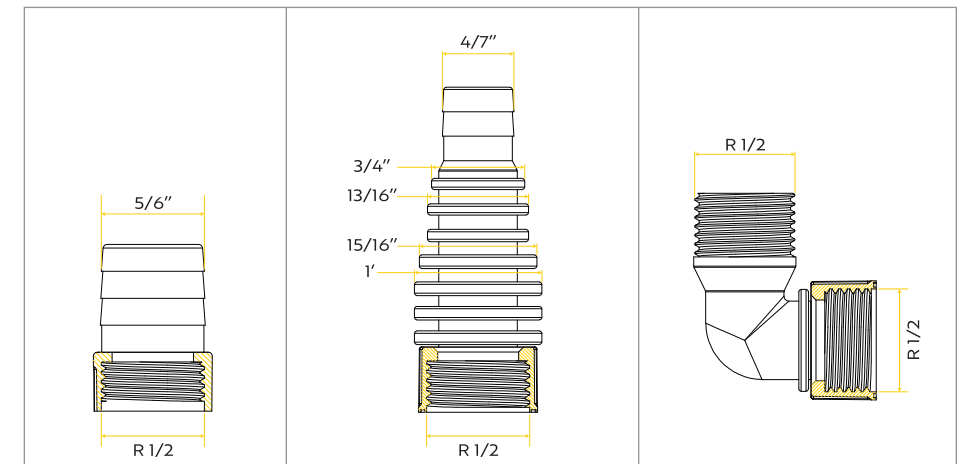
1. This all-in-one unit integrates filtration, biological treatment, UV sterilization, water pumping, and fountain display into a single and compact system.
2. Large filtration area and an optimized flow path ensure highly effective performance.
3. The built-in independent filter material box allows for easy replacement and the addition of different biochemical filter materials. (Please refer to the product diagram for specific models.)
4. For the PFF series, the middle of the water filter can be stacked (sold separately) to extend the maintenance cycle.



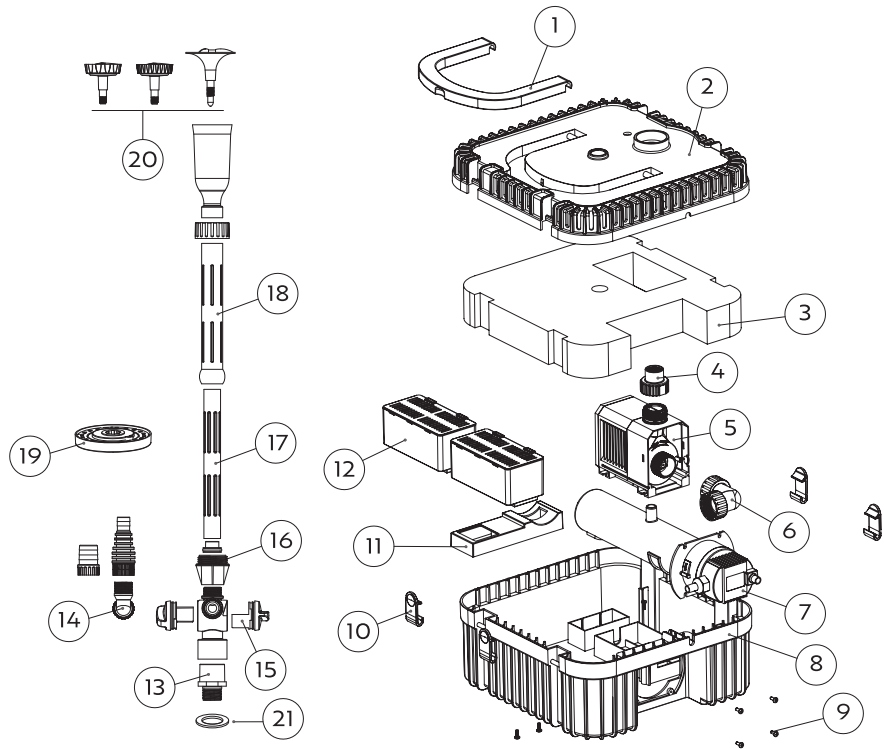
Specifications

Model	SKU	Voltage	Power	UV-C -Power	H-max	Flow Rate
YH-2500E-PFF-2	VH1860	120V 60HZ	40W	13W	7ft (200CM)	690GPH (2600L/H)
YH-3000E-PFF-2	VH1859	120V 60HZ	60W	13W	9ft (270CM)	820GPH (3100L/H)
YH-3500E-PFF-2	VH1858	120V 60HZ	80W	13W	10ft (300CM)	900GPH (3400L/H)

Hose Connector Size

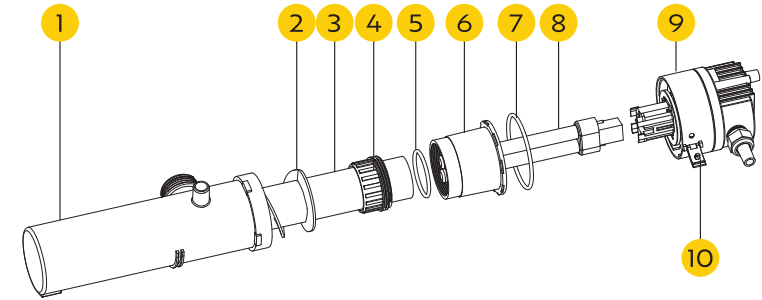


SECTION F
Parts List



1	Handle	8	Filter base	15	Flow control valve
2	Filter cover	9	Nut (1*7)	16	Flange
3	Sponge	10	Clip (1*4)	17	Extension pipes
4	Adapter 1	11	Runner plate	18	Connection pipes
5	Pump	12	Filter material boxes	19	LED
6	Elbow pipe	13	Adapter 2	20	Fountain head (1*3)
7	UV-C lamp	14	Outlet	21	O-ring

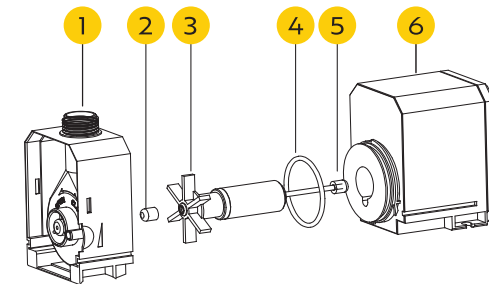
UV-C Lamp



1	UV housing	6	Quartz glass tube sleeve
2	Spiral sleeve	7	60x3.1 O-ring
3	Quartz glass tube	8	UV-C lamp
4	Fixing nut	9	UV-C device head with cable
5	45x4 O-ring	10	Safety buckle

Water Pump

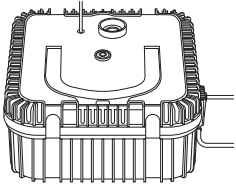
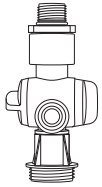
1	2	3	4	5	6
Impeller cover	Rubber bearing	Rotor	O-ring	Shaft	Motor

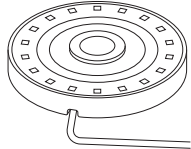





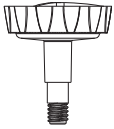




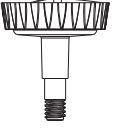

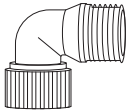
Please switch off the electrical power when you clean the inside or change the UV-C lamp. For these procedures, refer to the following parts list for guidance.

- **Method 1:**
Assemble the product according to the product diagram (see Parts List).
- **Method 2:**
Assemble the fountain components according to the installation diagram below (recommended if the filter housing has not been opened).
- After assembling the fountain components according to the installation diagram, adjust the height of the extension rod and the light plate to a suitable position, then immerse the device in water.

Item No.	Reference Image	Qty.
A	 Filtration circulation unit	x1
C	 T-connector	x1

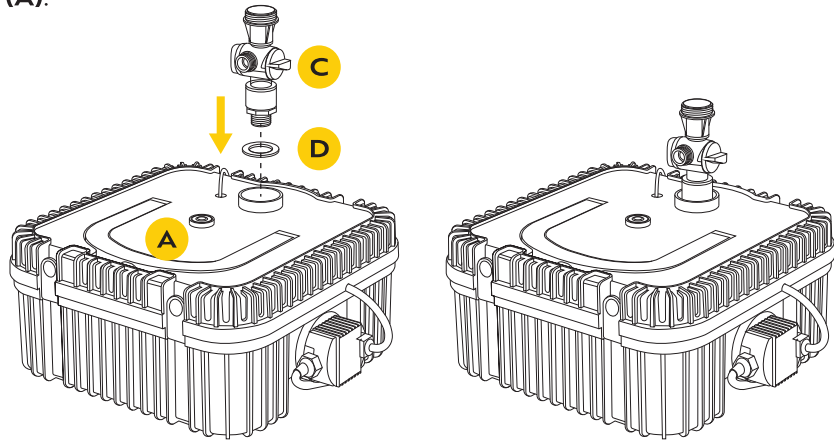
Item No.	Reference Image	Qty.
B	 LED	x1
D	 O-ring	x1

Item No.	Reference Image	Qty.
E	 Telescopic tube assembly	x1
G	 Nozzle assembly	x1
I	 Large water-spray nozzle	x1
K	 Large-sized outlet	x1

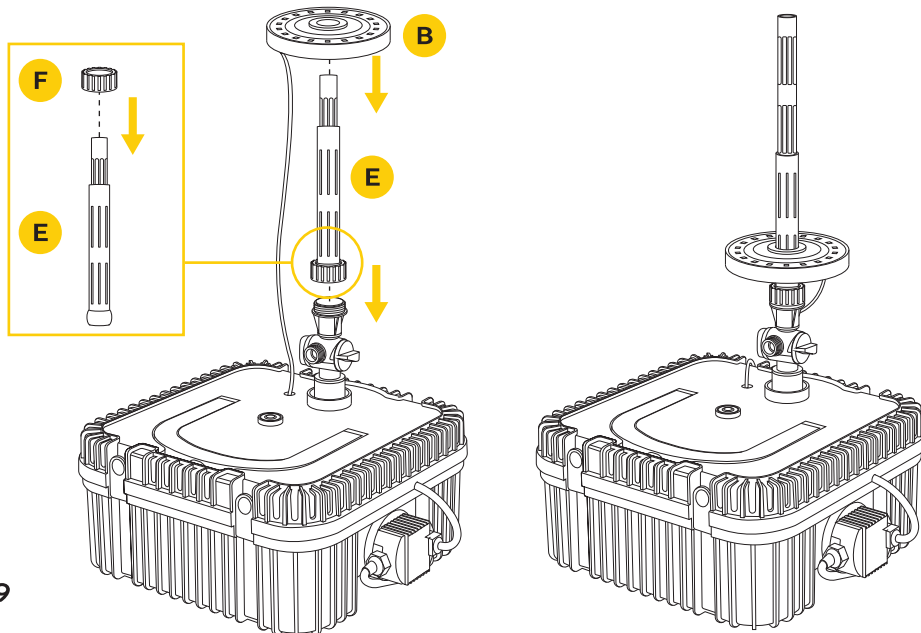
Item No.	Reference Image	Qty.
F	 Nut	x1
H	 Small fountain nozzle	x1
J	 Small-sized outlet	x1
L	 Export Adapter	x1

STEP 1**A** x1 pc. **C** x1 pc. **D** x1 pc.

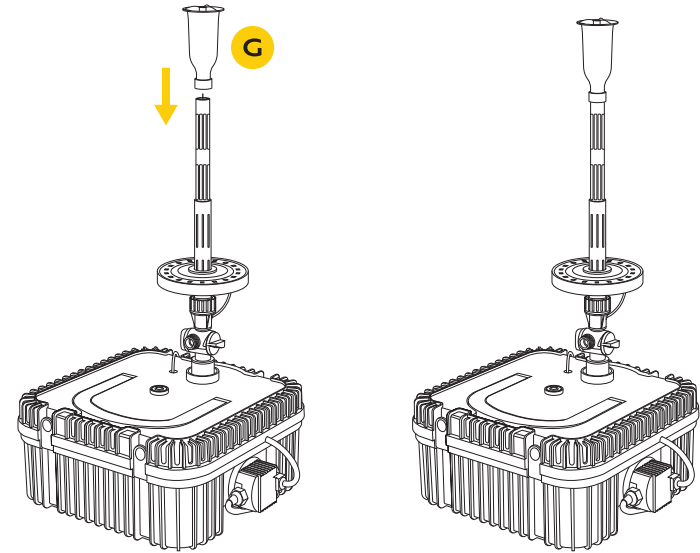
Install the **O-ring (D)** and **T-connector (C)** onto the **filtration circulation unit (A)**.

**STEP 2****B** x1 pc. **E** x1 pc. **F** x1 pc.

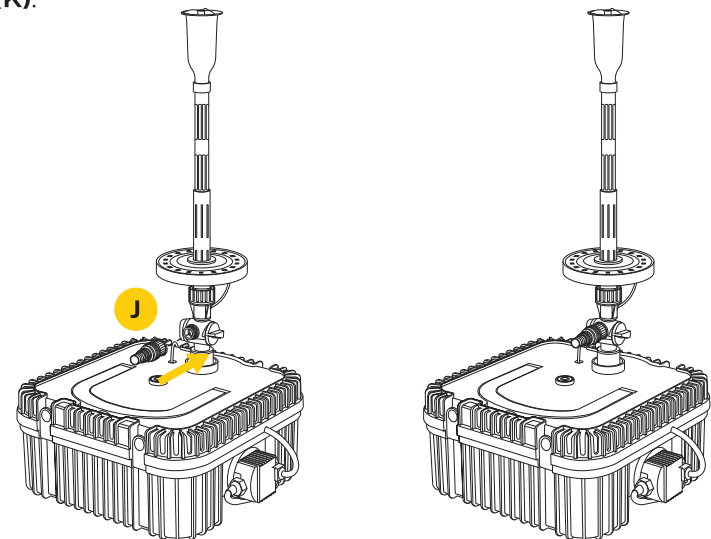
Connect the **nut (F)** and **LED (B)** to the **telescopic tube assembly (E)**, then attach it to the **T-connector (C)**.

**STEP 3****G** x1 pc.

Install the **nozzle assembly (G)** onto the **telescopic tube assembly (E)**.

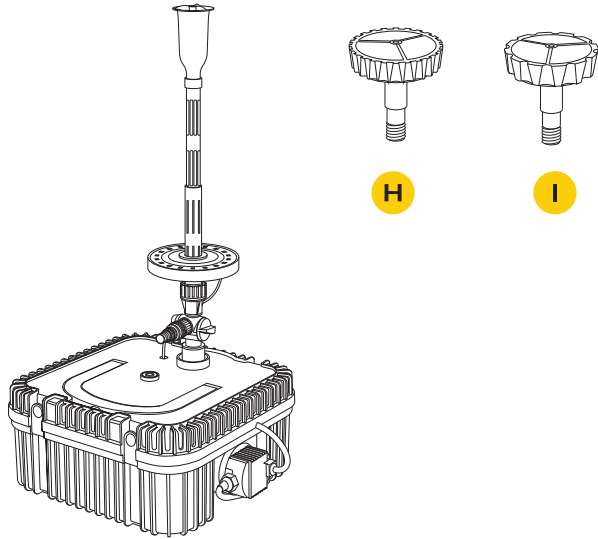
**STEP 4****J** x1 pc. **K** x1 pc. **L** x1 pc.

Attach the **small-sized outlet (J)** to the **T-connector (C)**. To change the outlet direction or size, use the **export adapter (L)** and **large-sized outlet (K)**.



STEP 5**H** x 1 pc.**I** x 1 pc.

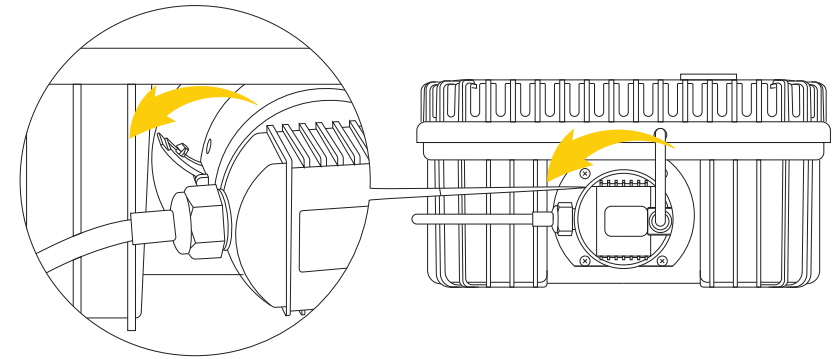
To change the fountain effect, rotate the inner part of the **nozzle assembly (G)** counterclockwise and remove the nozzle. You may replace it with the **small fountain nozzle (H)** or **large water-spray nozzle (I)**.

**MAINTENANCE****Maintenance for Filter Sponge and Filter Material**

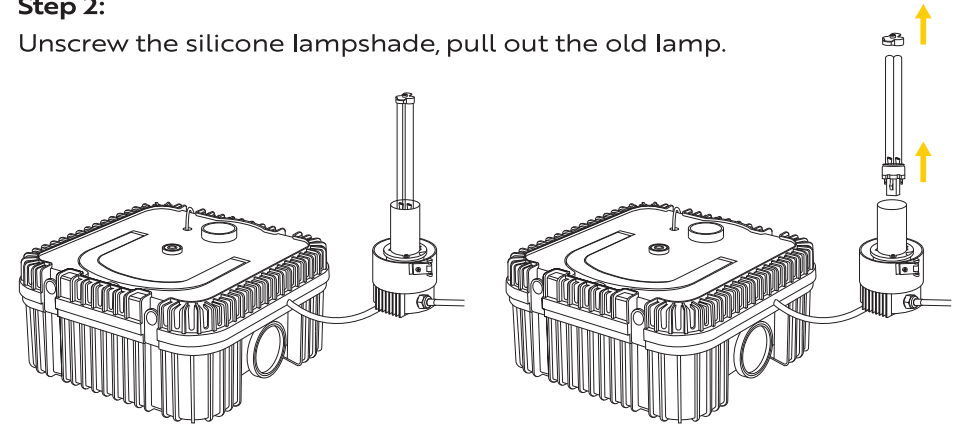
1. Take off the fountain parts, and unlatch the two clips on the side of the filter cover, then you can open the filter cover.
2. Take out the filter sponge and the filter material (boxes). Clean or replace these components as needed. (We recommend cleaning the filter sponge weekly for optimal performance.)

Maintenance for UV-C Lamp**Step 1:**

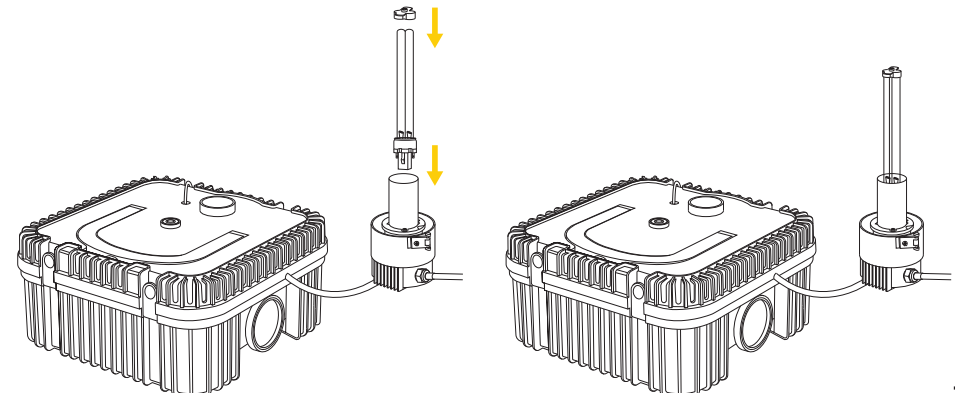
Unlock the safety buckle, then rotate the lamp counterclockwise.

**Step 2:**

Unscrew the silicone lampshade, pull out the old lamp.

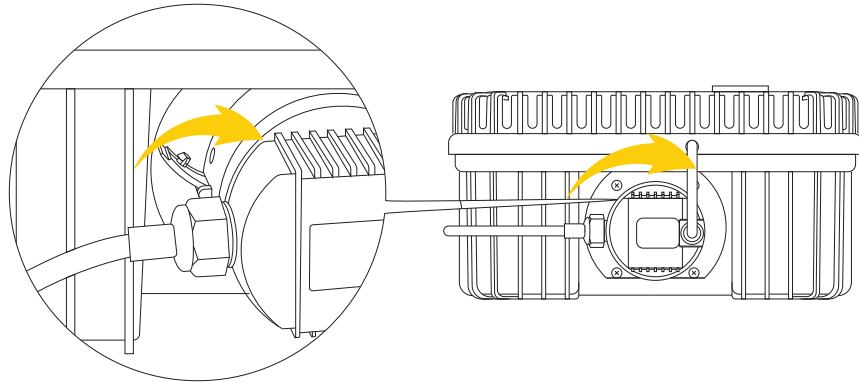
**Step 3:**

Insert the new bulb and install the silicone lampshade.



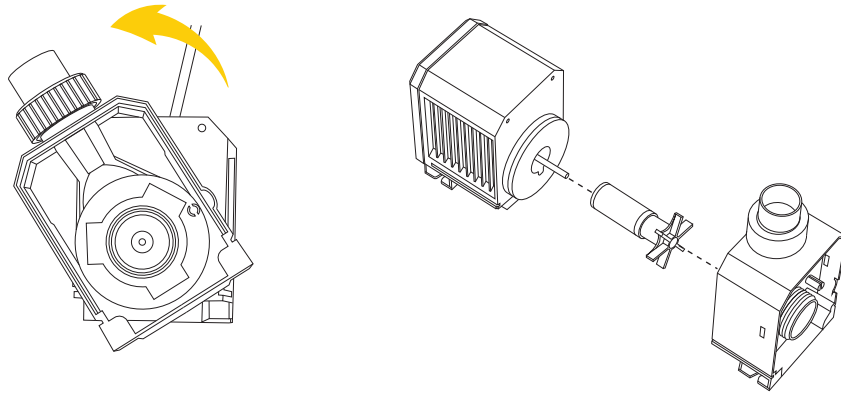
Step 4:

Rotate the lamp clockwise and lock the safety buckle.

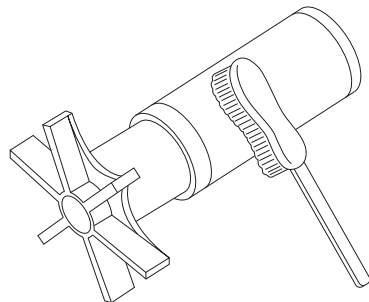


Maintenance for Water Pump

1. Rotate the impeller cover counterclockwise to the stuck position and open it outward to separate it from the pump body.



2. Remove the rotor and clean all parts with the small brush.



SECTION H

Storage in Winter



1. Take out the equipment from water.
2. Clean the equipment thoroughly.
3. Check the parts and conditions of the equipment
4. Keep this equipment in an area free from frost, or in a container with clean water.

SECTION I

Fragile Parts



1. UV-C lamp.
2. Filter materials (bio-ball, gravel, filter sponge).

SECTION J

Troubleshooting



Trouble	Reason	Solution
Water pump doesn't work	- No Power - Burn - Impeller blocked	- Plug in - Change water pump - Clean the blocks
Water pump is noisy	- Something blocked in the impeller room - Wear and tear on the rotor or shaft	- Open the water pump and clean the blocks - Change the rotor or shaft

Trouble	Reason	Solution
Water pump lacks water	<ul style="list-style-type: none"> - Impeller broken or water flow valve closed - Equipment inlet blocked or water pump inlet blocked - Lower voltage than requested 	<ul style="list-style-type: none"> - Change the impeller set or open the water flow valve - Clean the blocks - Use suitable voltage
UV-C lamp doesn't work	<ul style="list-style-type: none"> - No power - UV-C lamp broken - UV-C lamp connection is not secure 	<ul style="list-style-type: none"> - Plug in - Change UV-C lamp - Re-place the UV-C lamp

SECTION I Warranty



The VIVOHOME warranty program is our commitment to you. We are committed to providing you with a high-quality product that meets your needs and expectations. To demonstrate our confidence in the durability and performance of our products, we offer the following warranty.

WARRANTY COVERAGE

This warranty applies to all orders, purchases, or use of products sold only by VIVOHOME and is valid for 1 year from the purchase date. Please note, this warranty only covers the original order. If a replacement is provided within the warranty period, it does not extend the warranty.

WARRANTY EXCLUSIONS

This warranty does not cover damages caused by misuse, accidents, unauthorized modifications, or any factors unrelated to product manufacturing and design, including but not limited to:

- Loss of parts during use.
- Normal wear and tear of products or parts.
- Incorrect installation (e.g., using the wrong voltage) or improper assembly.
- Overloading the product's bearing capacity.
- Usage in extremely harsh conditions.
- Improper cleaning or lack of maintenance.
- Damage resulting from unintended use of the product.
- Damage resulting from unauthorized modifications or service.
- Indirect losses or damages related to the product.

HOW TO MAKE A WARRANTY CLAIM

If you encounter any defects affecting the product's functionality or if the product fails and cannot be repaired during the warranty period, please reach out to our customer service team via email, Amazon, or our app's messaging service at your earliest convenience. To expedite your claim, kindly include:

- Order number
- Photos and/or videos illustrating the issue
- A detailed description of the problem

VIVOHOME will provide technical support, replacement, refund, or other solutions based on the issue's specifics. If you wish to return the original package for any reason, please contact us for confirmation before initiating the return. You can expect a response within 48 hours.

Thank you for choosing VIVOHOME. We are dedicated to ensuring your satisfaction and the quality of your purchase. If you have any questions or need further assistance, please don't hesitate to reach out to our customer service team.