



Model:

CHPW102

DETAIL K2 INC.



20V CORDLESS 4 IN 1 HIGH PRESSURE WASHER

Instruction manual
Manuel Français à l'intérieur

STOP!

Questions, problems, missing parts? Do not return to your retailer.

Please call our customer service department at: 1(888) 277-6960. Our customer service staff are ready to provide assistance. If a part is damaged or missing, replacement parts can be shipped from our facility. For immediate help with assembly, or for additional product information, call our North American toll-free number: 1(888) 277-6960.

Save this manual

You will need this manual for safety instructions, operating procedures, and warranty.
Put it and the original sales invoice in a safe, dry place for future reference.

TABLE OF CONTENTS

ENGLISH

IMPORTANT SAFE OPERATING PRACTICES.....	EN.3
CALIFORNIA PROPOSITION 65	EN.3
GENERAL.....	EN.3
WORK AREA SAFETY	EN.3
ELECTRICAL SAFETY.....	EN.3
PERSONAL SAFETY	EN.4
POWER TOOL SAFETY.....	EN.4
IMPORTANT SAFE OPERATING PRACTICES.....	EN.4
BATTERY PACK SAFETY WARNINGS	EN.5
BATTERY TOOL USE AND CARE	EN.6
SPECIFIC SAFETY RULES FOR THIS TOOL.....	EN.6
SPECIFIC SAFETY RULES FOR INFLATOR	EN.7
COMPONENTS AND FUNCTIONAL DESCRIPTION.....	EN.8
BATTERY PACK	EN.9
SPECIFICATIONS.....	EN.9
OPERATING INSTRUCTIONS.....	EN.9
20V CORDLESS PRESSURE WASHER.....	EN.10
OPERATING INSTRUCTIONS.....	EN.10
20V CORDLESS INFLATOR.....	EN.13
20V CORDLESS VACUUM CLEANER	EN.14
20V CORDLESS BLOWER.....	EN.14
MAINTENANCE	EN.14
CLEANING	EN.14

THANK YOU FOR PURCHASING A DK2 TOOL!

IMPORTANT SAFE OPERATING PRACTICES



CAUTION: SAFETY FIRST— *Read this manual carefully before operating your tool. We recommend that you read this manual completely so that you are fully aware of all important safety recommendations. Record your serial number.*

To use this tool properly, you must observe the safety regulations, the assembly instructions and the operating instructions to be found in this manual. All persons who use and service the tool must be informed about its potential hazards and must be acquainted with this manual. Children should be supervised at all times if they are in the area in which the tool is being used. It is also imperative that you observe the accident prevention regulations in force in your area. The same applies for general rules of occupational health and safety.

CALIFORNIA PROPOSITION 65



WARNING: *This product can expose you to chemicals including DEHP, which is known to the State of California to cause cancer and birth defects or other reproductive harm. For more information go to www.P65Warnings.ca.gov.*

GENERAL



WARNING! *Read all safety warnings instructions, illustrations and specifications provided with this battery powered tool. Failure to follow the warnings and instructions may result in electric shock, fire and/or serious injury. The term “power tool” in the warnings refers to your mains-operated (corded) power tool or your battery-operated (cordless) power tool. Read your owner’s manual carefully. Get to know your tool and familiarize yourself with its applications and limitations.*

1. Use the tool according to the guidelines in this manual. Do not abuse it or force it to do a job for which it was not designed.
2. Use only original equipment parts and accessories. Consult the owner’s manual. The use of incorrect accessories may produce unforeseen hazards.



WARNING: *Make no attempt to assemble and operate the tool until you have thoroughly read this manual and completely understood its contents. Operating your DK2 tool improperly can result in serious personal injury and/or damage to both tool and vehicle. Since Detail K2 Inc. does not complete its assembly or installation, we cannot be held responsible for any personal injury or damages that product misuse may produce.*

WORK AREA SAFETY

1. Keep work area clean and well lit. Cluttered and dark areas invite accidents.
2. Do not operate battery powered tools in explosive atmospheres, such as in the presence of flammable liquids, gases or dust. Power tools create sparks which may ignite the dust or fumes.
3. Keep children and bystanders away while operating a power tool. Distractions can cause you to lose control.

ELECTRICAL SAFETY

1. Battery charger plugs must match the outlet. Never modify the plug in any way. Unmodified plugs and matching outlets will reduce risk of electric shock.
2. Avoid body contact with earthed or grounded surfaces such as pipes, radiators, ranges and refrigerators. There is an increased risk of electric shock if your body is earthed or grounded.
3. Do not expose battery powered tools to rain or wet conditions. Water entering a power tool will increase the risk of electric shock.
4. Do not abuse the cord. Never use the cord for carrying, pulling or unplugging the charger. Keep cord away from heat, oil, sharp edges or moving parts. Damaged or entangled cords increase the risk of electric shock.

IMPORTANT SAFE OPERATING PRACTICES

ENGLISH

PERSONAL SAFETY

1. Stay alert, watch what you are doing and use common sense when operating a battery powered tool. Do not use any power tool while you are tired or under the influence of drugs, alcohol or medication. A moment of inattention while operating power tools may result in serious personal injury.
2. Use safety equipment. Always wear eye protection. Everyday eyeglasses have only impact resistance lenses. They are not safety glasses. Safety equipment such as dust mask, non-skid safety shoes, hard hat, or hearing protection used for appropriate conditions will reduce personal injuries.
3. Prevent unintentional starting. Ensure the switch is in the off-position before connecting to power source and/or battery pack, picking up or carrying the tool. Carrying battery powered tools with your finger on the switch or energizing power tools that have the switch on invites accidents.
4. Remove any adjusting key or wrench before turning the tool on. A wrench or a key left attached to a rotating part of the power tool may result in personal injury.
5. Do not overreach. Keep proper footing and balance at all times. This enables better control of the tool in unexpected situations.
6. Dress properly. Do not wear loose clothing or jewellery. Keep your hair, clothing and gloves away from moving parts. Loose clothes, jewellery or long hair can be caught in moving parts.
7. Do not let familiarity gained from frequent use of tools allow you to become complacent and ignore tool safety principles. A careless action can cause severe injury within a fraction of a second.
8. For safety, keep children and pets at a distance from the tool and the operating area.

POWER TOOL SAFETY

1. Do not force the power tool. Use the correct tool for your application. The correct power tool will do the job better and safer at the rate for which it was designed.
2. Do not use a power tool if the switch does not turn it on and off. Any power tool that cannot be controlled with the switch is dangerous and must be repaired.
3. Disconnect the battery from the tool before making any adjustments, changing accessories, or storing your tool. Such preventive safety measures reduce the risk of starting the power tool accidentally.
4. Store idle power tools out of the reach of children and do not allow persons unfamiliar with the power tool or these instructions to operate the power tool. Battery powered tools are dangerous in the hands of untrained users.
5. Maintain power tools. Check for misalignment or binding of moving parts, breakage of parts and any other condition that may affect the tools operation. If damaged, have the power tool repaired before use. Many accidents are caused by poorly maintained power tools.
6. Use the power tool, accessories and tool bits etc., in accordance with these instructions and in the manner intended for the particular type of power tool, taking into account the working conditions and the work to be performed. Use of the power tool for operations different from intended could result in a hazardous situation.
7. Keep handles and grasping surfaces dry, clean and free from oil and grease. Slippery handles and grasping surfaces do not allow for safe handling and control of the tool in unexpected situations.
8. Carefully inspect your tool before every use. Particularly check the alignment of moving parts and tighten any loose screws and bolts.
9. This unit is not intended for commercial use.

WARNING! Only use attachments or accessories recommended by the manufacturer.



IMPORTANT SAFE OPERATING PRACTICES



WARNING! Use of unauthorized parts or failure to follow Maintenance Instructions may create a risk of electric shock or injury.

NOTE: Not all the accessories illustrated or described are included in standard delivery.

BATTERY PACK SAFETY WARNINGS



WARNING! Read all safety warnings and instructions. Failure to follow the warnings and instructions may result in electric shock, fire and/or serious injury.



WARNING! Risk of fire and burns. Do not disassemble, heat above 100°C (212°F), or incinerate. Do not expose cells or batteries to heat or fire. Avoid storage in direct sunlight.

1. **DISPOSE OF USED BATTERY PROMPTLY.** When disposing of secondary cells or batteries, keep cells or batteries of different electrochemical systems separate from each other.
2. **KEEP BATTERY OUT OF REACH OF CHILDREN** and in original package until ready to use.
3. **NEVER PUT BATTERIES IN MOUTH.** If swallowed, contact your physician or local poison control center.



CAUTION: The battery used in this device may present a risk of fire or chemical burn if mistreated. Replace battery with WORX only. Use of another battery may present a risk of fire or explosion.



WARNING! Do not use a visibly damaged battery pack or appliance.



WARNING! Do not modify or attempt to repair the appliance or the battery pack.



Li-ion

4. **BATTERY MUST BE RECYCLED.**
5. **DO NOT SHORT-CIRCUIT A CELL OR BATTERY.** Do not store cells or batteries haphazardly in a box or drawer where they may short-circuit each other or be short-circuited by conductive materials.
6. **DO NOT** subject cells or batteries to mechanical shock.
7. **KEEP CELLS AND BATTERIES CLEAN AND DRY.** Wipe the cell or battery terminals with a clean dry cloth if they become dirty.
8. **DO NOT** maintain spare cells and batteries on charge when not in use.
9. **RETAIN THE ORIGINAL CELL AND BATTERY LITERATURE** for future reference.
10. **DO NOT USE ANY CHARGER OTHER THAN THAT SPECIFICALLY PROVIDED** for use with the equipment. Secondary cells and batteries need to be charged before use. Always use the correct charger and refer to the manufacturer's instructions or equipment manual for proper charging instructions.
11. **WHEN POSSIBLE, REMOVE THE BATTERY** from the equipment when not in use.
12. **PREVENT UNINTENTIONAL STARTING.** Ensure the switch is in the off-position before connecting to battery pack, picking up or carrying the appliance. Carrying the appliance with your finger on the switch or energizing appliance that have the switch on invites accidents.
13. **DISCONNECT THE BATTERY PACK FROM THE APPLIANCE BEFORE MAKING ANY ADJUSTMENTS,** changing accessories, or storing appliance. Such preventive safety measures reduce the risk of starting the appliance accidentally.

IMPORTANT SAFE OPERATING PRACTICES

BATTERY TOOL USE AND CARE

1. Recharge only with the charger specified by the manufacturer. A charger that is suitable for one type of battery pack may create a risk of fire when use with another battery pack.
2. Use battery powered tools only with specifically designated battery packs. Use of any other battery packs may create a risk if injury and fire.
3. When battery pack is not in use, keep it away from metal objects, like paper clips, coins, keys, nails, screws or other small metal objects, that can make a connection from one terminal to another. Shorting the battery terminals may cause burns or a fire.
4. Do not burn the battery or dispose of it by incineration.



WARNING! Under abusive conditions, liquid may be ejected from the battery; avoid contact. If contact accidentally occurs, flush with water. If liquid contacts eyes, additionally seek medical help. Liquid ejected from the battery may cause irritation or burns.



SPECIFIC SAFETY RULES FOR THIS TOOL

WARNING! When using this product, basic precautions should always be followed, including the following:



- To reduce the risk of injury, close supervision is necessary when a product is used near children.
- Know how to stop the product and bleed pressures quickly. Be thoroughly familiar with the controls.
- Stay alert – watch what you are doing.
- Do not operate the product when fatigued or under the influence of alcohol or drugs.
- Keep operating area clear of all persons
- Do not overreach or stand on unstable support. Keep good footing and balance at all times.
- Follow the maintenance instructions specified in the manual.

WARNING! Risk of injection or injury- Do not direct discharge stream at persons.



- Do not spray electrical apparatus and wiring.

IMPORTANT SAFE OPERATING PRACTICES

SPECIFIC SAFETY RULES FOR INFLATOR

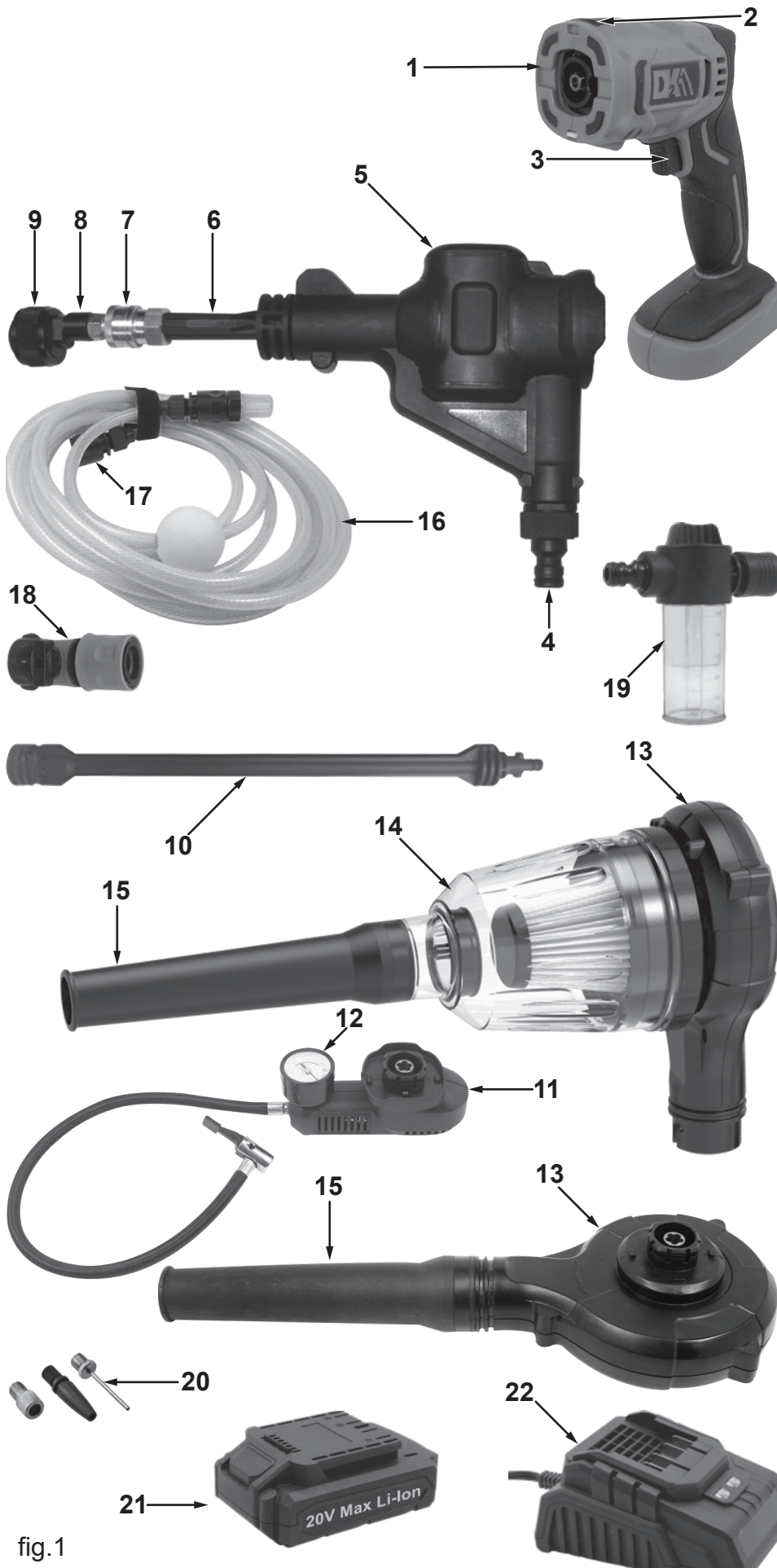
GENERAL INFORMATION AND SAFETY WARNINGS

1. **INSPECT THE TIRE INFLATOR** before each use and do not use if any of the components are bent, broken, burnt, melted, wet or damaged.
2. **CHECK THE TIRE PRESSURES BEFORE INFLATING** so as not to exceed the rated pressure as the tires may burst if over inflated.
3. **DO NOT USE THE TIRE INFLATOR ON HIGH PRESSURE TIRES** such as those used on commercial vehicles, agricultural or specialist vehicles.
4. **DO NOT KINK OR BLOCK THE AIR HOSE** while the Tire inflator is working.
5. **THE INFLATOR IS NOT DESIGNED FOR CONTINUOUS USE.**
Operation over an extended period of time will overheat and damage the tire inflator. It should not be used continuously for more than 30 minutes. After 10 minutes, turn it off and let it cool for 15 minutes before resuming operation.
6. **TURN THE POWER OFF IMMEDIATELY** If the inflator is making an abnormal sound, or the temperature of the unit is too high, and let it cool for at least 30 minutes before resuming operation.
7. **DO NOT LEAVE THE INFLATOR UNATTENDED** when operating and keep out of the reach of children.
8. **STORE THE INFLATOR** in a cool, dry and dust free environment in the box When not in use.
9. **DO NOT PLACE THE INFLATOR ON OR NEAR SOURCES OF DIRECT HEAT** or in locations where it will be exposed to direct sunlight for prolonged periods of time.
10. **DO NOT OPERATE THE TIRE INFLATOR IN OR AROUND FLAMMABLE ENVIRONMENTS.**
11. **USE ONLY THE ADAPTERS SUPPLIED** with the tire inflator.
12. **THE TIRE INFLATOR IS NOT WATERPROOF.**
13. **NEVER PUT THE CONNECTOR AND ADAPTORS INTO YOUR MOUTH, EAR OR EYE.** They are not toys.
14. **THE INFLATOR CONTAINS NO USER SERVICEABLE PARTS** – Do not open.
15. **FOR YOUR OWN SAFETY BE SURE TO FOLLOW THE INSTRUCTIONS** carefully when using the inflator. Other ways of use not mentioned in this manual could lead to injury.
16. **NO ALTERATIONS SHOULD BE MADE** to the Tire inflator, a attachments or adaptors supplied by the manufacturer.

Improper use of the inflator can cause damage to property and possibly harm the user. When using the tire inflator ensure the vehicle is parked in a safe location, off the road with the vehicle handbrake on and where your personal safety is not at risk.

COMPONENTS AND FUNCTIONAL DESCRIPTION

ENGLISH



1	Main power unit
2	Release push button
3	Power switch
4	Water inlet
5	Pressure wash unit
6	Short wand
7	Brass chuck
8	Nozzle adapter
9	Multi-spray nozzle
10	Extension wand
11	Inflator
12	Air pressure gauge
13	Blower/vacuum body
14	Dust cup
15	Blower/vacuum tube
16	6 m intake hose
17	Hose connector
18	Water pipe adapter
19	Soap bottle
20	Air nozzles
21	Battery
22	Charger

fig.1

SPECIFICATIONS

20 V Cordless Pressure Washer	
Max. Pressure	25 Bar (est.)
	2500 kPa (est.)
	363 psi (est.)
Flow	2.5 L/min. (est.)
	0.66 U.S gal. (est.)
Takeup Hose (1 included)	6 m
	19.7 ft.
Short wand (1 included)	
Spray nozzle (1 included)	
20 V Cordless Inflator	
Max. Pressure	7 Bar
	700 kPa
	100 psi
Inflation Hose	50 cm
	19.6 in.
20 V Cordless Vacuum Cleaner	
No-load speed	0 - 15000 rpm
Air flow	2.5 m ³ /min
	88.3 cu. ft.
Vacuum	8.0 kPa
	1.16 psi
Container capacity	0.6 L
	0.63 qt.
20 V Cordless Blower	
No-load speed	0 - 15000 rpm
Air flow	2.5 m ³ /min
	88.3 cu. ft.

OPERATING INSTRUCTIONS

BATTERY PACK

NOTE: The battery is not fully charged when shipped. Allow it to charge for 3-5 hours before the first use.



1. Normal charging time is 1-2 hours when the battery is completely dead.
2. Replace the battery (fig.2) with a freshly charged one when tool performance begins to diminish.
 - Severe heat is most destructive to a battery; the more heat it generates, the faster the battery loses power.
 - Allowing a battery to get too hot can shorten its life.
3. Never over-discharge a battery when using the tool even after tool performance has decreased. When tool performance begins to diminish, stop using the tool and recharge the battery for optimal performance.

OPERATING INSTRUCTIONS

HOW TO CHARGE THE BATTERY PACK

- Plug the charger into a 120 volt receptacle. When the charger is connected to AC household current, the green light is on.
- When the battery is properly inserted into the charger and charging (fig.4), the red light will flash.
- The red light will turn off and the green light remains lit once the battery is fully charged.
- After the charging is completed, remove the battery pack from the charging stand immediately. When charging more than one battery pack, allow the charger 15 minutes rest between charges.
- After many charge/discharge cycles, your battery may lose its ability to hold a charge. If so, please replace it. Dispose of batteries at an appropriate waste disposal facility. Do not throw batteries away in common trash receptacles.

BATTERY INSTALLATION AND REMOVAL

- To install: slide battery pack into the bottom of the tool(fig.5) until you hear a click. Make sure that the battery release latch (fig.5, A) is in place and battery is secure before operation.
- To remove: Press the battery release latch and pull the battery pack out at the same time.



fig.3

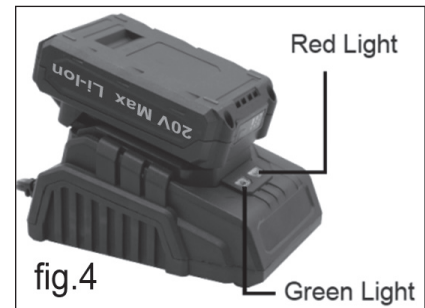


fig.4

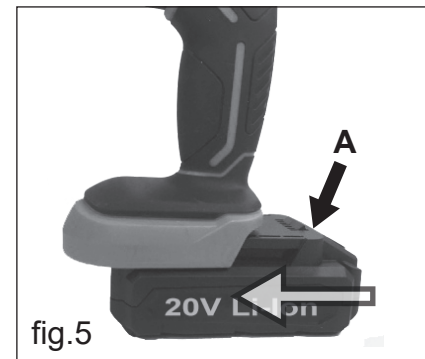


fig.5

20V CORDLESS PRESSURE WASHER

1. Attach the pressure wash unit to the main power unit as shown in fig.6. The lock and release button (fig.6, L) on top of the power unit should engage the pressure wash unit.
2. Press the short wand (the brass chuck should be at the other end) into the pressure wash unit (fig.7, 1) and turn clockwise until it is fixed in place (fig 7,



fig.6

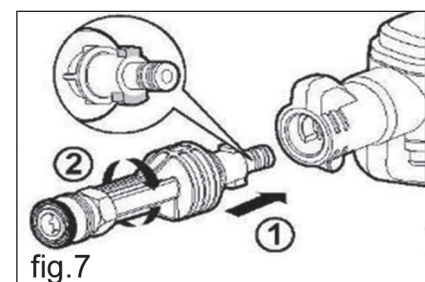
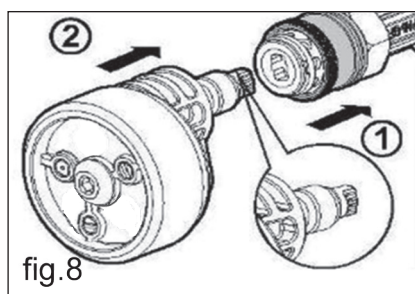


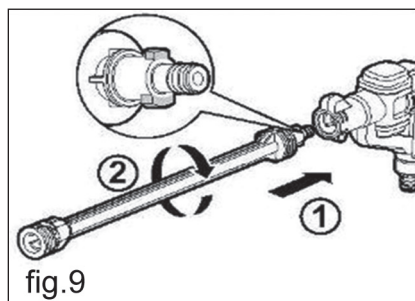
fig.7

2).

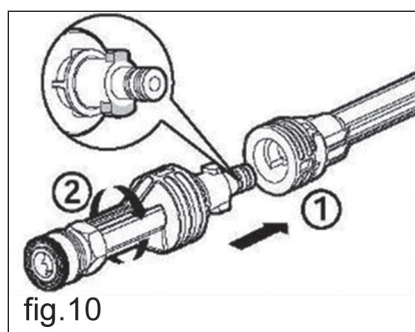
OPERATING INSTRUCTIONS



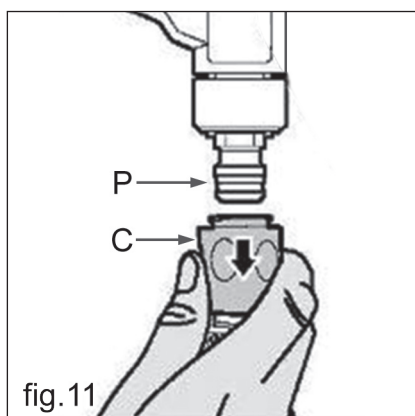
3. Pull backward on the brass chuck ring (fig.8, 1), insert the nozzle adapter with multi-spray nozzle into the short wand (fig.8, 2) and release the chuck ring.



4. If it is more convenient to position yourself further from the spray nozzle or you require a longer reach, insert the longer extension wand (fig.9, 1) into the pressure wash unit and turn it clockwise until it is fixed in place (fig.9, 2).

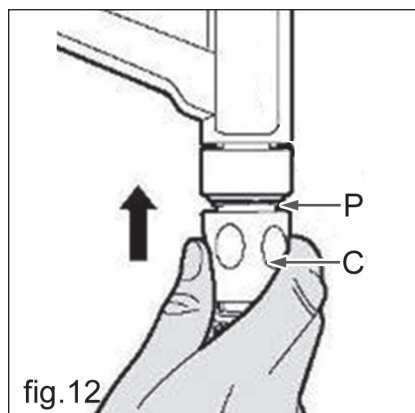


5. Following that, add the short wand (fig.10) before finally inserting the nozzle adapter with multi-spray nozzle into the short wand as in fig 8 above.



ADD THE INTAKE HOSE

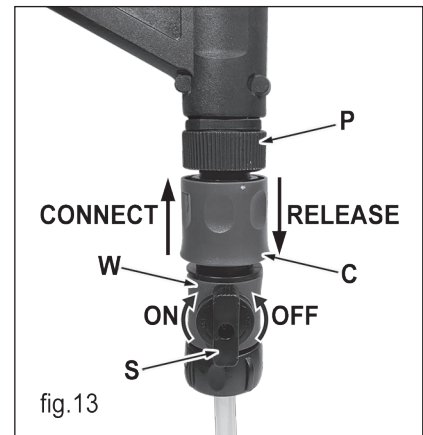
1. Pulling back on the connector's outer sleeve (fig.11, C),



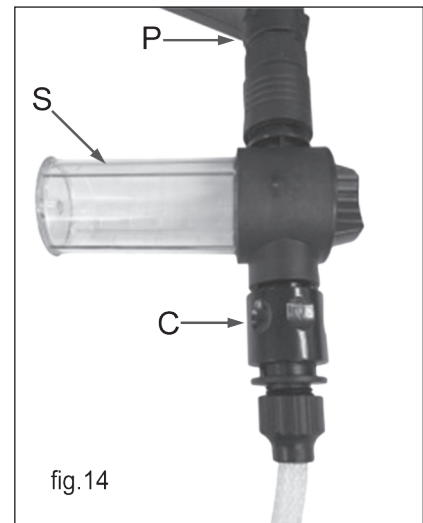
push the hose connector onto the inlet of the pressure wash unit (fig.12, P) .
Release the outer sleeve.

OPERATING INSTRUCTIONS

- Immerse the other end of the intake hose in a water source, ideally a bucket of water.
- When the product is connected with tap water, the water pipe joint (fig.13, W) can be used to prevent the gun head from leaking. The water pipe joint (fig.13, W) includes a switch function to start and stop the flow of water (fig.13, S). Push the water pipe joint (fig.13, W) onto the inlet of the pressure wash unit (fig.13, P). Pulling back on the connector's (fig.13, C) outer sleeve to release the water pipe joint (fig.13, W).

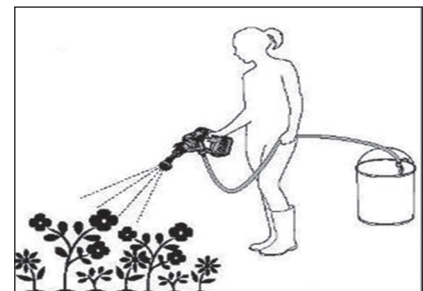
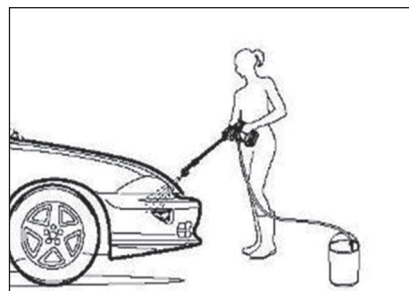
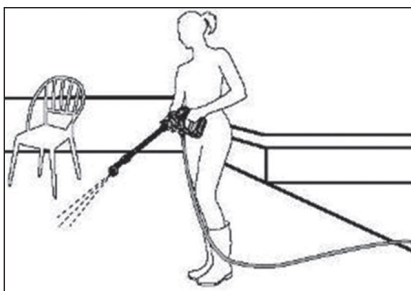
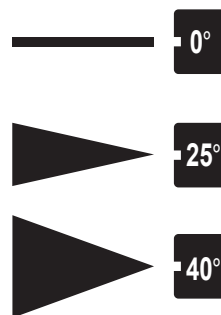


- You can also connect the soap bottle (fig.14, S) between the pressure wash water inlet (fig.14, P) and the hose connector (fig.14, C). This will inject soap from the bottle into the pressurized water stream.



CHOOSE THE SPRAY PATTERN

- Hold the nozzle adapter with one hand and turn the multi-spray nozzle with another hand to choose the spray pattern you want. There are three nozzles with 0°, 25°, 40° patterns.



OPERATING INSTRUCTIONS

20V CORDLESS INFLATOR

NOTE: Before using the tool, read the instruction book carefully.



fig.16

TO INSTALL COMPRESSOR UNIT TO THE POWER HEAD

1. Depress release button (fig.16 R) and slight downward pressure on the power unit will be sufficient install.
2. Depress release button to separate the compressor unit.

USING THE PRESSURE GAUGE

- The blue scale pressure units are in Bar.
- The black scale pressure units are in PSI.

TIRE CHECKS

- Check tires on a monthly basis.
- Incorrect inflation shortens the life and performance of your tires, increasing fuel consumption and jeopardising safety.



fig.17

VEHICLE TIRE INFLATION

1. Remove the dust cap from the tire valve and store in a safe place.
2. Plug the air hose's valve tip directly onto the tire's air valve, then press the lever down to lock it tightly
3. Check pressure gauge measurement in Bar or PSI.
4. If needed, add more air by pressing the trigger switch until the recommended pressure is reached.
5. Flip up the lever and remove the air hose from the tire valve.
6. Replace the tire valve dust cap.

NOTE: Only inflate tires to the manufacturer's specifications. Vehicle tire pressures can generally be found in the handbook, on the door pillar or on the inside of the fuel filler cap.



fig.18

INFLATABLE & LEISURE INFLATION

- Select the appropriate adapter and screw into the valve connector.
- The adapter for sports balls and the adaptor for air mattresses and rafts are clipped onto the rear of the Tire inflator.
- Insert the connector adapter into the appropriate inlet of the inflatable.

NOTE: Only inflate products to the manufacturer's specifications.

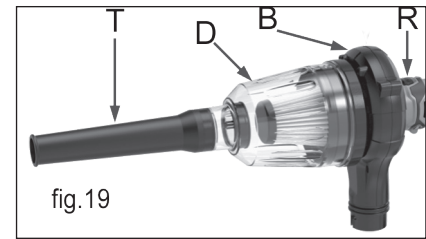
CLEANING

- Only clean the inflator using a clean dry cloth.
- Do not use cleaning products.
- Ensure the inflator is clear of any dust or other debris before connection.

OPERATING INSTRUCTIONS

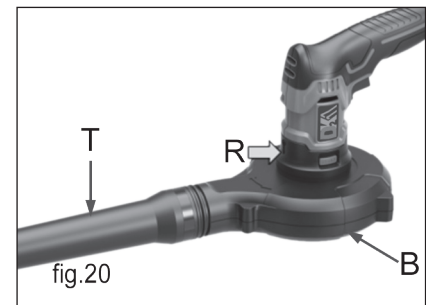
20V CORDLESS VACUUM CLEANER

1. Depressing the release button (fig.19, R) on the power unit and slight pressure will be sufficient to install.
2. Push the dust cup (fig.19, D) onto the blower body (fig.19 B) and turn it clockwise to lock in place.
3. Push blower tube (fig.19, T) onto the dust box and turn it clockwise to lock in place.
4. Turn the blower tube anti-clockwise and pull it out to separate it.
5. Turn the dust cup anti-clockwise and pull it out to separate it.
6. Depress the release push button to separate the vacuum/blower body from the main power unit.



20V CORDLESS BLOWER

1. Depressing the release button (fig.20, R) on the power unit and slight pressure will be sufficient to install.
2. To install, push blower tube onto the blower/vacuum body and turn it clockwise to lock in place.
3. Depress the release button to separate the blower body from the power unit.
4. Turn the blower tube anti-clockwise and pull out to separate it from the blower/vacuum body.



MAINTENANCE

- Remove the battery pack from the tool before carrying out and adjustment, servicing or maintenance.
- Your battery powered tool requires no additional lubrication or maintenance. There are no user serviceable parts in your tool. Never use water or chemical cleaners to clean your power tool. Wipe clean with a dry cloth.
- Always store your tool in a dry place. Keep the motor ventilation slots clean. Keep all working controls free of dust.

CLEANING

WARNING! Never use solvents or other harsh chemicals for cleaning the non-metallic parts of the tool. These chemicals may weaken the plastic materials used in these parts. Use a cloth dampened only with water and mild soap. Never let any liquid get inside the tool; never immerse any part of the tool into a liquid.





Modèle :

CHPW102

DETAIL K2 INC.



LAVEUSE HAUTE PRESSION SANS FIL 20V 4 EN 1

Manuel d'instructions

ARRÊTEZ!

Des questions, des problèmes, des pièces manquantes?
Ne retournez pas chez votre détaillant.

Veuillez appeler notre service à la clientèle au: 1 (888) 277-6960. Notre service client est prêt à fournir assistance. Si une pièce est endommagée ou manquante, des pièces de remplacement peuvent être expédiées de notre département de service à la clientèle. Pour une aide immédiate avec l'assemblage, ou pour plus d'informations sur le produit, appelez notre numéro sans frais en Amérique du Nord: 1 (888) 277-6960.

CONSERVEZ CE MANUEL

Vous aurez besoin de ce manuel pour les instructions de sécurité, les procédures d'utilisation et la garantie.
Mettez-le et la facture de vente originale dans un endroit sûr et sec pour référence future.

TABLE DES MATIÈRES

PRATIQUES DE FONCTIONNEMENT SÉCURISÉES IMPORTANTES	FR.3
CALIFORNIA PROPOSITION 65	FR.3
GÉNÉRAL.....	FR.3
SÉCURITÉ DE LA ZONE DE TRAVAIL.....	FR.3
SÉCURITÉ ÉLECTRIQUES.....	FR.4
SÉCURITÉ PERSONNELLE	FR.4
PRATIQUES DE FONCTIONNEMENT SÉCURISÉES IMPORTANTES	FR.4
SÉCURITÉ DES OUTILS ÉLECTRIQUES	FR.5
AVERTISSEMENTS DE SÉCURITÉ DU BLOC-PILES	FR.5
UTILISATION ET ENTRETIEN DES OUTILS DE LA BATTERIE	FR.6
RÈGLES DE SÉCURITÉ SPÉCIFIQUES	FR.6
RÈGLES DE SÉCURITÉ SPÉCIFIQUES POUR LE COMPRESSEUR D'AIR	FR.7
COMPOSANTS ET DESCRIPTION FONCTIONNELLE	FR.8
CARACTÉRISTIQUES	FR.9
LE BLOC BATTERIE	FR.10
MODE D'EMPLOI	FR.10
LAVEUSE À PRESSION SANS FIL 20V	FR.11
COMPRESSEUR D'AIR SANS FIL 20V	FR.13
ASPIRATEUR SANS FIL 20V	FR.14
VENTILATEUR SANS FIL 20V	FR.15
ENTRETIEN	FR.15
NETTOYAGE.....	FR.15

MERCI D'AVOIR ACHETÉ UN OUTIL DK2!

PRATIQUES DE FONCTIONNEMENT SÉCURISÉES IMPORTANTES

FRANÇAIS



ATTENTION : LA SÉCURITÉ D'ABORD— *Lisez attentivement ce manuel avant utiliser votre outil. Nous vous recommandons de lire ce manuel complètement afin que vous soyez pleinement conscient de toute sécurité importante recommandations. Enregistrez votre numéro de série.*

Pour utiliser correctement cet outil, vous devez respecter les règles de sécurité, les instructions de montage et les instructions de service figurant dans ce Manuel. Toutes les personnes qui utilisent et entretiennent l'outil doivent être informées de son danger potentiel et doit être familiarisé avec ce manuel. Les enfants doivent être surveillés en tout temps s'ils se trouvent dans la zone où l'outil est utilisé. Il est également impératif que vous respectiez les réglementations de prévention des accidents en vigueur votre région. Il en va de même pour les règles générales de santé et de sécurité au travail.

CALIFORNIA PROPOSITION 65



AVERTISSEMENT : *Ce produit peut vous exposer à des produits chimiques, notamment le DEHP, qui est connu de l'État de Californie pour causer le cancer et des malformations congénitales ou tout autre problème de reproduction. Pour plus d'informations, visitez www.P65Warnings.ca.gov.*

GÉNÉRAL



AVERTISSEMENT! *Lisez toutes les instructions, illustrations et spécifications fournies avec cet outil. Non-respect des avertissements et les instructions peuvent entraîner un choc électrique, un incendie et / ou des blessures graves. Le terme «Outil électrique» dans les avertissements fait référence à votre alimentation secteur (filaire) outil ou votre outil électrique fonctionnant sur batterie (sans fil). Lisez votre manuel du propriétaire soigneusement. Apprenez à connaître votre outil et familiarisez-vous avec ses applications et ses limites.*

1. Utilisez l'outil conformément aux directives de ce manuel. Ne pas en abuser ou l'obliger à faire un travail pour lequel il n'a pas été conçu.
2. Utilisez uniquement des pièces et accessoires d'origine. Consultez le manuel du propriétaire. L'utilisation d'accessoires incorrects peut entraîner des dangers imprévus.



AVERTISSEMENT : *N'essayez pas d'assembler et d'utiliser l'outil avant d'avoir lu attentivement ce manuel et parfaitement compris son contenu. L'utilisation incorrecte de votre outil DK2 peut entraîner des blessures graves et / ou des dommages à l'outil et au véhicule. Étant donné que Detail K2 Inc. ne termine pas son assemblage ou son installation, nous ne pouvons être tenus pour responsables blessures ou dommages que la mauvaise utilisation du produit peut produire.*

SÉCURITÉ DE LA ZONE DE TRAVAIL

1. Gardez la zone de travail propre et bien éclairée. Les zones encombrées et sombres peuvent créer des accidents.
2. Ne pas utiliser d'outils électriques dans des atmosphères explosives, telles que présence de liquides, gaz ou poussières inflammables. Les outils électriques créent des étincelles ce qui peut enflammer la poussière ou les fumées.
3. Éloignez les enfants et les personnes présentes lorsque vous utilisez un outil. Les distractions peuvent vous faire perdre le contrôle.

PRATIQUES DE FONCTIONNEMENT SÉCURISÉES IMPORTANTES

SÉCURITÉ ÉLECTRIQUES

1. Les fiches des outils électriques doivent correspondre à la prise. Ne modifiez jamais la fiche d'aucune façon. Ne pas utiliser de fiches d'adaptateur avec des outils électriques mis à la terre. Fiche Non modifié et les prises correspondantes réduiront le risque de choc électrique.
2. Évitez tout contact corporel avec des surfaces mises à la terre ou mises à la terre telle que des tuyaux, radiateurs, cuisinières et réfrigérateurs. Il y a un risque accru de choc électricité si votre corps est mis à la terre.
3. N'exposez pas les outils électriques à la pluie ou à des conditions humides. L'eau entrant dans une puissance l'outil augmentera le risque de choc électrique.
4. N'abusez pas du cordon. N'utilisez jamais le cordon pour transporter, tirer ou débrancher l'outil électrique. Gardez le cordon loin de la chaleur, de l'huile, des arêtes vives ou des pièces mobiles. Des cordons endommagés ou emmêlés augmentent le risque de choc électrique.
5. Lorsque vous utilisez un outil électrique à l'extérieur, utilisez une rallonge pour une utilisation en extérieur. L'utilisation d'un cordon adapté à une utilisation en extérieur réduit le risque.

SÉCURITÉ PERSONNELLE

1. Restez vigilant, regardez ce que vous faites et faites preuve de bon sens lors de l'utilisation un outil. N'utilisez pas d'outil lorsque vous êtes fatigué ou sous le influence des drogues, de l'alcool ou des médicaments. Un moment d'inattention tout en l'utilisation d'outils peut entraîner des blessures graves.
2. Utilisez un équipement de sécurité. Portez toujours des lunettes de protection. Lunettes de vue de tous les jours n'ont que des verres résistants aux chocs. Ce ne sont pas des lunettes de sécurité. Équipement de sécurité tel qu'un masque anti-poussière, des chaussures de sécurité antidérapantes, un casque ou une protection pour l'ouïe utilisée dans des conditions appropriées réduira les blessures corporelles.
3. Empêchez tout démarrage involontaire. Assurez-vous que l'interrupteur est en position d'arrêt avant connexion à une source d'alimentation et/ou à une batterie, ramasser ou transporter le outil. Transporter des outils électriques avec le doigt sur l'interrupteur ou alimenter les outils dont l'interrupteur est allumé provoque des accidents.
4. Retirez toute clé ou clé de réglage avant d'allumer l'outil. Une clé ou une clé attachée à une partie rotative de l'outil électrique peut entraîner blessure personnelle.
5. Ne vous étendez pas trop. Gardez une bonne assise et un bon équilibre à tout moment. Cela permet un meilleur contrôle de l'outil dans des situations inattendues.
6. Habillez-vous correctement. Ne portez pas de vêtements amples ni de bijoux. Gardez vos cheveux, vêtements et gants loin des pièces mobiles. Vêtements amples, bijoux ou longs les cheveux peuvent se coincer dans les pièces mobiles.
7. Si des dispositifs sont fournis pour le raccordement de l'aspiration et de la collecte des poussières installations, assurez-vous qu'ils sont connectés et correctement utilisés. Utilisation de ces les appareils peuvent réduire les risques liés à la poussière.
8. Ne laissez pas la familiarité acquise grâce à l'utilisation fréquente d'outils vous complaire et ignorer les principes de sécurité des outils. Une action imprudente peut provoquer blessure grave en une fraction de seconde.
9. Pour des raisons de sécurité, gardez les enfants et les animaux à distance de l'outil et du zone d'exploitation.

PRATIQUES DE FONCTIONNEMENT SÉCURISÉES IMPORTANTES

SÉCURITÉ DES OUTILS ÉLECTRIQUES

1. Ne forcez pas l'outil électrique. Utilisez l'outil électrique approprié à votre application. L'outil électrique correct fera le travail mieux et plus sûr à la vitesse pour laquelle il a été conçu.
2. N'utilisez pas l'outil électrique si l'interrupteur ne le met pas sous et hors tension. Tout pouvoir un outil qui ne peut pas être commandé avec l'interrupteur est dangereux et doit être réparé.
3. Débranchez la fiche de la source d'alimentation avant de procéder à tout réglage, changer les accessoires ou ranger les outils électriques. Une telle sécurité préventive les mesures réduisent le risque de démarrage accidentel de l'outil électrique.



AVERTISSEMENT! *N'utilisez que des fixations ou accessoires recommandés par le fabricant.*



AVERTISSEMENT! *Utilisation de pièces non autorisées ou non-respect des instructions de la maintenance. Les peuvent créer un risque de choc électrique ou de blessure.*

REMARQUE : *Tous les accessoires illustrés ou décrits ne sont pas inclus dans livraison standard.*

AVERTISSEMENTS DE SÉCURITÉ DU BLOC-PILES



AVERTISSEMENT! *Lisez tous les avertissements et instructions de sécurité. Non-respect des avertissements et les instructions peuvent entraîner un choc électrique, un incendie et / ou de graves blessure.*



AVERTISSEMENT! *Risque d'incendie et de brûlures. Ne pas démonter, chauffer au-dessus de 100 °C (212 °F), ou incinérer. N'exposez pas les cellules ou les batteries à la chaleur ou au feu. Éviter L'entreposage en plein soleil.*

1. **RECYCLER RAPIDEMENT LES PILES USAGÉES.** Lors de l'élimination des cellules ou batteries, conserver les cellules ou batteries de différents systèmes électrochimiques séparés les uns des autres.
2. **GARDER LA BATTERIE HORS DE LA PORTÉE DES ENFANTS** et dans son emballage d'origine jusqu'à utilisation.
3. **NE JAMAIS METTRE LES PILES DANS LA BOUCHE.** En cas d'ingestion, contactez votre médecin ou un eco-centre local.



ATTENTION : *La batterie utilisée dans cet appareil peut présenter un risque d'incendie ou brûlure chimique en cas de mauvais traitement. Remplacez la batterie par DK2 uniquement. Utilisation d'un autre la batterie peut présenter un risque d'incendie ou d'explosion.*



AVERTISSEMENT! *N'utilisez pas une batterie ou un appareil visiblement endommagé.*



AVERTISSEMENT! *Ne modifiez pas et n'essayez pas de réparer l'appareil ou la batterie pack.*

PRATIQUES DE FONCTIONNEMENT SÉCURISÉES IMPORTANTES

4. **LA BATTERIE DOIT ÊTRE RECYCLÉE.**
5. **NE PAS COURT-CIRCUITER UNE PILE OU UNE BATTERIE.** N'entreposer les piles au hasard dans une boîte ou un tiroir où elles être court-circuité par des matériaux conducteurs.
6. **NE SOUMETTEZ PAS** les batteries à des chocs mécaniques.
7. **GARDEZ LES PILES PROPRES ET SÈCHES.** Essuyez les bornes de la batterie avec un chiffon propre et sec si elles sont sales.
8. **NE PAS MAINTENIR LES BATTERIES DE RECHANGE EN CHARGE** lorsqu'elles ne sont pas utilisées.
9. **CONSERVEZ LA LITTÉRATURE ORIGINALE DE LA BATTERIE** pour les références à l'avenir.
10. **N'UTILISEZ AUCUN CHARGEUR AUTRE QUE CELUI FOURNI SPÉCIFIQUEMENT** pour une utilisation avec l'équipement. Les batteries doivent être chargées avant utilisation. Utilisez toujours le chargeur approprié et reportez-vous conformément aux instructions du fabricant ou au manuel de l'équipement pour une charge appropriée instructions.
11. **LORSQUE C'EST POSSIBLE, ENLEVEZ LA BATTERIE DE L'ÉQUIPEMENT,** lorsqu'hors service.
12. **ÉVITEZ LES DÉMARRAGES INUTILISÉS.** Assurez-vous que le commutateur est hors tension avant de se connecter à la batterie, de ramasser ou de transporter le appareil. Transporter l'appareil avec le doigt sur l'interrupteur ou le mettre sous tension l'appareil dont l'interrupteur est enclenché invite aux accidents.
13. **DÉBRANCHEZ LE BLOC BATTERIE DE L'APPAREIL AVANT DE FAIRE DES AJUSTEMENTS,** de changer d'accessoire ou entreposage de l'appareil. Ces mesures de sécurité préventives réduisent le risque de démarrage accidentel de l'appareil.



UTILISATION ET ENTRETIEN DES OUTILS DE LA BATTERIE

1. Rechargez uniquement avec le chargeur spécifié par le fabricant. Un chargeur qui pourrait convenir autre que le chargeur original à un type de batterie peut créer un risque d'incendie lors de l'utilisation avec une autre batterie.
2. Utilisez les outils électriques uniquement avec des blocs-piles spécifiquement désignés. Utilisation de tout d'autres batteries peuvent créer un risque en cas de blessure et d'incendie.
3. Lorsque la batterie n'est pas utilisée, éloignez-la des objets métalliques, comme les papiers clips, pièces de monnaie, clés, clous, vis ou autres petits objets métalliques, qui peuvent faire une connexion d'un terminal à un autre. Court-circuiter les bornes de la batterie peut provoquer des brûlures ou un incendie.
4. Ne brûlez pas la batterie et ne la jetez pas par incinération..



AVERTISSEMENT! Dans des conditions abusives, du liquide peut être éjecté de la batterie; éviter tout contact. En cas de contact accidentel, rincer à l'eau. Si liquide contact avec les yeux, consulter en outre un médecin. Liquide éjecté de la batterie peut provoquer une irritation ou des brûlures.



RÈGLES DE SÉCURITÉ SPÉCIFIQUES POUR CET OUTIL

AVERTISSEMENT! Lors de l'utilisation de ce produit, des précautions de base doivent toujours être suivies, notamment :



- Pour réduire le risque de blessure, une surveillance étroite est nécessaire lorsqu'un produit est utilisé à proximité des enfants.

PRATIQUES DE FONCTIONNEMENT SÉCURISÉES IMPORTANTES

- Savoir arrêter le produit et purger rapidement les pressions. Soyez très familiarisé avec les commandes.
- Restez vigilant - regardez ce que vous faites.
- N'utilisez pas le produit en cas de fatigue ou sous l'influence de l'alcool ou de la drogue.
- Gardez la zone d'opération à l'écart de toute personne.
- Ne vous étendez pas trop et ne vous tenez pas sur un support instable. Gardez un bon pied et équilibre en tout temps.
- Suivez les instructions d'entretien spécifiées dans le manuel.



AVERTISSEMENT! *Risque d'injection ou de blessure - ne dirigez pas le flux de décharge personnes.*

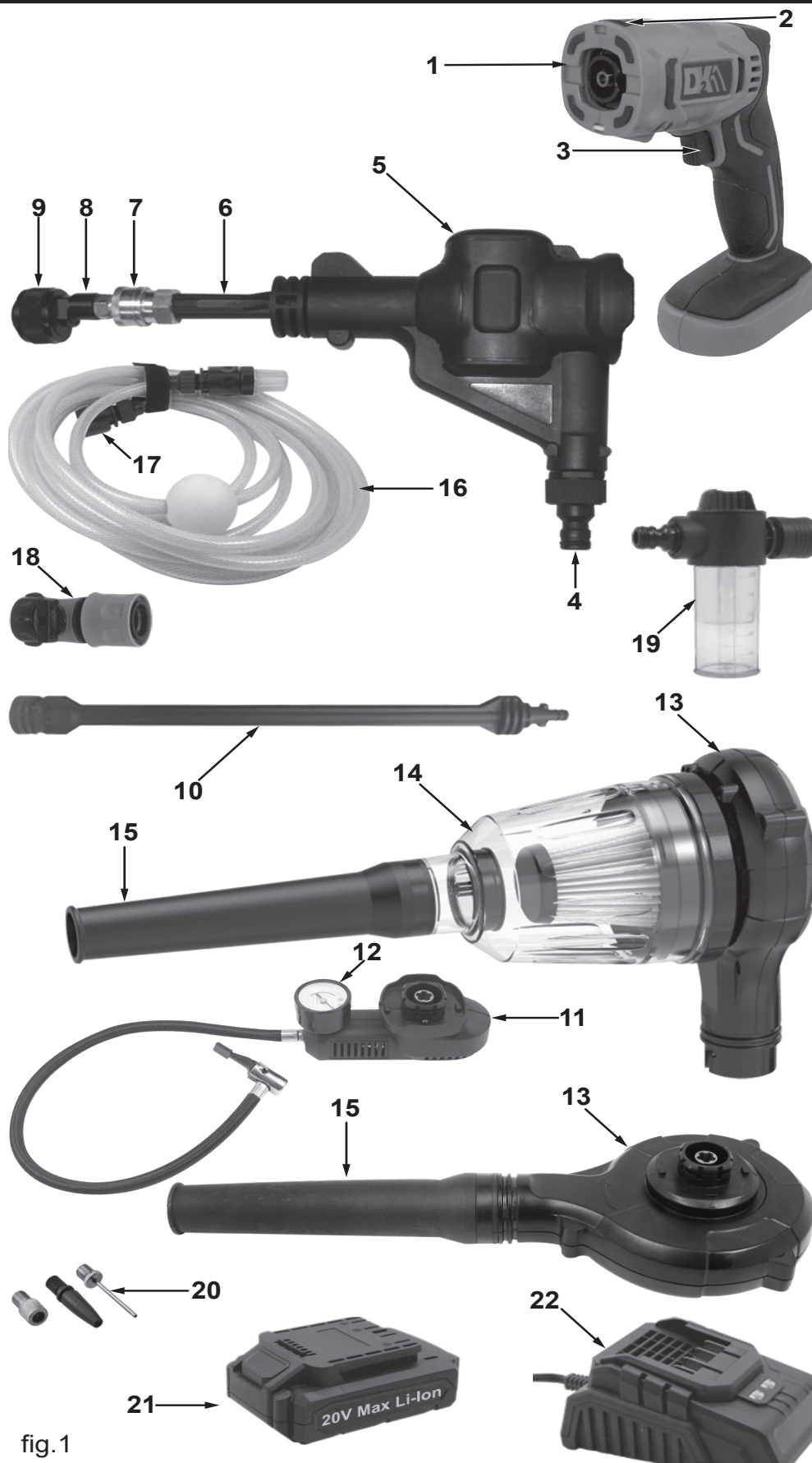
- Ne pas vaporiser l'appareil électrique ni de câblage.

RÈGLES DE SÉCURITÉ SPÉCIFIQUES POUR LE COMPRESSEUR D'AIR

INFORMATIONS GÉNÉRALES ET AVERTISSEMENTS DE SÉCURITÉ

1. **INSPECTER LE COMPRESSEUR D'AIR DE PNEUS** avant chaque utilisation et ne pas utiliser si les composants sont tordus, cassés, brûlés, fondus, humides ou endommagés.
2. **VÉRIFIEZ LES PRESSIONS DES PNEUS AVANT DE GONFLER** afin de ne pas dépasser la pression nominale, car les pneus peuvent éclater s'ils sont trop gonflés.
3. **NE PAS UTILISER LE COMPRESSEUR D'AIR DE PNEU SUR DES PNEUS HAUTE PRESSION** comme celles utilisées sur les véhicules utilitaires, agricoles ou véhicules spécialisés.
4. **NE PAS PLIER OU BLOQUER LE TUYAU D'AIR** lorsque le compresseur d'air de pneus est en travail.
5. **LE COMPRESSEUR N'EST PAS CONÇU POUR UNE UTILISATION CONTINUE.** Un fonctionnement sur une longue période de temps surchauffera et endommagera le compresseur d'air. Il ne doit pas être utilisé en continu pendant plus de 30 minutes. Après 10 minutes, éteignez-le et laissez-le refroidir pendant 15 minutes avant de reprendre le fonctionnement.
6. **COUPEZ L'ALIMENTATION IMMÉDIATEMENT** si le compresseur fait un son anormal ou la température de l'unité est trop élevée et laissez-la refroidir au moins 30 minutes avant de reprendre l'opération.
7. **NE LAISSEZ PAS LE COMPRESSEUR SANS SURVEILLANCE**, garder hors de la portée des enfants.
8. **CONSERVEZ LE COMPRESSEUR D'AIR** dans un environnement frais, sec et sans poussière dans la boîte lorsqu'il n'est pas utilisé.
9. **NE PLACEZ PAS LE COMPRESSEUR SUR OU À PROXIMITÉ DES SOURCES DE DIRECT CHAUFFER** ou dans des endroits où il sera exposé à la lumière directe du soleil pendant une période prolongée.
10. **N'UTILISEZ PAS LE COMPRESSEUR À AIR DE PNEUS DANS OU AUTOUR ENVIRONNEMENTS INFLAMMABLES.**
11. **UTILISEZ UNIQUEMENT LES ADAPTATEURS FOURNIS** avec le compresseur d'air.
12. **LE COMPRESSEUR D'AIR POUR PNEU N'EST PAS ÉTANCHE.**
13. **NE METTEZ JAMAIS LE CONNECTEUR ET LES ADAPTATEURS DANS VOTRE BOUCHE, OREILLE OU OEIL.** Ce ne sont pas des jouets.
14. **LE COMPRESSEUR NE CONTIENT AUCUNE PIÈCE RÉPARABLE PAR L'UTILISATEUR** – Ne pas L'ouvrir.

COMPOSANTS ET DESCRIPTION FONCTIONNELLE



1	Bloc d'alimentation principal
2	Bouton-poussoir de relâche
3	Interrupteur d'alimentation
4	Entrée d'eau
5	Unité de lavage sous pression
6	Tube court
7	Mandrin en laiton
8	Adaptateur de buse
9	Buse multipulvérisation
10	Tube extension
11	Gonfleur
12	Manomètre de pression d'air
13	Ventilateur / corps d'aspirateur
14	Bac à poussière
15	Souffleur / tube à vide
16	Tuyau d'admission de 6 m
17	Connecteur de tuyau
18	Adaptateur de tuyau d'eau
19	Bouteille de savon
20	Buses d'air
21	Batterie
22	Chargeur

fig.1

CARACTÉRISTIQUES

15. **POUR VOTRE PROPRE SÉCURITÉ, ASSUREZ-VOUS DE SUIVRE LES INSTRUCTIONS** soigneusement lors de l'utilisation du compresseur. Autres modes d'utilisation non mentionnée dans ce manuel peu entraîner des blessures.
16. **AUCUNE MODIFICATION NE DOIT ÊTRE EFFECTUÉE** sur le compresseur d'air pour pneus, ou adaptateurs fournis par le fabricant.
17. **UNE UTILISATION INCORRECTE DU COMPRESSEUR PEUT CAUSER DES DOMMAGES À PROPRIÉTÉ ET NUISIBLE POSSIBLE POUR L'UTILISATEUR.** Lors de l'utilisation du pneu le gonfleur garantit que le véhicule est stationné dans un endroit sûr, hors de la route frein à main du véhicule et où votre sécurité personnelle n'est pas en danger.

Nettoyeur haute pression sans fil 20 V	
Max. Pression	25 Bar (est.)
	2500 kPa (est.)
	363 psi (est.)
Débit	2,5 L/min. (est.)
	0,66 U.S gal. (est.)
Tuyau d'aspiration (1 inclus)	6 m
	19,7 pi.
Tige courte (1 incluse)	
Buse de pulvérisation (1 incluse)	
Compresseur d'air sans fil 20 V	
Max. Pression	7 Bar
	700 kPa
	100 psi
Tuyau de gonflage	50 cm
	19,6 pouces
Aspirateur sans fil 20 V	
Vitesse à vide	0 - 15000 tr/min
Débit d'air	2,5 m ³ /min
	88,3 pi/cu.
Vide	8,0 kPa
	1,16 psi
Capacité du conteneur	0,6 L
	0,63 qt.
Souffleur sans fil 20 V	
Vitesse à vide	0 - 15000 rpm
Débit d'air	2,5 m ³ /min
	88,3 pi/cu.

MODE D'EMPLOI

LE BLOC BATTERIE

REMARQUE: la batterie n'est pas complètement chargée lors de l'expédition. Laissez-la sur la charge pendant 3-5 heures avant la première utilisation.

1. Le temps de charge normal est de 1 à 2 heures lorsque la batterie est complètement déchargée.
2. Remplacer la batterie (fig.2) avec une fraîchement chargée lorsque la performance de l'outil commence à diminuer.



fig.2

- La chaleur intense est la plus destructrice pour une batterie; plus il génère de chaleur, plus vite la batterie perd de la puissance.
 - Laisser une batterie devenir trop chaude peut raccourcir sa durée de vie.
3. Ne jamais surdécharger la batterie en utilisant l'outil, même après que la performance de l'outil est diminué. Lorsque les performances de l'outil commencent à diminuer, arrêtez d'utiliser l'outil et rechargez la batterie pour des performances optimales.



fig.3

COMMENT CHARGER LE BLOC BATTERIE

- Branchez le chargeur (fig.3) dans une prise de 120 volts. Lorsque le chargeur est connecté au courant AC domestique, le voyant vert est allumé.
- Lorsque la batterie est correctement insérée dans le chargeur et en charge (fig.4), le voyant rouge clignote.
- Le voyant rouge s'éteint et le voyant vert reste allumé une fois que la batterie est complètement chargée.
- Une fois le chargement terminé, retirez la batterie du chargeur immédiatement. Lorsque vous chargez plusieurs batteries, laissez chargeur 15 minutes de repos entre les charges.
- Après de nombreux cycles de charge / décharge, votre batterie peut perdre sa capacité de charge. Si oui, veuillez le remplacer. Disposer de la Batterie en la recyclant de façon appropriée. Ne jetez pas les piles dans les poubelles courantes.

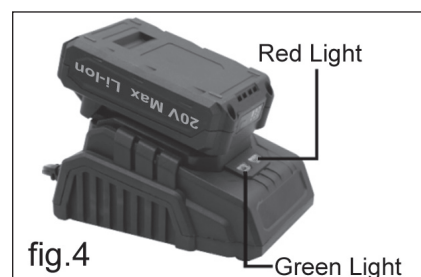


fig.4

INSTALLATION ET RETRAIT DE LA BATTERIE

- Pour installer: faites glisser la batterie dans le bas de l'outil (fig.5) jusqu'à ce que cliquez sur.. Assurez-vous que le loquet de libération de la batterie (fig.5, A) est en place et que la batterie est sécurisée avant l'opération.
- Pour retirer: appuyez sur le loquet de dégagement de la batterie et retirez le même temps.

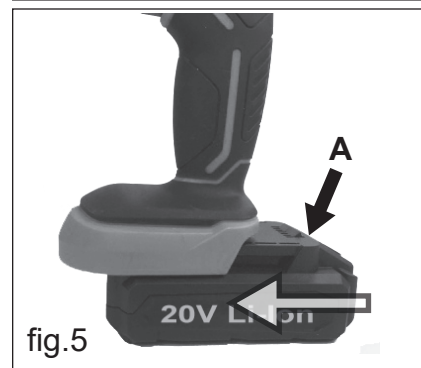


fig.5



fig.6

LAVEUSE À PRESSION SANS FIL 20V

1. Fixez l'unité de lavage sous pression à l'unité d'alimentation principale, comme illustrée à la fig.6. le bouton de verrouillage et de déverrouillage (fig.6, L) sur le dessus du bloc d'alimentation doit être enclenché.

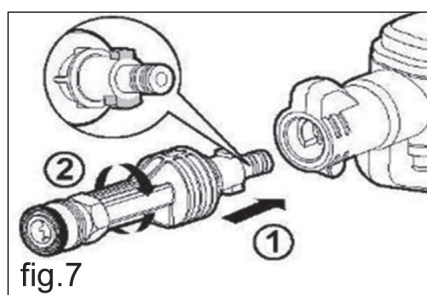


fig.7

2. Appuyez sur la petite baguette (le mandrin en laiton doit être à l'autre extrémité) l'unité de lavage sous pression (fig.7, 1) et tourner dans le sens des aiguilles d'une montre jusqu'à ce qu'elle soit bien en place (fig 7, 2).

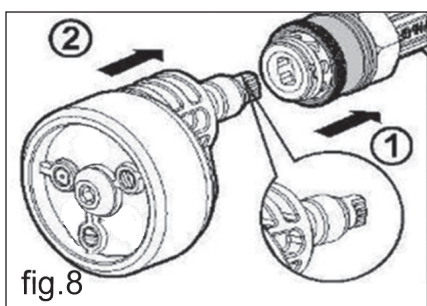


fig.8

3. Tirez vers l'arrière l'anneau de serrage en laiton (fig.8, 1), insérez l'adaptateur de buse avec buse multipulvérisation dans la lance courte (fig.8, 2) et libérez le mandrin bague.

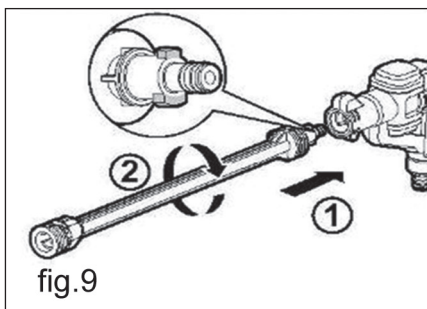


fig.9

4. S'il est plus pratique de vous placer plus loin de la buse de pulvérisation ou vous avez besoin d'une portée plus longue, insérez la rallonge plus longue (fig.9, 1) dans le l'unité de lavage sous pression et tournez-la dans le sens des aiguilles d'une montre jusqu'à ce qu'elle soit bien en place (fig.9, 2).

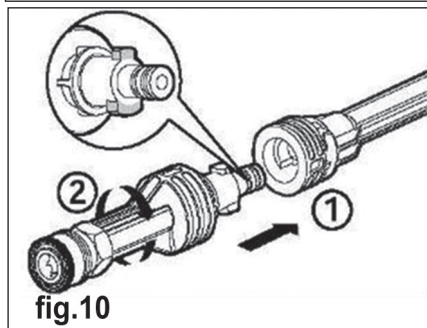


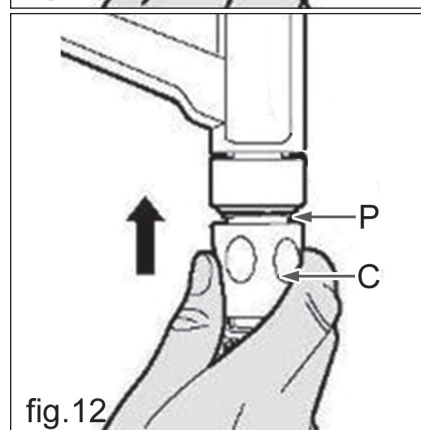
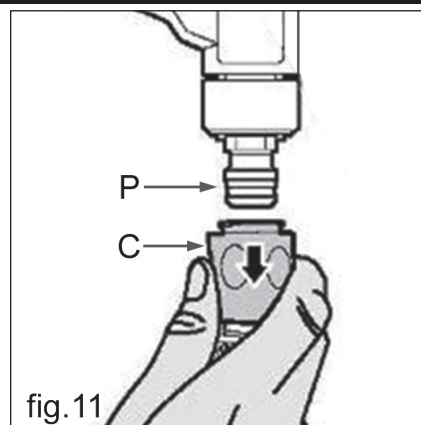
fig.10

5. Ensuite, ajoutez la petite baguette (fig.10) avant d'insérer enfin la buse adaptateur avec buse multipulvérisation dans la buse courte comme dans la figure 8 ci-dessus.

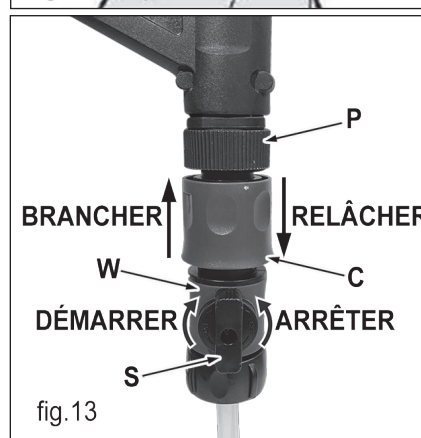
MODE D'EMPLOI

AJOUTER LE TUYAU D'ADMISSION

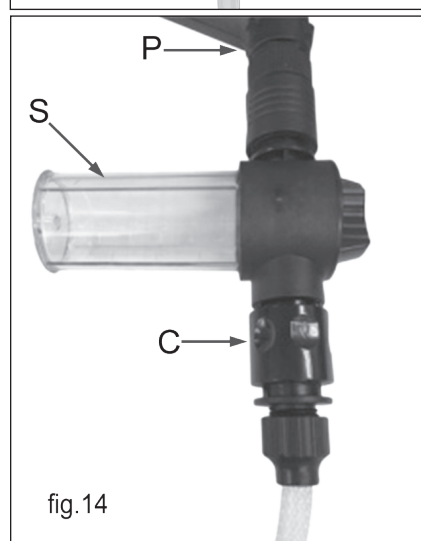
1. Tirez sur le manchon extérieur du connecteur (fig.11, C), poussez le raccord du tuyau sur l'entrée de l'unité de lavage sous pression (fig.12, P). Relâchez le manchon extérieur.
2. Plongez l'autre extrémité du tuyau d'admission dans une source d'eau, idéalement un seau de l'eau.



3. Lorsque l'unité est raccordée à l'eau du robinet, le raccord de la conduite d'eau (fig.13, W) peut être utilisé pour empêcher la tête du pistolet de fuir. Le joint de la conduite d'eau (fig.13, W) comprend une fonction de commutation pour démarrer et arrêter le débit d'eau (fig.13, S). Poussez le raccord du tuyau d'eau (fig.13, W) sur l'entrée de l'unité de lavage (fig.13, P). Pour le retrait, pousser le manchon du connecteur (fig.13, C) vers le haut pour libérer le joint de la conduite d'eau (fig.13, W).



4. Vous pouvez également connecter la bouteille de savon (fig.14, S) entre le lavage sous pression entrée d'eau (fig.14, P) et le raccord de tuyau (fig.14, C). Cela injectera du savon de la bouteille dans le jet d'eau sous pression.

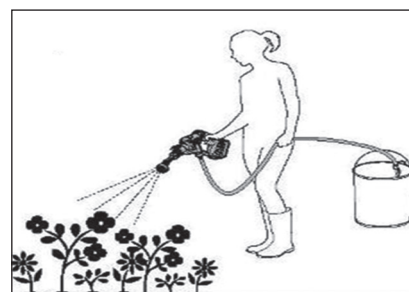
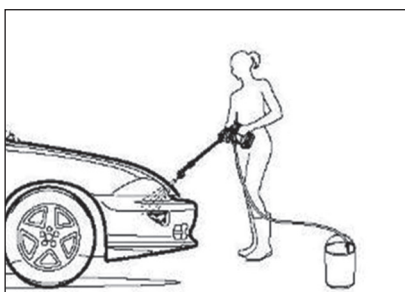
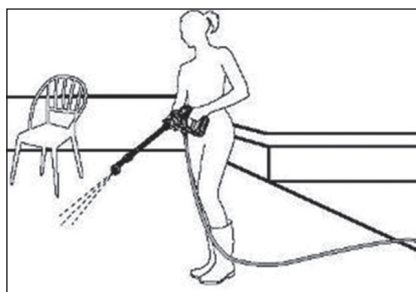
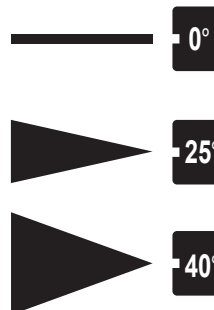


MODE D'EMPLOI



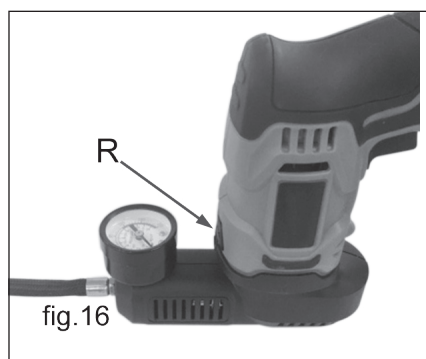
CHOISISSEZ LE MOTIF DE PULVÉRISATION

5. Tenez l'adaptateur de buse d'une main et tournez la buse multipulvérisation avec une autre main pour choisir le modèle de pulvérisation que vous souhaitez. Il y a trois buses avec motifs 0°, 25°, 40°..



COMPRESSEUR D'AIR SANS FIL 20V

REMARQUE: Avant d'utiliser l'outil, lisez attentivement le manuel d'instructions.



POUR INSTALLER L'UNITÉ DE COMPRESSEUR SUR LA TÊTE D'ALIMENTATION

1. Appuyez sur le bouton de déverrouillage (fig.16, R) et appuyez légèrement vers le bas l'unité d'alimentation sera suffisante pour l'installation.
2. Appuyez sur le bouton de déverrouillage pour séparer le compresseur

UTILISATION DE LA JAUGE DE PRESSION

- Les unités de pression de l'échelle bleue sont en bar.
- Les unités de pression à échelle noire sont en PSI.

CONTRÔLE DE PRESSION DES PNEUS

- Vérifiez les pneus sur une base mensuelle.
- Un gonflage incorrect raccourcit la durée de vie et les performances de vos pneus, la consommation de carburant et la sécurité.

MODE D'EMPLOI

GONFLAGE DES PNEUS DU VÉHICULE

1. Retirez le capuchon anti-poussière de la valve du pneu et rangez-le dans un endroit sûr.
2. Branchez la pointe de la valve du tuyau à air directement sur la valve à air du pneu, puis appuyez levier vers le bas pour le verrouiller fermement
3. Vérifiez la mesure du manomètre en Bar ou PSI.
4. Si nécessaire, ajoutez plus d'air en appuyant sur la gâchette jusqu'à ce que la pression est atteinte.
5. Relevez le levier et retirez le tuyau d'air de la valve du pneu.
6. Remettez le capuchon anti-poussière de la valve du pneu.



fig.17

REMARQUE: *Gonflez uniquement les pneus conformément aux spécifications du fabricant. Pneu de véhicule les pressions se trouvent généralement dans le manuel, sur le montant de la porte ou sur le à l'intérieur du bouchon de remplissage de carburant.*

GONFLAGE & GONFLAGE DE LOISIRS

- Sélectionnez l'adaptateur approprié et vissez-le dans le connecteur de valve.
- L'adaptateur pour ballons de sport et l'adaptateur pour matelas pneumatiques et radeaux sont attachés à l'arrière du gonfleur de pneus.
- Insérez l'adaptateur de connecteur dans l'entrée appropriée du gonflable.

REMARQUE: *Gonflez uniquement les produits selon les spécifications du fabricant.*

NETTOYAGE

- Nettoyez le gonfleur uniquement à l'aide d'un chiffon propre et sec.
- N'utilisez pas de produits de nettoyage.
- Assurez-vous que le gonfleur est exempt de poussière ou d'autres débris avant la connexion.

ASPIRATEUR SANS FIL 20V

1. Appuyez sur le bouton de déverrouillage (fig.19, R) sur le bloc d'alimentation et la pression sera suffisante pour installer.

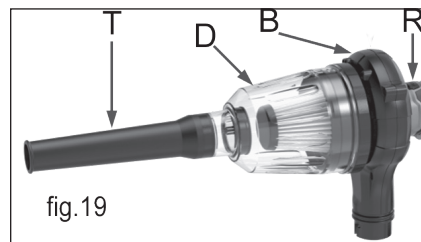
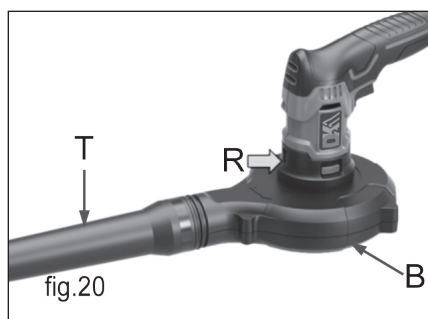


fig.19

2. Poussez le bac à poussière (fig.19, D) sur le corps du ventilateur (fig.19, B) et tournez-le dans le sens horaire pour verrouiller en place.
3. Poussez le tube du ventilateur (fig.19, T) sur le bac à poussière et tournez-le dans le sens des aiguilles d'une montre pour le verrouiller endroit.
4. Tournez le tube du ventilateur dans le sens inverse des aiguilles d'une montre et tirez-le pour le séparer.
5. Tournez le bac à poussière dans le sens inverse des aiguilles d'une montre et retirez-le pour le séparer.
6. Appuyez sur le bouton de déverrouillage pour séparer le corps de l'aspirateur / l'unité d'alimentation principale.

MODE D'EMPLOI



VENTILATEUR SANS FIL 20V

1. Appuyez sur le bouton de déverrouillage (fig.20, R) sur le bloc d'alimentation et la pression sera suffisante pour installer.
2. Pour installer, poussez le tube du ventilateur sur le corps du ventilateur / aspirateur et tournez-le dans le sens horaire pour verrouiller en place.
3. Appuyez sur le bouton de déverrouillage pour séparer le corps du ventilateur de l'unité d'alimentation.
4. Tournez le tube du ventilateur dans le sens inverse des aiguilles d'une montre et tirez-le pour le séparer du boîtier.

ENTRETIEN

- Retirez la batterie de l'outil avant d'effectuer et de régler, entretien ou maintenance.
- Votre outil électrique ne nécessite aucune lubrification ou maintenance supplémentaire. Aucune pièce réparable par l'utilisateur dans votre outil électrique. N'utilisez jamais d'eau ou de produits chimiques nettoyants pour nettoyer votre outil électrique. Essuyer avec un chiffon sec.
- Rangez toujours votre outil électrique dans un endroit sec. Gardez les fentes de ventilation du moteur nettoyer. Gardez toutes les commandes de travail exemptes de poussière.

NETTOYAGE



AVERTISSEMENT! *N'utilisez jamais de solvants ou d'autres produits chimiques agressifs pour le nettoyage les parties non métalliques de l'outil. Ces produits chimiques peuvent affaiblir le plastique matériaux utilisé dans ces pièces. Utilisez un chiffon humidifié uniquement avec de l'eau et doux savon. Ne laissez jamais de liquide pénétrer à l'intérieur de l'outil; ne plongez jamais aucune partie du outil dans un liquide.*