

cumulus

Use & Care Guide

Scan for setup videos



Table of contents

| | |
|----------------------|-------|
| Important Safeguards | p. 8 |
| Specifications | p. 15 |
| Machine Features | p. 18 |
| Machine Set Up | p. 20 |
| Coffee Brewing | p. 23 |
| Machine Maintenance | p. 26 |
| Using Plumbed Mode | p. 30 |
| Troubleshooting | p. 32 |
| Warranty | p. 34 |

Visit our Help Center
for FAQs, guided
videos, and more.



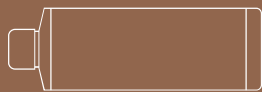
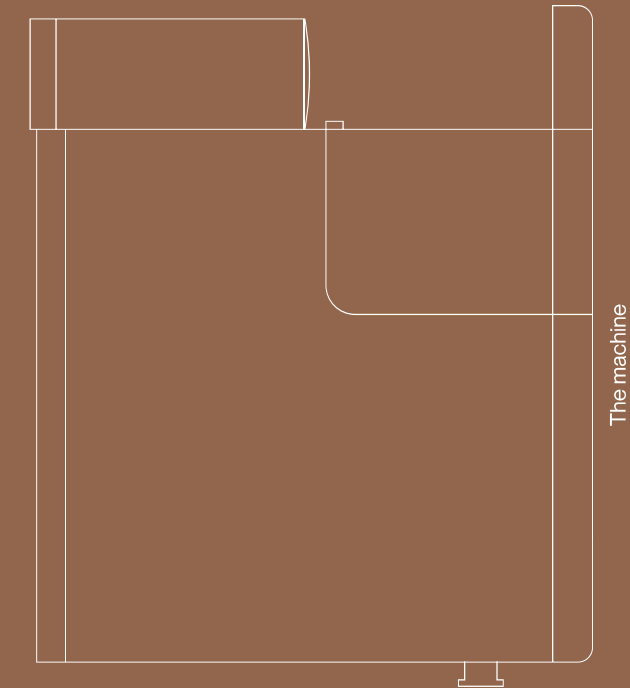


Your new cold coffee ritual is *here*.

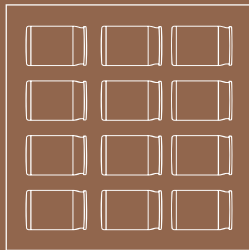
Designed exclusively for cold coffee, the Cumulus Machine makes the perfect cup of cold brew, nitro cold brew, or cold espresso with the touch of a button - no ice needed.



In the box



Cleaning solution



Coffee sampler



Blank cleaning capsule
(ships inside capsule holder)



Water filter
(ships inside water tank)

IMPORTANT SAFEGUARDS

READ ALL INSTRUCTIONS

WARNING

To reduce the risk of fire, explosion, electric shock, or injury when using this machine, follow these basic safety precautions.

- Do not, under any circumstances, alter or remove the third (ground) prong from the power cord. For personal safety, the machine must be properly grounded.
- Do not exceed power outlet ratings. It is recommended that the machine is connected to its own circuit. Use only a 120V, 60 Hz standard electrical supply that is properly grounded in accordance with the National Electric Code and local codes and ordinances.
- Due to potential safety hazards under certain conditions, we strongly advise against the use of an extension cord. However, if you must use an extension cord, it is absolutely necessary that it is a UL-listed, 3-wire ground type appliance extension cord having a grounding type plug and that the electrical rating of the cord be 15 Amperes (minimum) and 120 Volts.
- The machine must be properly set up and located in accordance with the setup instructions before it is used. The machine is for indoor household use only. Do not use outdoors.
- This machine is not intended for use by persons (including children) with reduced physical, sensory, or mental capabilities, or lack of experience and knowledge, unless they are closely supervised and instructed concerning use of the machine by a person responsible for their safety.
- Close supervision is necessary when any appliance is used by or near children. Children should be

supervised to ensure that they do not play with, climb, stand, or hang on the machine. They could seriously injure themselves.

- Do not let the power cord hang from a table or over the edge of a counter, where children could pull or trip on it.
- Place the power cord in such a way that it is not in contact with hot surfaces.
- Do not operate this machine with a damaged power cord or plug, or after the machine malfunctions, or is dropped or damaged in any manner. Contact customer service for information on examination, repair, or adjustment.
- Turn off and unplug the machine before cleaning by hand and when not in use.
- To unplug, grasp the plug and pull from the outlet. Never pull from the power cord.
- Do not plug or unplug the machine with wet hands.
- Do not immerse any part of the machine in water or other liquid.
- Do not attempt to disassemble, repair, modify, or replace any part of the machine.
- Do not use water that is microbially unsafe or of unknown quality.
- Do not store or use flammable vapors or liquids near the machine.
- Do not use any accessories not recommended by the manufacturer.
- Use the machine only for its intended purpose as described in this user manual.
- When handling, installing, and operating the machine, care should be taken to avoid damage to the refrigerant tubing.
- Avoid contacting moving parts. Do not attempt to defeat any safety interlock mechanisms.
- Servicing shall be performed by factory authorized service personnel and component parts shall be replaced with manufacturer authorized replacement components.

- Keep ventilation openings, in the appliance enclosure or in the built-in structure, clear of obstruction.
- Do not damage the refrigerant circuit.

WARNING: FIRE OR EXPLOSION HAZARD. Flammable Refrigerant

- This appliance contains isobutane refrigerant, also known as R600a, a natural gas with high environmental compatibility. However, it is also combustible. Adhere to the warnings below to reduce the risk of injury or property damage.
- When handling, installing, and operating the machine, care should be taken to avoid damage to the refrigerant tubing.
- Service shall only be performed by authorized personnel. Use only manufacturer-authorized service parts.
- Dispose of the machine in accordance with Federal and Local Regulations. The flammable refrigerant and insulation material

used in this product require special disposal procedures. Contact your local authorities for the environmentally safe disposal of the machine.

- Keep ventilation openings in the machine enclosures or in the built-in structure clear of obstruction.

CAUTION

To reduce the risk of injury when using your machine, follow these basic safety precautions.

- Do not remove any safety, warning, or product information labels from the machine.
 - **Lifting Hazard:** It is recommended to have two people move and set up the machine in order to prevent injury.
- NOTICE:** Some types of under-cabinet lamps can be hot enough to cause damage to your machine.

SAVE THESE INSTRUCTIONS

INFORMATIONS IMPORTANTES SUR LA SÉCURITÉ **LIRE TOUTES LES INSTRUCTIONS**

AVERTISSEMENT

Pour réduire les risques d'incendie, d'explosion, d'électrocution ou de blessure lors de l'utilisation de cette machine, il convient de respecter les mesures de sécurité de base suivantes.

- Ne modifiez ou ne retirez en aucun cas la troisième broche (terre du cordon d'alimentation. Pour la sécurité des personnes, la machine doit être correctement mise à la terre.
- Ne pas dépasser la puissance nominale des prises de courant. Il est recommandé de brancher la machine sur son propre circuit. Utilisez uniquement une alimentation électrique standard de 120 V, 60 Hz, correctement mise à la terre conformément au National Electric Code et aux codes et ordonnances locaux.
- En raison des risques potentiels

pour la sécurité dans certaines conditions, nous déconseillons fortement l'utilisation d'une rallonge électrique. Toutefois, si vous devez utiliser une rallonge, il est absolument nécessaire qu'il s'agisse d'une rallonge pour appareil à 3 fils avec mise à la terre, homologuée UL et dotée d'une fiche de mise à la terre, et que le calibre électrique de la rallonge soit de 15 ampères (au minimum) et de 120 volts.

- La machine doit être correctement installée et située conformément aux instructions de mise en place avant d'être utilisée. L'appareil est destiné à un usage domestique uniquement. Ne pas utiliser à l'extérieur.
- Cette machine n'est pas destinée à être utilisée par des personnes (y compris des enfants) dont les capacités physiques, sensorielles

- ou mentales sont réduites, ou qui manquent d'expérience et de connaissances, à moins qu'elles ne soient étroitement surveillées et instruites quant à l'utilisation de la machine par une personne responsable de leur sécurité.
- Une surveillance étroite est nécessaire lorsqu'un appareil est utilisé par des enfants ou à proximité de ceux-ci. Veillez à ce que les enfants ne jouent pas avec la machine, n'y grimpent pas, ne s'y tiennent pas et ne s'y accrochent pas. Ils pourraient se blesser gravement.
 - Ne laissez pas le cordon d'alimentation pendre d'une table ou du bord d'un comptoir, où les enfants pourraient le tirer ou trébucher dessus.
 - Placez le cordon d'alimentation de manière à ce qu'il ne soit pas en contact avec des surfaces chaudes.
 - N'utilisez pas cette machine si le cordon d'alimentation ou la fiche est endommagé(e), si la machine

- fonctionne mal, si elle est tombée ou si elle a été endommagée de quelque manière que ce soit. Contactez le service à la clientèle pour obtenir des informations sur l'examen, la réparation ou le réglage.
- Éteignez et débranchez l'appareil avant de le nettoyer à la main et lorsqu'il n'est pas utilisé.
 - Pour débrancher, saisissez la fiche et retirez-la de la prise. Ne jamais tirer sur le cordon d'alimentation.
 - Ne pas brancher ou débrancher l'appareil avec des mains mouillées.
 - N'immergez aucune partie de l'appareil dans l'eau ou tout autre liquide.
 - N'essayez pas de démonter, de réparer, de modifier ou de remplacer une partie quelconque de l'appareil.
 - Ne pas utiliser d'eau microbiodologiquement dangereuse ou de qualité inconnue.
 - Ne pas stocker ou utiliser de vapeurs ou de liquides inflammables à proximité de la machine.

- N'utilisez pas d'accessoires non recommandés par le fabricant.
- N'utilisez l'appareil que pour l'usage auquel il est destiné, tel qu'il est décrit dans le présent manuel d'utilisation.
- Lors de la manipulation, de l'installation et de l'utilisation de la machine, il convient de veiller à ne pas endommager la tuyauterie du réfrigérant.
- Évitez tout contact avec les pièces mobiles. N'essayez pas de neutraliser les mécanismes de verrouillage de sécurité.
- L'entretien doit être effectué par du personnel de service agréé par l'usine et les pièces doivent être remplacées par des pièces de rechange autorisées par le fabricant.
- Veillez à ce que les ouvertures de ventilation, dans l'enceinte de l'appareil ou dans la structure intégrée, ne soient pas obstruées.
- Ne pas endommager le circuit du réfrigérant.

⚠ AVERTISSEMENT: DANGER D'INCENDIE OU D'EXPLOSION

Réfrigérant inflammable

- Votre machine contient du réfrigérant isobutane, également connu sous le nom de R600a, un gaz naturel très respectueux de l'environnement. Cependant, il est également combustible. Respectez les avertissements ci-dessous afin de réduire les risques de blessures ou de dommages matériels.
- Lors de la manipulation, de l'installation et de l'utilisation de la machine, il convient de veiller à ne pas endommager la tuyauterie du réfrigérant.
 - L'entretien ne doit être effectué que par du personnel autorisé. N'utilisez que des pièces de rechange autorisées par le fabricant.
 - Mettez la machine au rebut conformément aux réglementations fédérales et locales. Le réfrigérant inflammable et le matériau d'isolation utilisés dans ce produit nécessitent

des procédures d'élimination spéciales. Contactez les autorités locales pour une mise au rebut de la machine dans le respect de l'environnement.

- Veillez à ce que les ouvertures de ventilation, dans l'enceinte de l'appareil ou dans la structure intégrée, ne soient pas obstruées.
- Pour enlever le givre, grattez avec une spatule ou un grattoir en plastique ou en bois. N'utilisez pas de pic à glace ou d'instrument métallique ou à arêtes vives, car ils pourraient percer le revêtement de la machine à glaçons, puis le tuyau de réfrigérant inflammable qui se trouve à l'arrière.

- N'utilisez pas d'appareils électriques à l'intérieur du compartiment de stockage des aliments de l'appareil.

▲ MISE EN GARDE

Pour réduire les risques de blessures lors de l'utilisation de votre machine, respectez les précautions de base suivantes.

- Ne retirez pas les étiquettes de sécurité, d'avertissement ou d'information sur le produit de la machine.
- Risque de lavage : il est recommandé d'être à deux pour déplacer et installer la machine afin d'éviter les blessures.

AVIS : Certains types de lampes chauds peuvent être suffisamment chauds pour endommager votre Cumulus Machine. Ne placez pas l'appareil sur des surfaces chaudes.

▲ CONSERVEZ CES INSTRUCTIONS

Specifications



Weight: 29 lbs (without water)

Width: 6 inches

Height: 16 inches
(20 inches with extended capsule holder)

Depth: 19.27 inches

Energy compatibility: 120 volt
(North American Standard)

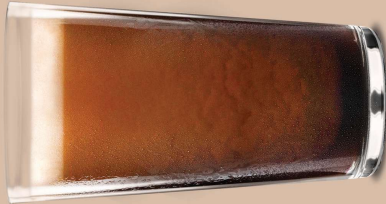
Ideal operating environment: 50-90 F

Pour size

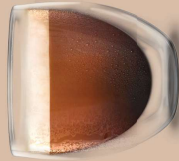
The Cumulus Machine produces three unique brews:



Cold brew
10 fl oz



Nitro cold brew
10 fl oz



Cold espresso
2 fl oz

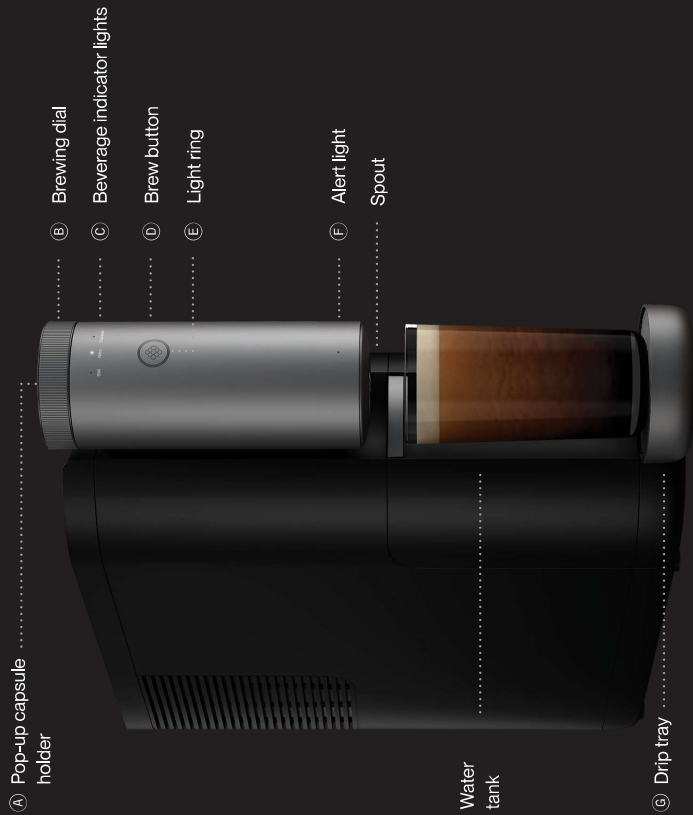
Capsules

From cultivation to roast, our exclusive coffee is crafted to elevate your cold coffee experience. Available in a variety of roasts and flavor profiles to suit your taste and preferences, it's cold-packed in fully recyclable capsules that pair perfectly with the Cumulus Machine.



Understanding the features

Get to know the Cumulus Machine.



A Pop-up capsule holder

B Brewing dial

C Beverage indicator lights

D Brew button

E Light ring

F Alert light

Spout

Water tank

G Drip tray

A Pop-up capsule holder
Press the Cumulus logo on the capsule holder to release. Push the capsule holder down to lock it back into place.



B Brewing dial
Rotate this dial until the desired beverage indicator light is illuminated.

C Beverage indicator lights

- Still - Cold brew
- Nitro - Nitro cold brew
- Espresso - Cold espresso

D Brew button

Press the button to start brewing.

E Light ring

When pulsing blue the machine is cooling water. When off the machine has cooled water and is ready for a capsule.

When pulsing white a capsule is loaded and the machine is ready to brew.

F Alert light

When white the machine needs water. When pulsing blue the machine is pumping water into the cooling chamber. When orange the machine needs maintenance.

G Drip tray

Empty the drip tray every 2-3 brews, or when the red water level indicator rises slightly above the grate.



H Sleep button

Press the sleep button located on the back of the machine to completely power down the machine. Note the machine cannot be powered down during brewing or maintenance cycles. Press either the sleep button or the brew button to restore power.



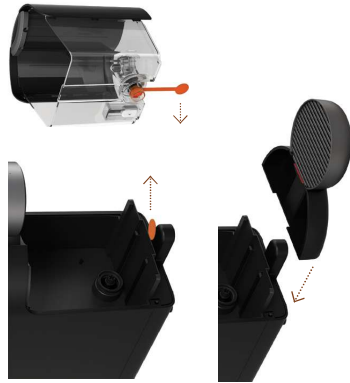
Set up your Cumulus machine

What you'll need:

- **For setup:** 10 oz drinking glass
- **For cleaning:** Large container (~32 oz)

1. Position & Unpack

1. Place your Cumulus machine on your countertop, at least 3 inches from the wall.
2. Plug it in.
3. Open the capsule holder—there's a cleaning capsule inside. Leave it in place.

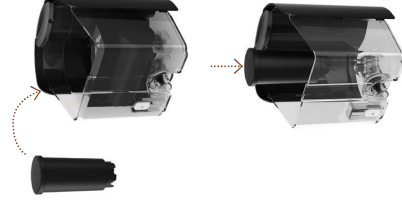


4. Remove all packaging materials:
 - Red plugs and stickers from the water tank and machine bottom
 - Tape from the drip tray
5. Insert the drip tray into the bottom of the machine.

2. Prepare The Cooling Chamber

(If using a plumb-in kit, proceed to page 30)

1. Remove the included filter from its packaging and place it in the bottom of the water tank.
2. Fill the tank with enough water to cover the filter. Let it soak for 5 minutes.
3. Remove the filter, empty the tank, then press the filter onto the pedestal in the tank.



4. Fill the tank to the fill line with fresh water and return it to the machine.
5. The alert light will pulse blue as water moves into the cooling chamber.
6. When the brew button pulses blue, the water is cooling. This takes ~15 minutes.
7. The brew button turns white when cooling is complete.



C. Prime Your Machine (First Use)

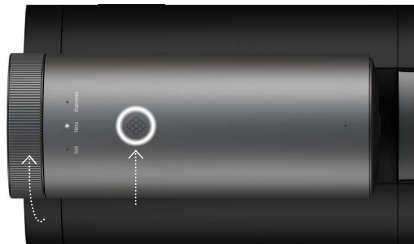
1. Place a 10 oz glass on the drip tray.



2. Close the capsule holder with the cleaning capsule inside.



3. Turn the brewing dial to Nitro, tap the brew button.



4. Wait for the whirring sound to finish before opening the capsule holder.

5. Empty the glass and repeat steps 2-4 two more times (total 3 rinses).

6. Remove and store the cleaning capsule for future use.



7. Refill the water tank and allow it to cool again (~15 minutes).



Your Cumulus machine is now ready to brew coffee!

D. Brew Your First Coffee

1. Insert a Cumulus coffee capsule.



2. Place a glass on the tray.



3. Close the capsule holder, select your brew (Still, Nitro, or Espresso).



4. Tap the brew button.



5. Discard the used capsule in recycling once the cycle is done.



Maintenance & Cleaning

Recommended: Every 150 brews or when the alert light turns orange, or if you notice a difference in volume or quality of the pour.

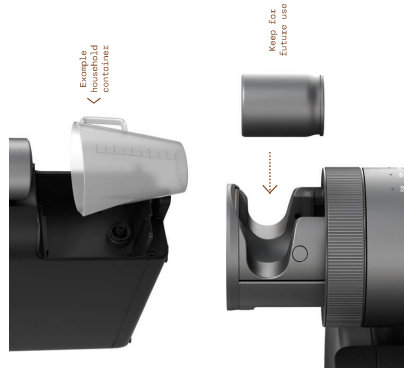
What you'll need:

- Cumulus cleaning solution
- Cleaning capsule
- New filter
- Large container (32 oz capacity)



A. Empty The Machine

1. Empty the water tank & remove the filter.
2. Empty the drip tray.
3. Place your container under the spout.



4. Insert the cleaning capsule (open end down) and close the holder.

5. Turn dial to Nitro and hold brew button 10 seconds (all 3 indicator lights turn white).
6. Machine dispenses water up to 4 times.
7. When done, brew button light will flash white.
8. Empty container.



B. Run Cleaning Solution

1. Pour 4 oz (half of the bottle) of cleaning solution into the water tank, fill to line with water.
2. Return tank into the machine and place container under spout.
3. Ensure selector dial is on Nitro setting.
4. Tap brew button. Water and cleaning solution will intake and dispense from machine (up to 4 times).
5. Lights turn off and light ring pulses white when done.
6. Empty container.

C. Rinse The Machine

1. Refill tank with clean water and return to machine.
2. Place container under spout, press brew button.
3. When chamber is full, lights turn white, and rinse water dispenses (up to 4 times).
4. Lights turn off and light ring pulses white when done.
5. Repeat rinse two more times (total of 1 cycle with cleaning solution and 3 rinse cycles)
6. Press and hold brew button 10 seconds to exit cleaning mode. Alternately, the machine will exit cleaning mode after 10 minutes without use.



D. Finish up

1. Remove & store cleaning capsule.
2. Hand wash drip tray & water tank, then replace.
3. Install new filter, fill tank to line, and reinsert (Refer to section 2 for filter priming instructions)
4. Wipe machine surfaces with a clean, damp cloth.



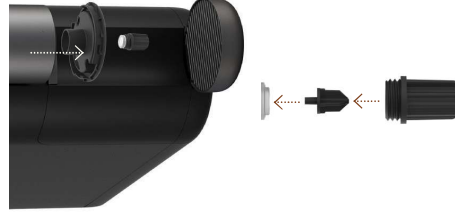
Important Note for spout cleaning if volume or foam is reduced

- If you notice reduced beverage volume or less foam, first run a full cleaning cycle (see page 26).
- If performance does not improve, clean the spout assembly as outlined below.

1. Remove Spout Assembly:

- Remove the water tank from the machine.
- Using two fingers, pull the spout cover straight down to remove it.
- Unscrew the spout nozzle from the spout area.

Note: The spout assembly consists of three separate parts. Remove carefully to avoid dropping or misplacing components.



2. Clean Components:

- Separate all three spout parts.
- Rinse each part under running water.
- Ensure the metal disk is completely free of coffee residue or buildup.
- Do not use abrasive cleaners or tools.

3. Reassemble the Spout:

- Reassemble the spout components
- Screw the fully assembled spout back into place.
- Push the spout cover back on, making sure the finger grip is facing toward you.
- Reinstall the water tank.
- The machine is now ready for use.

Using Plumbed Mode

Plumbed mode allows your Cumulus machine to connect directly to a water line instead of using the reservoir. **Plumb kit is sold separately. Professional installation is recommended.**

If your machine did not come with a plumb-in kit, you can purchase the Cumulus Plumb-in kit by contacting support@cumuluscoffee.com.

A. Switch to Plumbed Mode

1. Plug in the machine.
 - Status light should be a steady white.
2. Remove the plug in the back housing of the machine.
3. Connect the plumb-in kit valve and attach it to your water source with a filter.
 - The plumb-in kit must be attached to the machine first. Then attached to an external water source. Connecting an external source to the machine without the plumb-in kit may damage the machine.
4. Press and hold the Away button on the back of the machine for 10 seconds to switch modes until purple indicator light stops flashing and becomes a steady light.
 - Status light will flash purple when switching modes.
 - Status light will stay solid purple when in plumbed mode.



B. Cleaning Plumbed Mode

1. Remove plumb-in accessory from the back housing of machine.
2. Follow cleaning steps in the Maintenance & Cleaning section (pg. 28)
3. When cleaning cycle is finished, plug the plumb-in accessory kit back into rear housing of machine
4. Make sure front water tank is empty and dry
5. Machine is ready to use in plumbed mode again.



Important Notes for Plumbed Mode

- If plumbed mode is active but no plumbing kit is installed, the machine will not operate.
- Plumb-in kit should always be connected to an external water source when operating in plumbed mode.
- If in plumbed mode and water is not reaching the upper reservoir within ~40 seconds, the status light will turn solid white and the machine will stop.
- While filling the internal reservoir, status light pulses blue.
- Once full, the light returns to solid purple.
- During cooling, the brew light pulses blue until the correct temperature is reached.
- When using an external water source, always use filtered water
- Inlet water pressure should be between 0.05–0.5MPa
- Inlet water temperature and room temperature should be 4C–40C
- When the machine is plumbed in and not in use (either in standby mode, or you are expecting multiple weeks without use), turn off the external water source.

Troubleshooting

To troubleshoot issues with your machine, start here. For more assistance, contact the Cumulus support team at support@cumuluscoffee.com.

Alert



The selected beverage indicator light blinks twice

Cause

You pressed the brew button while the machine was cooling water.

You pressed the brew button before removing a used capsule.

You pressed the brew button and the capsule holder is empty.

You pressed the brew button and the machine needs water (the alert light is white)

You pressed the brew button and the machine is pumping water into the cooling chamber (the alert light is pulsing blue)

Solution

You cannot brew coffee when the light ring is pulsing blue. The light ring turns off when cooling is complete and the machine is ready for a capsule.

You cannot brew coffee—or do anything else—when there is a used capsule in the capsule holder. Load a fresh capsule.

Load a fresh capsule.

Refill the water tank.

Wait until the pumping and cooling process is complete.

Alert



The light ring pulses green

Cause

The capsule holder is stuck in the closed position.

Solution

Unplug and re-plug in the machine. If the capsule holder does not unlock, contact the Cumulus support team.



All three beverage indicator lights and brew button light pulsing on and off

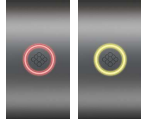
If there was a power outage during brewing, cleaning, or purging process, these lights flash.



The light ring pulses orange

The machine has not been able to reach the required brewing temperature within 45 minutes.

Make sure there are 3 inches of clearance on all sides of the machine and the vents on the side of the machine are unobstructed. Ensure the operating room temperature is between 55 and 90 degrees Fahrenheit. If the error continues, contact the Cumulus support team.



The light ring pulses red OR yellow

Contact the Cumulus support team.

