

# VEVOR

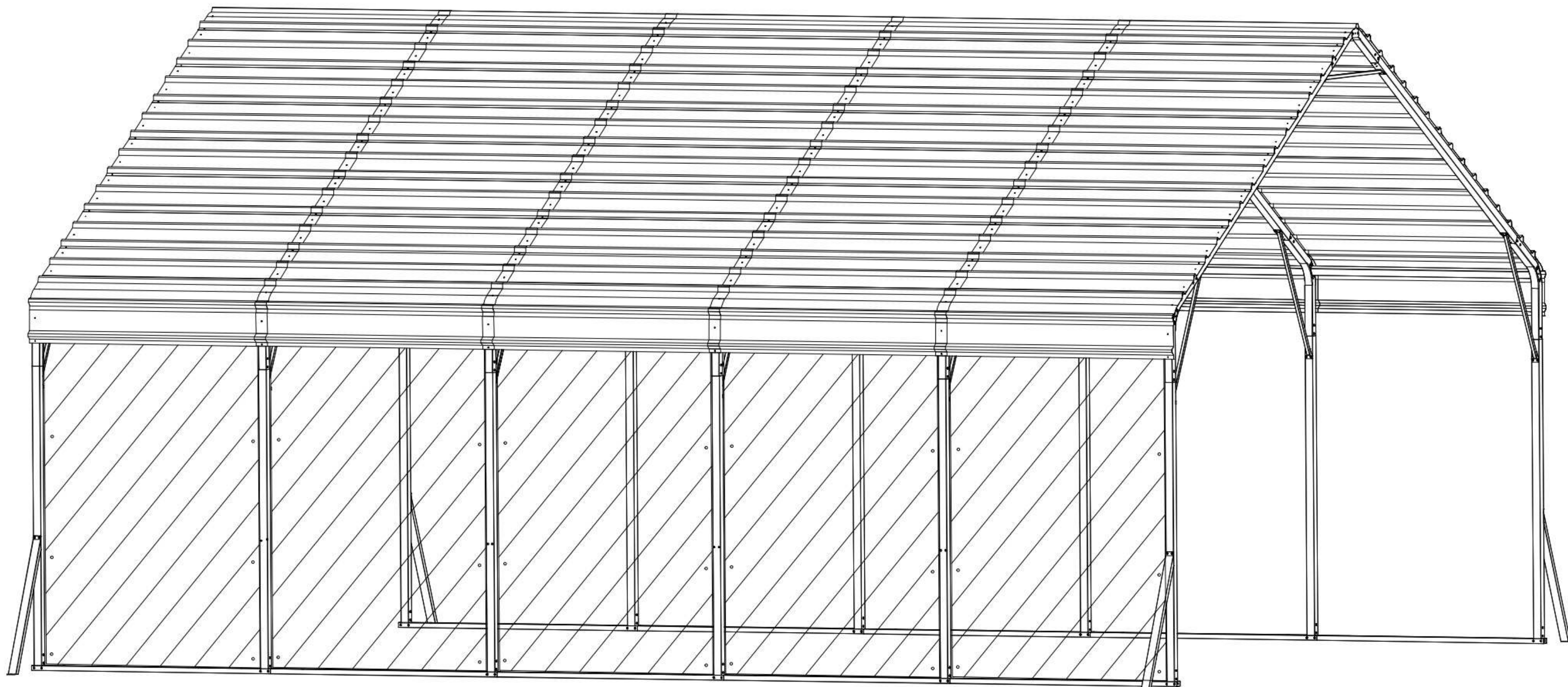
**Affordable. Reliable. Home Improvement.**

Heavy Duty carports  
Model: KD-TPQC-007-20x24ft

**Technical Support and E-Warranty Certificate**  
**[www.vevor.com/support](http://www.vevor.com/support)**

# CARPORT INSTALLATION INSTRUCTION

Model: KD-TPQC-007-20x24ft



This is the original instruction, please read all manual instructions carefully before operating. VEVOR reserves a clear interpretation of our user manual. The appearance of the product shall be subject to the product you received. Please forgive us that we won't inform you again if there are any technology or software updates on our product.

***IMPORTANT! PLEASE READ THIS INSTRUCTION  
CAREFULLY BEFORE INSTALLATION.***

1. Have at least two adults during installation. Read all instructions carefully and follow it accordingly. Failure to do so may result to injury or damage to the carport.
2. Never set-up the product in rainy, windy or stormy conditions, especially lightning storms.
3. Keep your carport off of the steep slopes and inclination.
4. After installation, the carport should be anchored to prevent damage and possible injury. It is the user's responsibility to properly anchor the product.
5. Always inspect the carport and each part before use. Make sure that everything is tightly secured. Replace any worn, defective missing parts.
6. For a better installation and use experience, it is recommended to bring your own ladder, scissors, electric drill and glass glue.

## SAFETY INSTRUCTIONS

### WARNING:

Read this material before using this product. Failure to do so can result in serious injury.

### Assembly precautions

1. Assemble only according to these instructions. Improper assembly can create hazards.
2. Wear ANSI-approved safety goggles and heavy-duty work gloves during assembly.
3. Keep the assembly area clean and well-lit.
4. Keep bystanders out of the area during assembly.
5. Do not assemble if tired or when under the influence of alcohol, drugs or medication.
6. The product capabilities apply to properly and completely assembled products only.
7. Assemble on a flat, level, hard and smooth surface capable of safely supporting the Wooden Hall Tree.
8. For additional information regarding the parts listed in the following pages, please refer to the Assembly Diagram of this manual. Unwrap and separate all parts in a clean work area.

### Use precautions

1. DO NOT SIT OR STAND ON THIS ITEM.
2. This product is not a toy. Do not allow children to play with or near this item.
3. Do not exceed specified weight capacities.
4. Use only on a flat, level, hard, and smooth surface that can safely support a fully loaded Wooden Hall Tree.
5. Use as intended only.
6. Inspect before every use; do not use if parts are loose or damaged.

SAVE THIS MANUAL

## IMPORTANT! PLEASE READ THIS INSTRUCTION CAREFULLY BEFORE INSTALLATION.

1. Installation requires at least two adults. Read all instructions carefully and follow it accordingly. Failure to do so may result in injury or damage to the carport.

2. Never set up the product in rainy, windy or stormy conditions, especially lightning storms.

3. Keep your carport off of the steep slopes and inclination.

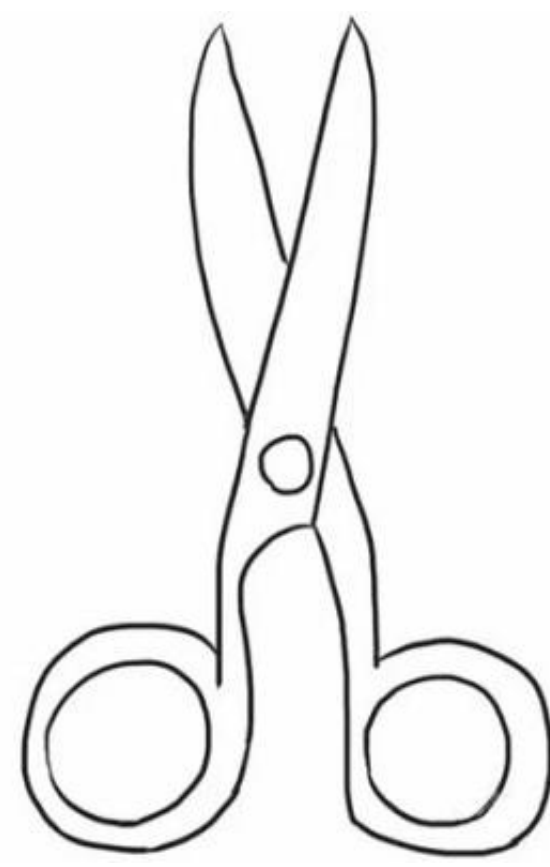
4. After installation, the carport should be anchored to prevent damage and possible injury. It is the user's responsibility to properly anchor the product.

5. Always inspect the carport and each part before use. Make sure that everything is tightly secured. Replace any worn, defective missing parts.

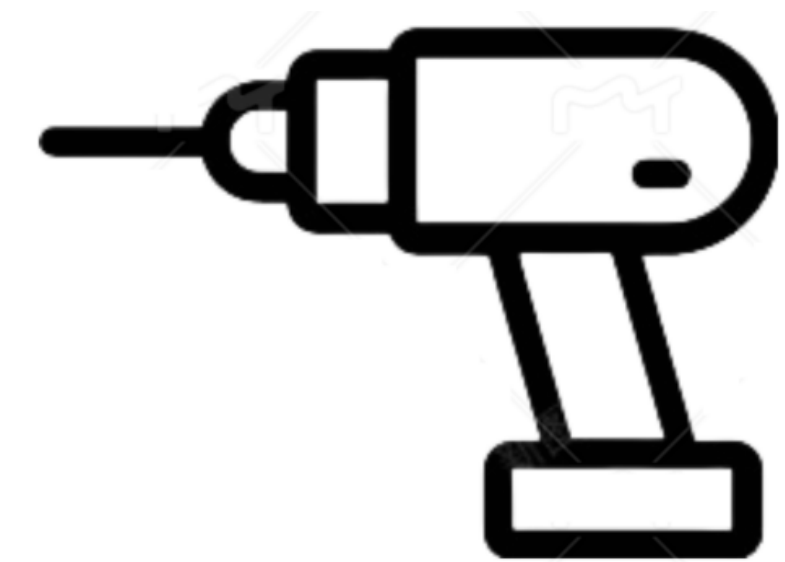
6. For a better installation and use experience, it is recommended to bring your own ladder, scissors, electric drill and glass glue.



Ladder



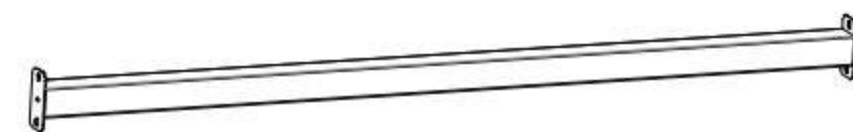




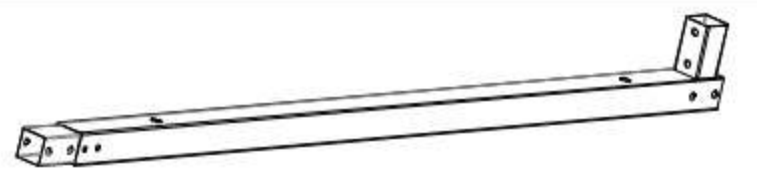
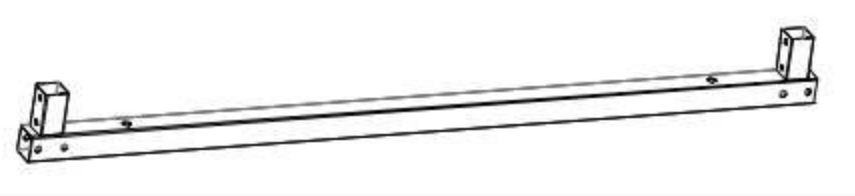
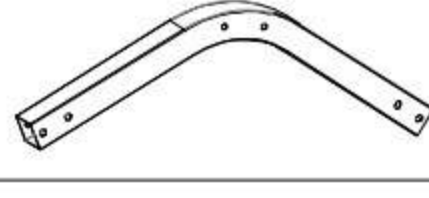
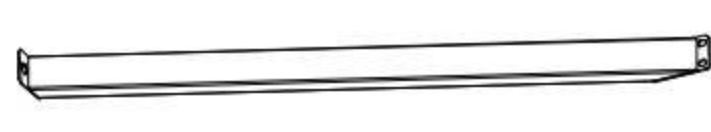

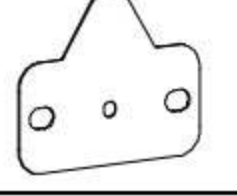
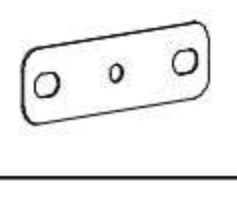

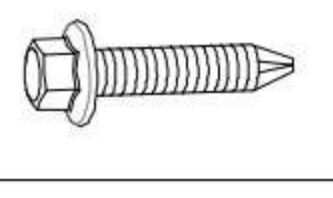
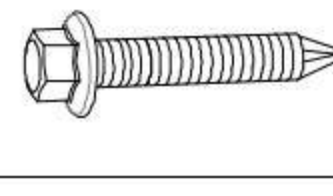
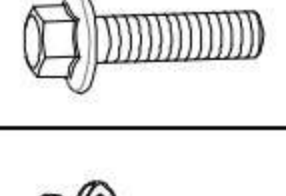
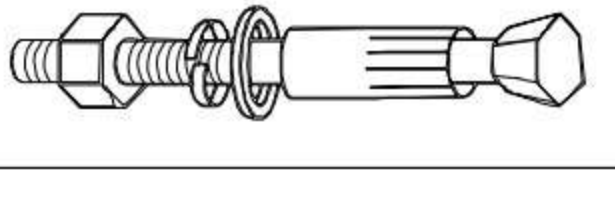
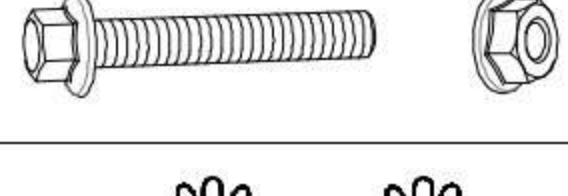
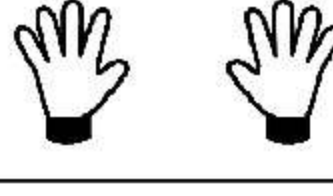
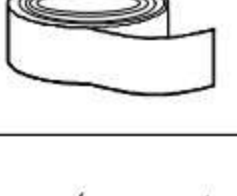
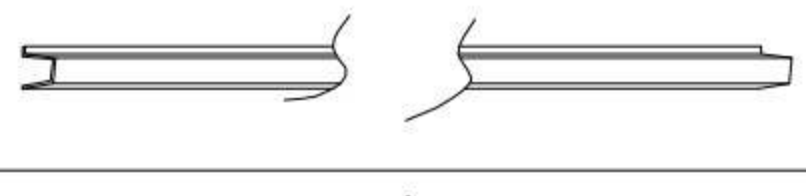

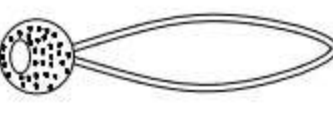
Scissors






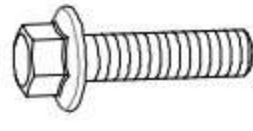
Electric drill

# PACKAGE CONTENTS

This carport is packed in 5 boxes. Before the installation, please check all the parts according to the part list. If there is any part missing or defective, please contact us immediately to get replacement parts.

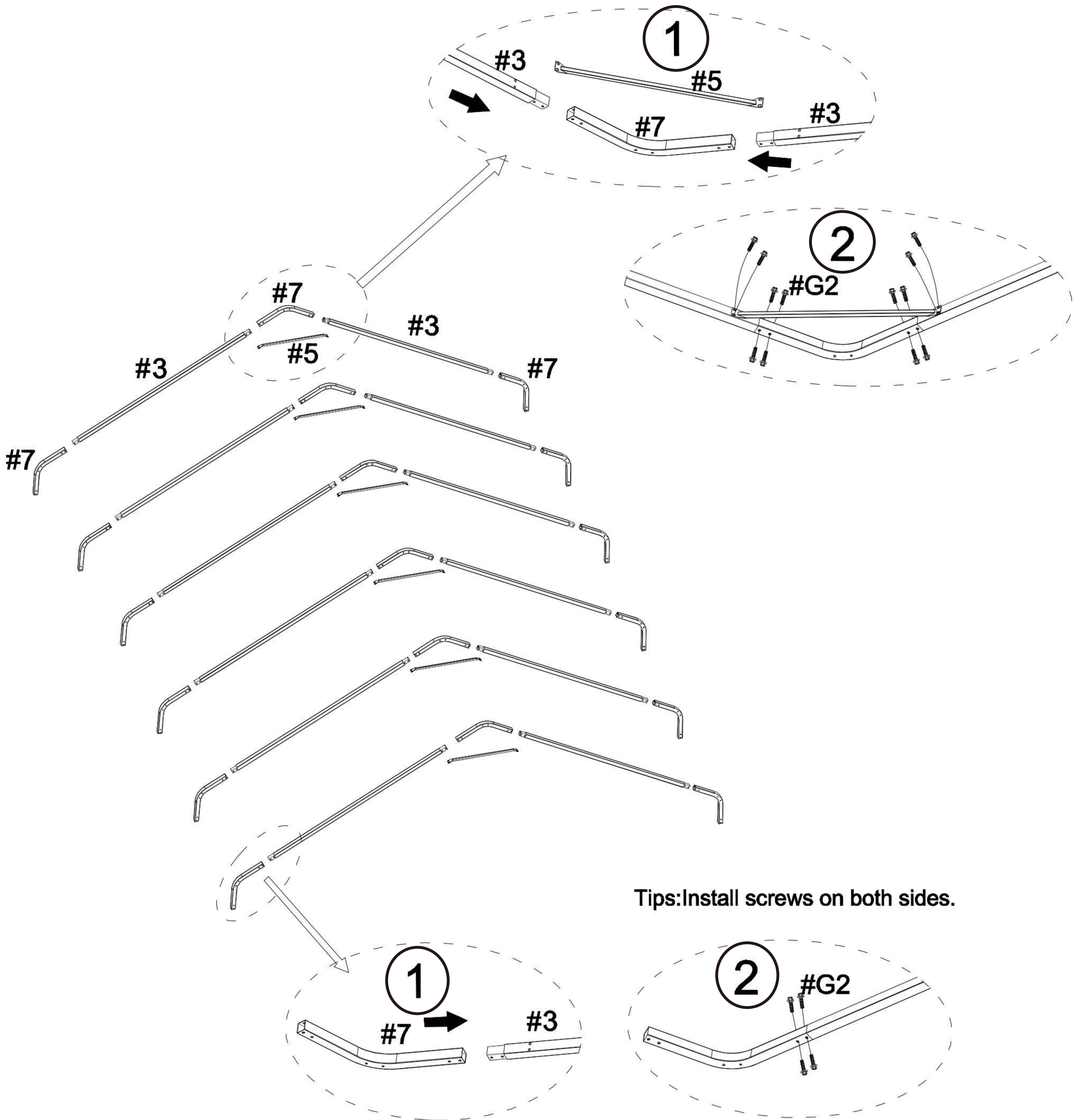
<b>Part No.</b>	<b>Part Name</b>	<b>Drawing</b>	<b>Qty</b>
#1	Side pole 1		10PCS
#2	Side pole 2		5 PCS
#3	Straight peak pole		12 PCS
#4	Leg pole		12 PCS
#5	Top Reinforcing pole		18 PCS
#6	Ground bar 1		8 PCS
#6a	Ground bar 2		2 PCS
#7	Connector		18 PCS
#8	Ground Reinforcing pole		4 PCS
#9	Side-side defense pole		10 PCS
#10	Side plate 1		3 PCS
#11	Side plate 2		4 PCS
#R	Roof cover		85 PCS
#G1	M5X20 Self-Tapping screws		322PCS
#G1a	M5X25 Self-Tapping screws		24 PCS
#G2	Socket head bolt		314 PCS
#G3	Expansion screws		26 PCS
#G4	Socket head bolt & Nut		38 PCS
#L	Gloves		2 pairs
#Y1	Waterproof tape		8 PCS
#Y2	Anti-cut tape		20 M
#Y3	Enclosure		5 PCS
#Y4	Beads of rope		60PCS

# STEP 1: Assemble the Top Frame




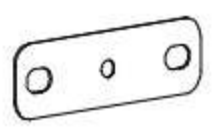

#3		X12
#5		X6
#7		X18
#G2		X120

**Notice:**

The linking screws in this step are all: Socket Head Bolt (#G2)

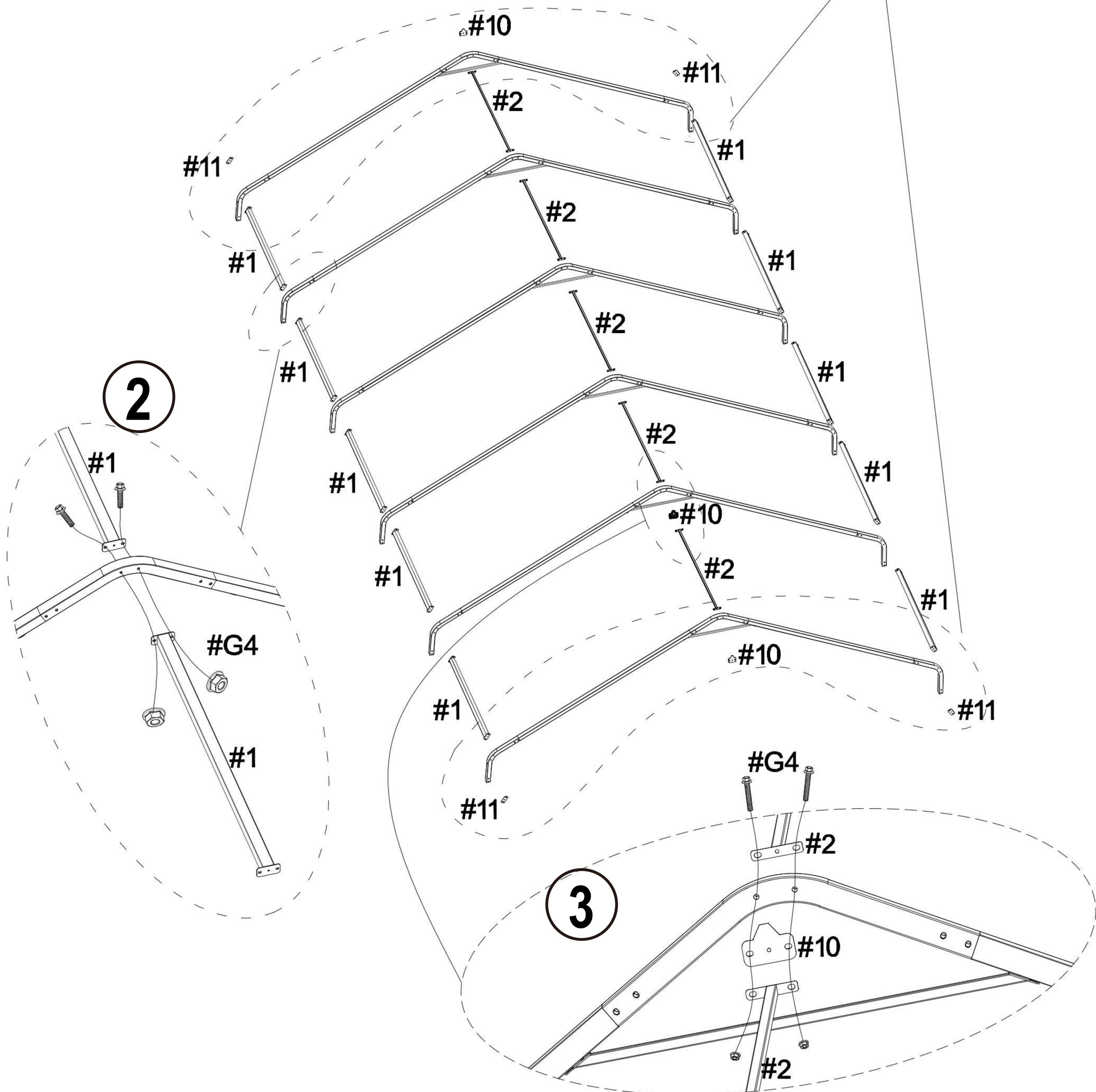
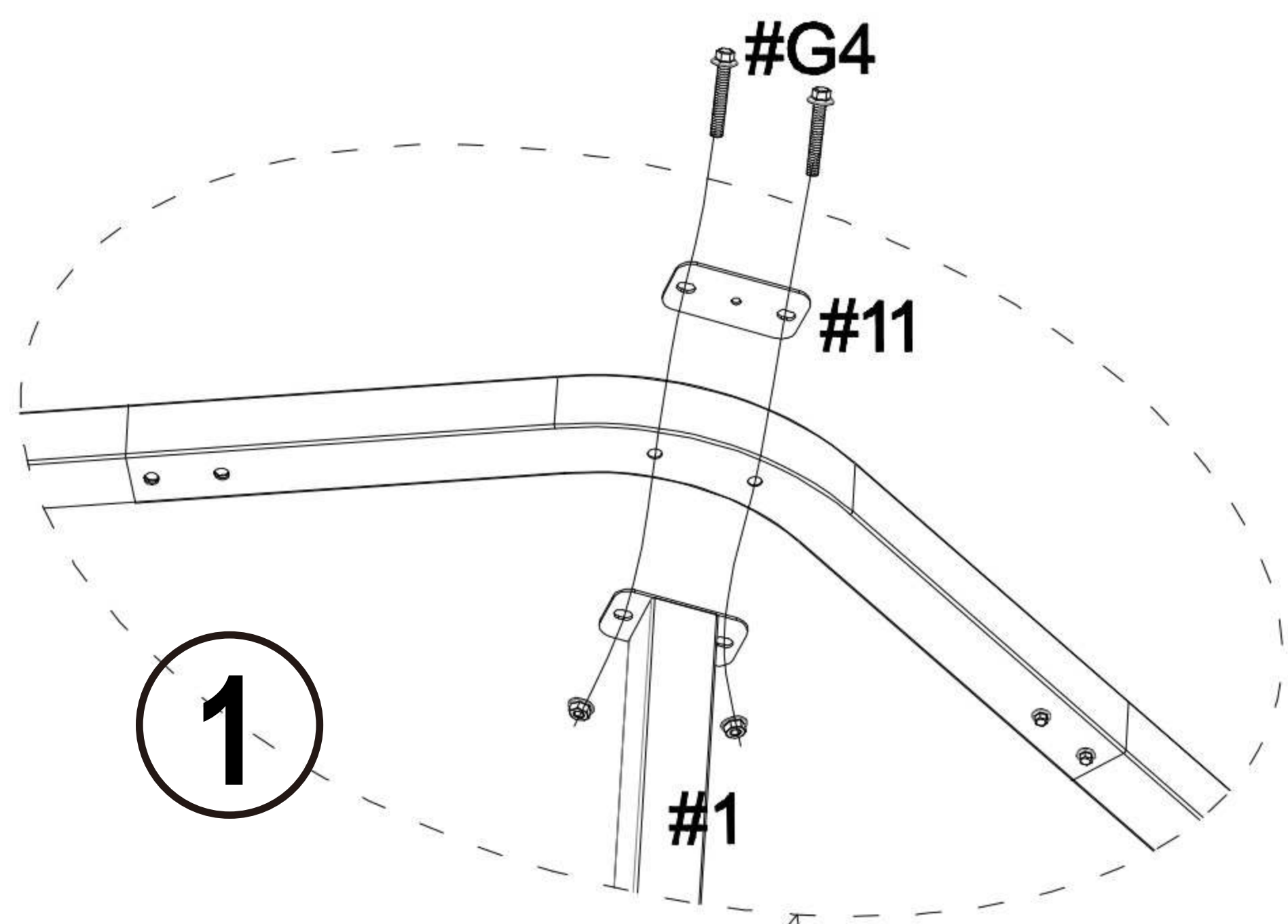


# STEP 2:

#1		X10
#2		X5
#10		X3
#11		X4
#G4		X36

**Notice:**

The linking screws in this step are all: Socket Head Bolt (#G4)



## STEP 3: Install the Top Roof

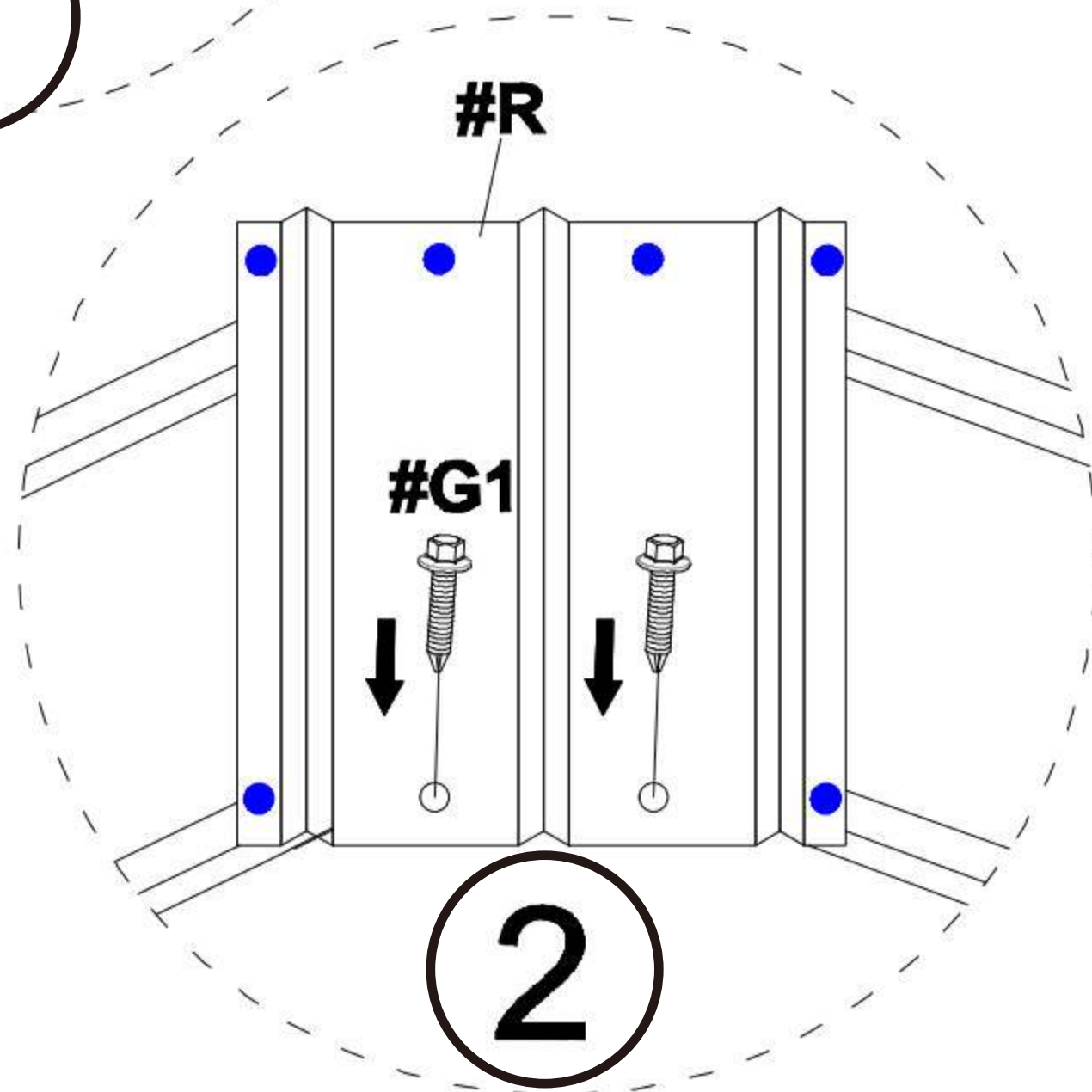
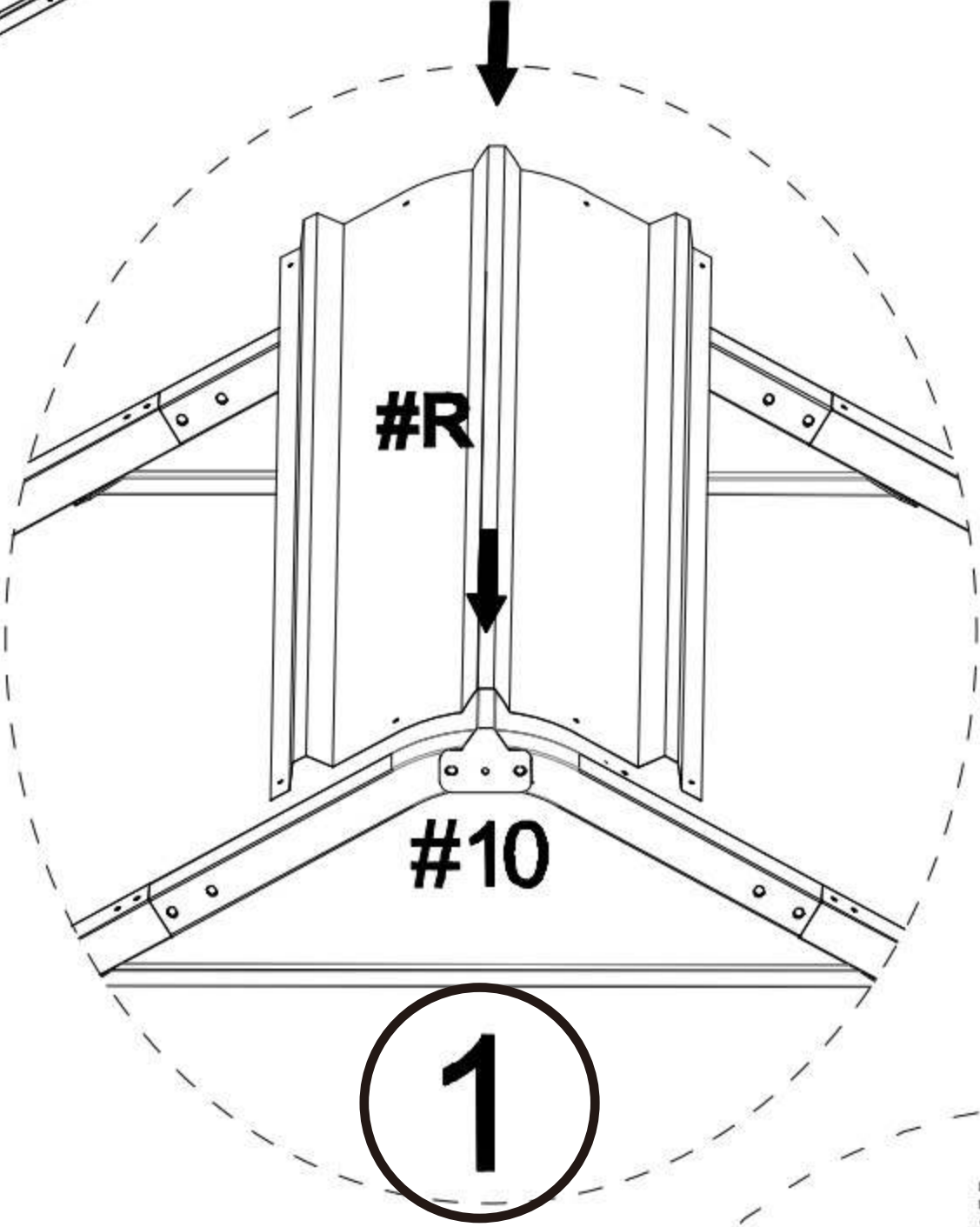
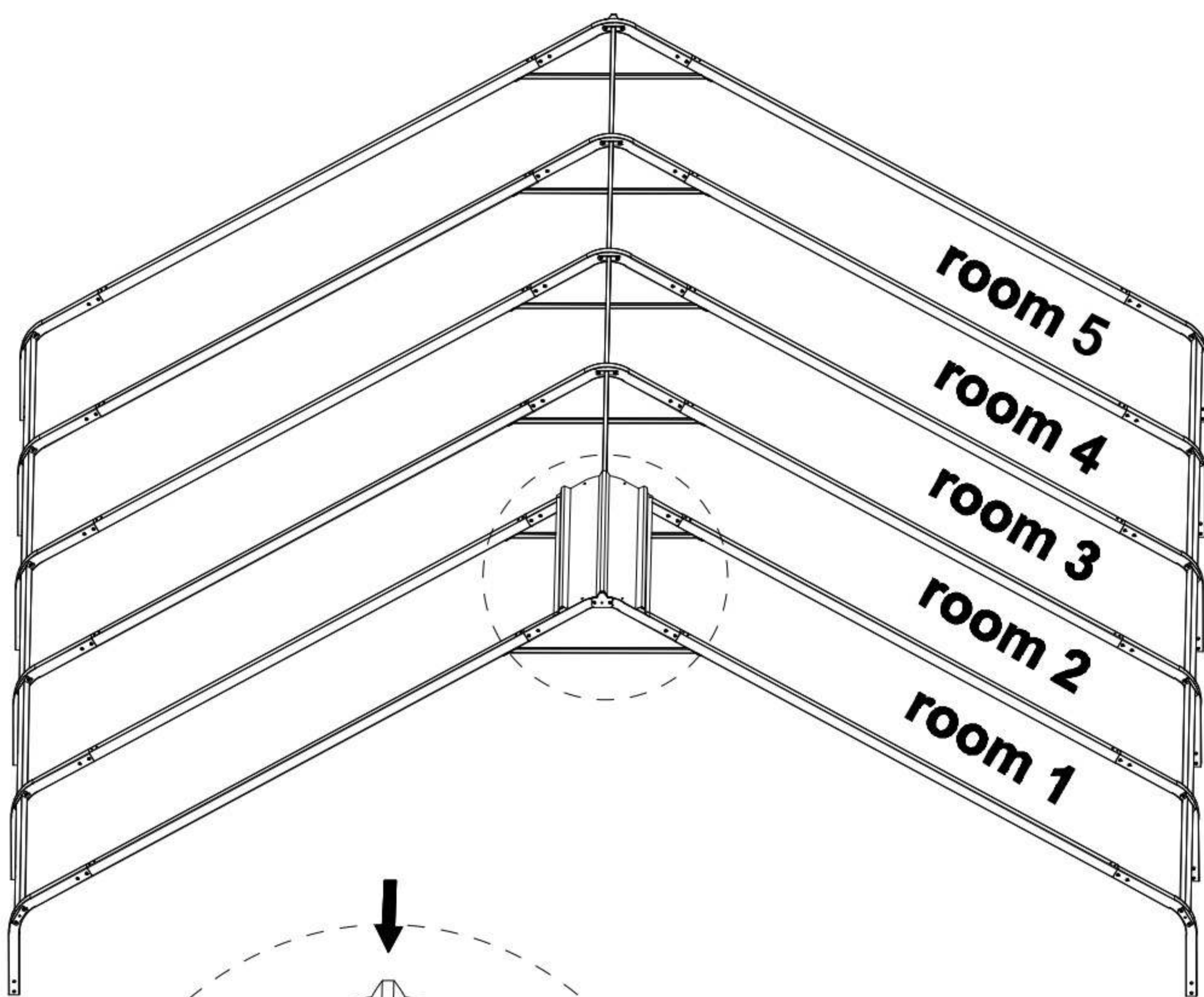
Install all the Roof Cover (#R) to the top frame. The linking screws in this step are all: Self-Tapping Screws (#G1), as shown in the picture.

Notice:


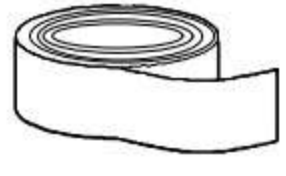
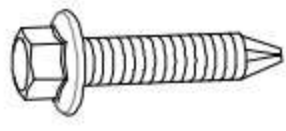
1. The meaning of different colored holes in the Roof Cover (#R);

- Blue hole: no screws here right now.
- Black hole: nonal installation

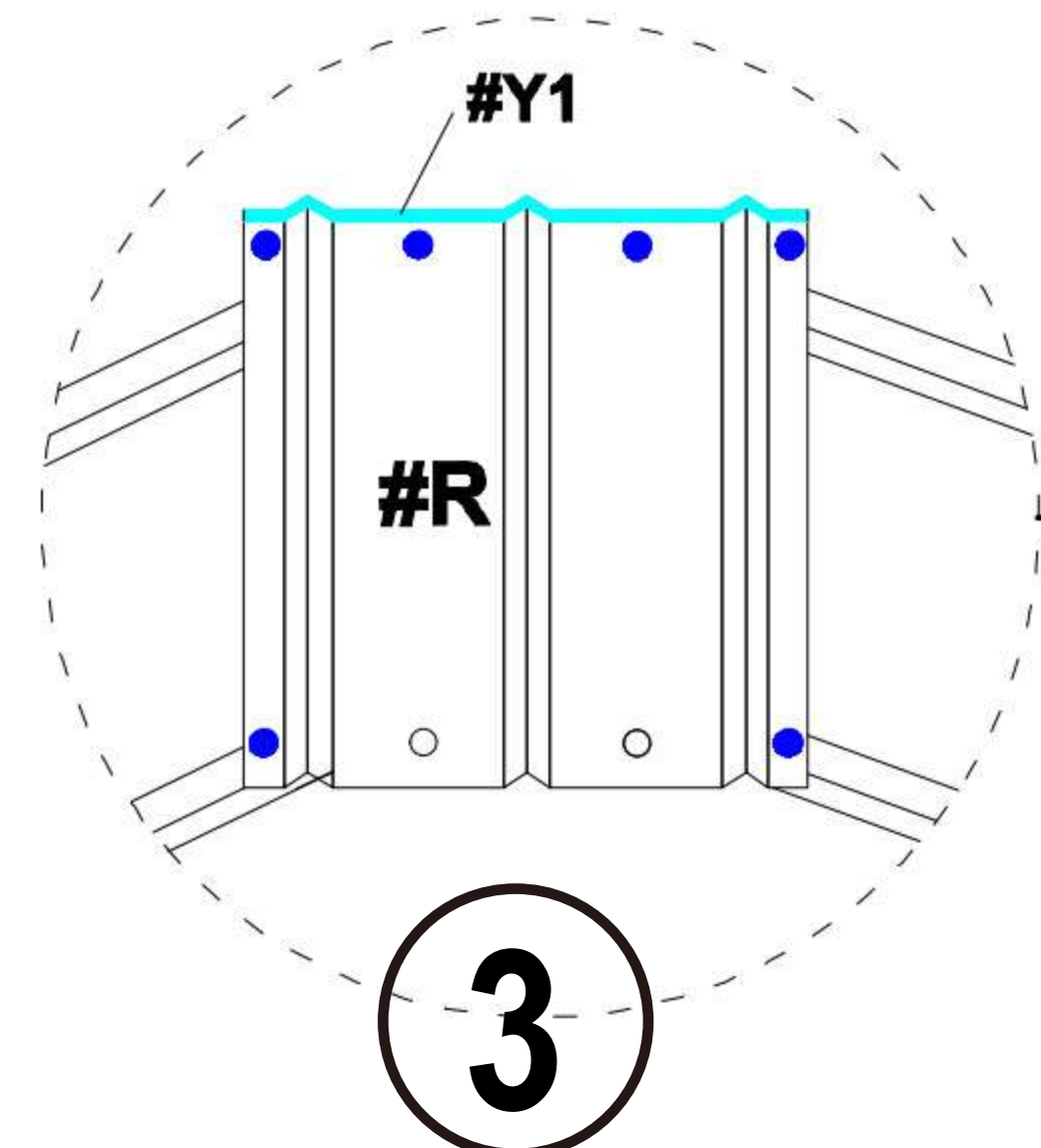
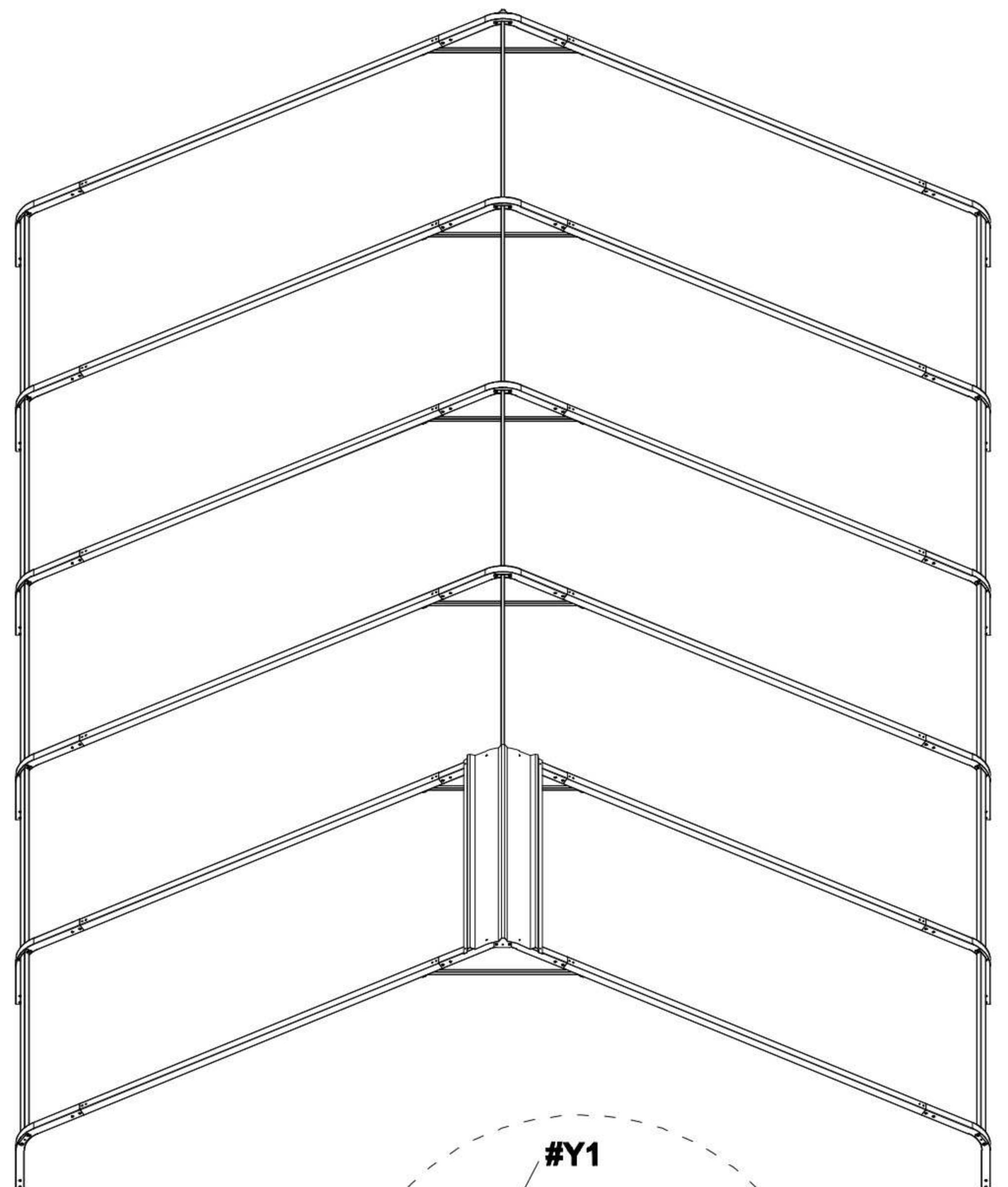
1) Starting from the top middle of room 1 to room 5, install the first row of Roof Covers (#R).



When installing the first piece of roof covering, place the middle slot of the tile at the gasket #10 bump for easy reinforcement with screws

#R		X1
#Y1		X8
#G1		X2

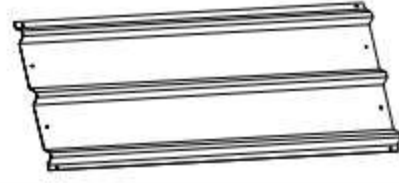

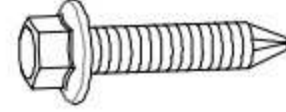
2) When installing each Roof Cover (#R), you need to use Waterproof Tape (#Y1) as shown in the picture.



# STEP 4:

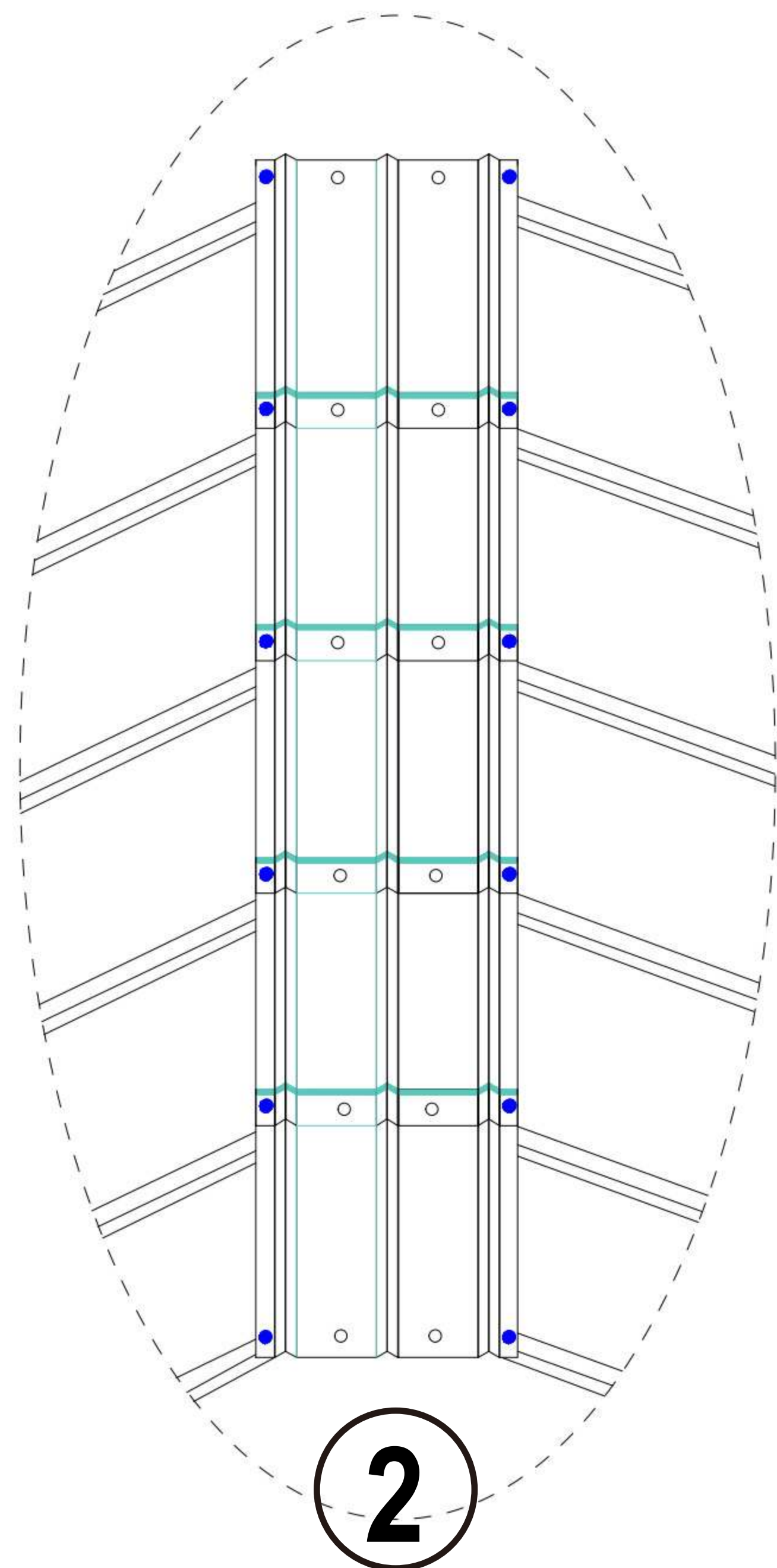
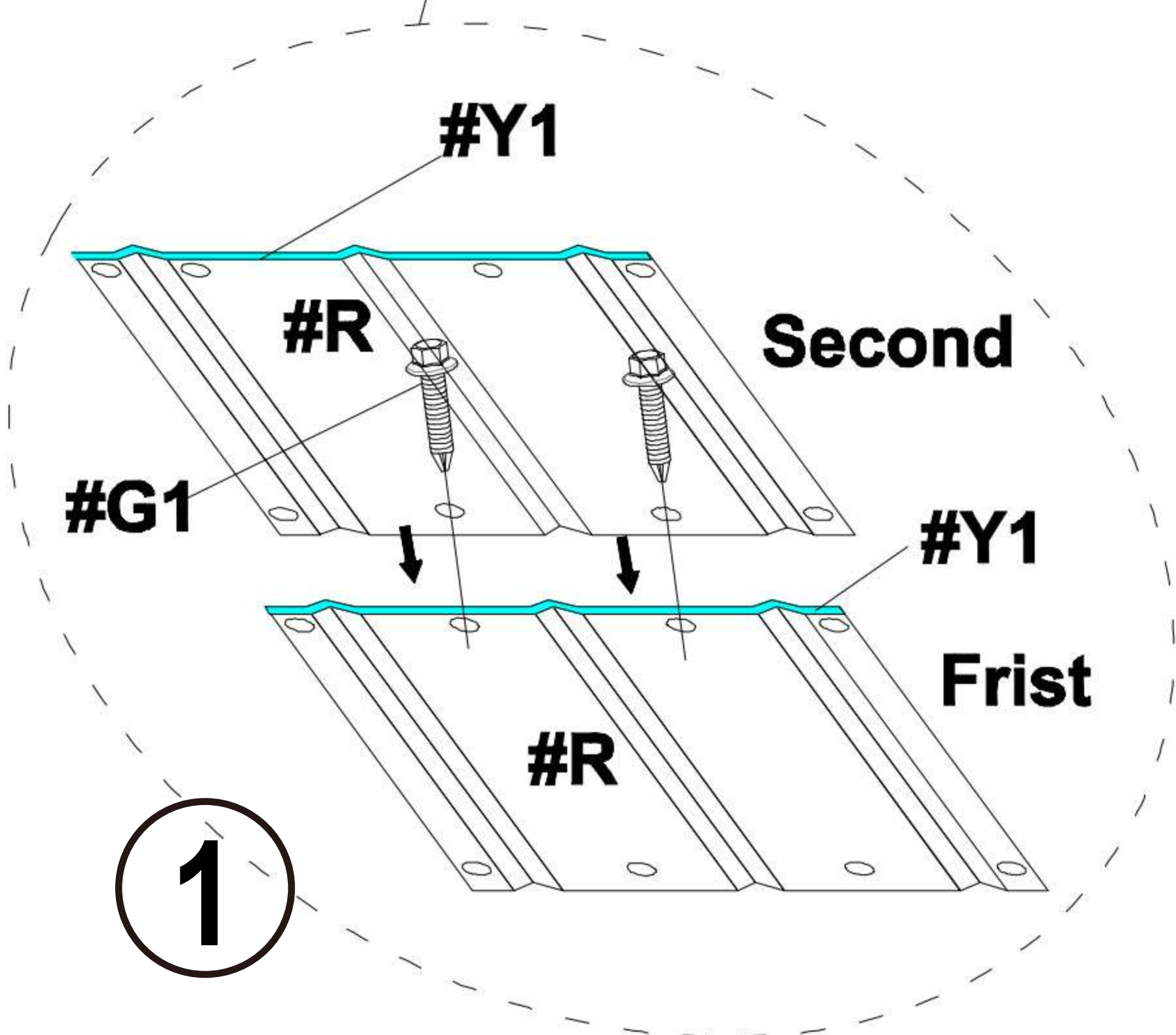
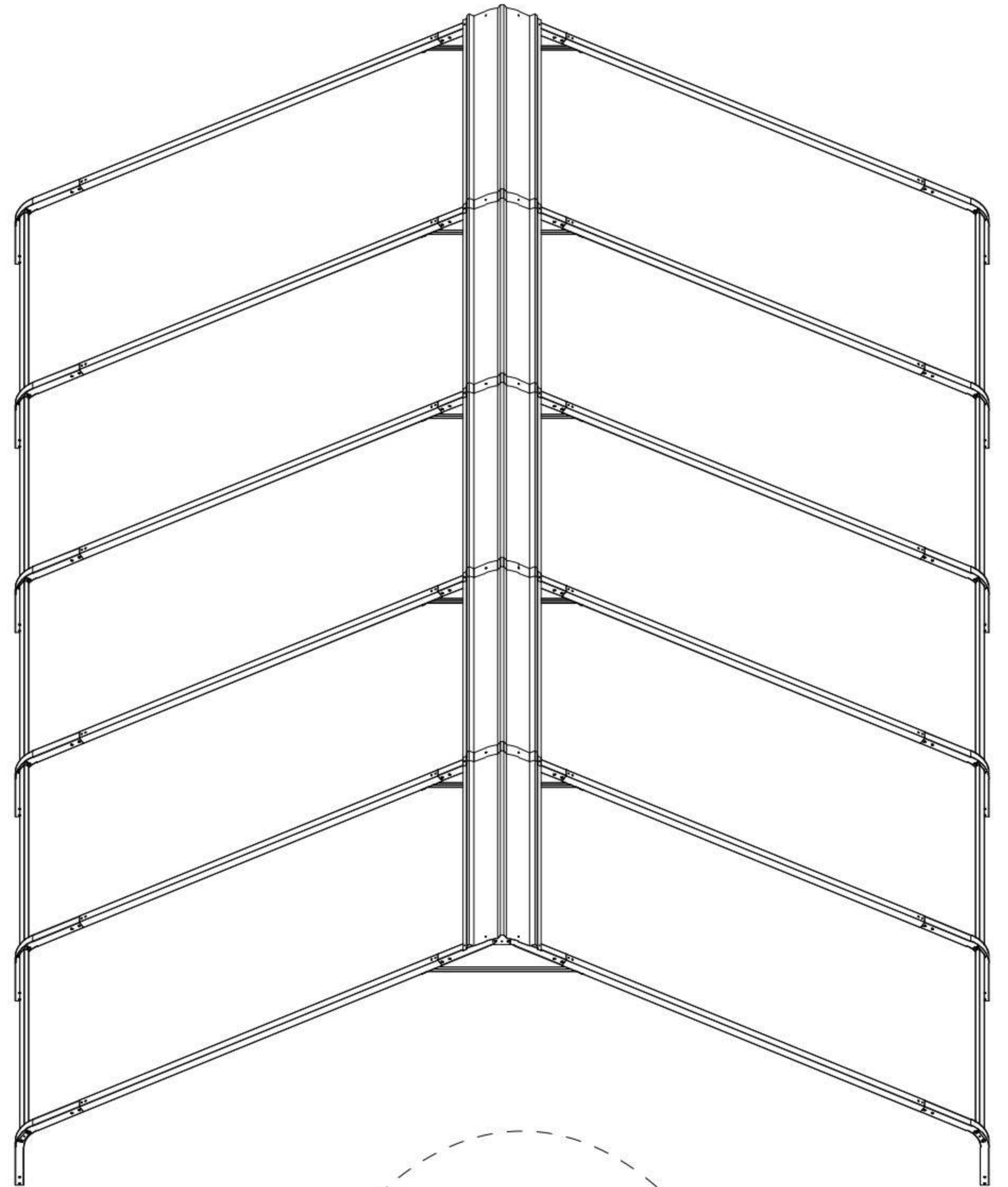
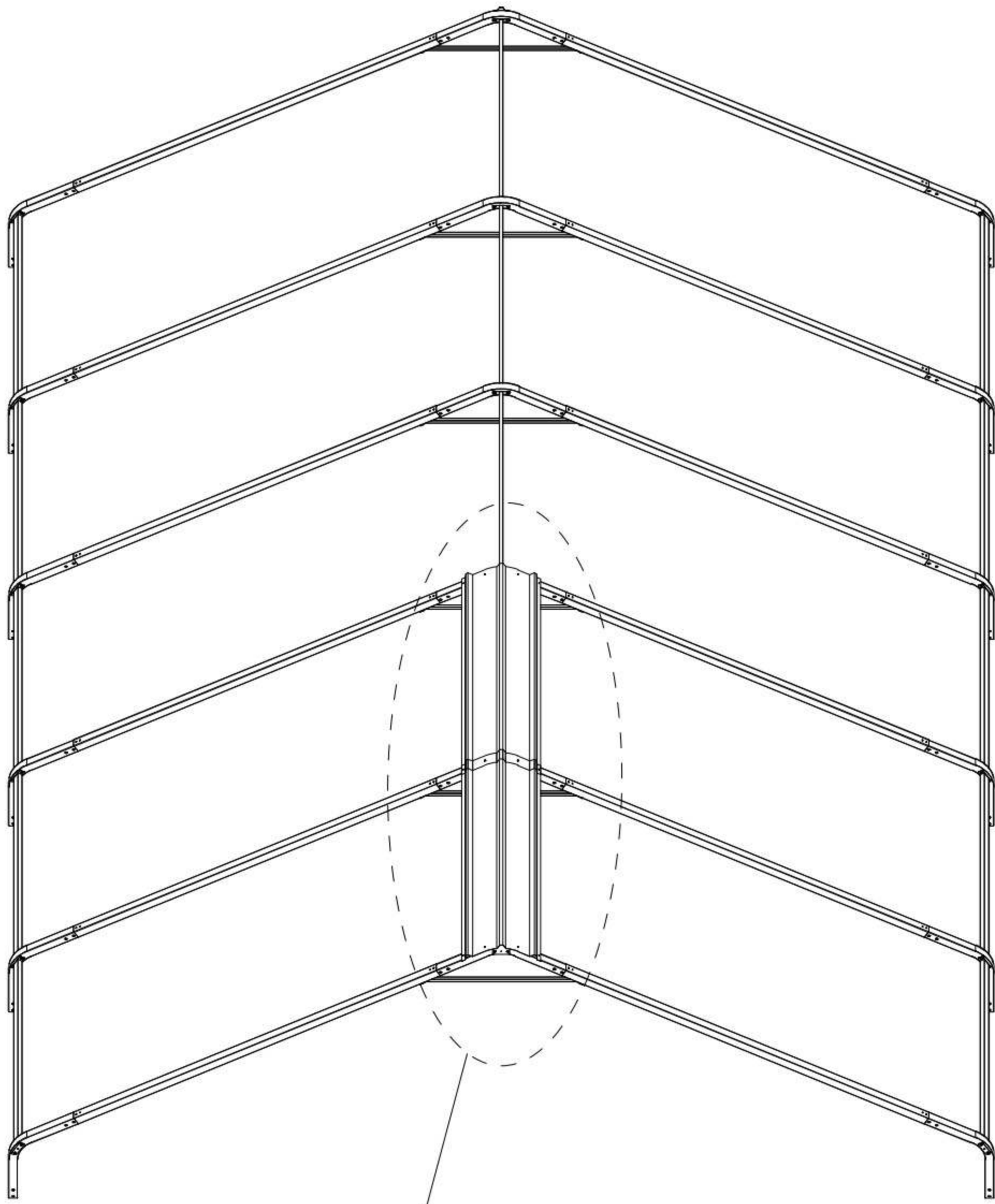
## Notice:

1. Make sure that the screw holes are aligned, and then press the Waterproof Tape (#Y1)
2. Make sure there are no gaps between the two roof covers to prevent water leakage

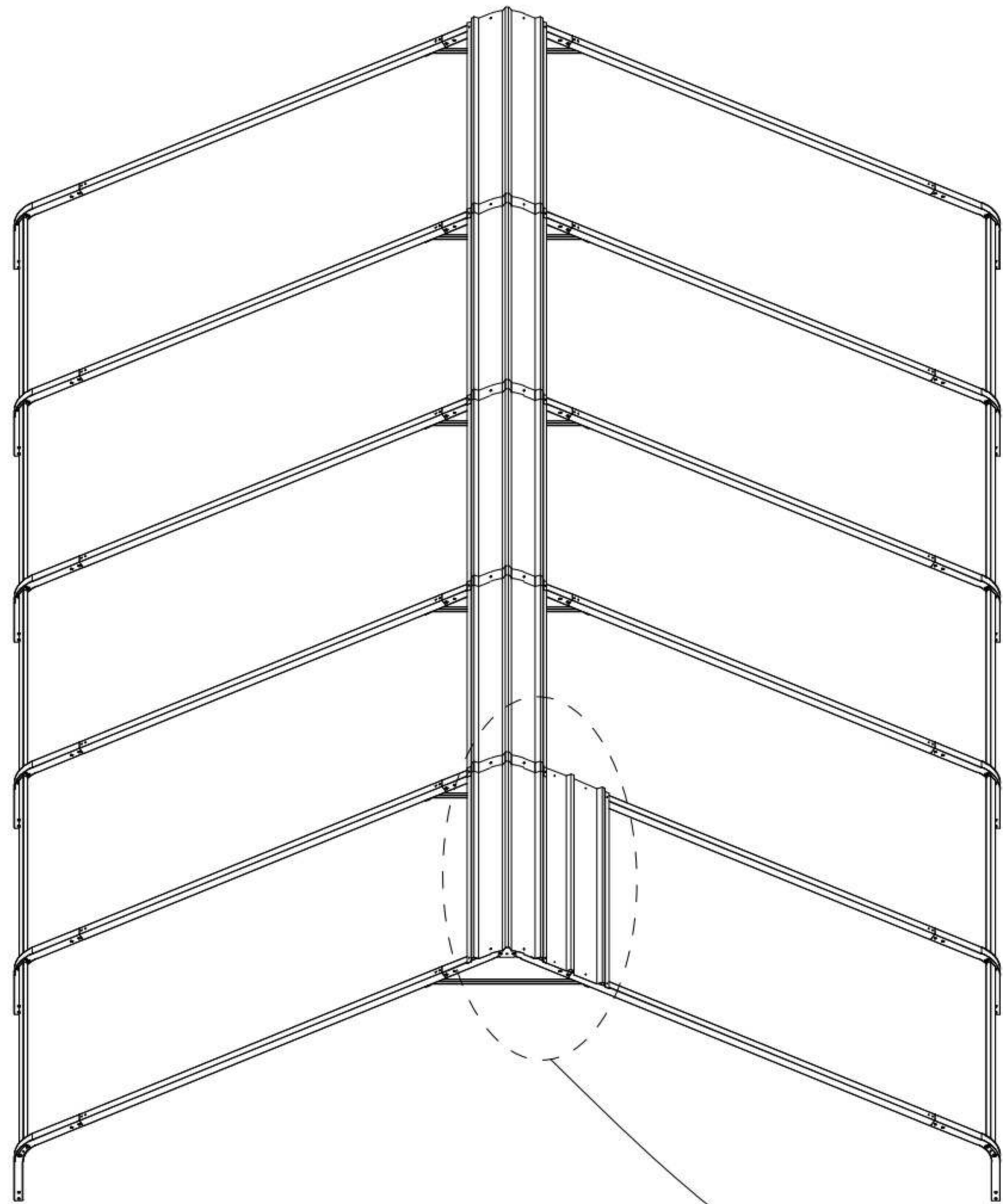
#R		X4
#Y1		
#G1		X10

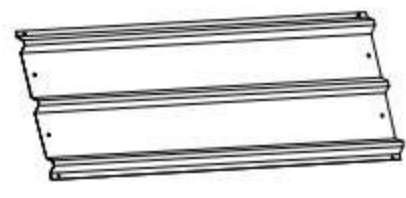
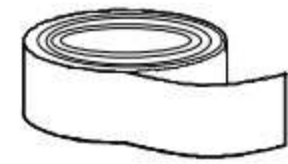
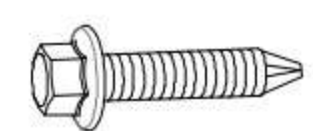
3.1) The second Roof Cover (#R) needs to be placed on the first Roof Cover (#R)

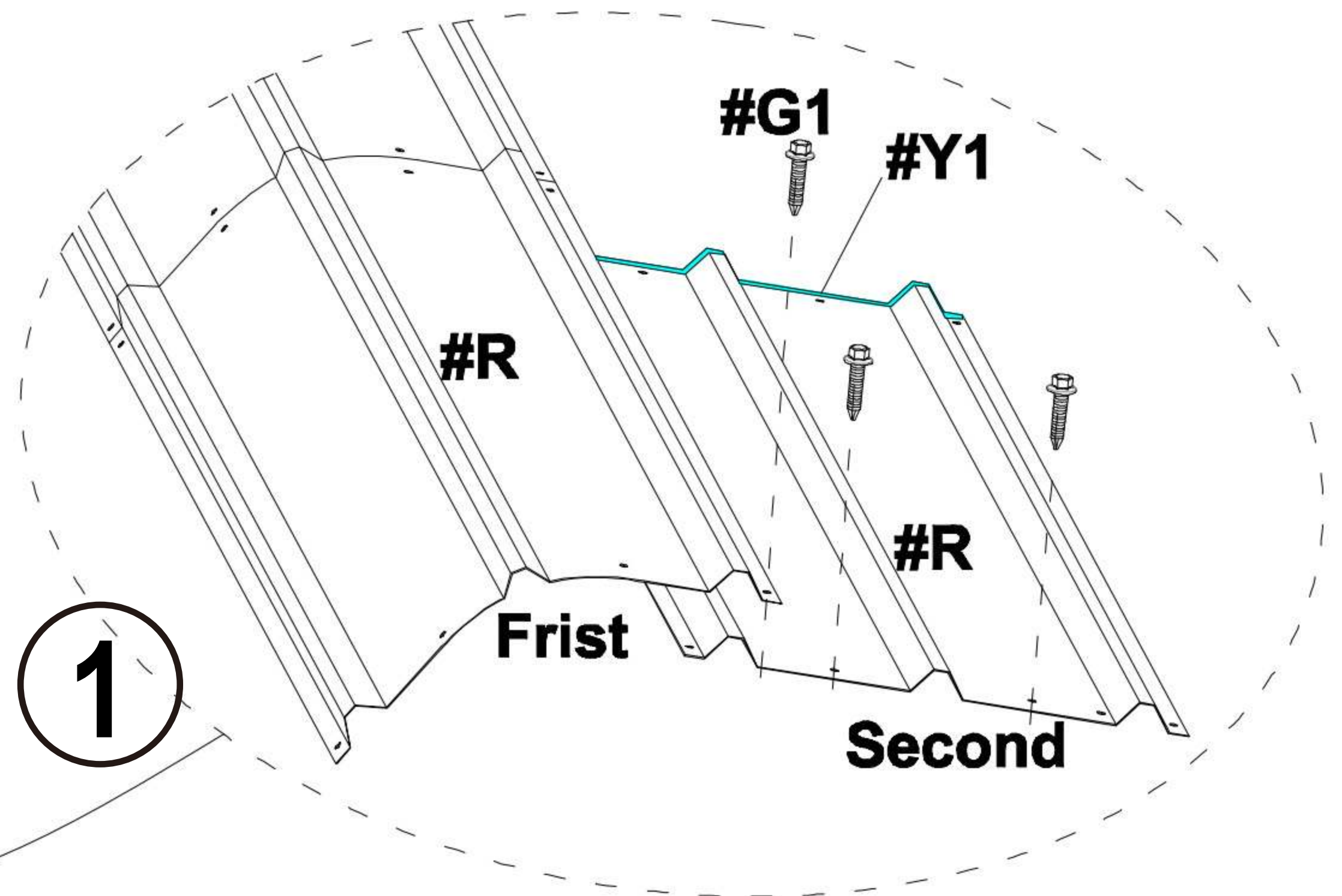
3.2) Follow the previous steps and continue to install the remaining Roof Cover (#R) in the middle row.



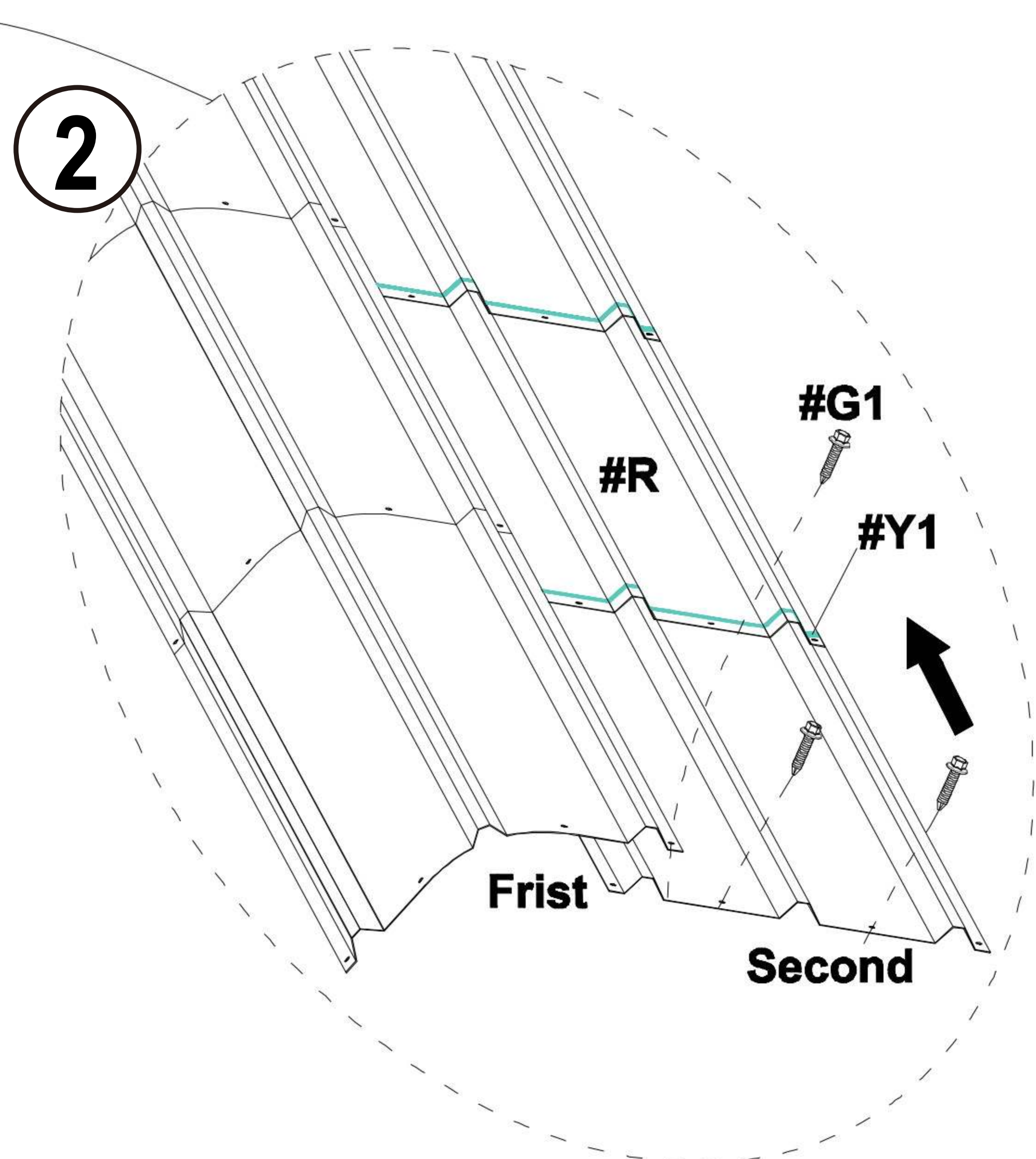
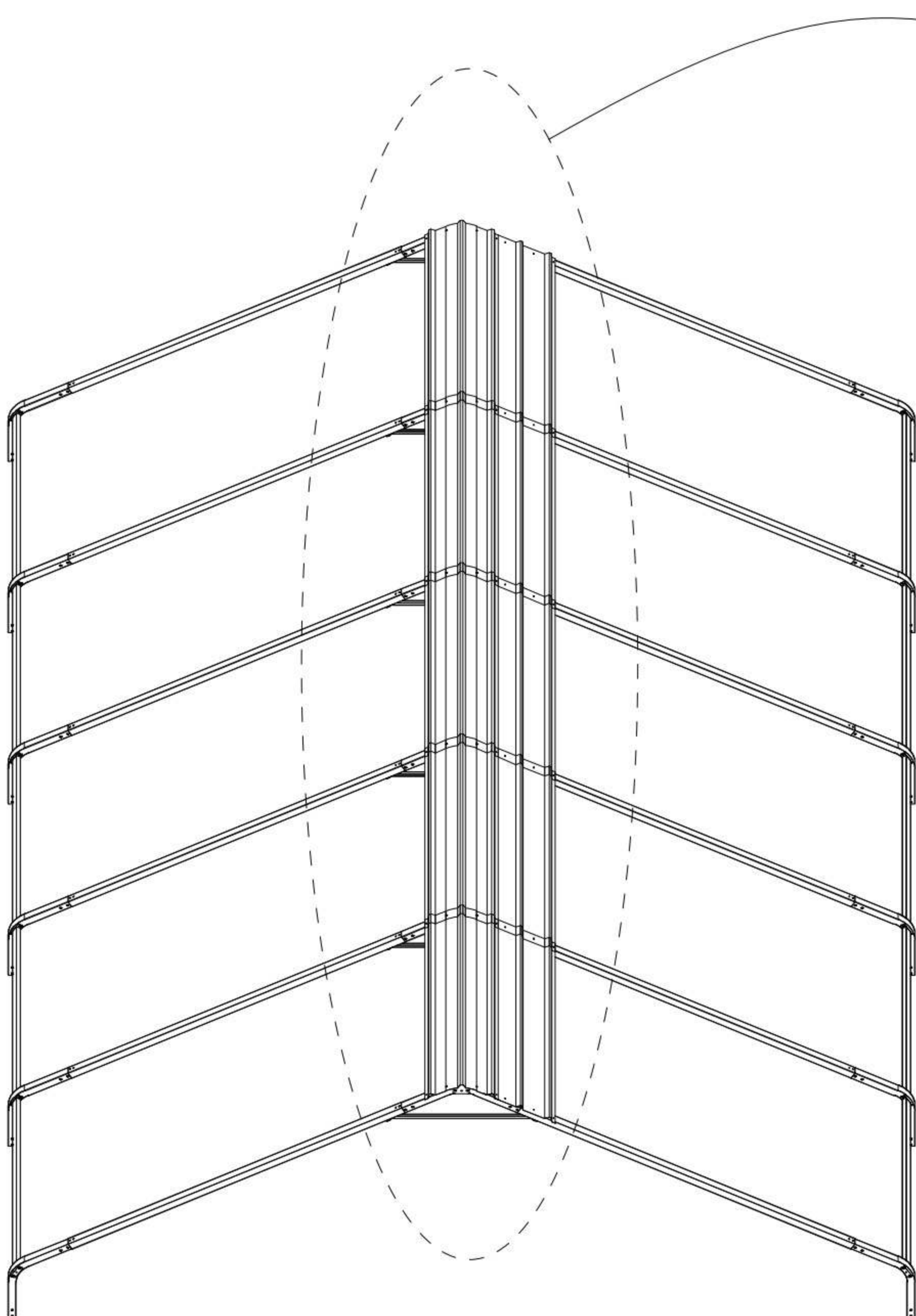
4.1) After installing the middle row, continue to install the 4 rows on the right. Each newly installed Roof Cover (#R) in a row needs to be placed below the Roof Cover (#R) in the previous row, as shown in the picture.




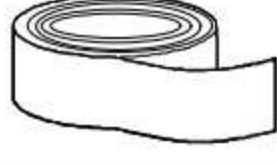
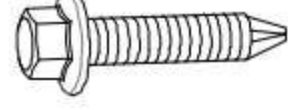
#R		X5
#Y1		
#G1		X18

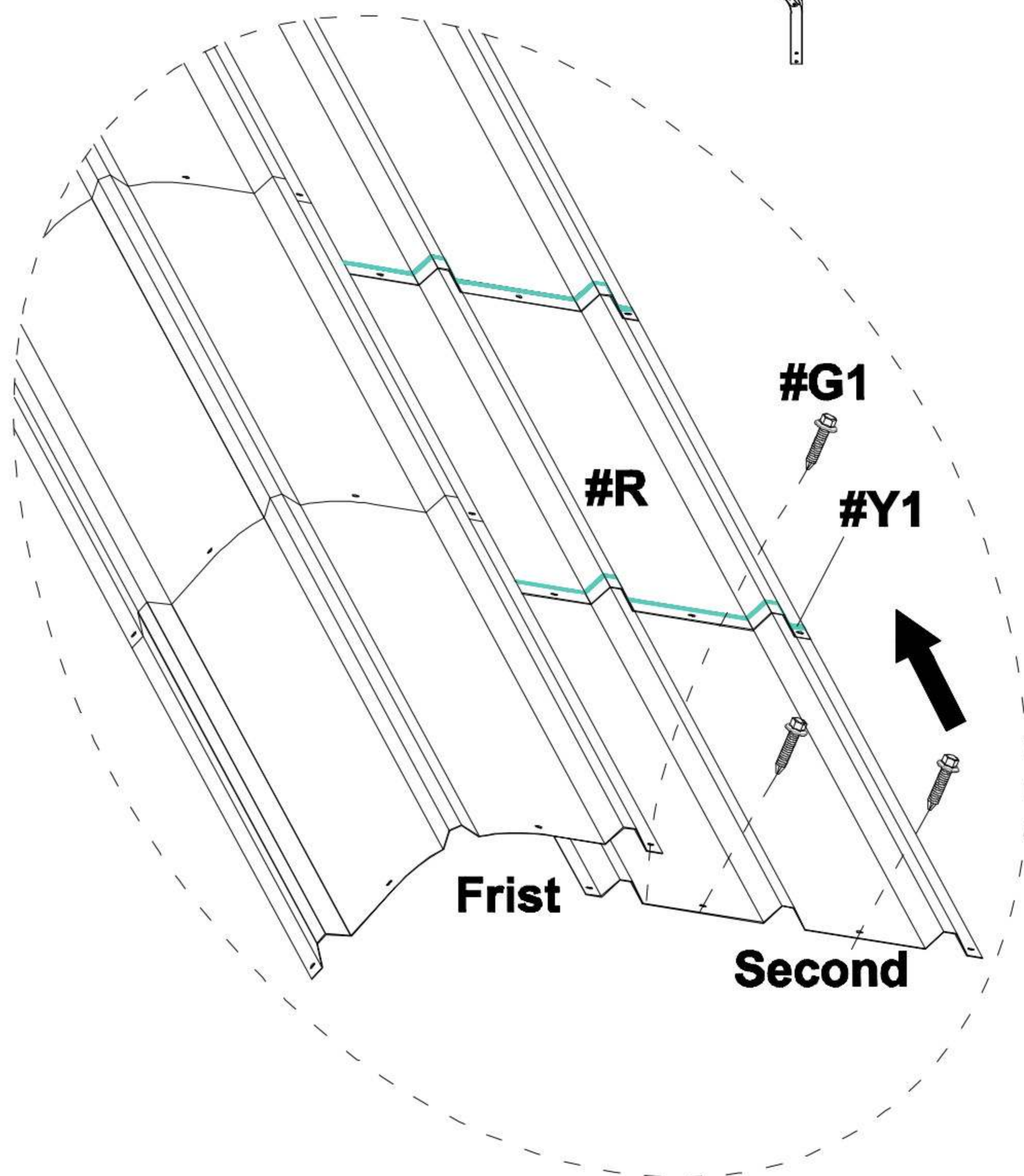
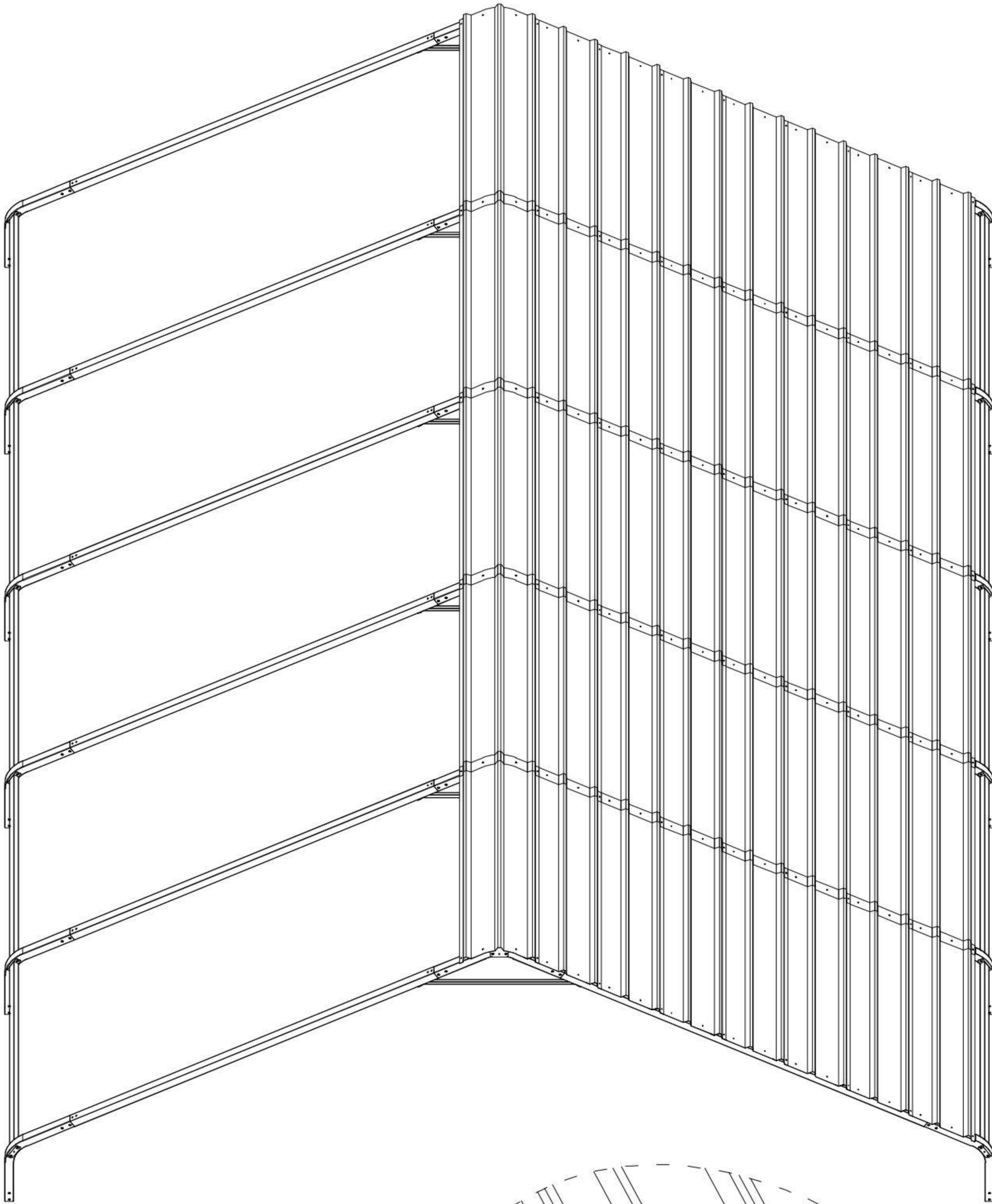


4.2) Same as the previous step, after pasting the Waterproof Tape(#Y1) of RoofCovers(#R),install the next Roof Covers(#R).

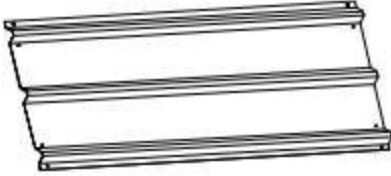
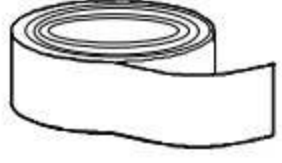
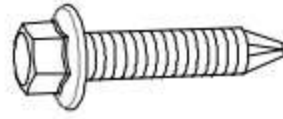


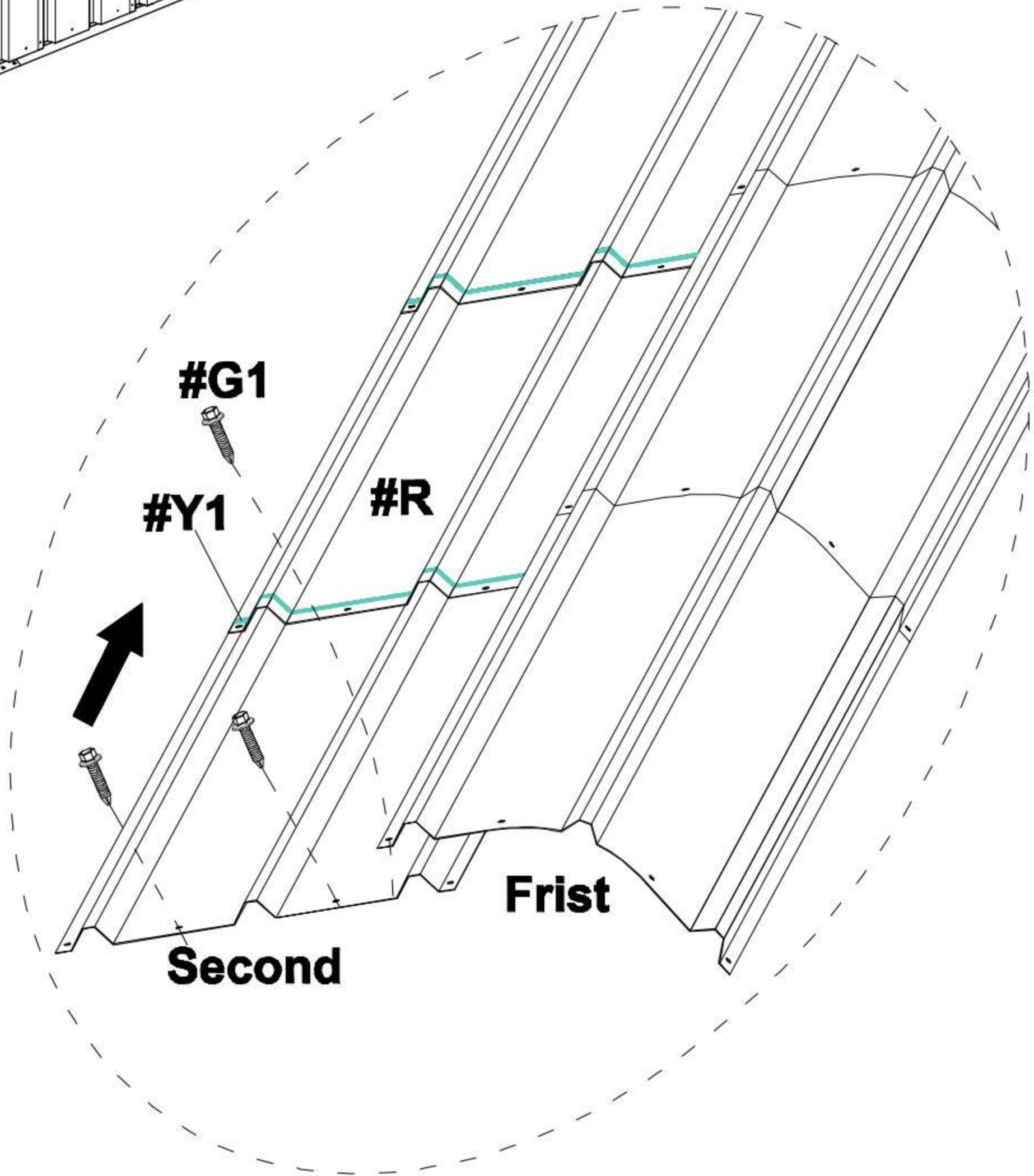
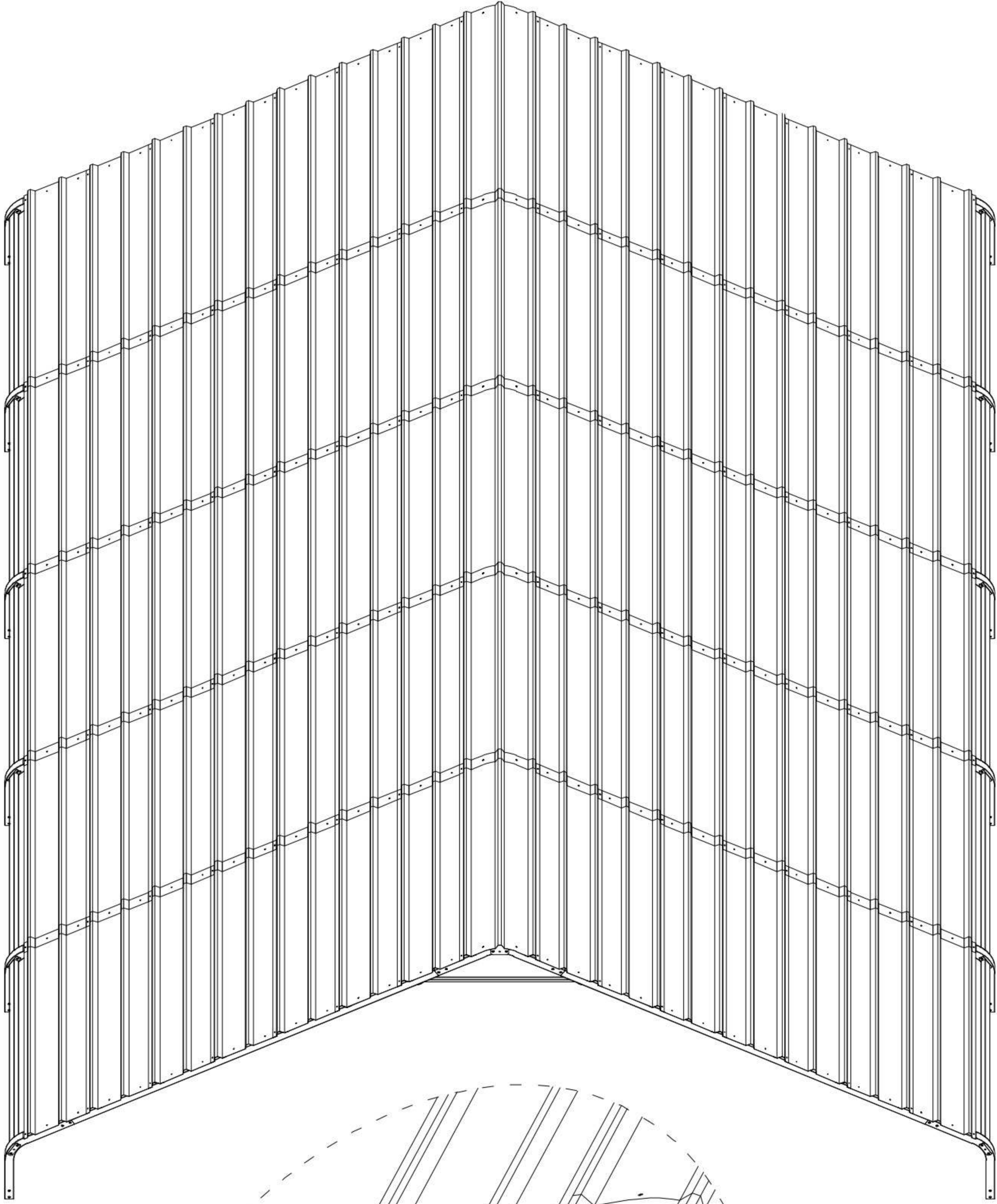
4.3) Follow the previous steps and continue to install the Roof Cover (#R) in the remaining 6 rows on the right.

#R		X30
#Y1		
#G1		X108



5.2) Same as the installation steps for the 6 rows on the right, please complete the installation of Roof Cover(#R) of the 7 rows on the left.



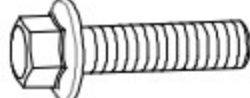
#R		X35
#Y1		
#G1		X126

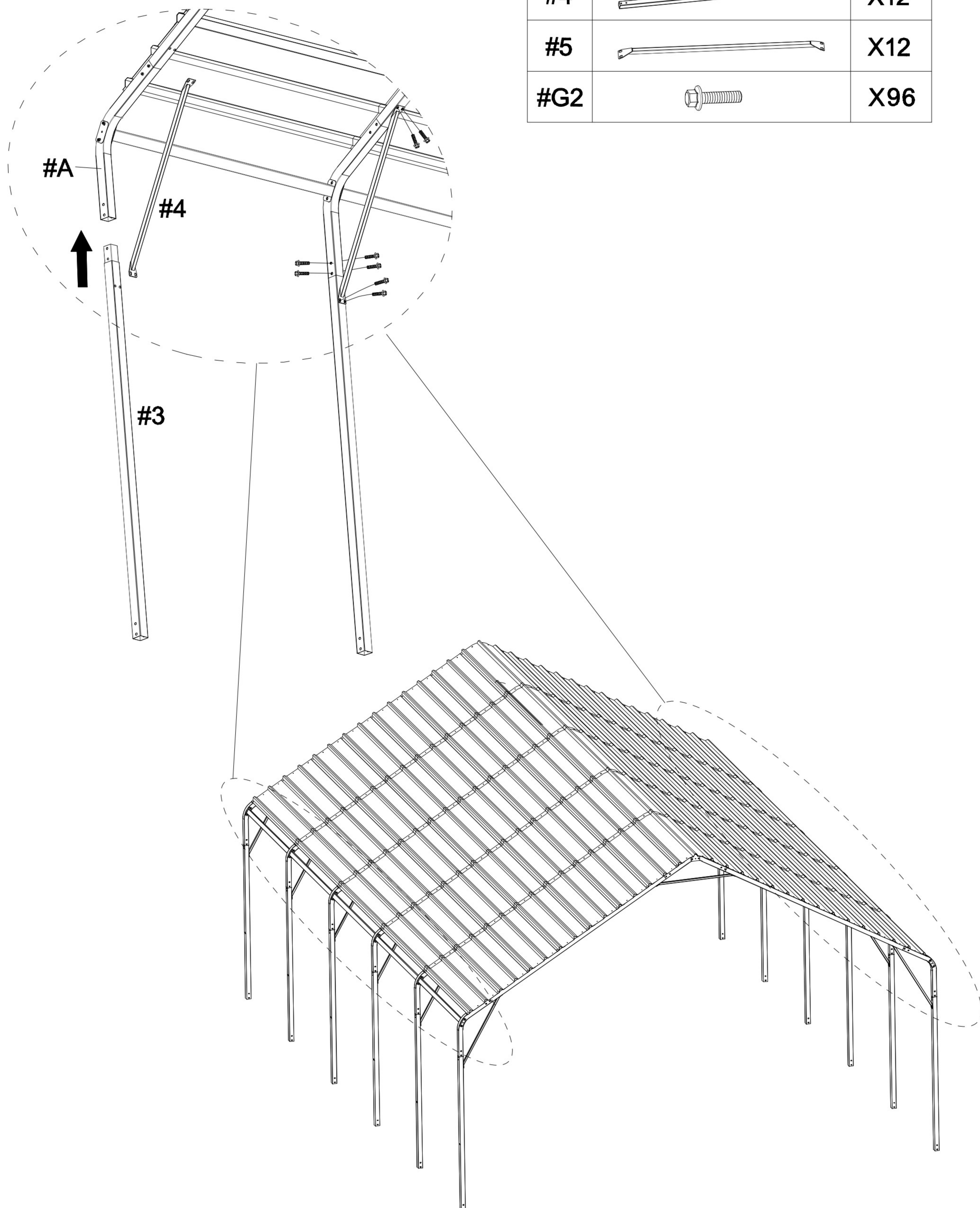


## STEP 5: Connect Legs

1) Install Leg Pole(#4) and Top Reinforcing pole(#5) to the Connector(#7).

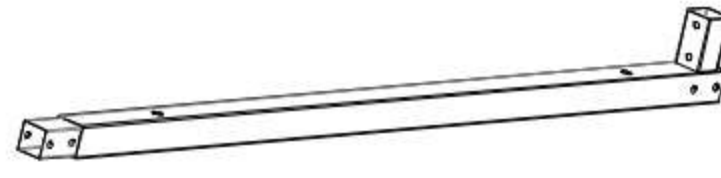
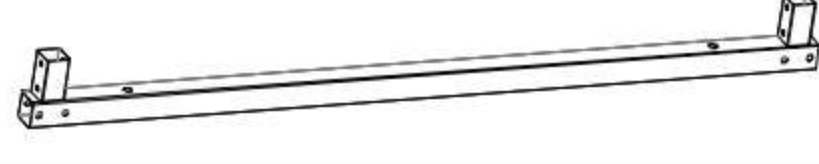
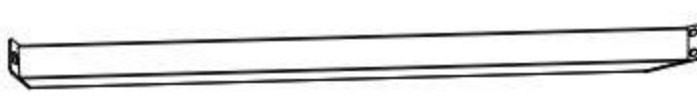
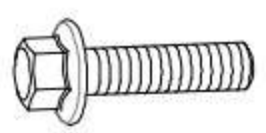
2) The linking screws in this step are all: Hex Head Cap Bolt (#G2) .

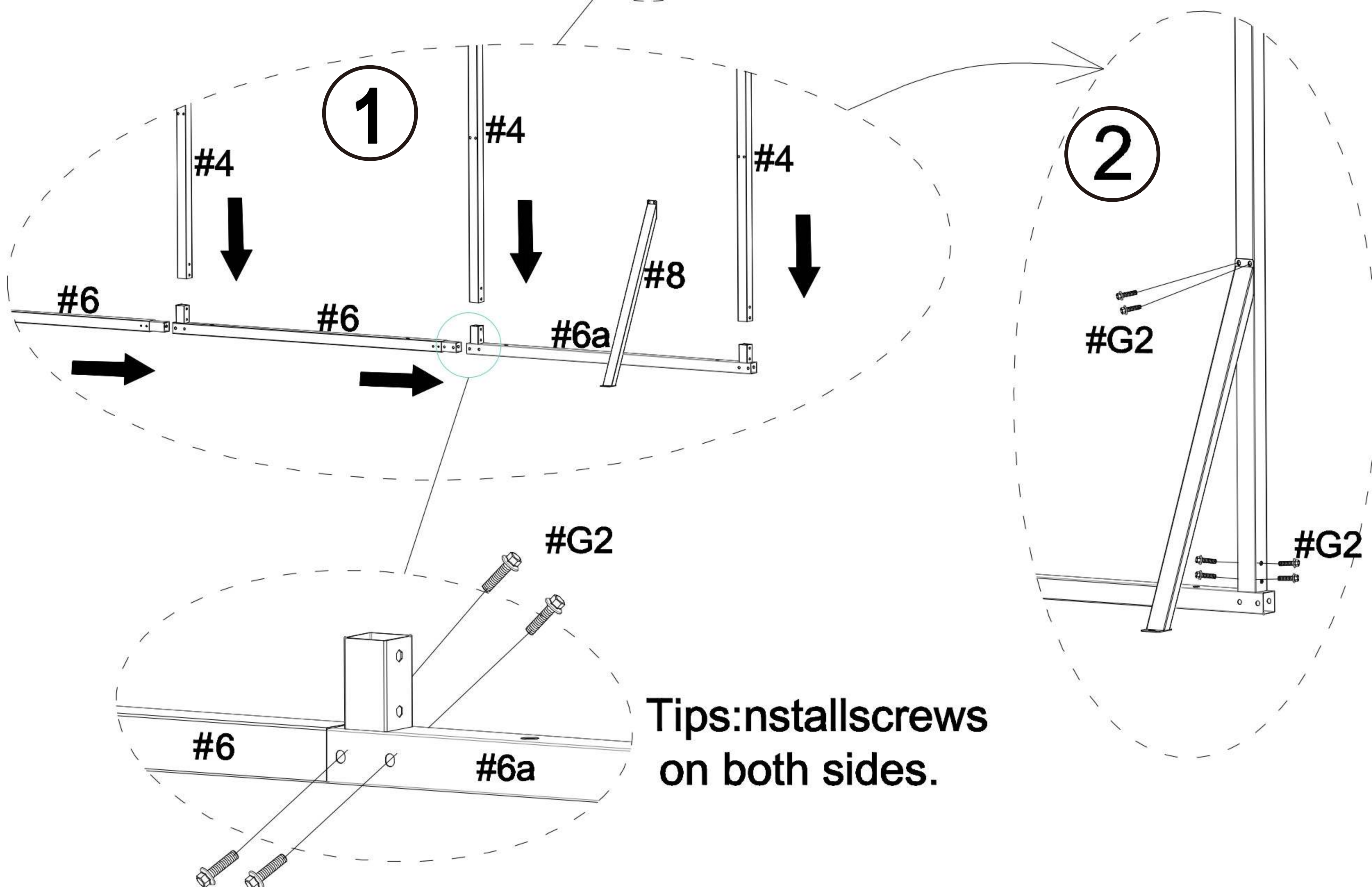
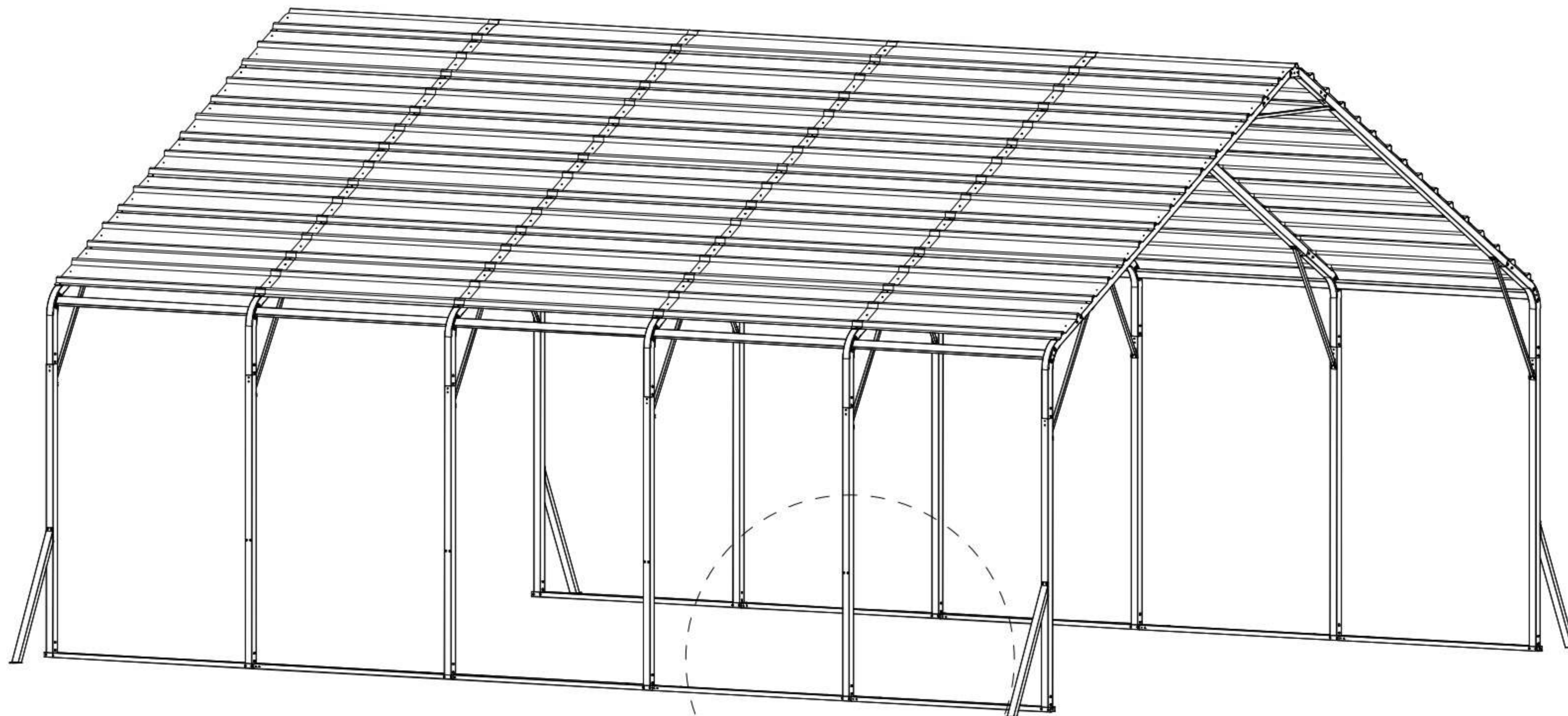
#4		X12
#5		X12
#G2		X96



## STEP 6: Reinforce the Frame

- 1) Connect all the Leg Pole (#4) to Ground bar 1 (#6) and Ground bar 2 (#6a)
- 2) The linking screws in this step are all: Hex Head Cap Bolt (#G2) and Expansion screws (#G3).

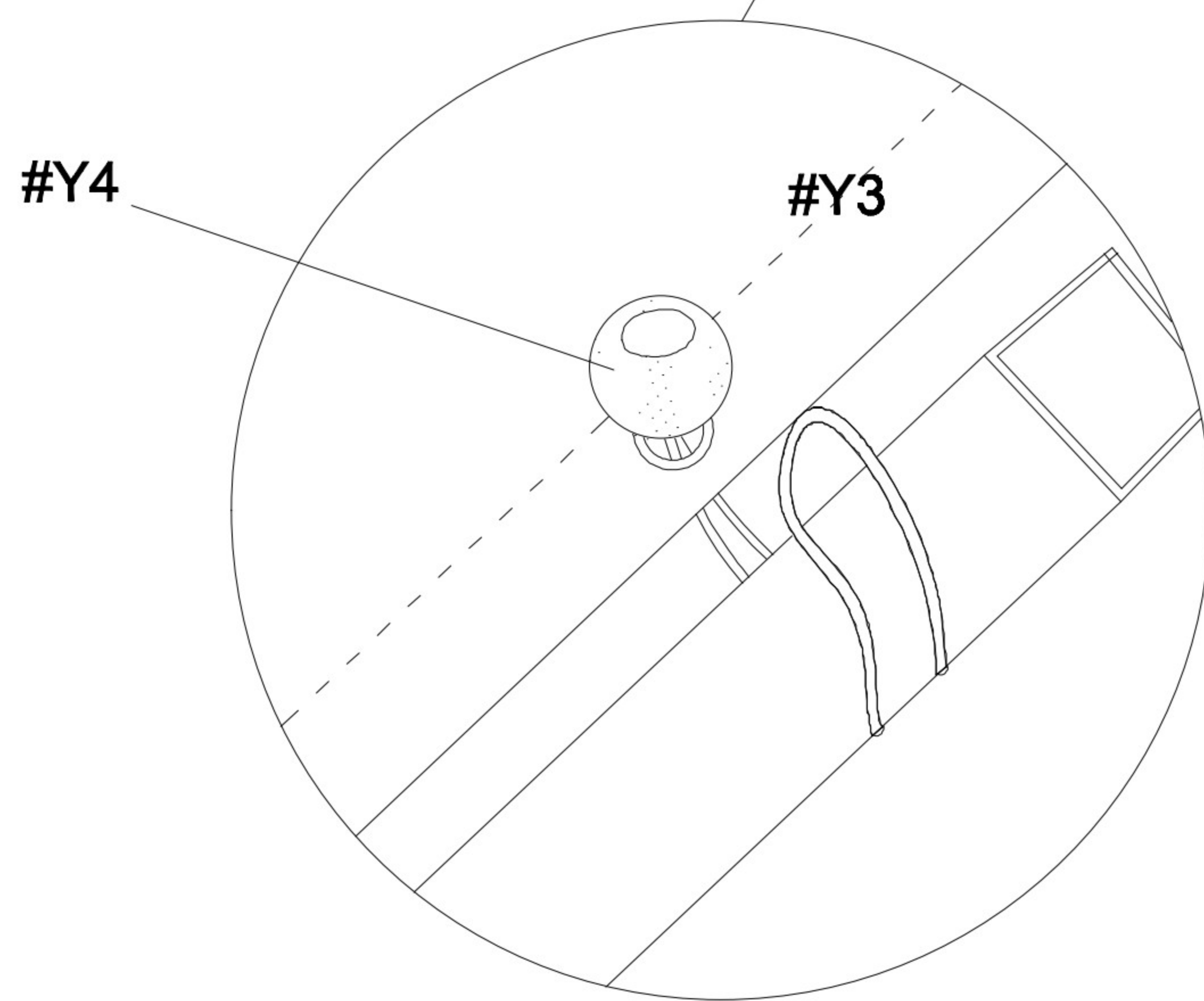
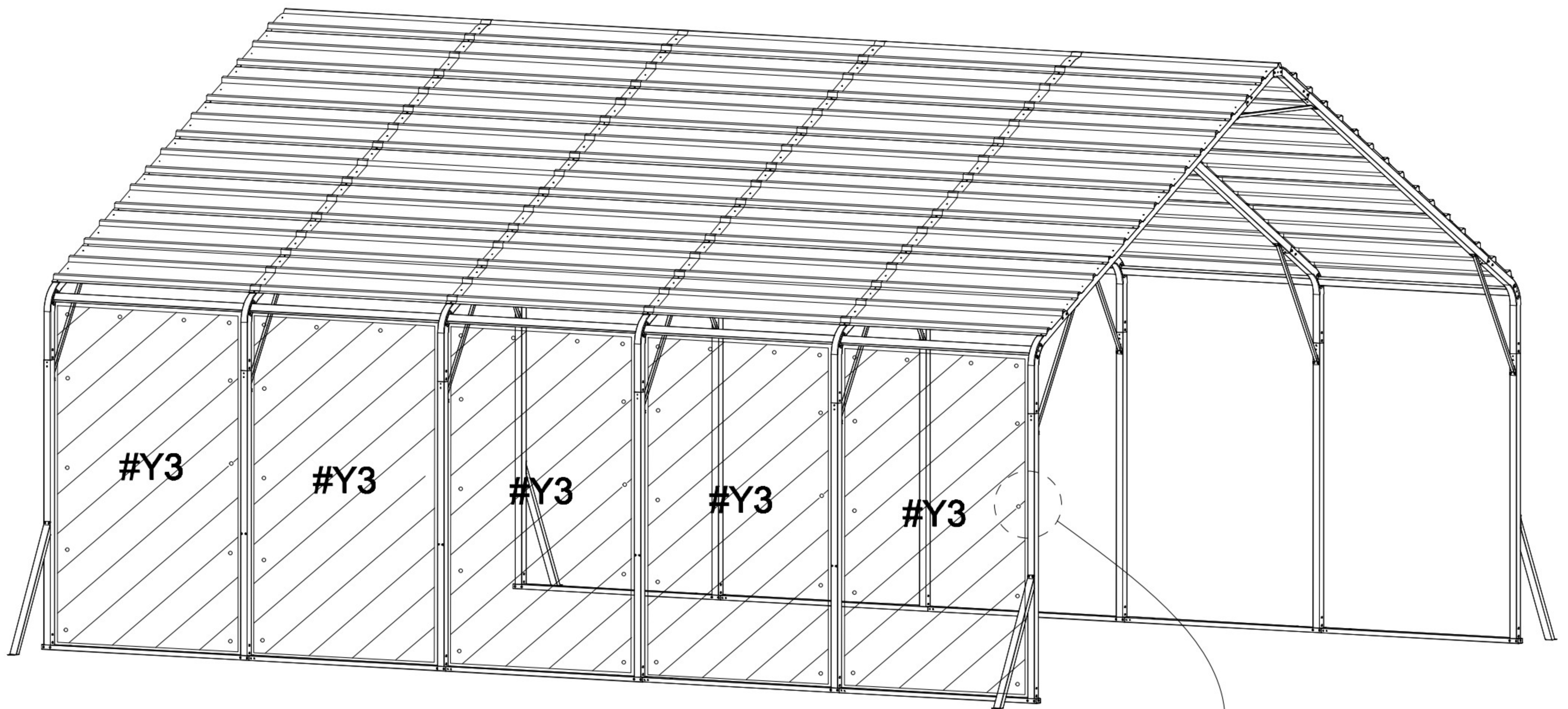
#6		X8
#6a		X2
#8		X4
#G2		X88



# STEP 7: Reinforce the Frame

Secure 5 wall cloths (#Y3) to the frame with rope beads (#Y4)

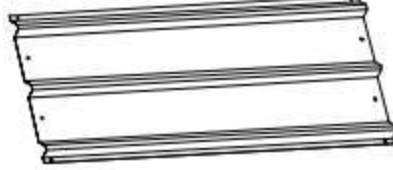

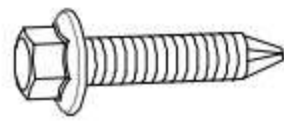
#Y3		X5
#Y4		X60

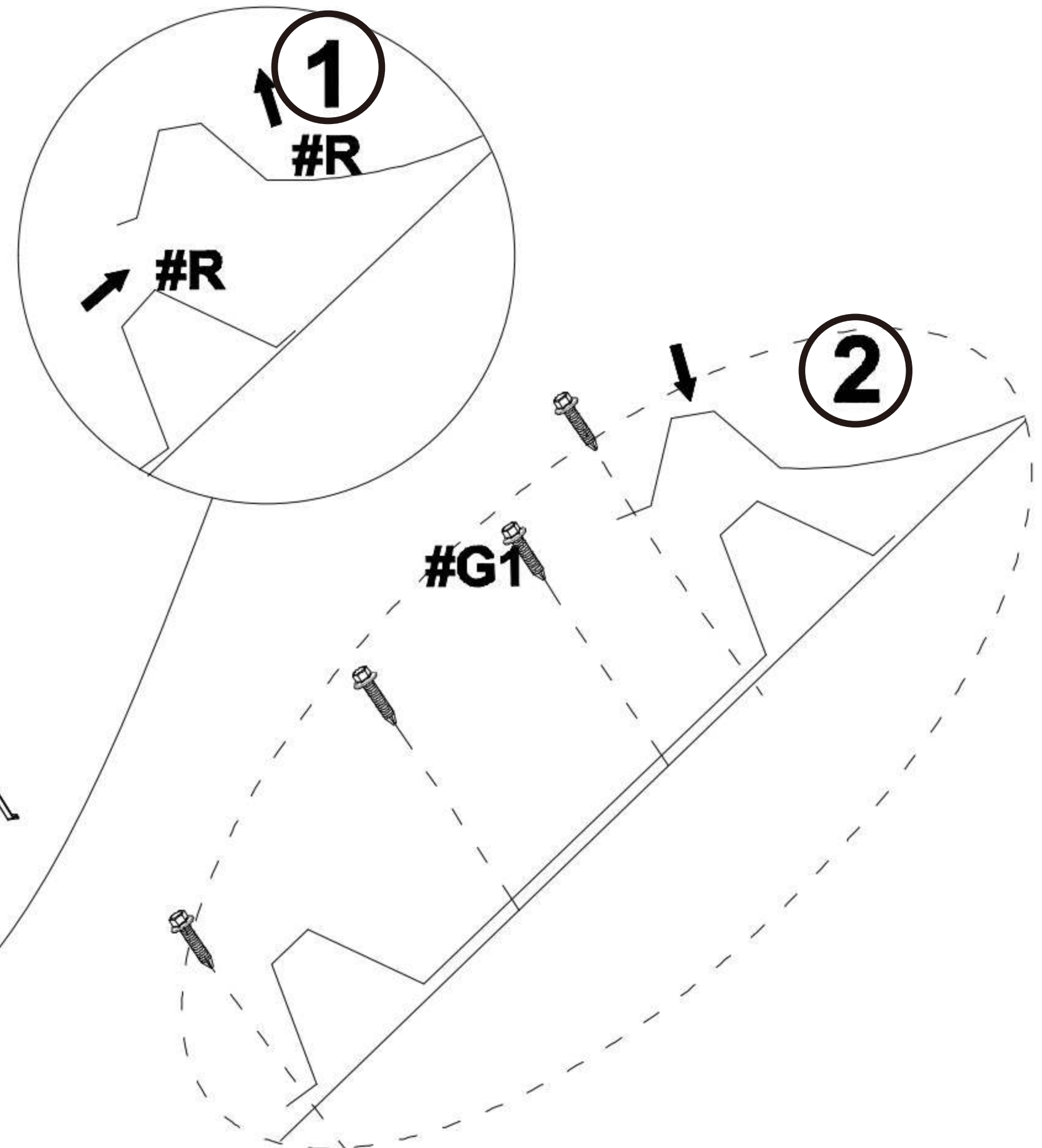
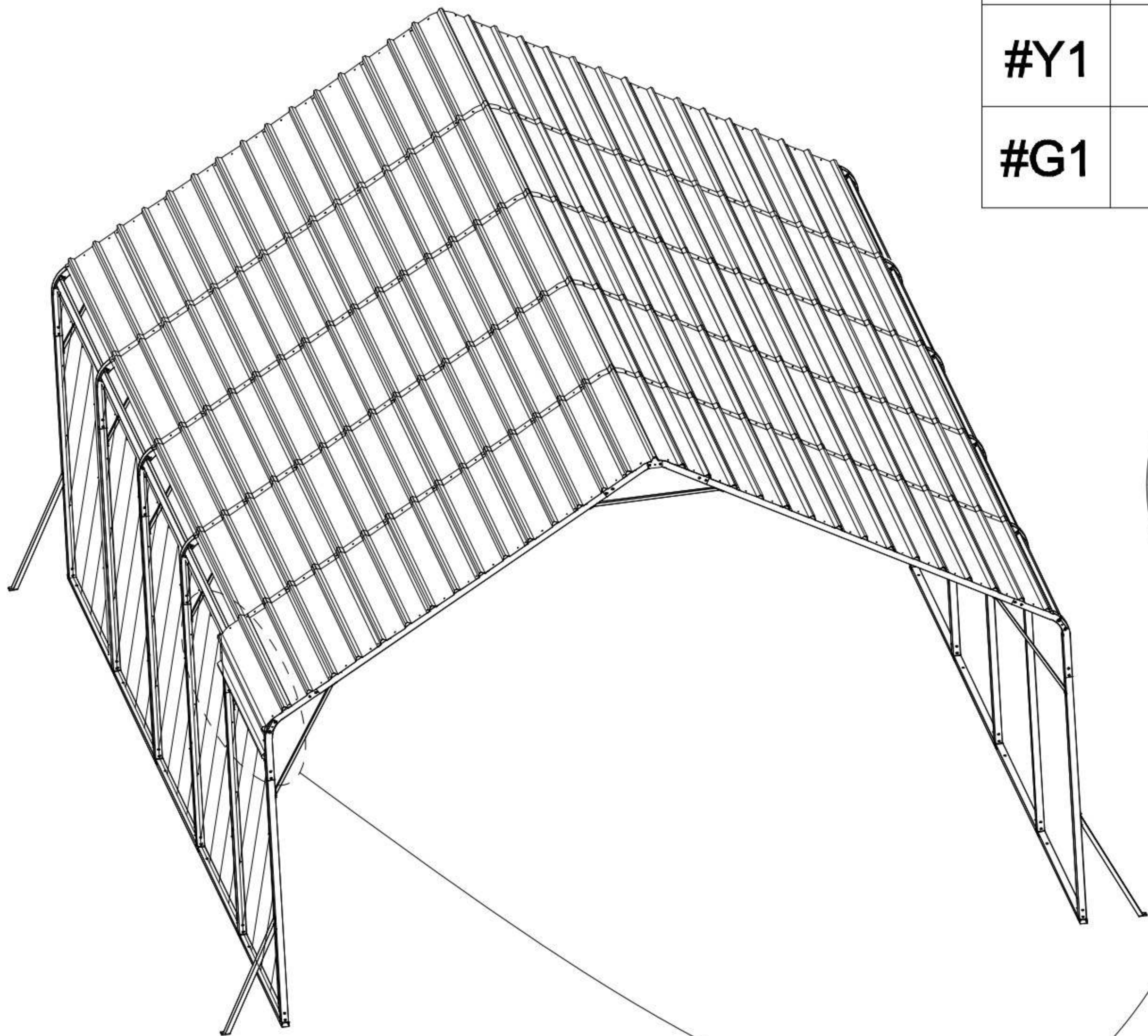


## STEP 8: Install the Side Roof

After installing the Leg Pole(#4), continue to install the Roof Cover (#R) in the 4 rows on the left and right sides.

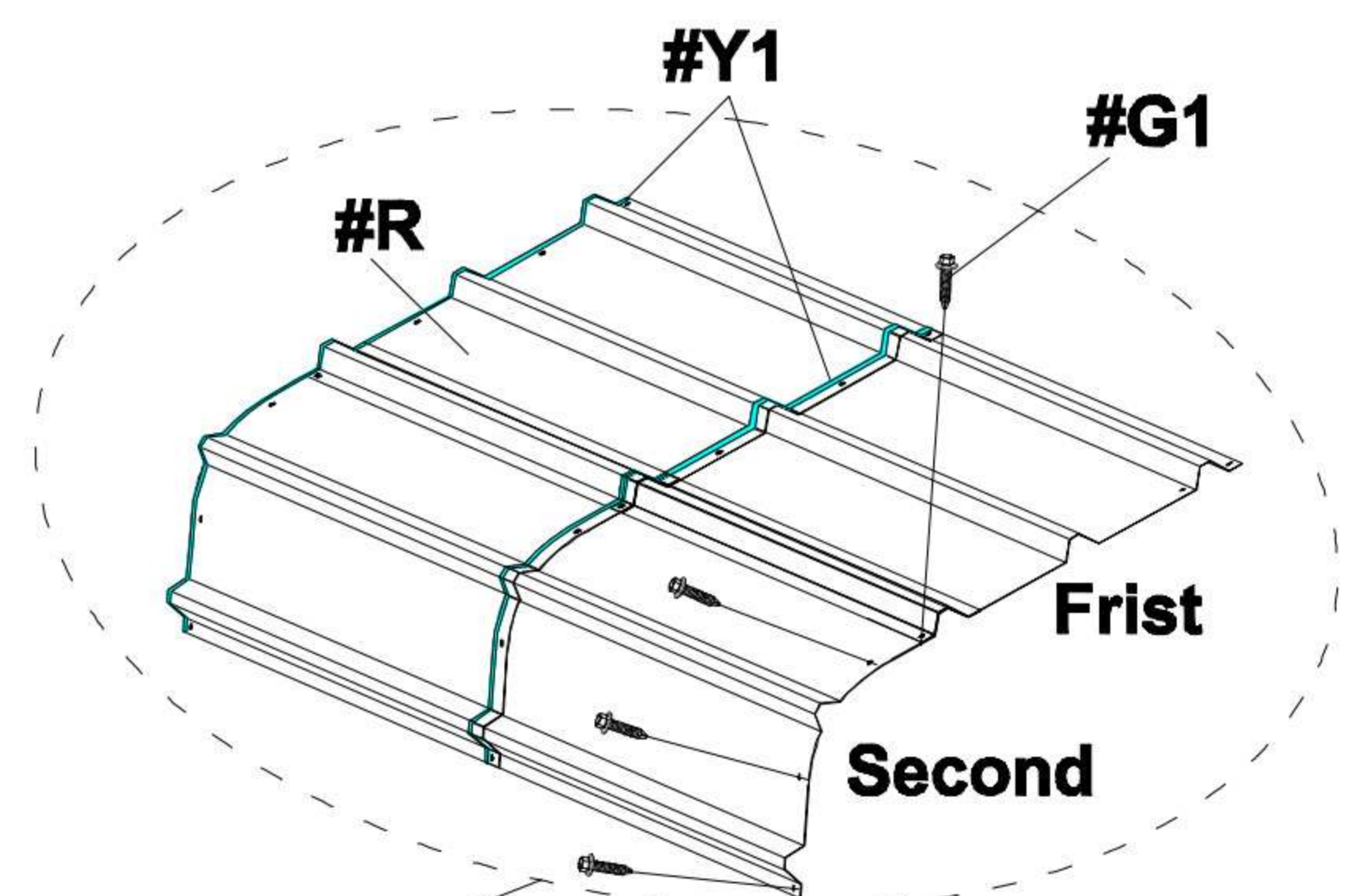
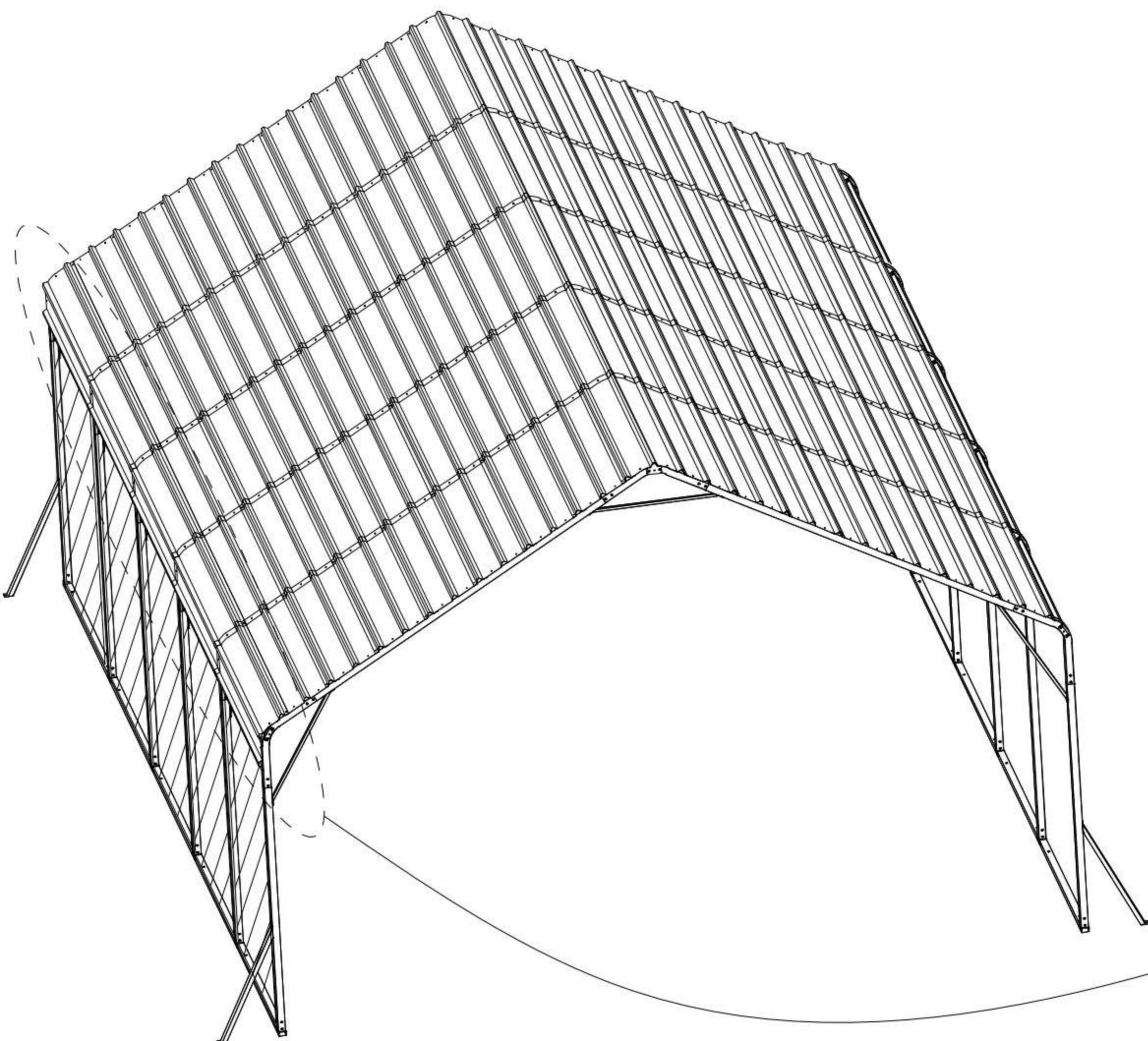
1) First install the Roof Cover (#R) in the left row, as shown in the picture.

#R		X5
#Y1		
#G1		X24

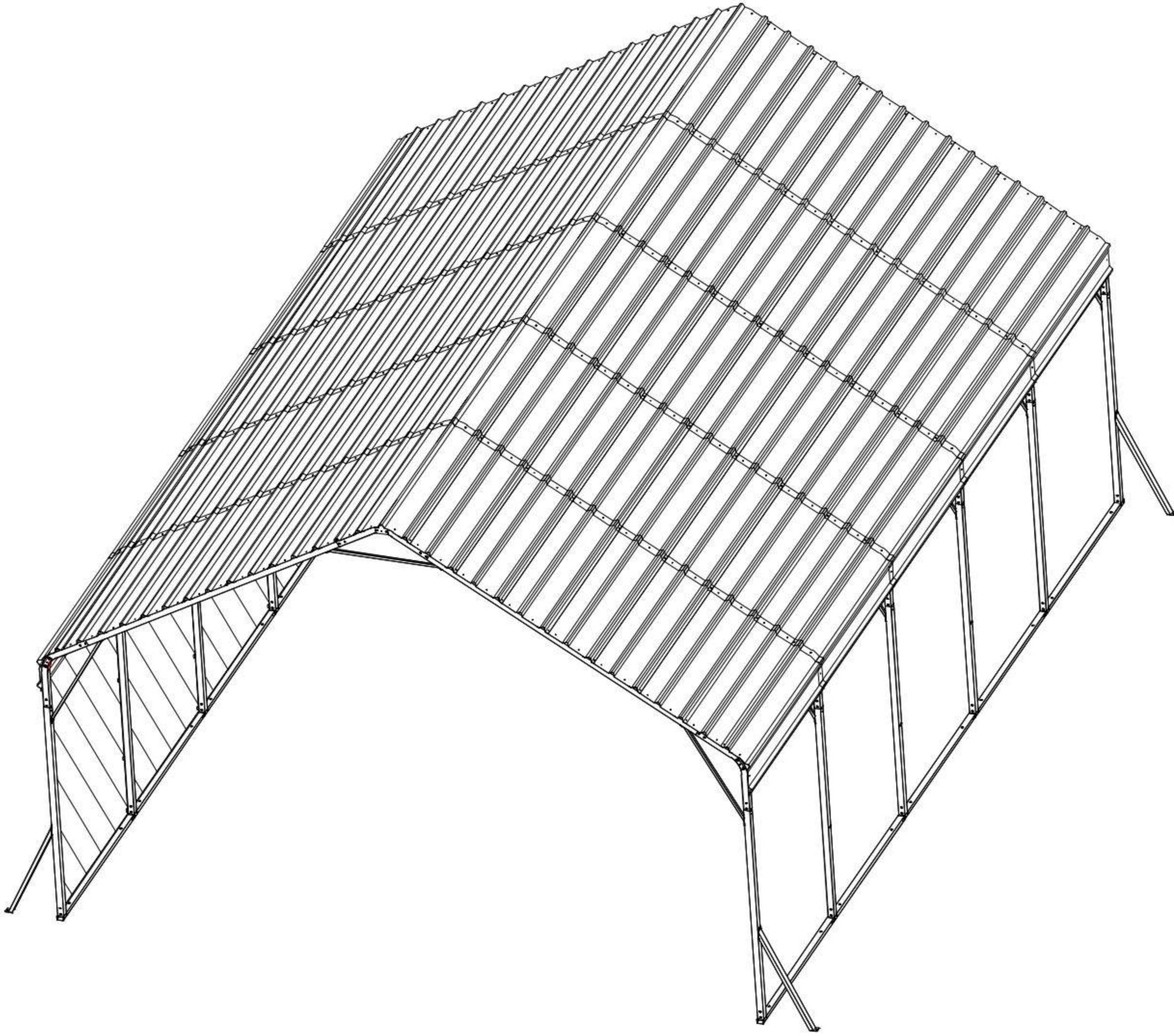


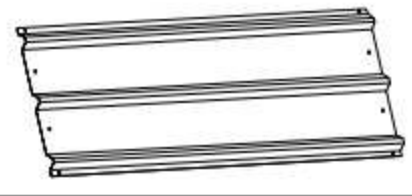

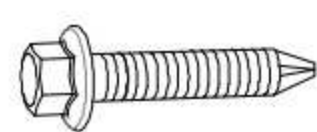

### Notice:

1. Make sure that the screw holes are aligned, and then press the Waterproof Tape (#Y1)
2. Make sure there are no gaps between the two roof covers to prevent water leakage
3. The second Roof Cover (#R) needs to be placed on the first Roof Cover (#R)



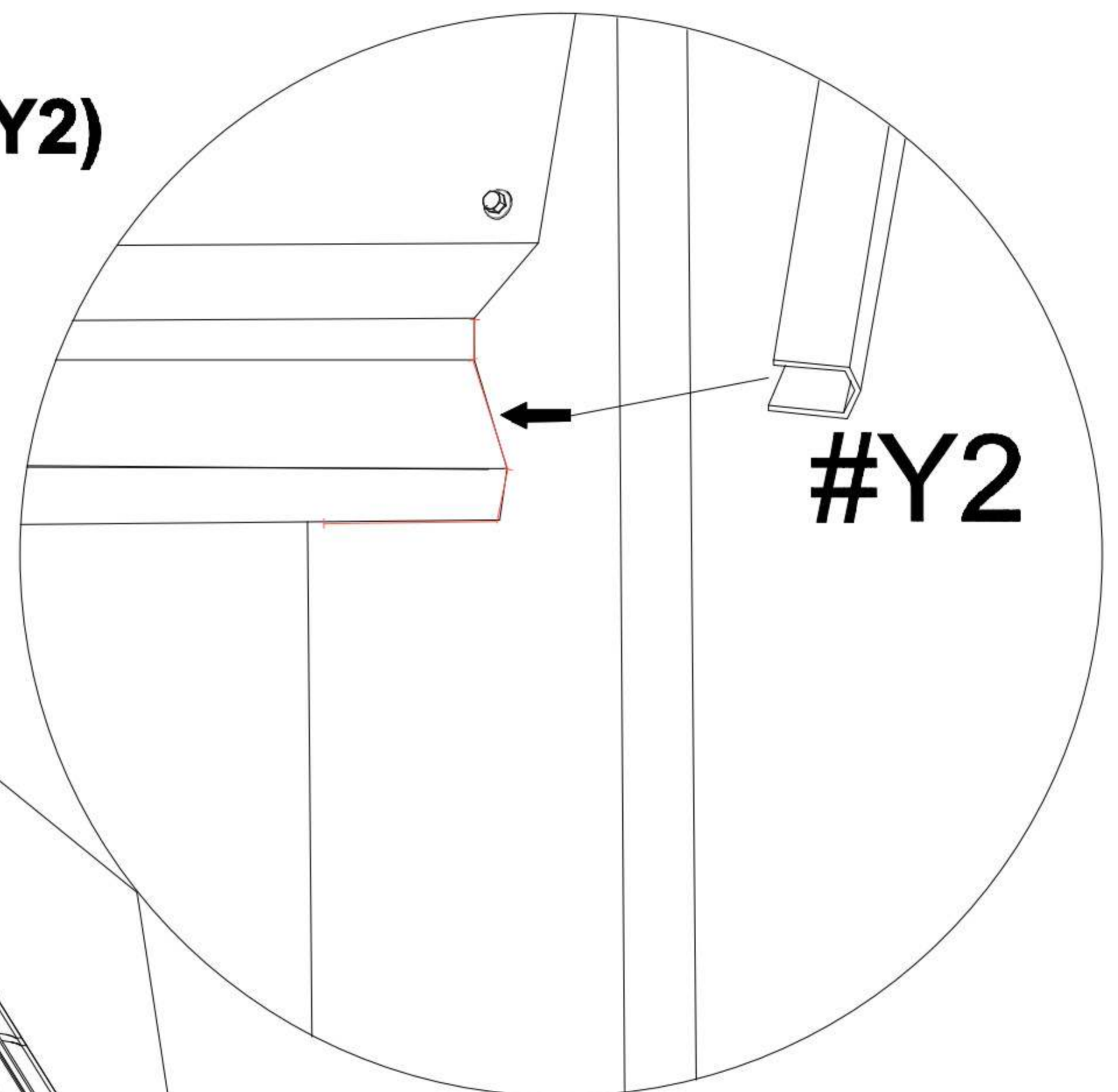
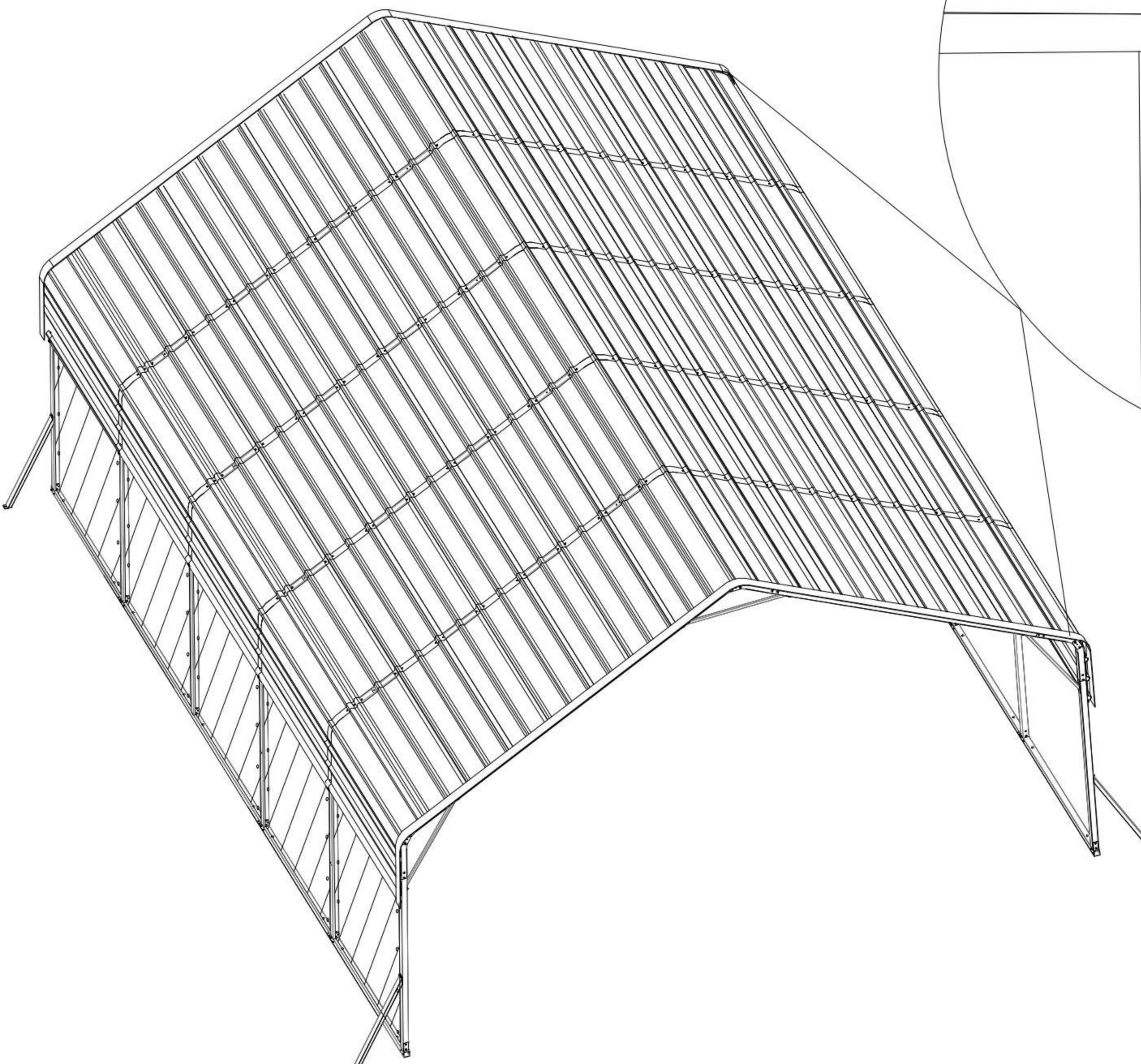
2) Follow the previous steps and continue to install the Roof Cover (#R) in the remaining 1 rows on the right.



#R		X5
#Y1		
#G1		X24
#Y2		

### STEP 9: Install the Anti-cut Tape (#Y2)

1) Wrap the Anti-cut Tape (#Y2) around the outer edge of the Roof Covers(#R).


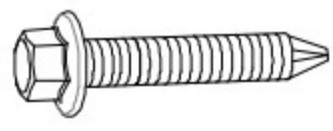


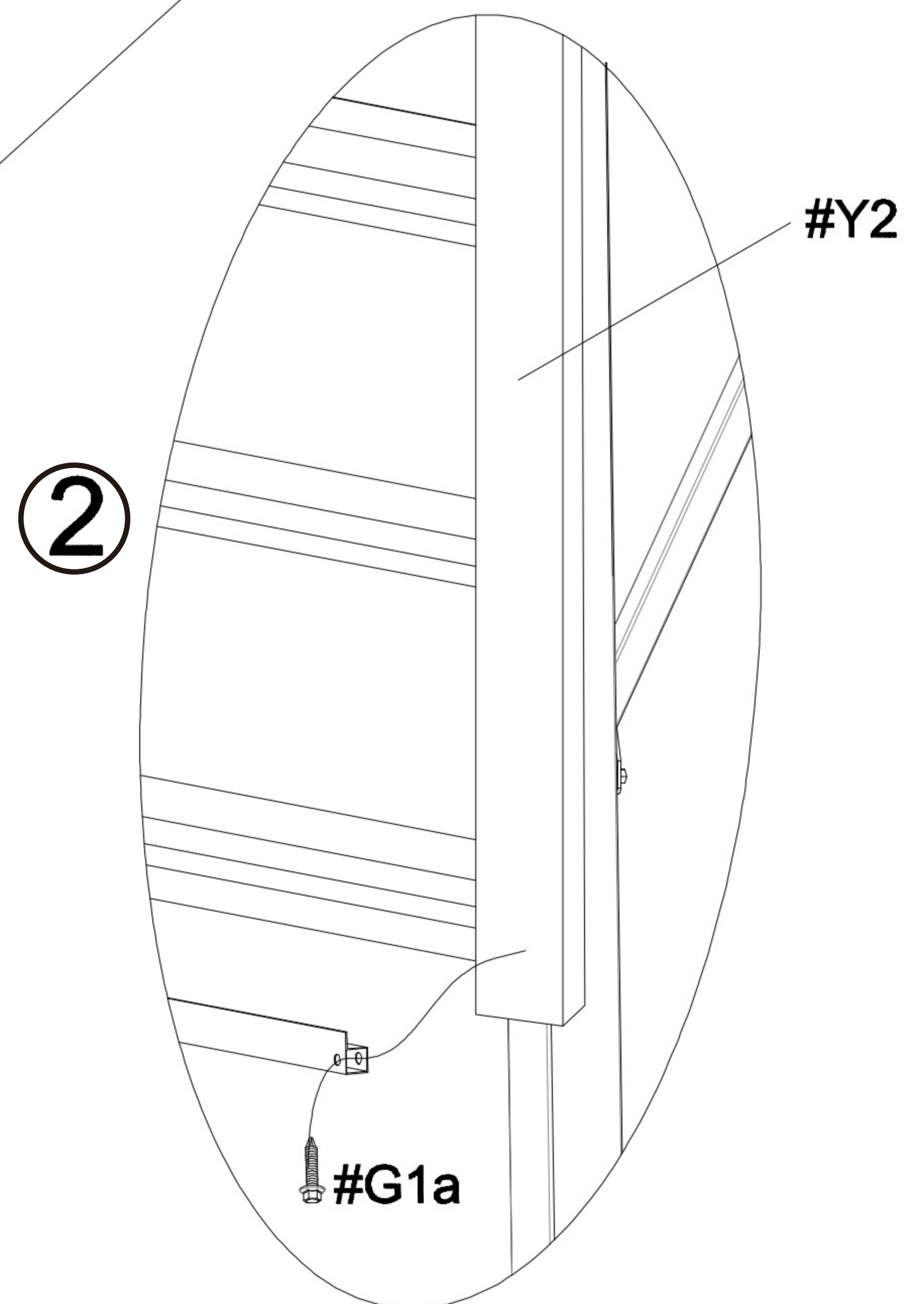
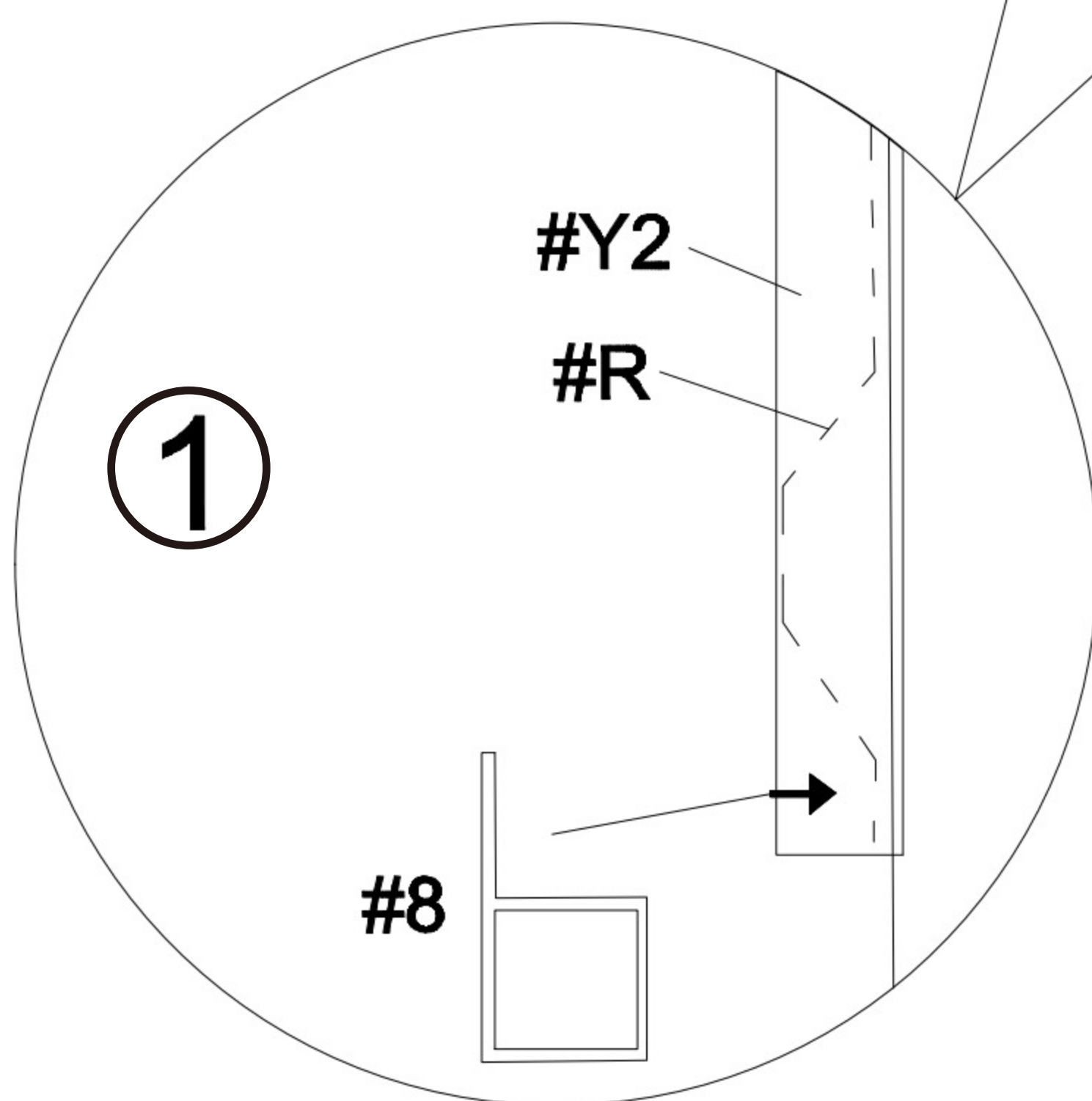
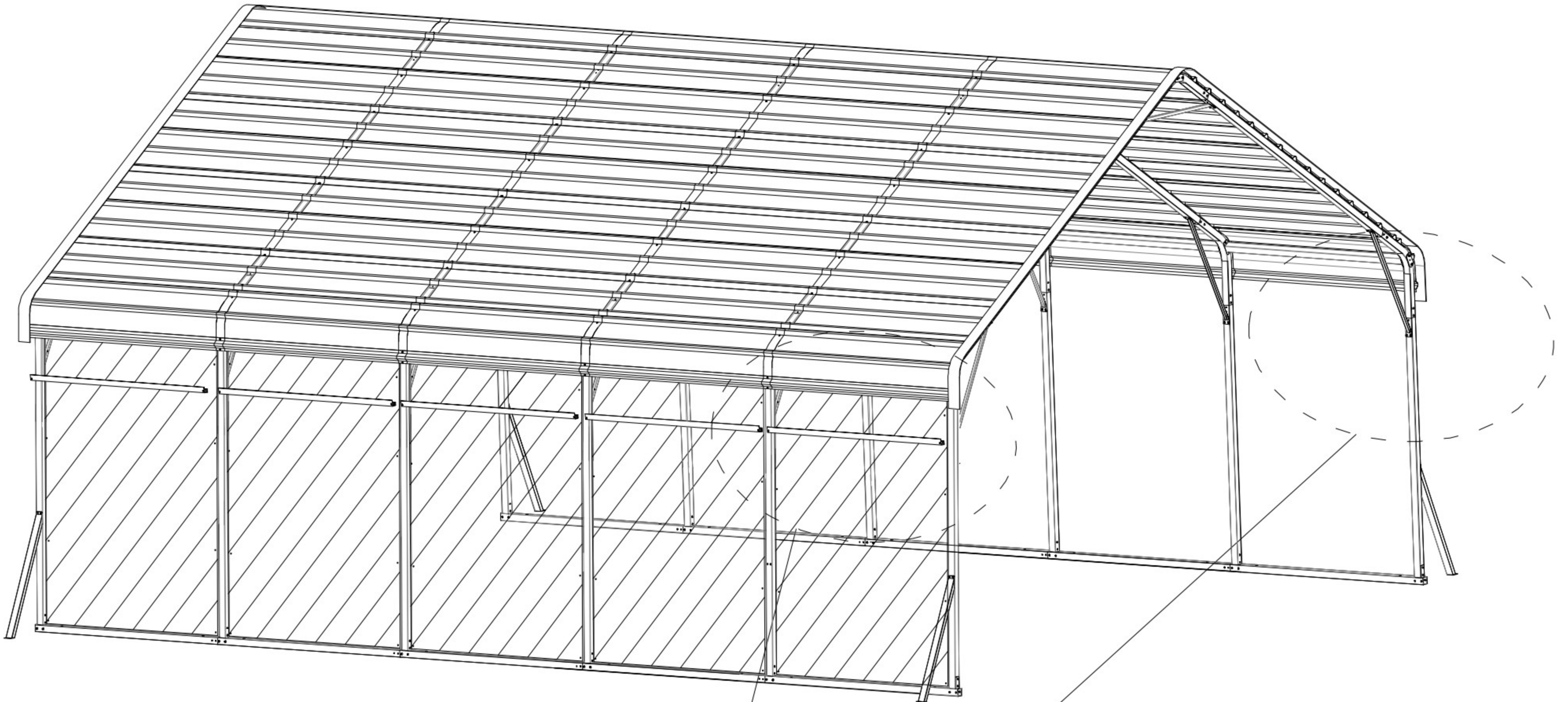
**Notice:**  
Be careful not to start from the 4 corners when wrapping the tape. Right angles are sharp and need to be avoided.

## STEP 10: Side-side defense pole

After installing I the Roof Cover (#R).on the left and right sides.

1) Install the Side-side defense pole(#9) in the left and right row, as shown in the picture.

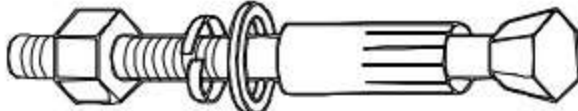
#9		X10
#G1a		X20

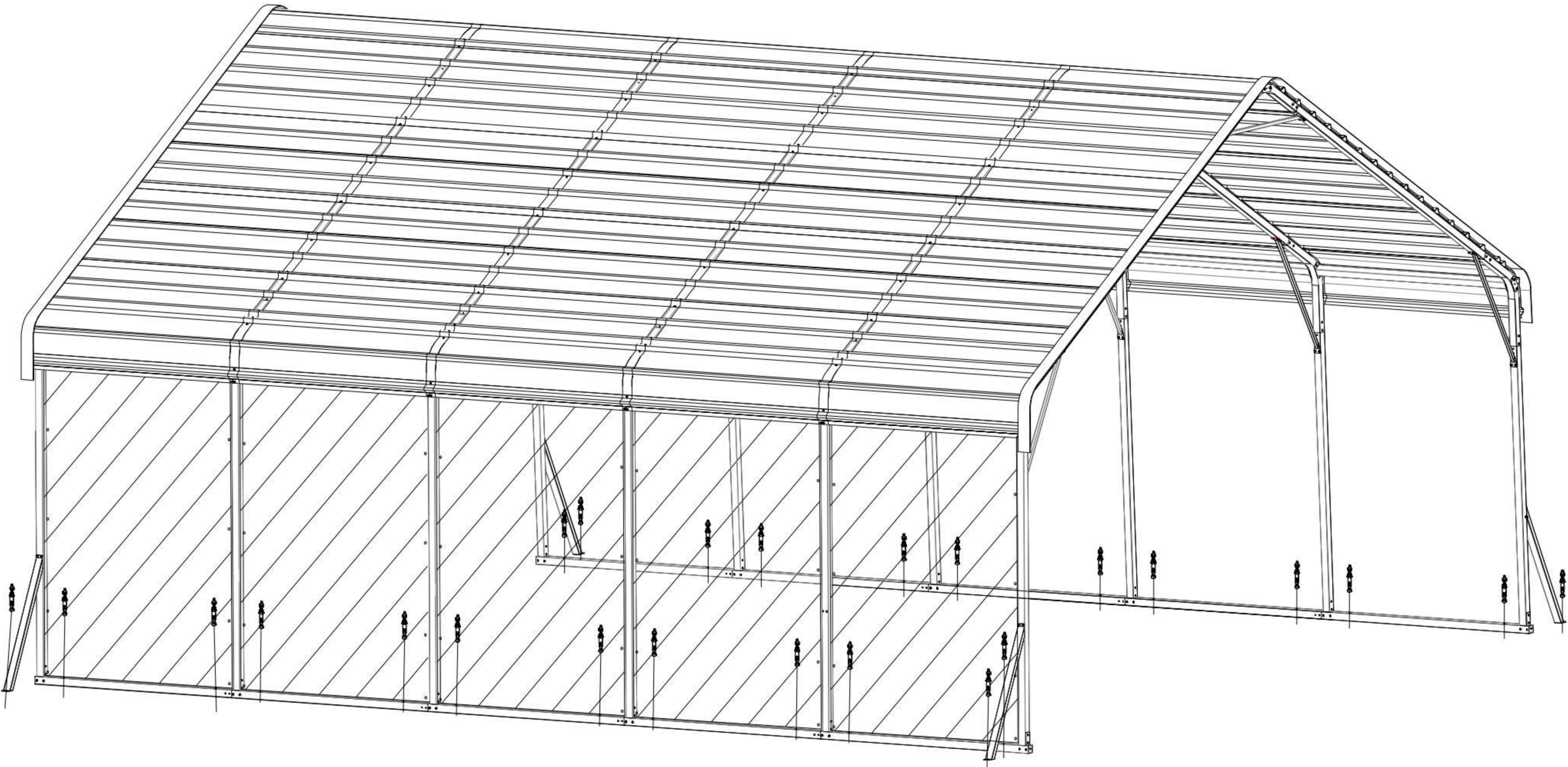


# STEP 11 : Anchor the Carport

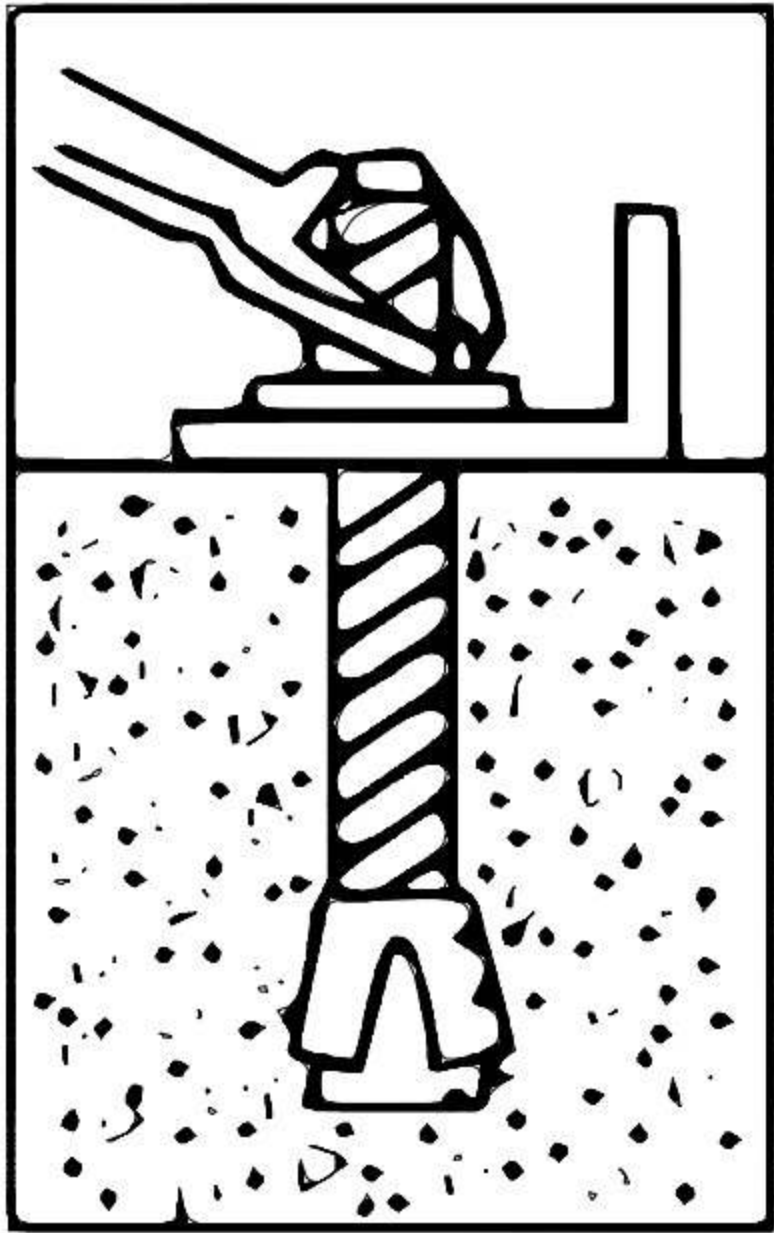
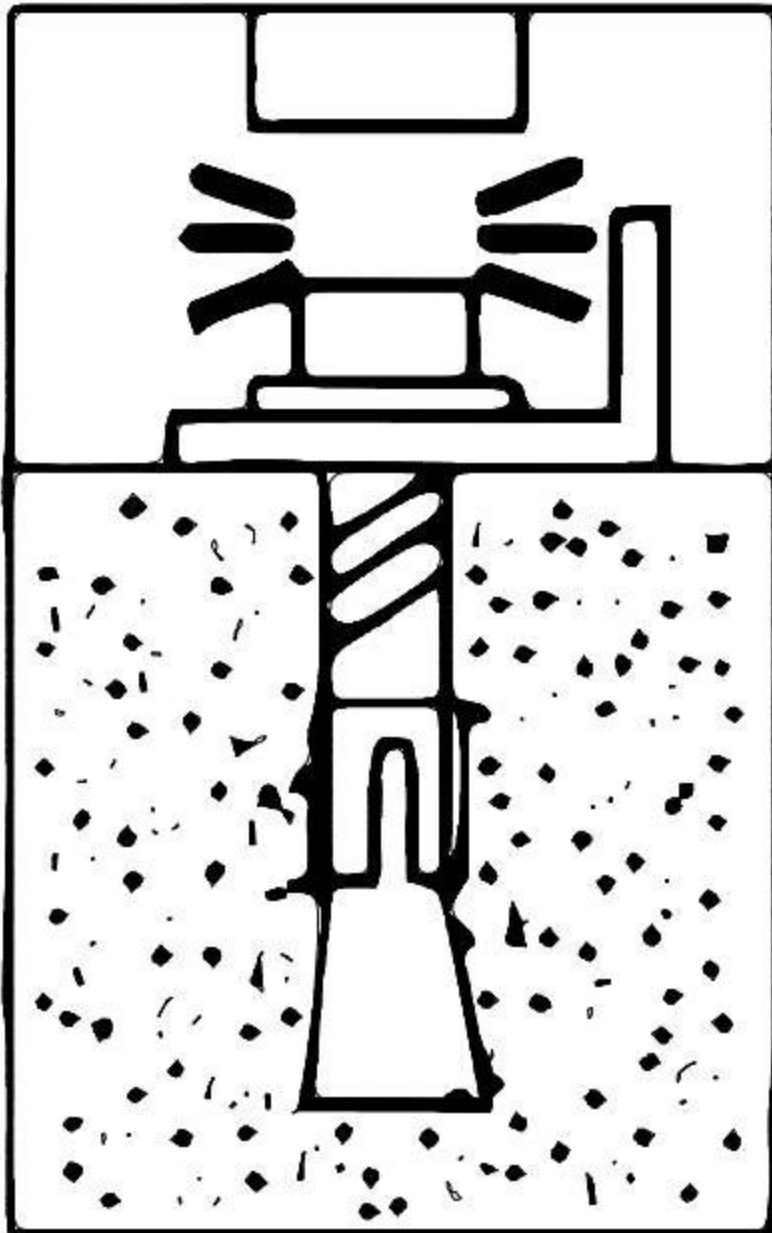
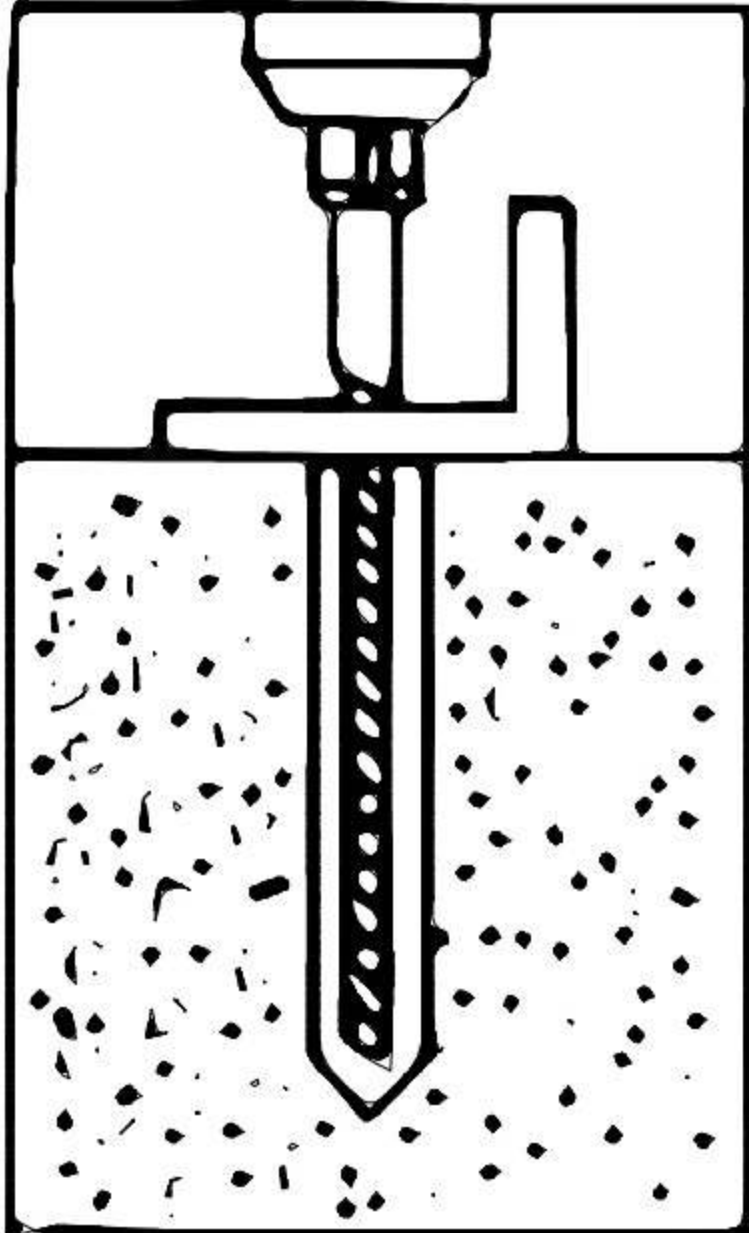
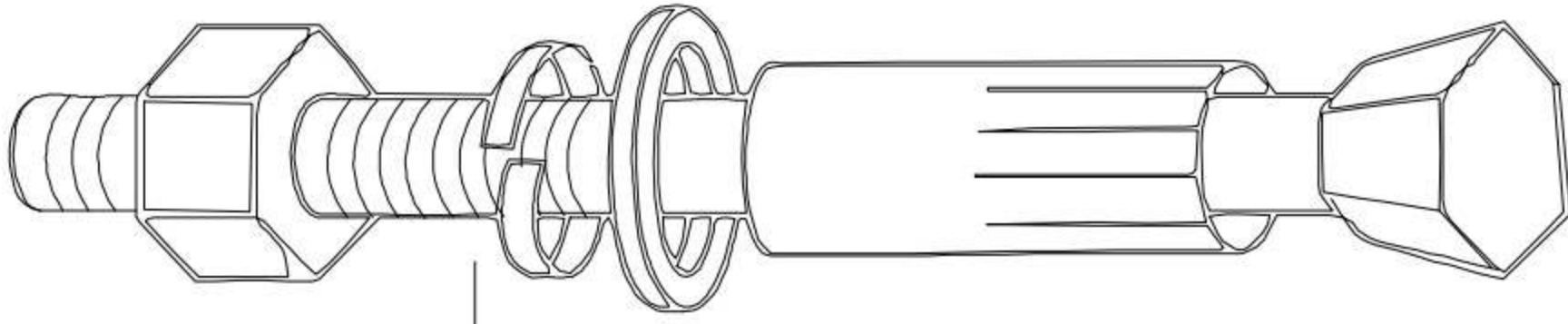
Install the Anchor the Carport on the ground.

Notice:  
The linking screws in this step are all: Expansion screws

#G3		X24
-----	---	-----



# #G3





**Technical Support and E-Warranty Certificate**  
**[www.vevor.com/support](http://www.vevor.com/support)**

# VEVOR

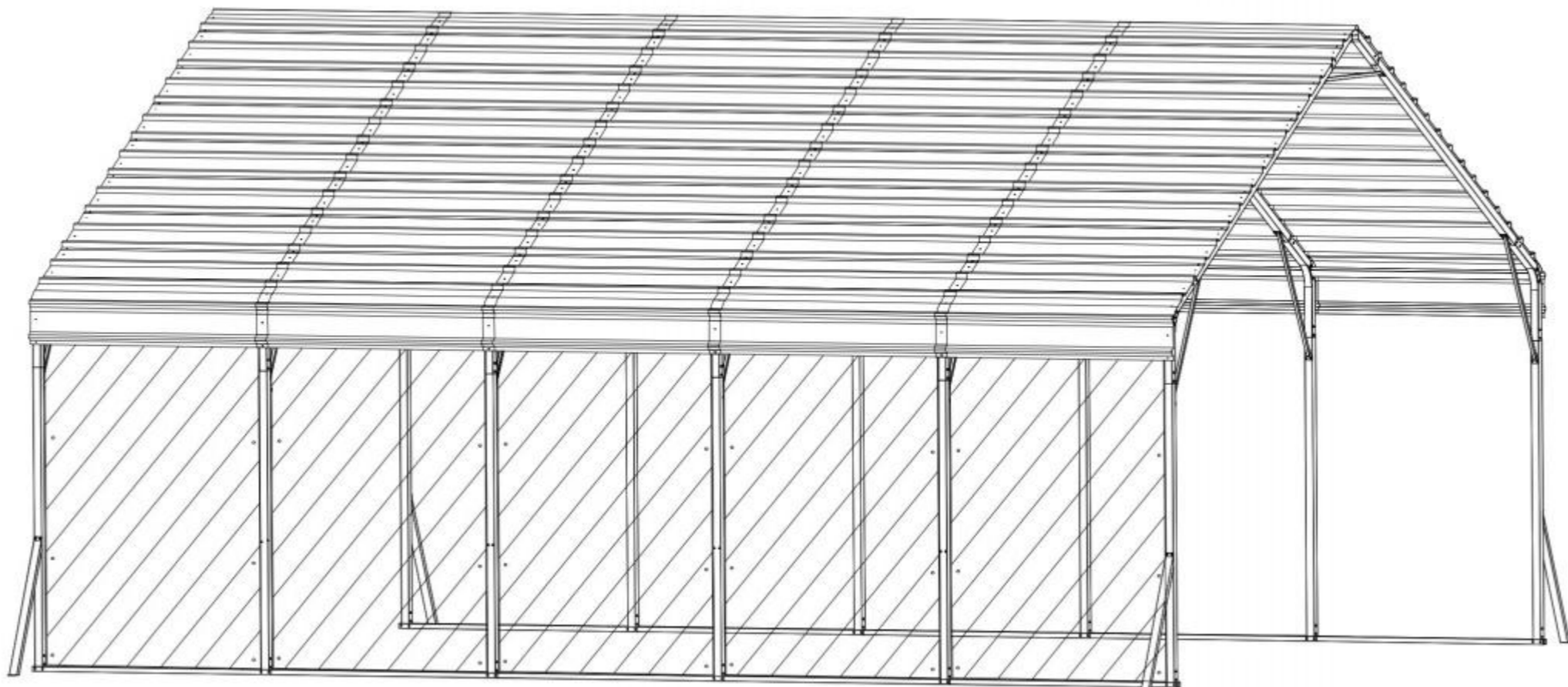
Betaalbaar. Betrouwbaar. Huisverbetering.

Zwaar Carports voor de dienst  
Model: KD-TPQC-007-20x24ft

**Technical Support and E-Warranty Certificate**  
[www.vevor.com/support](http://www.vevor.com/support)

# CARPORT INSTALLATION INSTRUCTION

Model : KD - TPQC -007-20x24 ft



Dit is de origineel instructie , Alsjeblieft lezen alle handmatig instructies voorzichtig voor operationeel . VEVOR reserves A duidelijk interpretatie van ons gebruiker handleiding . De verschijning van de product zullen zijn onderwerp naar de product Jij ontvangen . Alsjeblieft vergeven ons Dat Wij zal niet informeren Jij opnieuw als daar Zijn elk technologie of software bijgewerkt op ons product .

***IMPORTANT! PLEASE READ THIS INSTRUCTION CAREFULLY BEFORE INSTALLATION.***

1. Have at least two adults during installation. Read all instructions carefully and follow it accordingly. Failure to do so may result to injury or damage to the carport.
2. Never set-up the product in rainy, windy or stormy conditions, especially lightning storms.
3. Keep your carport off of the steep slopes and inclination.
4. After installation ,the carport should be anchored to prevent damage and possible injury. It is the user`s responsibility to properly anchor the product.
5. Always inspect the carport and each part before use. Make sure that everything is tightly secured. Replace any worn, defective missing parts.
6. For a better installation and use experience, it is recommended to bring your own ladder, scissors, electric drill and glass glue.

## VEILIGHEID INSTRUCTIES

### WAARSCHUWING :

Lees dit materiaal voor met behulp van dit product. Als u dit niet doet, kan resultaat in ernst blessure.

### Voorzorgsmaatregelen bij de montage

1. Assemble alleen volgens naar deze instructies . Onjuist assemblage kan creëren gevaren.
2. Draag ANSI - goedgekeurd veiligheid bril En zwaar - belastbaar werk handschoenen tijdens montage .
3. Houd de montage gebied schoon En goed verlicht .
4. Houd omstanders uit van de gebied tijdens montage .
5. Do niet monteren als moe of wanneer onder de invloed van alcohol , drugs of medicatie .
6. De product mogelijkheden toepassen naar op de juiste manier En volledig Alleen geassembleerde producten.
7. Assemble op A vlak , waterpas , hard En zacht oppervlak geschikt van het veilig ondersteunen van de Houten Halboom.
8. Voor aanvullend informatie met betrekking tot de onderdelen vermeld in de volgende pagina's, Alsjeblieft verwijzen naar de Montage Diagram hiervan handmatig. Uitpakken en scheid alles onderdelen in een schoon werk gebied.

### Gebruik voorzorgsmaatregelen

- 1.DO NIET ZITTEN OF STAAN OP DEZE ITEM.
- 2.Dit product is geen speelgoed. Doen kinderen niet toestaan spelen met of in de buurt van dit item.
3. Do niet overschrijden gespecificeerd gewicht capaciteiten .
4. Gebruik alleen op A vlak , waterpas , moeilijk , en zacht oppervlak Dat kan veilig ondersteunen A volledig geladen Houten Hal Boom .
5. Gebruik als alleen bedoeld.
6. Inspecteren voor elke gebruiken; doen niet gebruik als onderdelen los zitten of beschadigd.

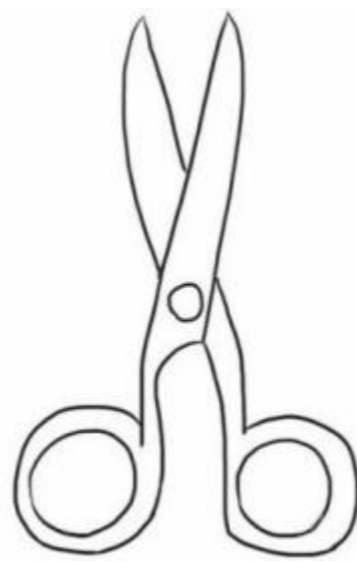
BEWAAR DIT HANDMATIG

## BELANGRIJK! ALSJEBLIEFT LEES DIT INSTRUCTIE ZORGVULDIG VOOR INSTALLATIE.

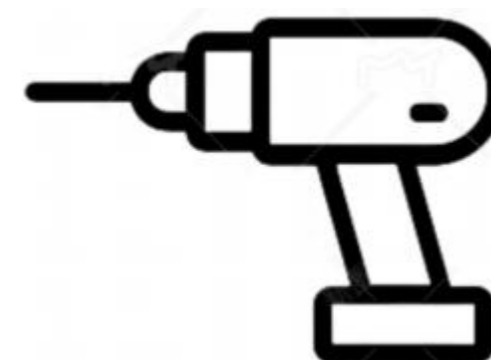
1. Installatie vereist bij minimaal twee volwassenen. Lees alles instructie s zorg- volledig en volg het dienovereenkomstig. Als dat niet lukt kunnen resultaat in letsel of schade naar de carport .
2. Nooit instellen omhoog de product in regenachtige, winderige of stormachtige omstandigheden , es- speciaal verlichting storm en.
3. Houd uw carport uit de buurt van steile hellingen en helling.
4. Na de installatie moet de carport worden verankerd naar voorkomen schade en mogelijk blessure. Het is de gebruiker verantwoordelijkheid voor op de juiste manier verankeren de product.
5. Altijd inspecteer de carport en elk deel voor gebruik . Maken Zeker dat alles goed vast zit. Vervang alle versleten, defect vermist onderdelen.
6. Voor een betere installatie- en gebruikservaring, Het is aanbevolen naar neem je eigen ladder, schaar, elektrisch gereedschap mee oefening En glas lijm.



Ladder













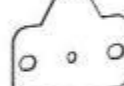
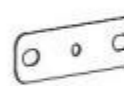
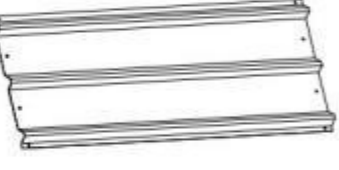



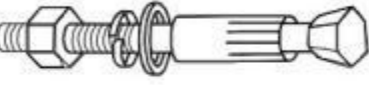

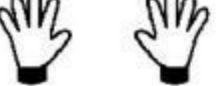




Schaar







Elektrische  
boormachine

# PACKAGE CONTENTS

This carport is packed in 5 boxes. Before the installation, please check all the parts according to the part list. If there is any part missing or defective, please contact us immediately to get replacement parts.

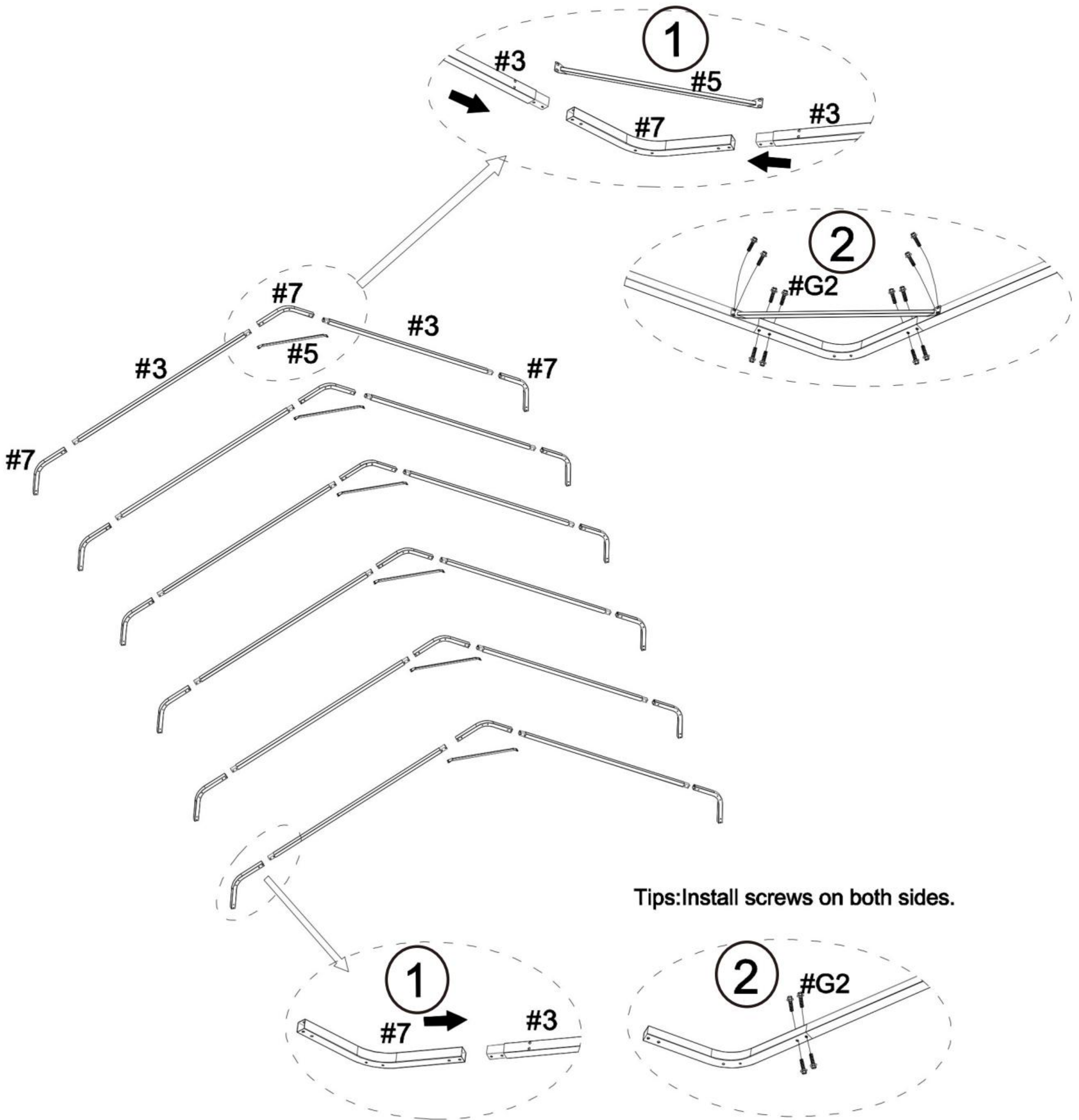
<b>Part No.</b>	<b>Part Name</b>	<b>Drawing</b>	<b>Qty</b>
#1	Side pole 1		10PCS
#2	Side pole 2		5 PCS
#3	Straight peak pole		12 PCS
#4	Leg pole		12 PCS
#5	Top Reinforcing pole		18 PCS
#6	Ground bar 1		8 PCS
#6a	Ground bar 2		2 PCS
#7	Connector		18 PCS
#8	Ground Reinforcing pole		4 PCS
#9	Side-side defense pole		10 PCS
#10	Side plate 1		3 PCS
#11	Side plate 2		4 PCS
#R	Roof cover		85 PCS
#G1	M5X20 Self-Tapping screws		322PCS
#G1a	M5X25 Self-Tapping screws		24 PCS
#G2	Socket head bolt		314 PCS
#G3	Expansion screws		26 PCS
#G4	Socket head bolt & Nut		38 PCS
#L	Gloves		2 pairs
#Y1	Waterproof tape		8 PCS
#Y2	Anti-cut tape		20 M
#Y3	Enclosure		5 PCS
#Y4	Beads of rope		60PCS

# STEP 1: Assemble the Top Frame




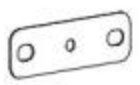

#3		X12
#5		X6
#7		X18
#G2		X120

**Notice:**

The linking screws in this step are all: Socket Head Bolt (#G2)

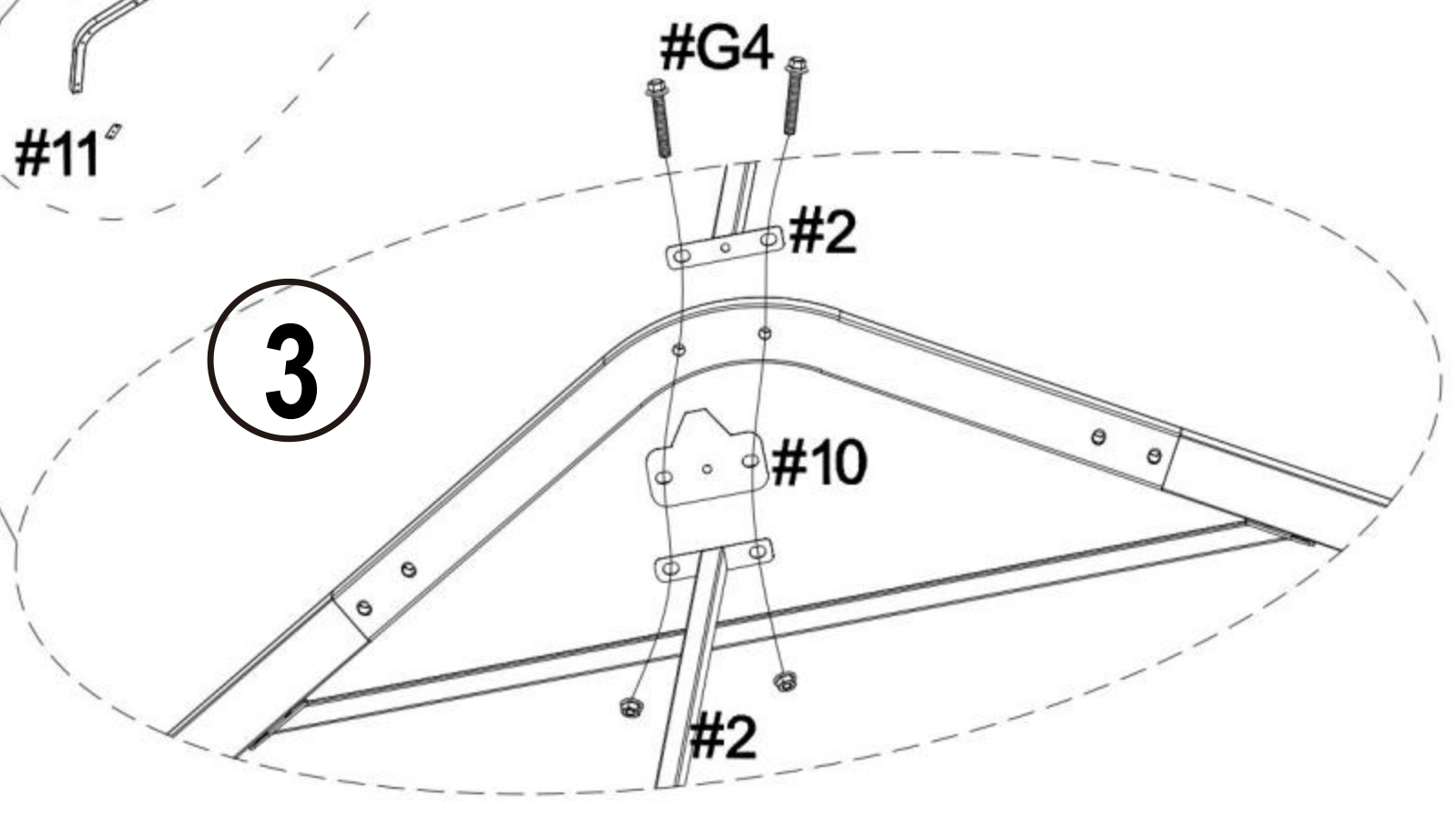
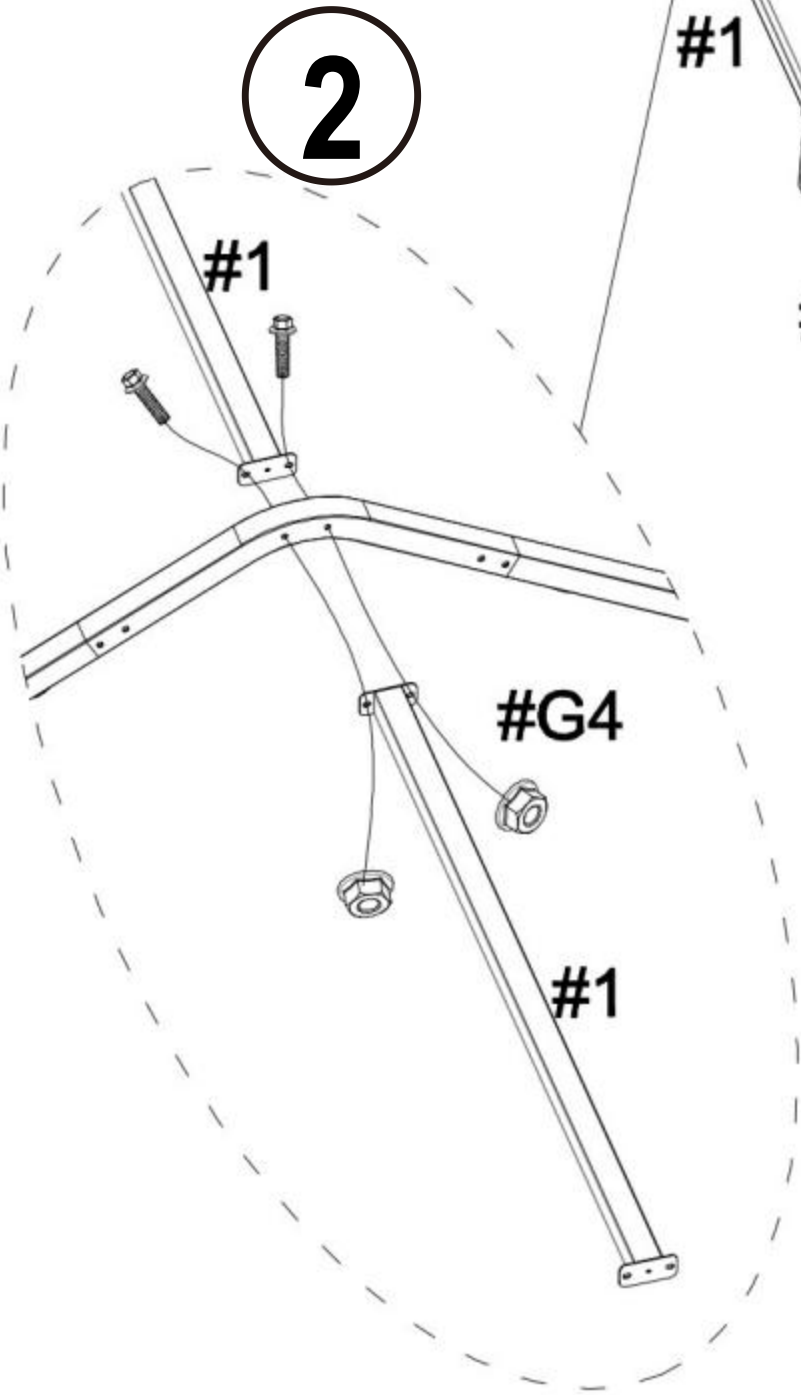
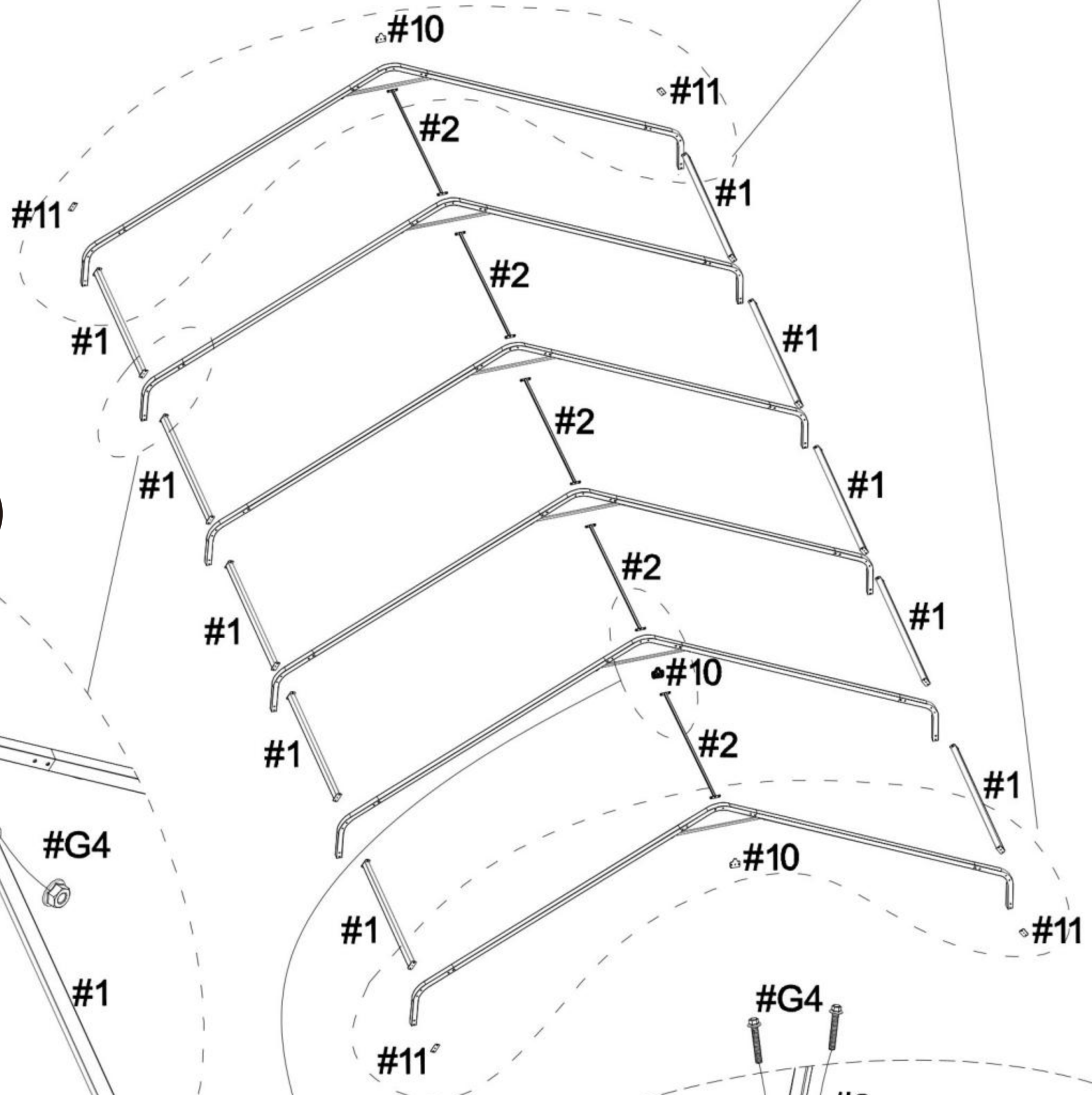
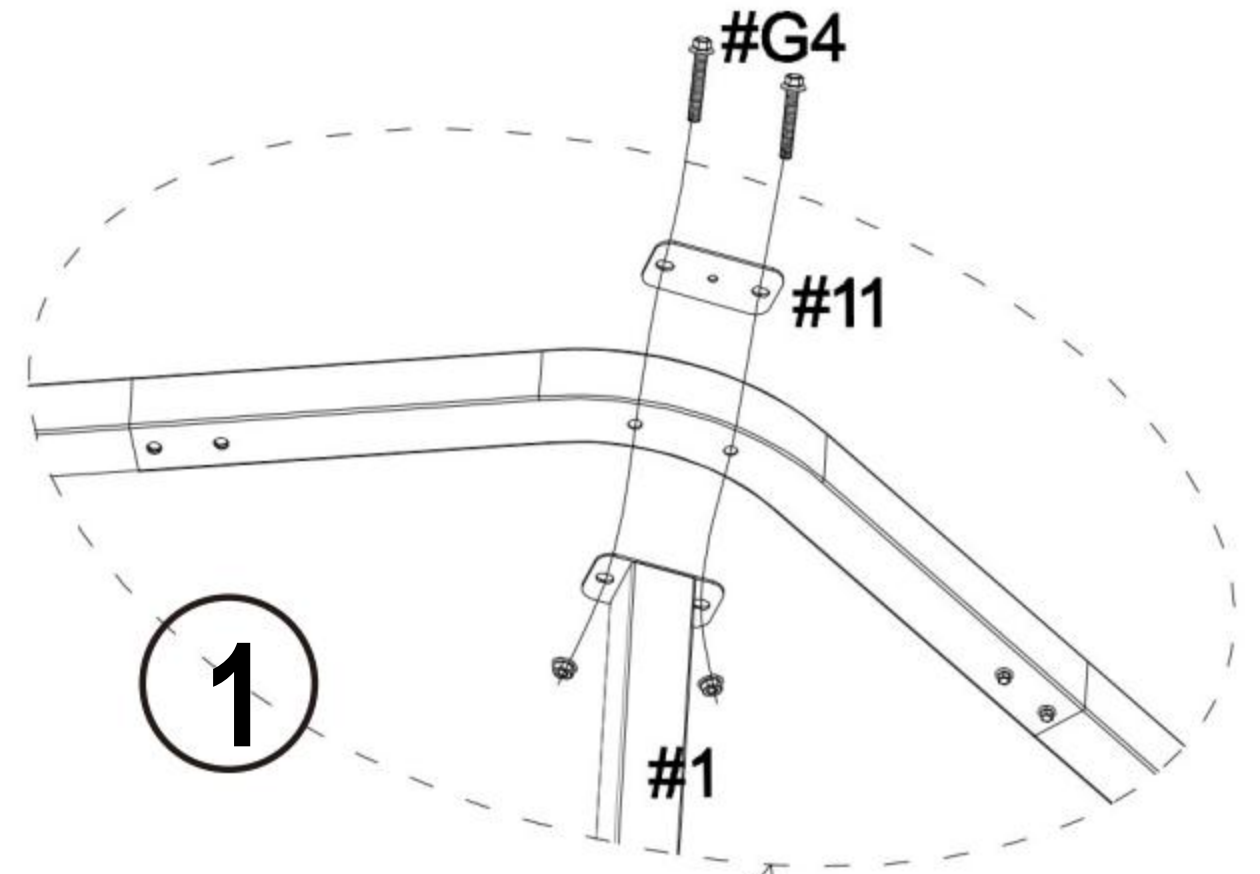


# STEP 2:

#1		X10
#2		X5
#10		X3
#11		X4
#G4		X36

**Notice:**

The linking screws in this step are all: Socket Head Bolt (#G4)



## STEP 3: Install the Top Roof

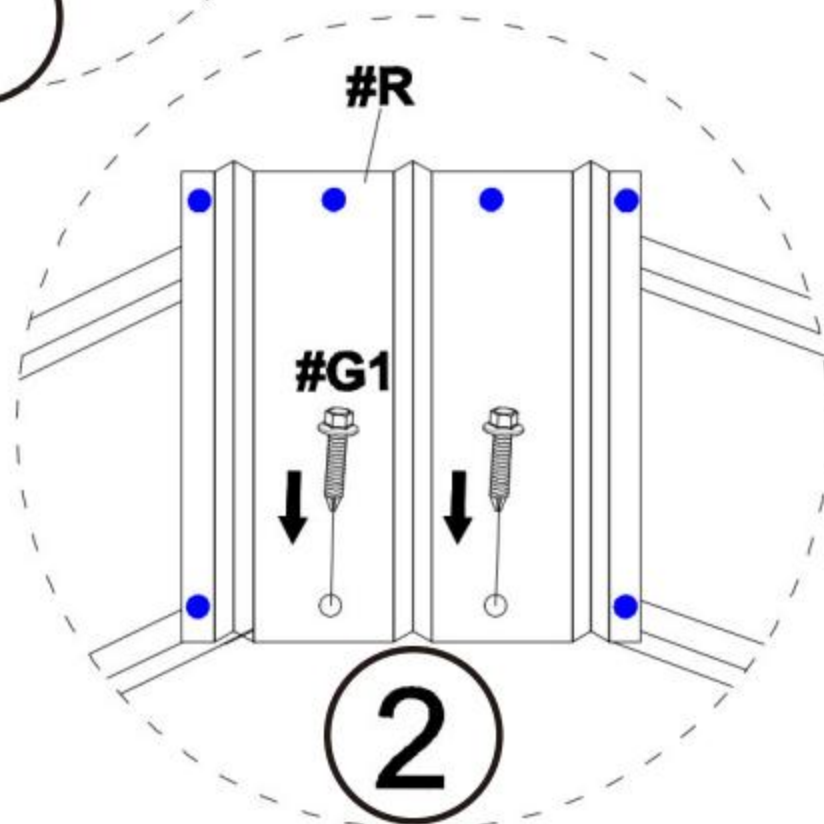
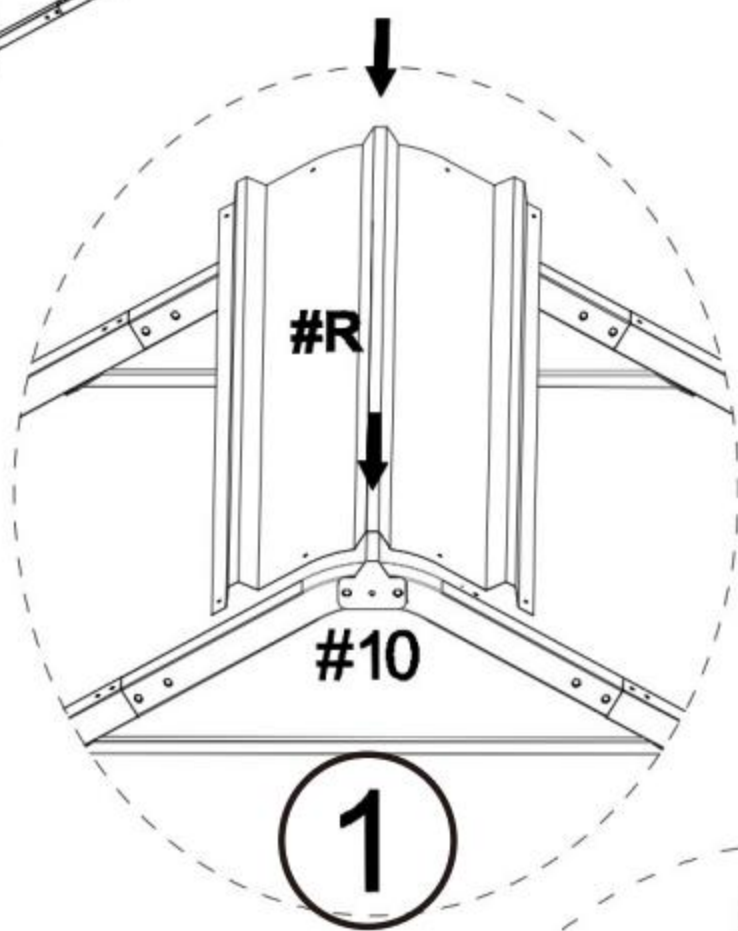
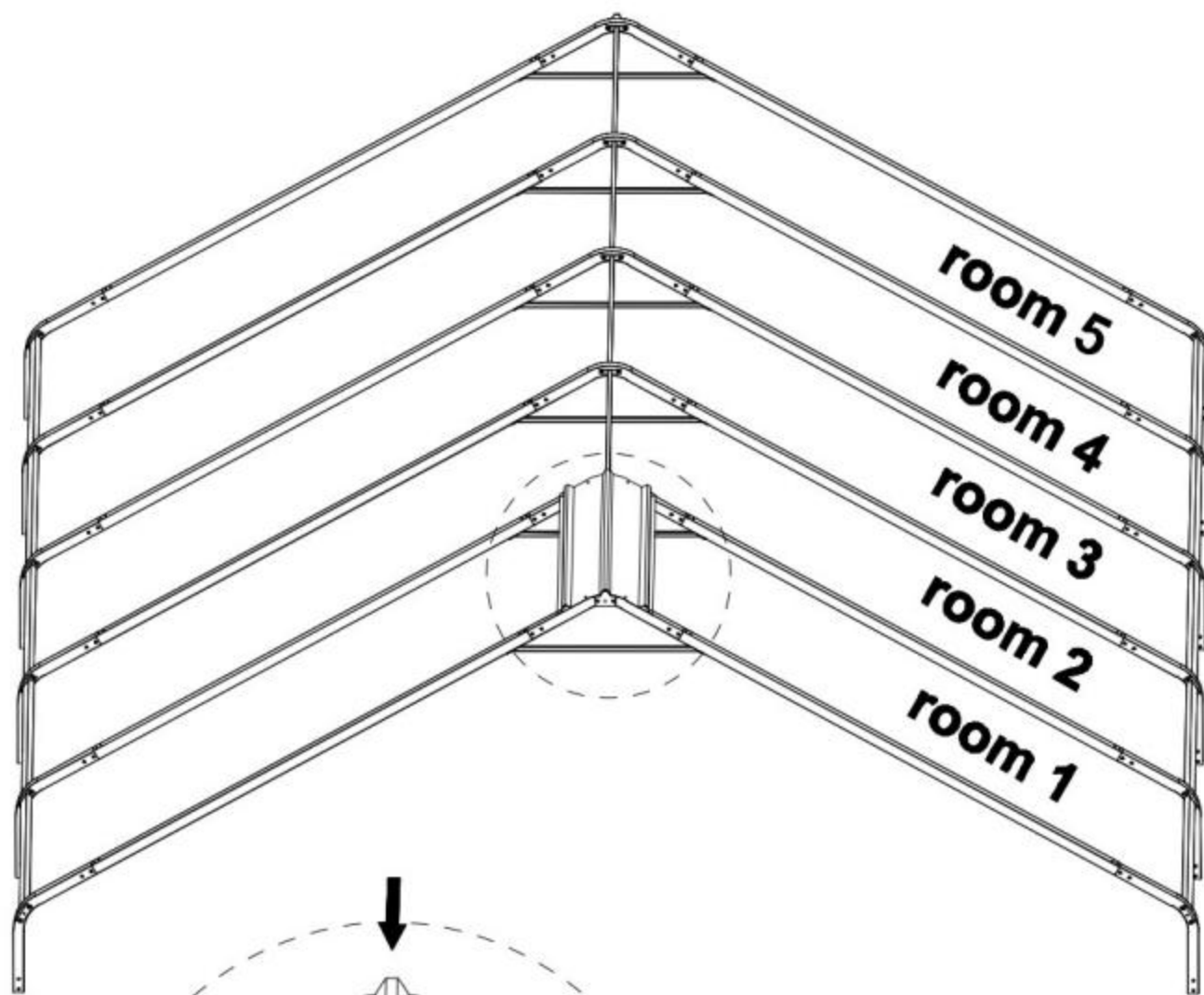
Install all the Roof Cover (#R) to the top frame. The linking screws in this step are all: Self-Tapping Screws (#G1), as shown in the picture.

Notice:




1. The meaning of different colored holes in the Roof Cover (#R);

- Blue hole: no screws here right now.
- Black hole: nonal installation

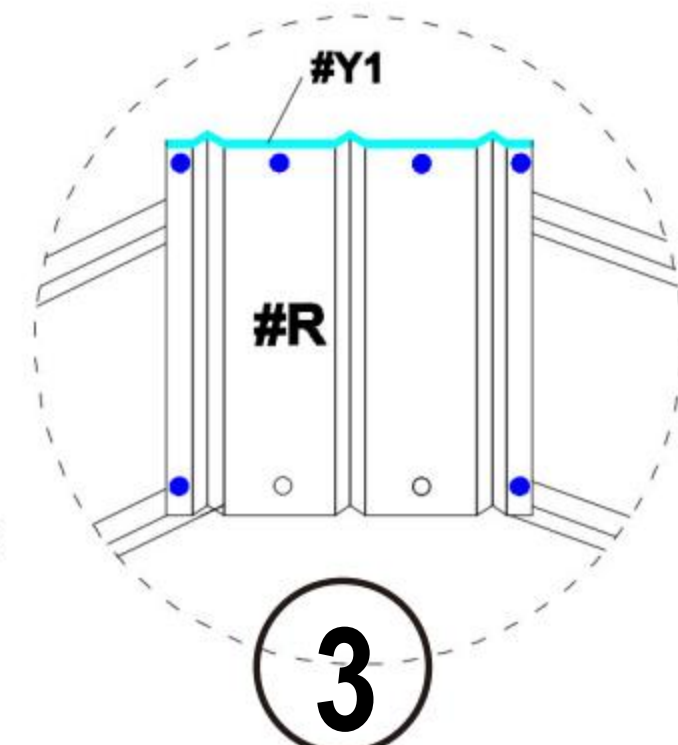
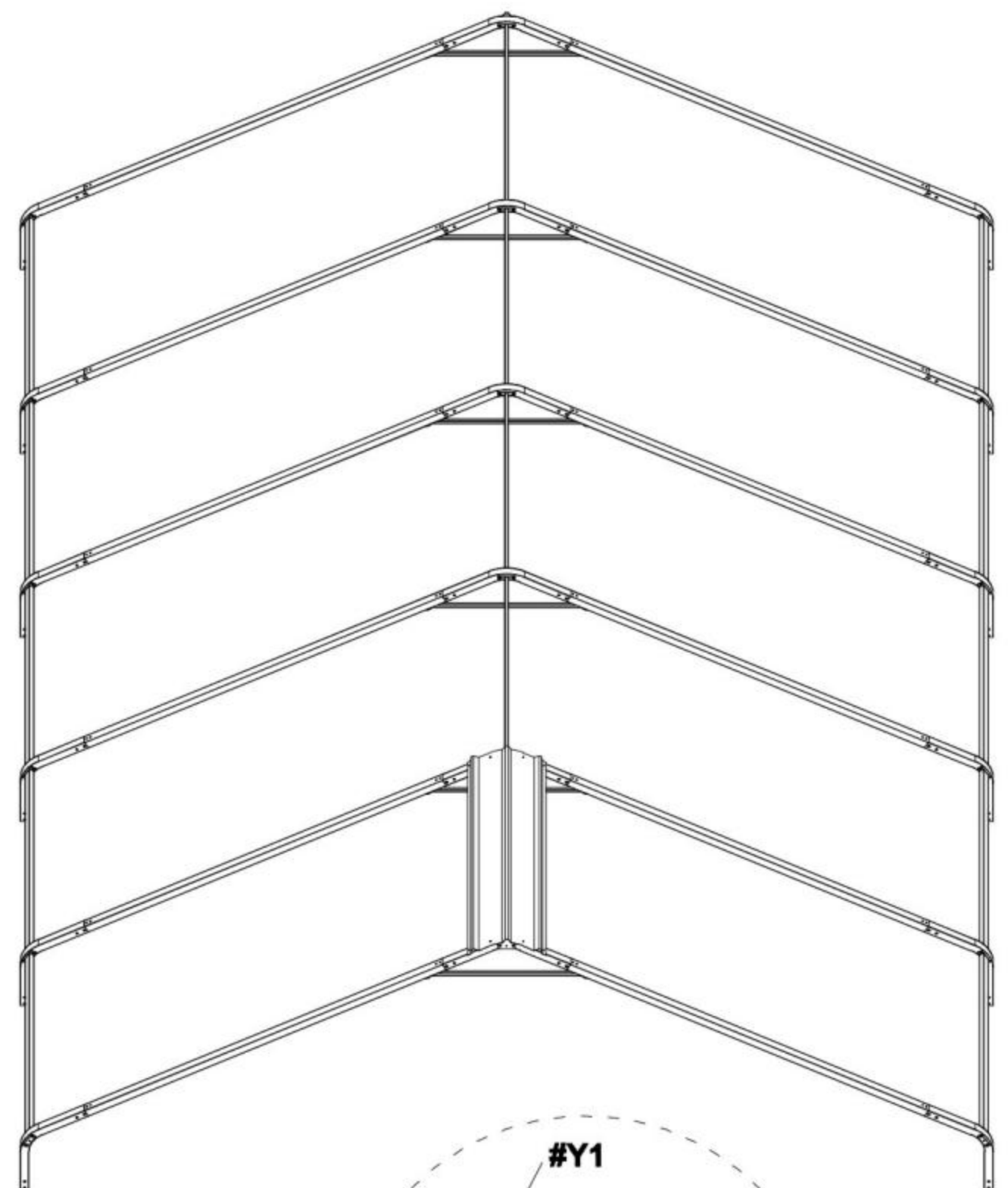
1) Starting from the top middle of room 1 to room 5, install the first row of Roof Covers (#R).



When installing the first piece of roof covering, place the middle slot of the tile at the gasket #10 bump for easy reinforcement with screws

#R		X1
#Y1		X8
#G1		X2




2) When installing each Roof Cover (#R), you need to use Waterproof Tape (#Y1) as shown in the picture.



# STEP 4:

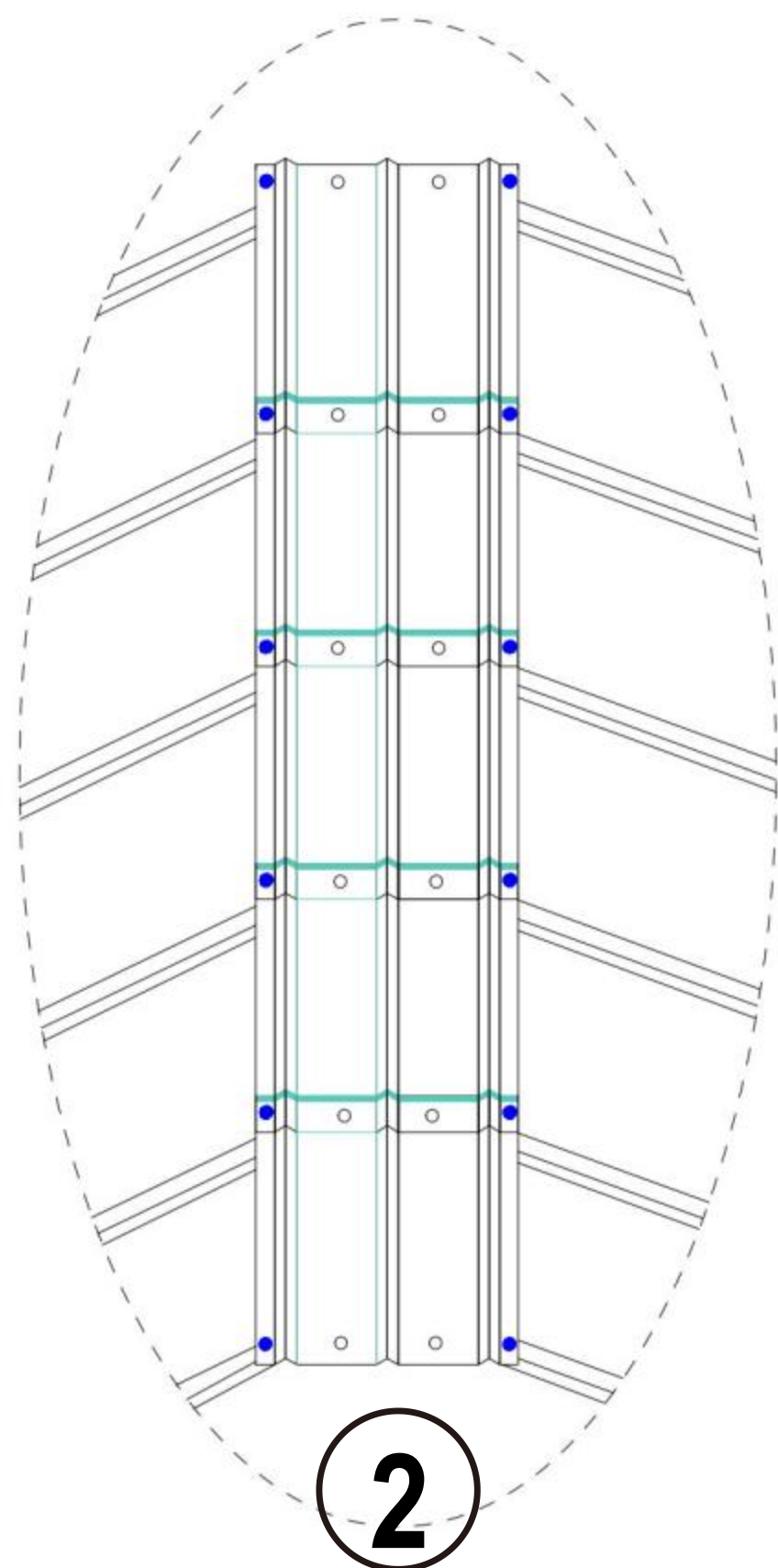
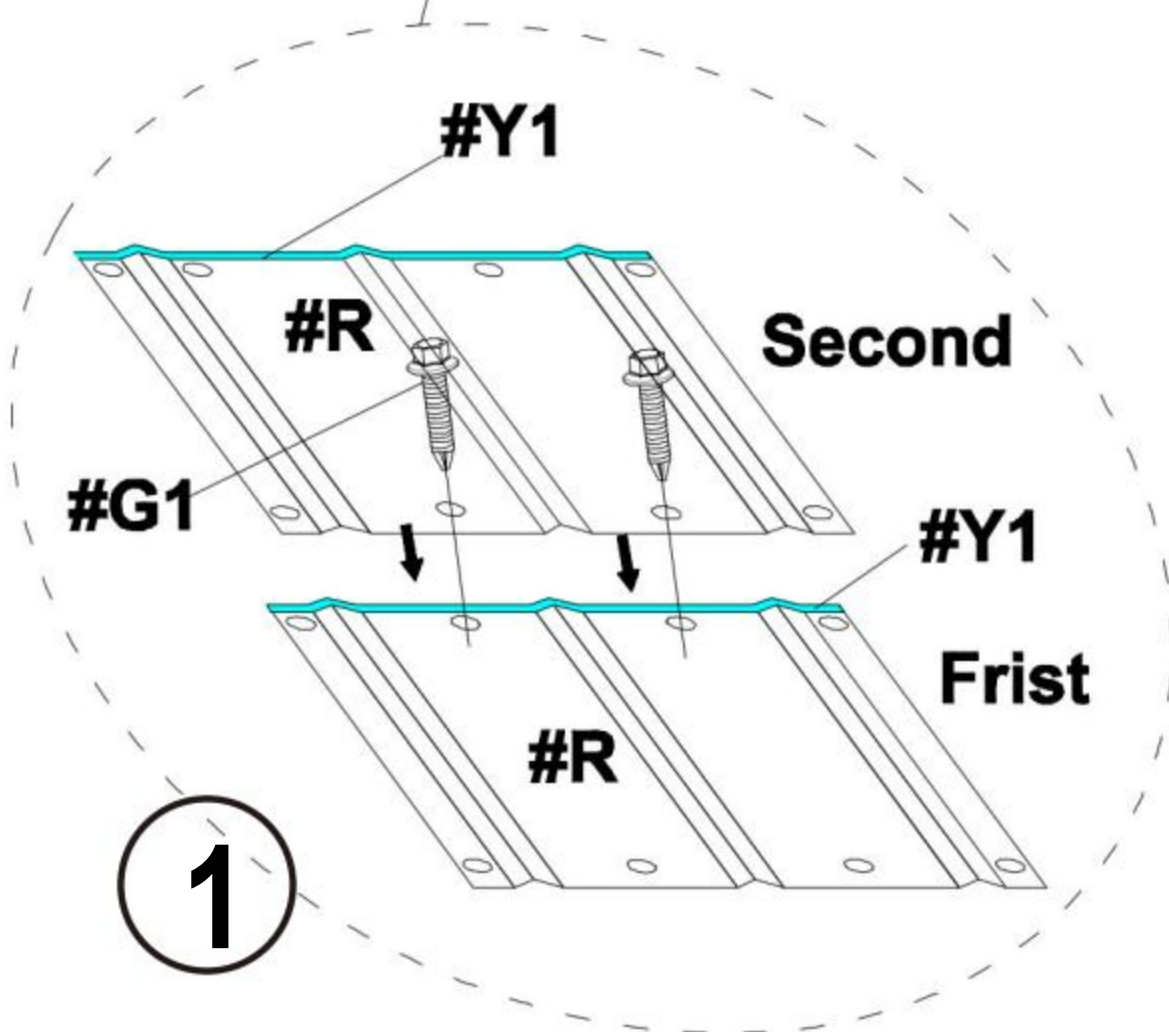
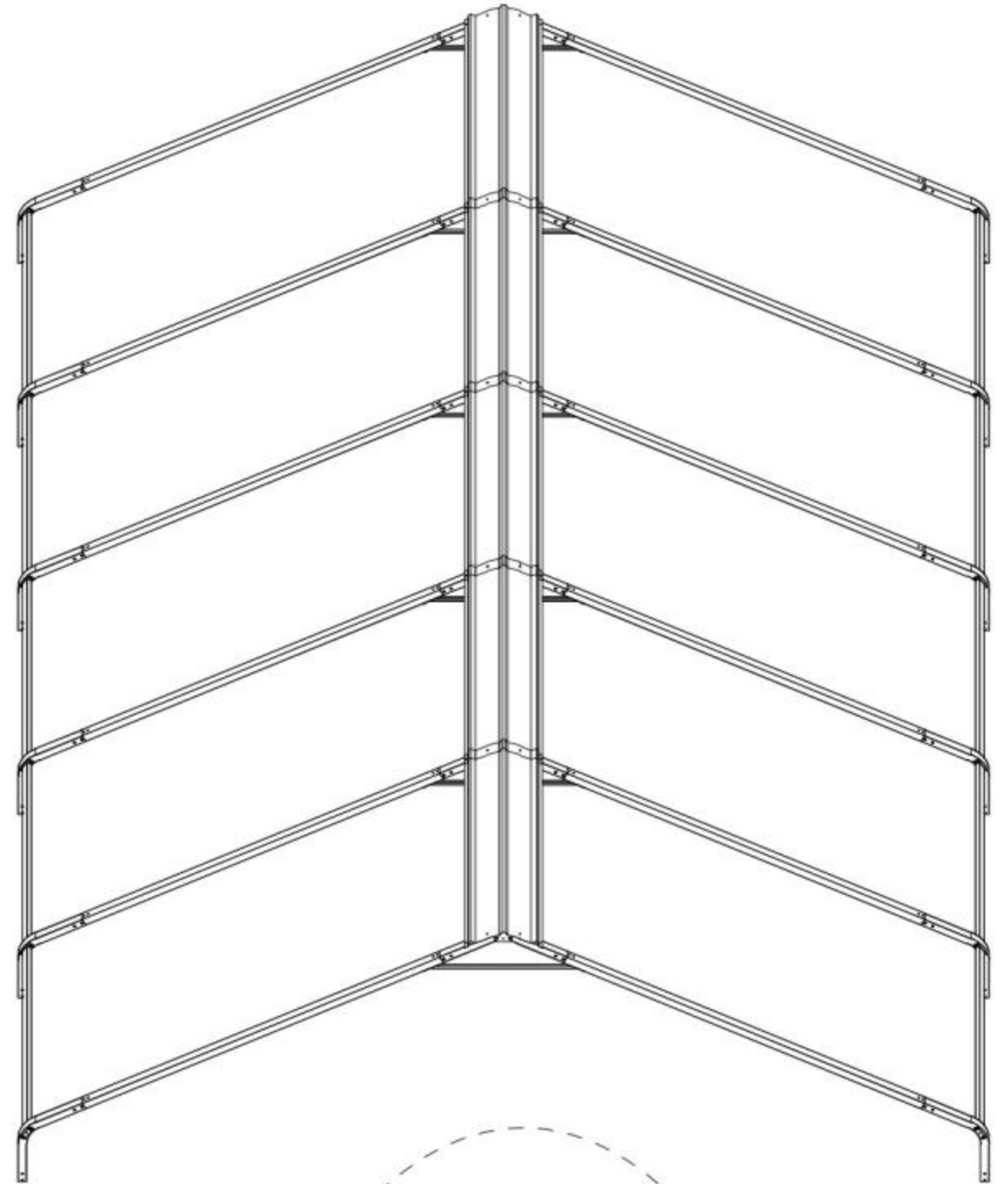
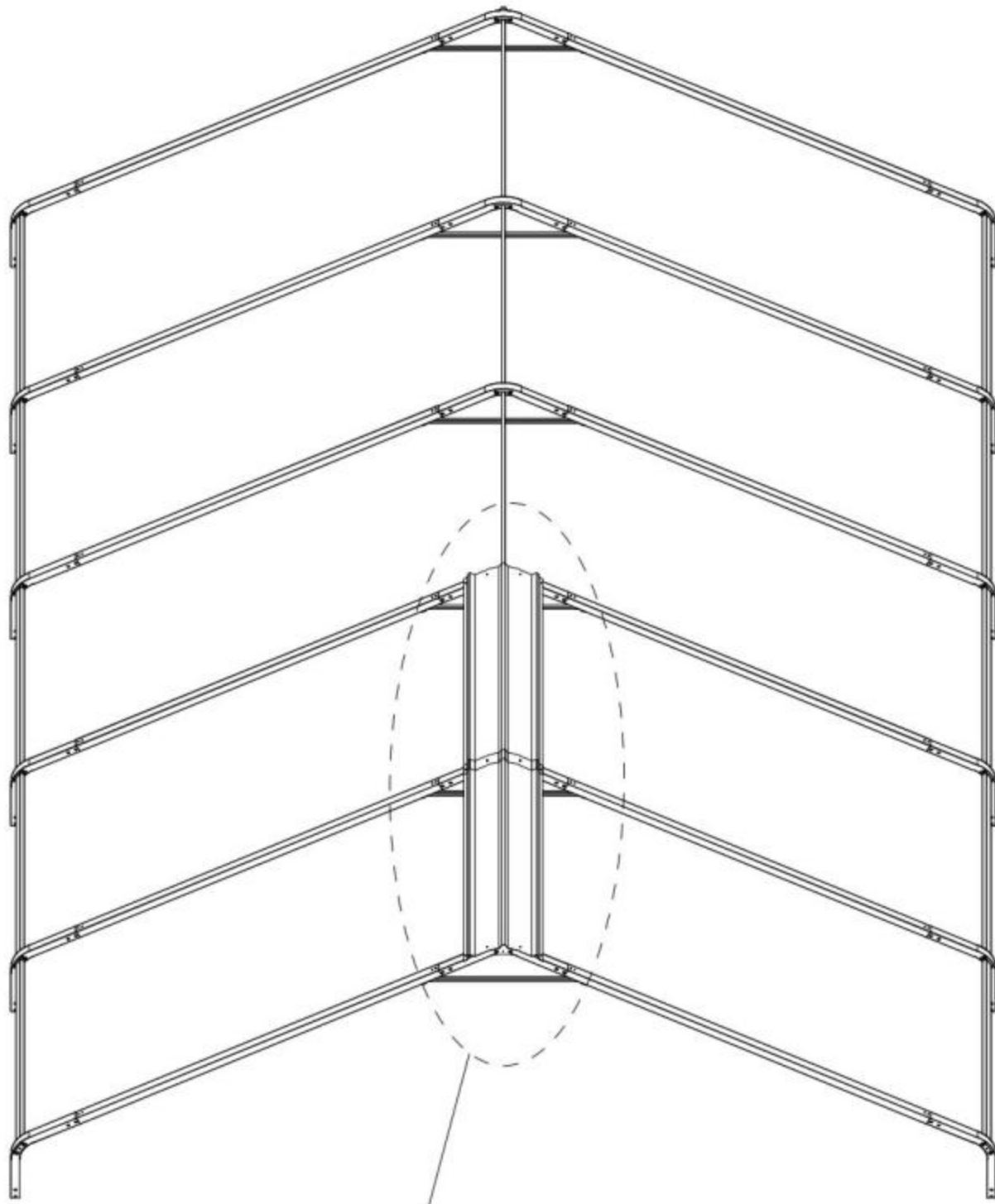
## Notice:

1. Make sure that the screw holes are aligned, and then press the Waterproof Tape (#Y1)
2. Make sure there are no gaps between the two roof covers to prevent water leakage

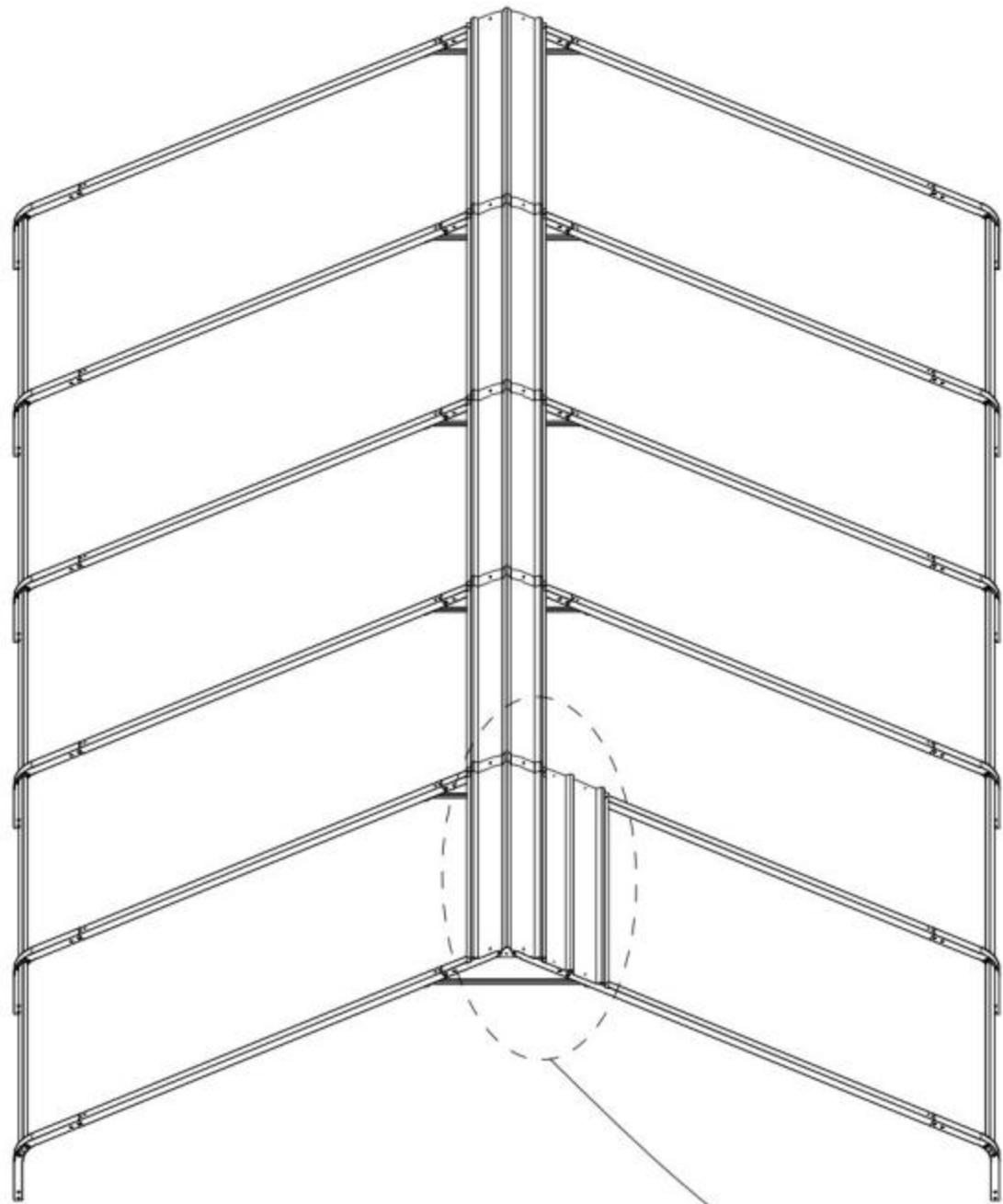
#R		X4
#Y1		
#G1		X10



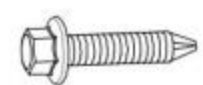
3.1) The second Roof Cover (#R) needs to be placed on the first Roof Cover (#R)

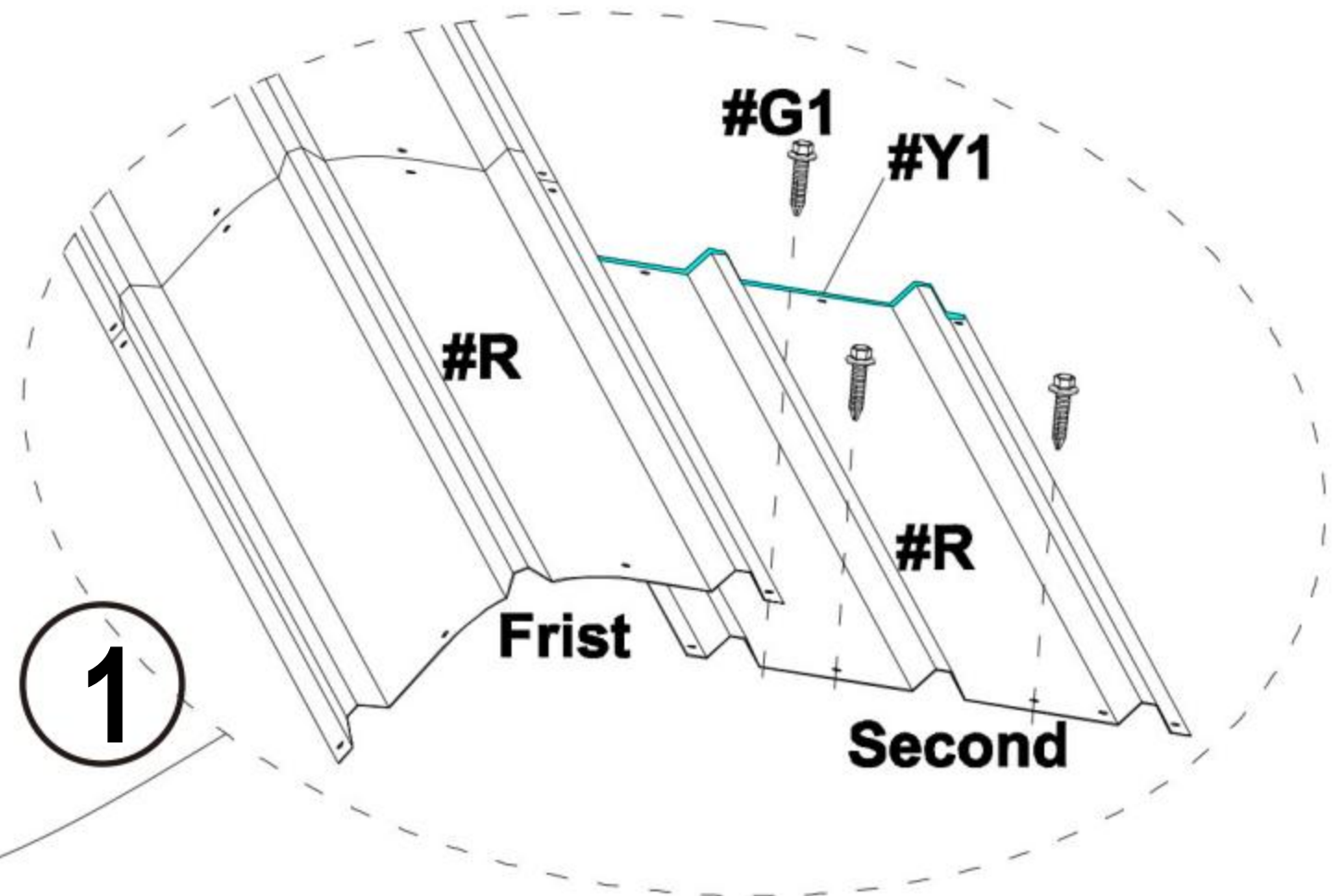
3.2) Follow the previous steps and continue to install the remaining Roof Cover (#R) in the middle row.



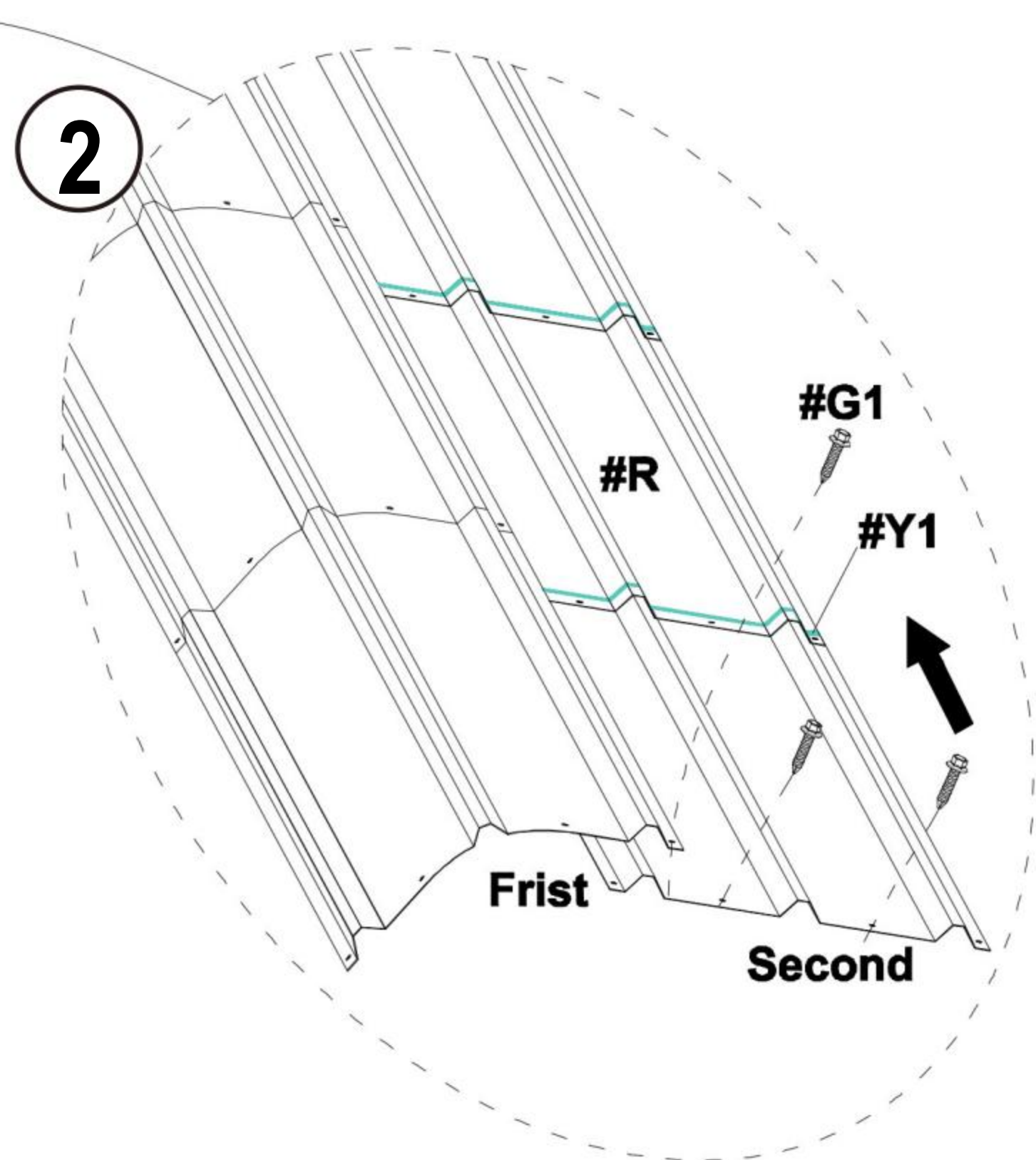
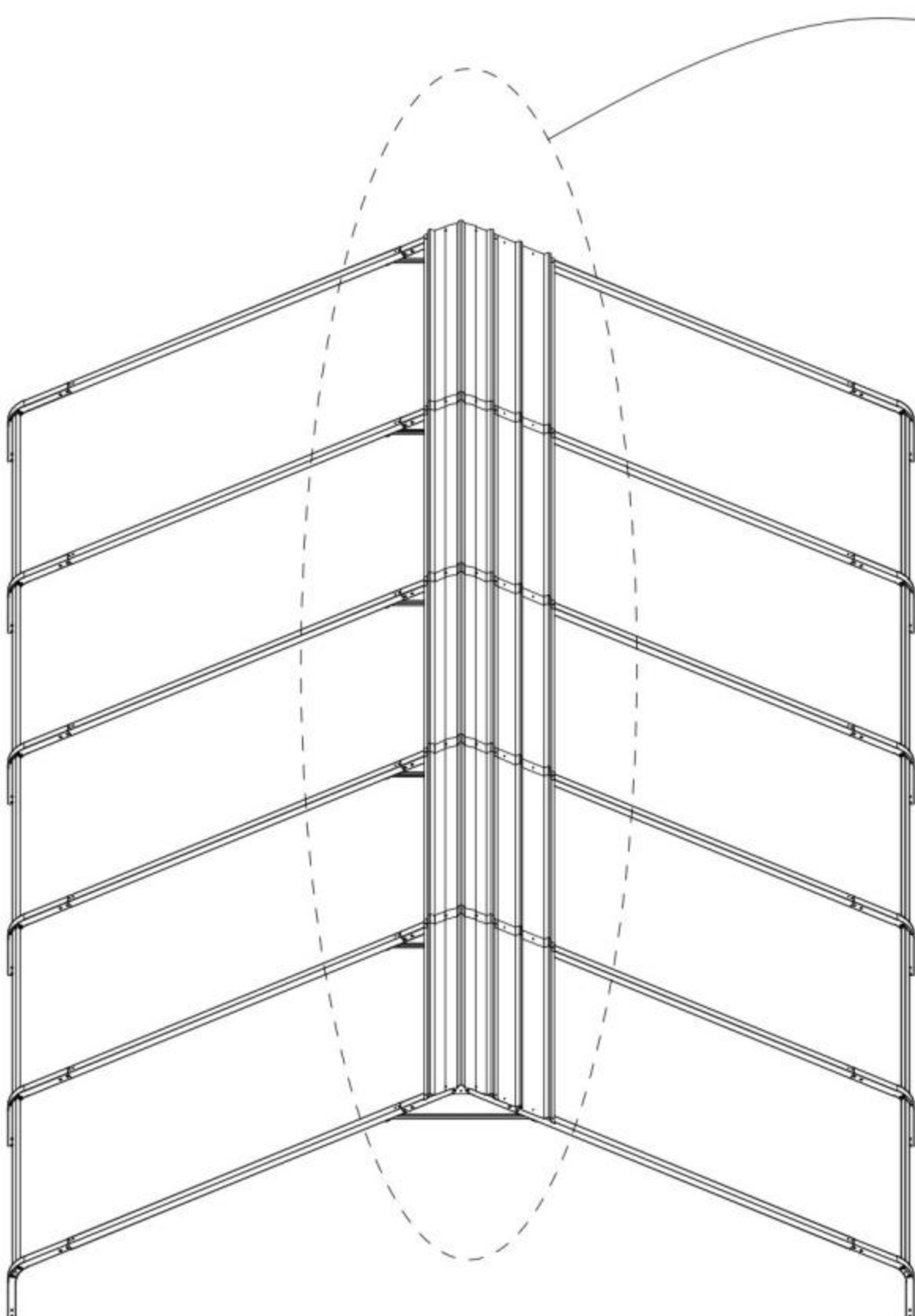
4.1) After installing the middle row, continue to install the 4 rows on the right. Each newly installed Roof Cover (#R) in a row needs to be placed below the Roof Cover (#R) in the previous row, as shown in the picture.






#R		X5
#Y1		
#G1		X18

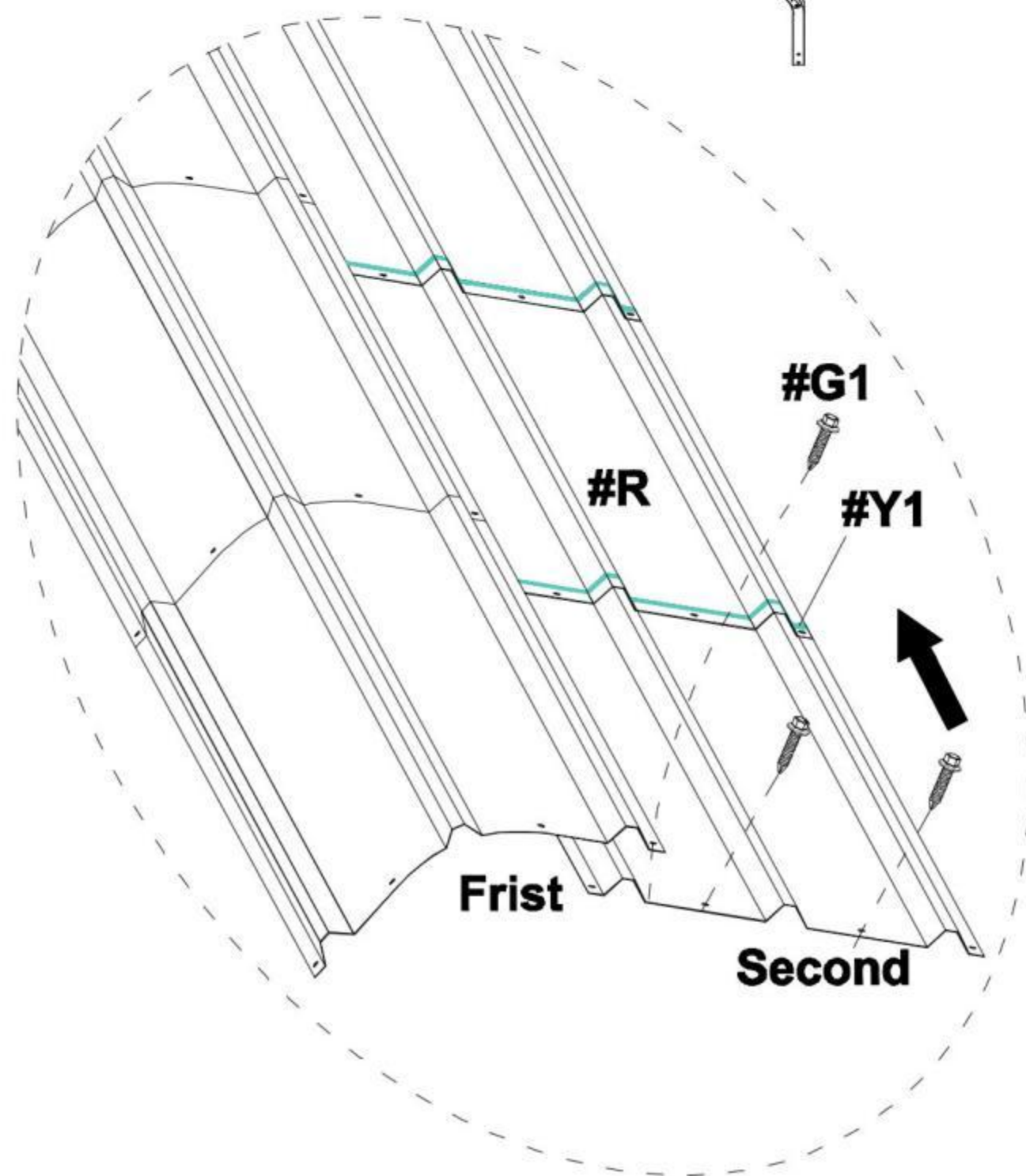
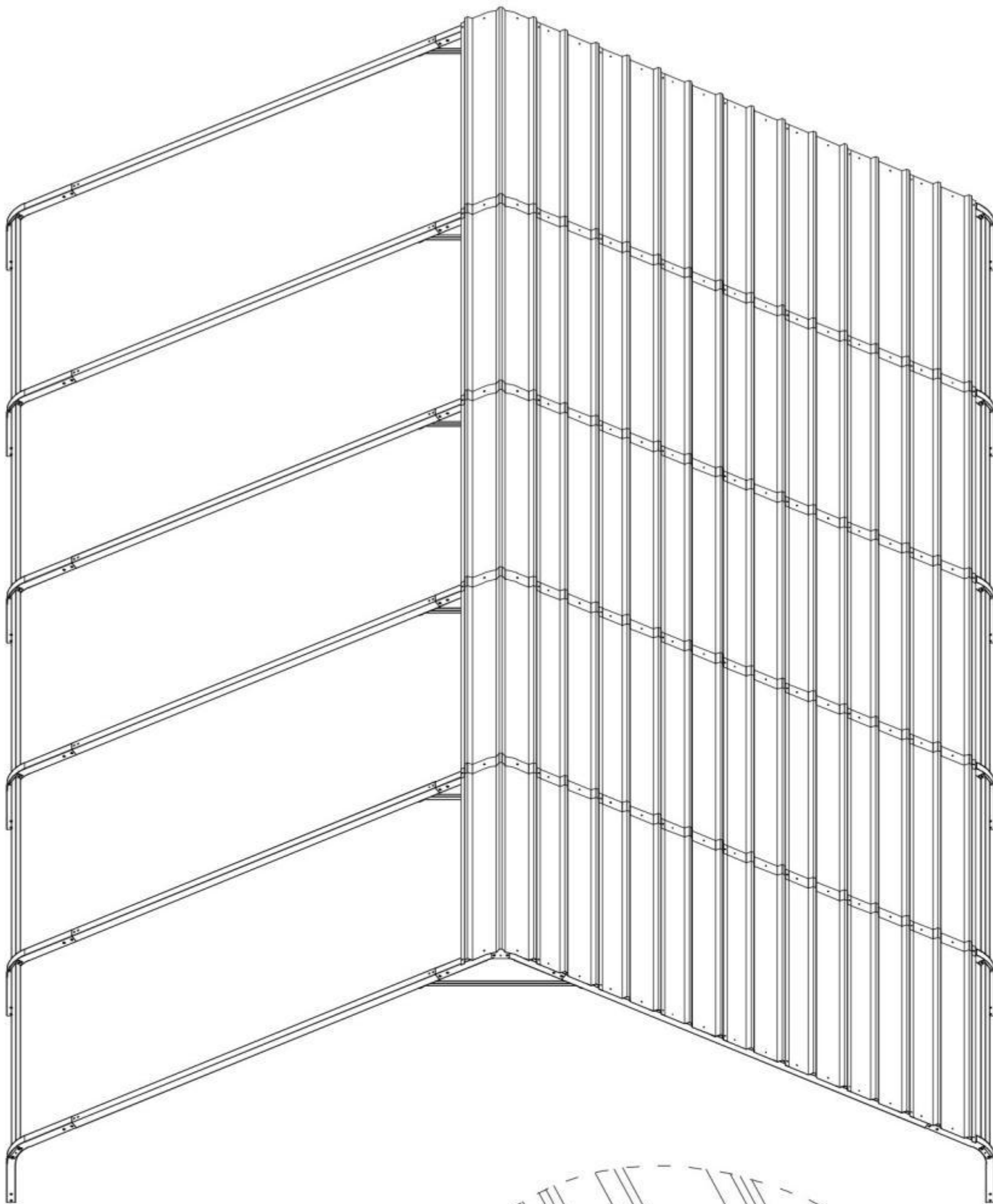


4.2) Same as the previous step, after pasting the Waterproof Tape(#Y1) of RoofCovers(#R),install the next Roof Covers(#R).






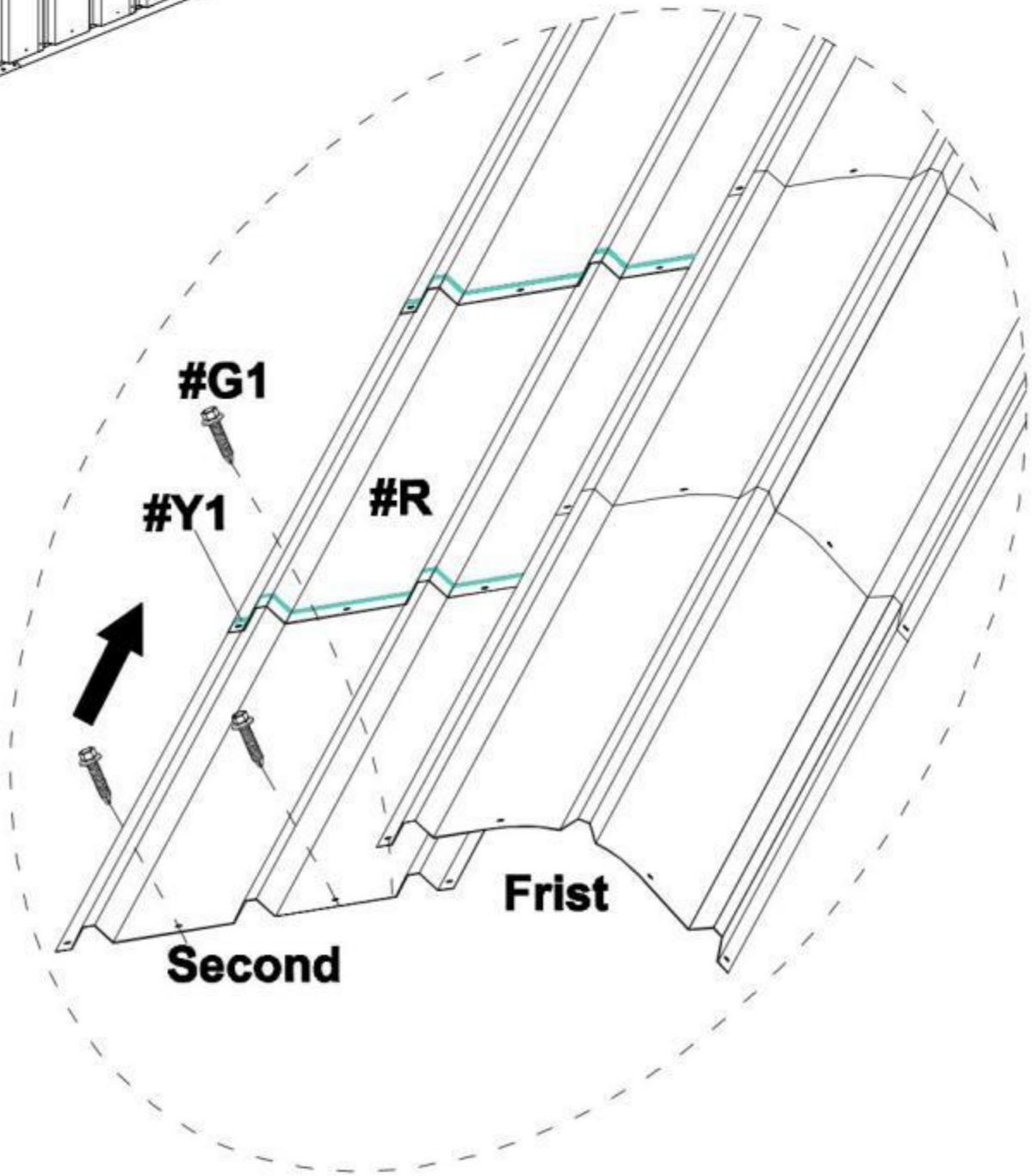
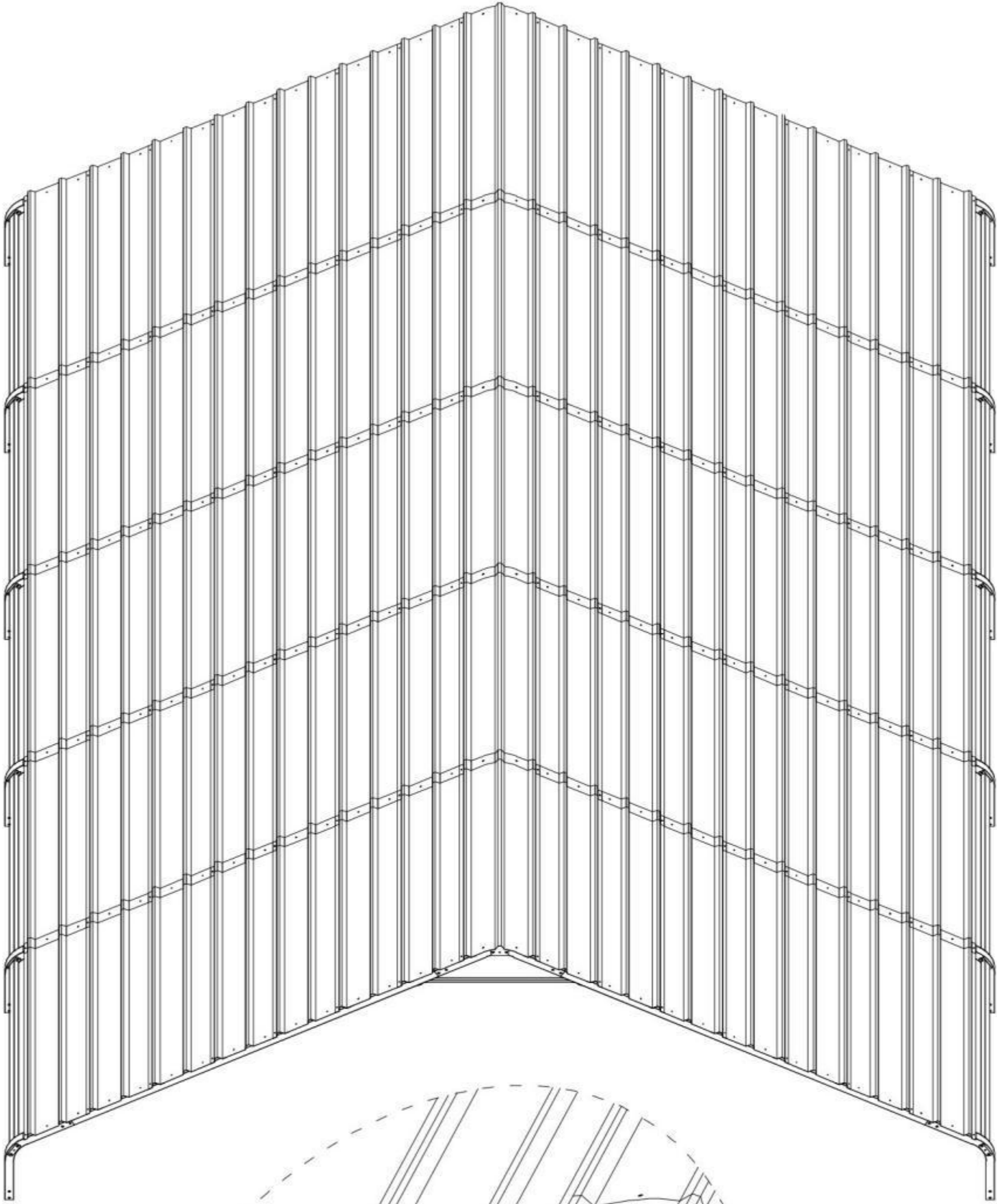
4.3) Follow the previous steps and continue to install the Roof Cover (#R) in the remaining 6 rows on the right.

#R		X30
#Y1		
#G1		X108



5.2) Same as the installation steps for the 6 rows on the right, please complete the installation of Roof Cover(#R) of the 7 rows on the left.

#R		X35
#Y1		
#G1		X126

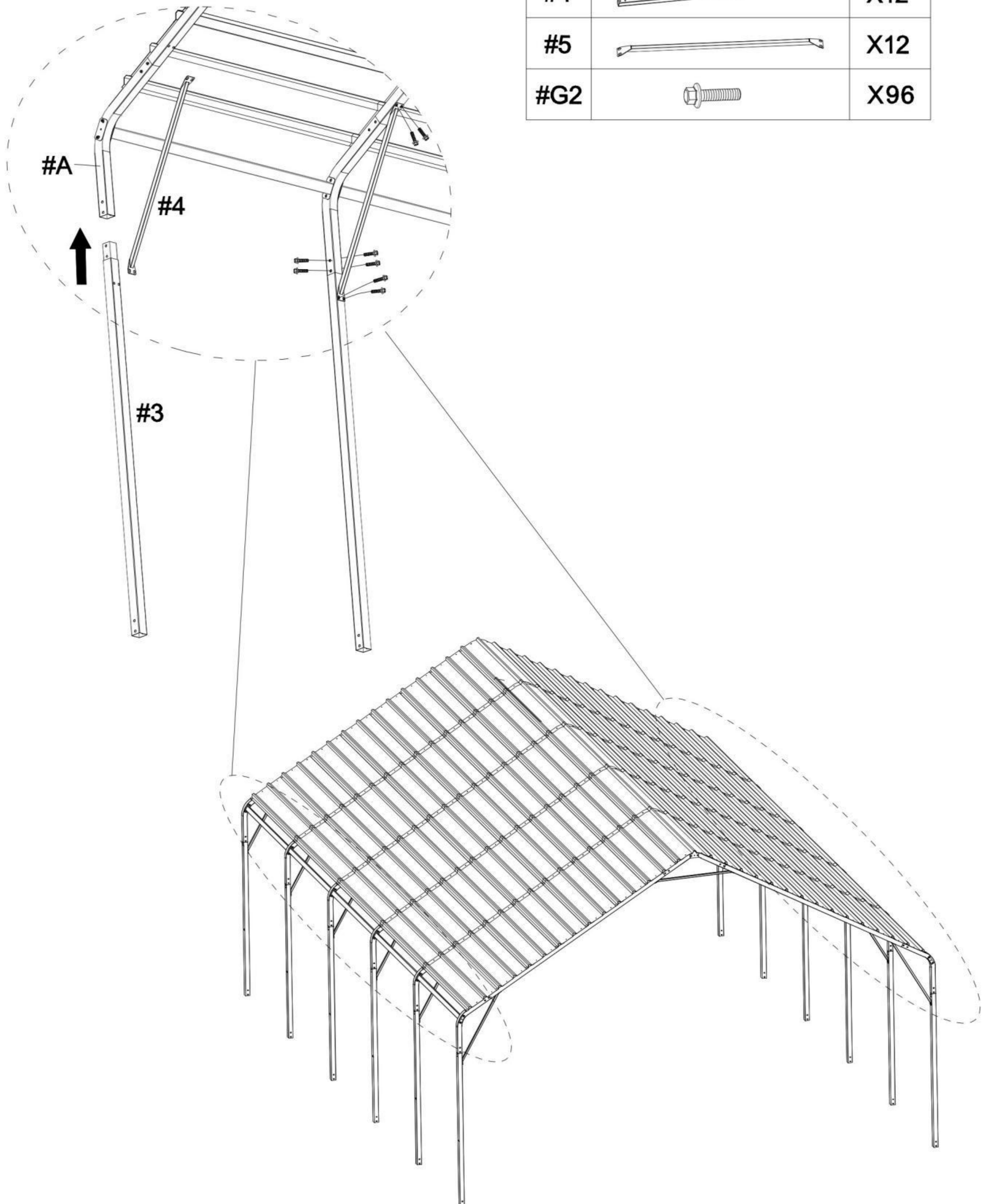


## STEP 5: Connect Legs

1) Install Leg Pole(#4) and Top Reinforcing pole(#5) to the Connector(#7).





2) The linking screws in this step are all: Hex Head Cap Bolt (#G2) .

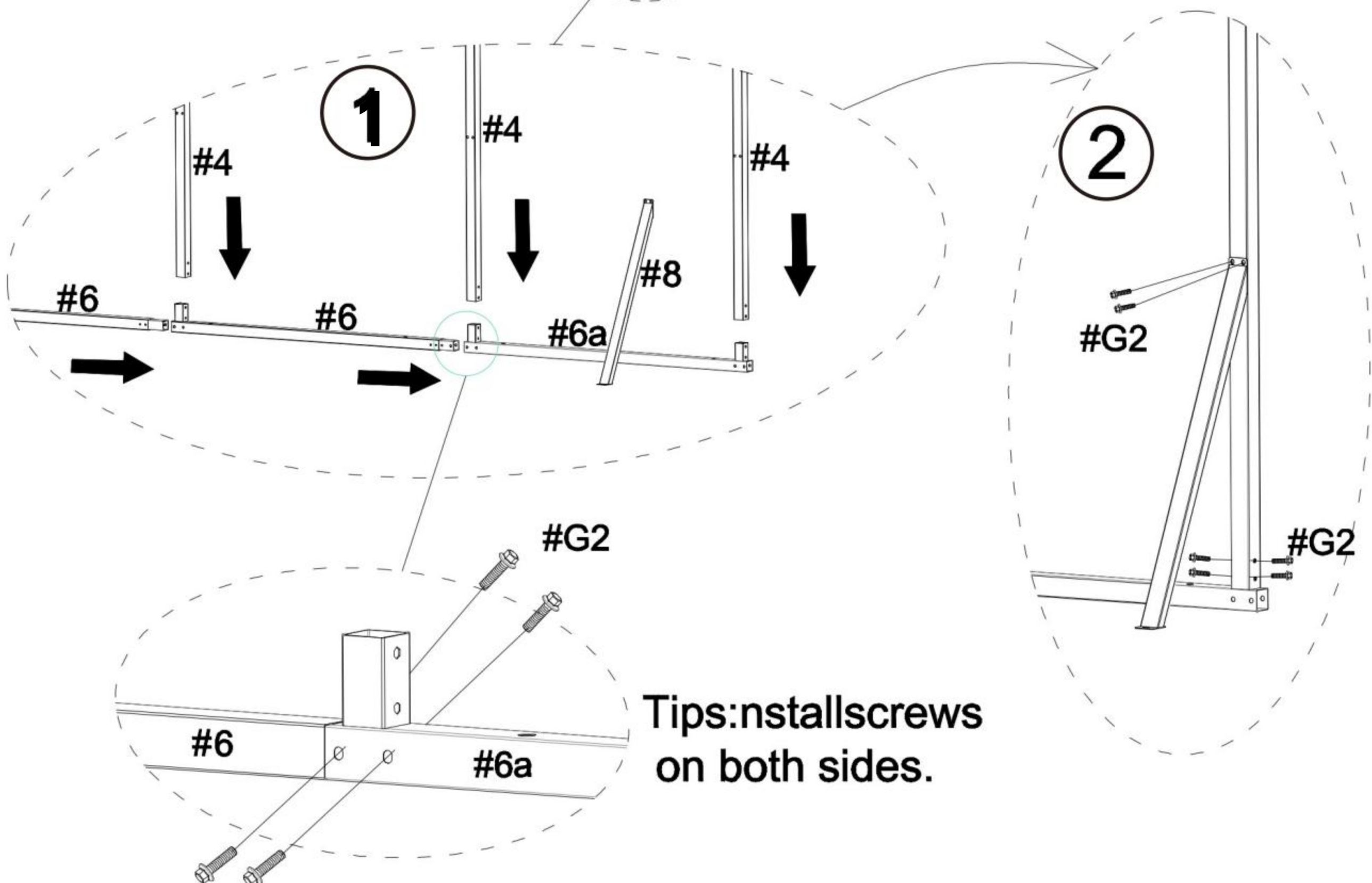
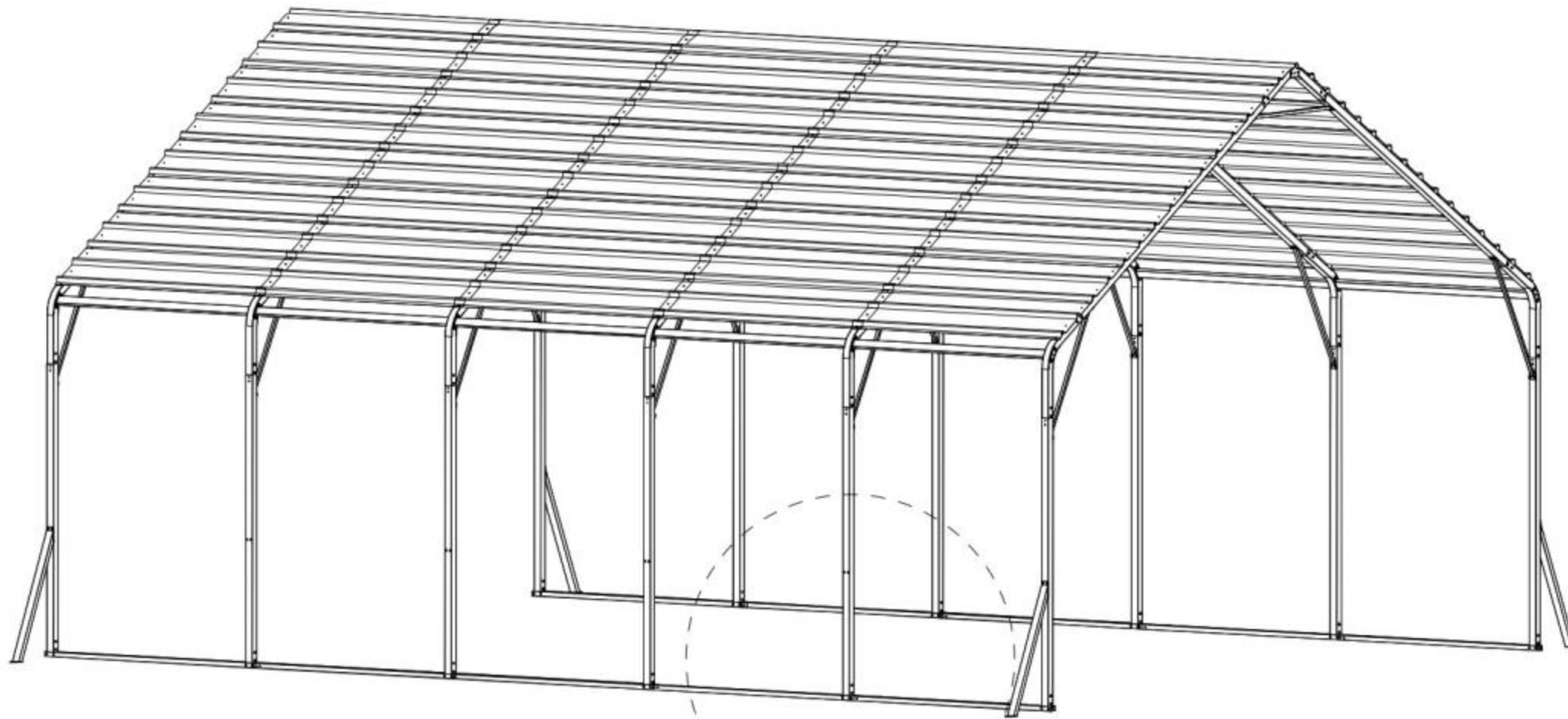
#4		X12
#5		X12
#G2		X96



## STEP 6: Reinforce the Frame



- 1) Connect all the Leg Pole(#4) to Ground bar 1(#6) and Ground bar 2(#6a)
- 2) The linking screws in this step are all: Hex Head Cap Bolt (#G2) and Expansion screws (#G3).

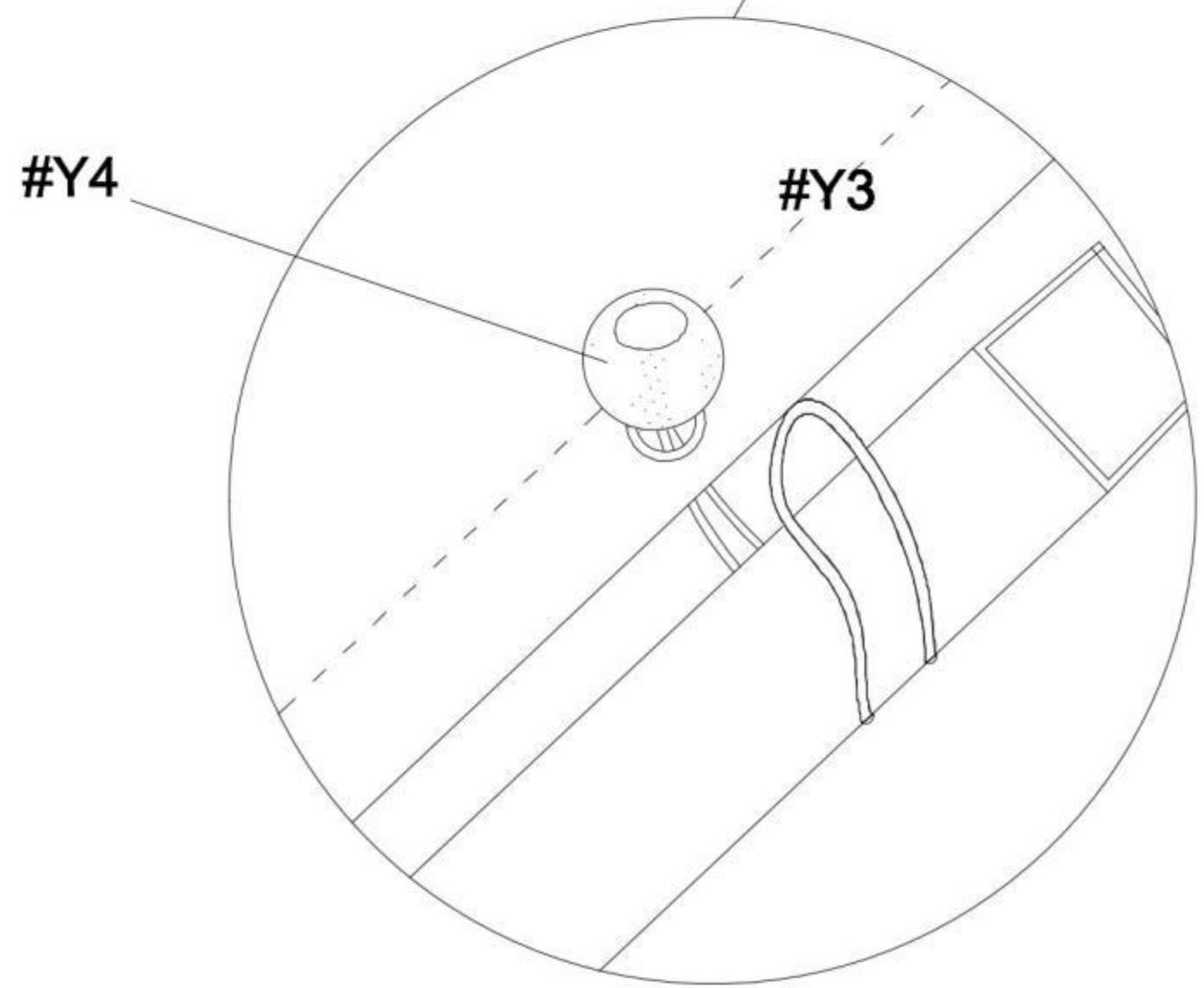
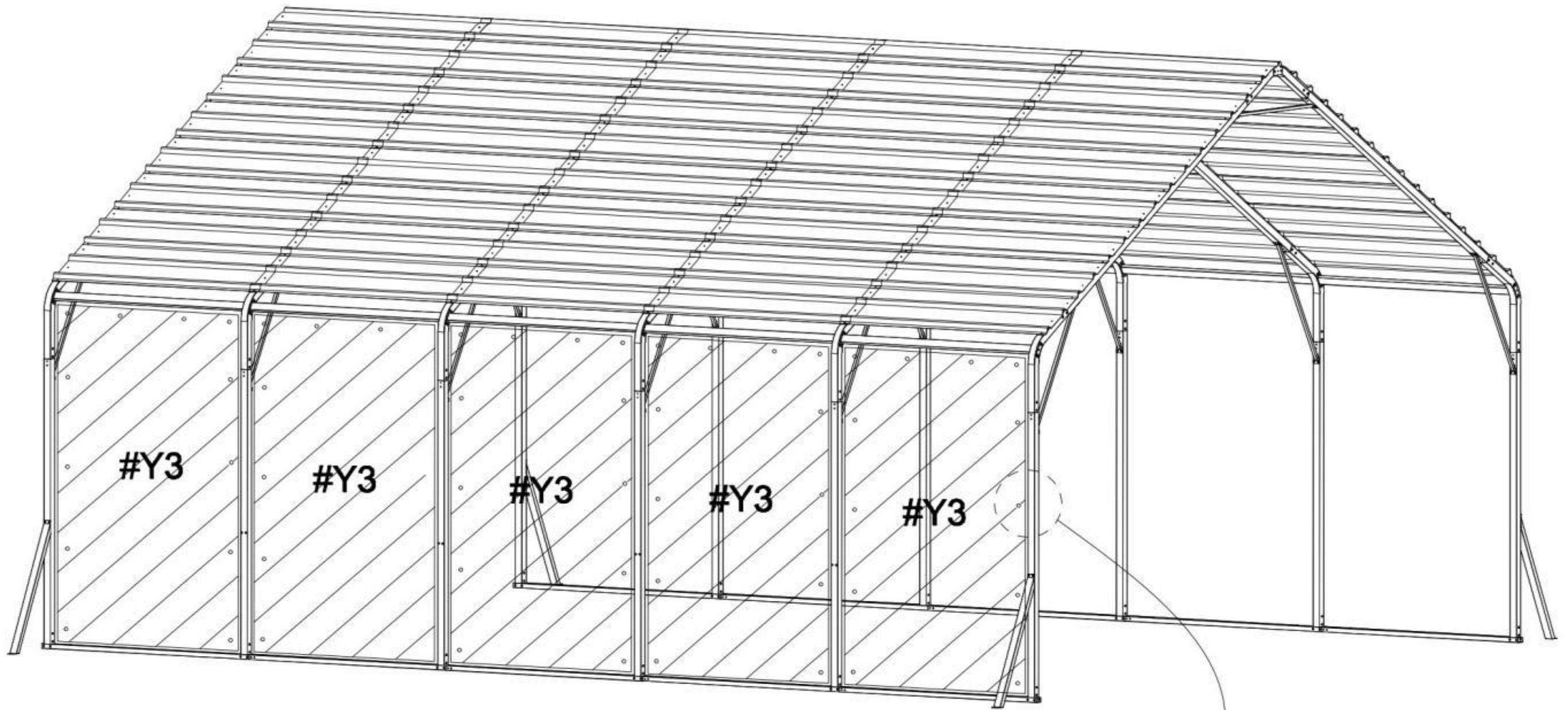
#6		X8
#6a		X2
#8		X4
#G2		X88



# STEP 7: Reinforce the Frame

Secure 5 wall cloths (#Y3) to the frame with rope beads (#Y4)



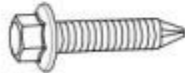
#Y3		X5
#Y4		X60

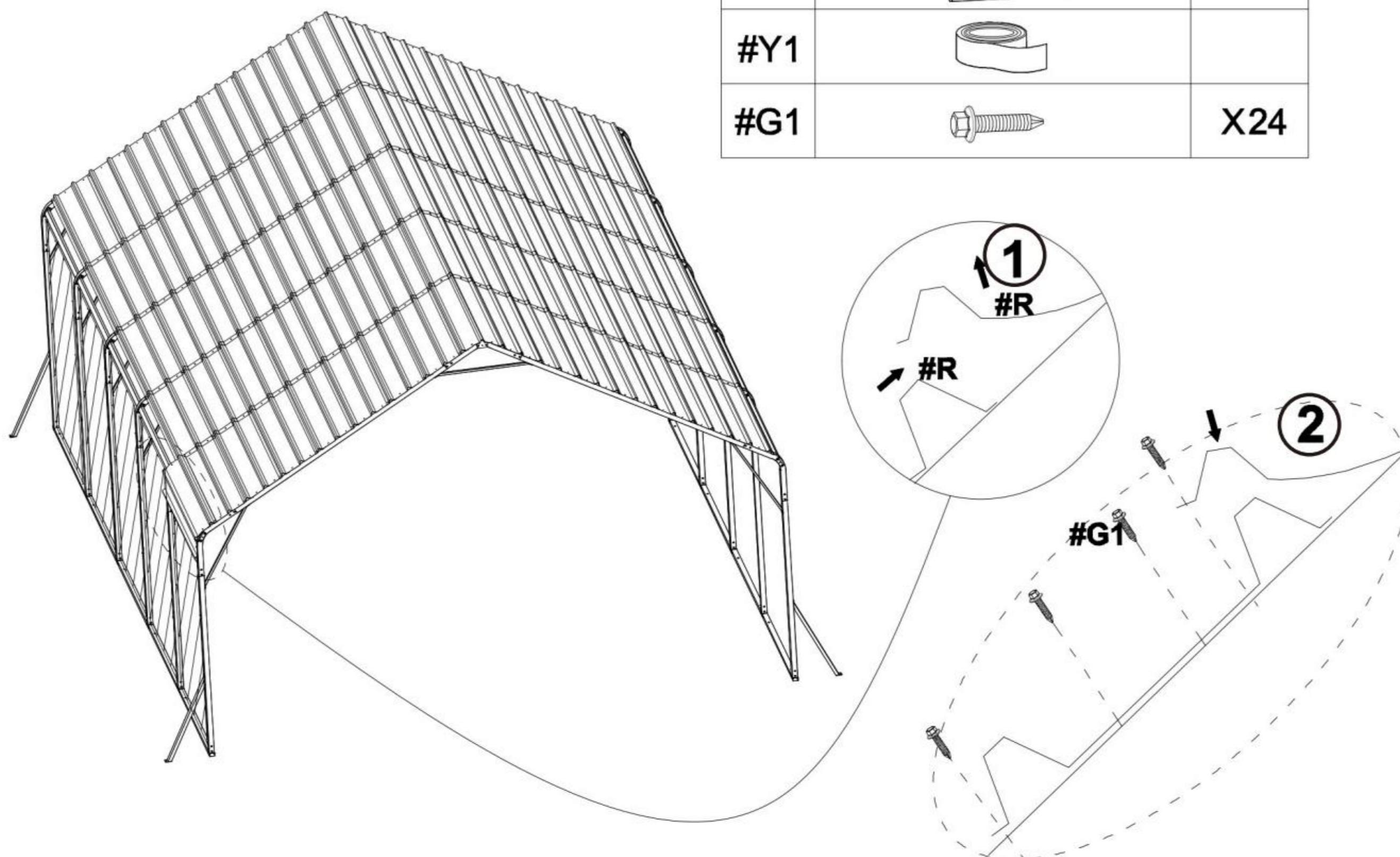


## STEP 8: Install the Side Roof

After installing the Leg Pole(#4), continue to install the Roof Cover (#R) in the 4 rows on the left and right sides.

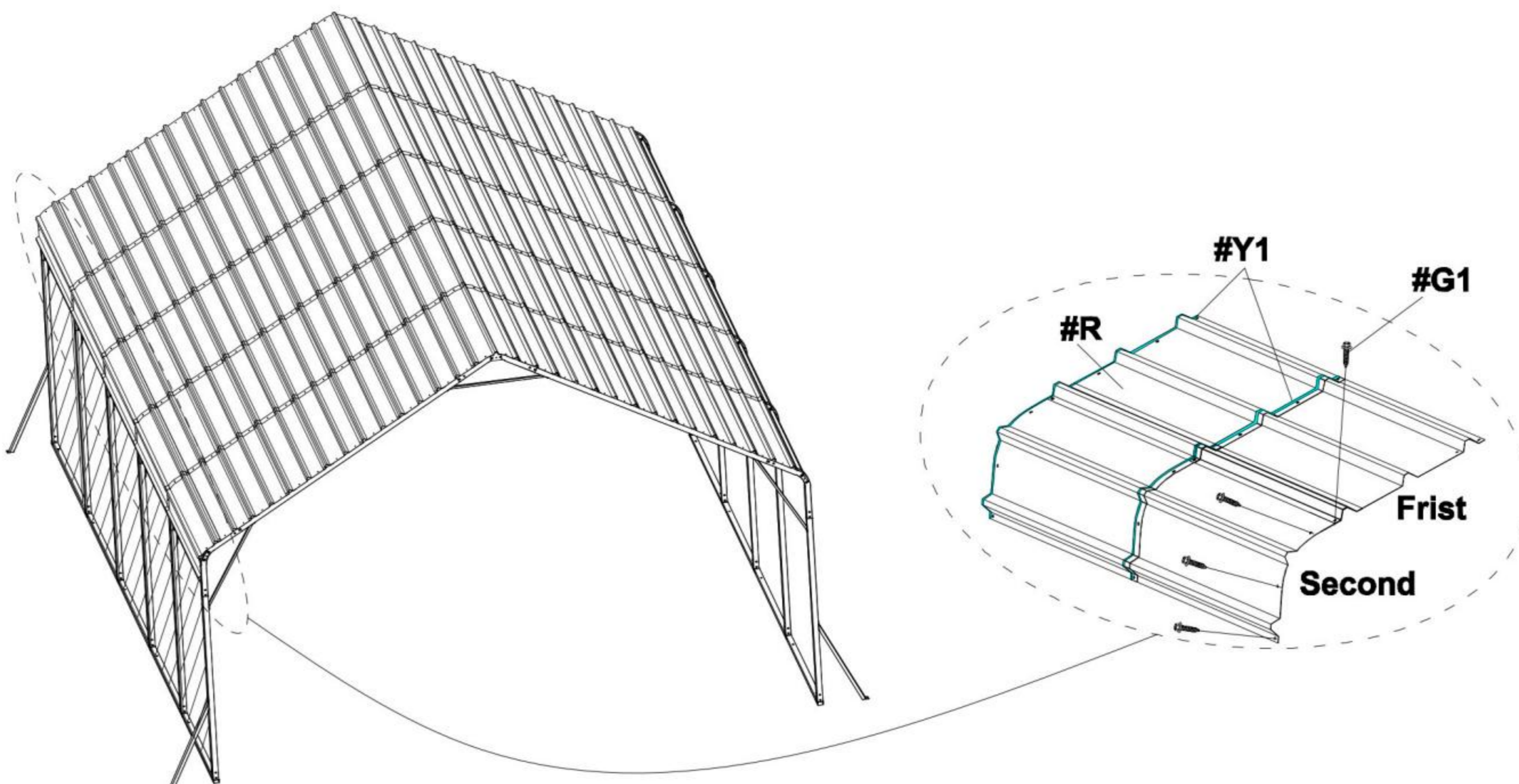
1) First install the Roof Cover (#R) in the left row, as shown in the picture.

#R		X5
#Y1		
#G1		X24

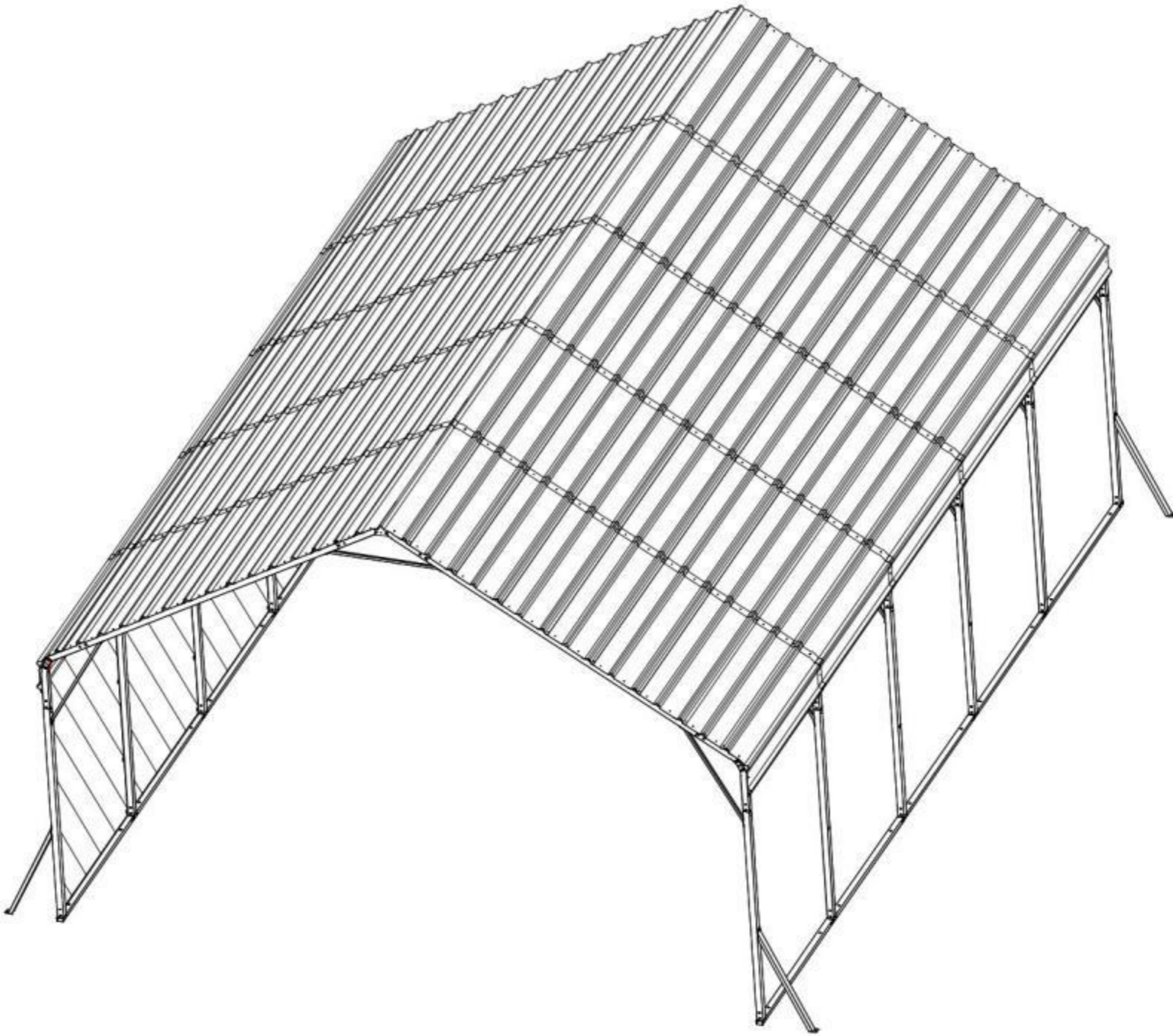




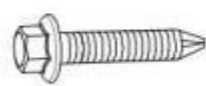

### Notice:

1. Make sure that the screw holes are aligned, and then press the Waterproof Tape (#Y1)
2. Make sure there are no gaps between the two roof covers to prevent water leakage
3. The second Roof Cover (#R) needs to be placed on the first Roof Cover (#R)



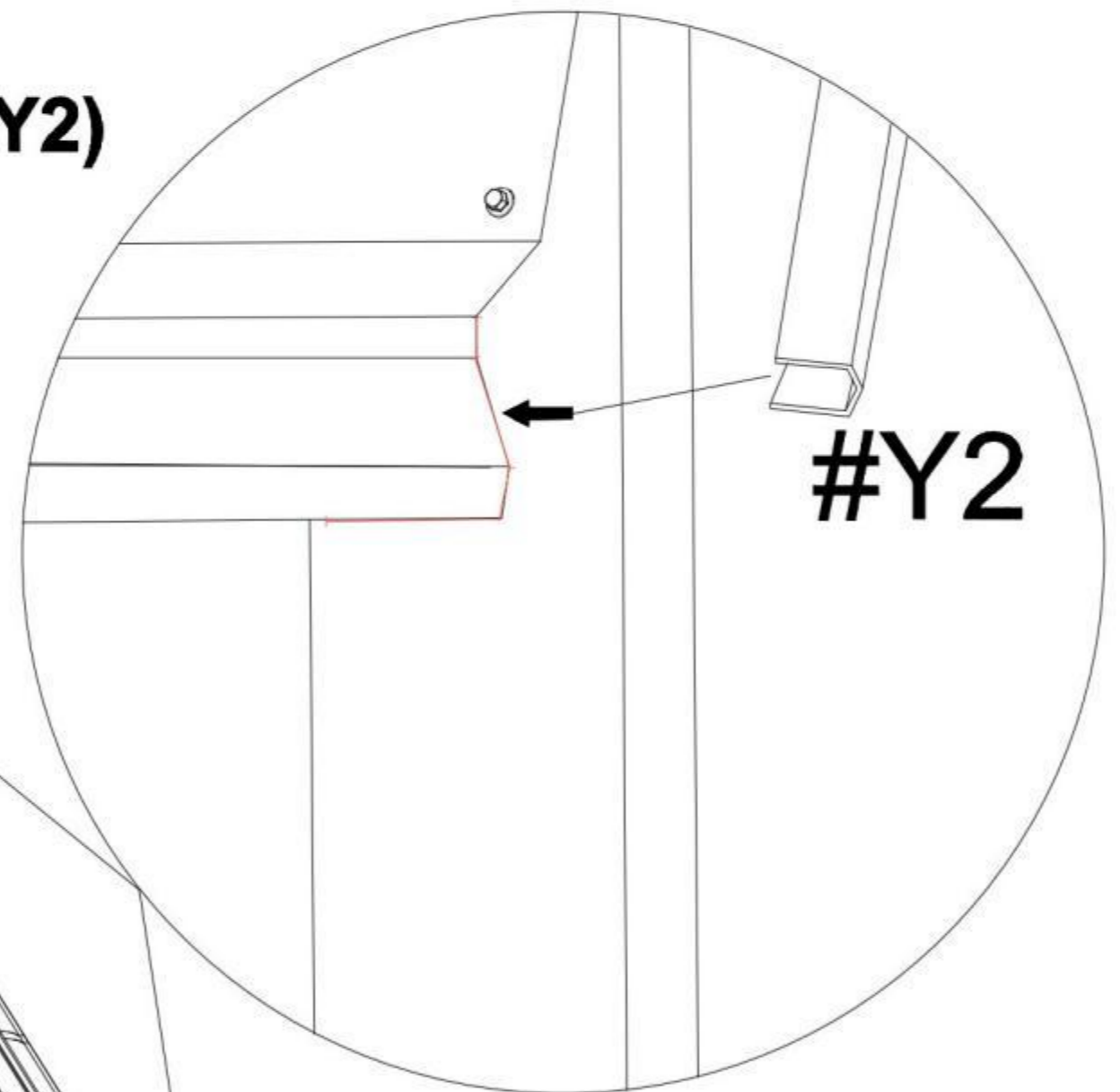
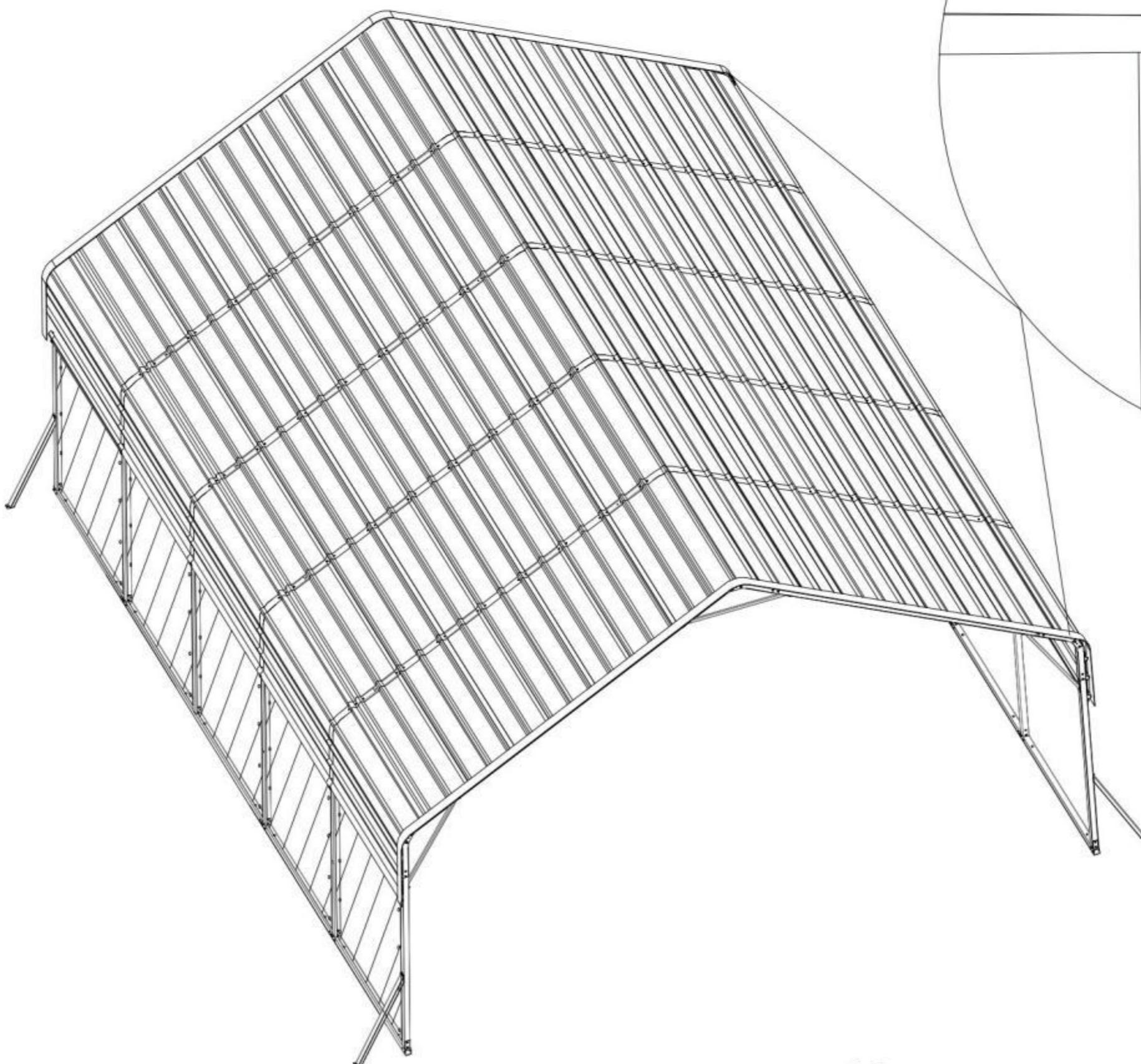
2) Follow the previous steps and continue to install the Roof Cover (#R) in the remaining 1 rows on the right.



#R		X5
#Y1		
#G1		X24
#Y2		

### STEP 9: Install the Anti-cut Tape (#Y2)

1) Wrap the Anti-cut Tape (#Y2) around the outer edge of the Roof Covers(#R).





#### Notice:

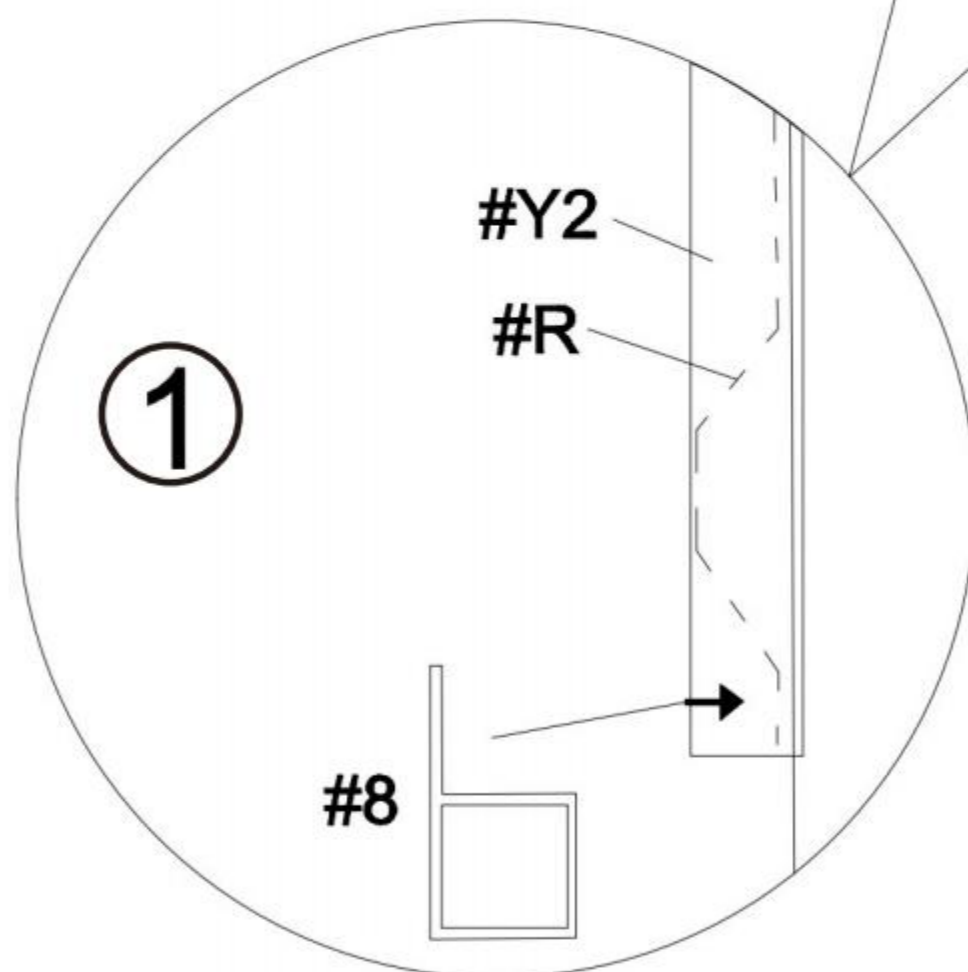
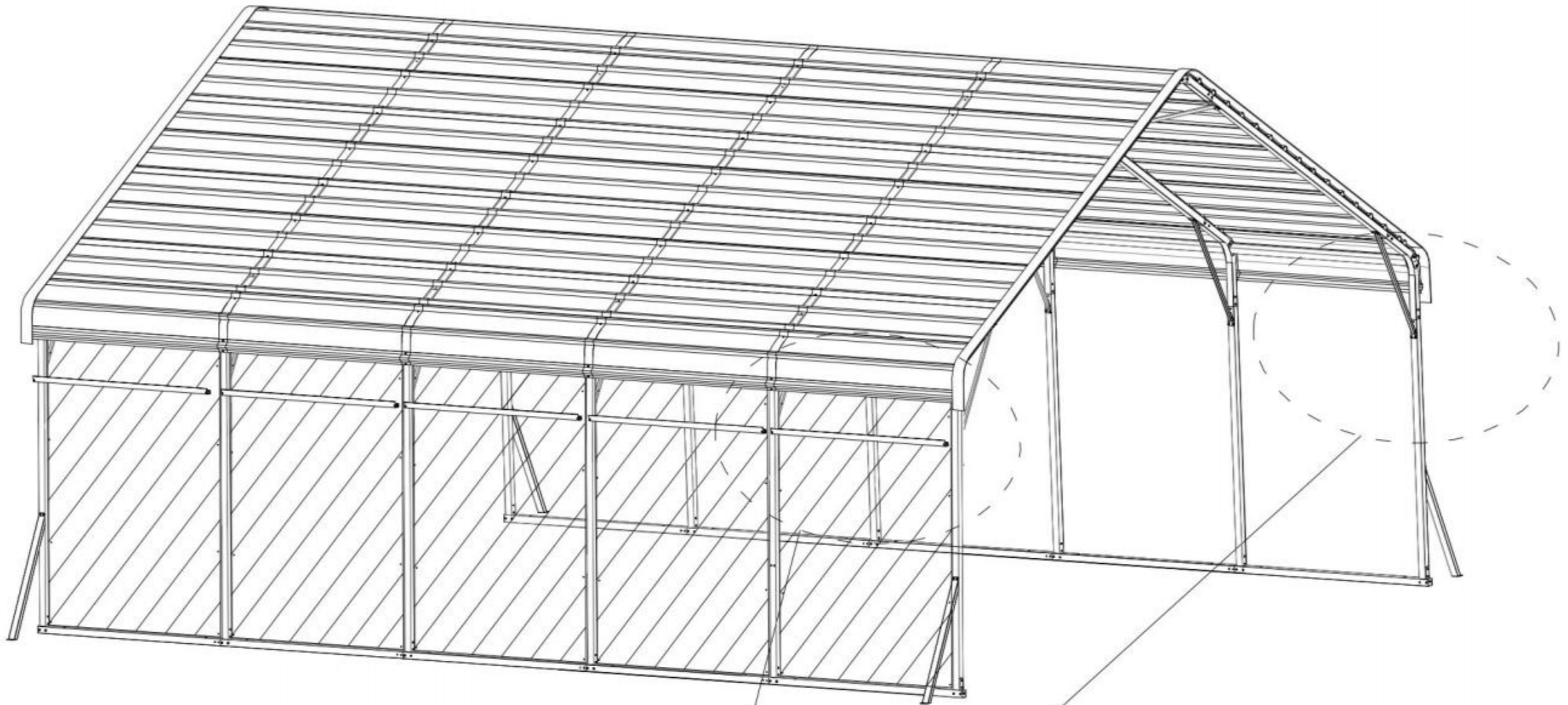
Be careful not to start from the 4 corners when wrapping the tape. Right angles are sharp and need to be avoided.

## STEP 10: Side-side defense pole

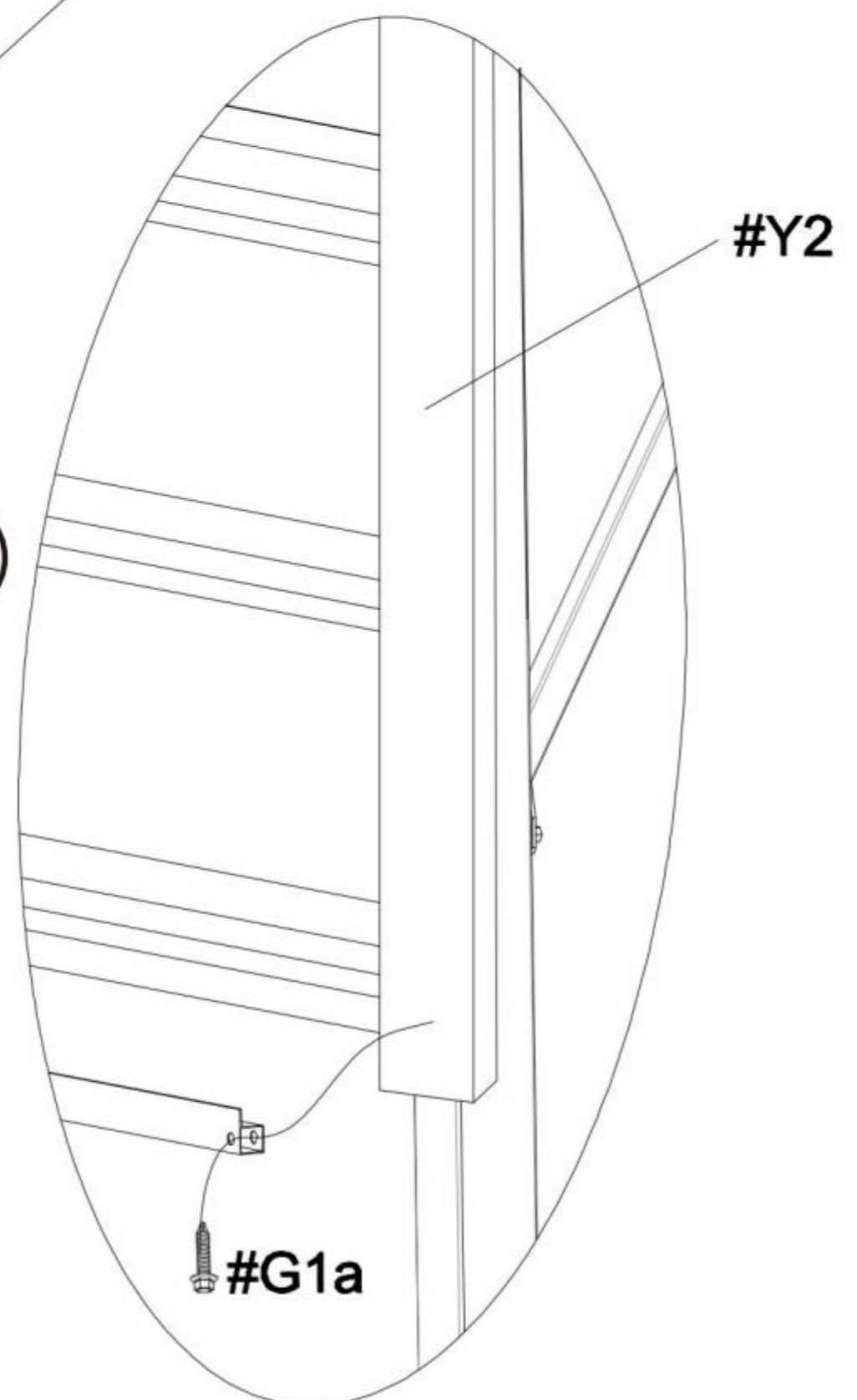
After installing I the Roof Cover (#R).on the left and right sides.

1) Install the Side-side defense pole(#9) in the left and right row, as shown in the picture.

#9		X10
#G1a		X20



②



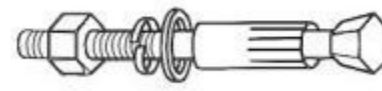
# STEP 11 : Anchor the Carport

Install the Anchor the Carport on the ground.

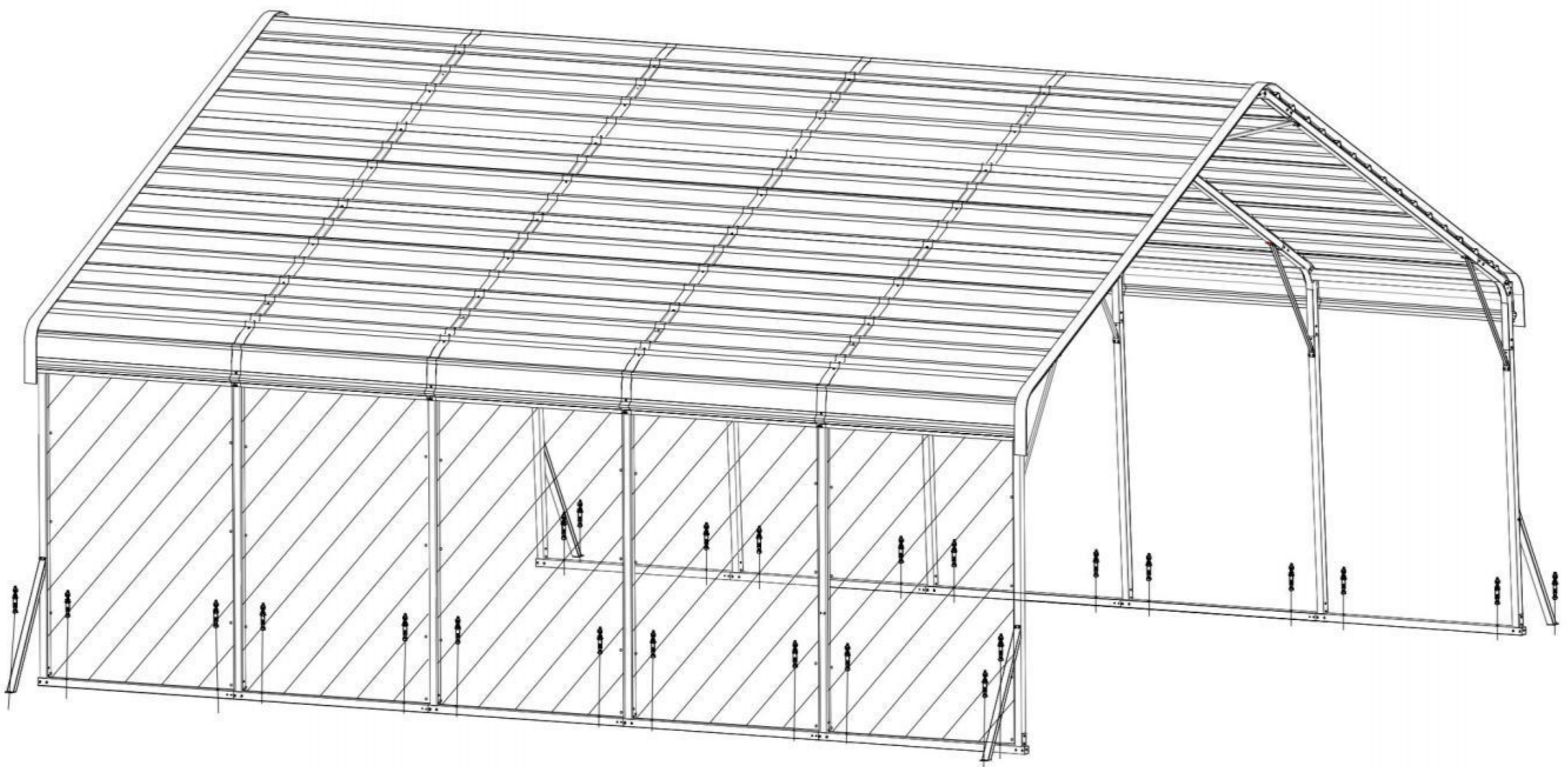
Notice:

The linking screws in this step are all: Expansion screws

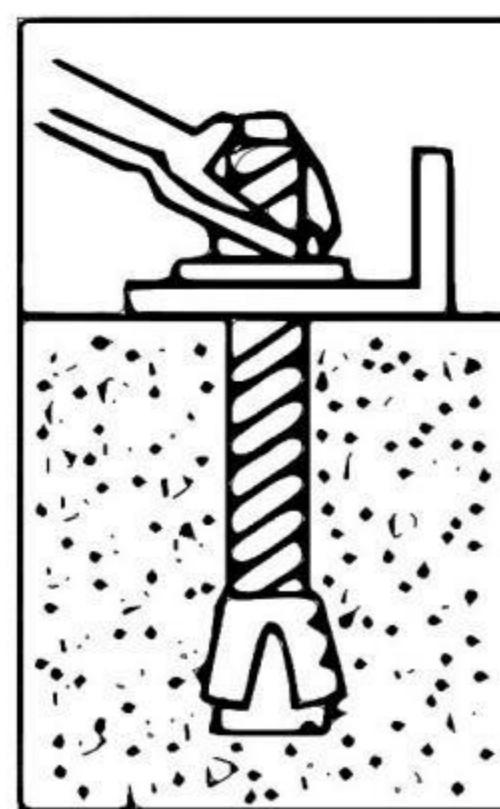
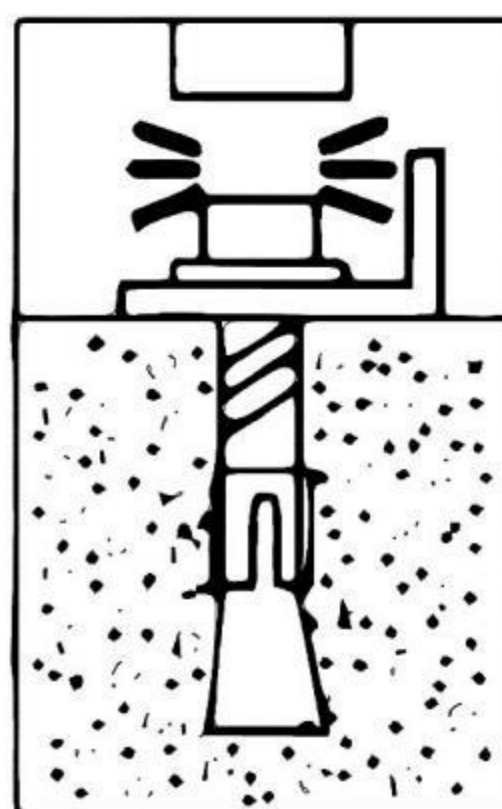
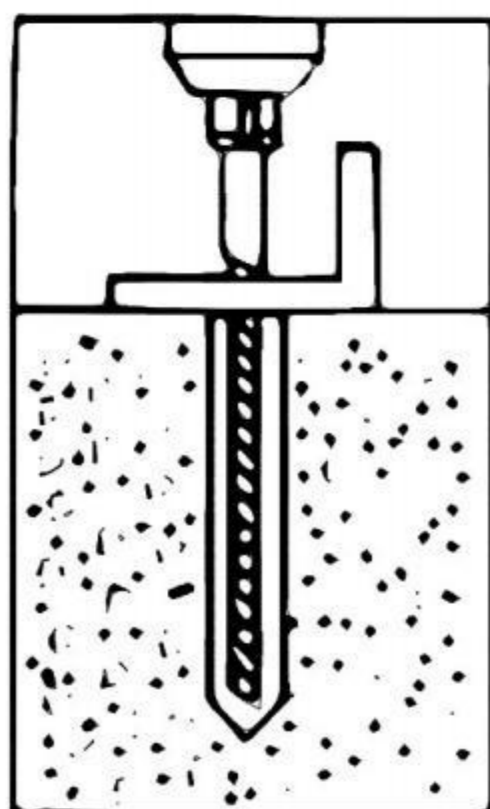
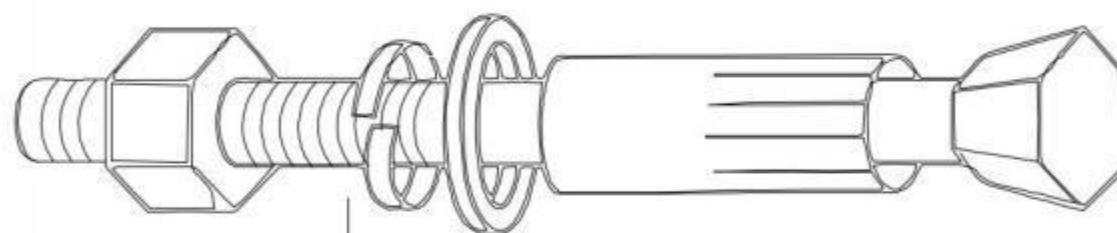
#G3



X24



# #G3





**Technisch Steun En E - Garantie Certificaat**  
**[www.vevor.com / support](http://www.vevor.com/support)**

# VEVOR

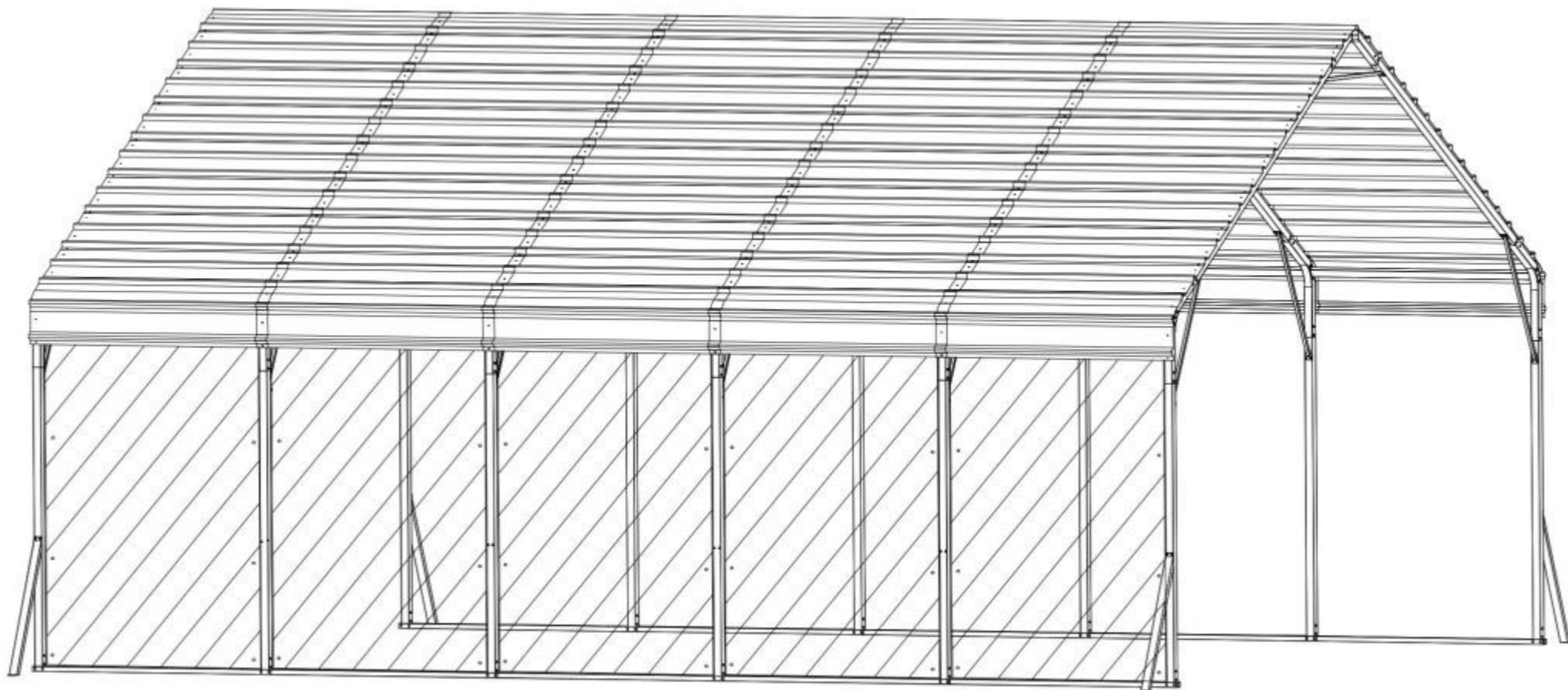
Abordable . Fiable. | Amélioration de l'habitat .

Lourd Abris de voiture de service  
Modèle: KD-TPQC-007-20x24 pi

**Technical Support and E-Warranty Certificate**  
**[www.vevor.com/support](http://www.vevor.com/support)**

# CARPORT INSTALLATION INSTRUCTION

Modèle : KD - TPQC -007-20x24 pi



Ce est le original instructions , s'il te plaît lire tous manuel instructions soigneusement avant en fonctionnement . VEVOR réserve un clair interprétation de notre utilisateur manuel . Le apparence de le produit devoir être sujet à le produit toi reçu . S'il te plaît pardonner nous que nous ne le fera pas informer toi encore si là sont n'importe lequel technologie ou logiciel mises à jour sur notre produit .

***IMPORTANT! PLEASE READ THIS INSTRUCTION CAREFULLY BEFORE INSTALLATION.***

1. Have at least two adults during installation. Read all instructions carefully and follow it accordingly. Failure to do so may result to injury or damage to the carport.
2. Never set-up the product in rainy, windy or stormy conditions, especially lightning storms.
3. Keep your carport off of the steep slopes and inclination.
4. After installation ,the carport should be anchored to prevent damage and possible injury. It is the user`s responsibility to properly anchor the product.
5. Always inspect the carport and each part before use. Make sure that everything is tightly secured. Replace any worn, defective missing parts.
6. For a better installation and use experience, it is recommended to bring your own ladder, scissors, electric drill and glass glue.

# SÉCURITÉ INSTRUCTIONS

## AVERTISSEMENT :

Lisez ceci matériel avant en utilisant ceci produit. Ne pas le faire peut résultat sérieusement blessure.

## Précautions de montage

1. Assemble seulement selon à ces instructions . Incorrect l'assemblage peut créer dangers.
2. Porter ANSI - approuvé sécurité lunettes de protection et robuste travail gants pendant assemblée .
3. Gardez le assemblée zone faire le ménage et bien éclairé .
4. Gardez spectateurs dehors de le zone pendant assemblée .
5. Faire pas assembler si fatigué ou quand sous le influence de alcool , drogues ou médicament .
6. Le produit capacités appliquer à correctement et complètement produits assemblés uniquement.
7. Assemble sur un plat , de niveau , dur et lisse surface capable de soutenir en toute sécurité le Wooden Portemanteau.
8. Pour supplémentaire information concernant le parties répertorié dans le pages suivantes, s'il te plaît se référer à la Assemblée Diagramme de ceci manuel. Déballer et séparer tout parties dans un travail propre zone.

## Utiliser précautions

- 1.FAIRE NE PAS S'ASSEOIR NI SE TENIR DEBOUT SUR CECI ARTICLE.
- 2.Ceci produit est pas un jouet. Faire ne pas permettre aux enfants de jouer avec ou près ce article.
3. Faire pas dépasser spécifié poids capacités .
4. Utilisation seulement sur un plat , de niveau , dur , et lisse surface que peut soutenir en toute sécurité un pleinement chargé En bois Salle Arbre .
- 5.Utiliser comme prévu uniquement.
6. Inspecter avant chaque utiliser; faire pas utiliser si les pièces sont desserrées ou endommagé.

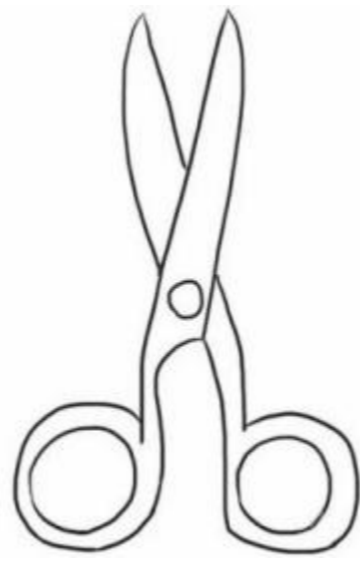
SAUVEGARDEZ CECI MANUEL

**IMPORTANT! S'IL TE PLAÎT LISEZ CECI INSTRUCTIONS ATTENTIVEMENT AVANT INSTALLATION.**

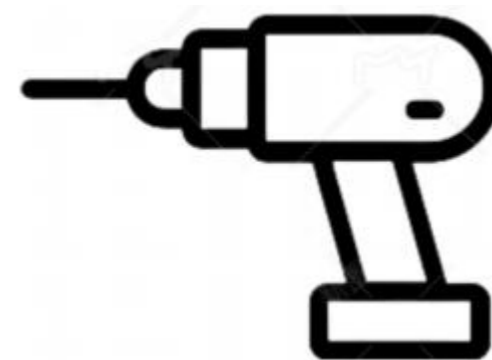
1. Installation nécessite à au moins deux adultes. Lire tout instructions d'entretien pleinement et suivre en conséquence. Ne pas le faire peut résultat dans une blessure ou un dommage à le abri d'auto .
2. Ne jamais régler en haut de la produit dans conditions pluvieuses, venteuses ou orageuses , es- éclairage spécial tempête s.
3. Gardez votre abri d'auto à l'écart des pentes raides et inclination.
4. Après l'installation, le carport doit être ancré à prévenir dommages et possible blessure. Il est le utilisateur responsabilité de correctement ancrer le produit.
5. Toujours inspecter le carport et chaque partie avant utilisation . Faire bien sûr que tout est bien sécurisé. Remplacez tout élément usé, défectueux manquant parties.
6. Pour un une meilleure expérience d'installation et d'utilisation, il est recommandé à apportez votre propre échelle, ciseaux, électricité percer et verre colle.



Échelle













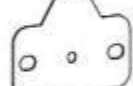
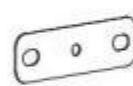

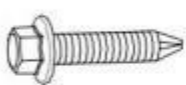


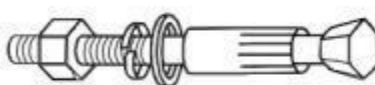

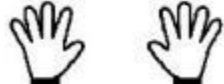




Ciseaux







Perceuse  
électrique

# PACKAGE CONTENTS

This carport is packed in 5 boxes. Before the installation, please check all the parts according to the part list. If there is any part missing or defective, please contact us immediately to get replacement parts.

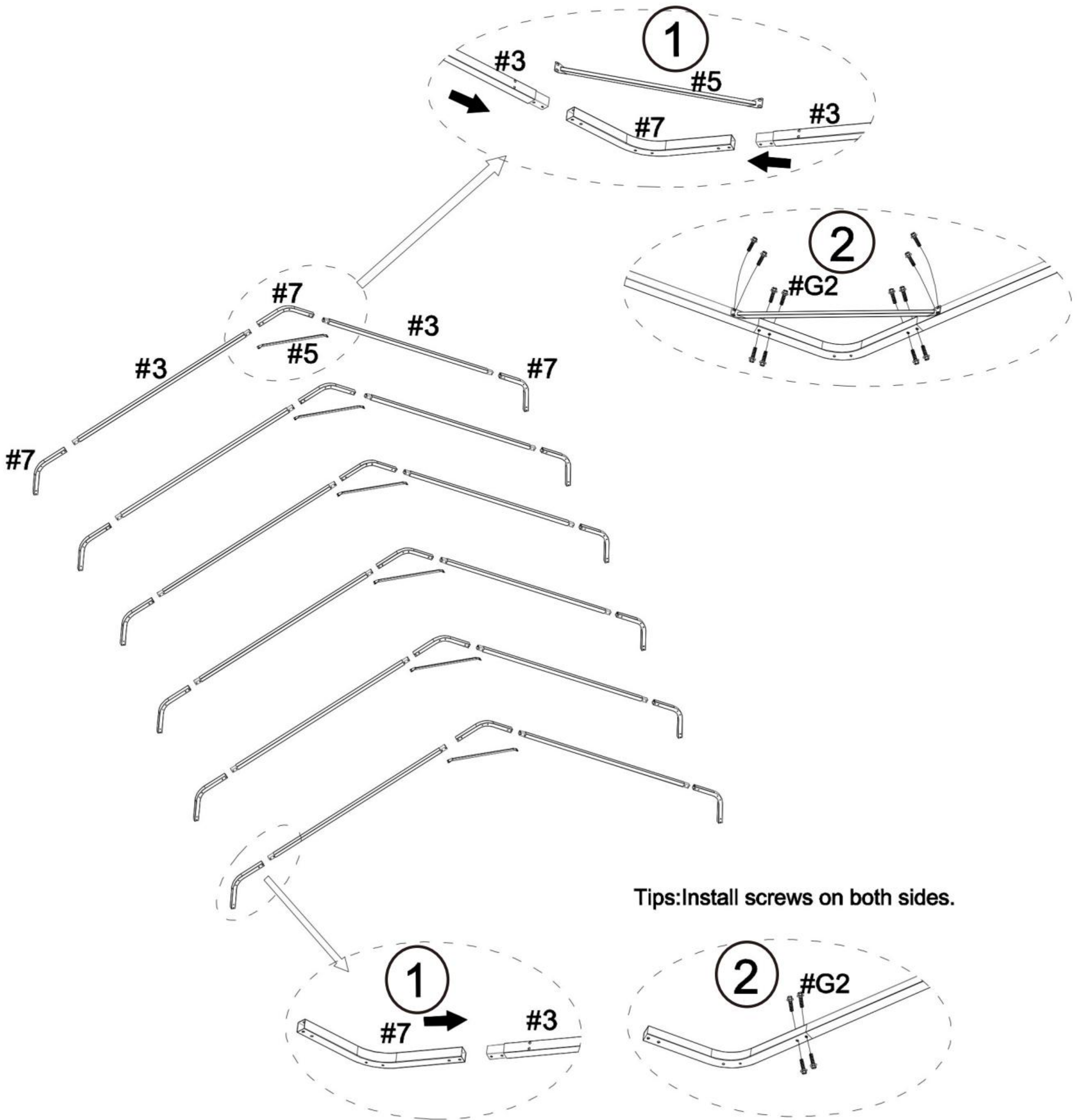
<b>Part No.</b>	<b>Part Name</b>	<b>Drawing</b>	<b>Qty</b>
#1	Side pole 1		10PCS
#2	Side pole 2		5 PCS
#3	Straight peak pole		12 PCS
#4	Leg pole		12 PCS
#5	Top Reinforcing pole		18 PCS
#6	Ground bar 1		8 PCS
#6a	Ground bar 2		2 PCS
#7	Connector		18 PCS
#8	Ground Reinforcing pole		4 PCS
#9	Side-side defense pole		10 PCS
#10	Side plate 1		3 PCS
#11	Side plate 2		4 PCS
#R	Roof cover		85 PCS
#G1	M5X20 Self-Tapping screws		322PCS
#G1a	M5X25 Self-Tapping screws		24 PCS
#G2	Socket head bolt		314 PCS
#G3	Expansion screws		26 PCS
#G4	Socket head bolt & Nut		38 PCS
#L	Gloves		2 pairs
#Y1	Waterproof tape		8 PCS
#Y2	Anti-cut tape		20 M
#Y3	Enclosure		5 PCS
#Y4	Beads of rope		60PCS

# STEP 1: Assemble the Top Frame




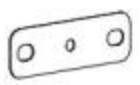

#3		X12
#5		X6
#7		X18
#G2		X120

**Notice:**

The linking screws in this step are all: Socket Head Bolt (#G2)

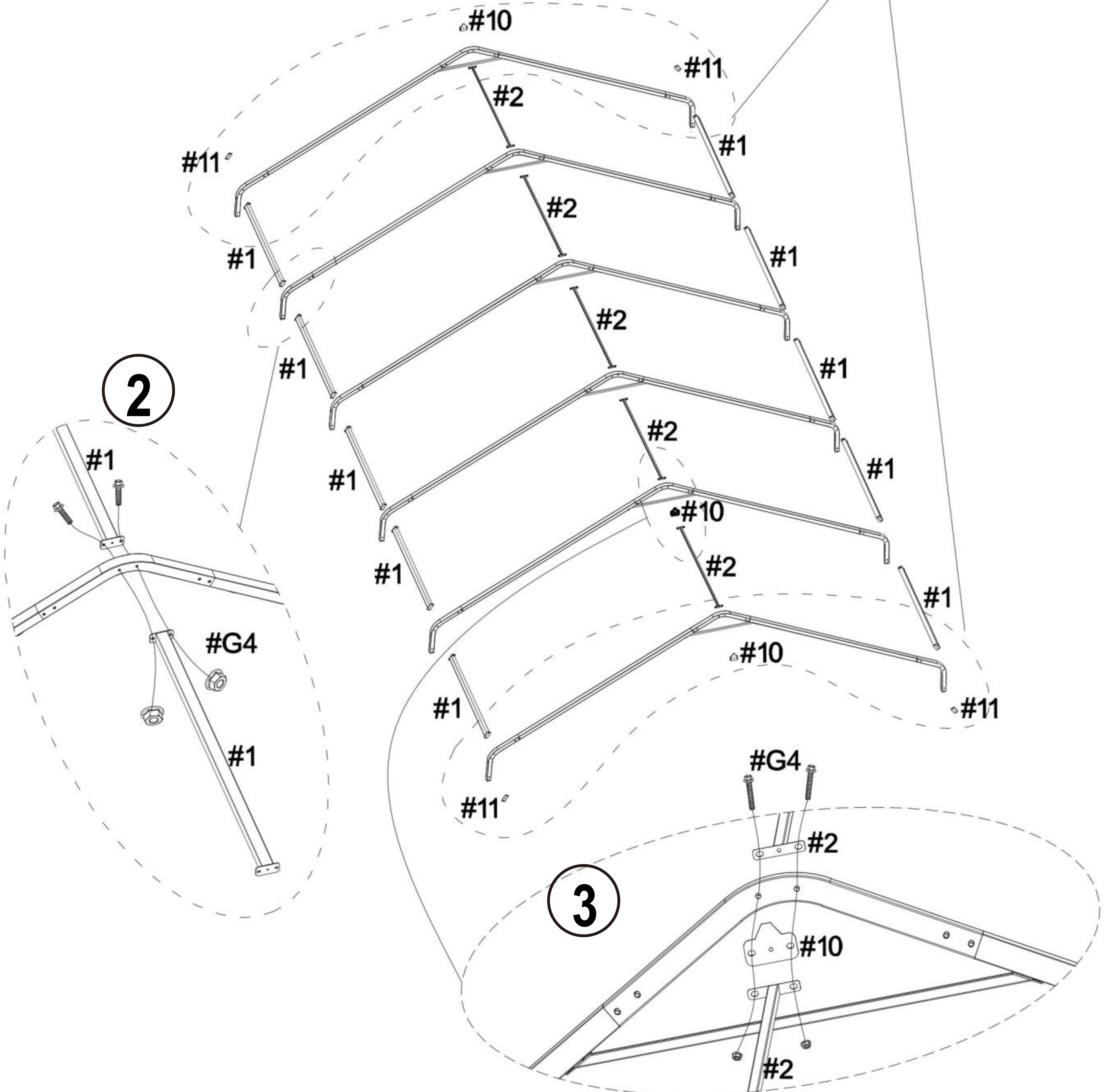
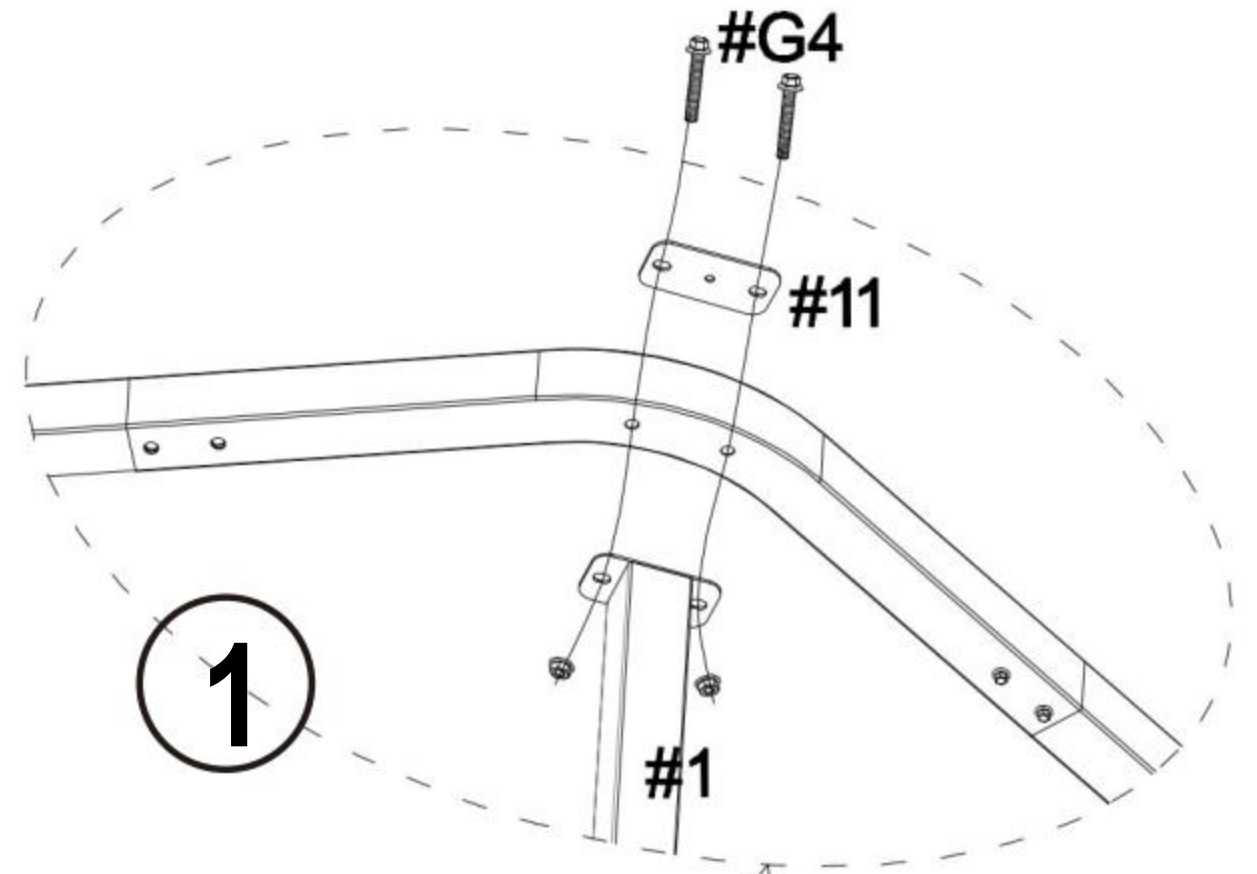


# STEP 2:

#1		X10
#2		X5
#10		X3
#11		X4
#G4		X36

**Notice:**

The linking screws in this step are all: Socket Head Bolt (#G4)



## STEP 3: Install the Top Roof

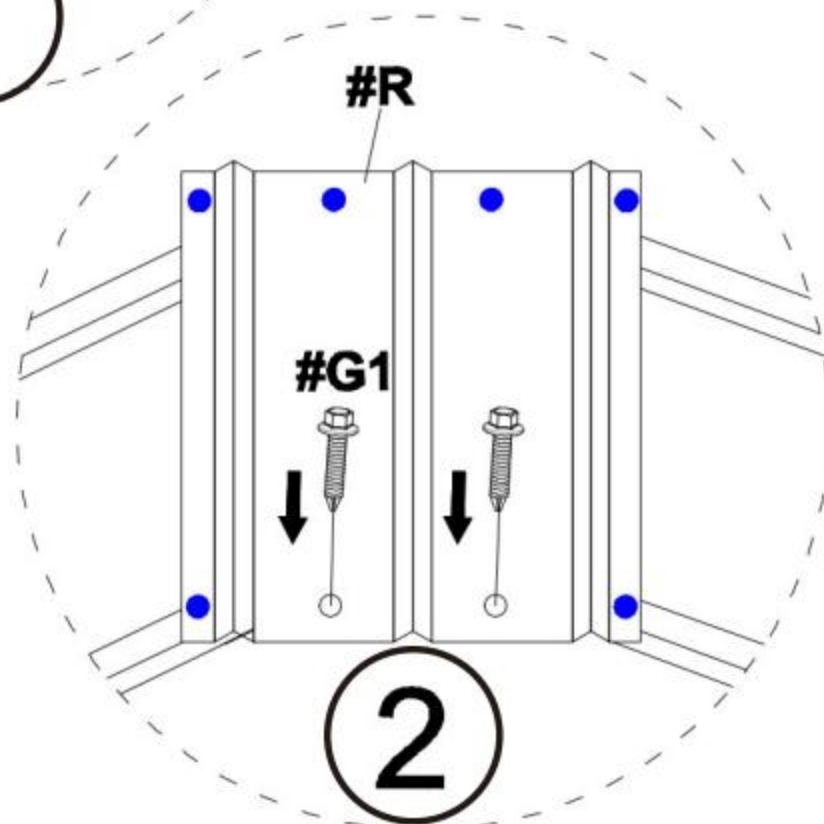
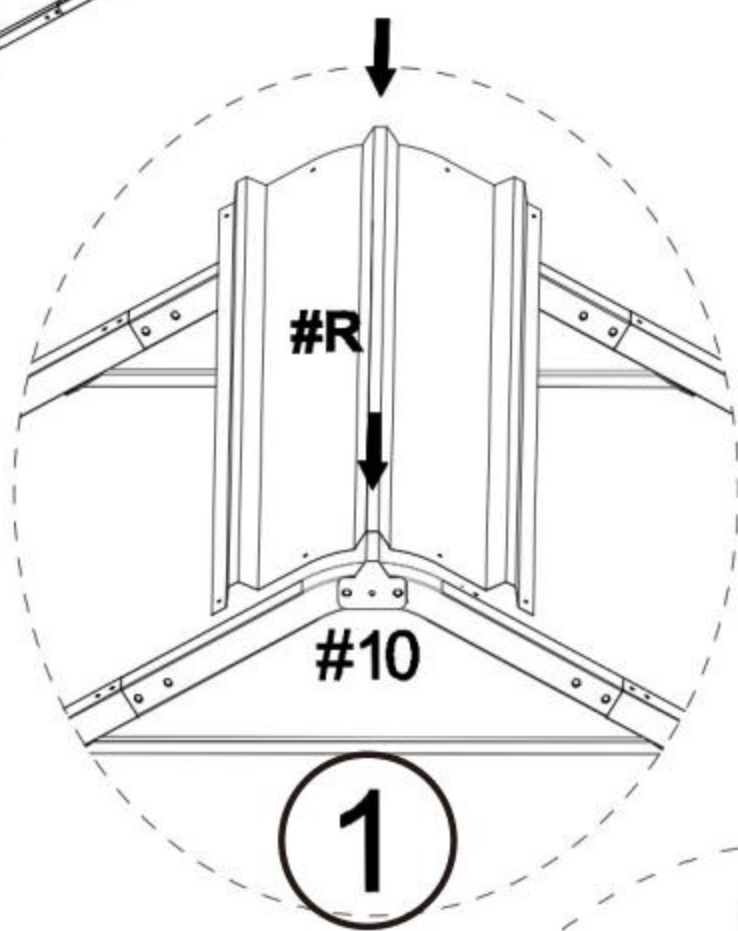
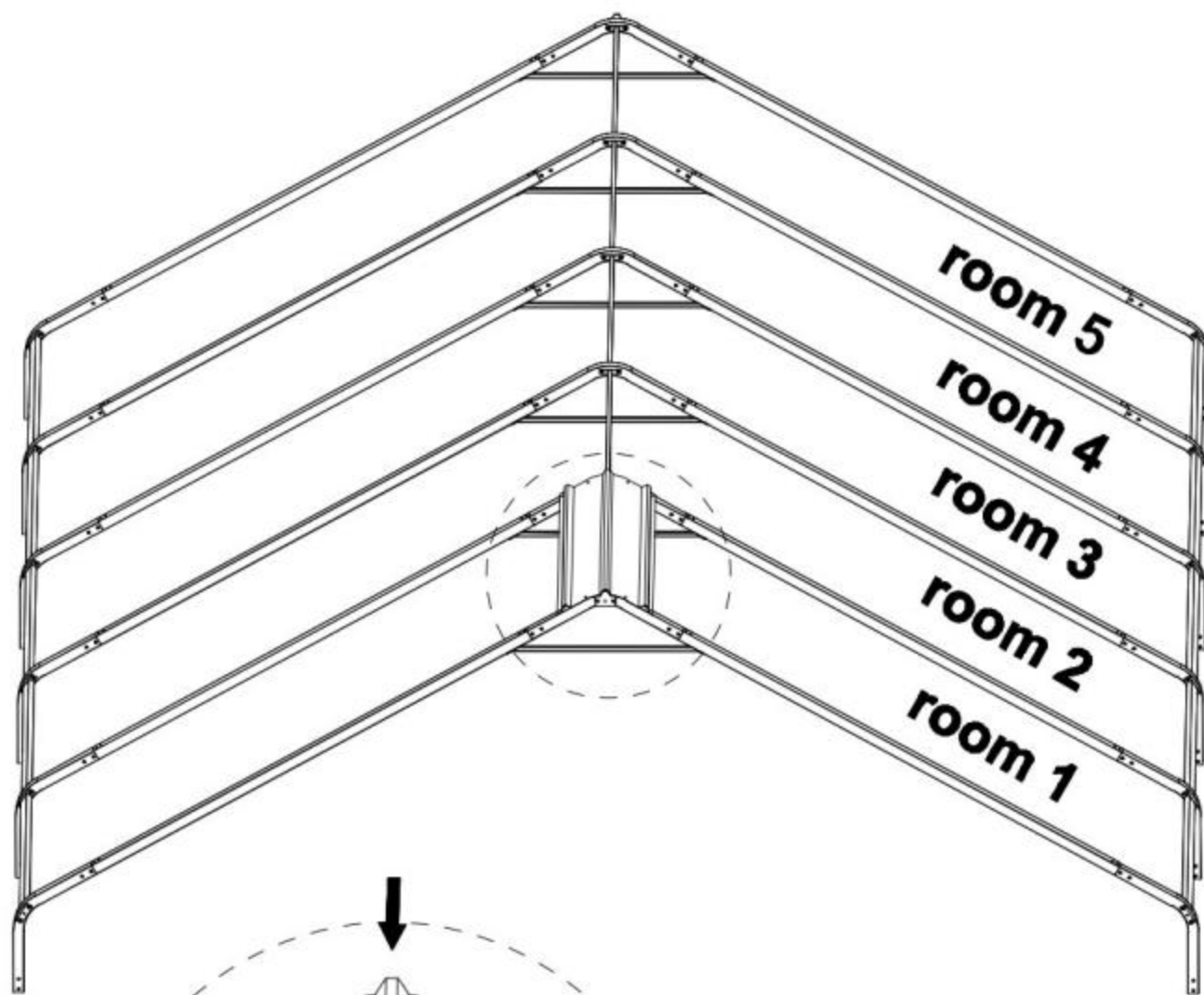
Install all the Roof Cover (#R) to the top frame. The linking screws in this step are all: Self-Tapping Screws (#G1), as shown in the picture.

Notice:




1. The meaning of different colored holes in the Roof Cover (#R);

- Blue hole: no screws here right now.
- Black hole: nonal installation

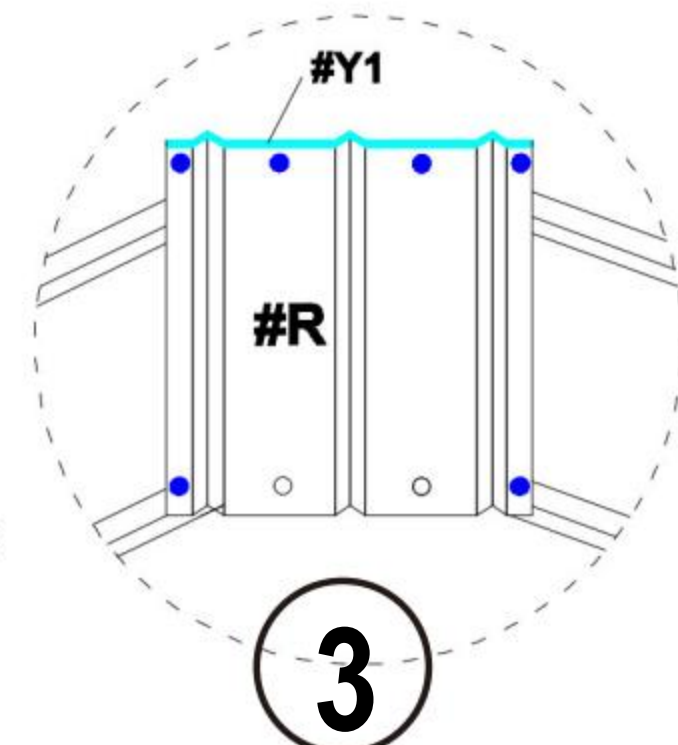
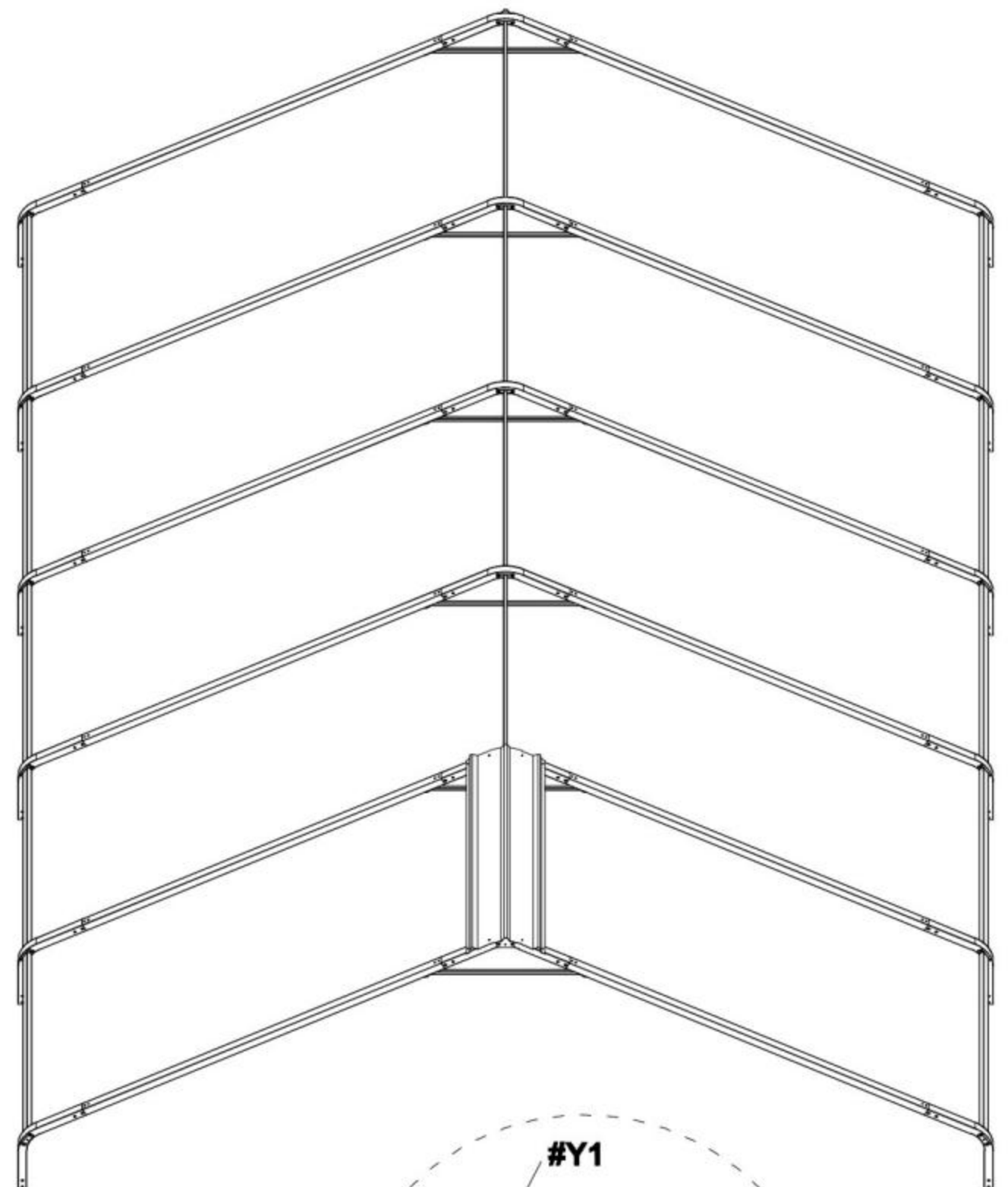
1) Starting from the top middle of room 1 to room 5, install the first row of Roof Covers (#R).



When installing the first piece of roof covering, place the middle slot of the tile at the gasket #10 bump for easy reinforcement with screws

#R		X1
#Y1		X8
#G1		X2




2) When installing each Roof Cover (#R), you need to use Waterproof Tape (#Y1) as shown in the picture.



# STEP 4:

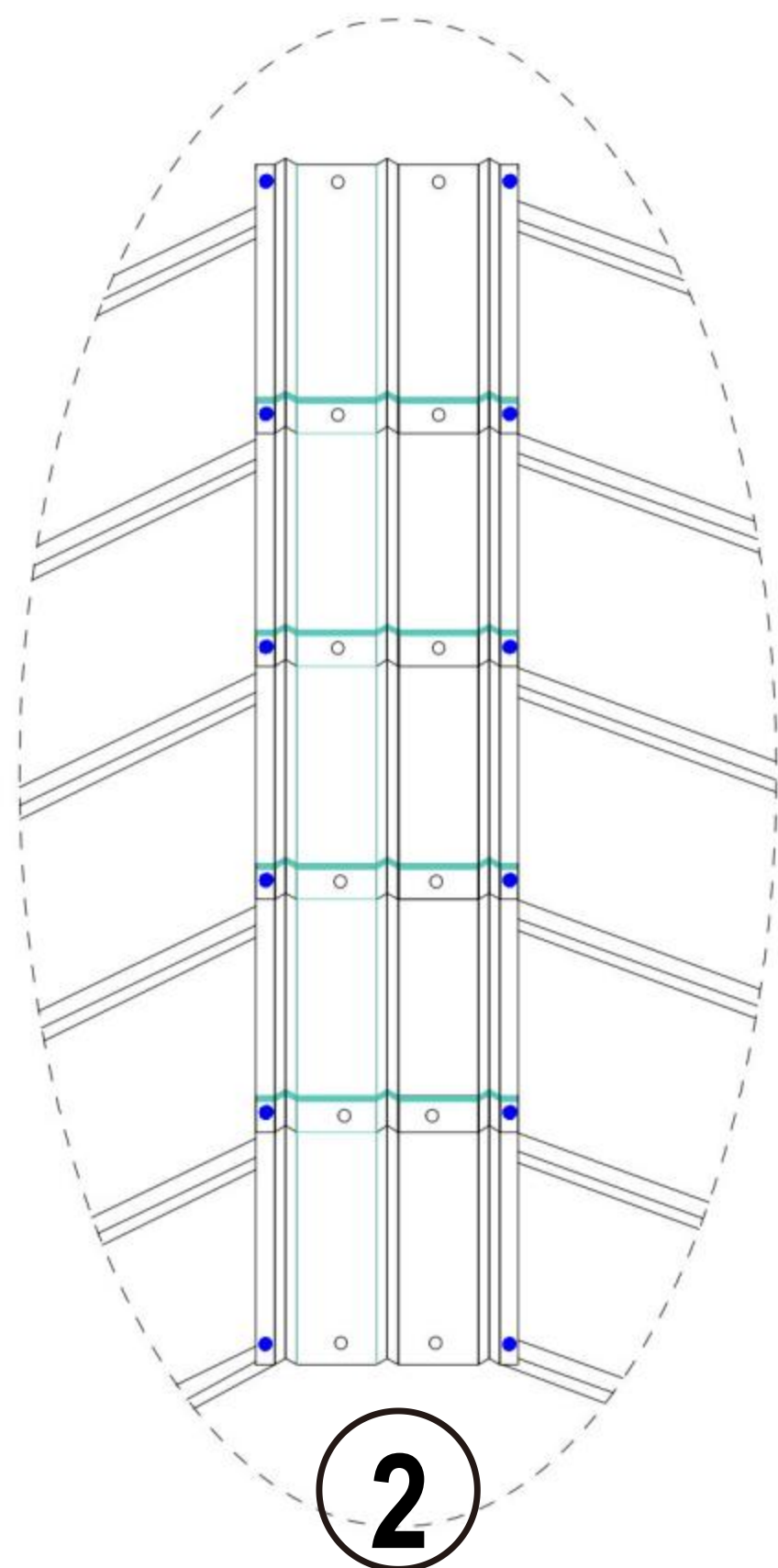
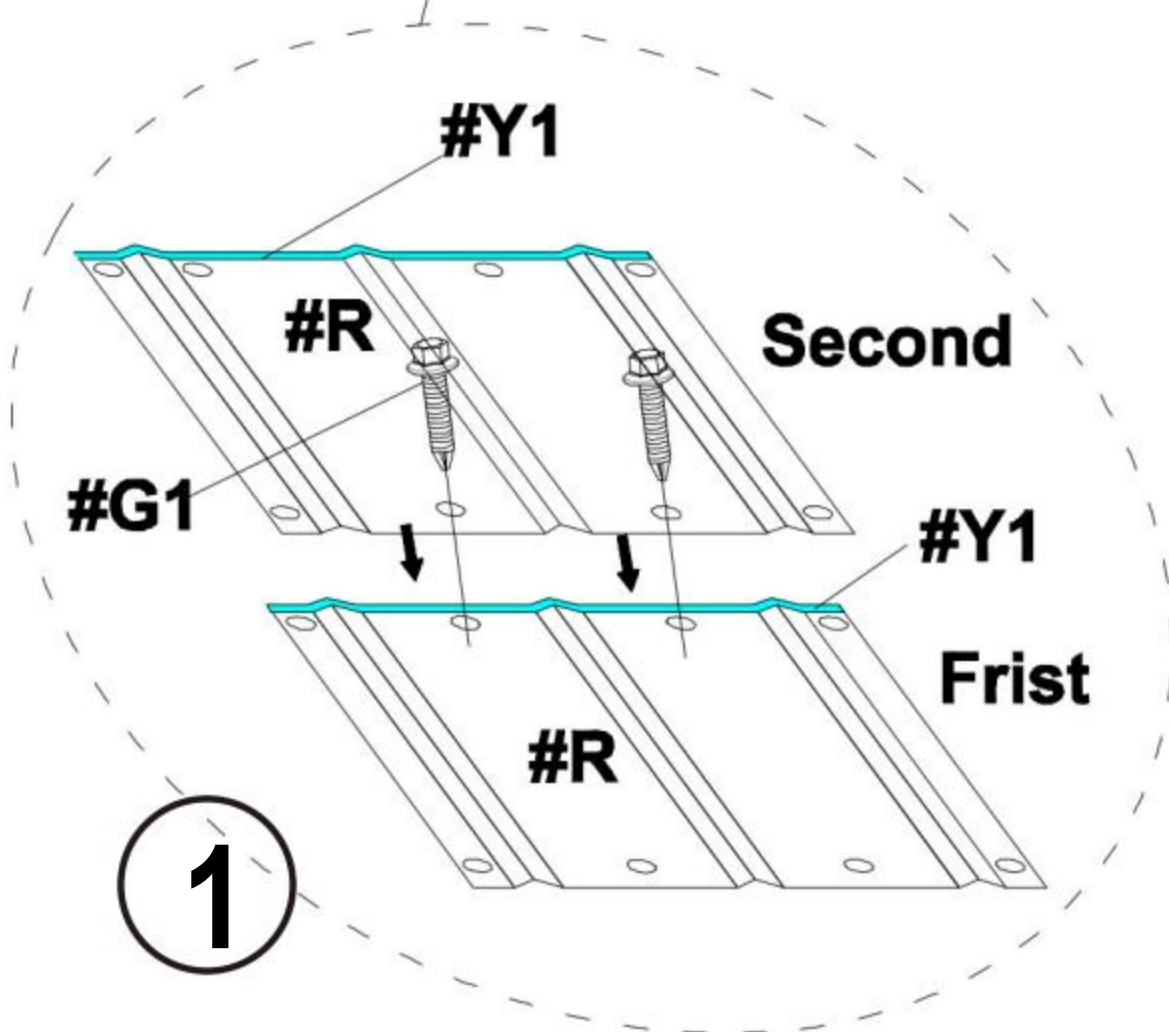
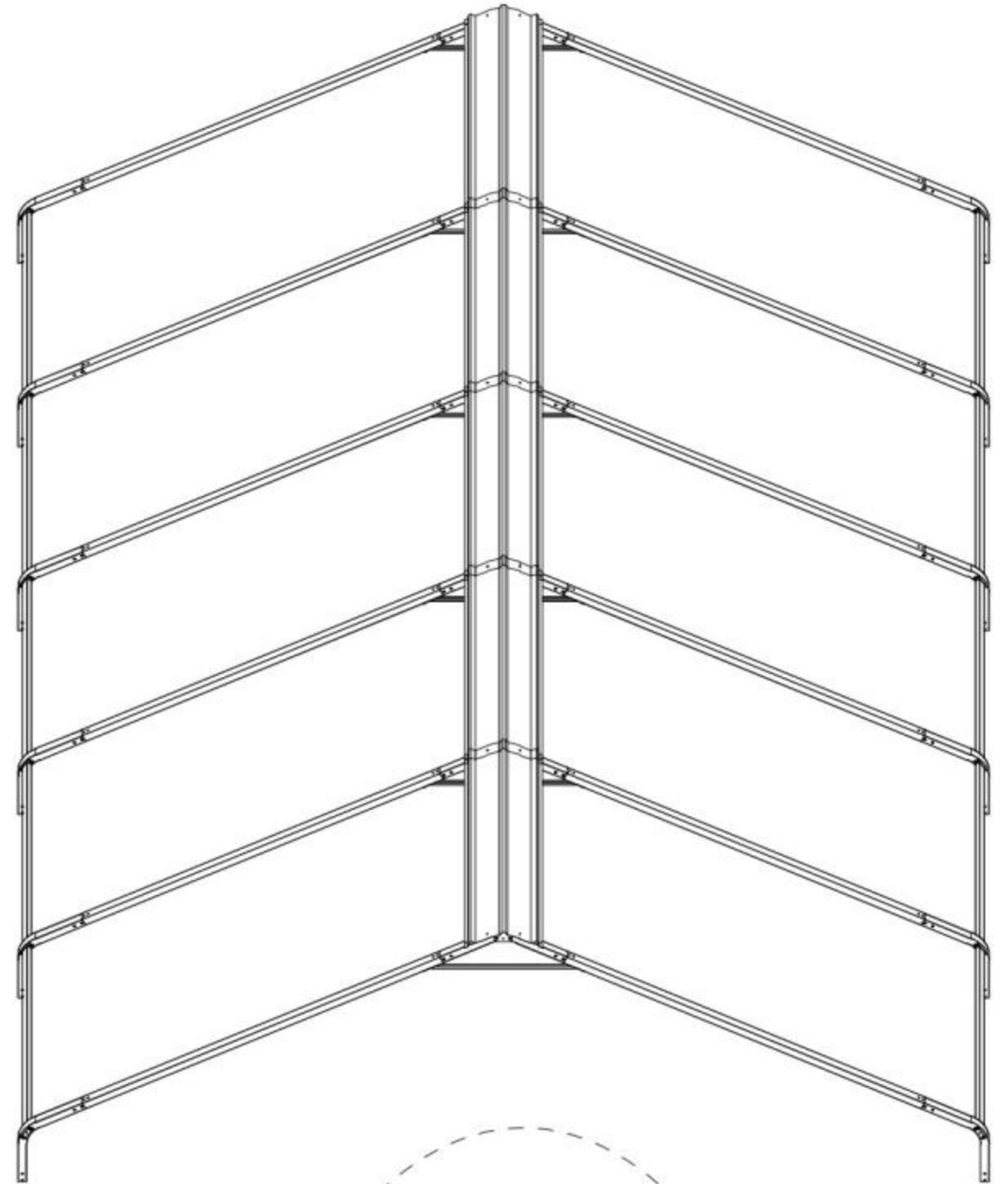
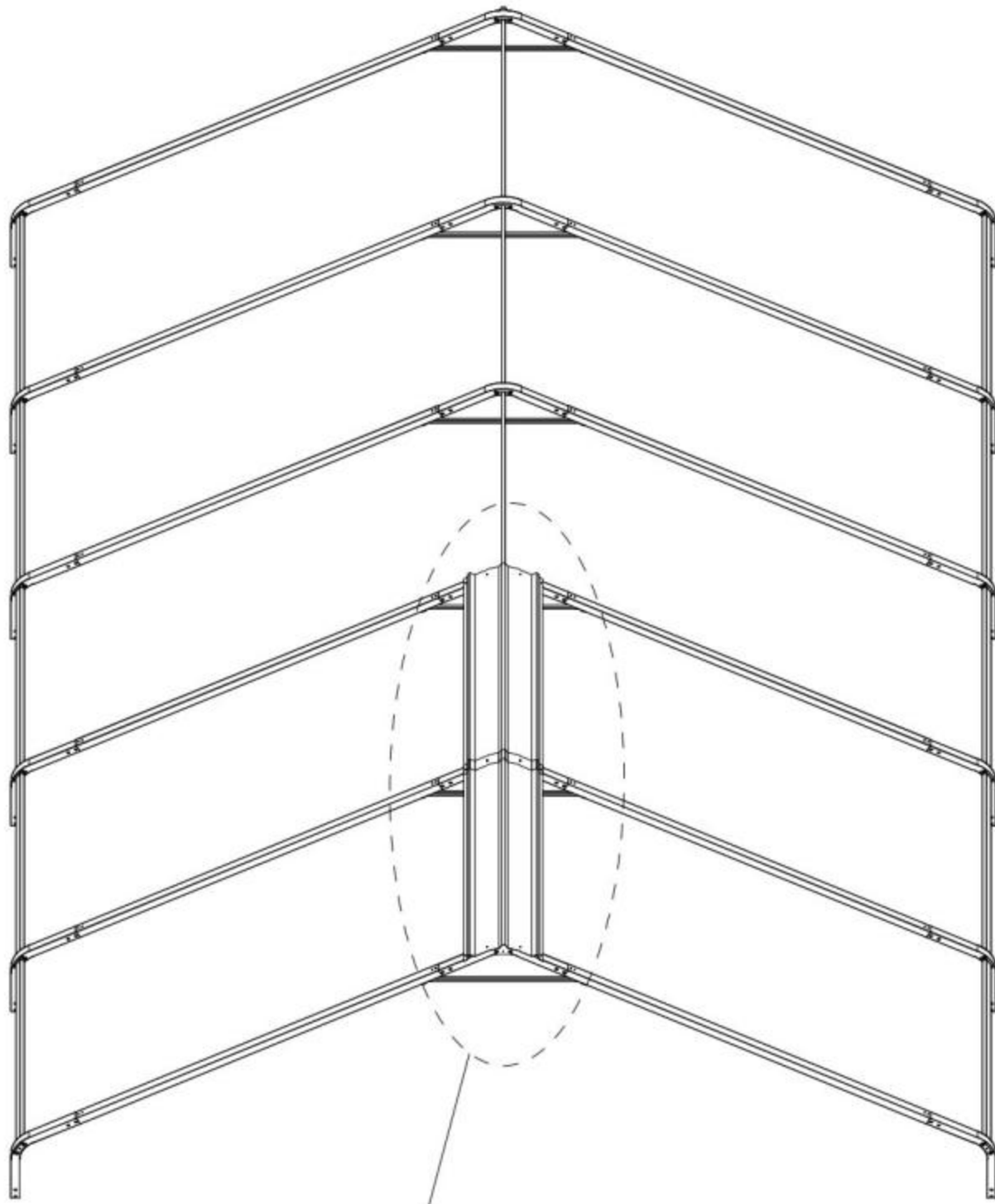
## Notice:

1. Make sure that the screw holes are aligned, and then press the Waterproof Tape (#Y1)
2. Make sure there are no gaps between the two roof covers to prevent water leakage

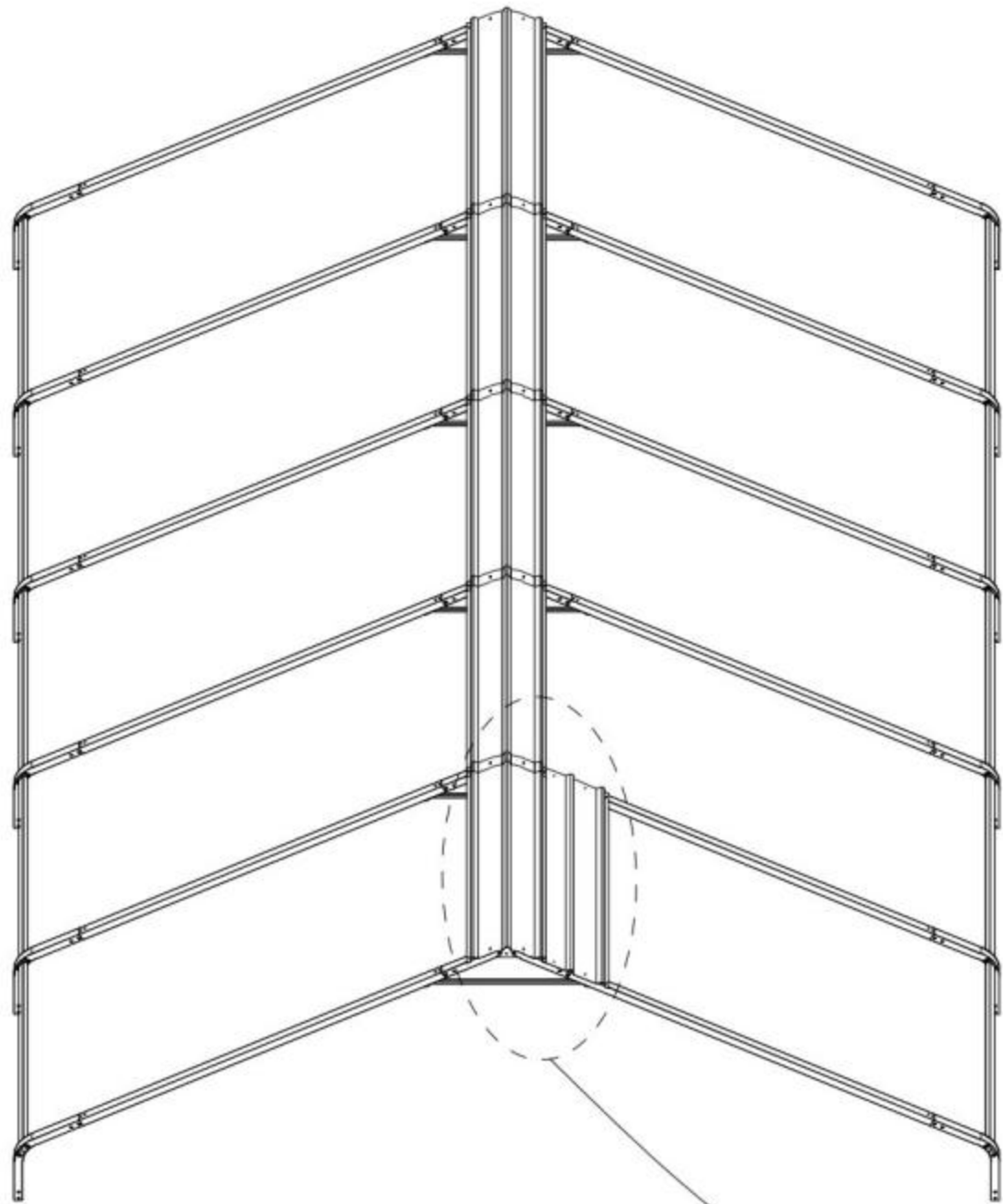
#R		X4
#Y1		
#G1		X10




3.1) The second Roof Cover (#R) needs to be placed on the first Roof Cover (#R)

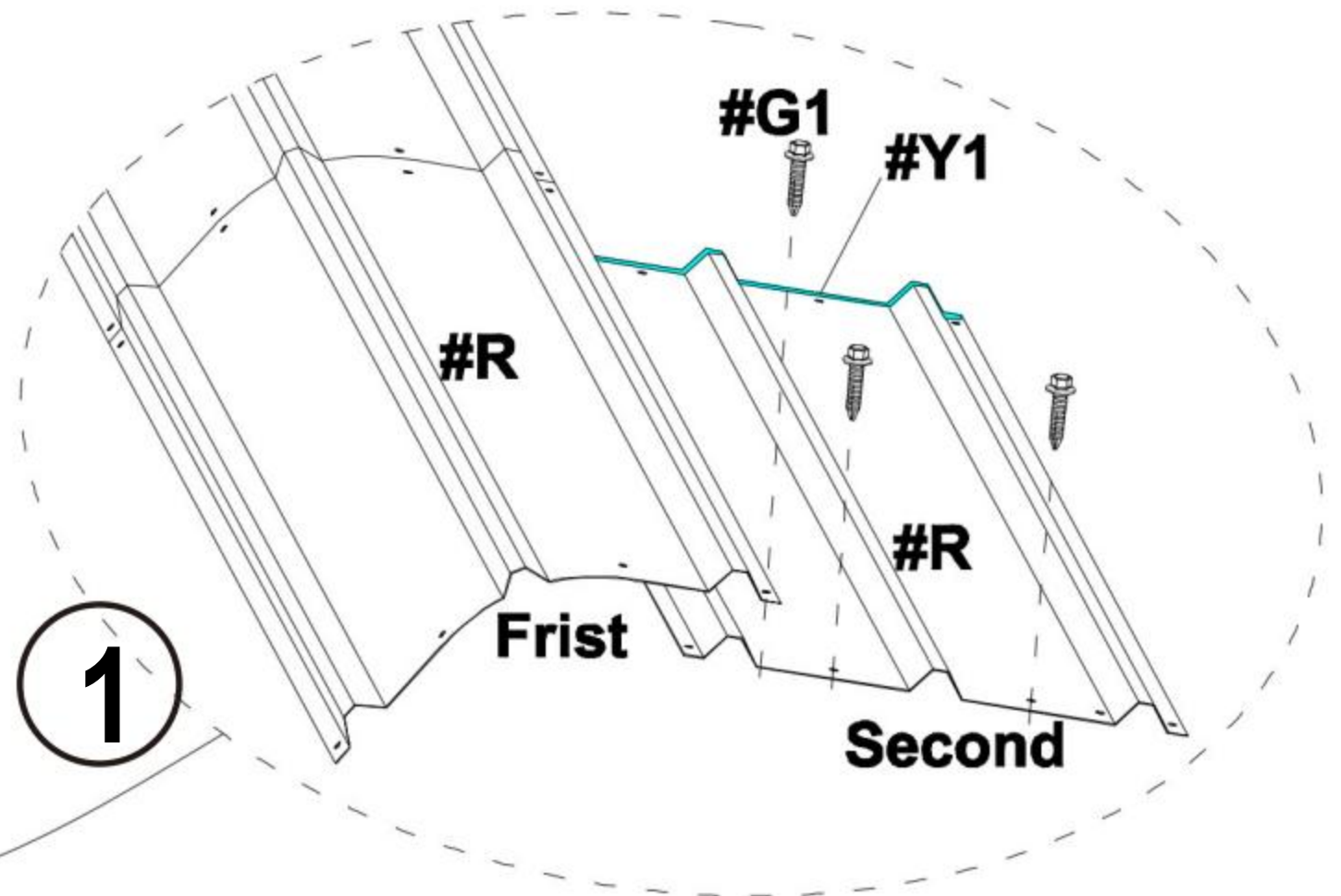
3.2) Follow the previous steps and continue to install the remaining Roof Cover (#R) in the middle row.



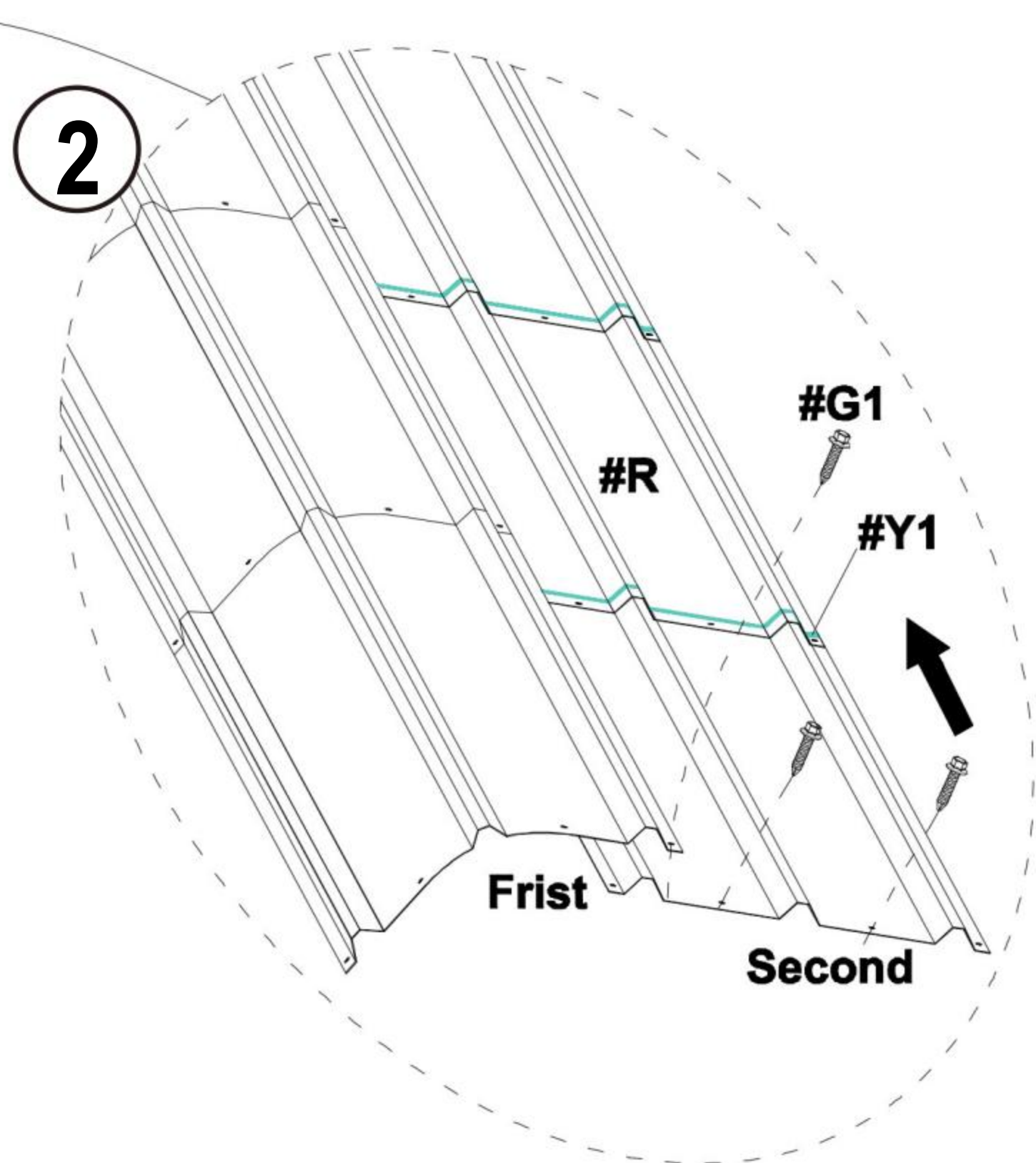
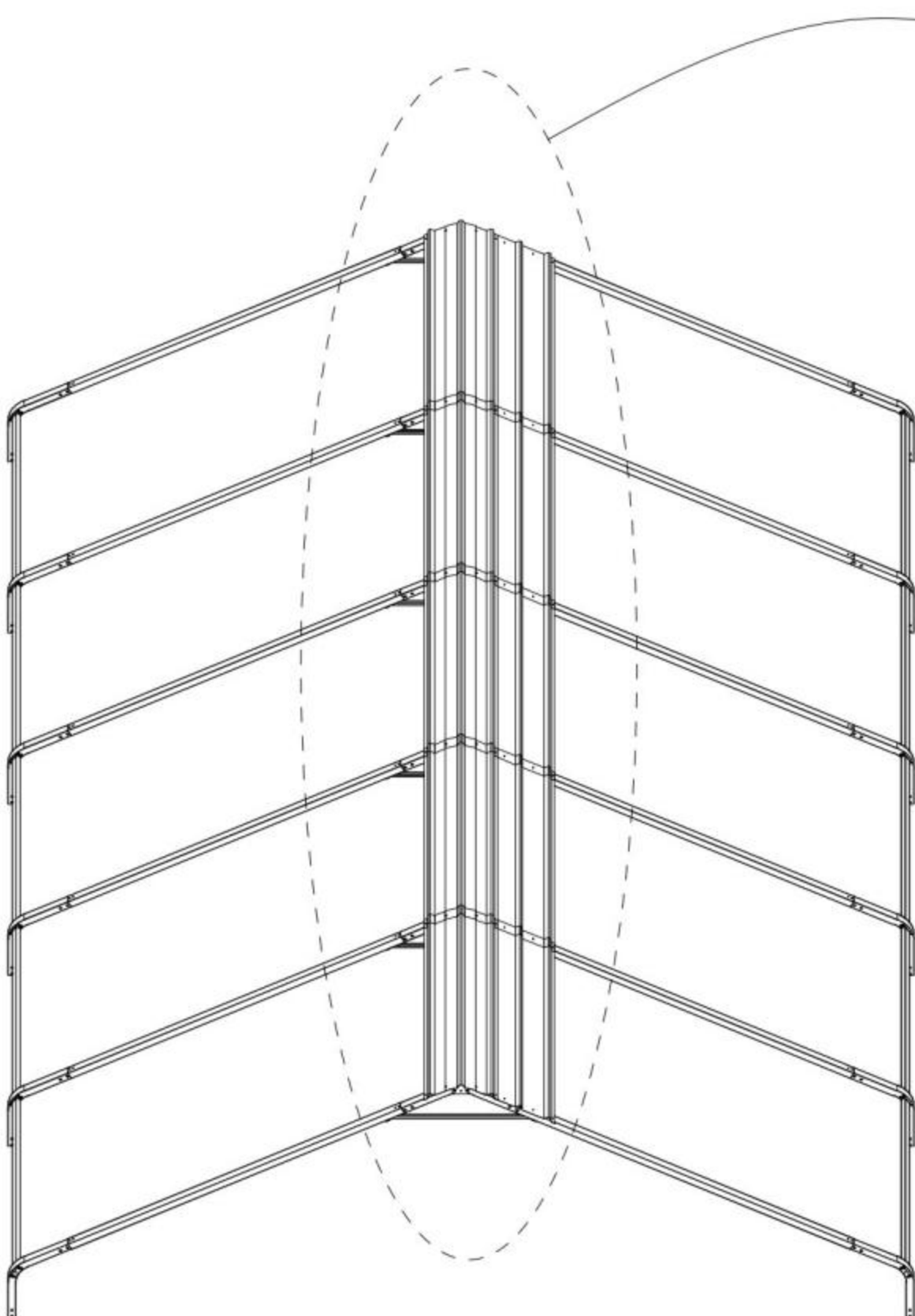
4.1) After installing the middle row, continue to install the 4 rows on the right. Each newly installed Roof Cover (#R) in a row needs to be placed below the Roof Cover (#R) in the previous row, as shown in the picture.






#R		X5
#Y1		
#G1		X18

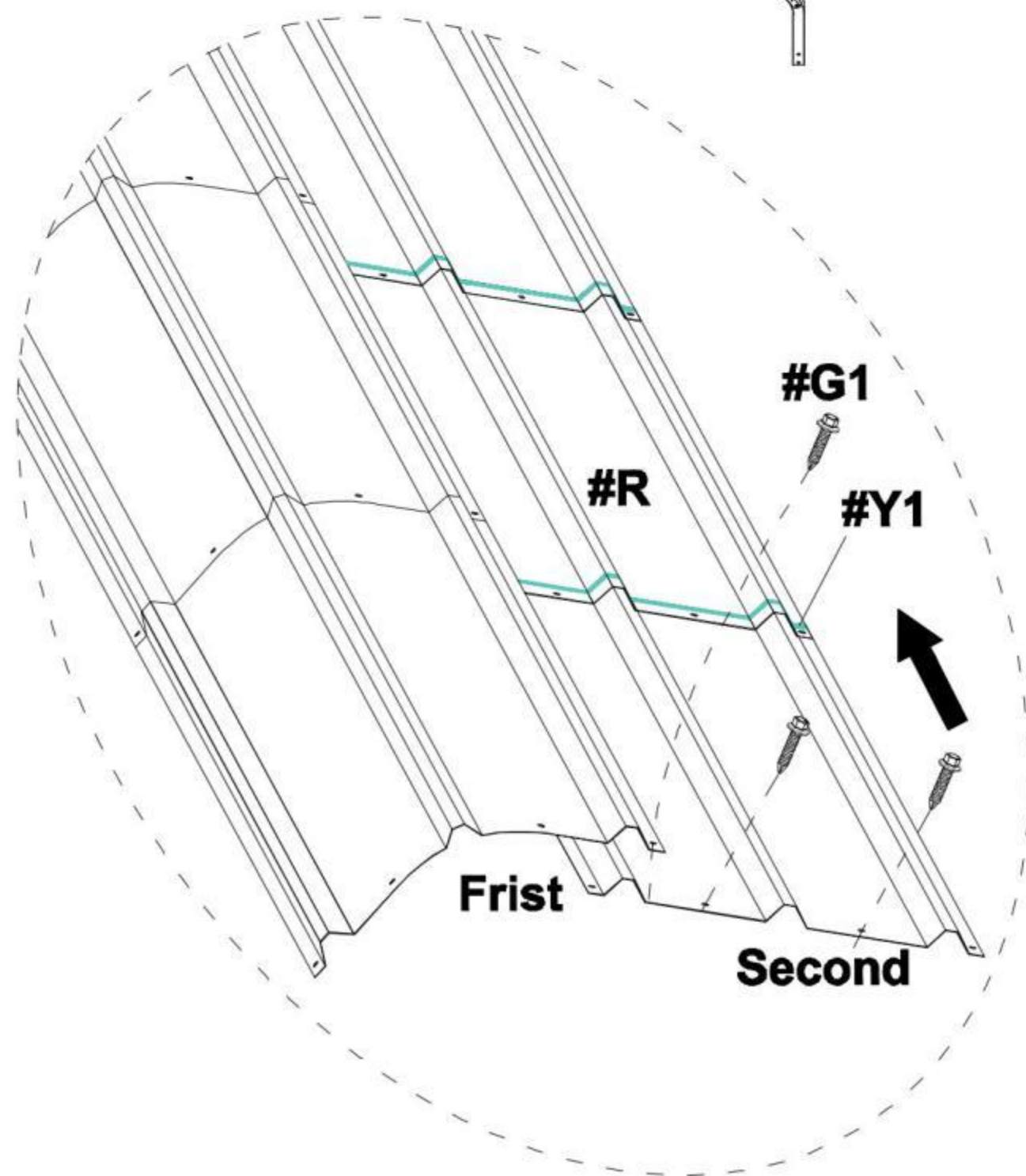
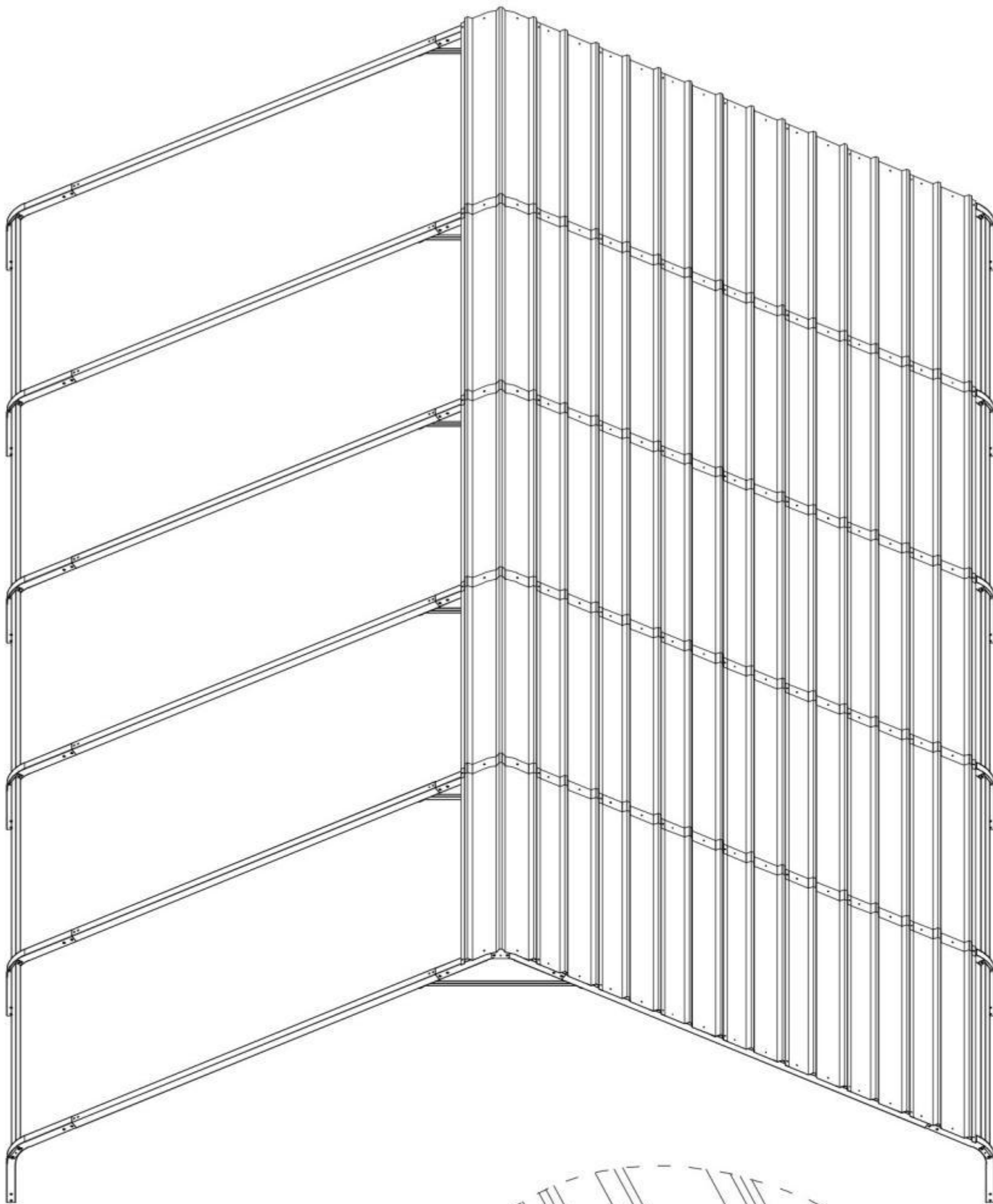


4.2) Same as the previous step, after pasting the Waterproof Tape (#Y1) of Roof Covers (#R), install the next Roof Covers (#R).






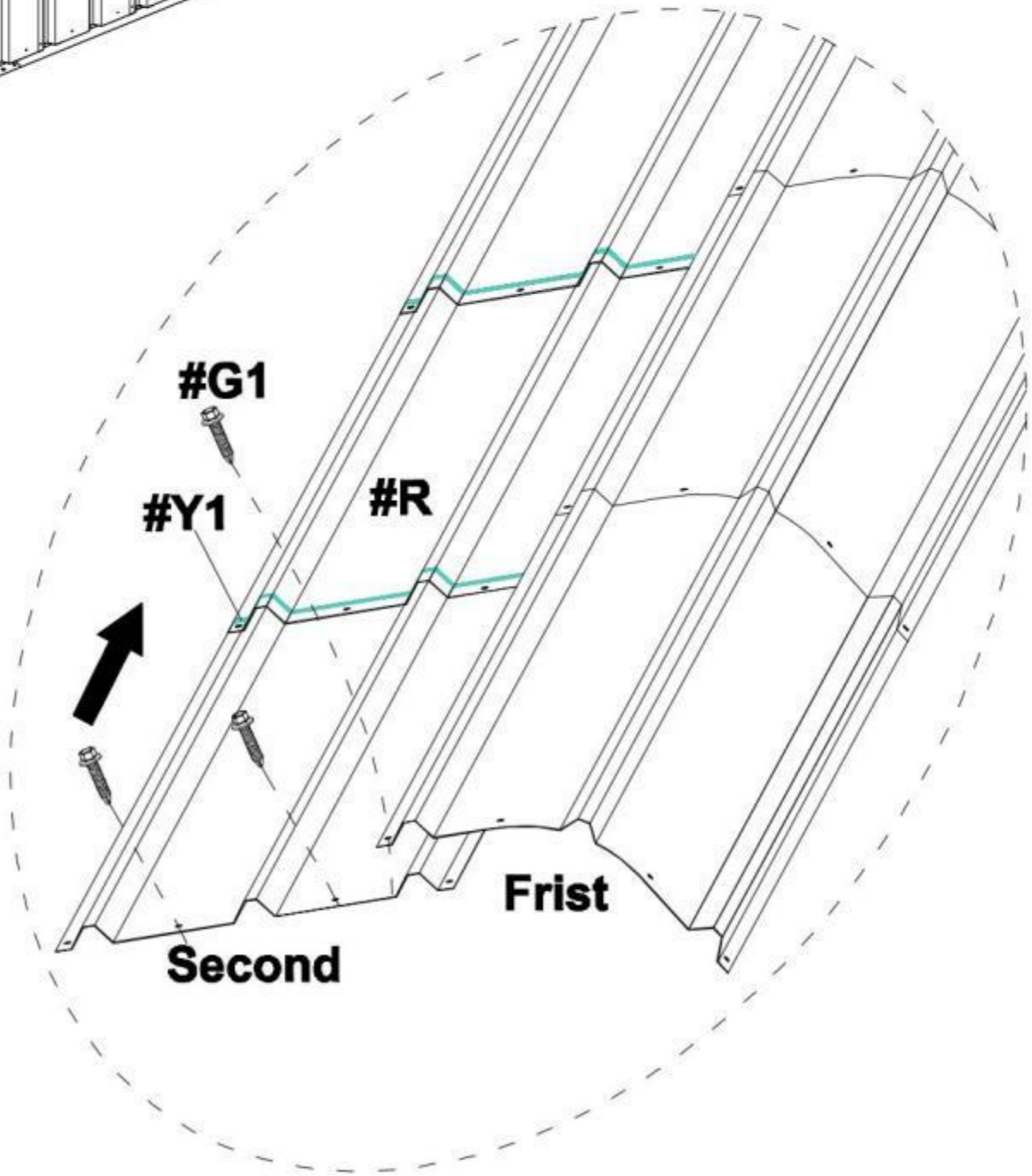
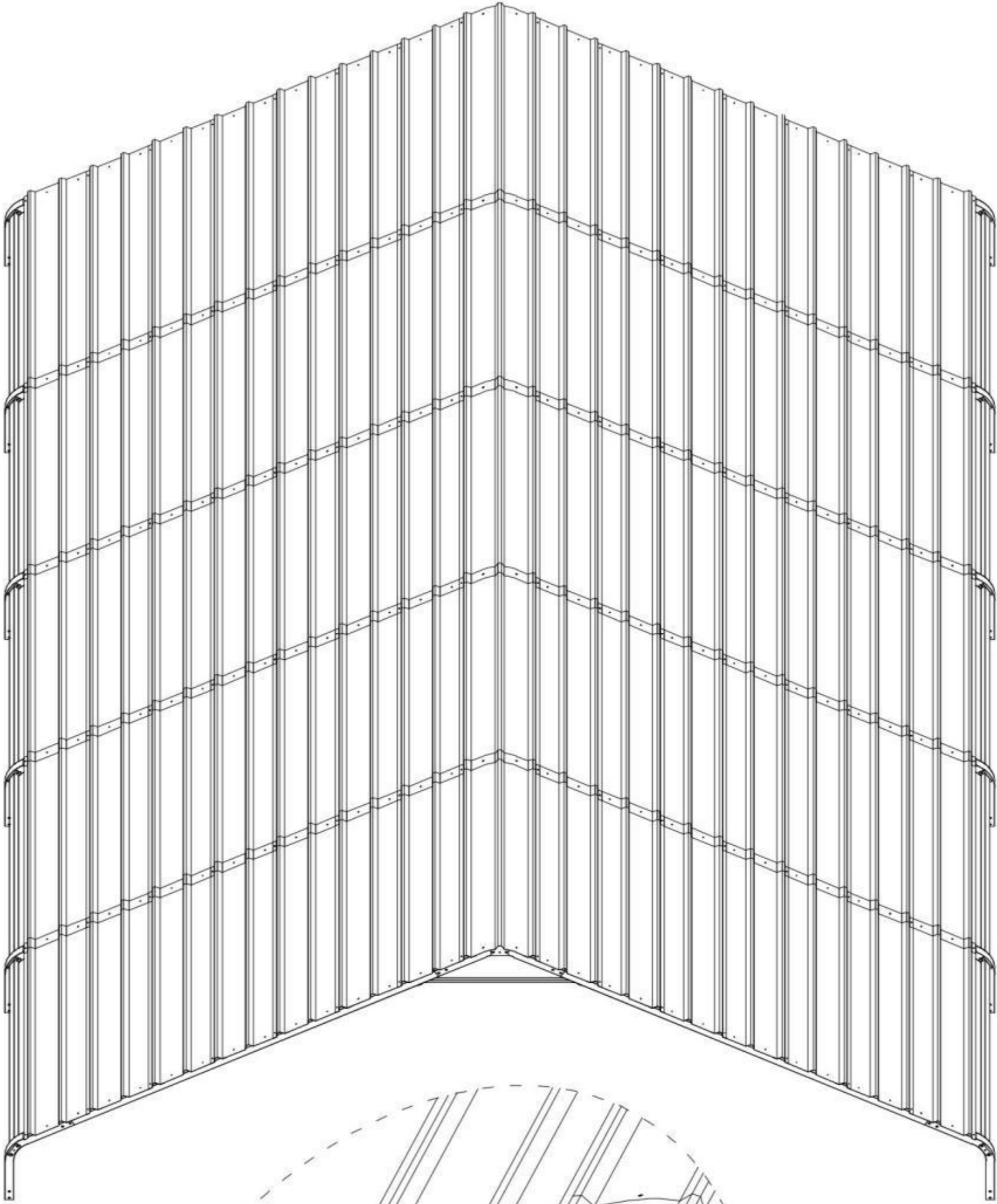
4.3) Follow the previous steps and continue to install the Roof Cover (#R) in the remaining 6 rows on the right.

#R		X30
#Y1		
#G1		X108



5.2) Same as the installation steps for the 6 rows on the right, please complete the installation of Roof Cover(#R) of the 7 rows on the left.

#R		X35
#Y1		
#G1		X126

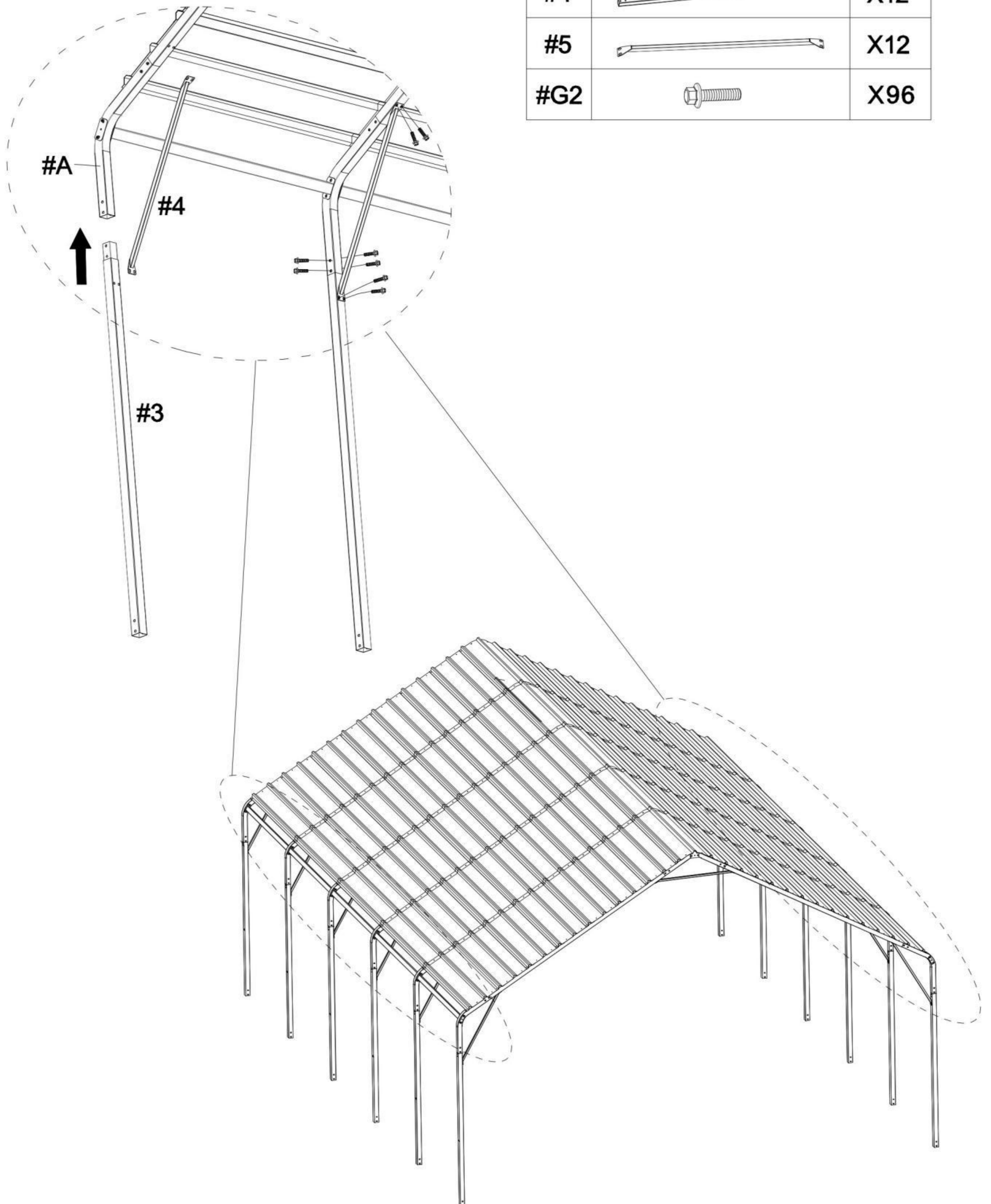


## STEP 5: Connect Legs

1) Install Leg Pole(#4) and Top Reinforcing pole(#5) to the Connector(#7).





2) The linking screws in this step are all: Hex Head Cap Bolt (#G2) .

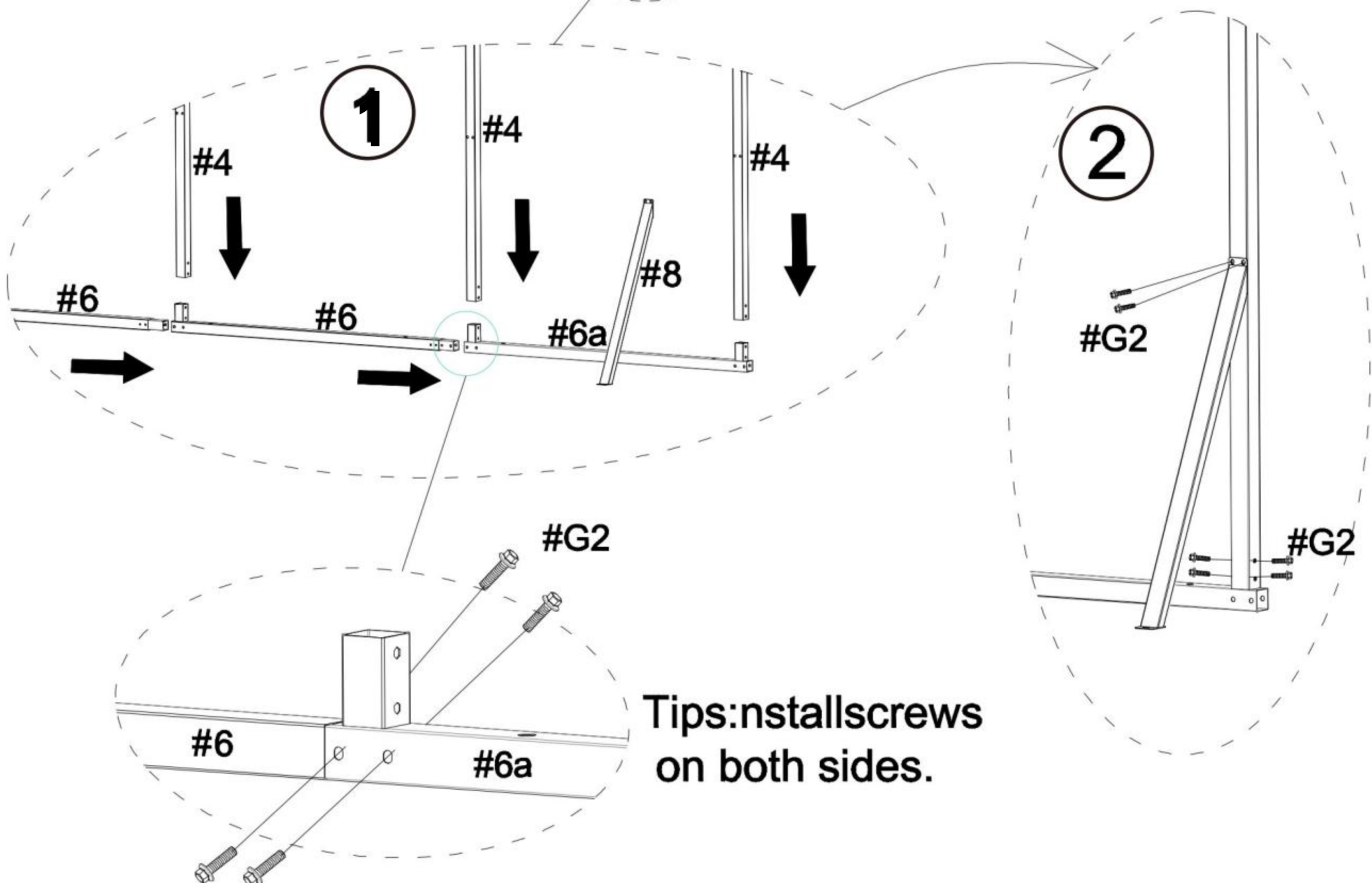
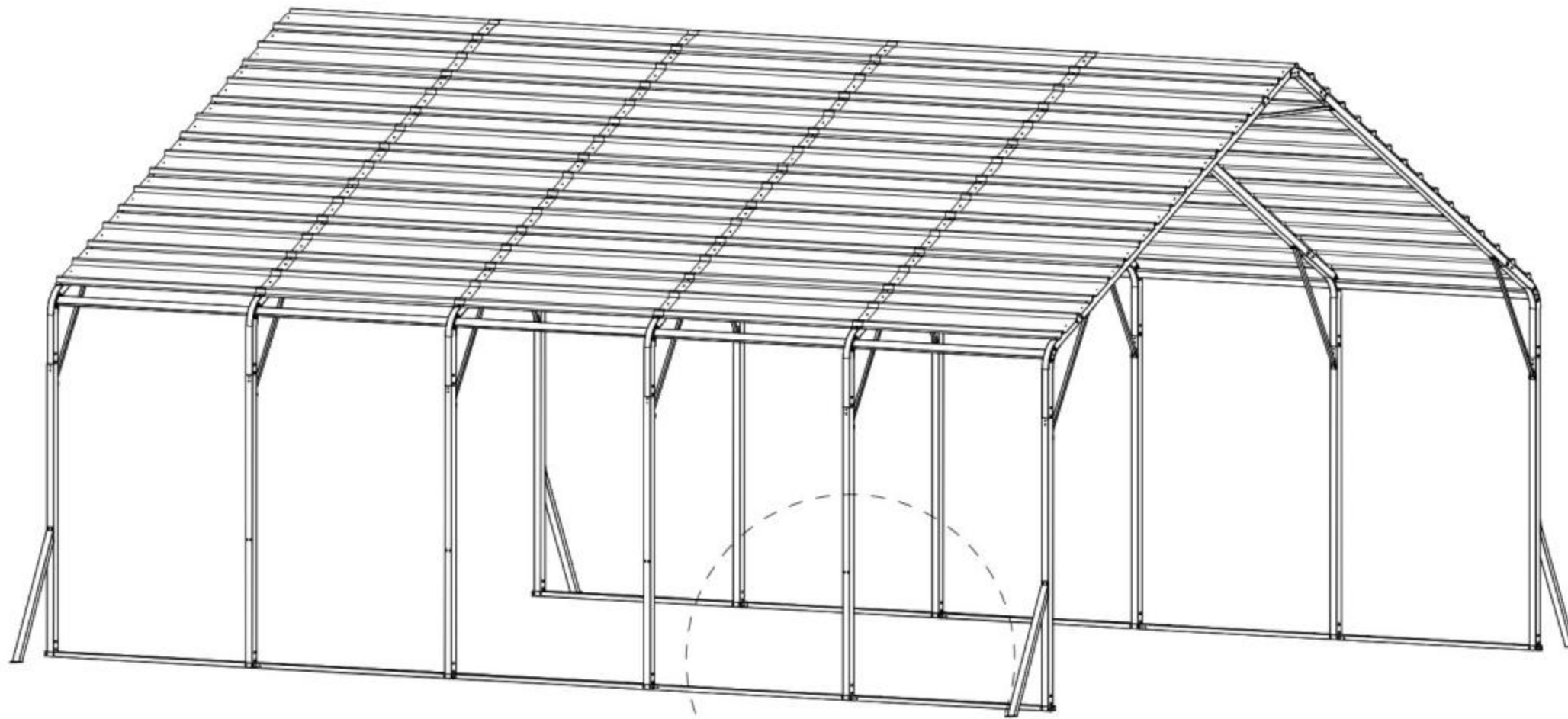
#4		X12
#5		X12
#G2		X96



## STEP 6: Reinforce the Frame

- 1) Connect all the Leg Pole(#4) to Ground bar 1(#6) and Ground bar 2(#6a)
- 2) The linking screws in this step are all: Hex Head Cap Bolt (#G2) and Expansion screws (#G3).

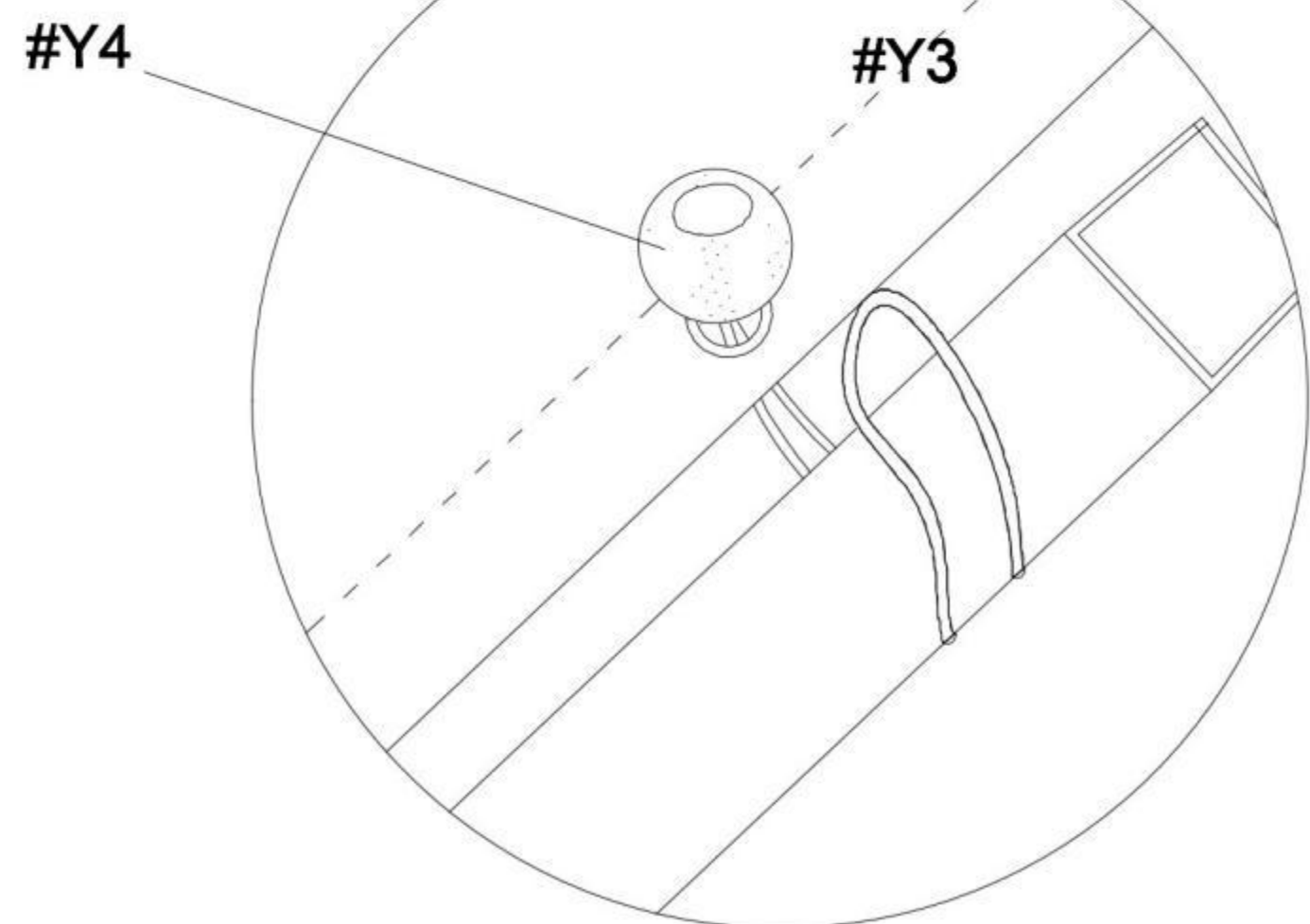
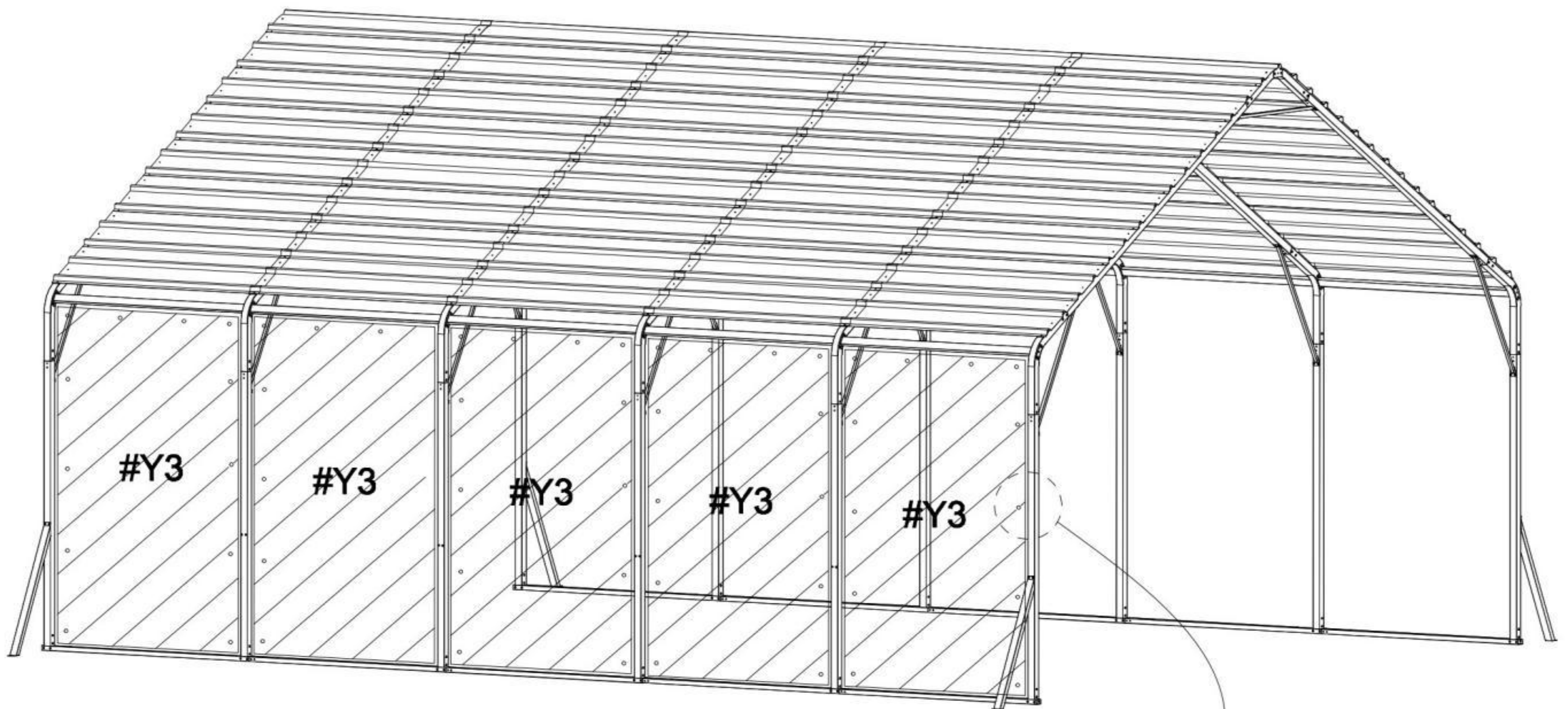
#6		X8
#6a		X2
#8		X4
#G2		X88



# STEP 7: Reinforce the Frame

Secure 5 wall cloths (#Y3) to the frame with rope beads (#Y4)



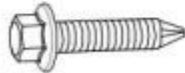
#Y3		X5
#Y4		X60

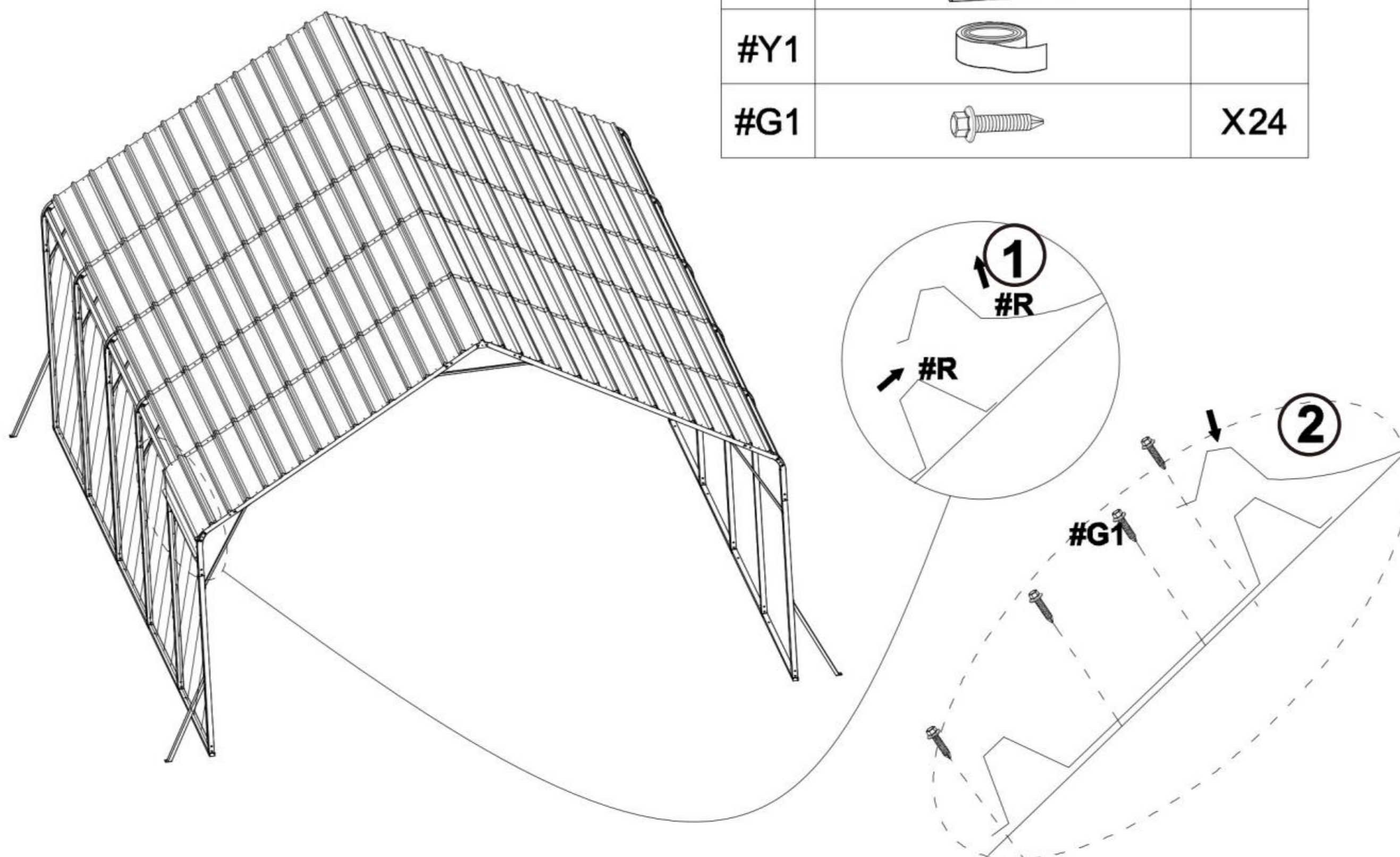


## STEP 8: Install the Side Roof

After installing the Leg Pole(#4), continue to install the Roof Cover (#R) in the 4 rows on the left and right sides.

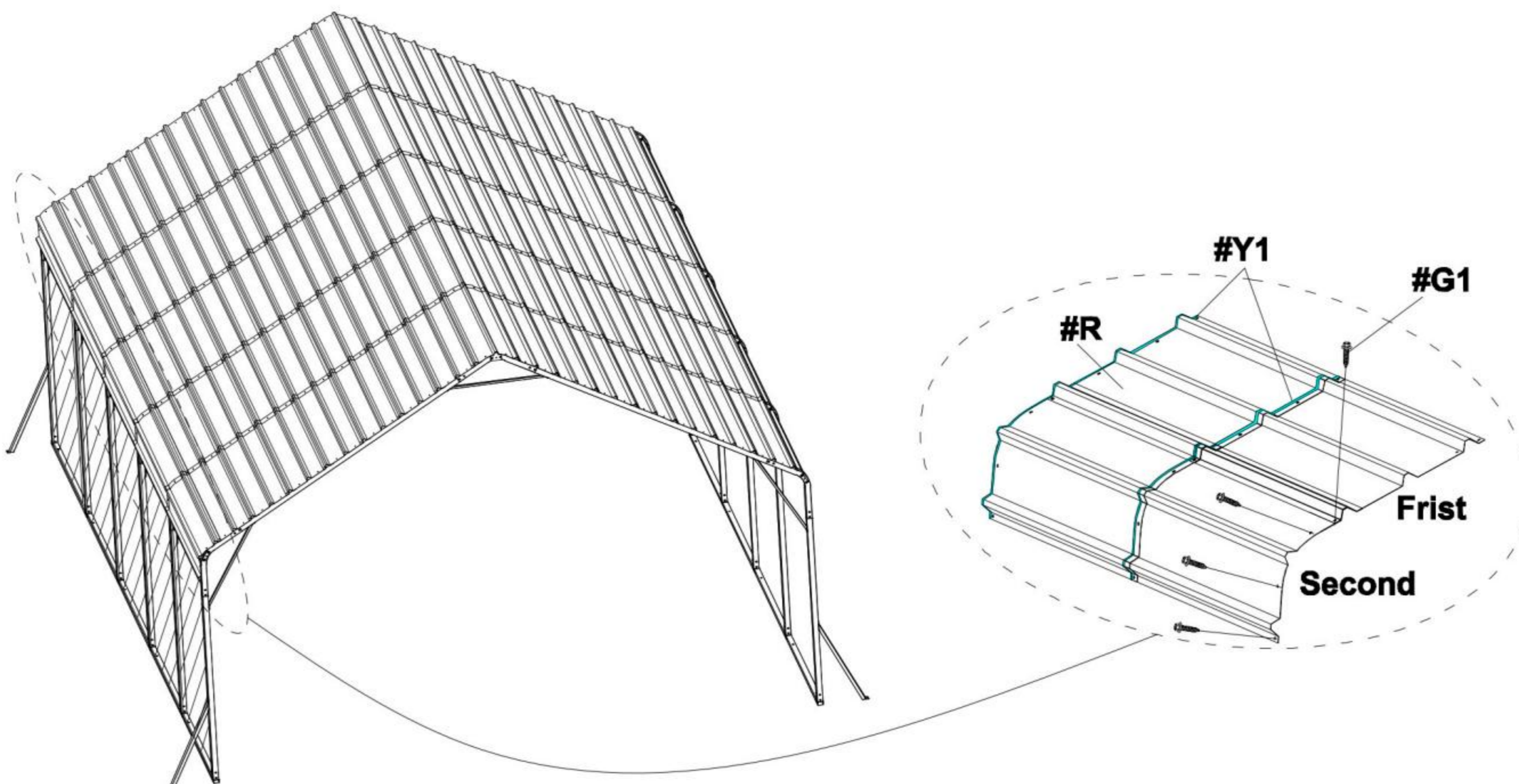
1) First install the Roof Cover (#R) in the left row, as shown in the picture.

#R		X5
#Y1		
#G1		X24

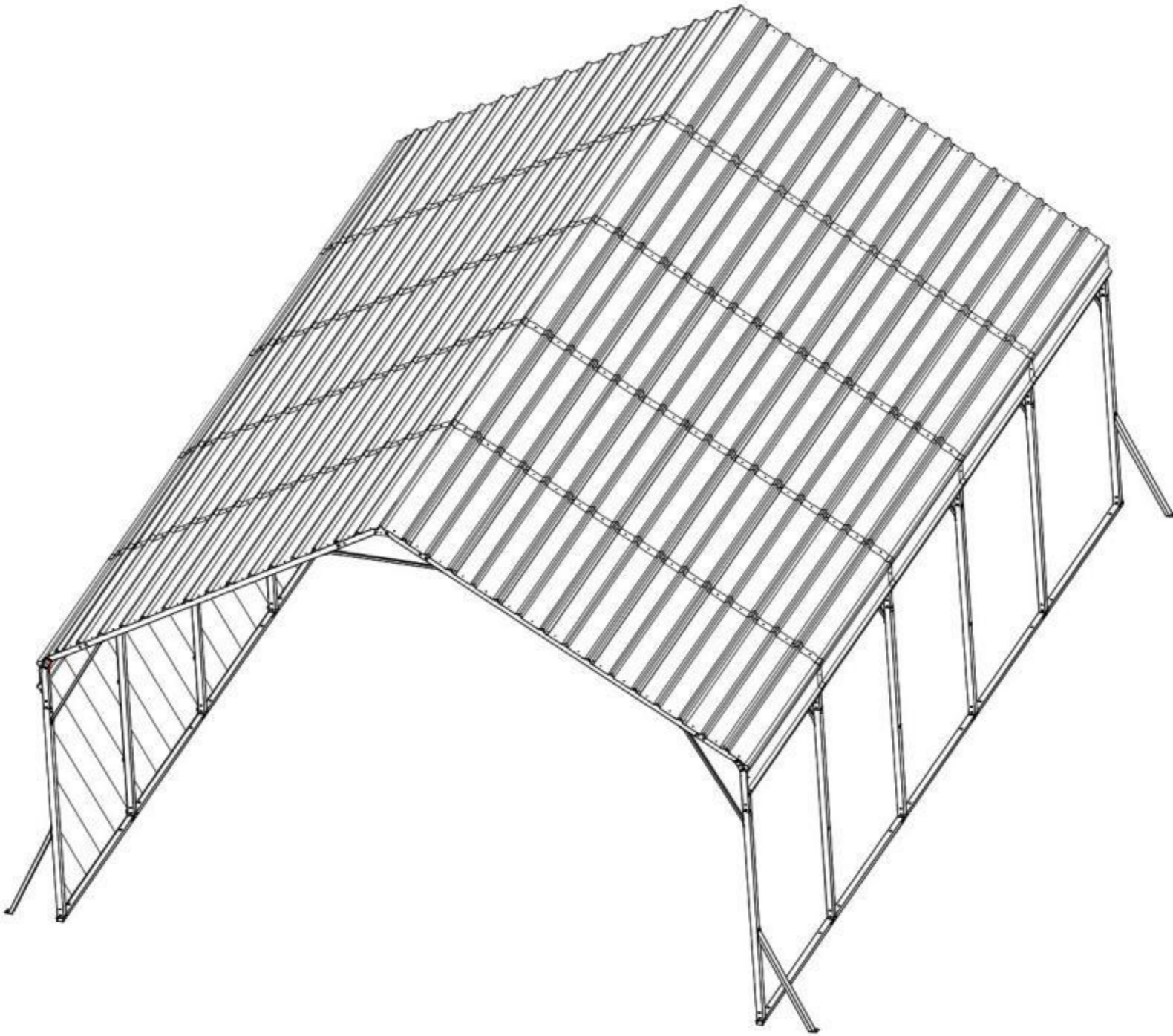




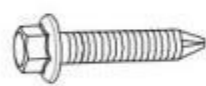

### Notice:

1. Make sure that the screw holes are aligned, and then press the Waterproof Tape (#Y1)
2. Make sure there are no gaps between the two roof covers to prevent water leakage
3. The second Roof Cover (#R) needs to be placed on the first Roof Cover (#R)



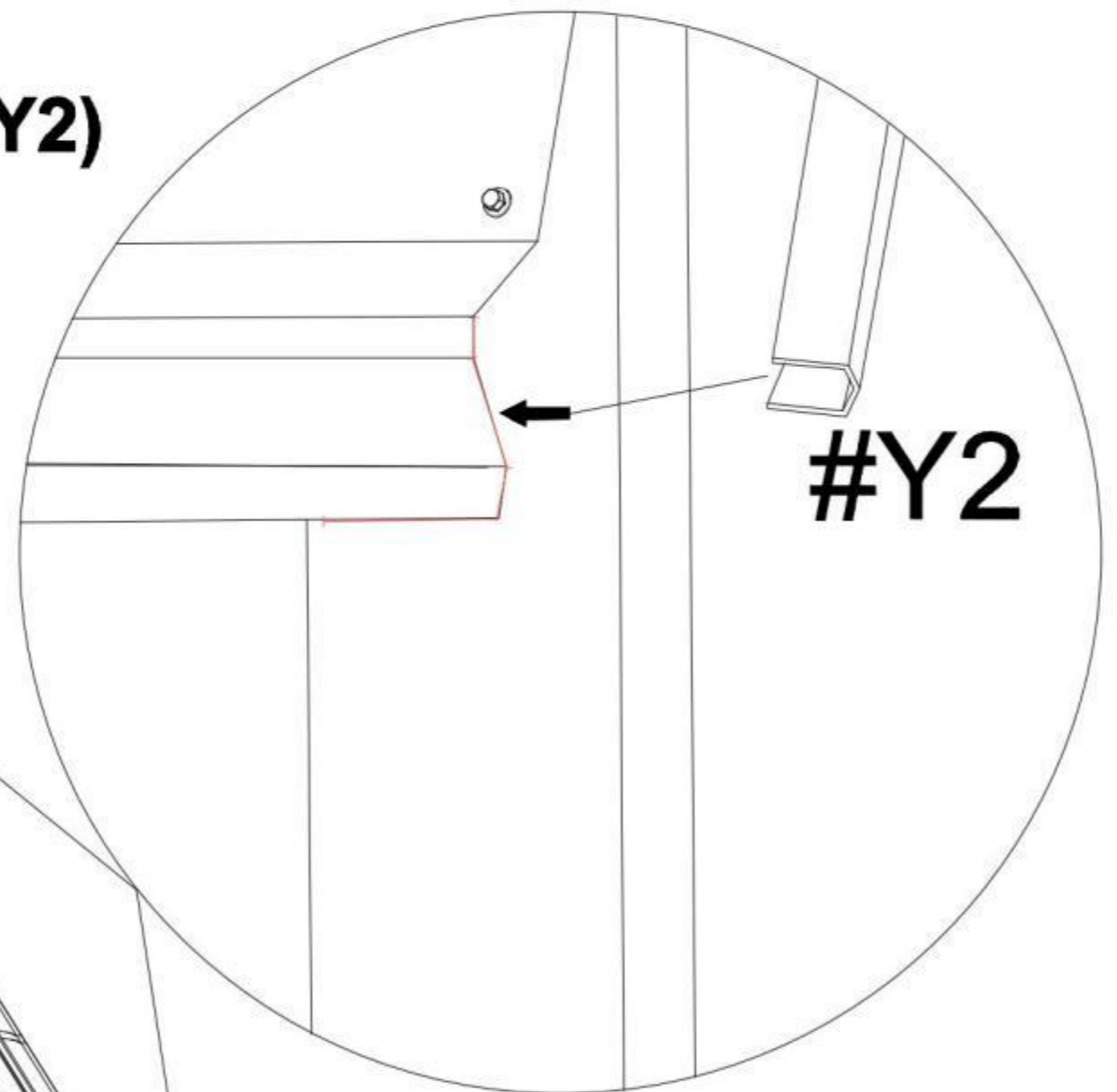
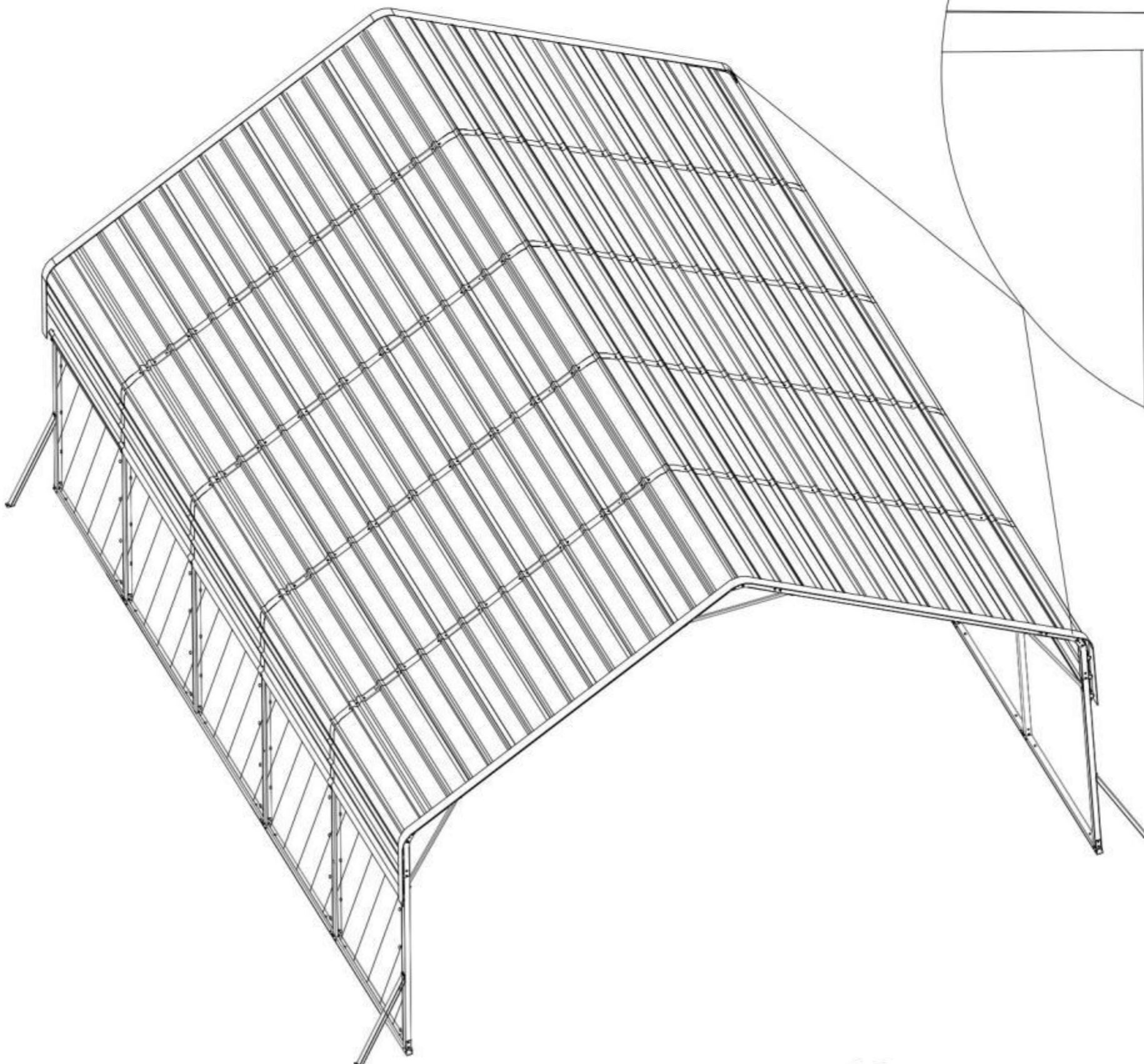
2) Follow the previous steps and continue to install the Roof Cover (#R) in the remaining 1 rows on the right.



#R		X5
#Y1		
#G1		X24
#Y2		

### STEP 9: Install the Anti-cut Tape (#Y2)

1) Wrap the Anti-cut Tape (#Y2) around the outer edge of the Roof Covers(#R).





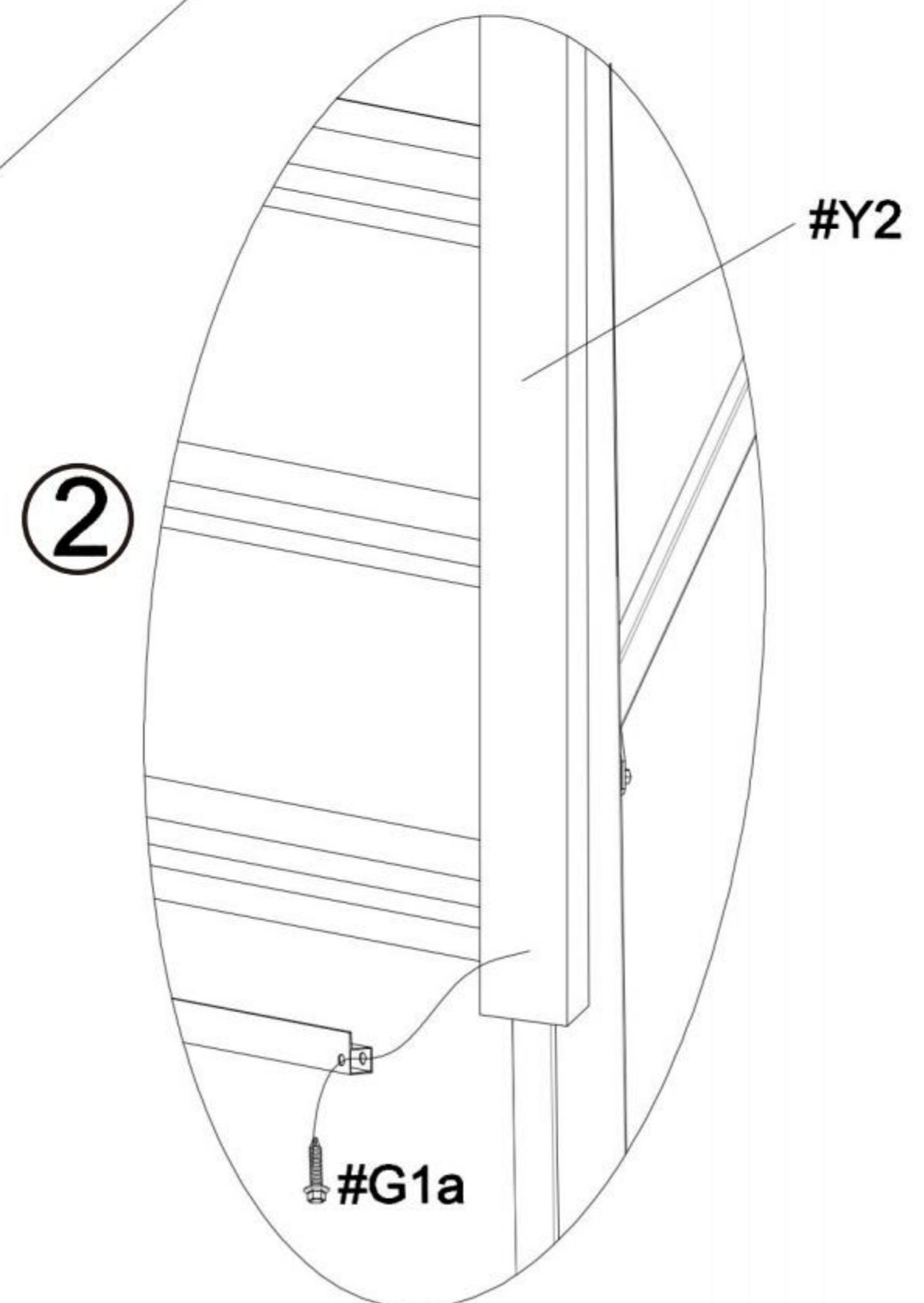
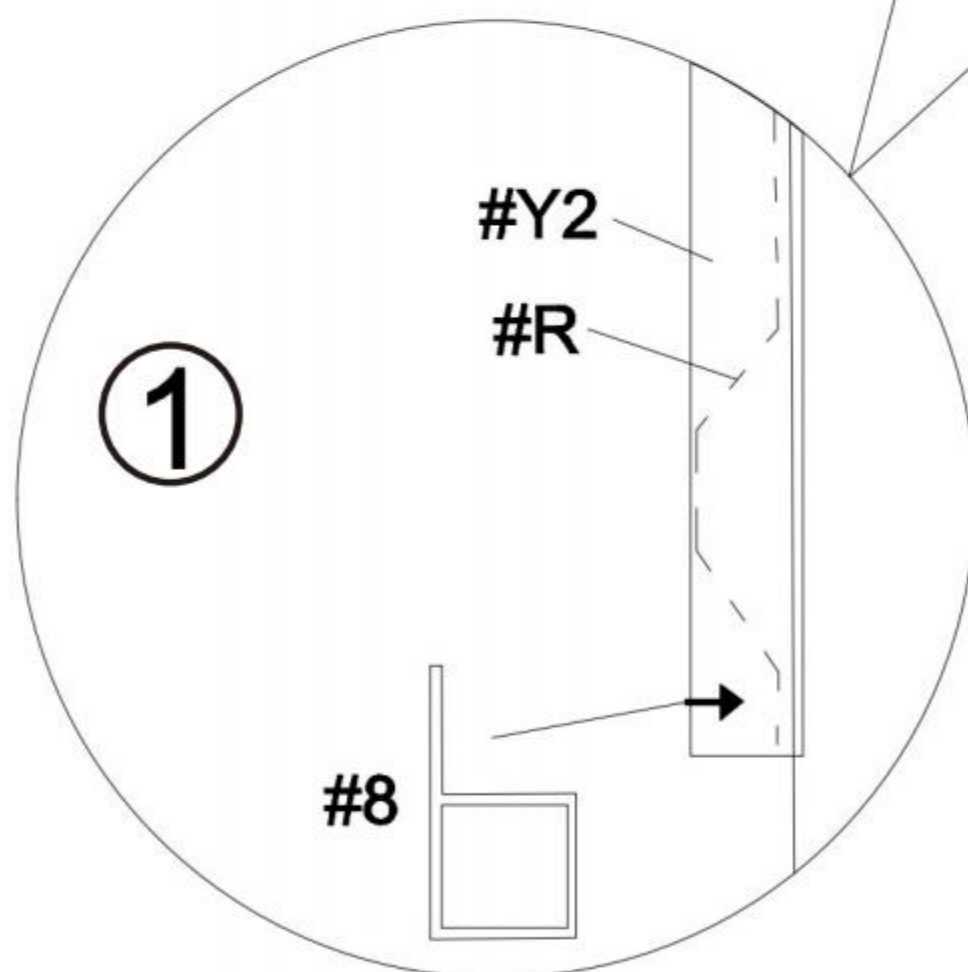
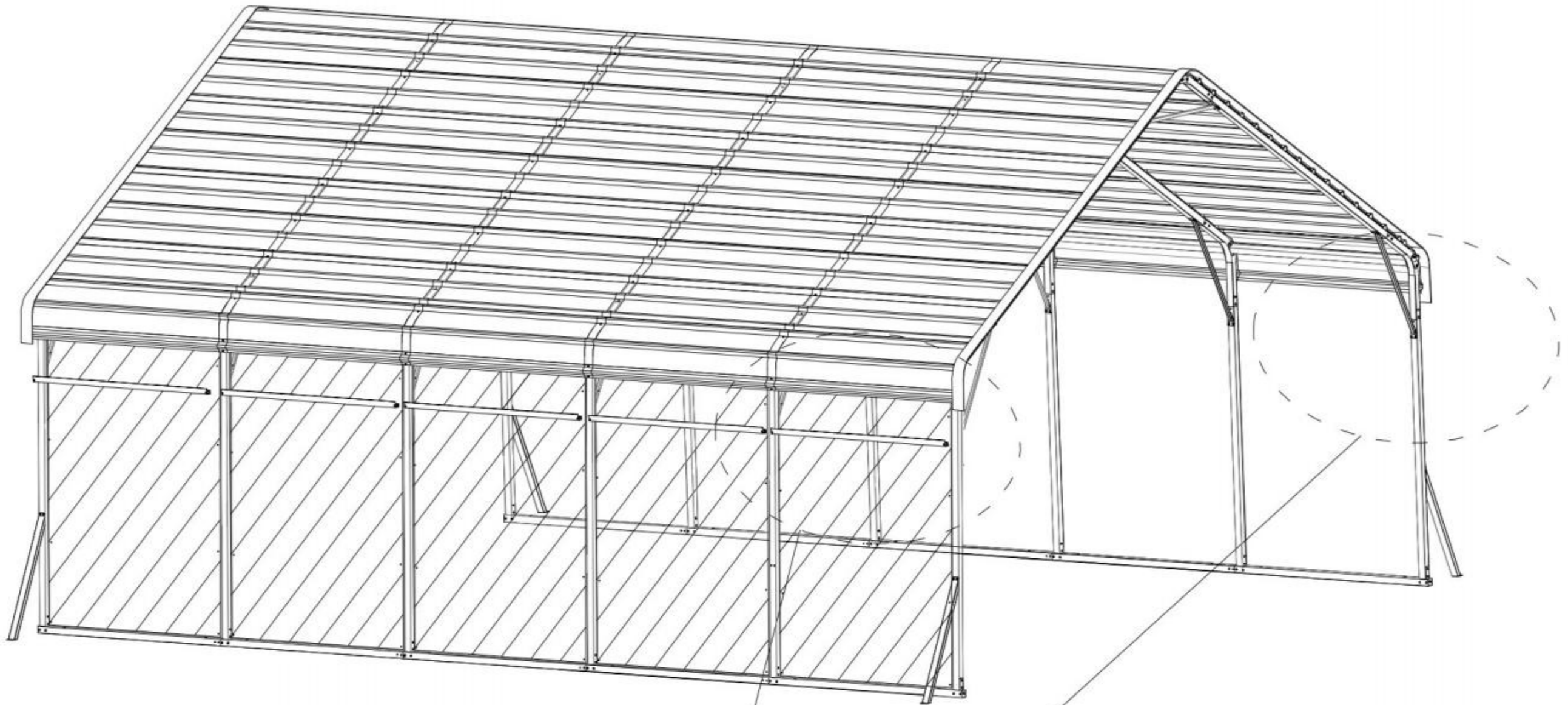
**Notice:**  
Be careful not to start from the 4 corners when wrapping the tape. Right angles are sharp and need to be avoided.

## STEP 10: Side-side defense pole

After installing I the Roof Cover (#R).on the left and right sides.

1) Install the Side-side defense pole(#9) in the left and right row, as shown in the picture.

#9		X10
#G1a		X20



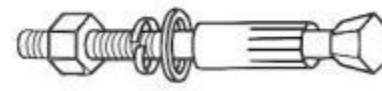
# STEP 11 : Anchor the Carport

Install the Anchor the Carport on the ground.

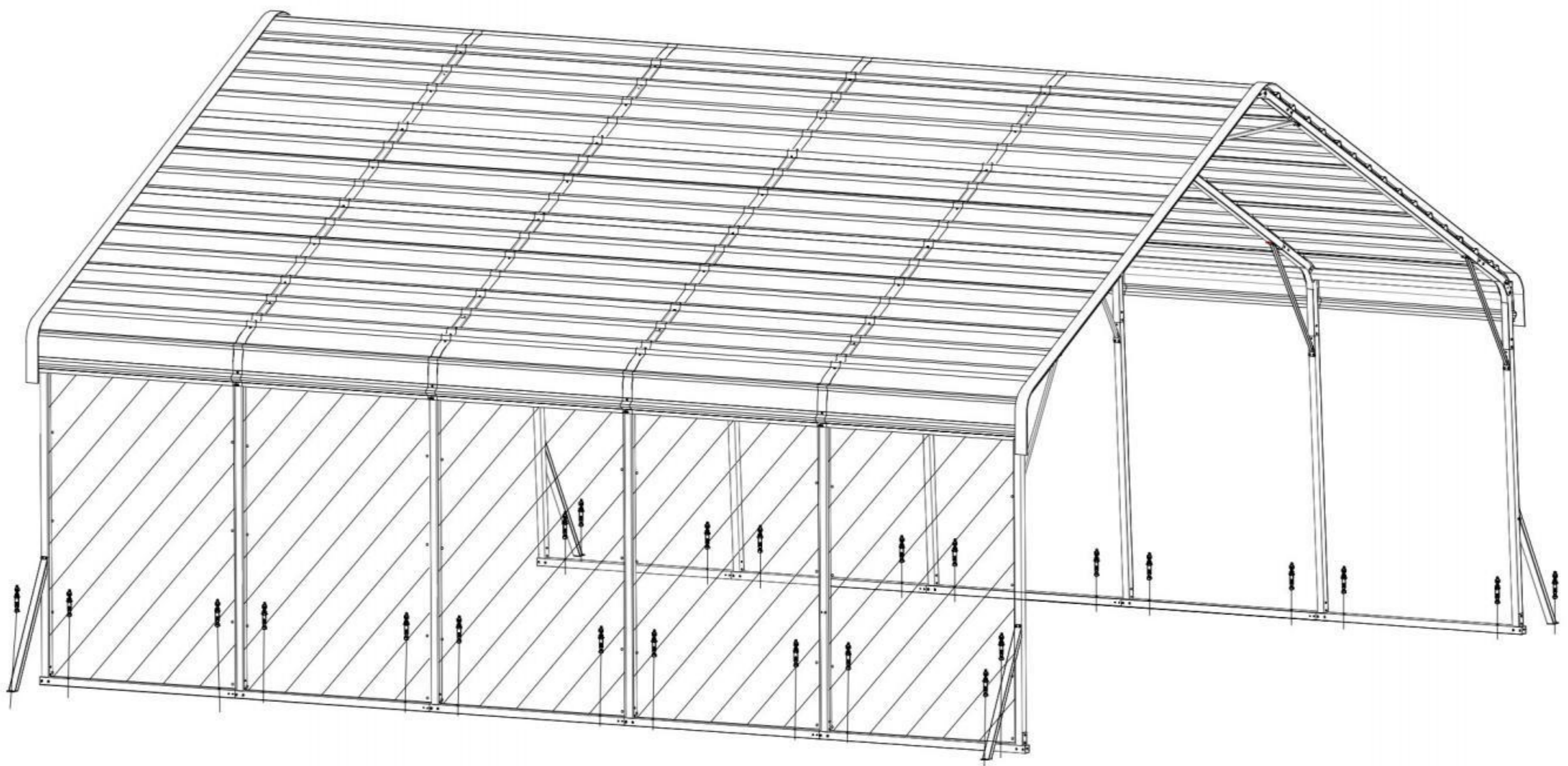
Notice:

The linking screws in this step are all: Expansion screws

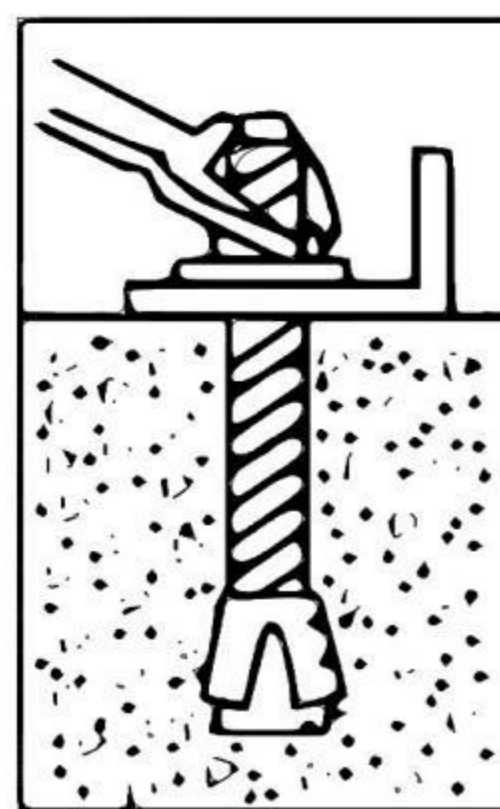
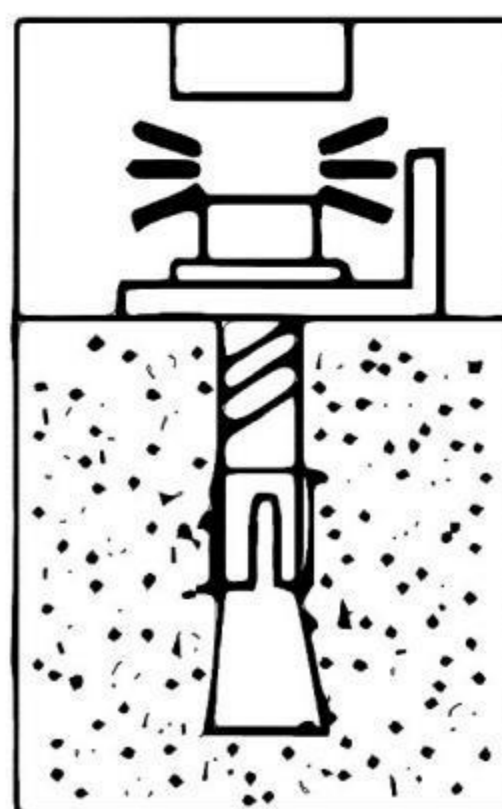
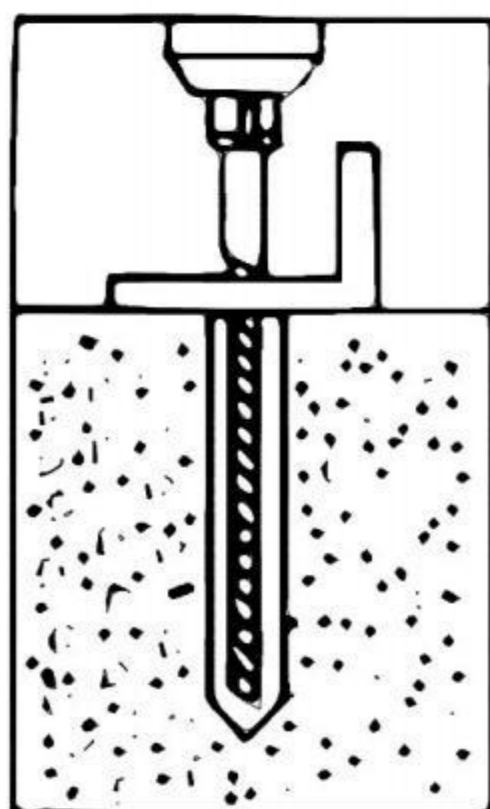
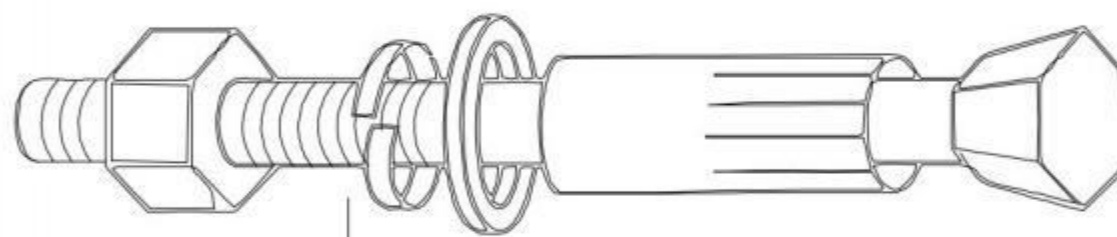
#G3



X24



# #G3





**Technique Soutien et E - Garantie Certificat**  
**[www.vevor.com / support](http://www.vevor.com/support)**

# VEVOR

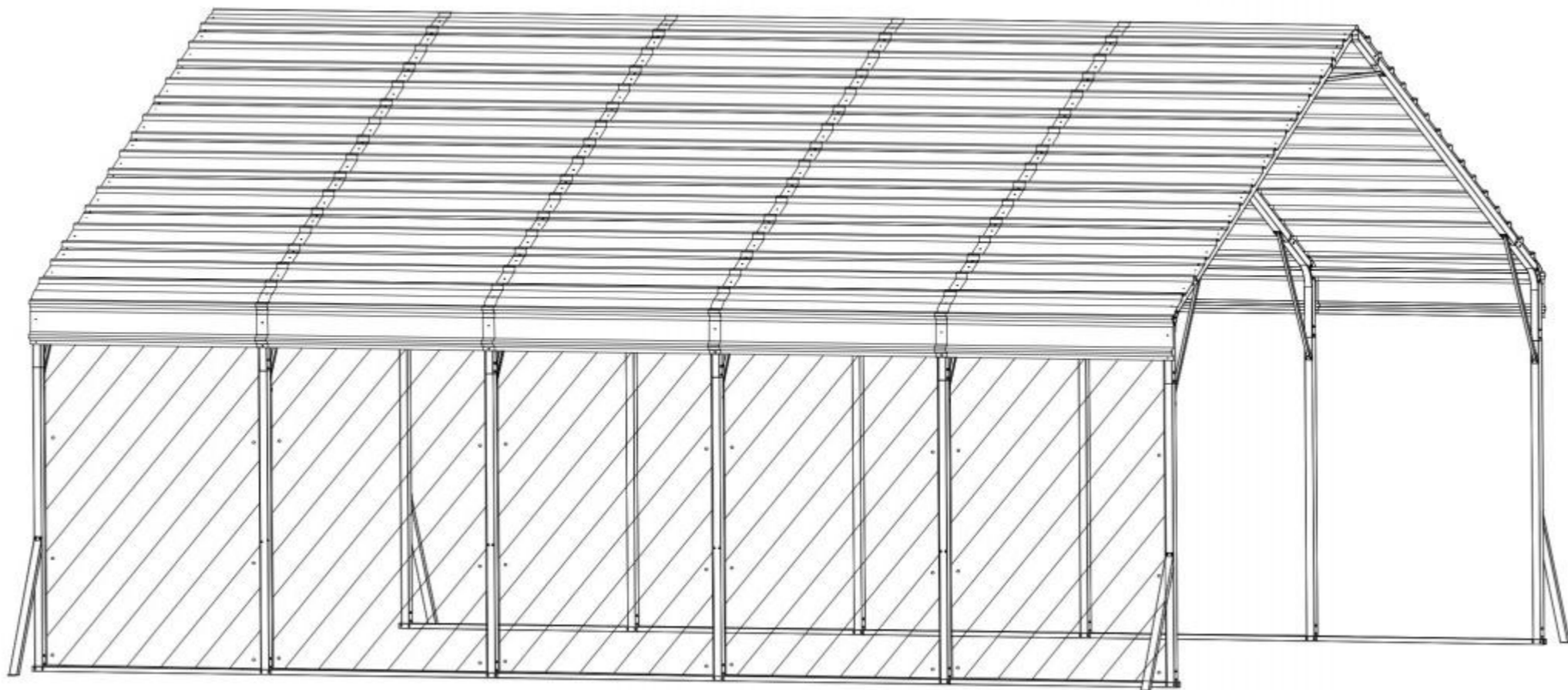
Erschwinglich . Zuverlässig.  
Heimwerkerbedarf .

Schwer Dienstwagen  
Modell: KD-TPQC-007-20x24ft

**Technical Support and E-Warranty Certificate**  
**[www.vevor.com/support](http://www.vevor.com/support)**

# CARPORT INSTALLATION INSTRUCTION

Modell : KD - TPQC -007-20x24 ft



Das Ist Die Original Anweisung , Bitte lesen alle Handbuch Anweisungen sorgfältig vor Betrieb . VEVOR Reservieren A klar Interpretation von unser Benutzer Handbuch . Das Aussehen von Die Produkt soll Sei Thema Zu Die Produkt Du erhalten . Bitte verzeihen uns Das Wir wird nicht informieren Du wieder, wenn Dort Sind beliebig Technologie oder Software Aktualisierungen An unser Produkt .

***IMPORTANT! PLEASE READ THIS INSTRUCTION CAREFULLY BEFORE INSTALLATION.***

1. Have at least two adults during installation. Read all instructions carefully and follow it accordingly. Failure to do so may result to injury or damage to the carport.
2. Never set-up the product in rainy, windy or stormy conditions, especially lightning storms.
3. Keep your carport off of the steep slopes and inclination.
4. After installation ,the carport should be anchored to prevent damage and possible injury. It is the user`s responsibility to properly anchor the product.
5. Always inspect the carport and each part before use. Make sure that everything is tightly secured. Replace any worn, defective missing parts.
6. For a better installation and use experience, it is recommended to bring your own ladder, scissors, electric drill and glass glue.

## SICHERHEIT ANWEISUNGEN

### WARNUNG :

Lesen Sie dies Material vor mit diesem Produkt. Andernfalls kann Ergebnis im Ernst Verletzung.

### Vorsichtsmaßnahmen bei der Montage

1. Zusammenbau nur nach Zu diese Anweisungen . Unsachgemäße Montage kann erstellen Gefahren.
2. Tragen ANSI - zertifiziert Sicherheit Brille Und Schwerlast arbeiten Handschuhe während Montage .
3. Behalten Die Montage Bereich sauber Und gut beleuchtet .
4. Behalten Umstehende aus von Die Bereich während Montage .
5. Tun nicht montieren Wenn müde oder Wann unter Die beeinflussen von Alkohol , Drogen oder Medikamente .
6. Die Produkt Fähigkeiten anwenden Zu richtig Und vollständig Nur montierte Produkte.
7. Zusammenbauen An A flach , eben , hart Und glatt Oberfläche fähig von sichere Unterstützung der Wooden Garderobenständer.
8. Für zusätzlich Information hinsichtlich Die Teile aufgeführt In Die folgenden Seiten, Bitte siehe die Montage Diagramm dieses Handbuch. Auspacken und trennen Sie alle Teile in einem saubere Arbeit Bereich.

### Verwenden Vorsichtsmaßnahmen

1. TUN NICHT SITZEN ODER STEHEN AUF DIESEM ARTIKEL.
2. Dies Produkt Ist kein Spielzeug. Tun Kindern nicht erlauben, spielen mit oder nahe Das Artikel.
3. Tun nicht überschreiten angegeben Gewicht Kapazitäten .
4. Nutzung nur An A flach , eben , hart und glatt Oberfläche Das dürfen sicher unterstützen A voll geladen Holz Saal Baum .
5. Verwenden als nur beabsichtigt.
6. Inspizieren vor jedem verwenden; tun nicht verwenden wenn Teile lose sind oder beschädigt.

### SPEICHERN SIE DIES HANDBUCH

WICHTIG! BITTE LESEN SIE DIES ANLEITUNG SORGFÄLTIG DURCHLESEN VOR INSTALLATION.

1. Installation erfordert bei mindestens zwei Erwachsene. Alles lesen Anweisungen Sorgfältig vollständig und folgen es entsprechend. Andernfalls Mai Ergebnis In Verletzungen oder Schäden Zu Die Carport .

2. Niemals einstellen bis zum Produkt In regnerischen, windigen oder stürmischen Bedingungen , insbesondere Beleuchtung Sturms.

3. Halten Sie Ihren Carport von steilen Hängen fern und Neigung.

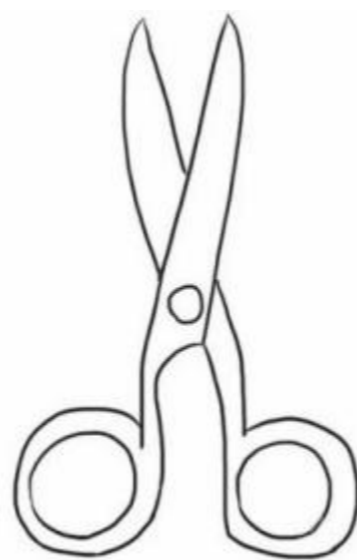
4. Nach der Installation sollte der Carport verankert Zu verhindern Schäden und möglich Verletzung. Es ist das Benutzer Verantwortung gegenüber richtig verankern Sie die Produkt.

5. Immer überprüfen Sie den Carport und jedes Teil vor Gebrauch . Machen Sicher dass alles fest verschlossen ist. Ersetzen Sie alle abgenutzten, defekt fehlen Teile.

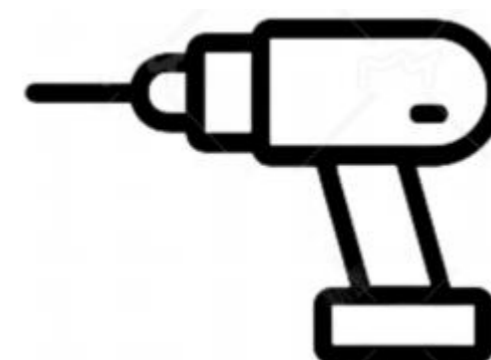
6. Für eine bessere Installations- und Nutzungserfahrung, Es Ist empfohlen Zu Bringen Sie Ihre eigene Leiter, Schere, elektrische bohren Und Glas Kleber.



Leiter













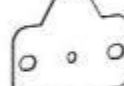
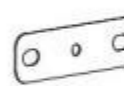
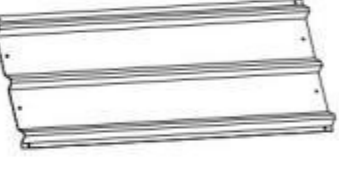



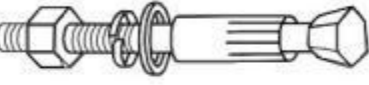

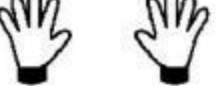




Schere







Elektrische  
Bohrmaschine

# PACKAGE CONTENTS

This carport is packed in 5 boxes. Before the installation, please check all the parts according to the part list. If there is any part missing or defective, please contact us immediately to get replacement parts.

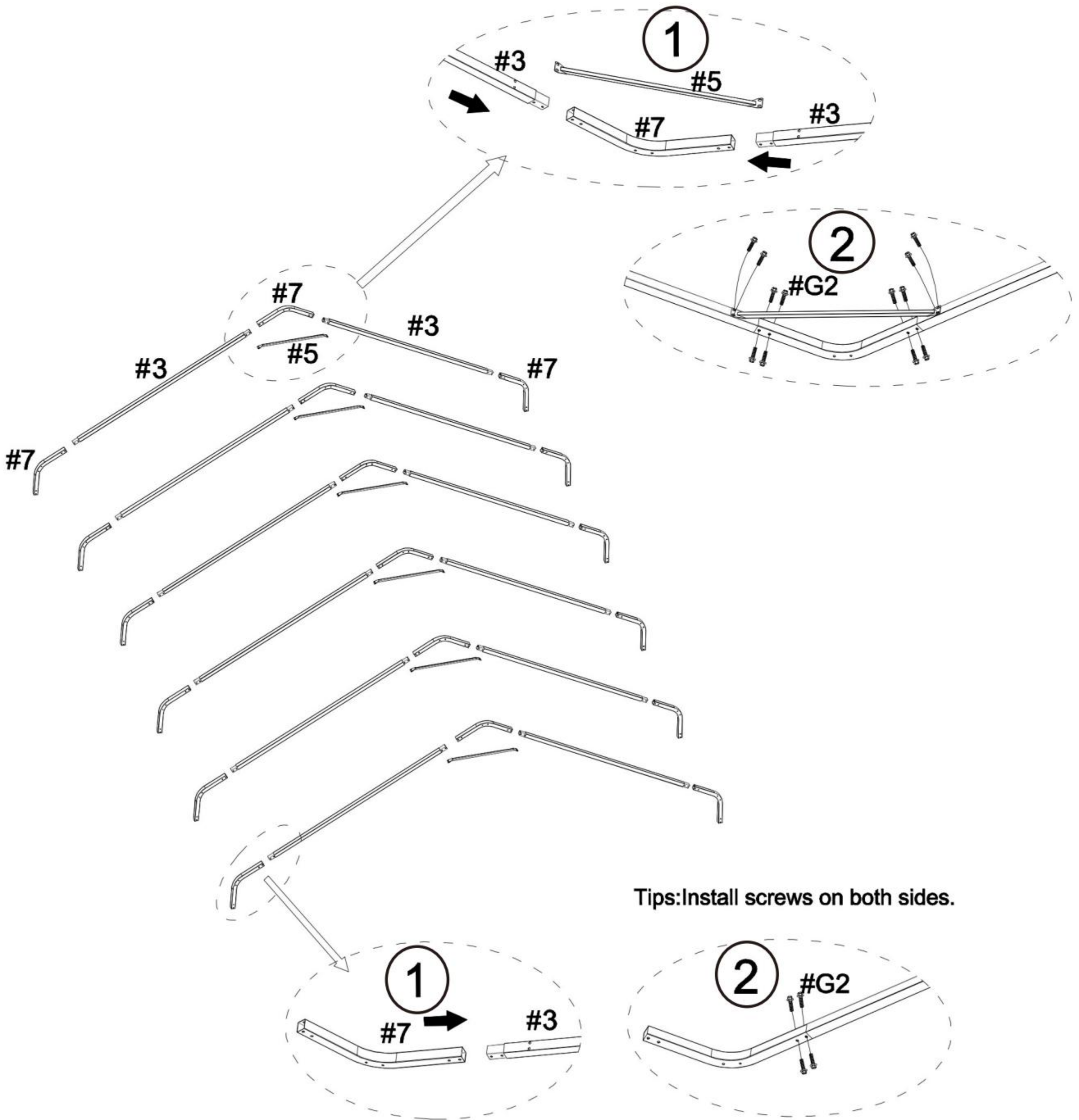
<b>Part No.</b>	<b>Part Name</b>	<b>Drawing</b>	<b>Qty</b>
#1	Side pole 1		10PCS
#2	Side pole 2		5 PCS
#3	Straight peak pole		12 PCS
#4	Leg pole		12 PCS
#5	Top Reinforcing pole		18 PCS
#6	Ground bar 1		8 PCS
#6a	Ground bar 2		2 PCS
#7	Connector		18 PCS
#8	Ground Reinforcing pole		4 PCS
#9	Side-side defense pole		10 PCS
#10	Side plate 1		3 PCS
#11	Side plate 2		4 PCS
#R	Roof cover		85 PCS
#G1	M5X20 Self-Tapping screws		322PCS
#G1a	M5X25 Self-Tapping screws		24 PCS
#G2	Socket head bolt		314 PCS
#G3	Expansion screws		26 PCS
#G4	Socket head bolt & Nut		38 PCS
#L	Gloves		2 pairs
#Y1	Waterproof tape		8 PCS
#Y2	Anti-cut tape		20 M
#Y3	Enclosure		5 PCS
#Y4	Beads of rope		60PCS

# STEP 1: Assemble the Top Frame




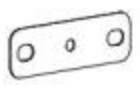

#3		X12
#5		X6
#7		X18
#G2		X120

**Notice:**

The linking screws in this step are all: Socket Head Bolt (#G2)

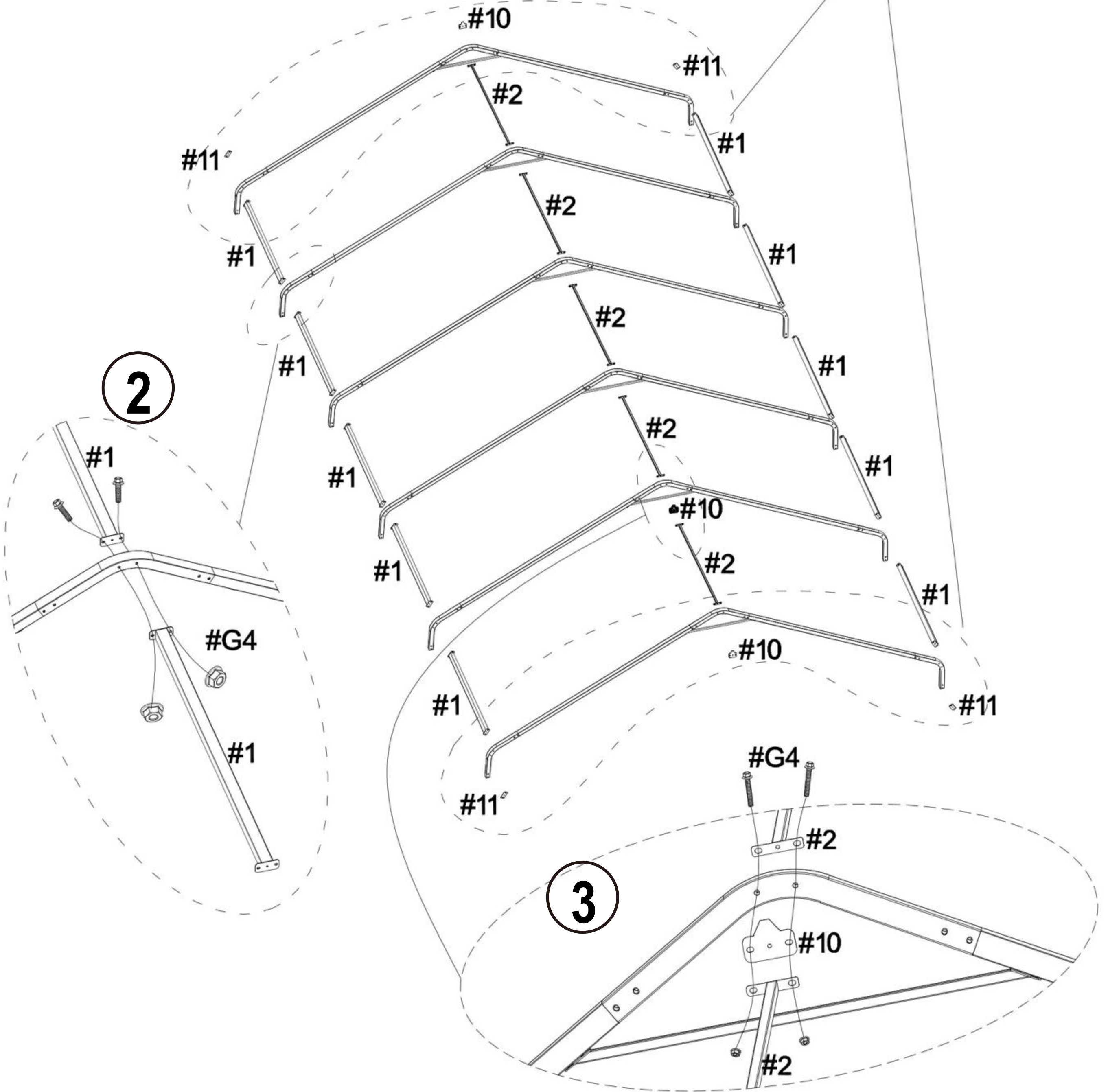
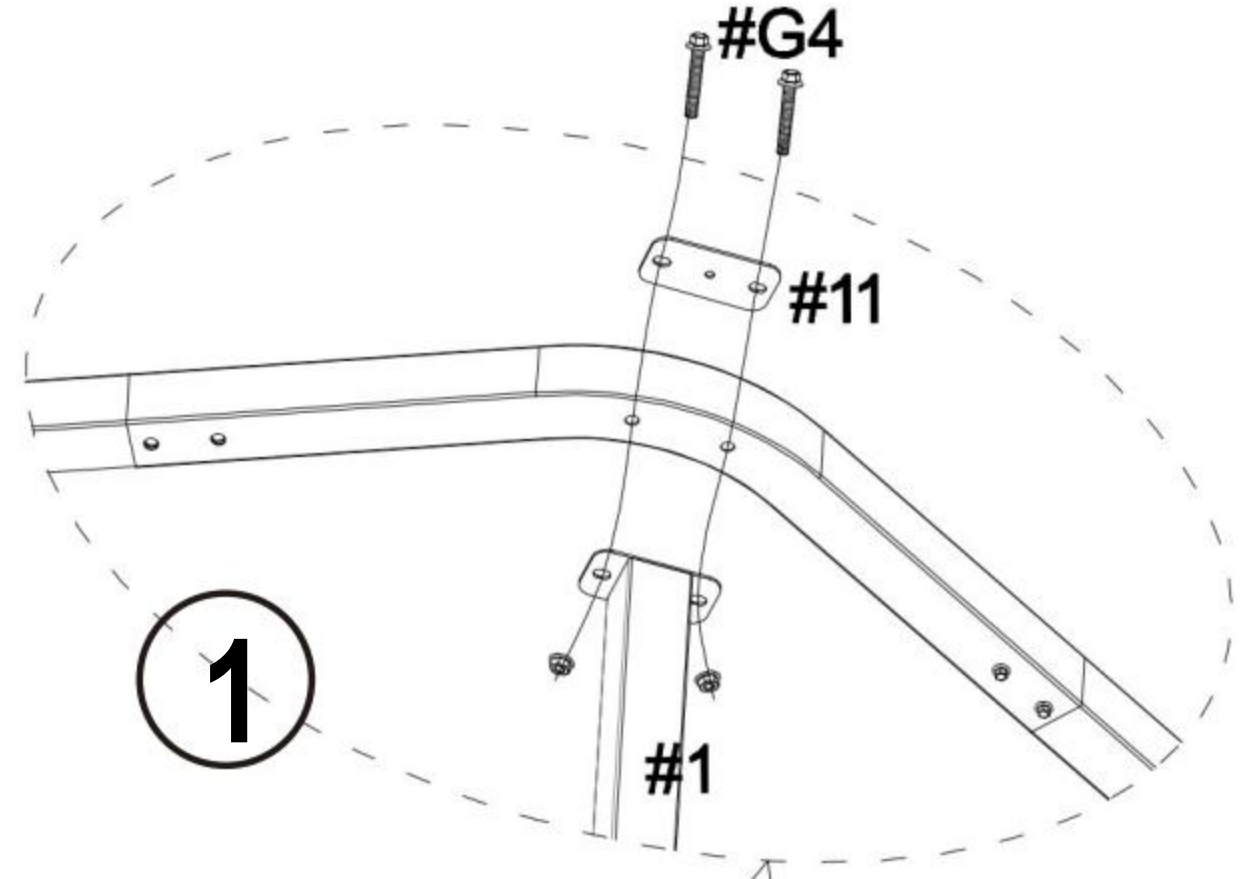


# STEP 2:

#1		X10
#2		X5
#10		X3
#11		X4
#G4		X36

**Notice:**

The linking screws in this step are all: Socket Head Bolt (#G4)



## STEP 3: Install the Top Roof

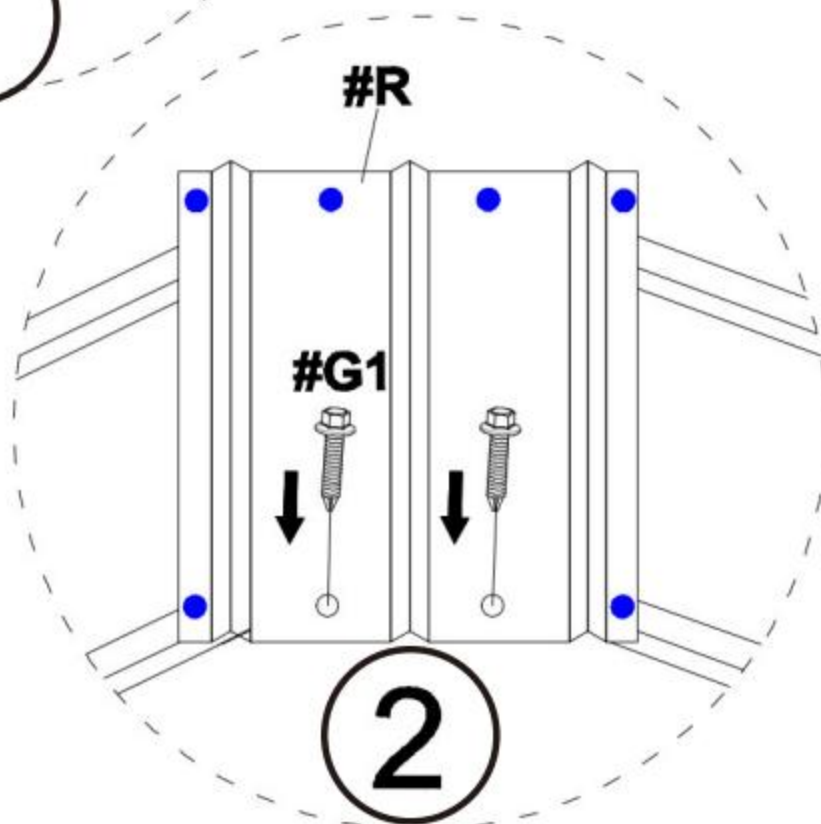
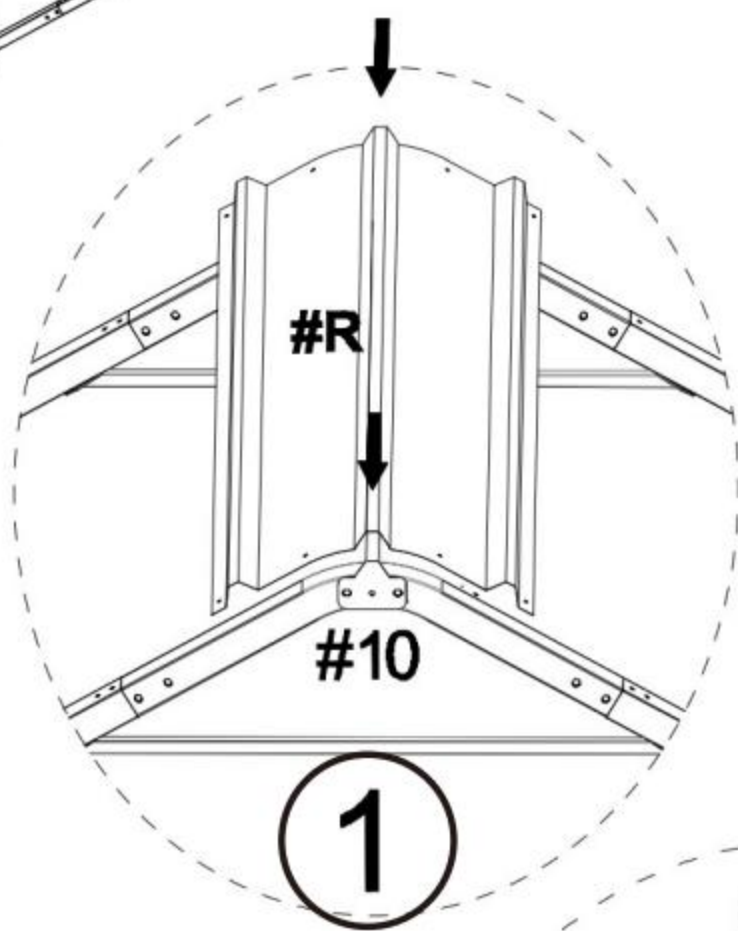
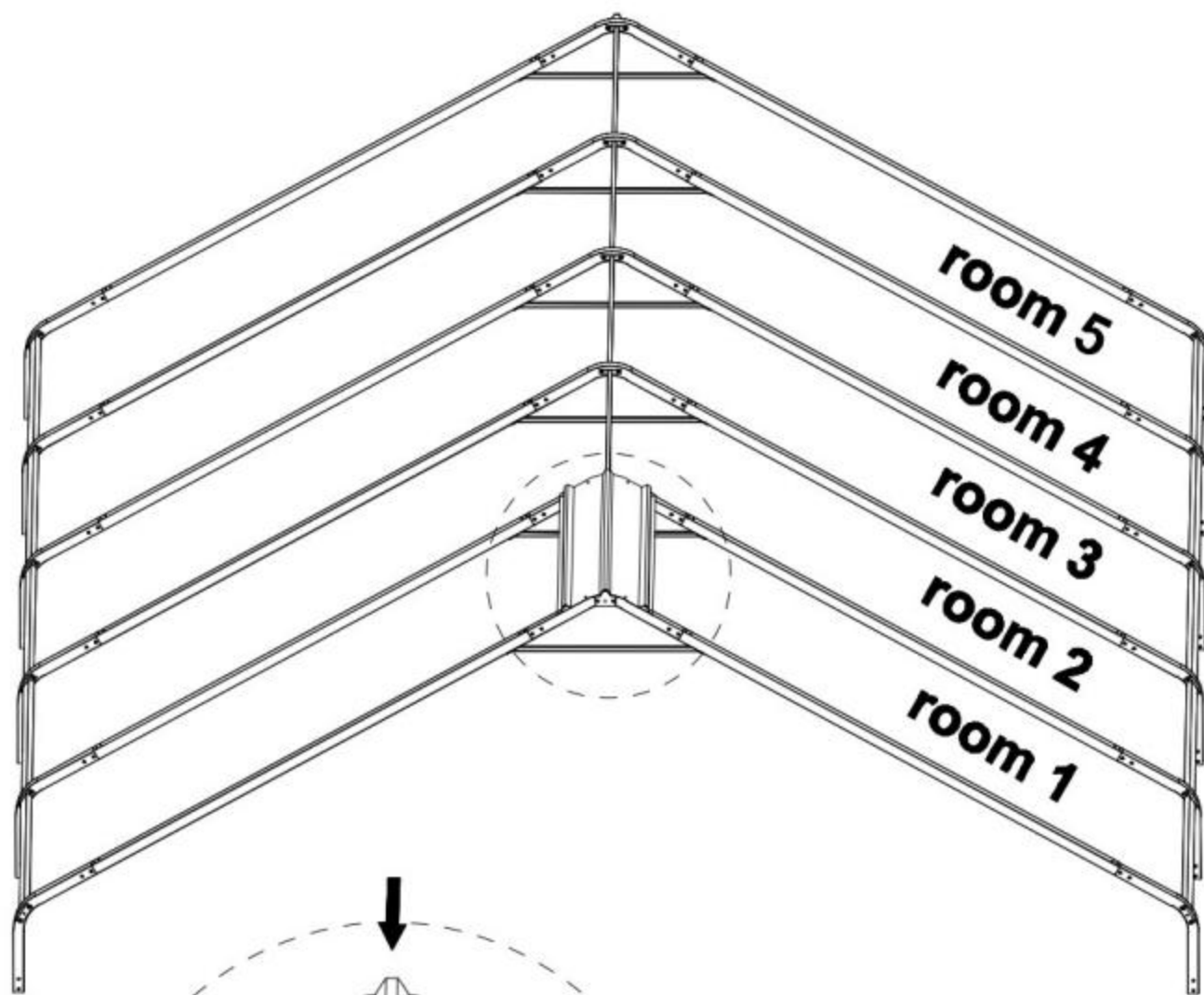
Install all the Roof Cover (#R) to the top frame. The linking screws in this step are all: Self-Tapping Screws (#G1), as shown in the picture.

Notice:




1. The meaning of different colored holes in the Roof Cover (#R);

- Blue hole: no screws here right now.
- Black hole: nonal installation

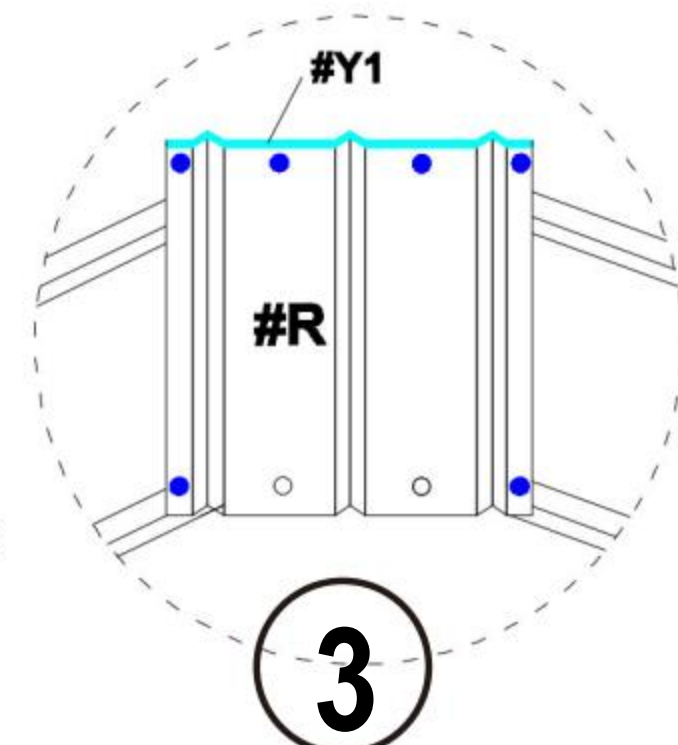
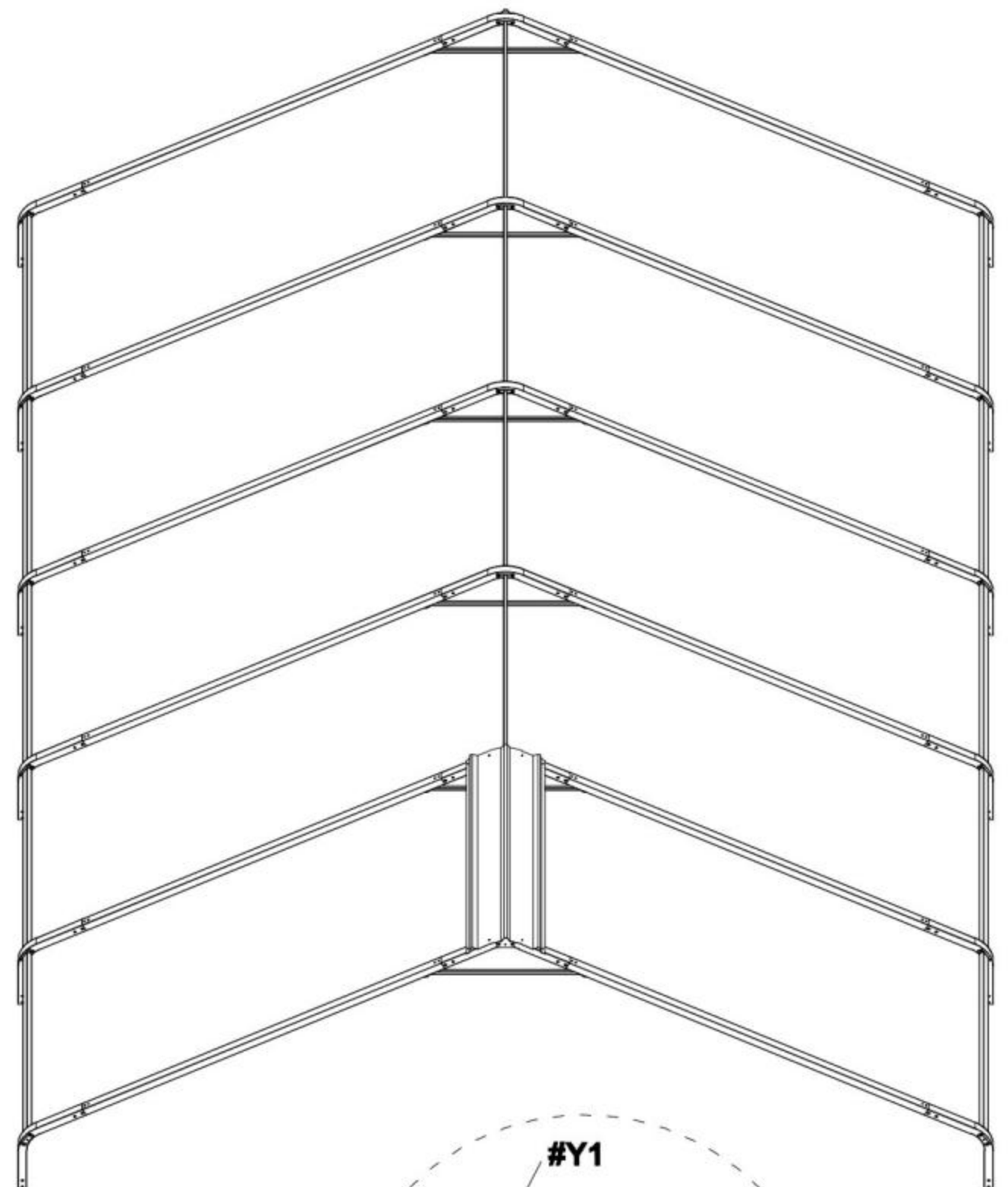
1) Starting from the top middle of room 1 to room 5, install the first row of Roof Covers (#R).



When installing the first piece of roof covering, place the middle slot of the tile at the gasket #10 bump for easy reinforcement with screws

#R		X1
#Y1		X8
#G1		X2




2) When installing each Roof Cover (#R), you need to use Waterproof Tape (#Y1) as shown in the picture.



# STEP 4:

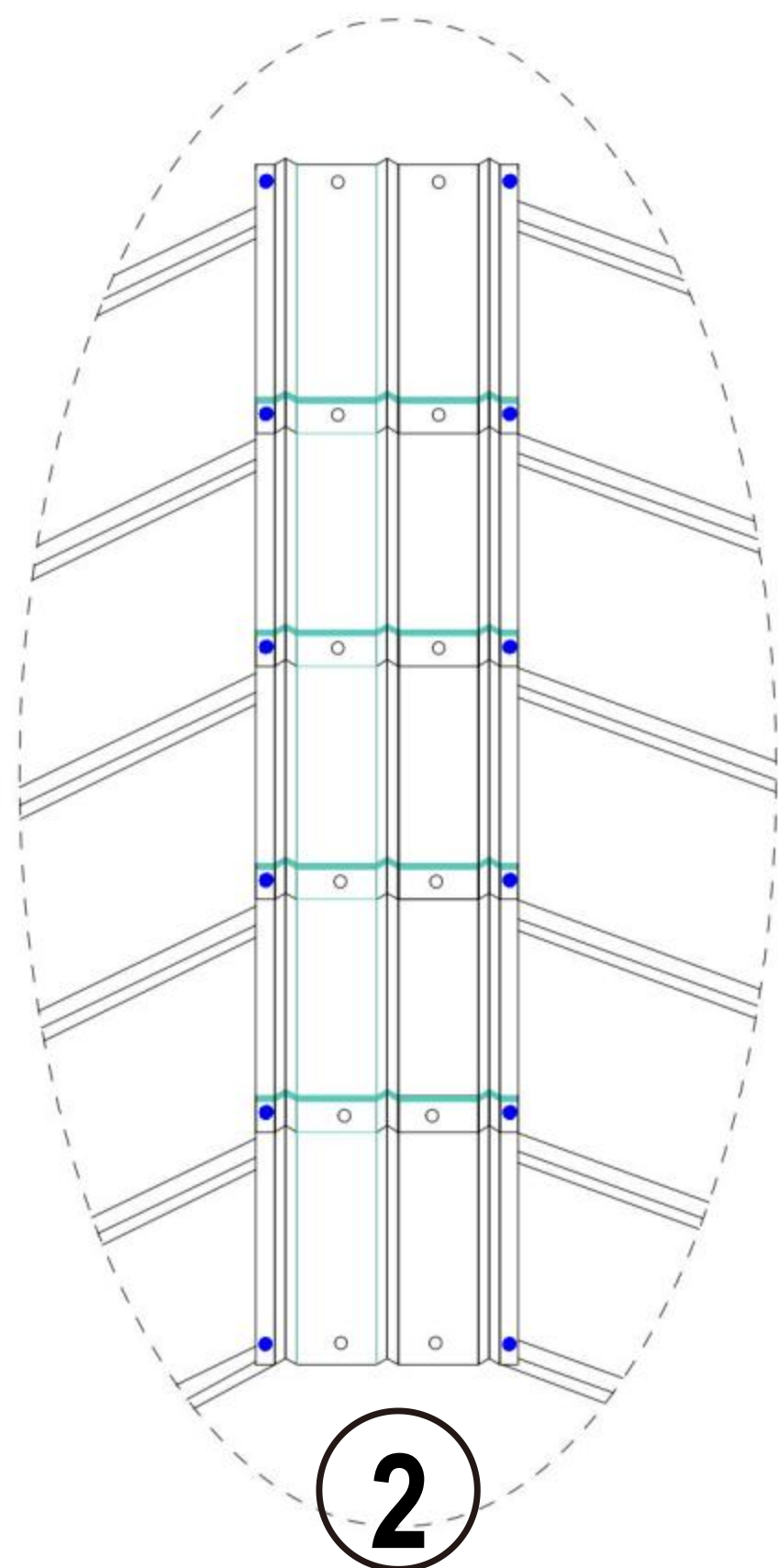
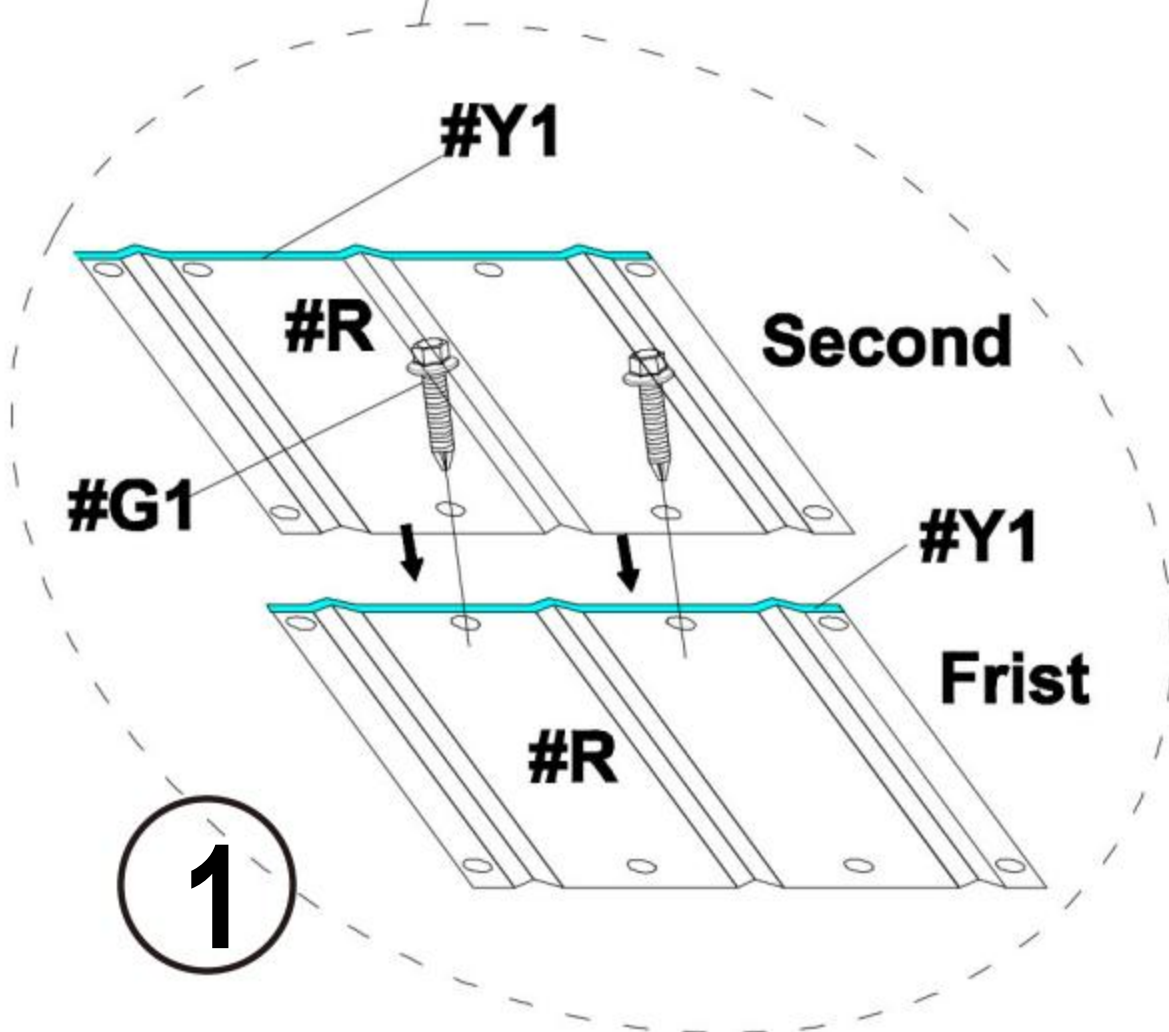
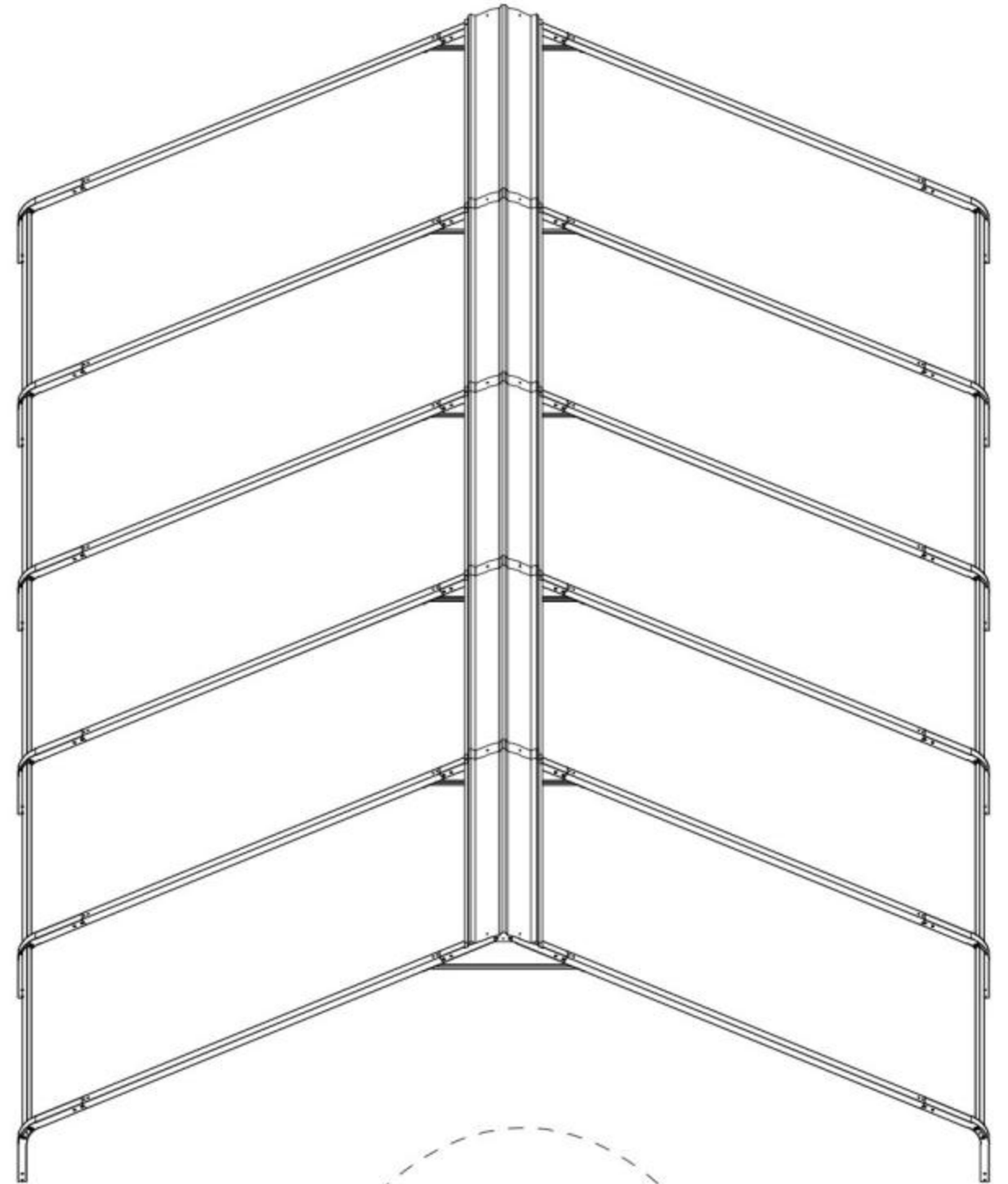
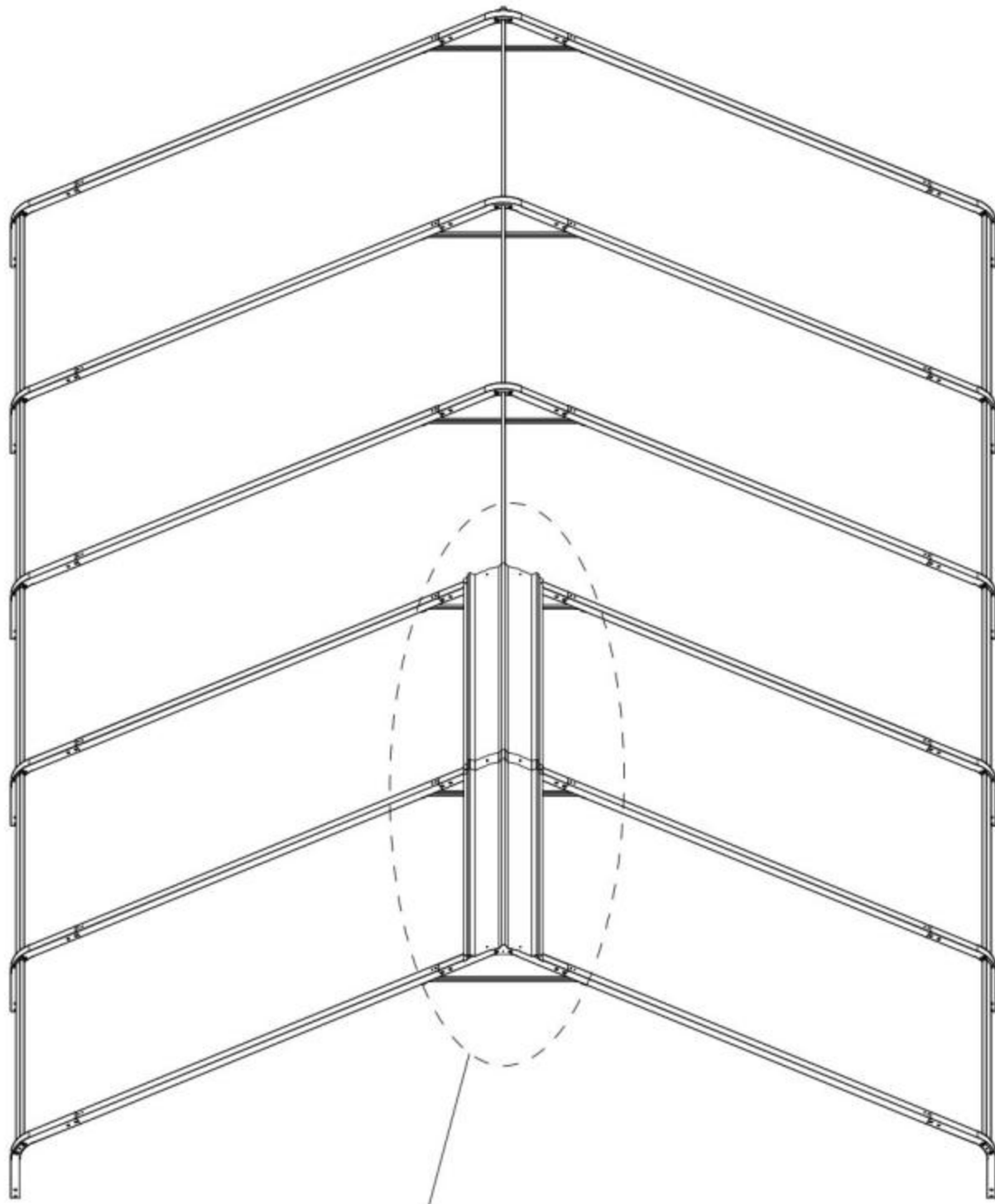
## Notice:

1. Make sure that the screw holes are aligned, and then press the Waterproof Tape (#Y1)
2. Make sure there are no gaps between the two roof covers to prevent water leakage

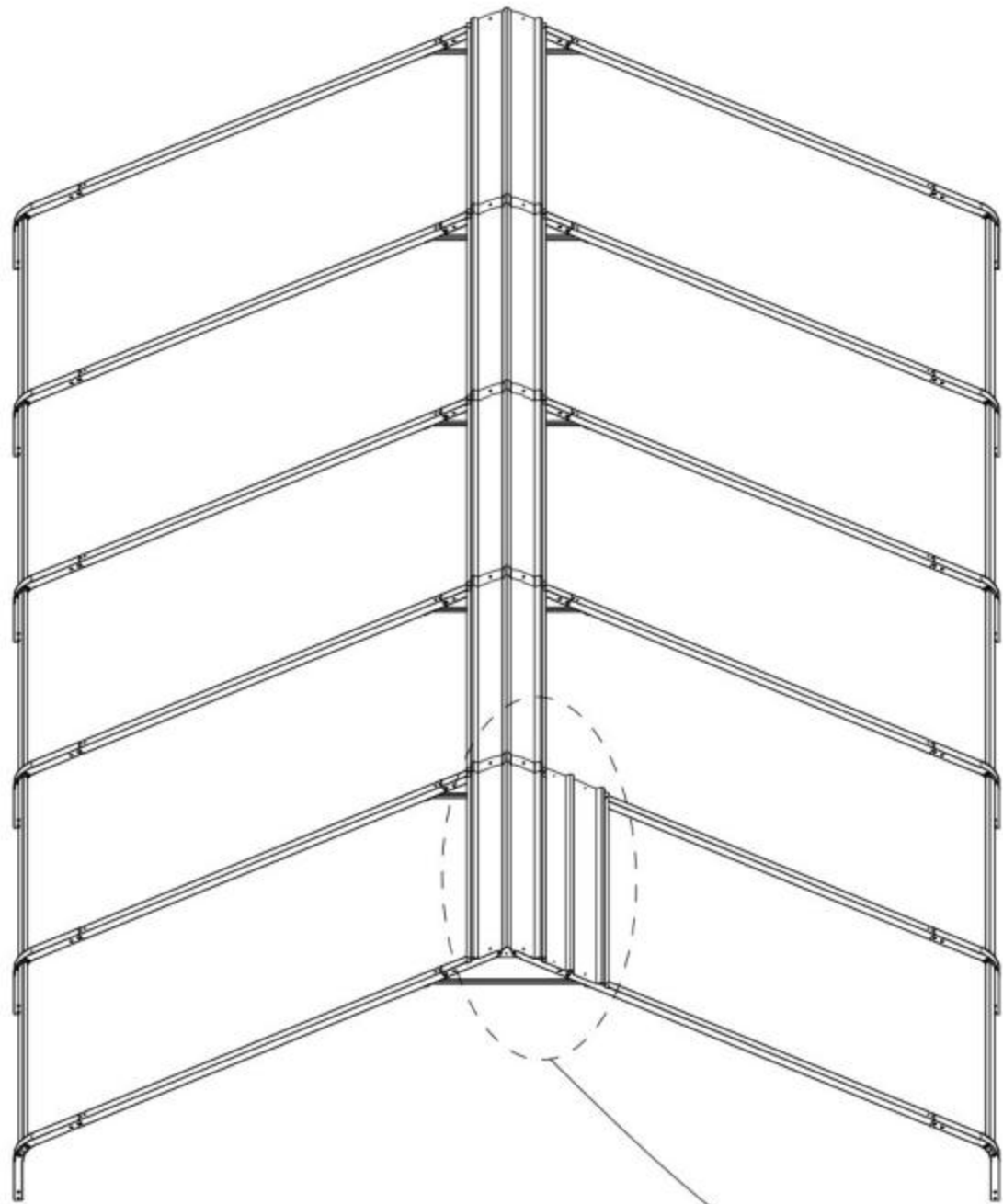
#R		X4
#Y1		
#G1		X10



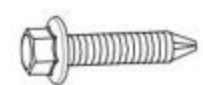
3.1) The second Roof Cover (#R) needs to be placed on the first Roof Cover (#R)

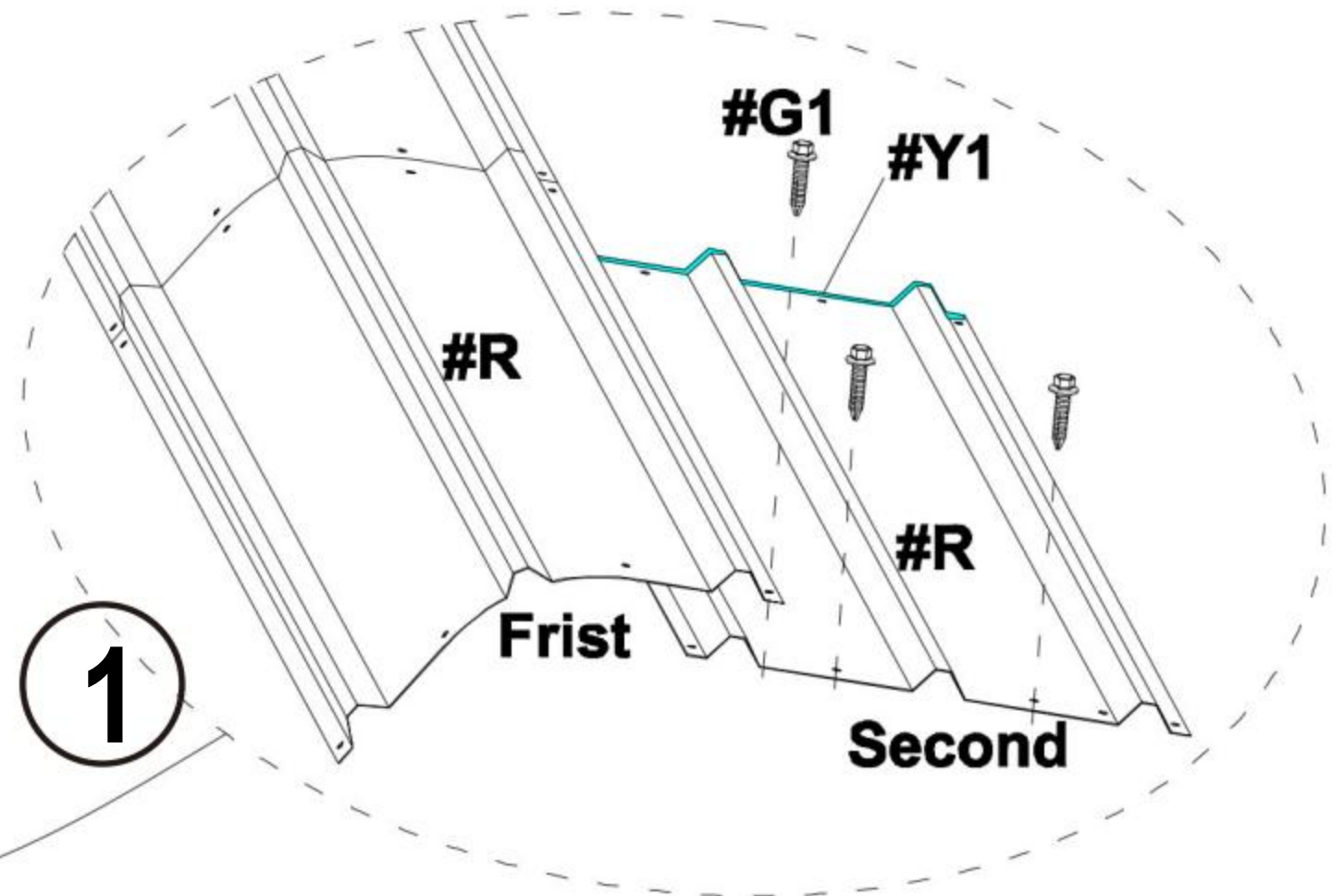
3.2) Follow the previous steps and continue to install the remaining Roof Cover (#R) in the middle row.



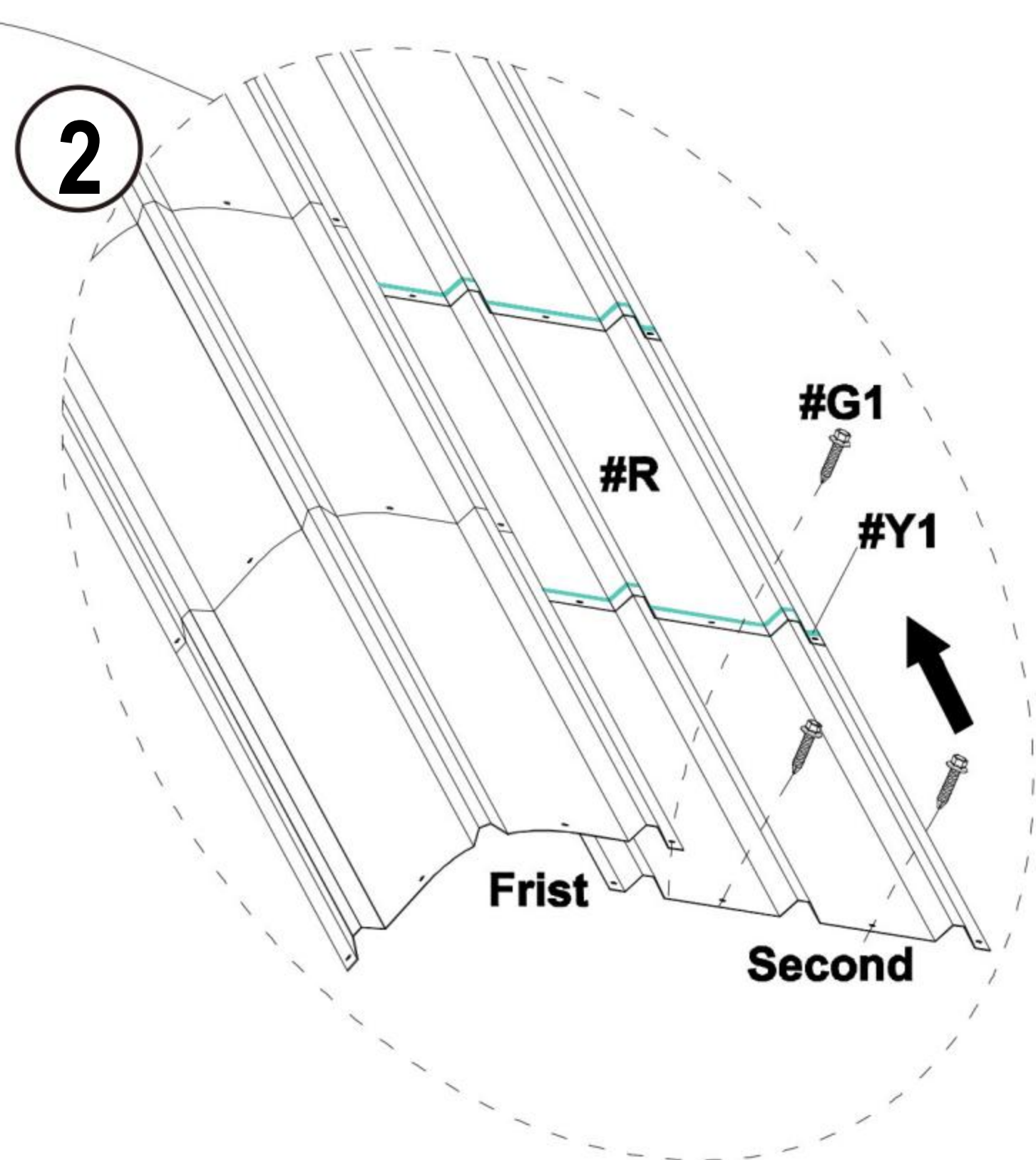
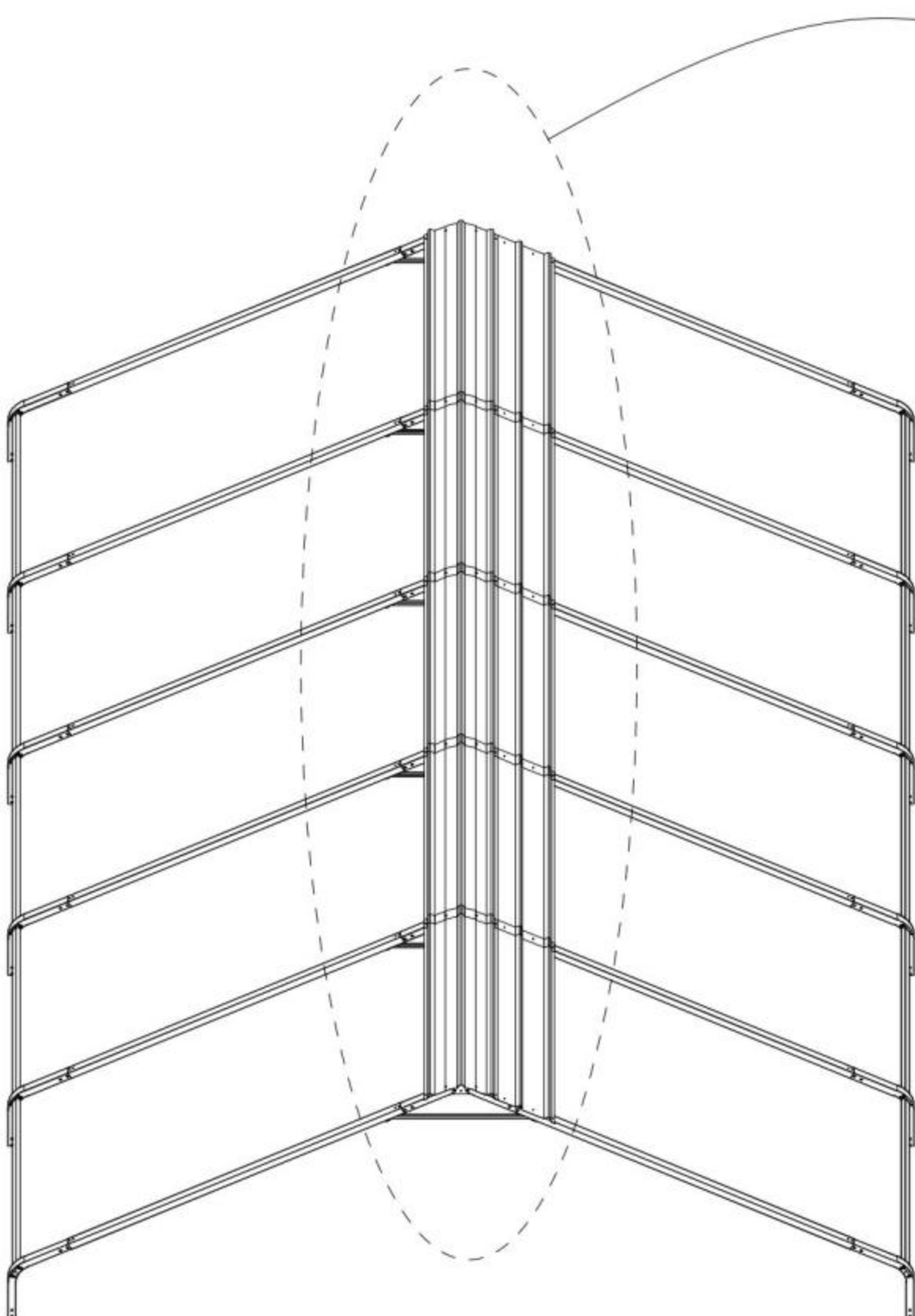
4.1) After installing the middle row, continue to install the 4 rows on the right. Each newly installed Roof Cover (#R) in a row needs to be placed below the Roof Cover (#R) in the previous row, as shown in the picture.






#R		X5
#Y1		
#G1		X18

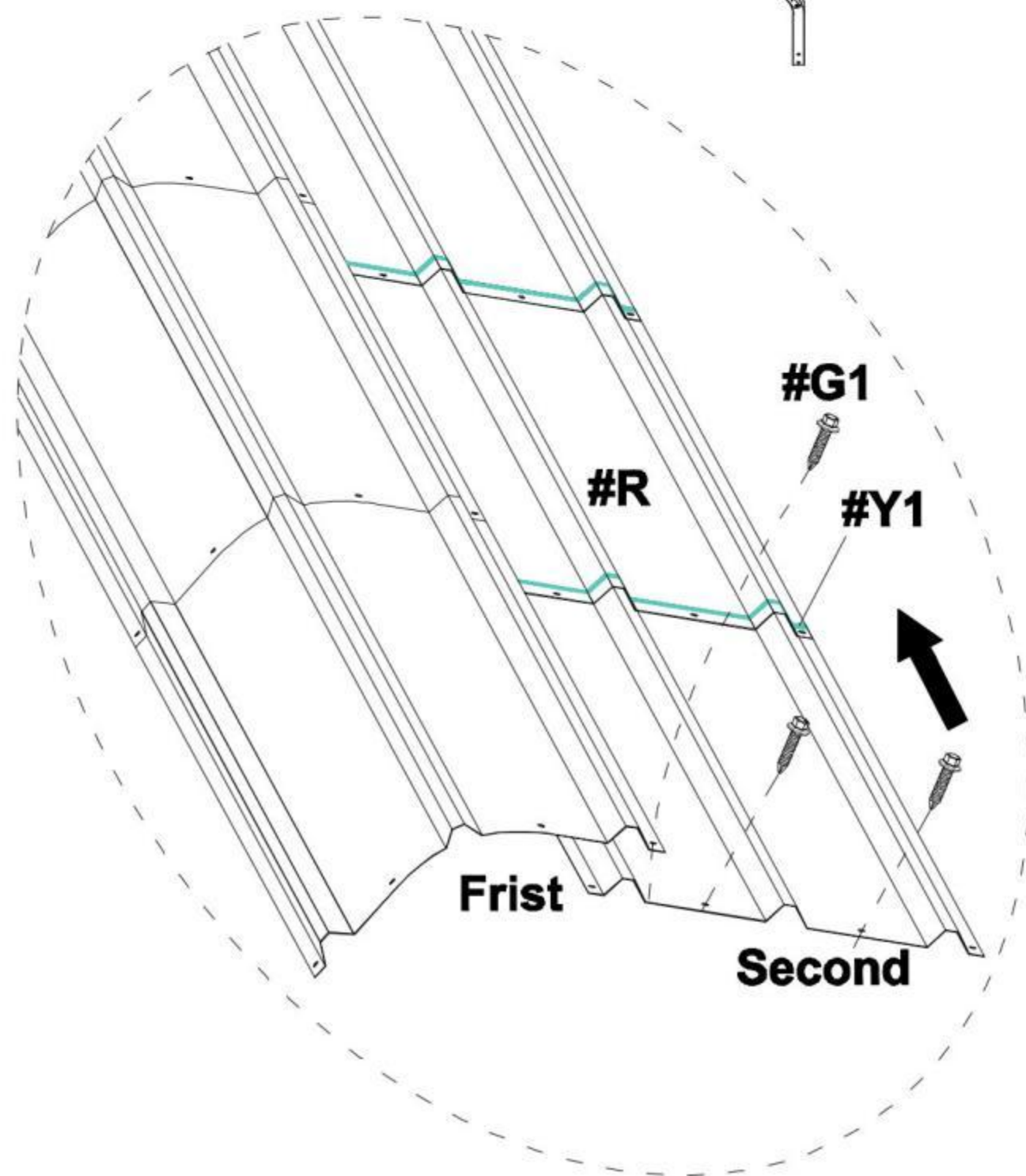
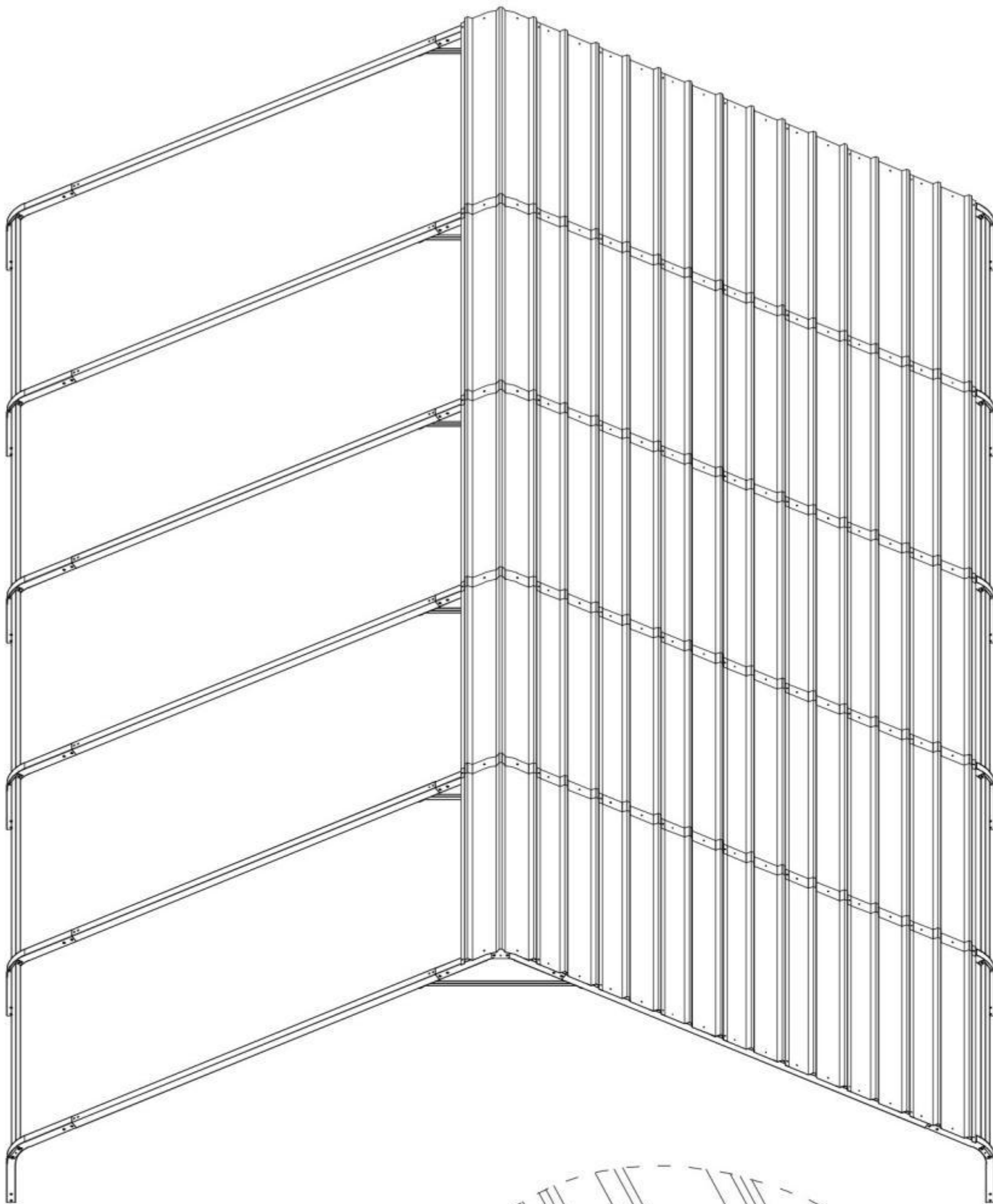


4.2) Same as the previous step, after pasting the Waterproof Tape(#Y1) of RoofCovers(#R),install the next Roof Covers(#R).






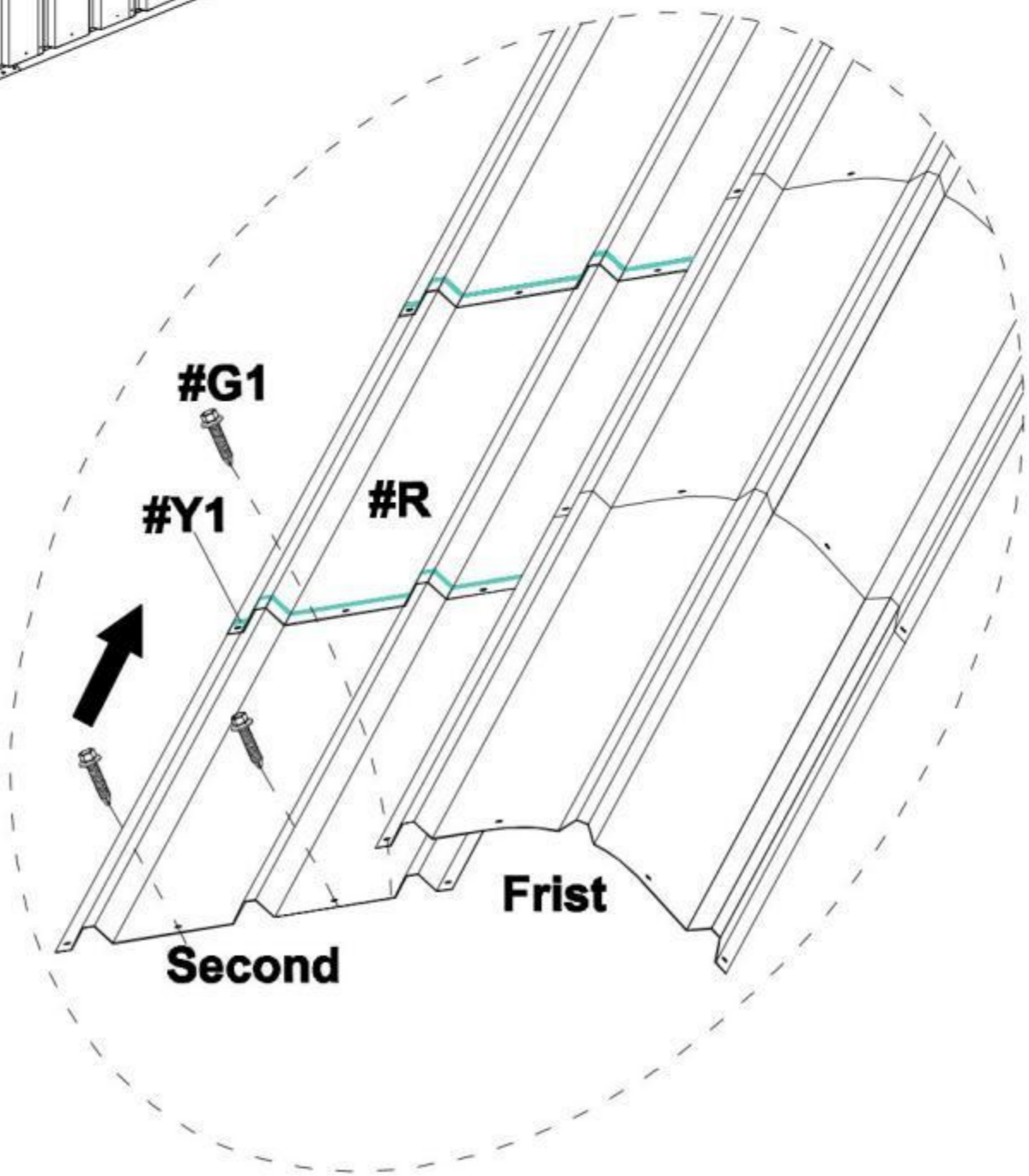
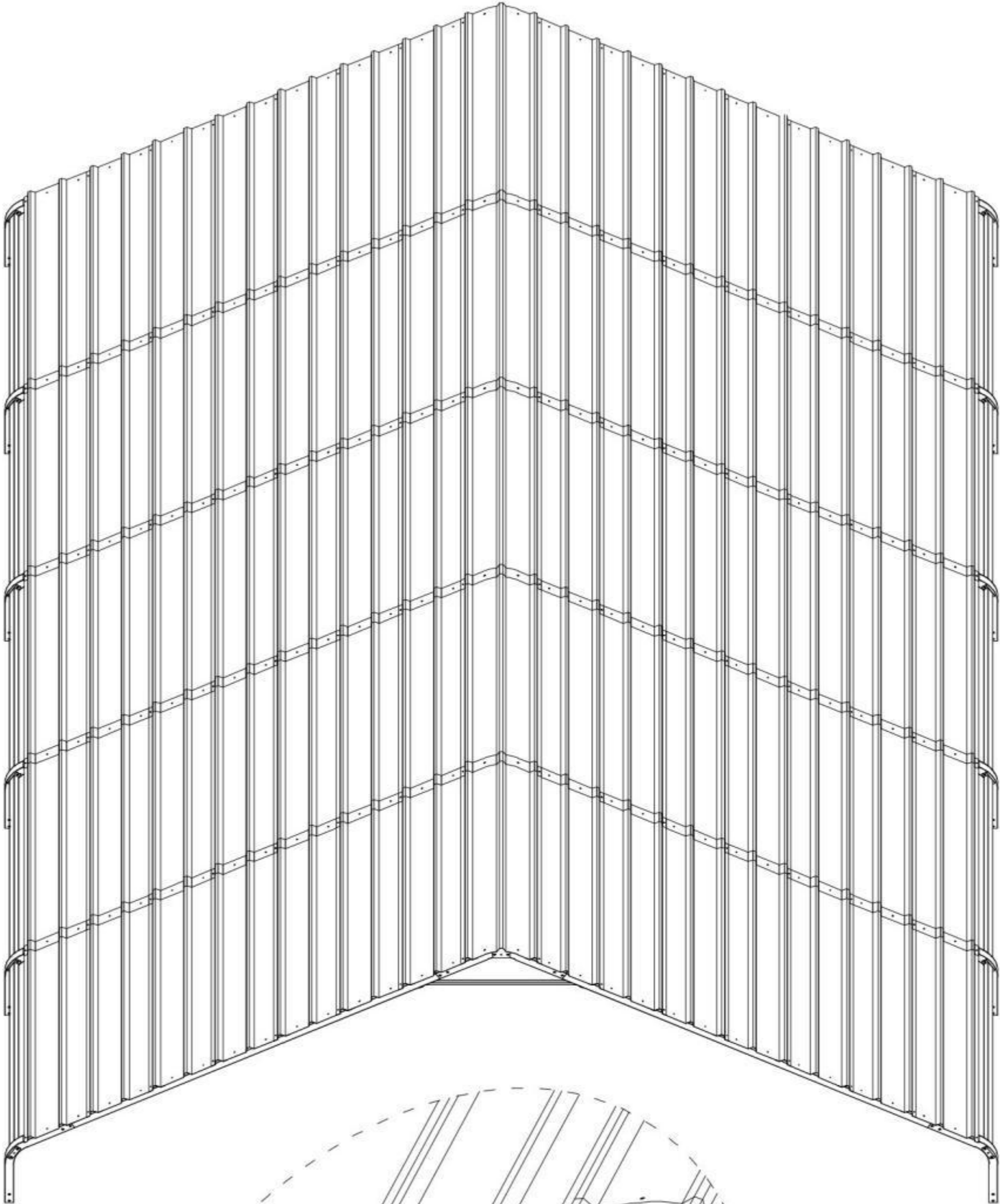
4.3) Follow the previous steps and continue to install the Roof Cover (#R) in the remaining 6 rows on the right.

#R		X30
#Y1		
#G1		X108



5.2) Same as the installation steps for the 6 rows on the right, please complete the installation of Roof Cover(#R) of the 7 rows on the left.




#R		X35
#Y1		
#G1		X126

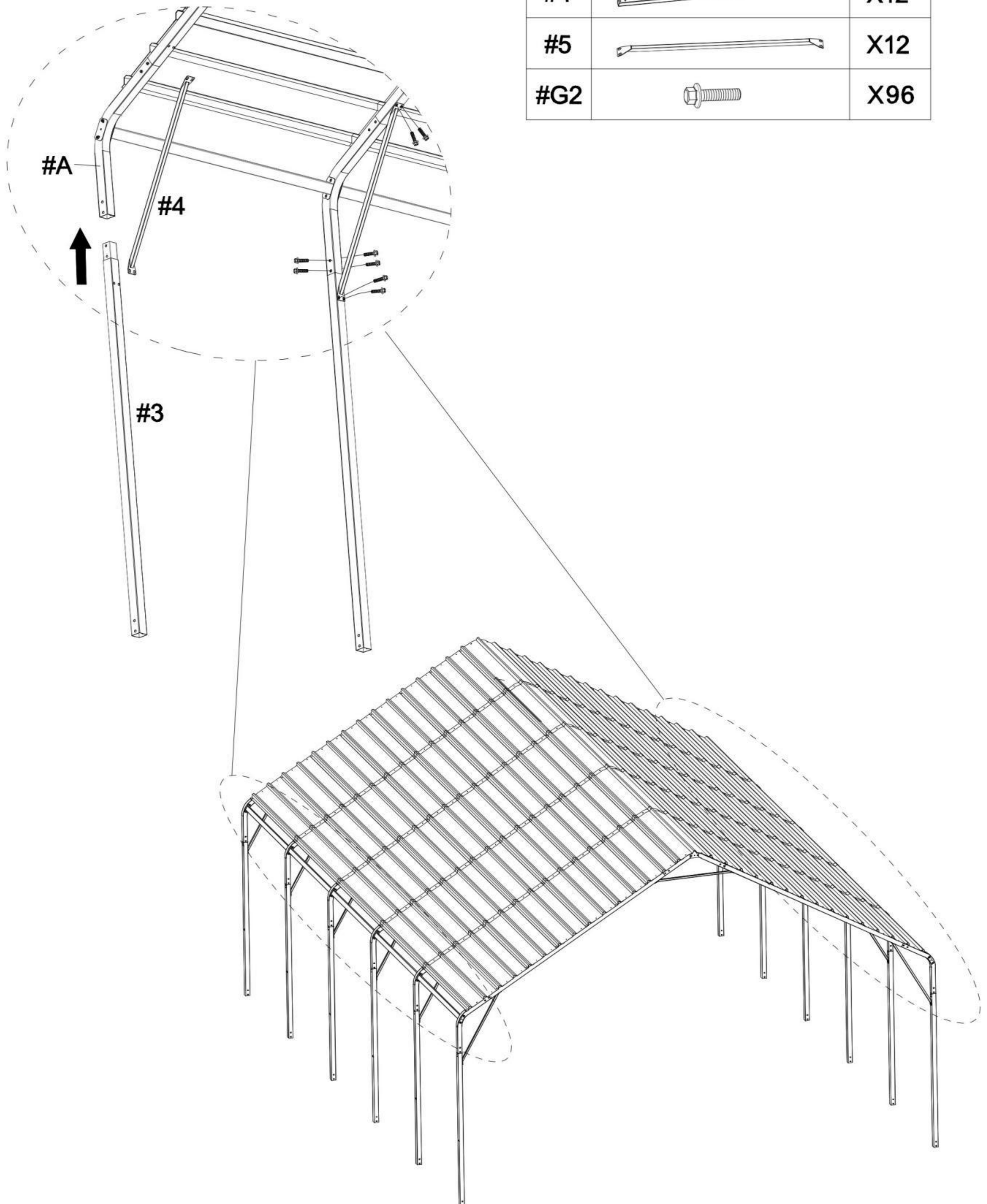


## STEP 5: Connect Legs

1) Install Leg Pole(#4) and Top Reinforcing pole(#5) to the Connector(#7).





2) The linking screws in this step are all: Hex Head Cap Bolt (#G2) .

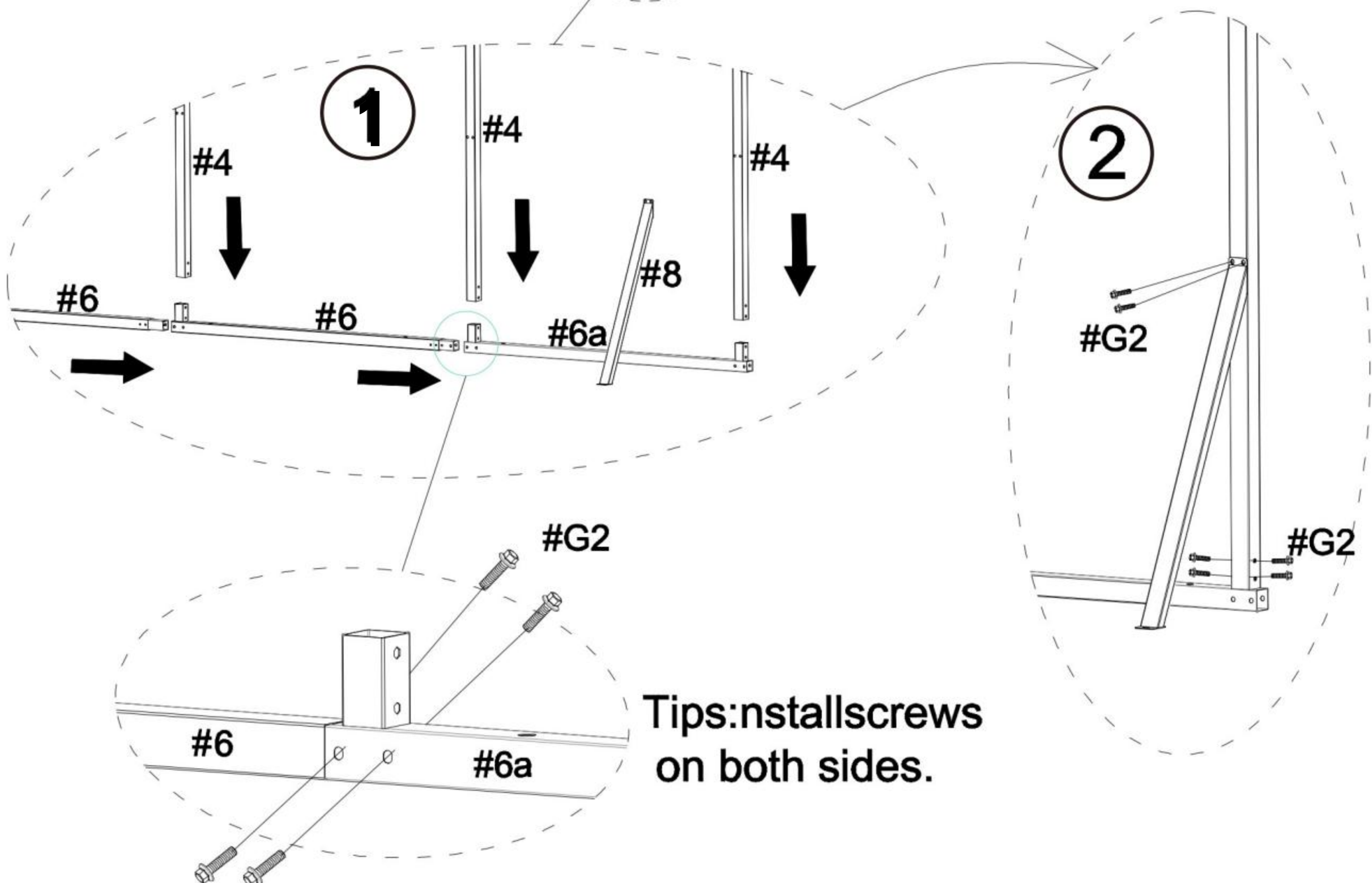
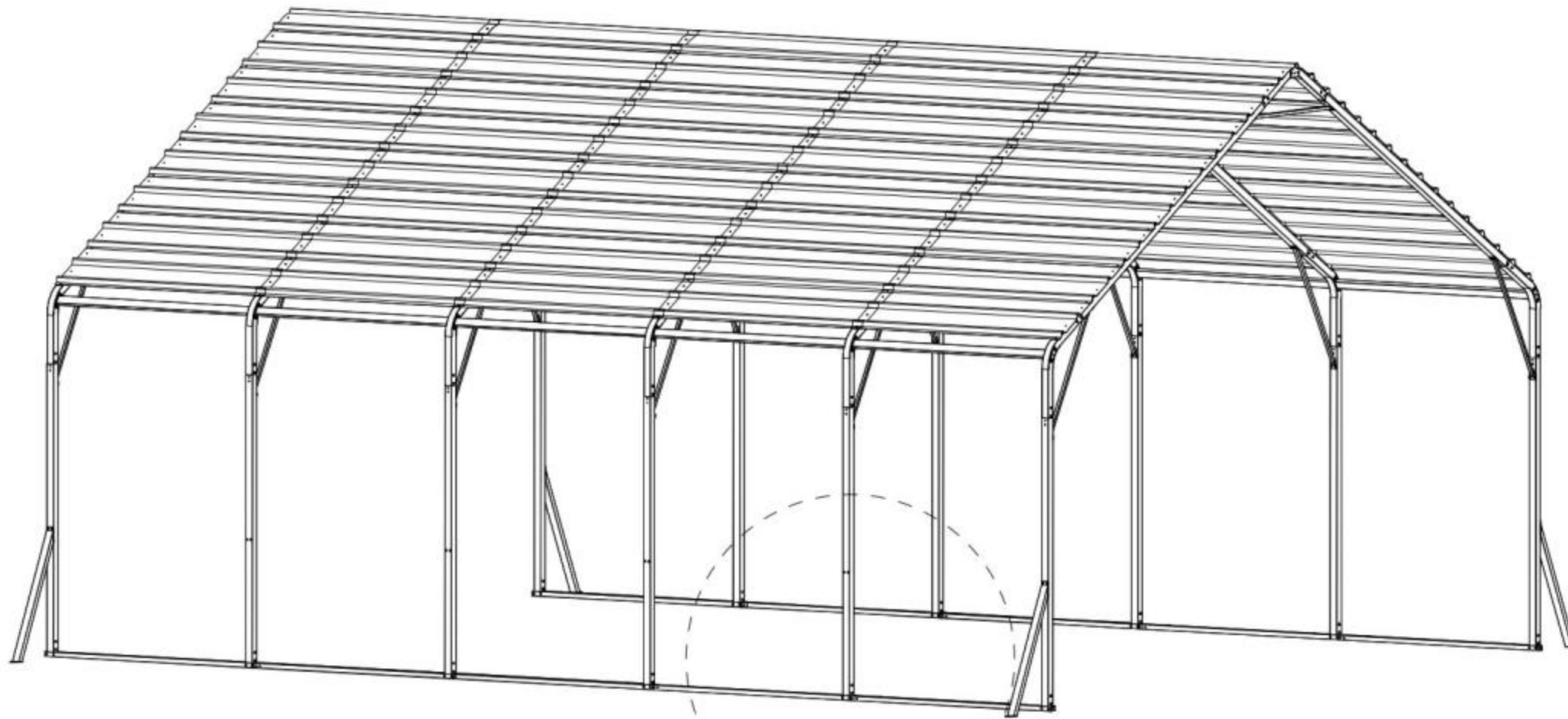
#4		X12
#5		X12
#G2		X96



## STEP 6: Reinforce the Frame

- 1) Connect all the Leg Pole (#4) to Ground bar 1 (#6) and Ground bar 2 (#6a)
- 2) The linking screws in this step are all: Hex Head Cap Bolt (#G2) and Expansion screws (#G3).

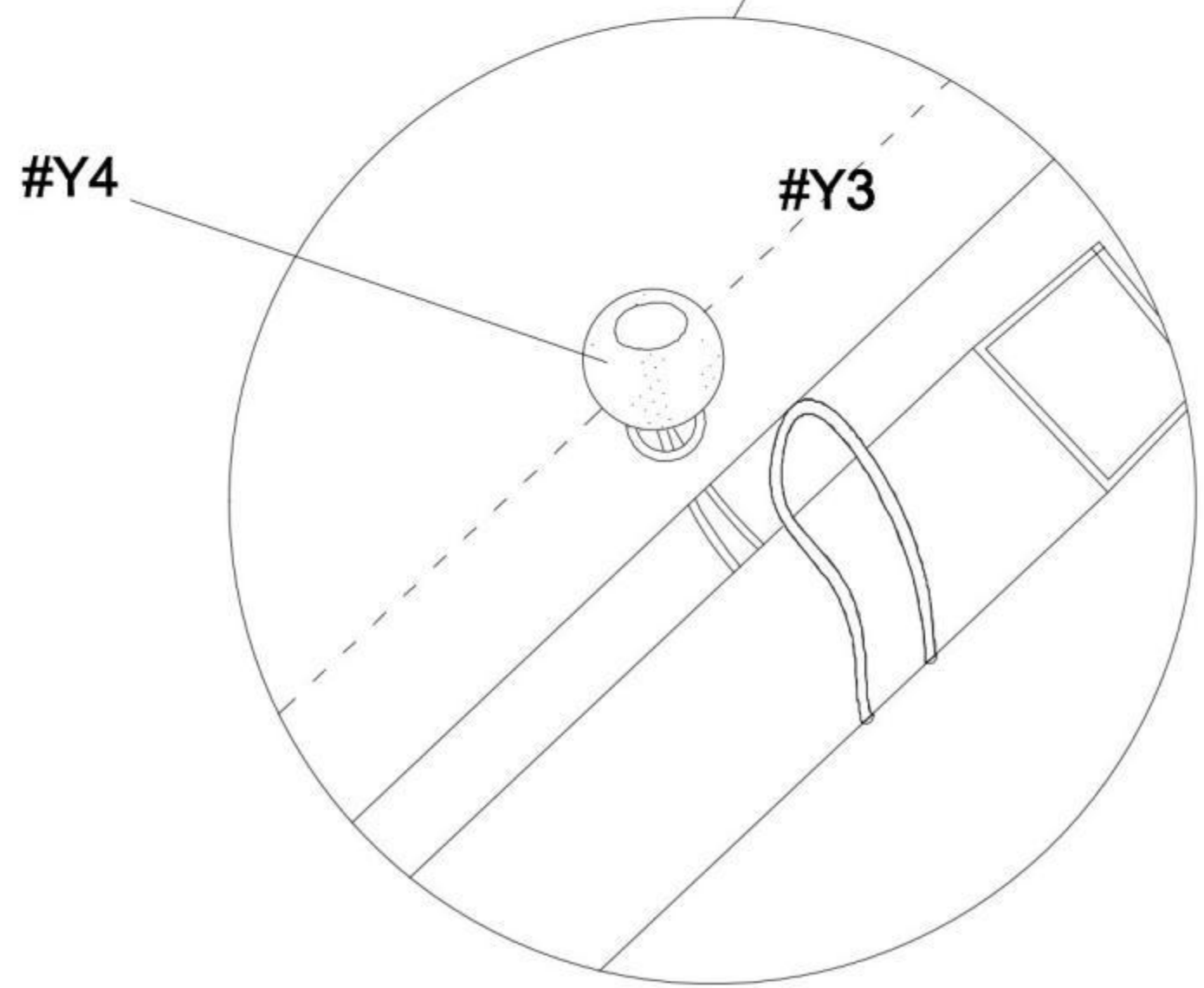
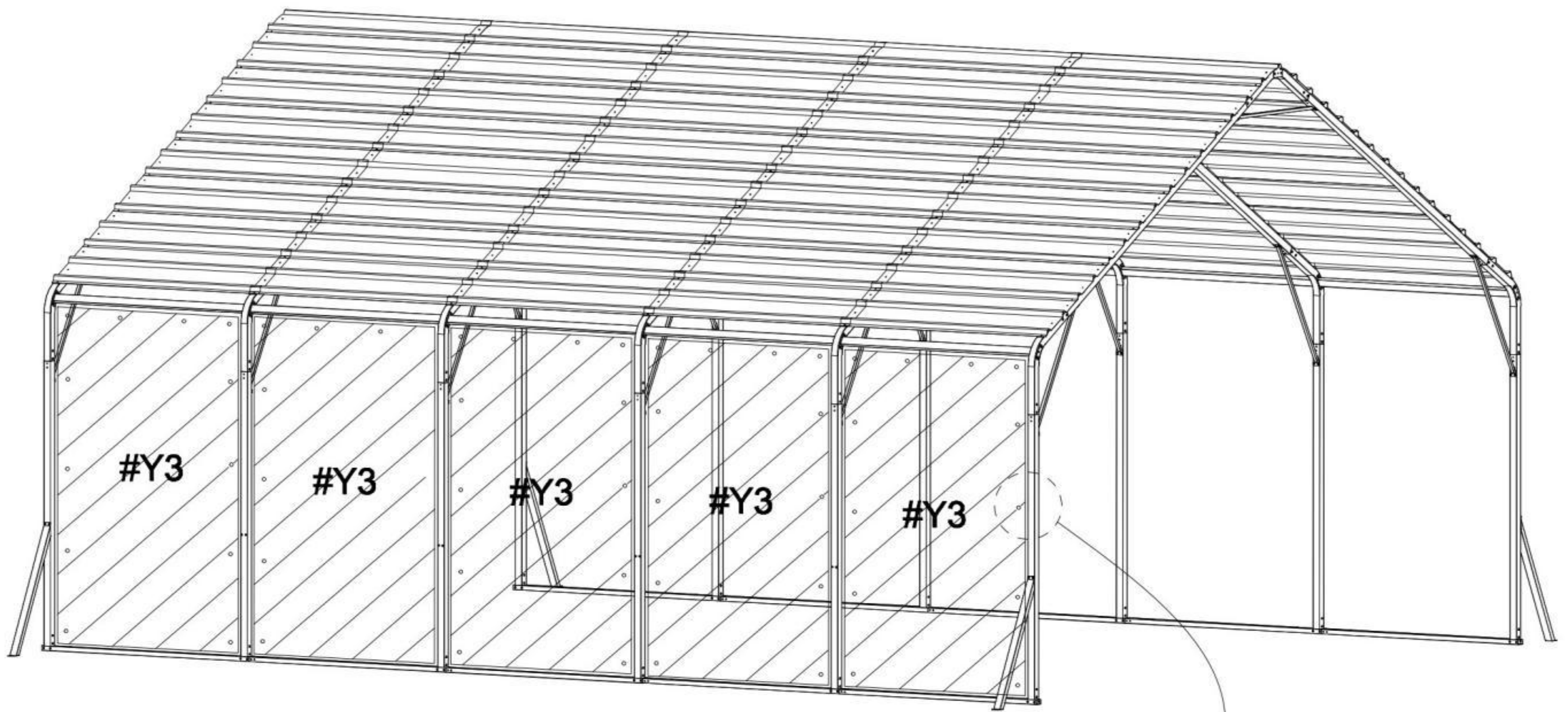
#6		X8
#6a		X2
#8		X4
#G2		X88



# STEP 7: Reinforce the Frame

Secure 5 wall cloths (#Y3) to the frame with rope beads (#Y4)



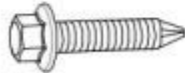
#Y3		X5
#Y4		X60

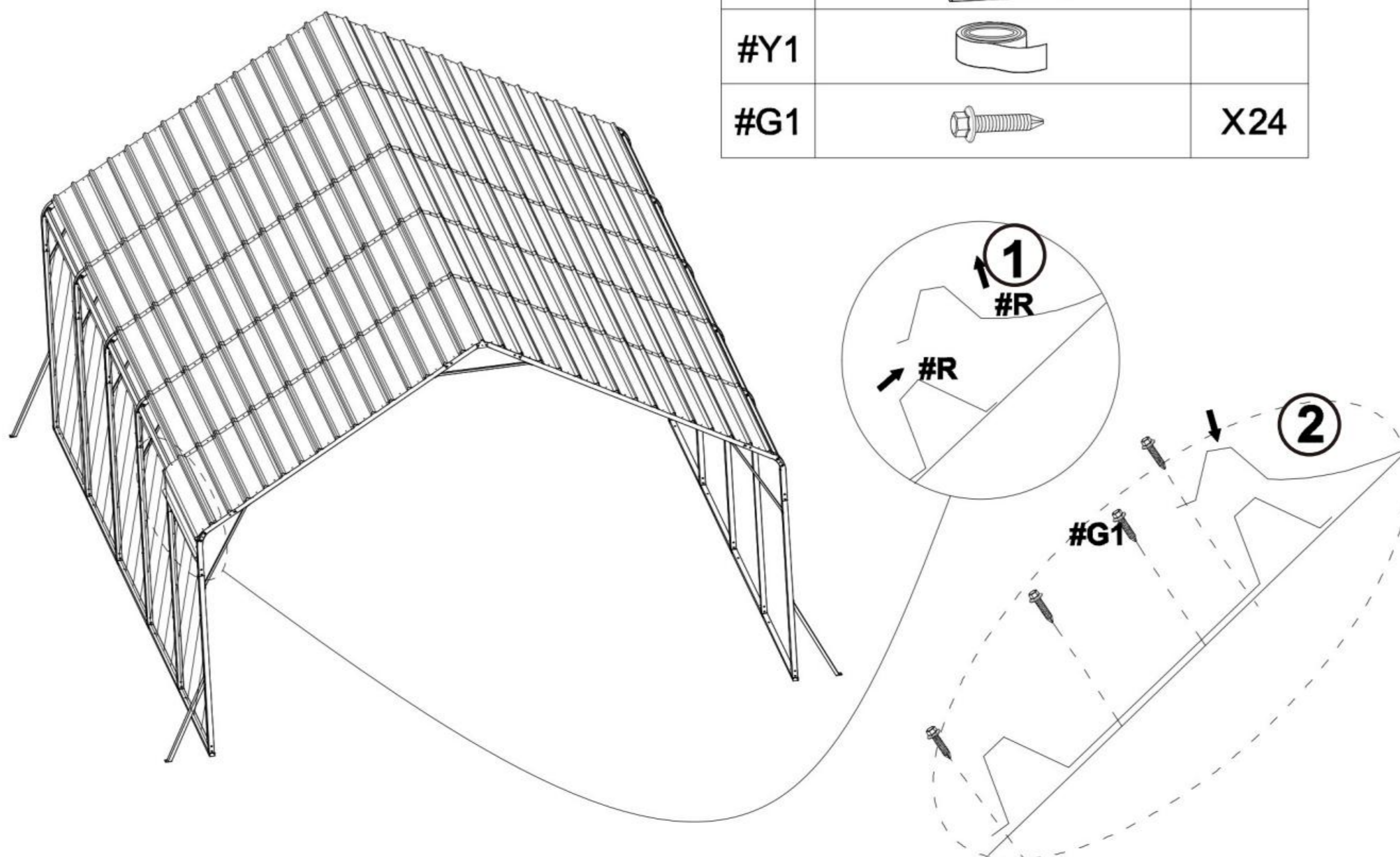


## STEP 8: Install the Side Roof

After installing the Leg Pole(#4), continue to install the Roof Cover (#R) in the 4 rows on the left and right sides.

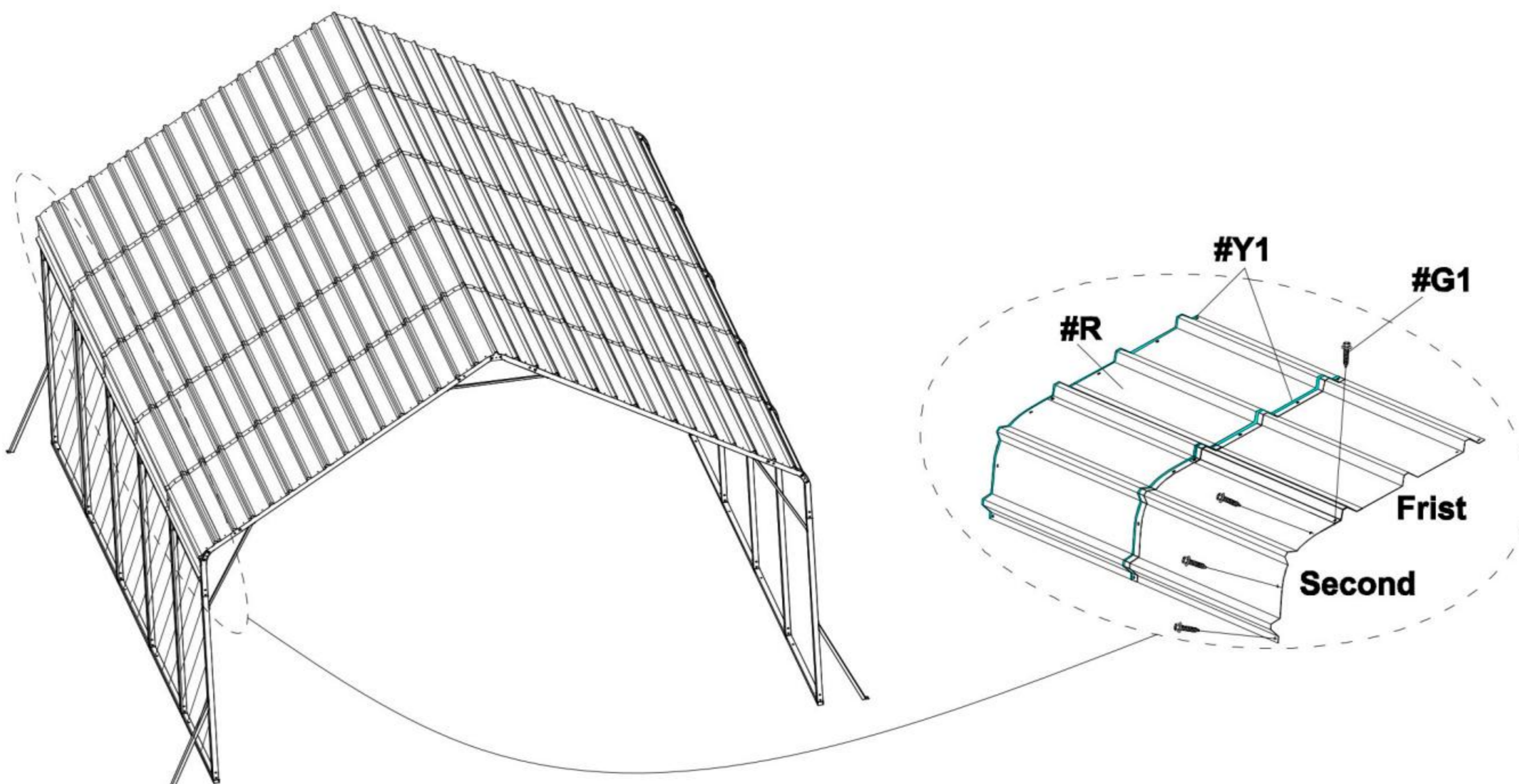
1) First install the Roof Cover (#R) in the left row, as shown in the picture.

#R		X5
#Y1		
#G1		X24

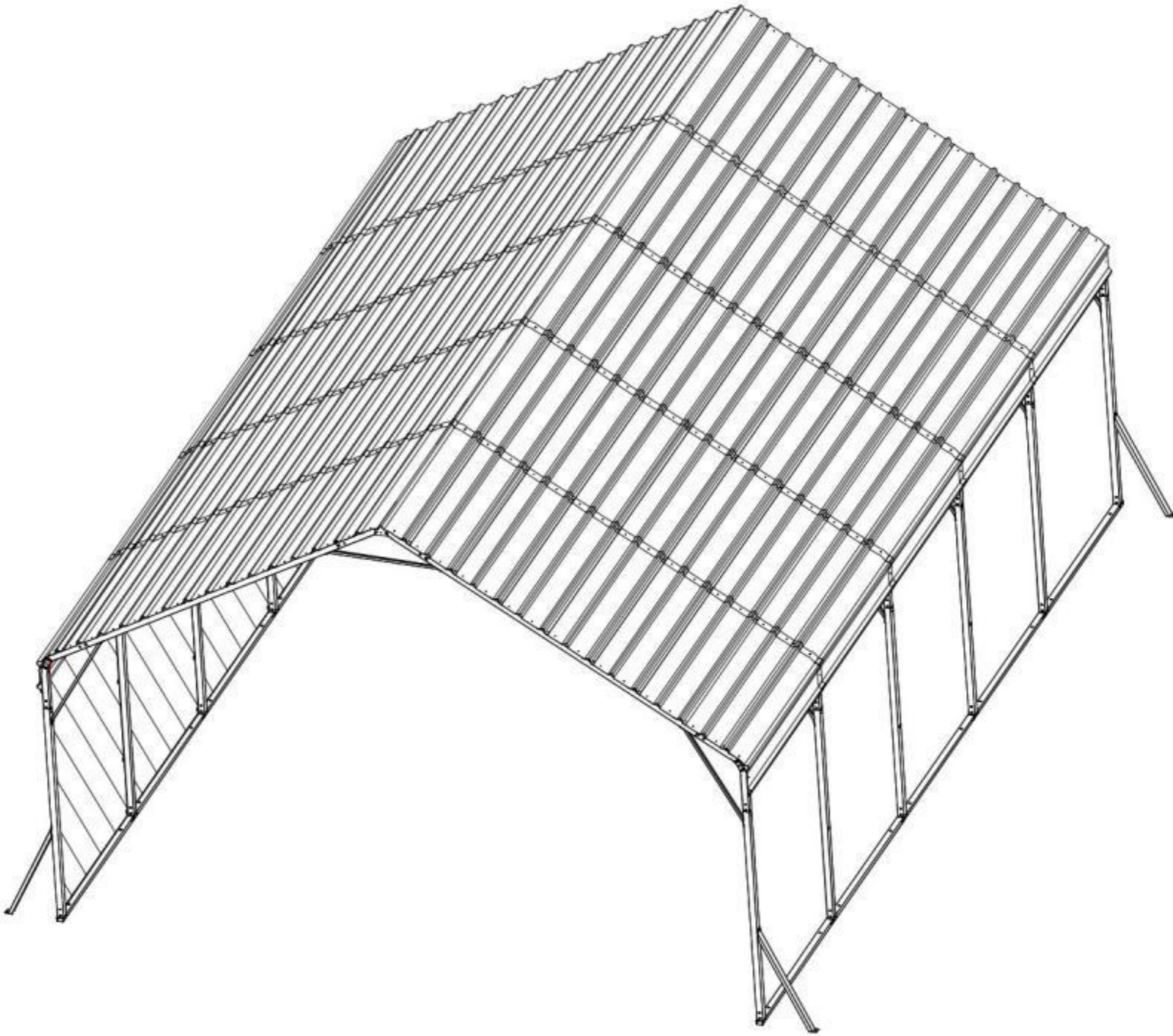




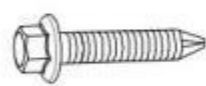

### Notice:

1. Make sure that the screw holes are aligned, and then press the Waterproof Tape (#Y1)
2. Make sure there are no gaps between the two roof covers to prevent water leakage
3. The second Roof Cover (#R) needs to be placed on the first Roof Cover (#R)



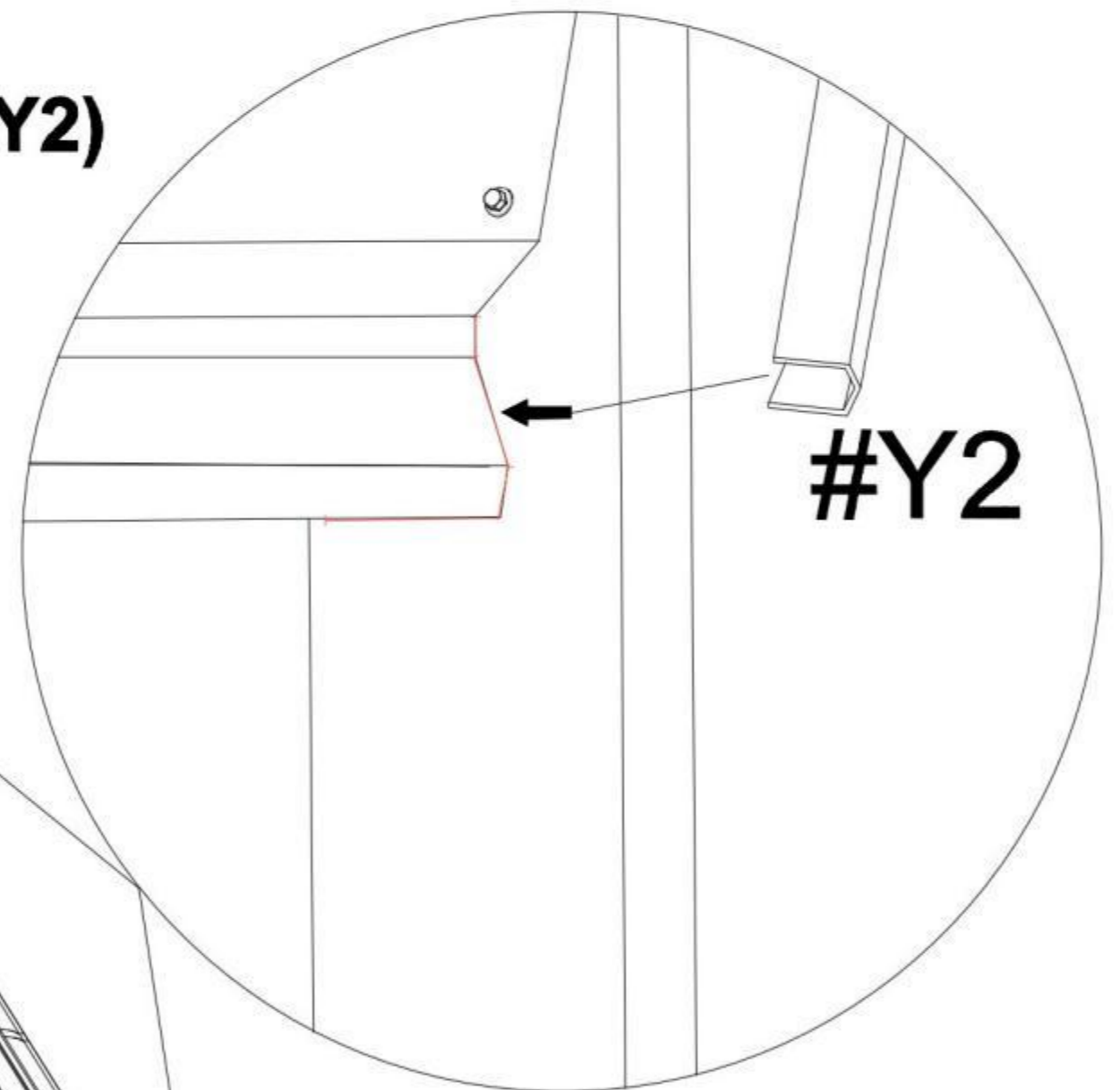
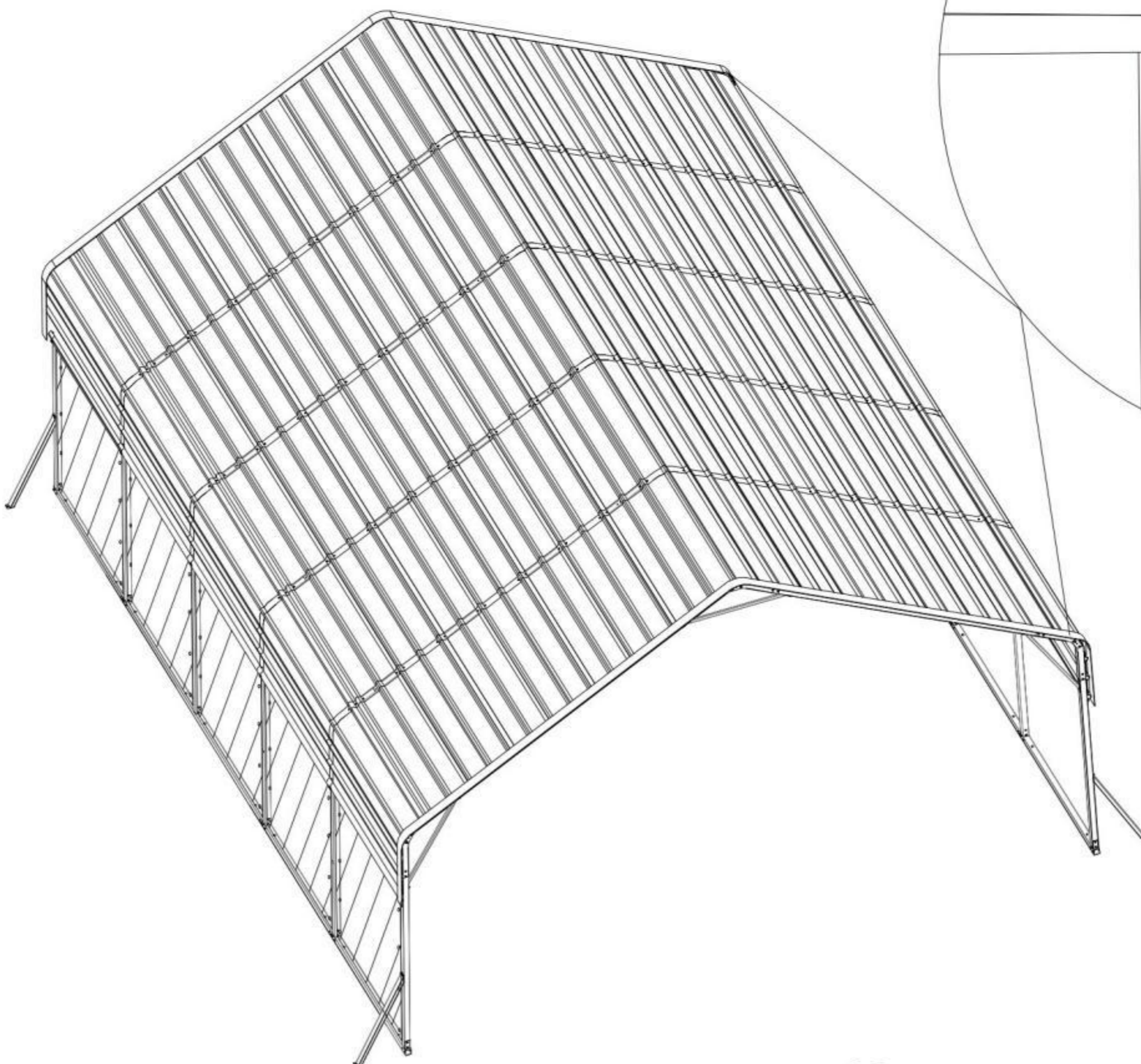
2) Follow the previous steps and continue to install the Roof Cover (#R) in the remaining 1 rows on the right.



#R		X5
#Y1		
#G1		X24
#Y2		

### STEP 9: Install the Anti-cut Tape (#Y2)

1) Wrap the Anti-cut Tape (#Y2) around the outer edge of the Roof Covers(#R).





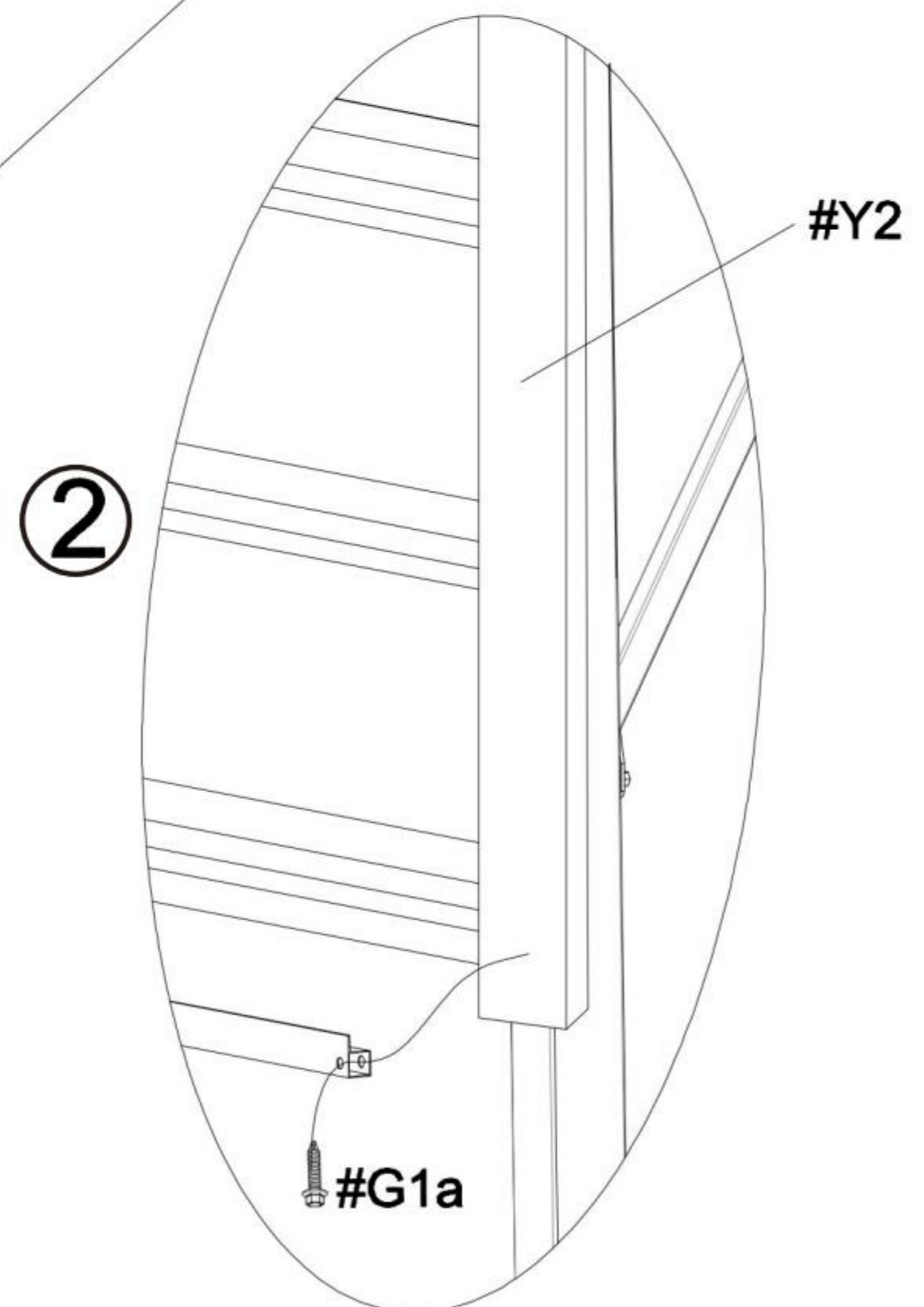
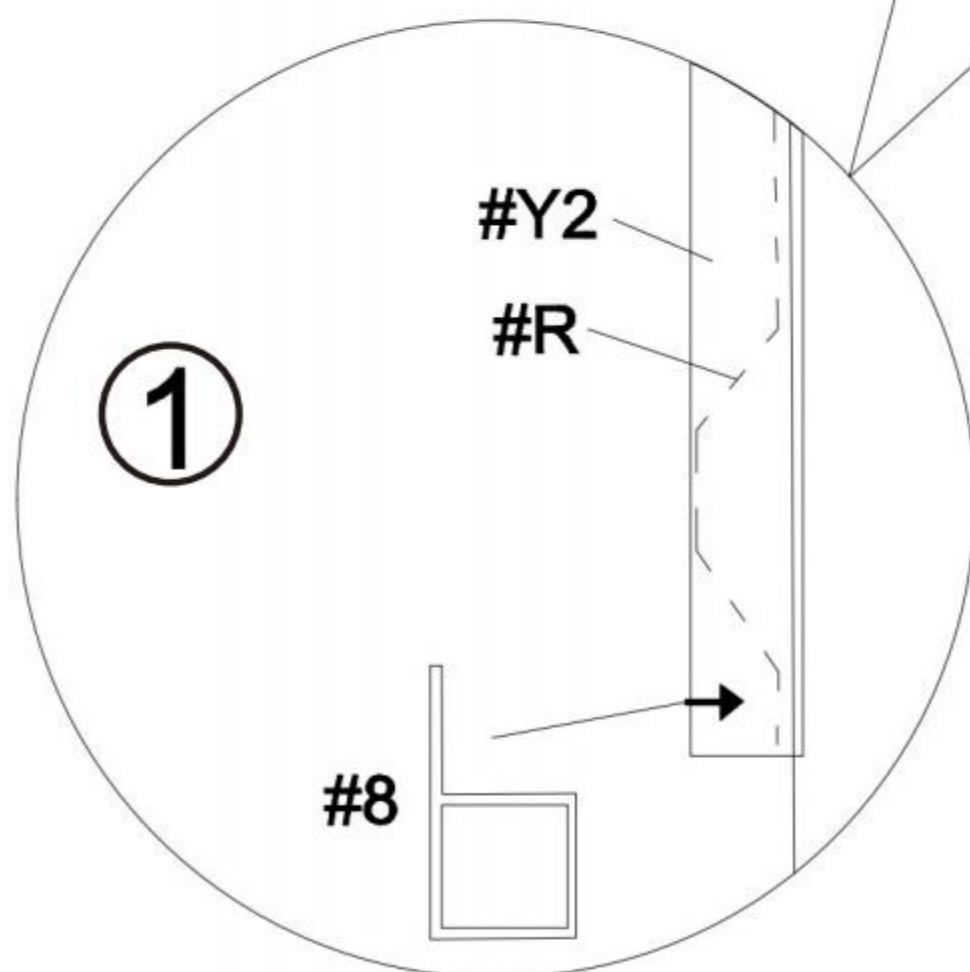
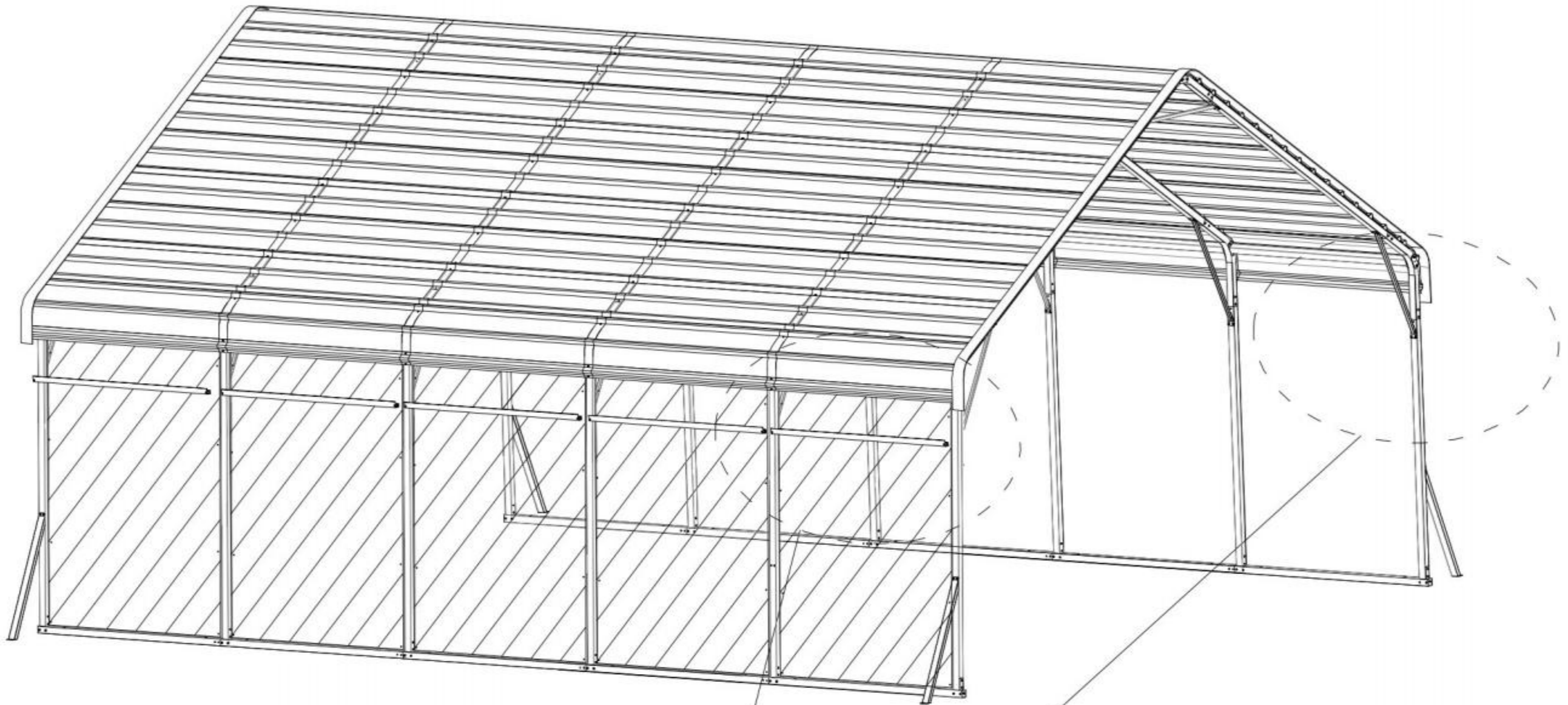
**Notice:**  
Be careful not to start from the 4 corners when wrapping the tape. Right angles are sharp and need to be avoided.

## STEP 10: Side-side defense pole

After installing I the Roof Cover (#R).on the left and right sides.

1) Install the Side-side defense pole(#9) in the left and right row, as shown in the picture.

#9		X10
#G1a		X20



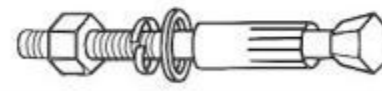
# STEP 11 : Anchor the Carport

Install the Anchor the Carport on the ground.

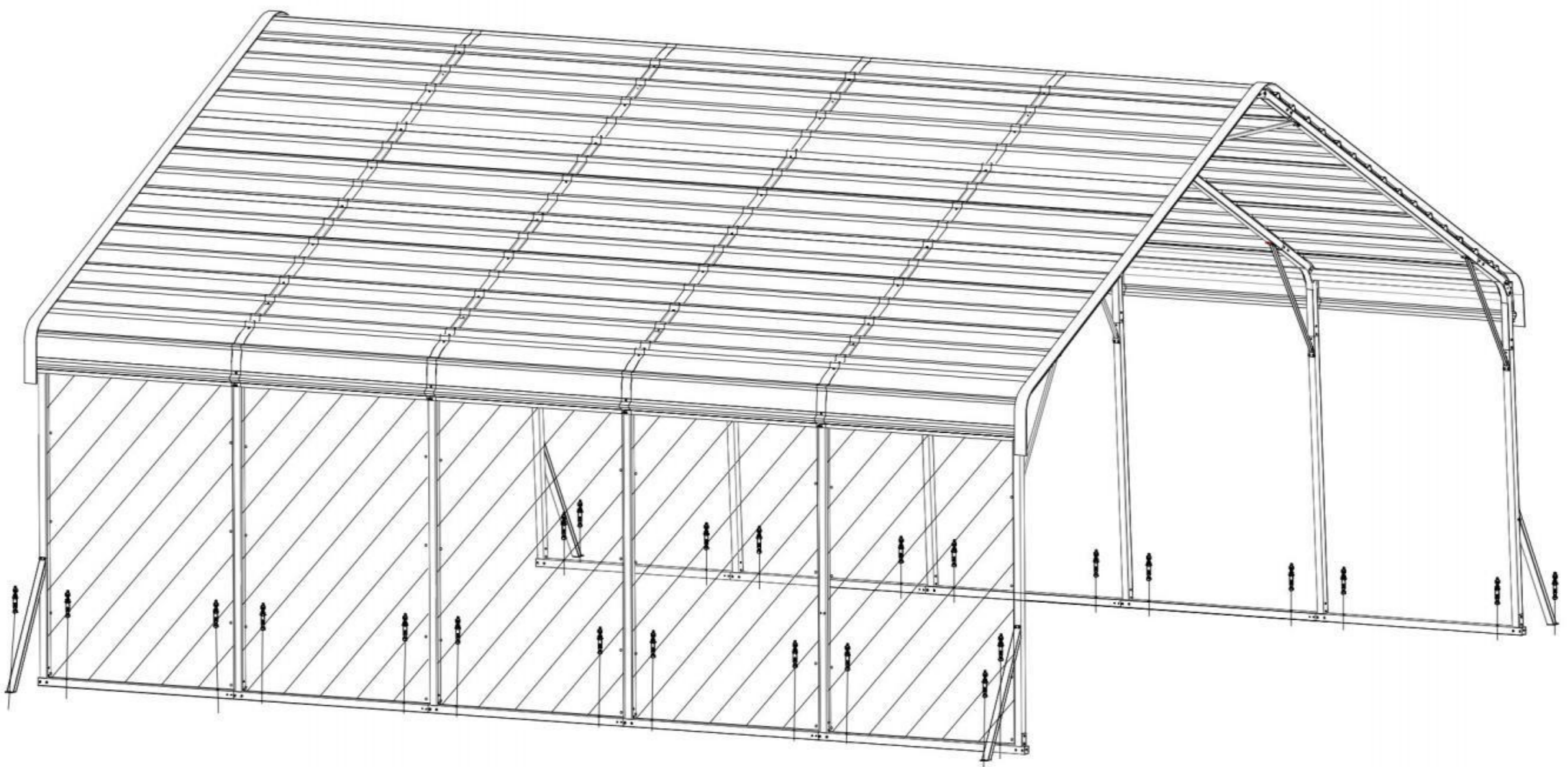
Notice:

The linking screws in this step are all: Expansion screws

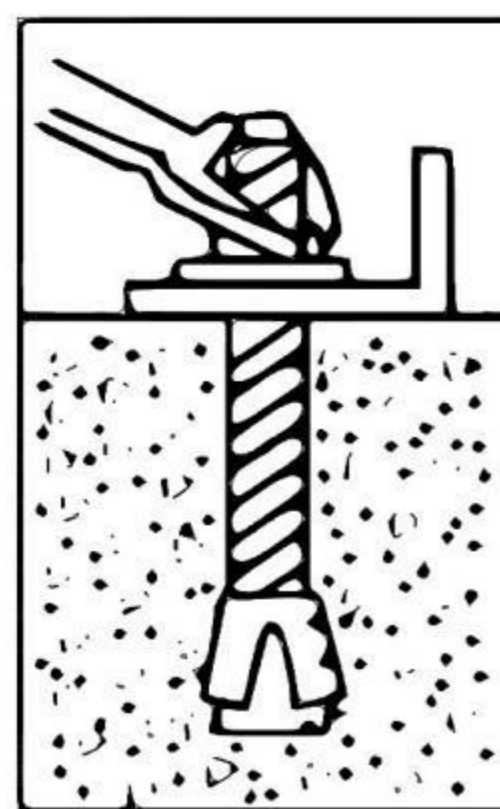
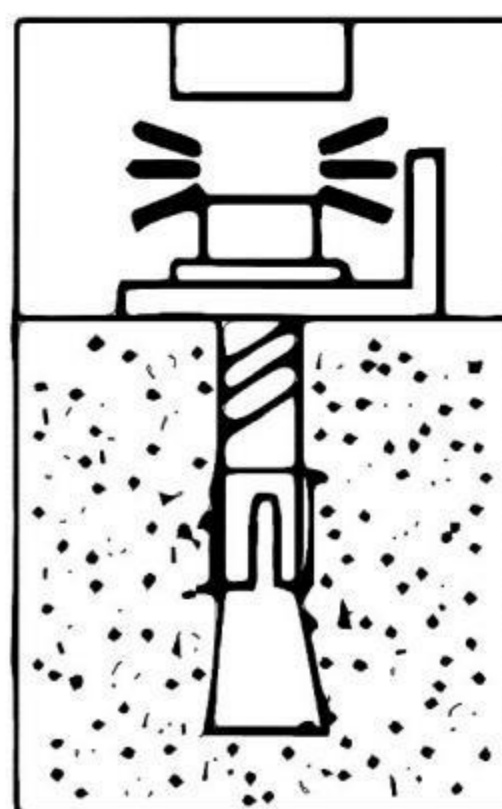
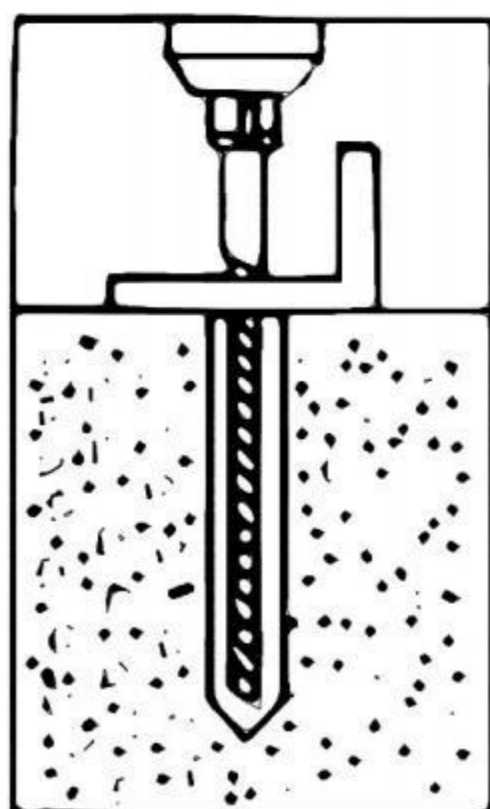
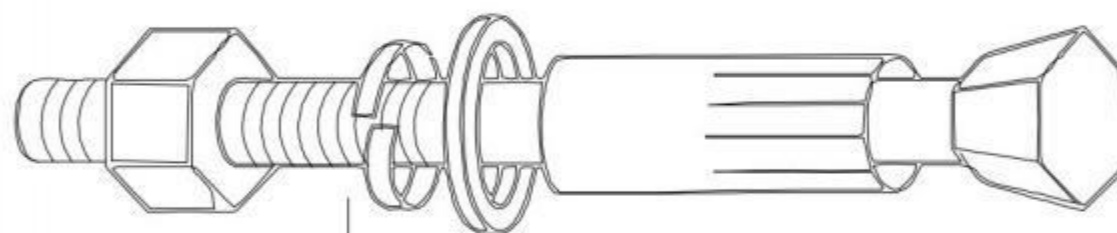
#G3



X24



# #G3





**Technisch Unterstützung Und E - Garantie  
Zertifikat**  
[www.vevor.com/support](http://www.vevor.com/support)

# VEVOR

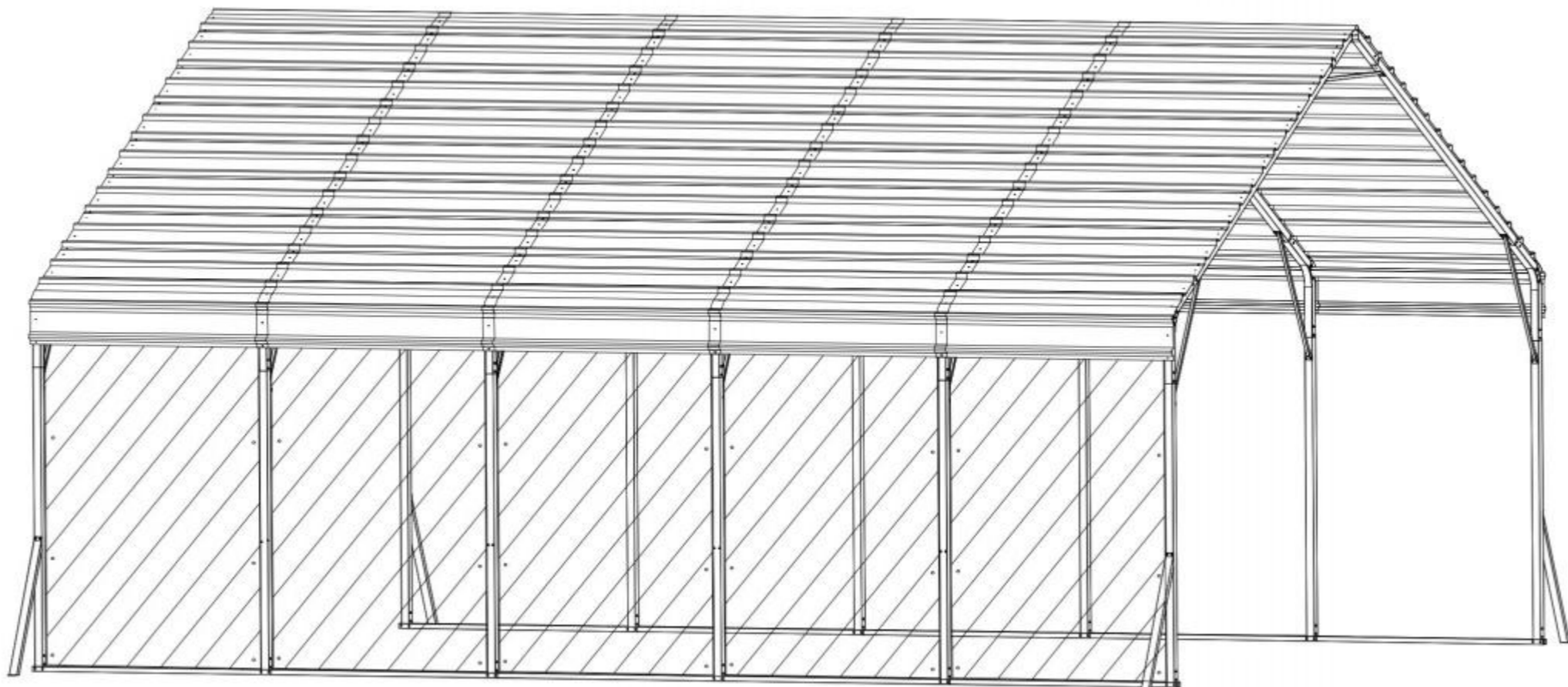
Przystępny. Niezawodny. | Poprawa domu .

Ciężki Wiaty służbowe  
Model: KD-TPQC-007-20x24ft

**Technical Support and E-Warranty Certificate**  
[www.vevor.com/support](http://www.vevor.com/support)

# CARPORT INSTALLATION INSTRUCTION

Modelka : KD - TPQC -007-20x24 stopy



Ten Jest ten oryginalny instrukcja , Proszę Czytać Wszystko podręcznik instrukcje ostrożnie zanim działający . VEVOR rezerwy A jasne interpretacja z nasz użytkownik instrukcja .  
wygląd z ten produkt  
być Być temat Do ten produkt Ty otrzymane . Proszę przebaczyć nas To My nie będzie poinformować Ty jeszcze raz jeśli Tam Czy każdy technologia Lub oprogramowanie Aktualizacje NA nasz produkt .

***IMPORTANT! PLEASE READ THIS INSTRUCTION  
CAREFULLY BEFORE INSTALLATION.***

1. Have at least two adults during installation. Read all instructions carefully and follow it accordingly. Failure to do so may result to injury or damage to the carport.
2. Never set-up the product in rainy, windy or stormy conditions, especially lightning storms.
3. Keep your carport off of the steep slopes and inclination.
4. After installation ,the carport should be anchored to prevent damage and possible injury. It is the user`s responsibility to properly anchor the product.
5. Always inspect the carport and each part before use. Make sure that everything is tightly secured. Replace any worn, defective missing parts.
6. For a better installation and use experience, it is recommended to bring your own ladder, scissors, electric drill and glass glue.

## BEZPIECZEŃSTWO INSTRUKCJE

### OSTRZEŻENIE :

Przeczytaj to tworzywo zanim używając tego produkt.

Niedopełnienie tego obowiązku może wynik poważnie obrażenia.

### Środki ostrożności podczas montażu

1. Złóż tylko według Do te instrukcje . Niewłaściwy montaż może tworzyć zagrożenia.
2. Nosić ANSI - zatwierdzone bezpieczeństwo okulary ochronne I ciężki praca rękawice podczas montaż .
3. Zachowaj ten montaż obszar czysty I dobrze oświetlony .
4. Zachowaj osoby postronne na zewnątrz z ten obszar podczas montaż .
5. Zrób nie gromadzić się Jeśli zmęczony Lub Kiedy pod ten wpływ z alkohol , narkotyki Lub lek .
6. Ten produkt możliwości stosować Do odpowiednio I całkowicie tylko produkty zmontowane.
7. Złóż NA A płaski , równy , twardy I gładki powierzchnia zdolny z bezpiecznie podtrzymując drewniane Drzewo Halloween.
8. Dla dodatkowy informacja w sprawie ten strony katalogowany W ten następujące strony, Proszę odnieść się do Montaż Schemat tego podręcznik. Odwijać się i oddziel wszystko strony w czysta robota obszar.

### Używać środki ostrożności

- 1.ZROBIĆ NIE SIEDZIEĆ ANI NIE STOJEĆ W TYM PRZEDMIOT.
- 2.To produkt Jest nie zabawka. Do nie pozwalaj dzieciom bawić się lub w pobliżu Ten przedmiot.
3. Zrób nie przekroczyć określony waga pojemności .
4. Użyj tylko NA A płaski , równy , ciężko i gładki powierzchnia To Móc bezpiecznie wspierać A w pełni załadowany Drewniany Hala Drzewo .
- 5.Użyj jako wyłącznie zamierzone.
- 6.Przeglądaj przed każdym używać; robić nie używać jeśli części są luźne Lub uszkodzony.

### ZAPISZ TO PODRĘCZNIK

## WAŻNY! PROSZĘ PRZECZYTAJ TO INSTRUKCJA DOKŁADNIE ZANIM INSTALACJA.

1. Instalacja wymaga w co najmniej dwie osoby dorosłe. Przeczytaj wszystko instrukcja s care- w pełni i postępuj zgodnie z odpowiednio. Niewykonanie tego móc wynik W obrażenia lub uszkodzenia Do ten wiata garażowa .

2.Nigdy nie ustawiaj w górę produkt W warunki deszczowe, wietrzne lub burzowe , es- szczególnie oświetlenie burza s.

3.Utrzymuj wiatę samochodową z dala od stromych zboczy i nachylenie.

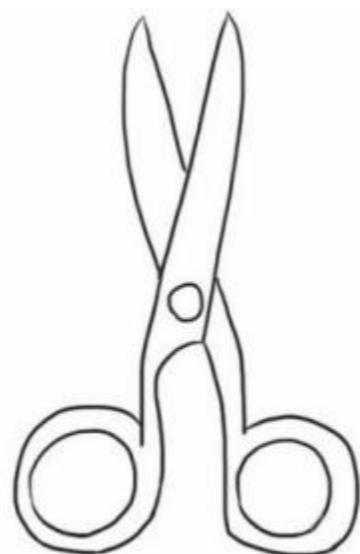
4. Po zamontowaniu wiata samochodowa powinna być zakotwiczony Do zapobiegać uszkodzenie i możliwy obrażenia. To to jest e użytkownika odpowiedzialność za odpowiednio zakotwiczyć produkt.

5. Zawsze sprawdź wiatę garażową i każdą część przed użyciem . Robić Jasne że wszystko jest solidnie zabezpieczone. Wymień wszystkie zużyte, wadliwy zaginiony strony.

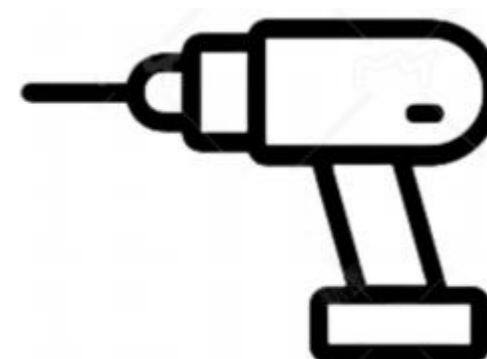
6. Dla lepsze doświadczenie instalacji i użytkowania, To Jest zalecony Do zabierz własną drabinę, nożyczki, sprzęt elektryczny wiertarka I szkło klej.



Drabina
















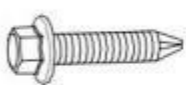
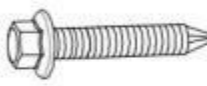

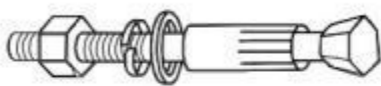

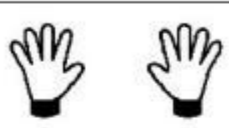




Nożyczki







Wiertarka  
elektryczna

# PACKAGE CONTENTS

This carport is packed in 5 boxes. Before the installation, please check all the parts according to the part list. If there is any part missing or defective, please contact us immediately to get replacement parts.

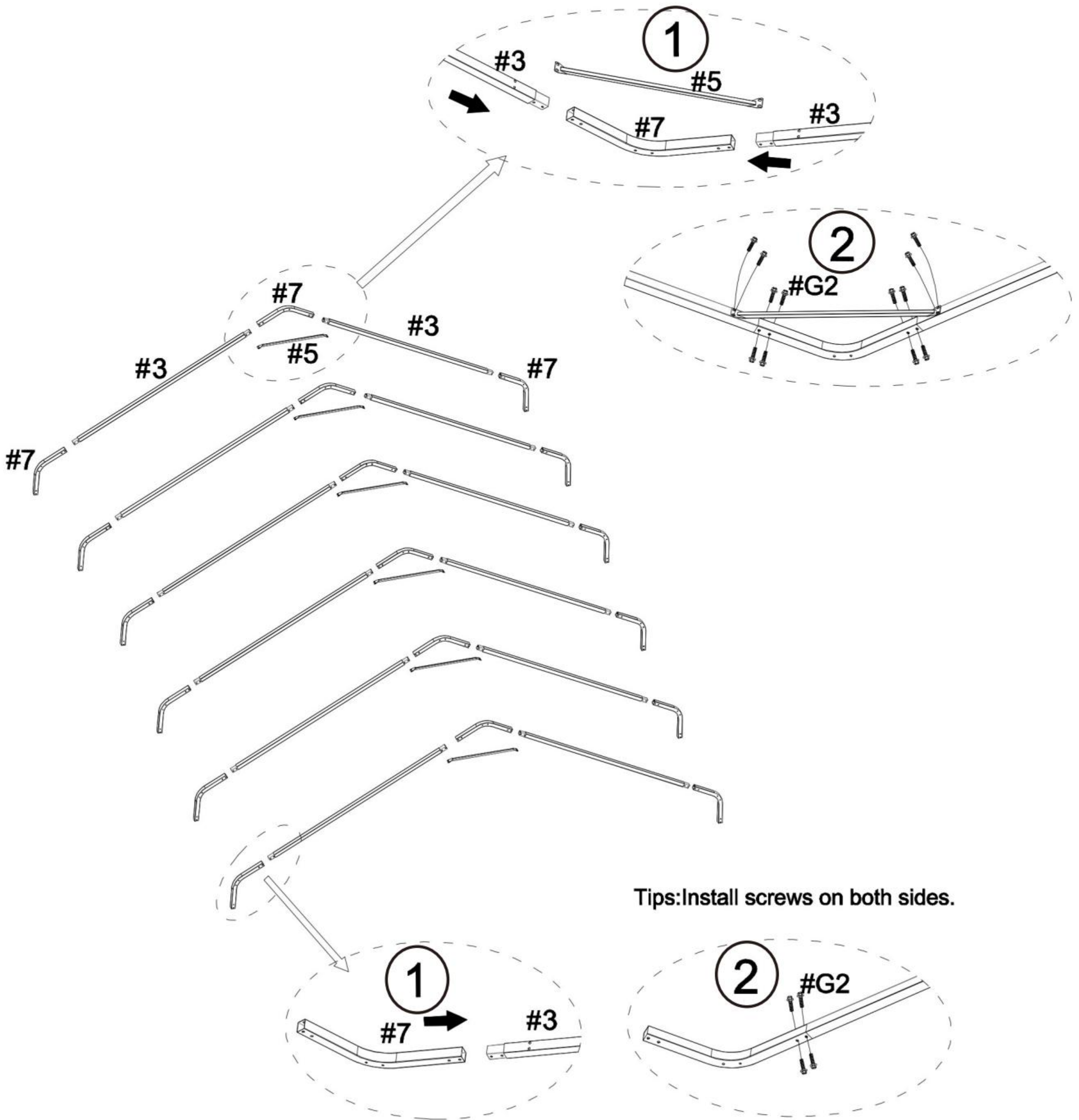
<b>Part No.</b>	<b>Part Name</b>	<b>Drawing</b>	<b>Qty</b>
#1	Side pole 1		10PCS
#2	Side pole 2		5 PCS
#3	Straight peak pole		12 PCS
#4	Leg pole		12 PCS
#5	Top Reinforcing pole		18 PCS
#6	Ground bar 1		8 PCS
#6a	Ground bar 2		2 PCS
#7	Connector		18 PCS
#8	Ground Reinforcing pole		4 PCS
#9	Side-side defense pole		10 PCS
#10	Side plate 1		3 PCS
#11	Side plate 2		4 PCS
#R	Roof cover		85 PCS
#G1	M5X20 Self-Tapping screws		322PCS
#G1a	M5X25 Self-Tapping screws		24 PCS
#G2	Socket head bolt		314 PCS
#G3	Expansion screws		26 PCS
#G4	Socket head bolt & Nut		38 PCS
#L	Gloves		2 pairs
#Y1	Waterproof tape		8 PCS
#Y2	Anti-cut tape		20 M
#Y3	Enclosure		5 PCS
#Y4	Beads of rope		60PCS

# STEP 1: Assemble the Top Frame




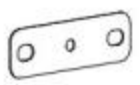

#3		X12
#5		X6
#7		X18
#G2		X120

**Notice:**

The linking screws in this step are all: Socket Head Bolt (#G2)

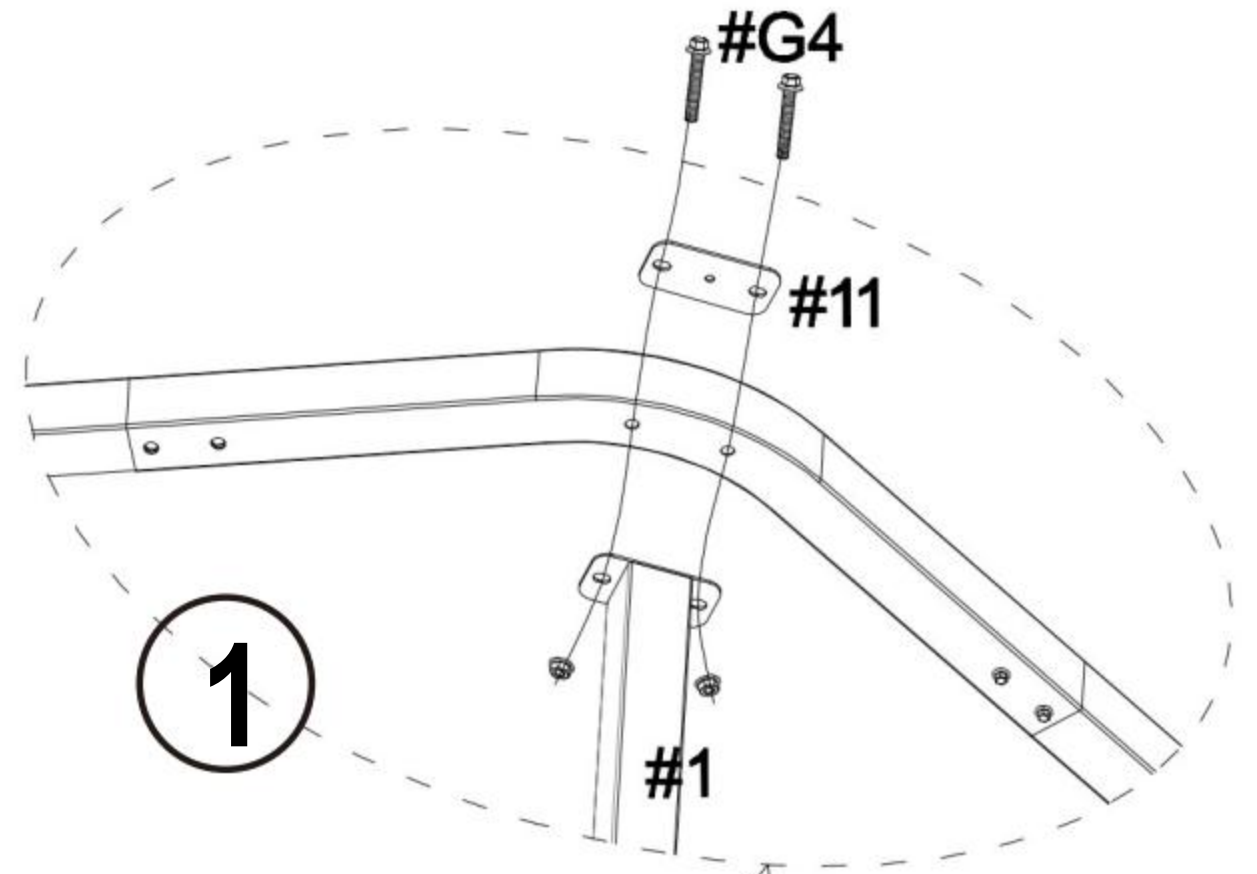


# STEP 2:

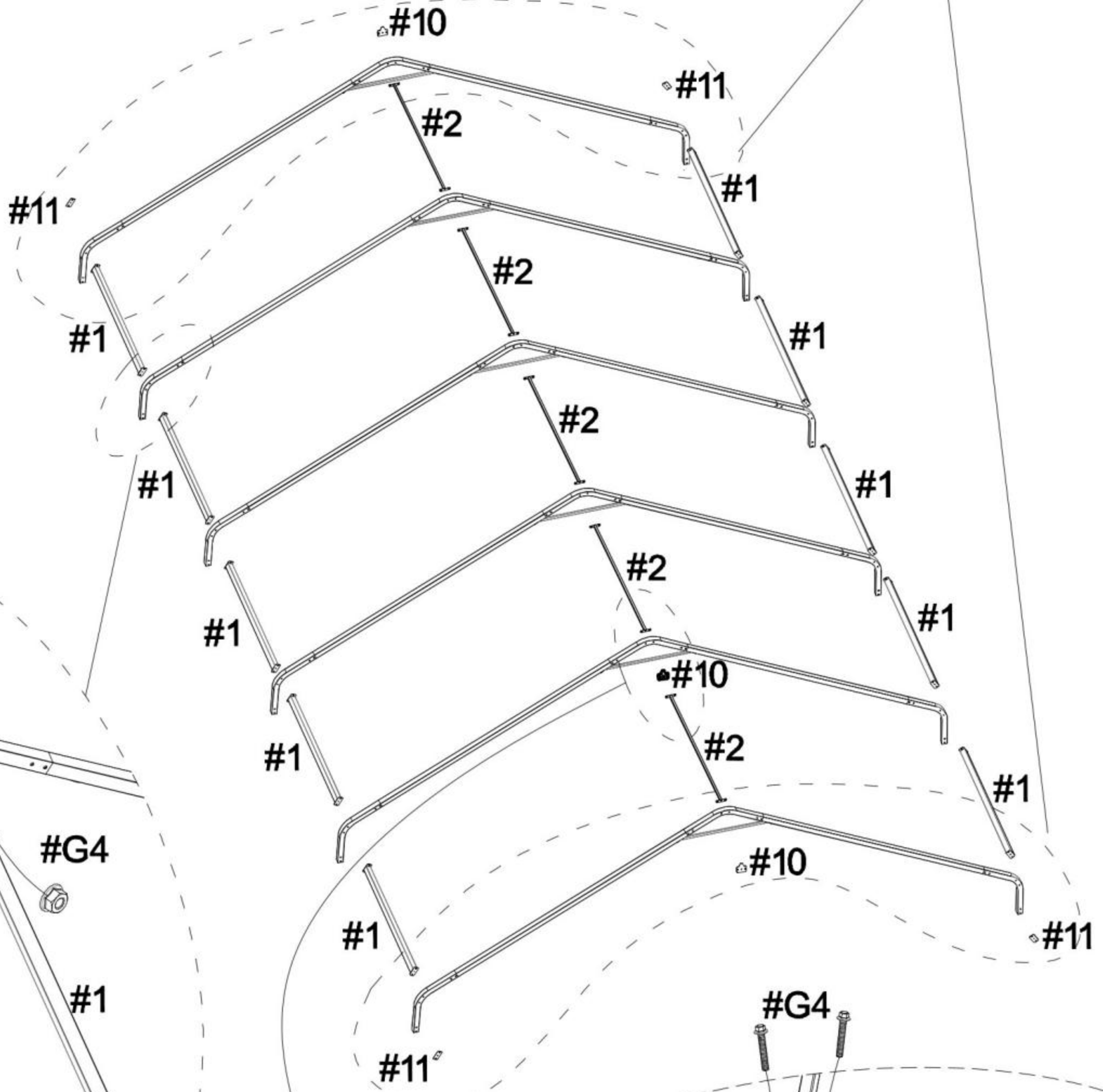
#1		X10
#2		X5
#10		X3
#11		X4
#G4		X36

**Notice:**

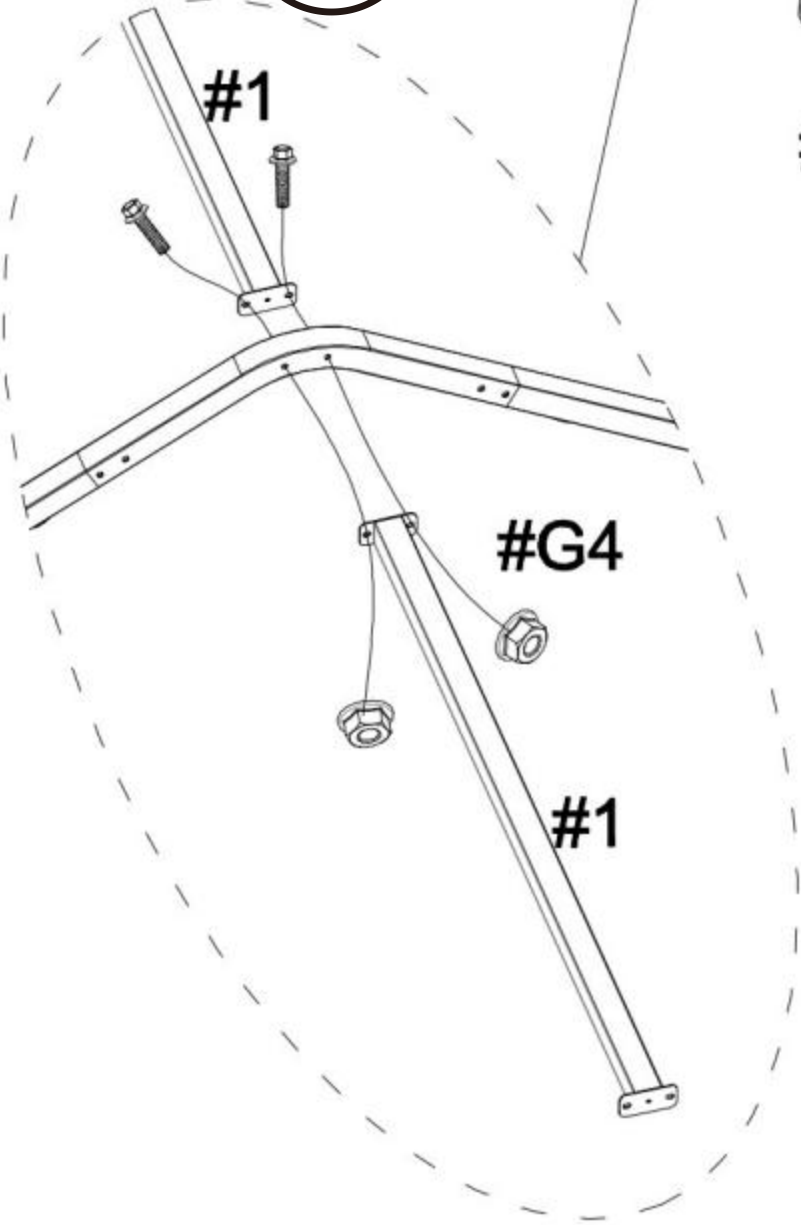
The linking screws in this step are all: Socket Head Bolt (#G4)



1



2



3

## STEP 3: Install the Top Roof

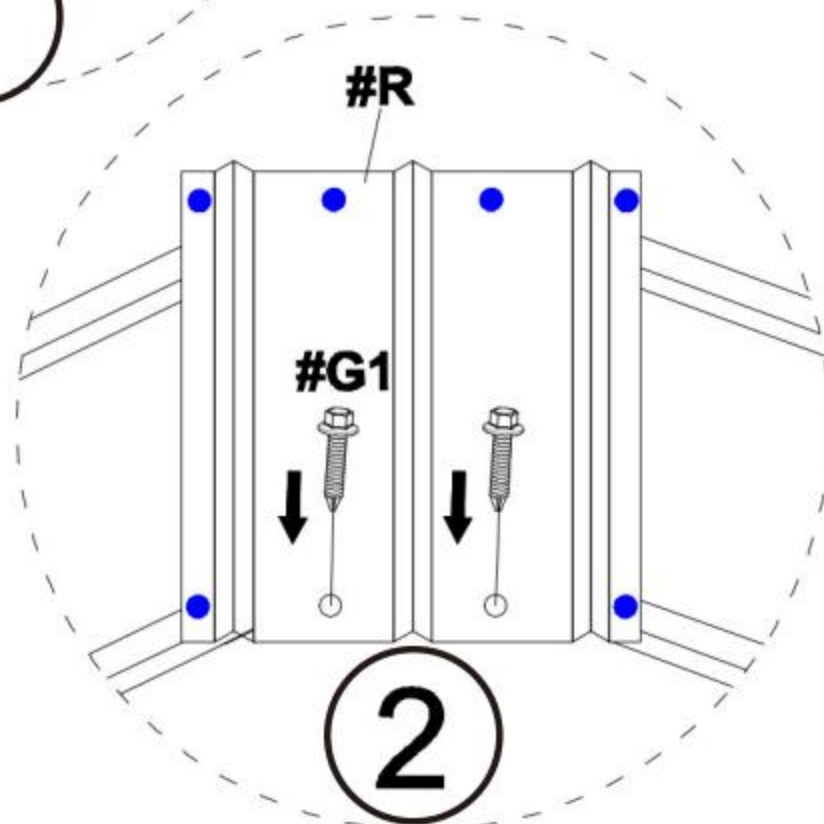
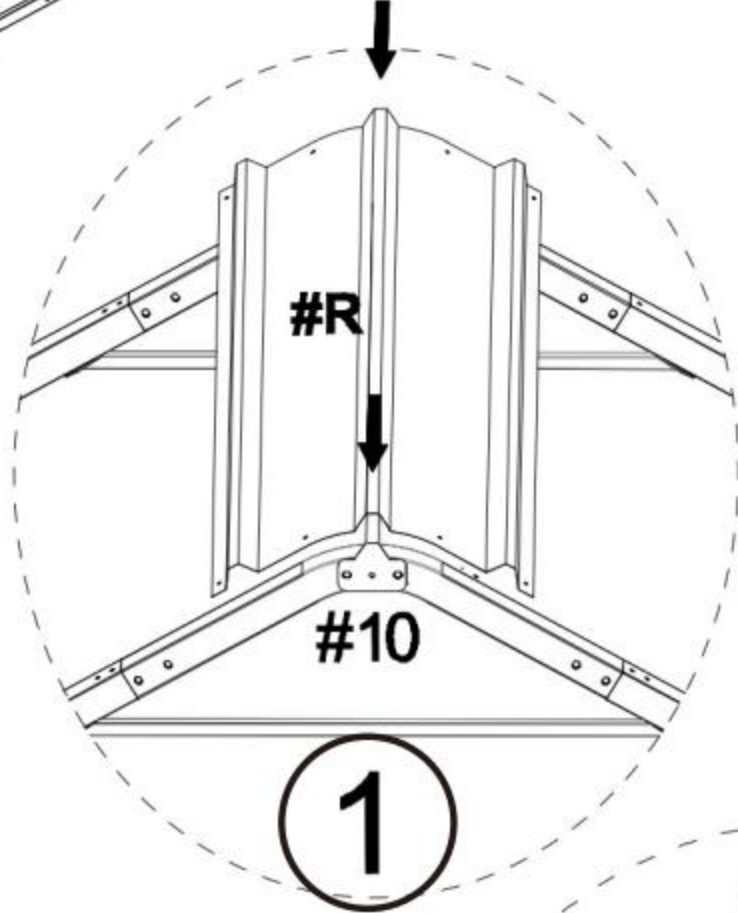
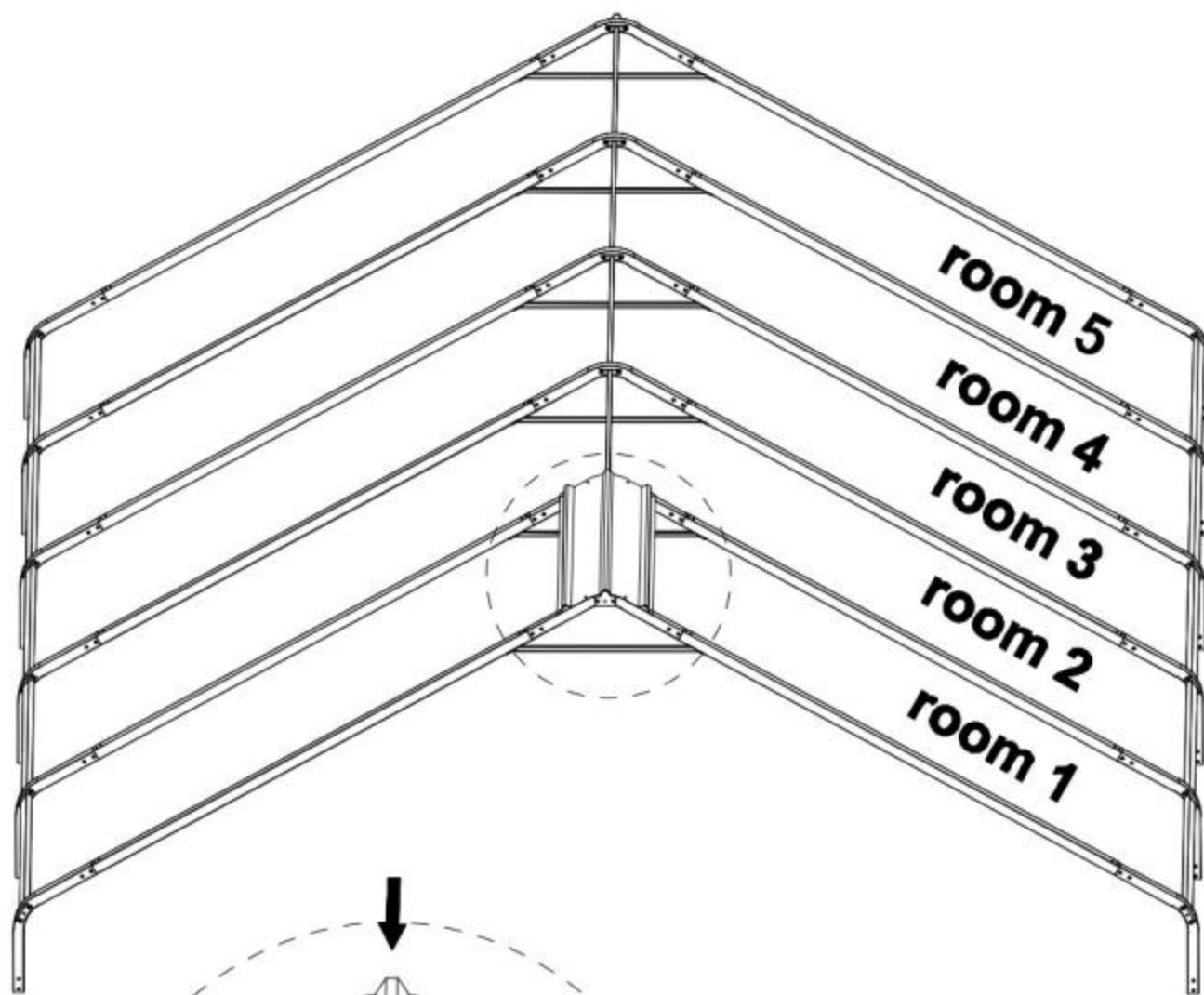
Install all the Roof Cover (#R) to the top frame. The linking screws in this step are all: Self-Tapping Screws (#G1), as shown in the picture.

Notice:




1. The meaning of different colored holes in the Roof Cover (#R);

- Blue hole: no screws here right now.
- Black hole: nonal installation

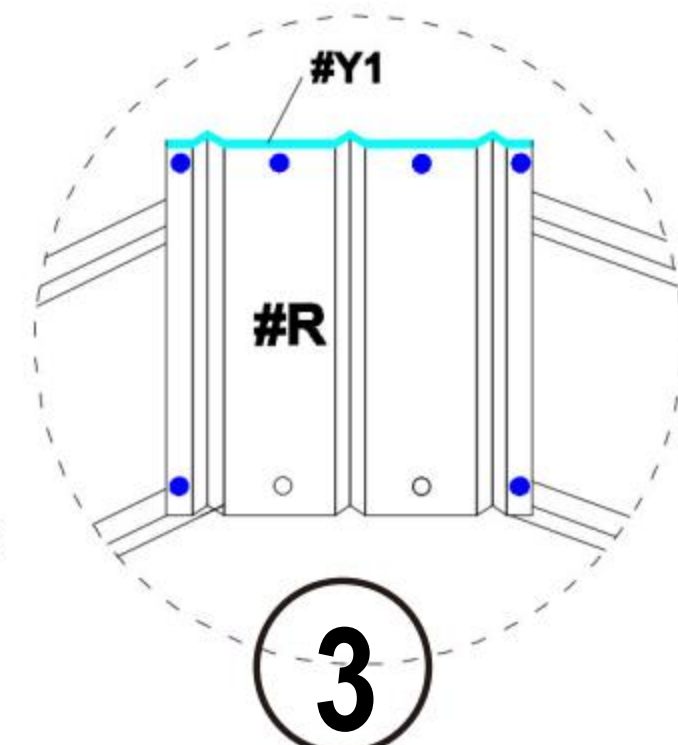
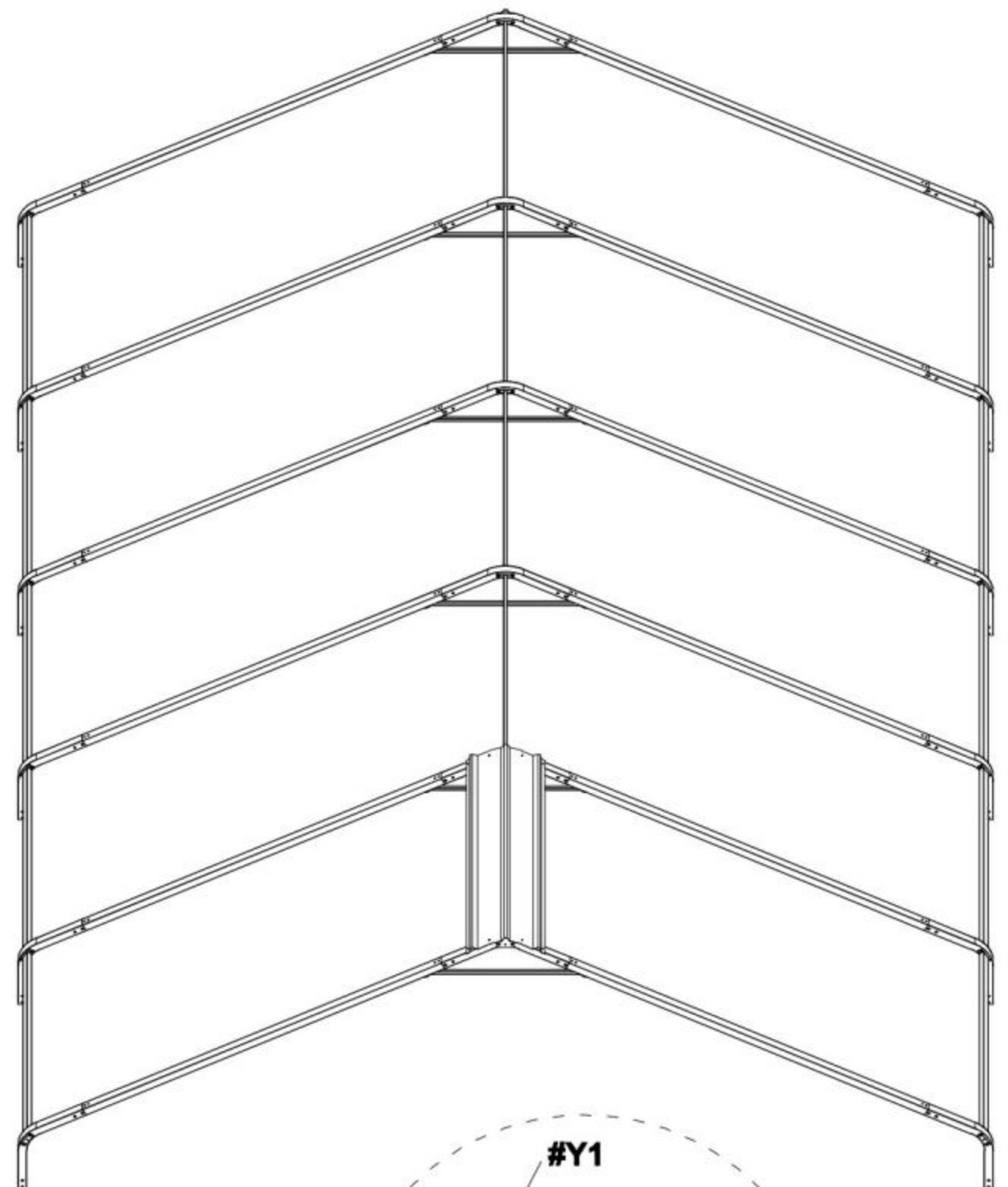
1) Starting from the top middle of room 1 to room 5, install the first row of Roof Covers (#R).



When installing the first piece of roof covering, place the middle slot of the tile at the gasket #10 bump for easy reinforcement with screws

#R		X1
#Y1		X8
#G1		X2




2) When installing each Roof Cover (#R), you need to use Waterproof Tape (#Y1) as shown in the picture.



# STEP 4:

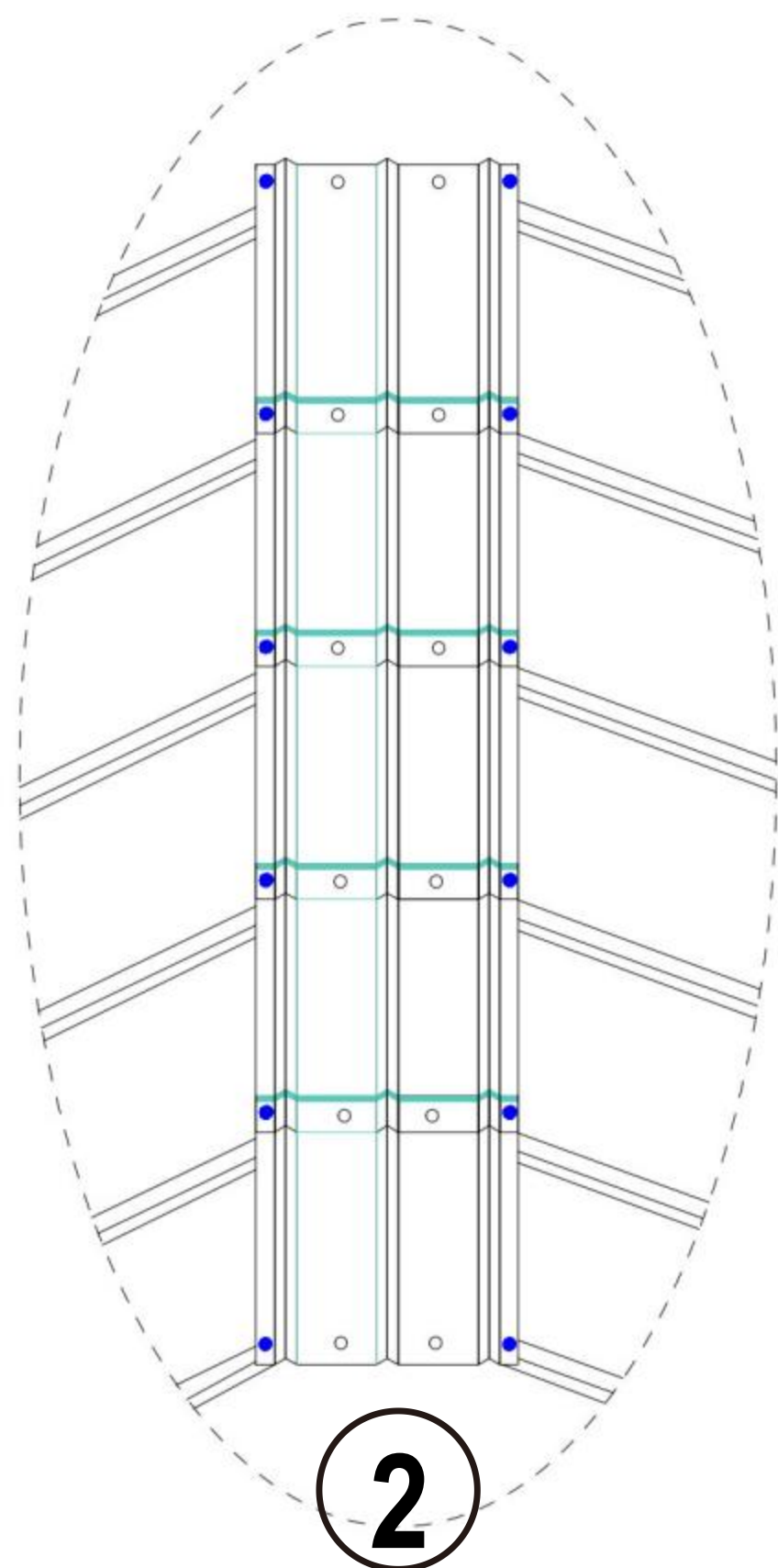
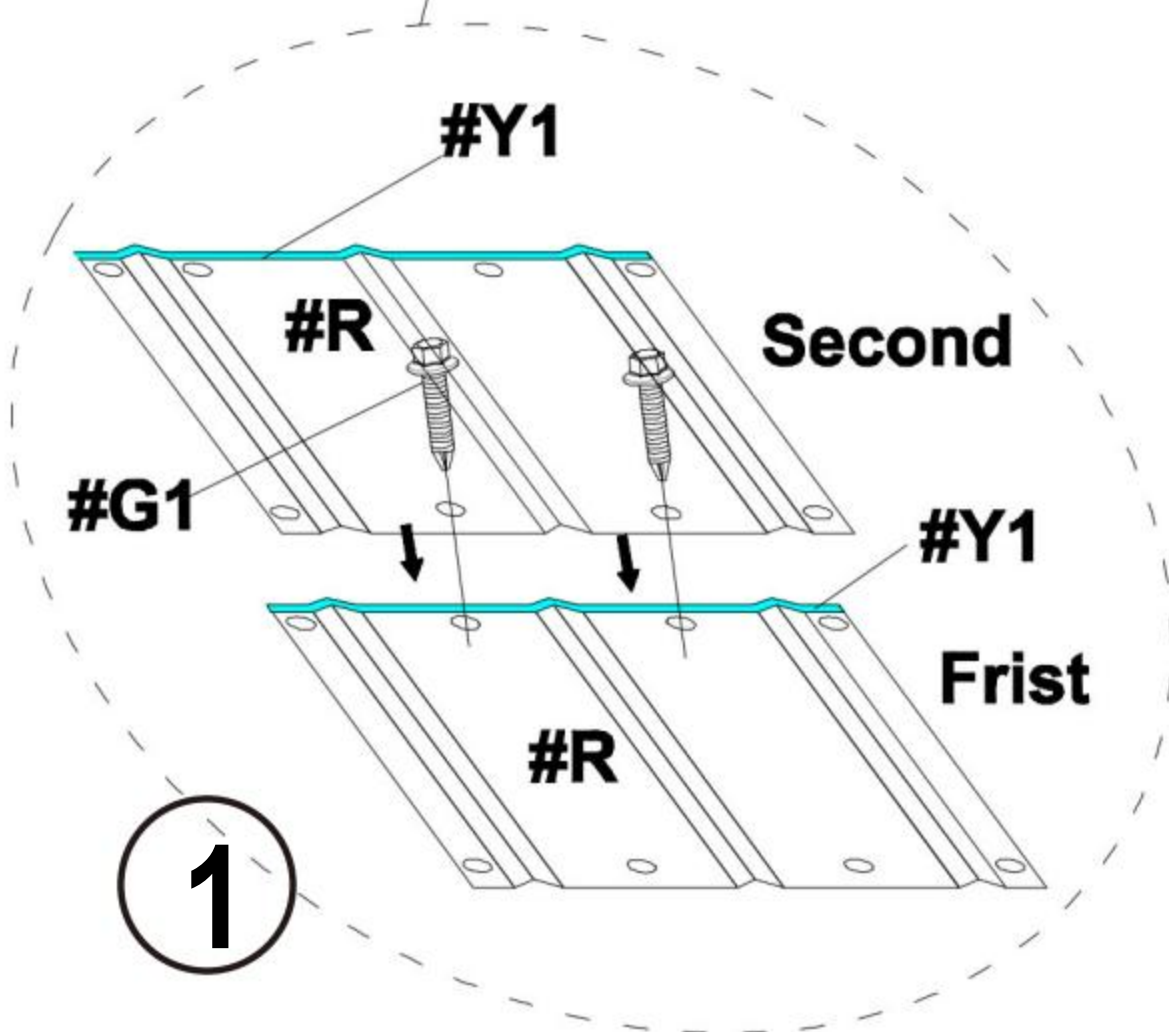
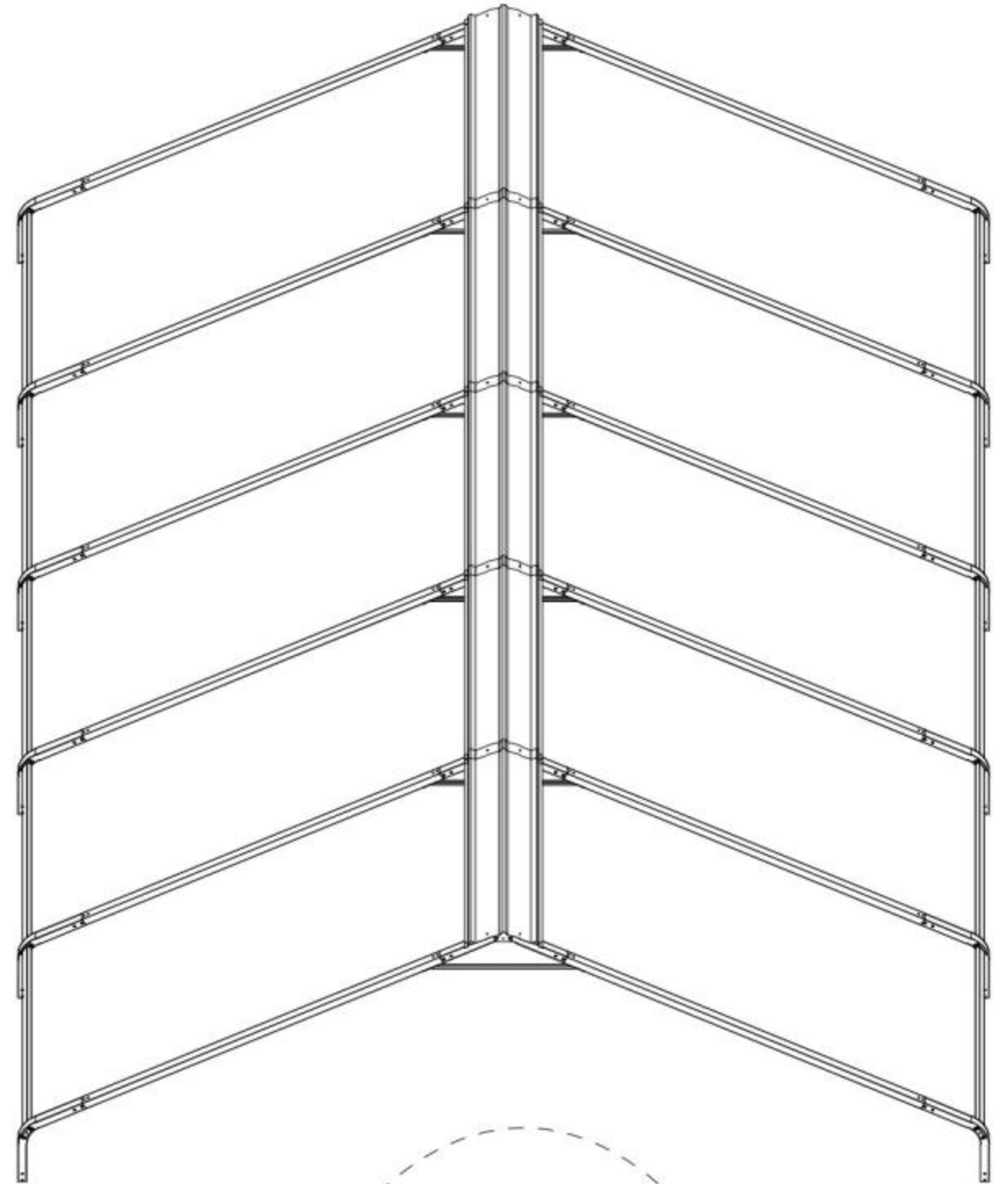
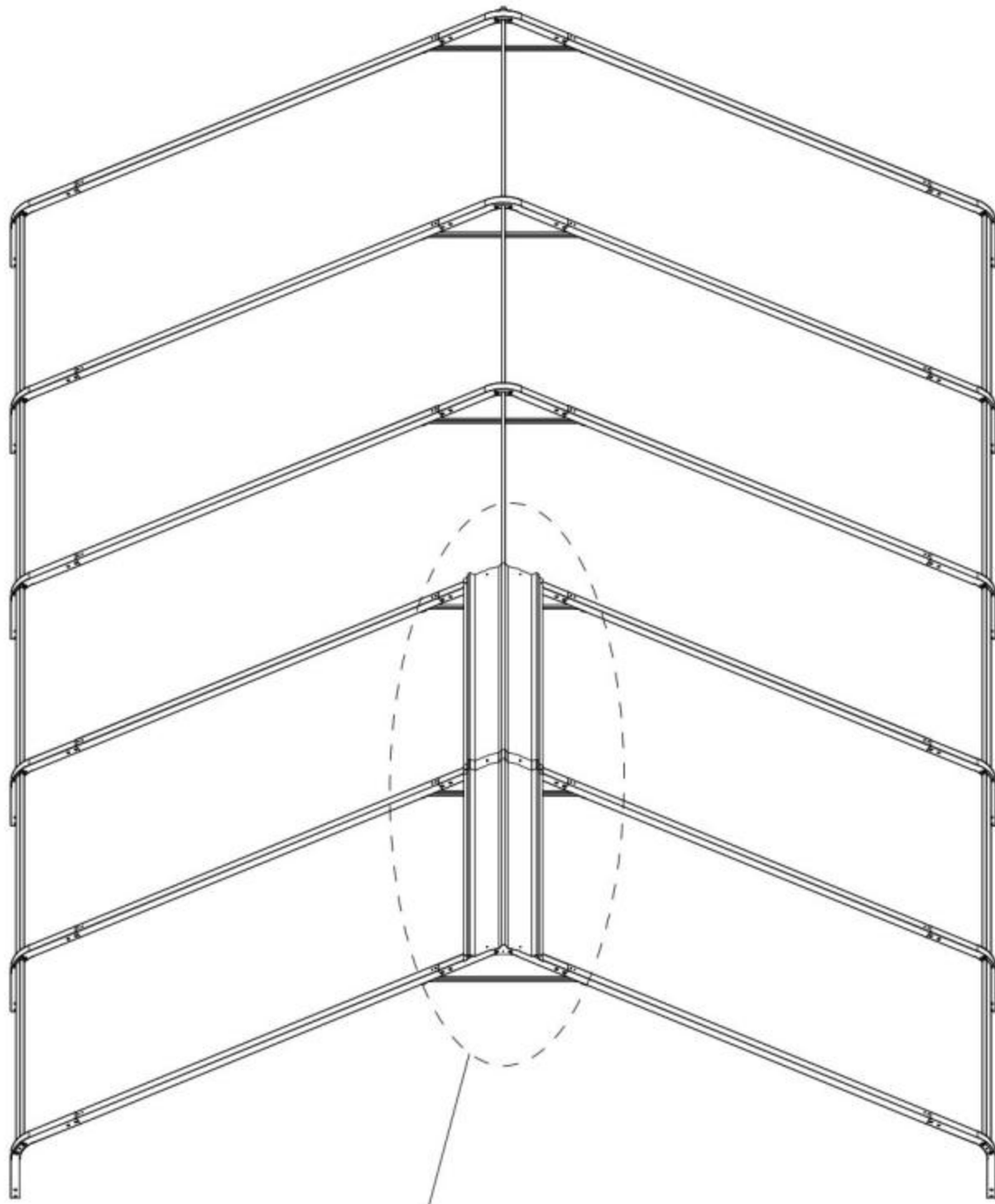
## Notice:

1. Make sure that the screw holes are aligned, and then press the Waterproof Tape (#Y1)
2. Make sure there are no gaps between the two roof covers to prevent water leakage

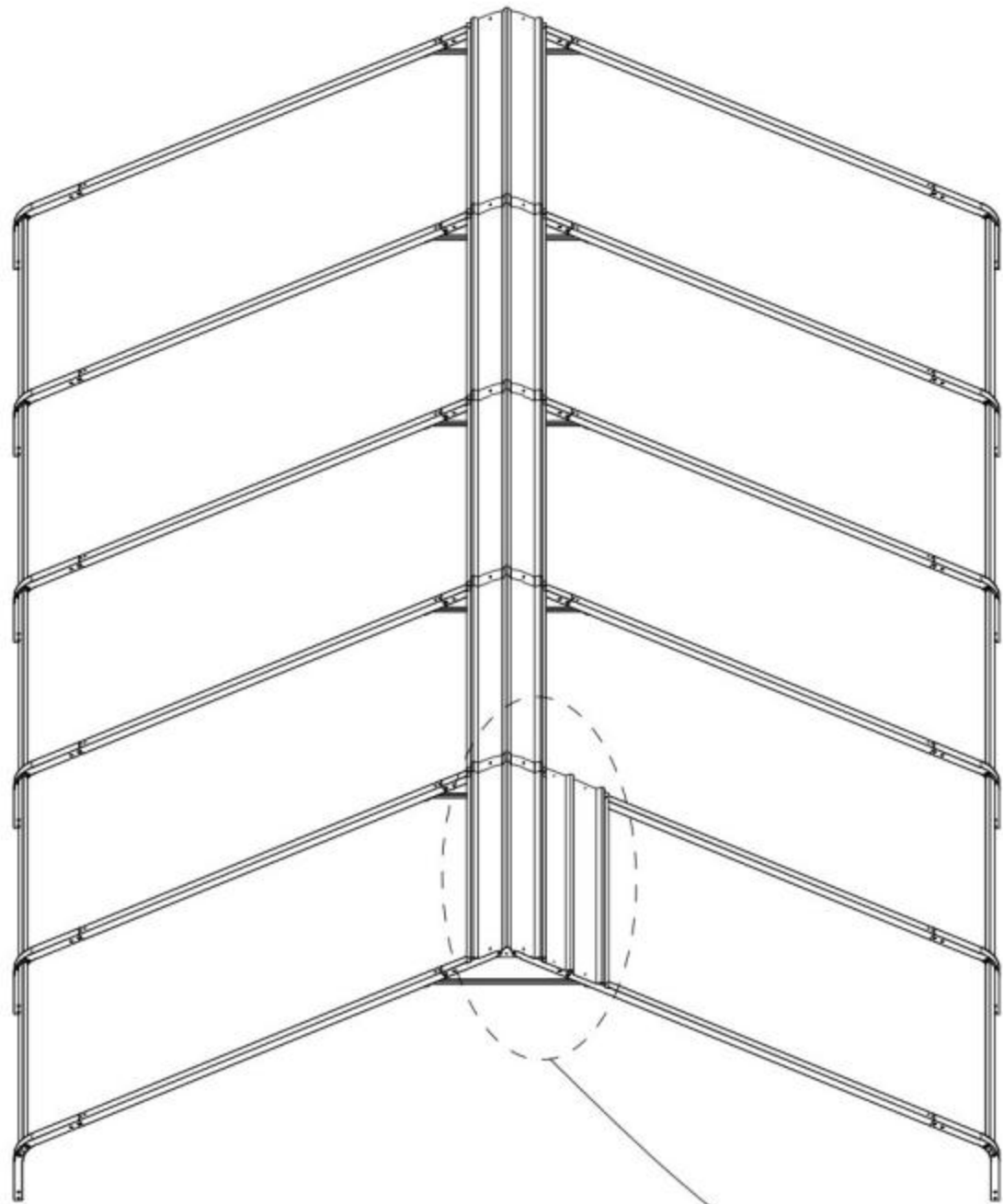
#R		X4
#Y1		
#G1		X10



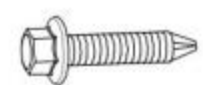
3.1) The second Roof Cover (#R) needs to be placed on the first Roof Cover (#R)

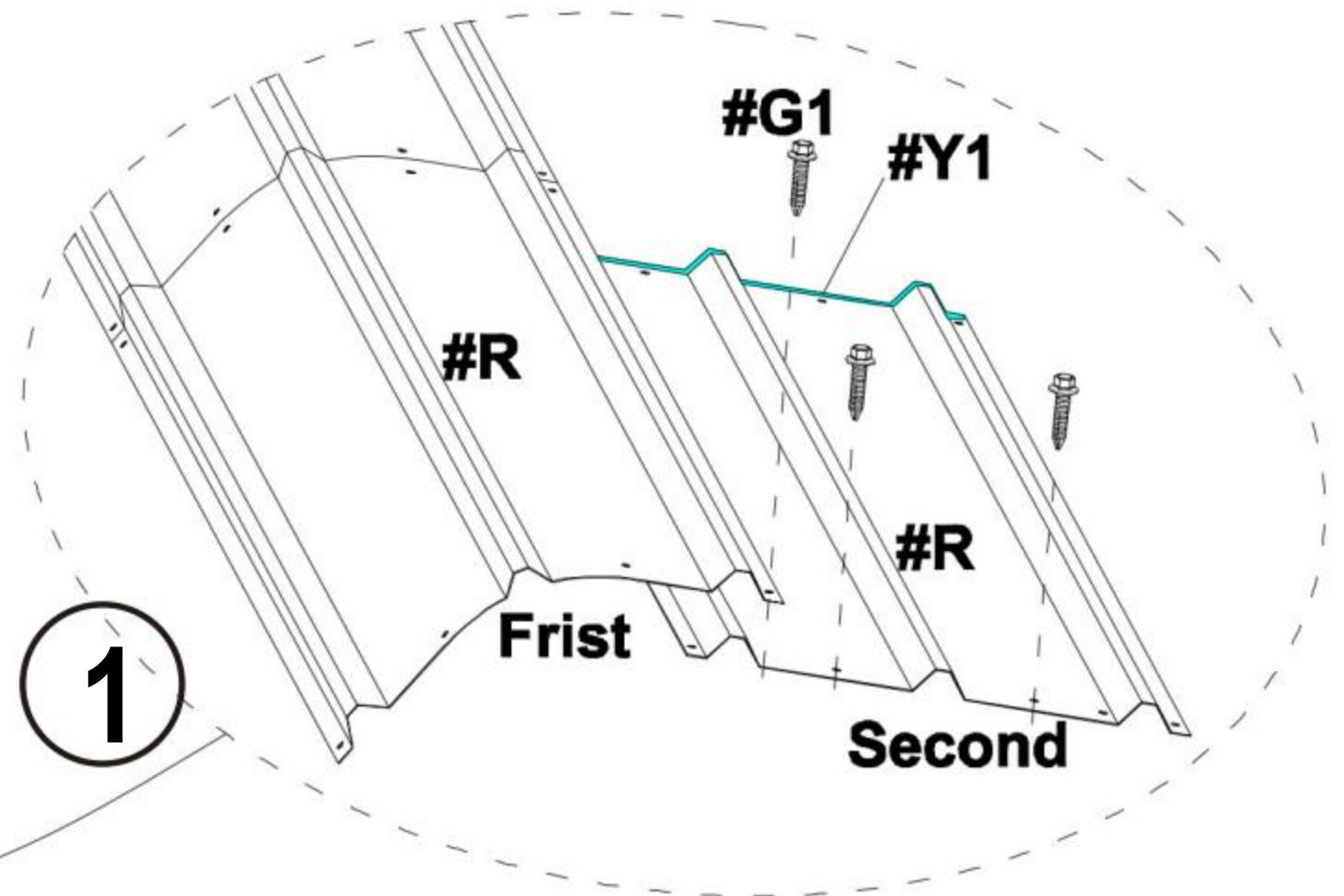
3.2) Follow the previous steps and continue to install the remaining Roof Cover (#R) in the middle row.



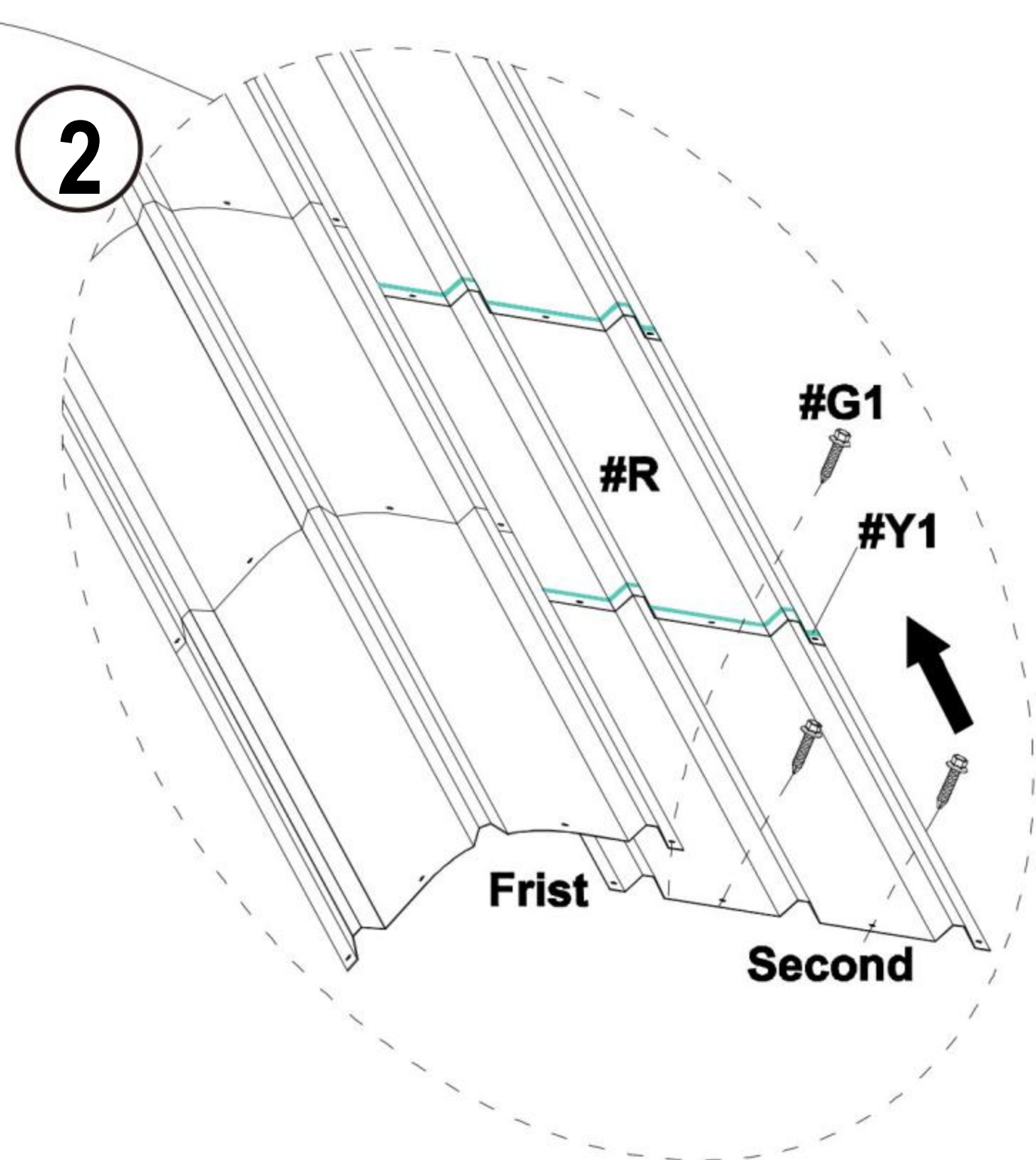
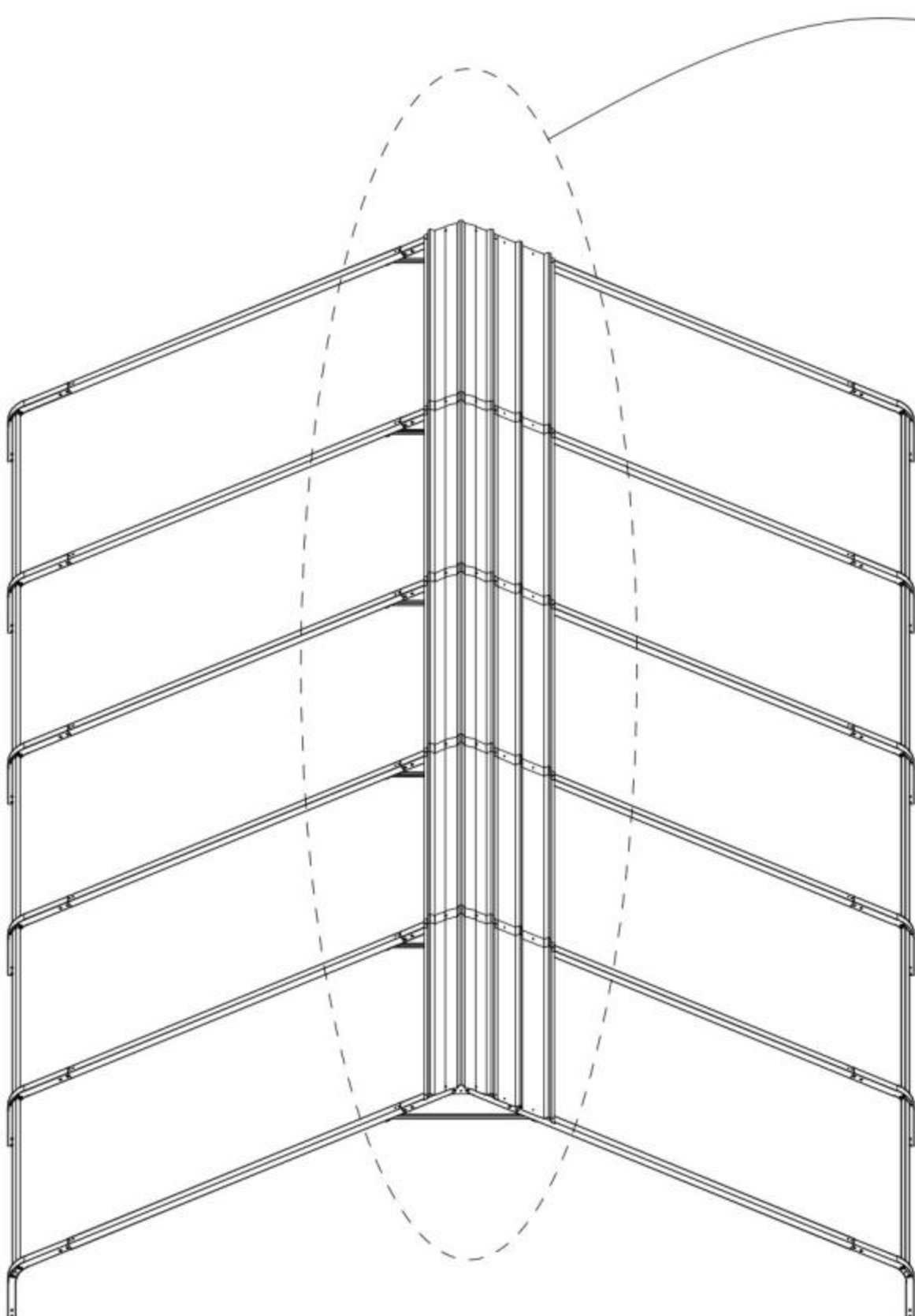
4.1) After installing the middle row, continue to install the 4 rows on the right. Each newly installed Roof Cover (#R) in a row needs to be placed below the Roof Cover (#R) in the previous row, as shown in the picture.






#R		X5
#Y1		
#G1		X18

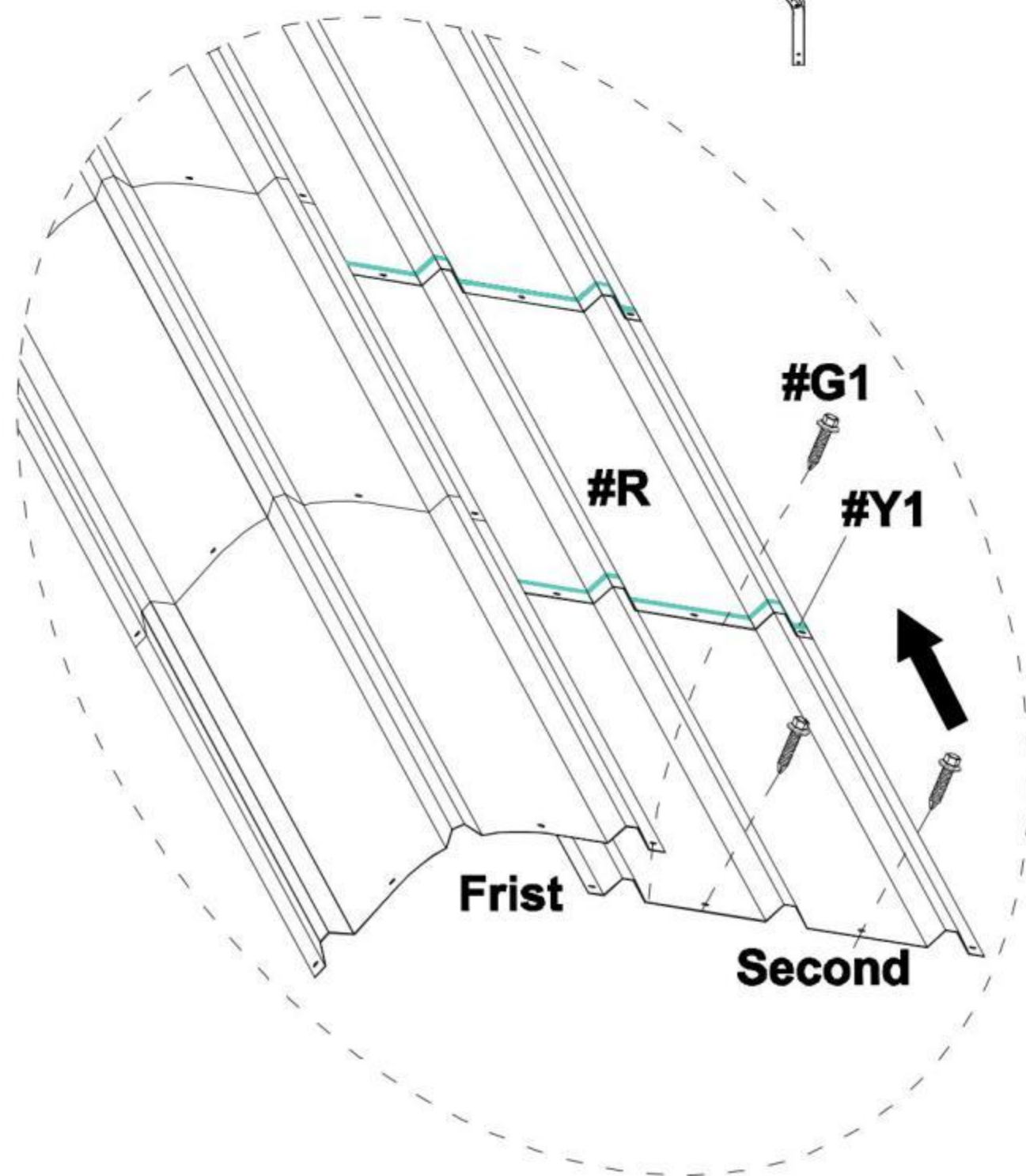
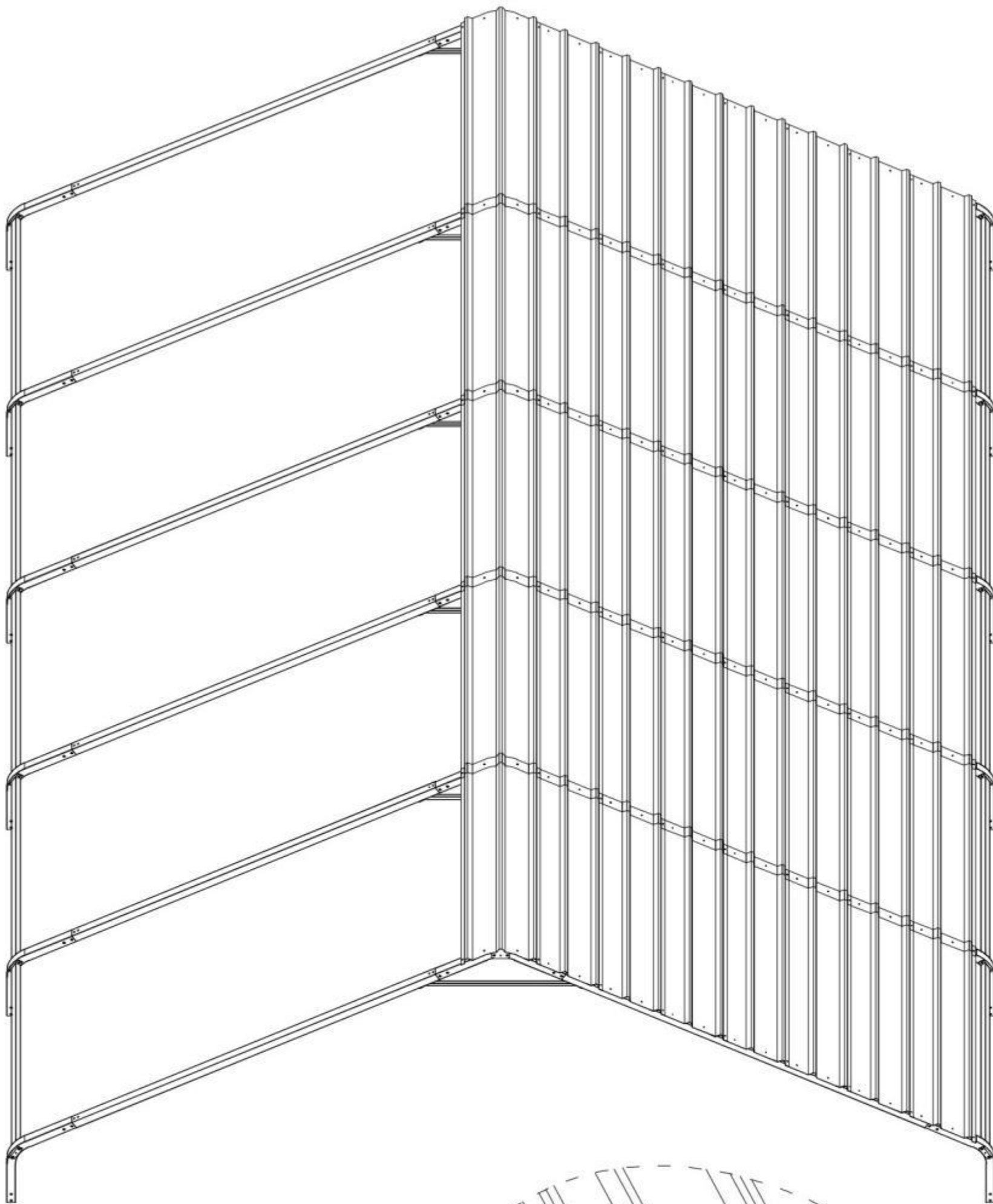


4.2) Same as the previous step, after pasting the Waterproof Tape(#Y1) of RoofCovers(#R),install the next Roof Covers(#R).






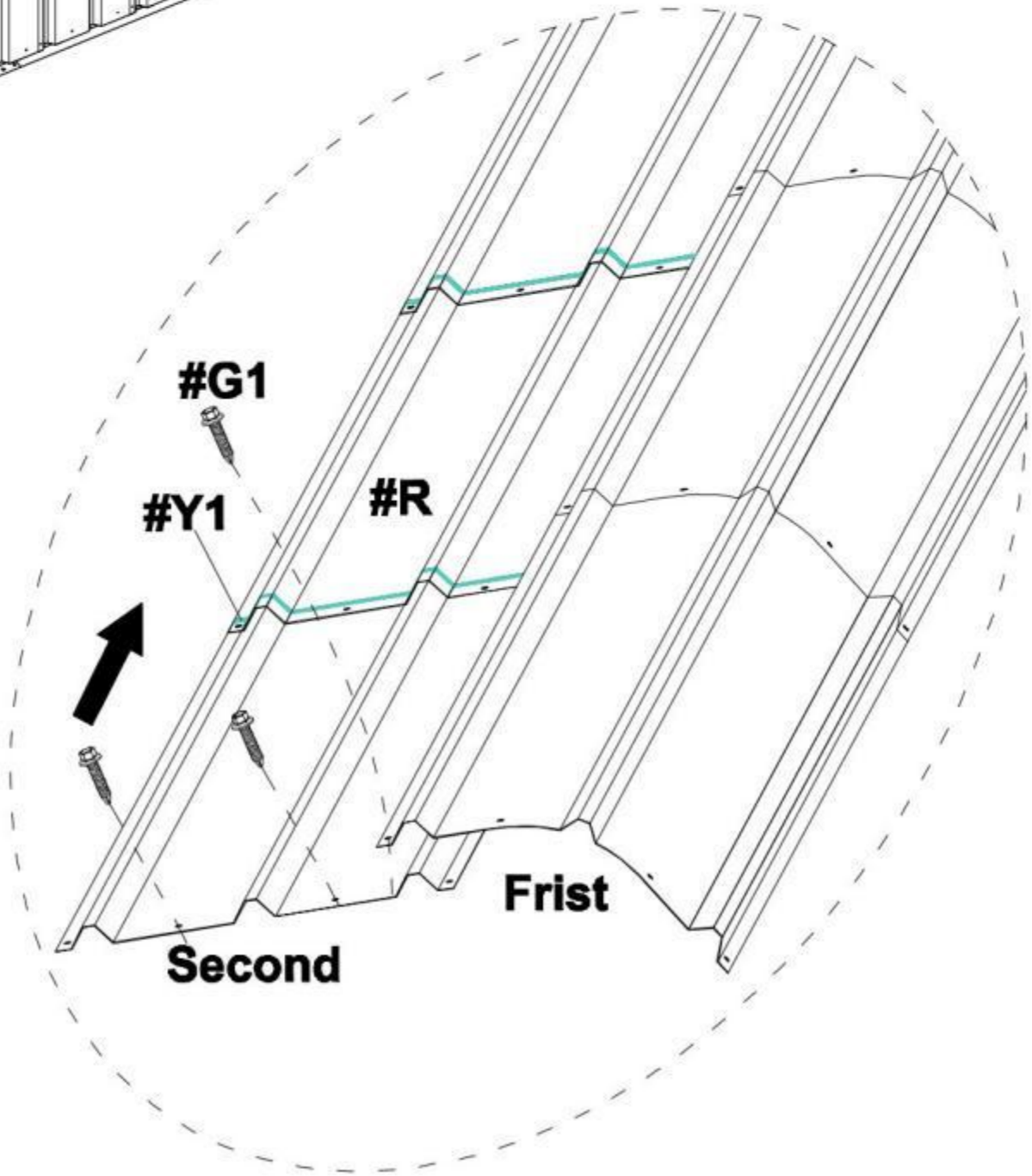
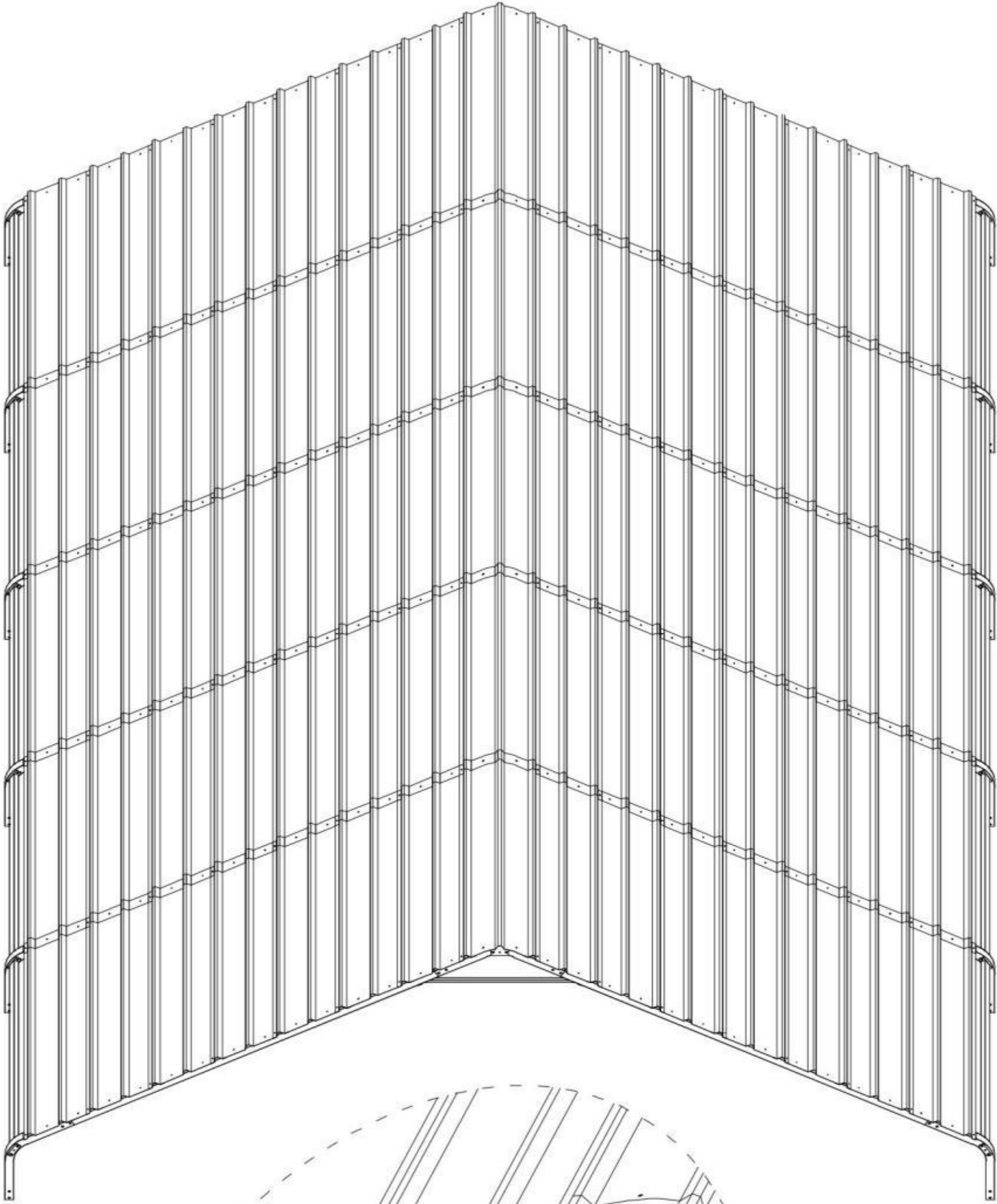
4.3) Follow the previous steps and continue to install the Roof Cover (#R) in the remaining 6 rows on the right.

#R		X30
#Y1		
#G1		X108



5.2) Same as the installation steps for the 6 rows on the right, please complete the installation of Roof Cover(#R) of the 7 rows on the left.

#R		X35
#Y1		
#G1		X126

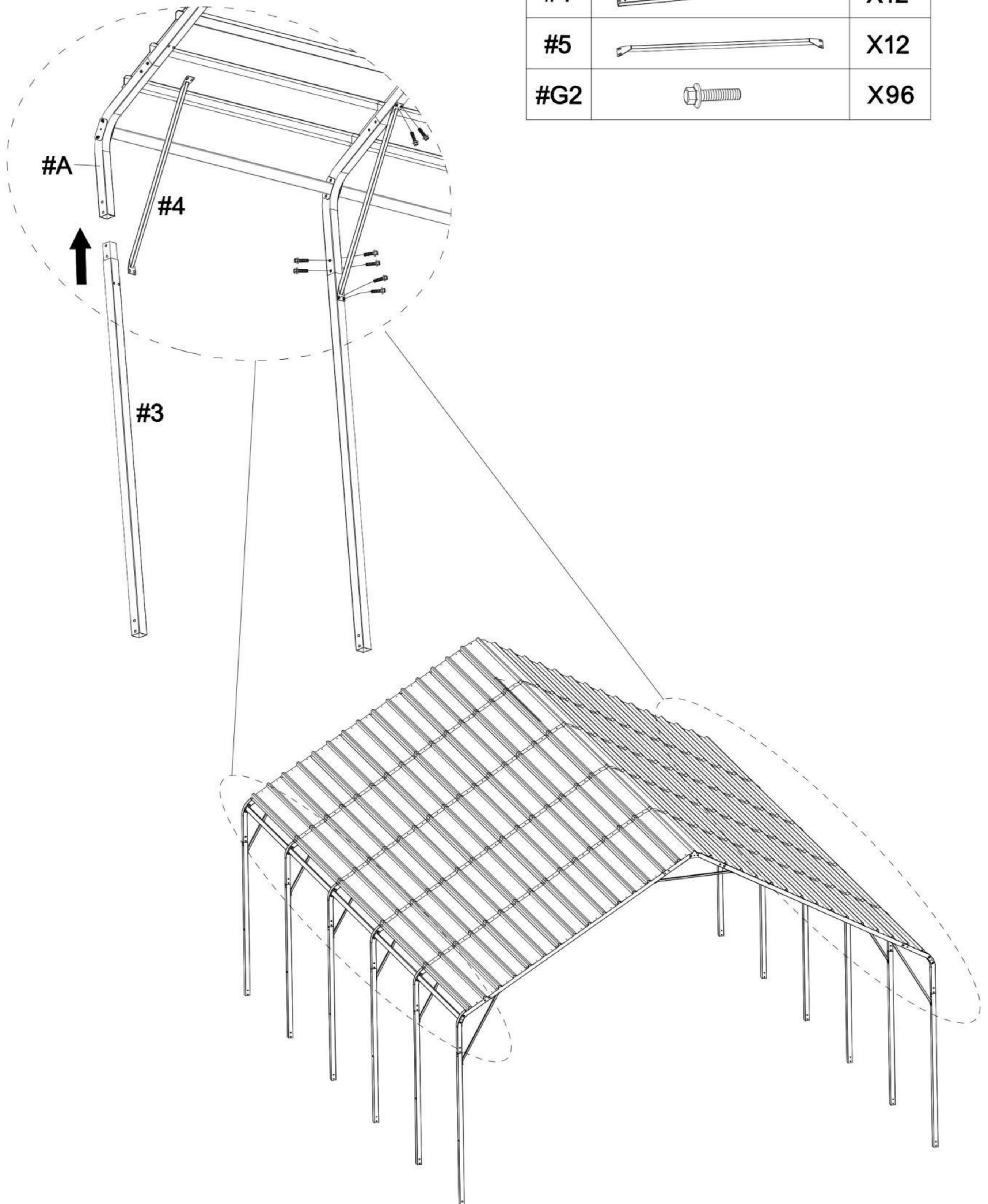


## STEP 5: Connect Legs

1) Install Leg Pole(#4) and Top Reinforcing pole(#5) to the Connector(#7).





2) The linking screws in this step are all: Hex Head Cap Bolt (#G2) .

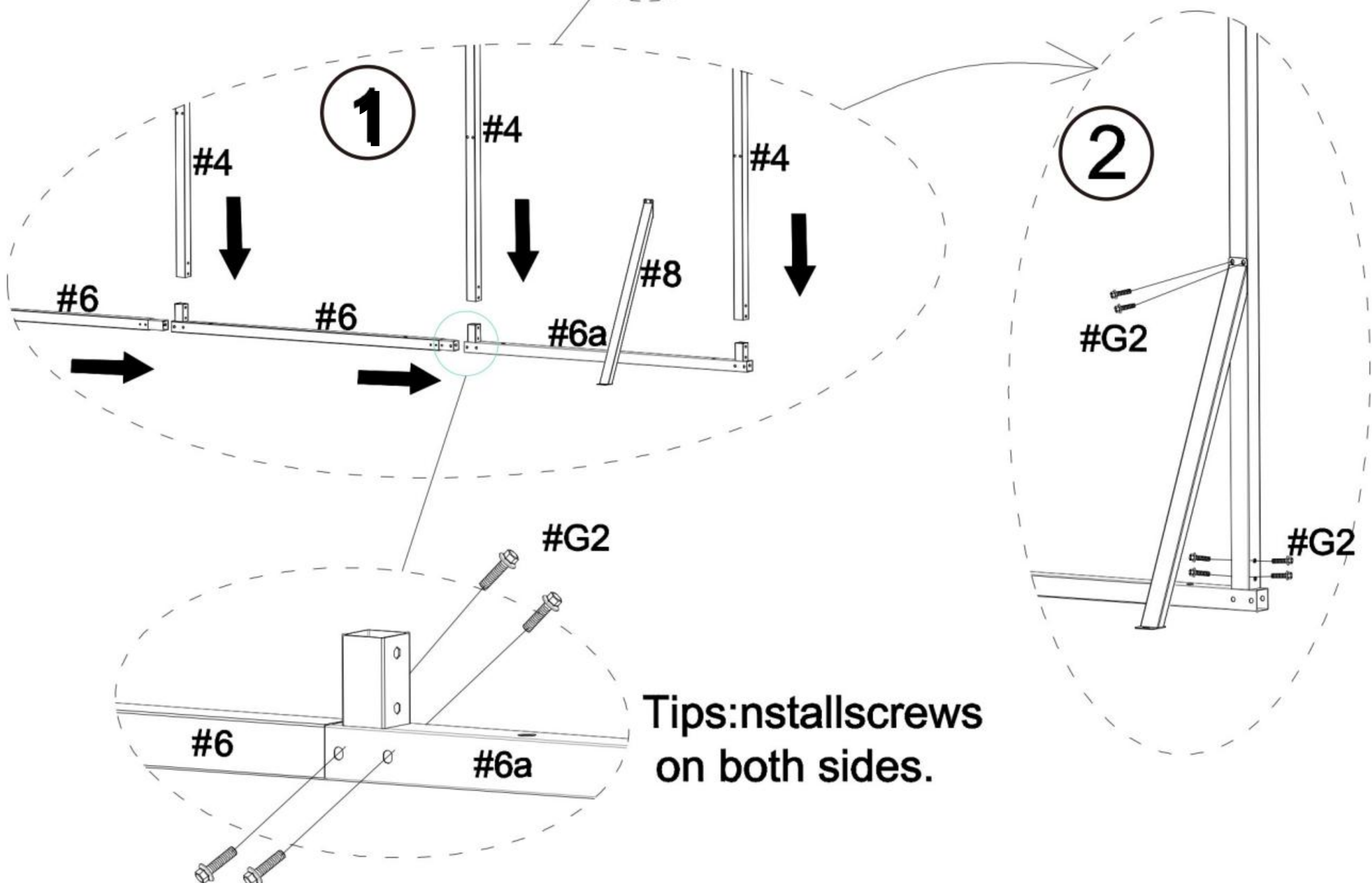
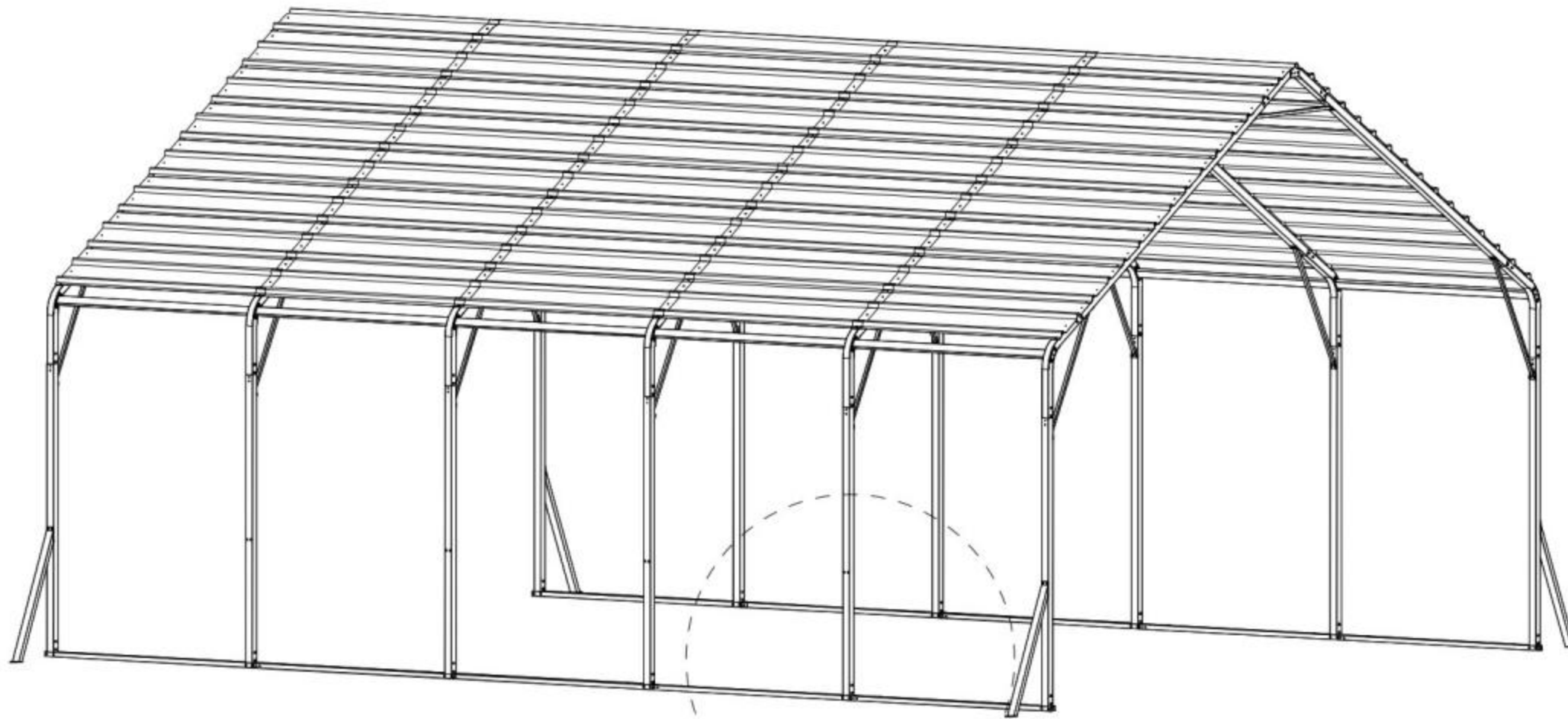
#4		X12
#5		X12
#G2		X96



## STEP 6: Reinforce the Frame



- 1) Connect all the Leg Pole(#4) to Ground bar 1(#6) and Ground bar 2(#6a)
- 2) The linking screws in this step are all: Hex Head Cap Bolt (#G2) and Expansion screws (#G3).

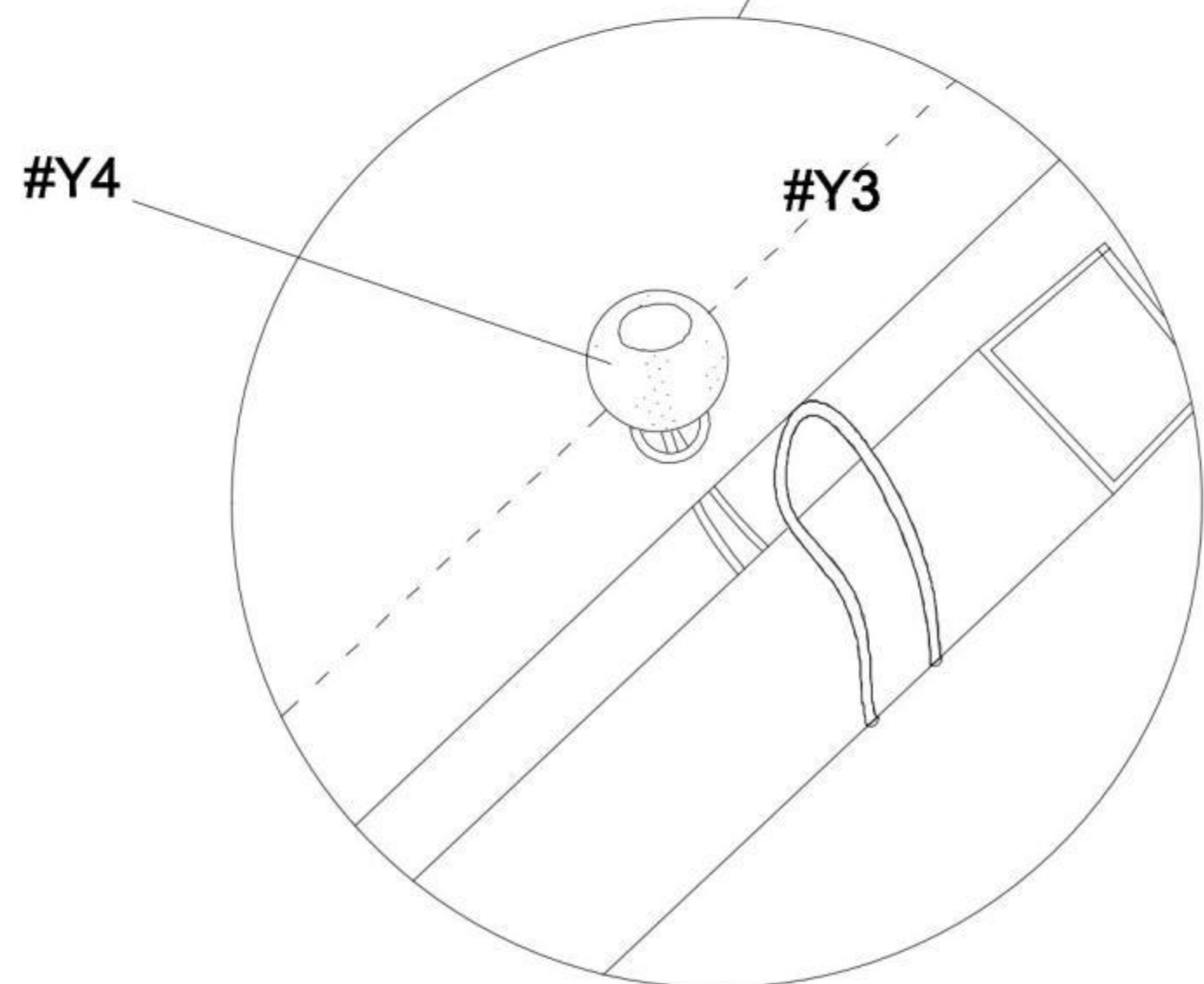
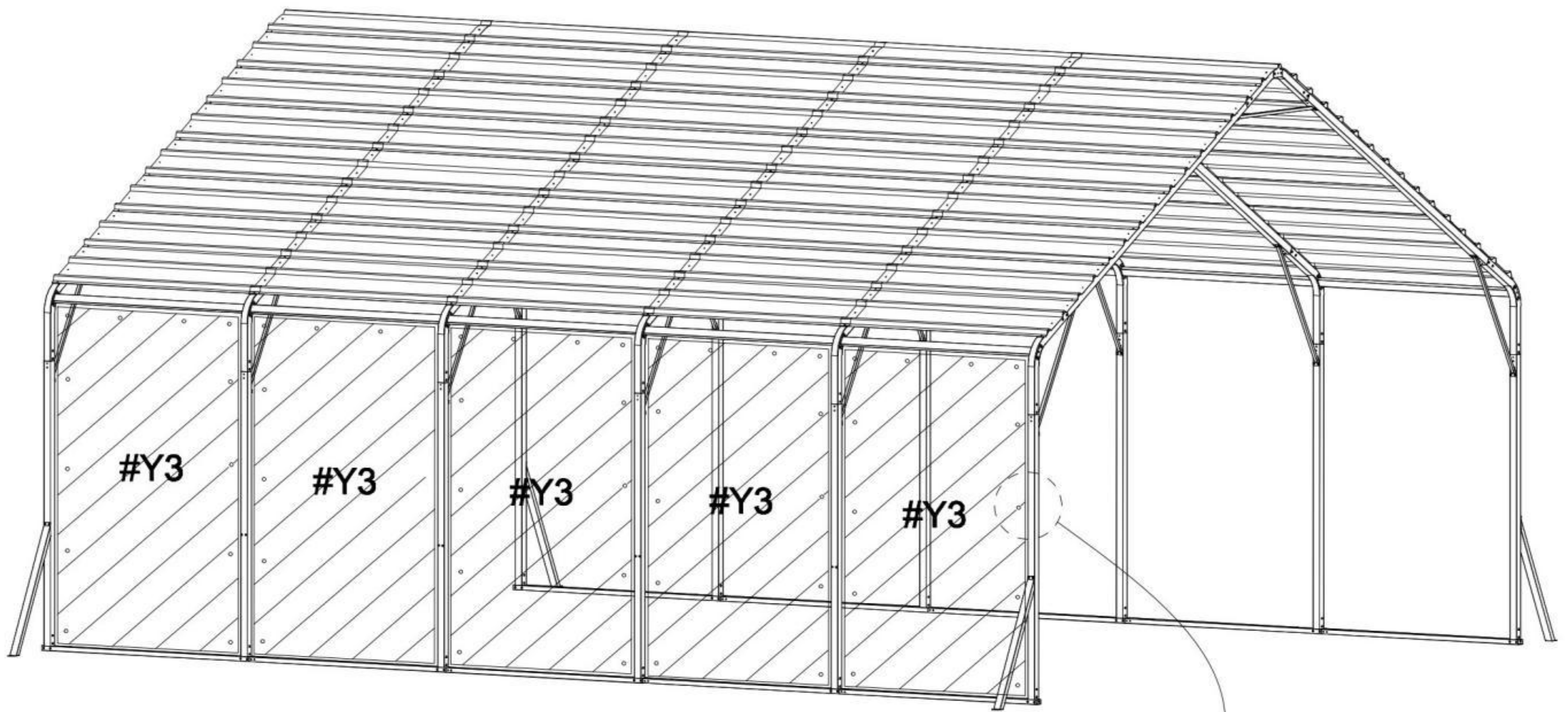
#6		X8
#6a		X2
#8		X4
#G2		X88



# STEP 7: Reinforce the Frame

Secure 5 wall cloths (#Y3) to the frame with rope beads (#Y4)




#Y3		X5
#Y4		X60

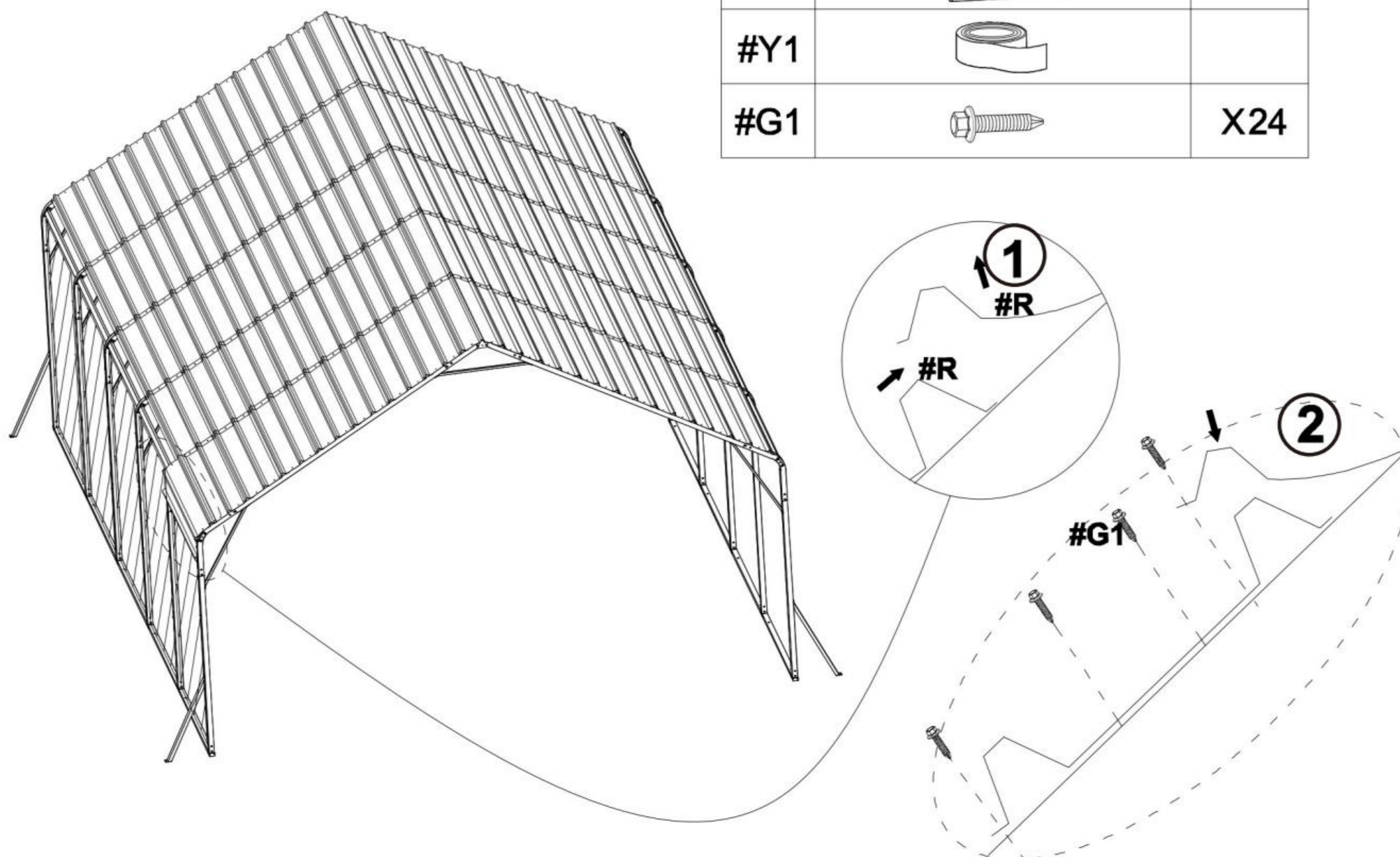


## STEP 8: Install the Side Roof

After installing the Leg Pole(#4), continue to install the Roof Cover (#R) in the 4 rows on the left and right sides.

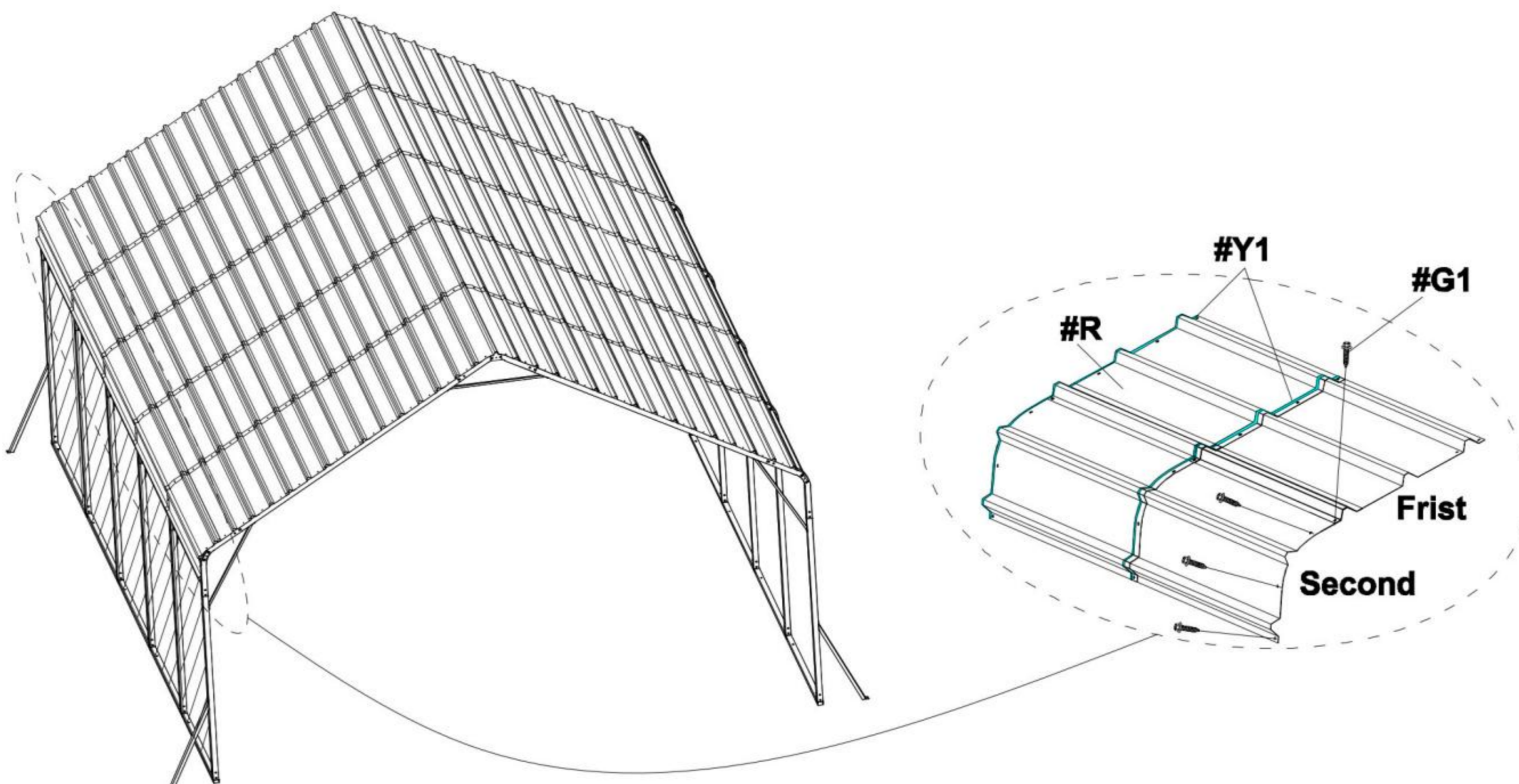
1) First install the Roof Cover (#R) in the left row, as shown in the picture.

#R		X5
#Y1		
#G1		X24

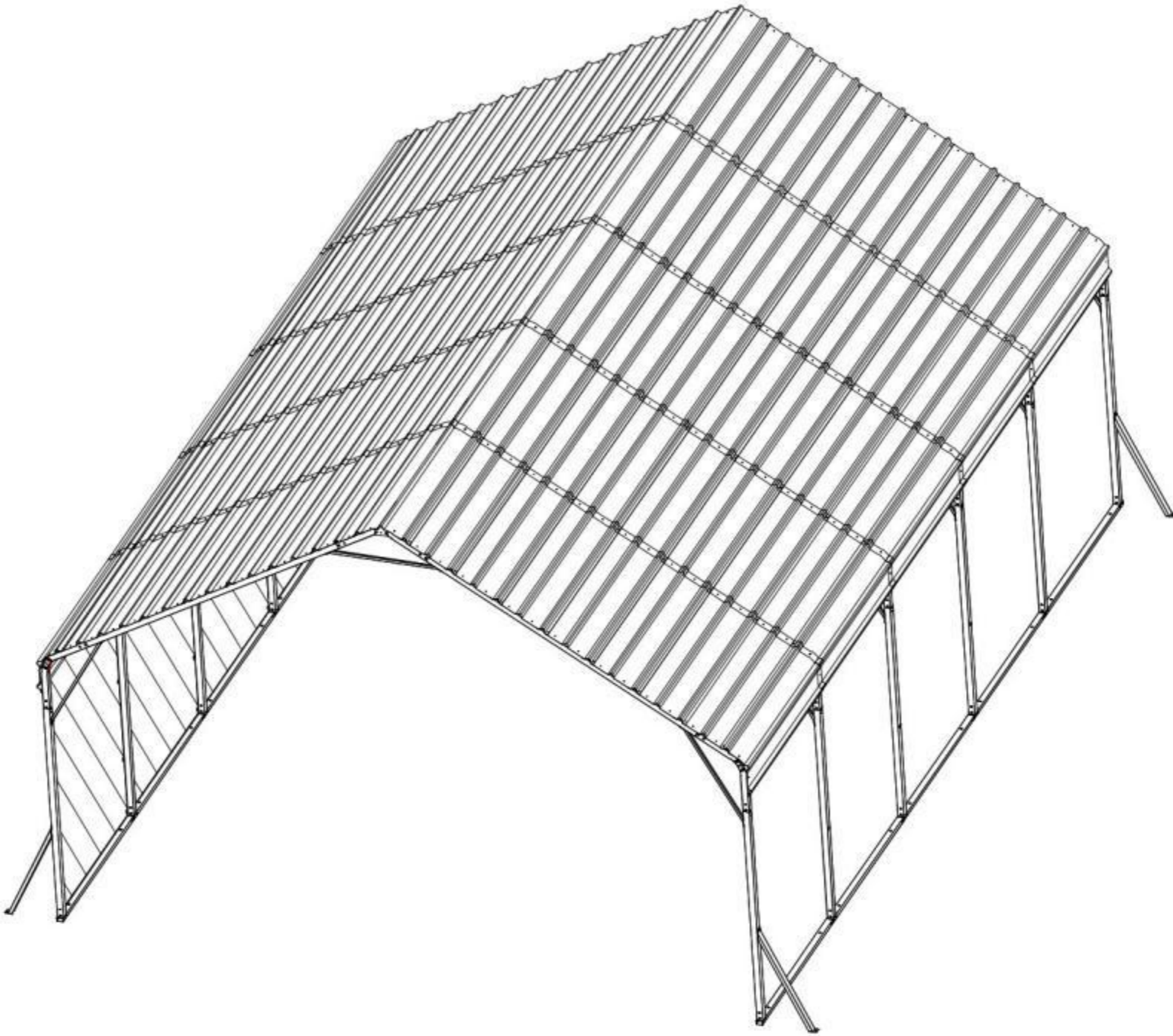




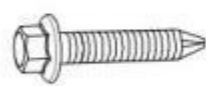

### Notice:

1. Make sure that the screw holes are aligned, and then press the Waterproof Tape (#Y1)
2. Make sure there are no gaps between the two roof covers to prevent water leakage
3. The second Roof Cover (#R) needs to be placed on the first Roof Cover (#R)



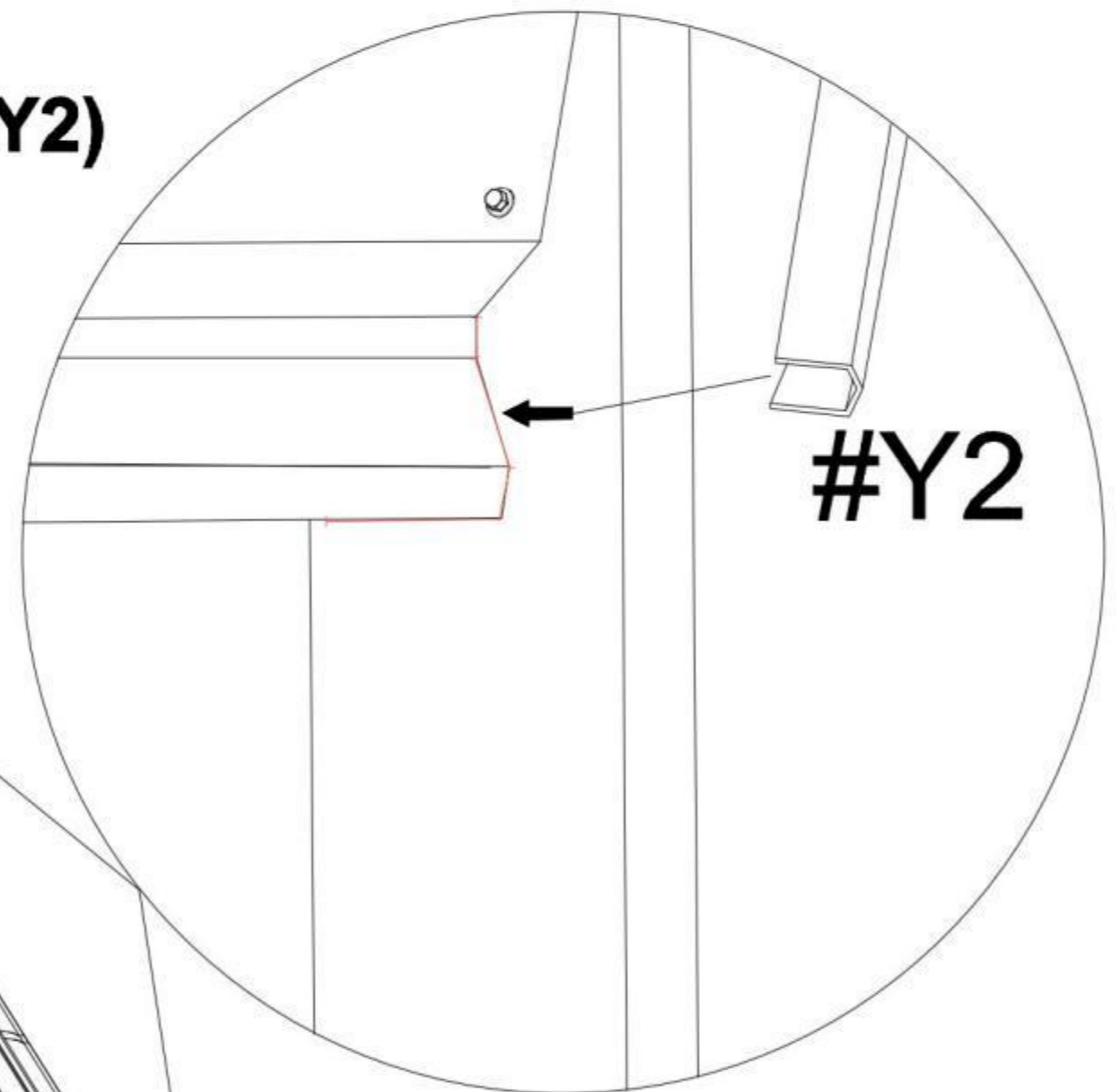
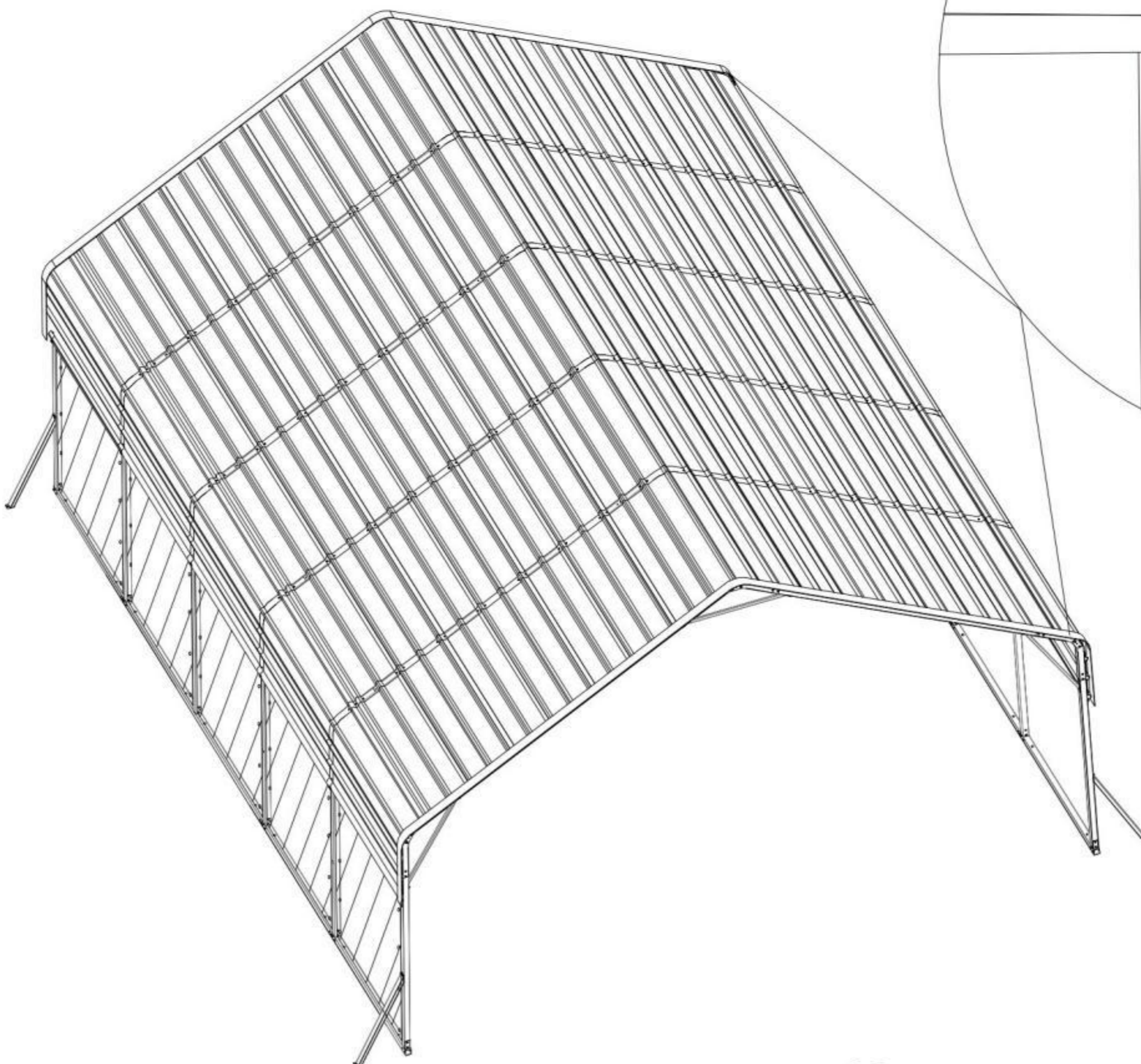
2) Follow the previous steps and continue to install the Roof Cover (#R) in the remaining 1 rows on the right.



#R		X5
#Y1		
#G1		X24
#Y2		

### STEP 9: Install the Anti-cut Tape (#Y2)

1) Wrap the Anti-cut Tape (#Y2) around the outer edge of the Roof Covers(#R).





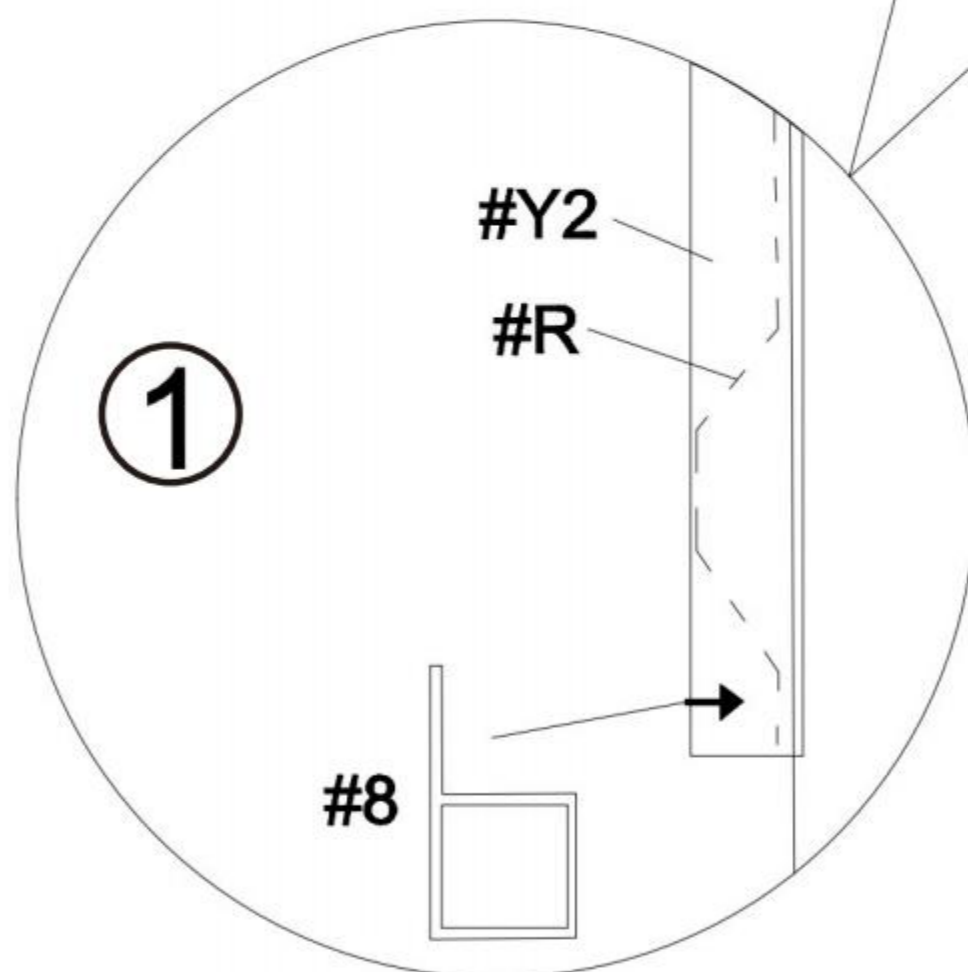
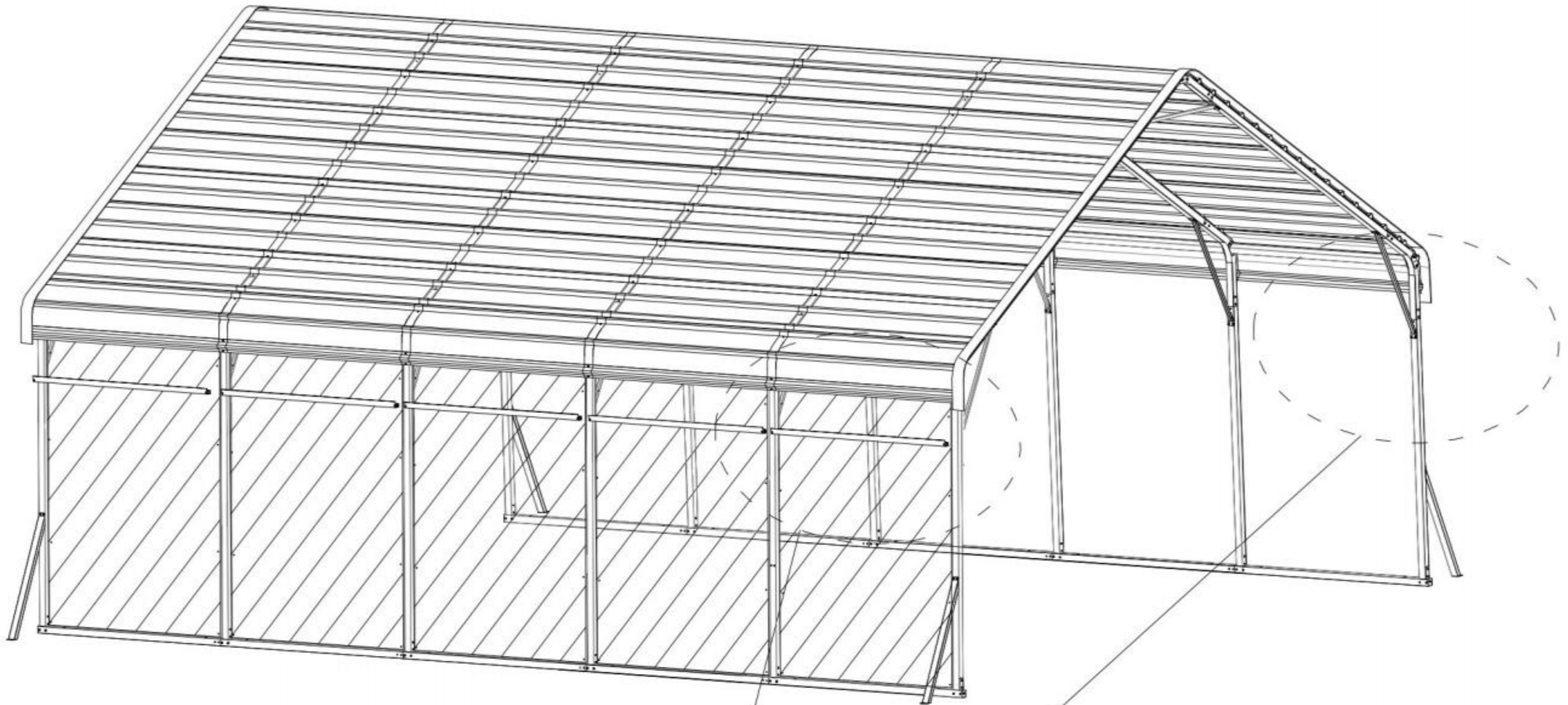
**Notice:**  
Be careful not to start from the 4 corners when wrapping the tape. Right angles are sharp and need to be avoided.

## STEP 10: Side-side defense pole

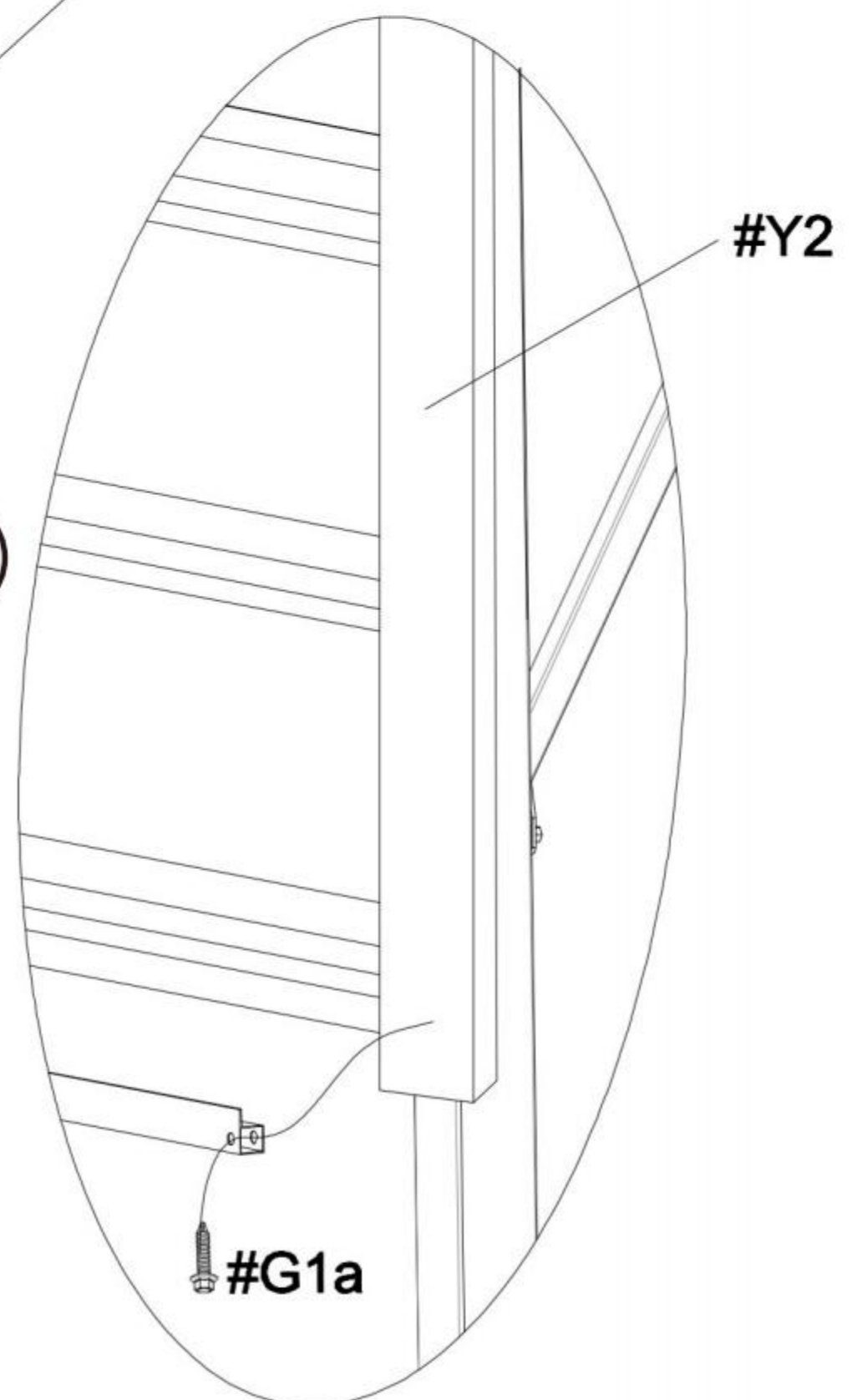
After installing I the Roof Cover (#R).on the left and right sides.

1) Install the Side-side defense pole(#9) in the left and right row, as shown in the picture.

#9		X10
#G1a		X20



②



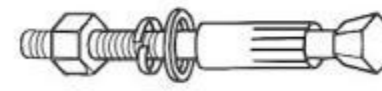
# STEP 11 : Anchor the Carport

Install the Anchor the Carport on the ground.

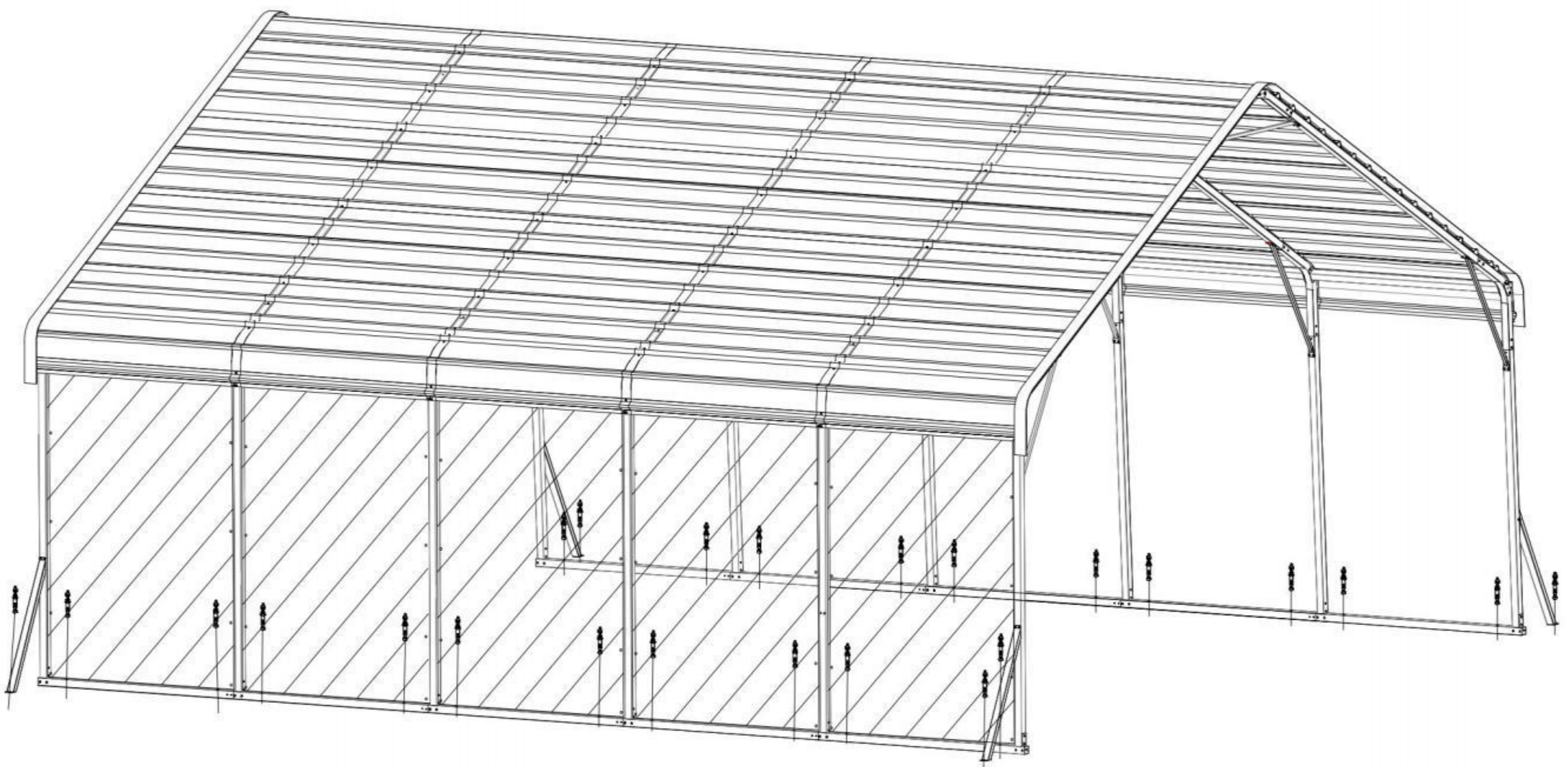
Notice:

The linking screws in this step are all: Expansion screws

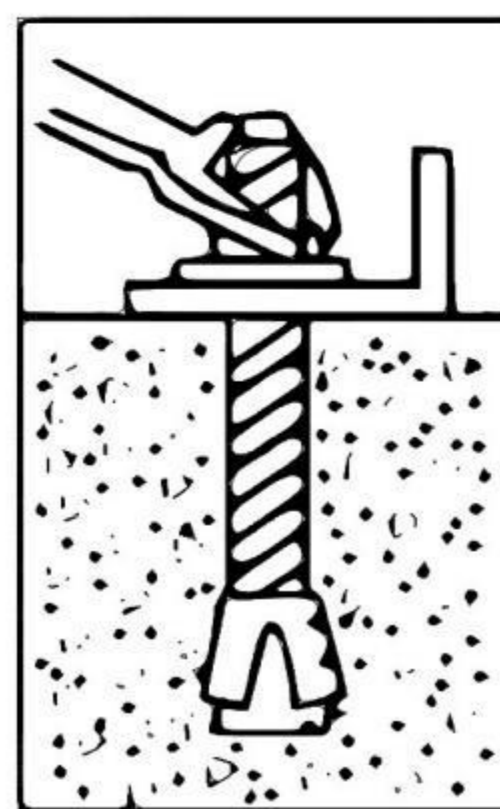
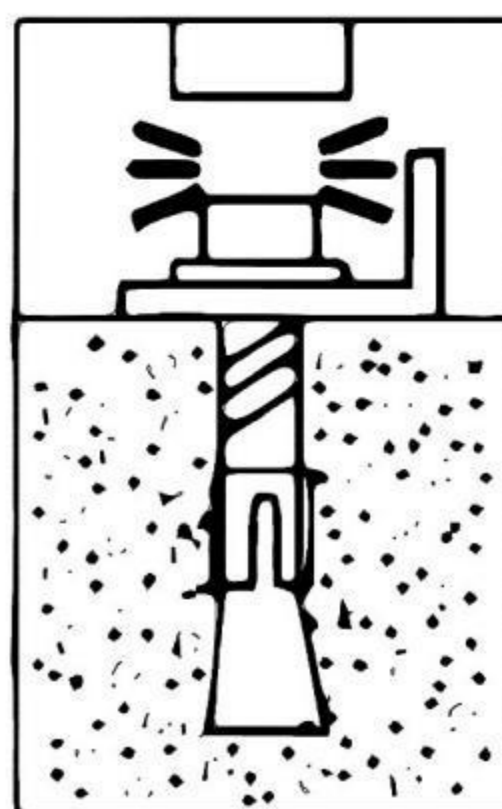
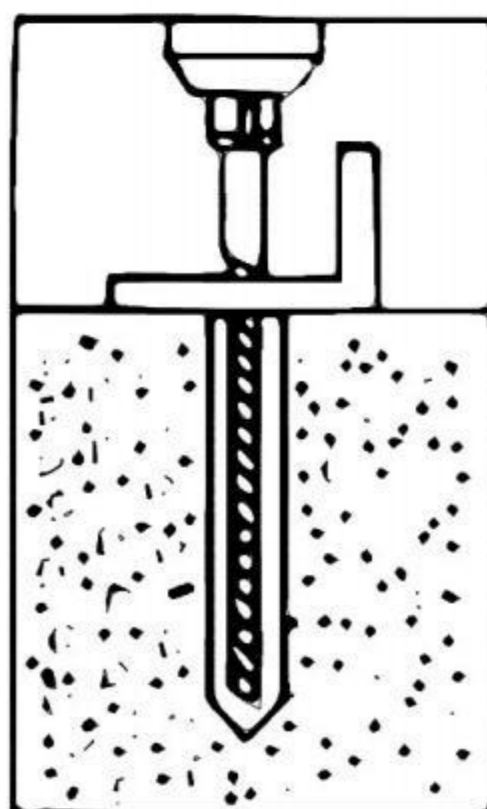
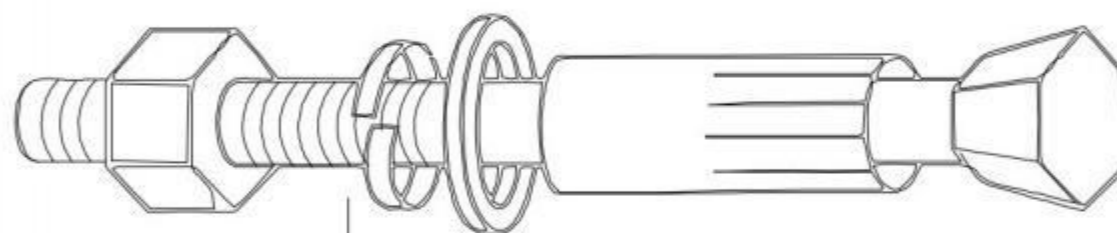
#G3



X24



# #G3





**Techniczny Wsparcie | E - Gwarancja**  
**Certyfikat [www.vevor.com / support](http://www.vevor.com/support)**

# VEVOR

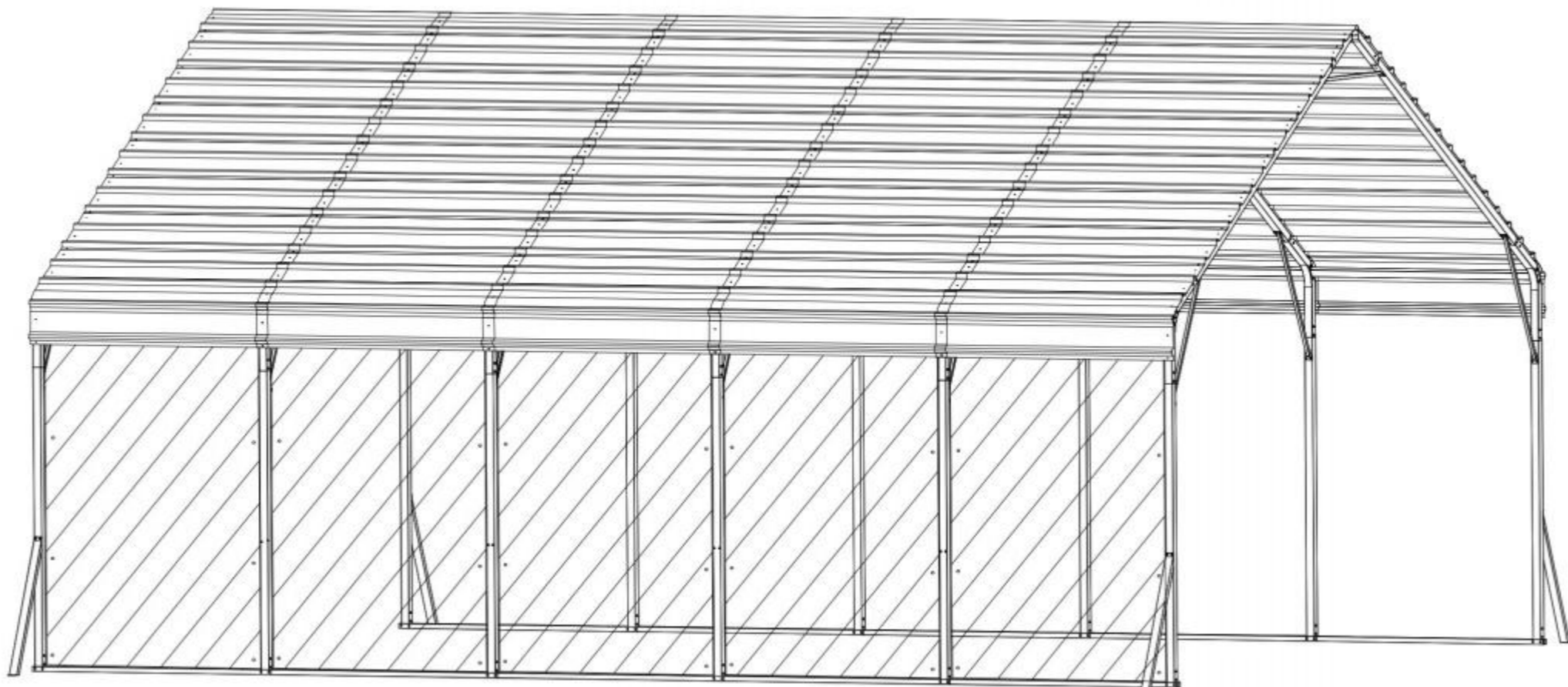
Conveniente. Affidabile. **I**Miglioramento  
della casa .

Pesante Posti auto coperti  
Modello: KD-TPQC-007-20x24 piedi

**Technical Support and E-Warranty Certificate**  
[www.vevor.com/support](http://www.vevor.com/support)

# CARPORT INSTALLATION INSTRUCTION

Modello : KD - TPQC -007-20x24 piedi



Questo È IL originale istruzione , Per favore Leggere Tutto manuale istruzioni accuratamente Prima operativo . VEVOR riserve UN chiaro interpretazione Di Nostro utente manuale . Il aspetto Di IL prodotto deve Essere soggetto A IL prodotto Voi ricevuto . Per favore perdonare noi Quello Noi non informare Voi di nuovo se Là Sono Qualunque tecnologia O software Aggiornamenti SU Nostro prodotto .

***IMPORTANT! PLEASE READ THIS INSTRUCTION CAREFULLY BEFORE INSTALLATION.***

1. Have at least two adults during installation. Read all instructions carefully and follow it accordingly. Failure to do so may result to injury or damage to the carport.
2. Never set-up the product in rainy, windy or stormy conditions, especially lightning storms.
3. Keep your carport off of the steep slopes and inclination.
4. After installation ,the carport should be anchored to prevent damage and possible injury. It is the user`s responsibility to properly anchor the product.
5. Always inspect the carport and each part before use. Make sure that everything is tightly secured. Replace any worn, defective missing parts.
6. For a better installation and use experience, it is recommended to bring your own ladder, scissors, electric drill and glass glue.

## SICUREZZA ISTRUZIONI

### AVVERTIMENTO :

Leggi questo materiale Prima usando questo prodotto. La mancata osservanza di tale disposizione può risultare in modo serio infortunio.

### Precauzioni di montaggio

1. Assemblare soltanto secondo A questi istruzioni . Improprio l'assemblaggio può creare pericoli.
2. Indossare ANSI - approvato sicurezza occhiali E pesante - servizio lavoro guanti durante assemblaggio .
3. Mantenere IL assemblaggio zona pulito E ben illuminato .
4. Mantenere astanti fuori Di IL zona durante assemblaggio .
5. Fare non assemblare Se Stanco O Quando Sotto IL influenza Di alcol , droghe O farmaco .
6. Il prodotto capacità fare domanda a A correttamente E completamente solo prodotti assemblati.
7. Assemblare SU UN piatto , livellato , duro E liscio superficie capace Di sostenere in modo sicuro il legno Attaccapanni.
8. Per aggiuntivo informazioni per quanto riguarda IL parti elencato In IL pagine seguenti, Per favore fare riferimento al Assemblea Diagramma di questo manuale. Scartare e separare tutti parti in un lavoro pulito zona.

### Utilizzo precauzioni

1. FARE NON SEDERSI O STARE IN PIEDI SU QUESTO ARTICOLO.
2. Questo prodotto È non è un giocattolo. Fare non permettere ai bambini di giocare con o vicino Questo articolo.
3. Fare non superare specificato peso capacità .
4. Utilizzare soltanto SU UN piatto , livello , duro , e liscio superficie Quello Potere supportare in modo sicuro UN completamente caricato Di legno Sala Albero .
5. Utilizzare come solo intenzionale.
6. Ispezionare prima di ogni usare; fare non utilizzo se le parti sono allentate O danneggiato.

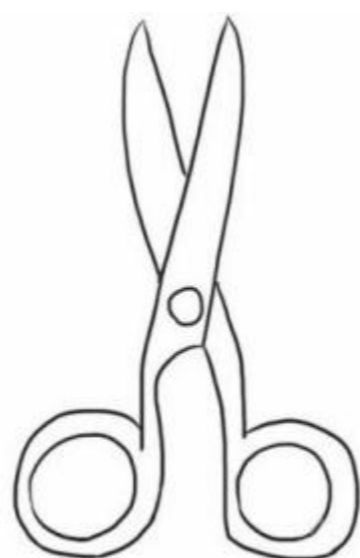
**SALVA QUESTO MANUALE**

**IMPORTANTE! PER FAVORE LEGGI QUESTO ISTRUZIONE CON ATTENZIONE PRIMA INSTALLAZIONE.**

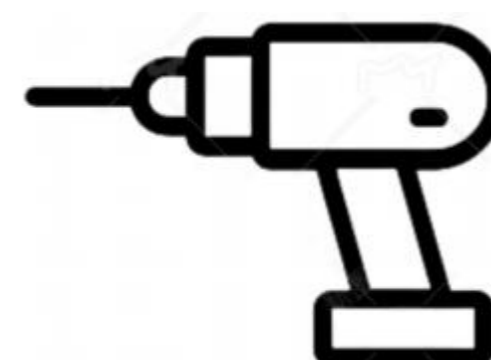
1. Installazione richiede a almeno due adulti. Leggi tutto istruzioni per la cura- completamente e seguire di conseguenza. In caso contrario Maggio risultato In in caso di infortunio o danno A IL posto auto coperto .
2. Non impostare mai su il prodotto In condizioni di pioggia, vento o tempesta , es- in particolare l'illuminazione tempesta s.
3. Tieni il tuo posto auto coperto lontano dai pendii ripidi e inclinazione.
4. Dopo l'installazione, il posto auto coperto dovrebbe essere ancorato A impedire danno e possibile infortunio. Esso è il dell'utente responsabilità di correttamente ancorare il prodotto.
5. Sempre ispezionare il posto auto coperto e ciascuno parte prima dell'uso . Fare Sicuro che tutto sia ben fissato. Sostituisci quelli usurati, difettoso mancante parti.
6. Per un migliore esperienza di installazione e utilizzo, Esso È raccomandato A porta la tua scala, forbici, elettricità trapano E bicchiere colla.



Scala













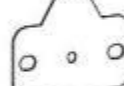
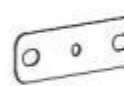
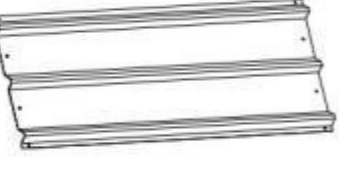



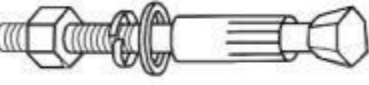

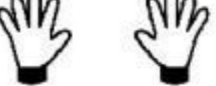




Forbici







Trapano elettrico

# PACKAGE CONTENTS

This carport is packed in 5 boxes. Before the installation, please check all the parts according to the part list. If there is any part missing or defective, please contact us immediately to get replacement parts.

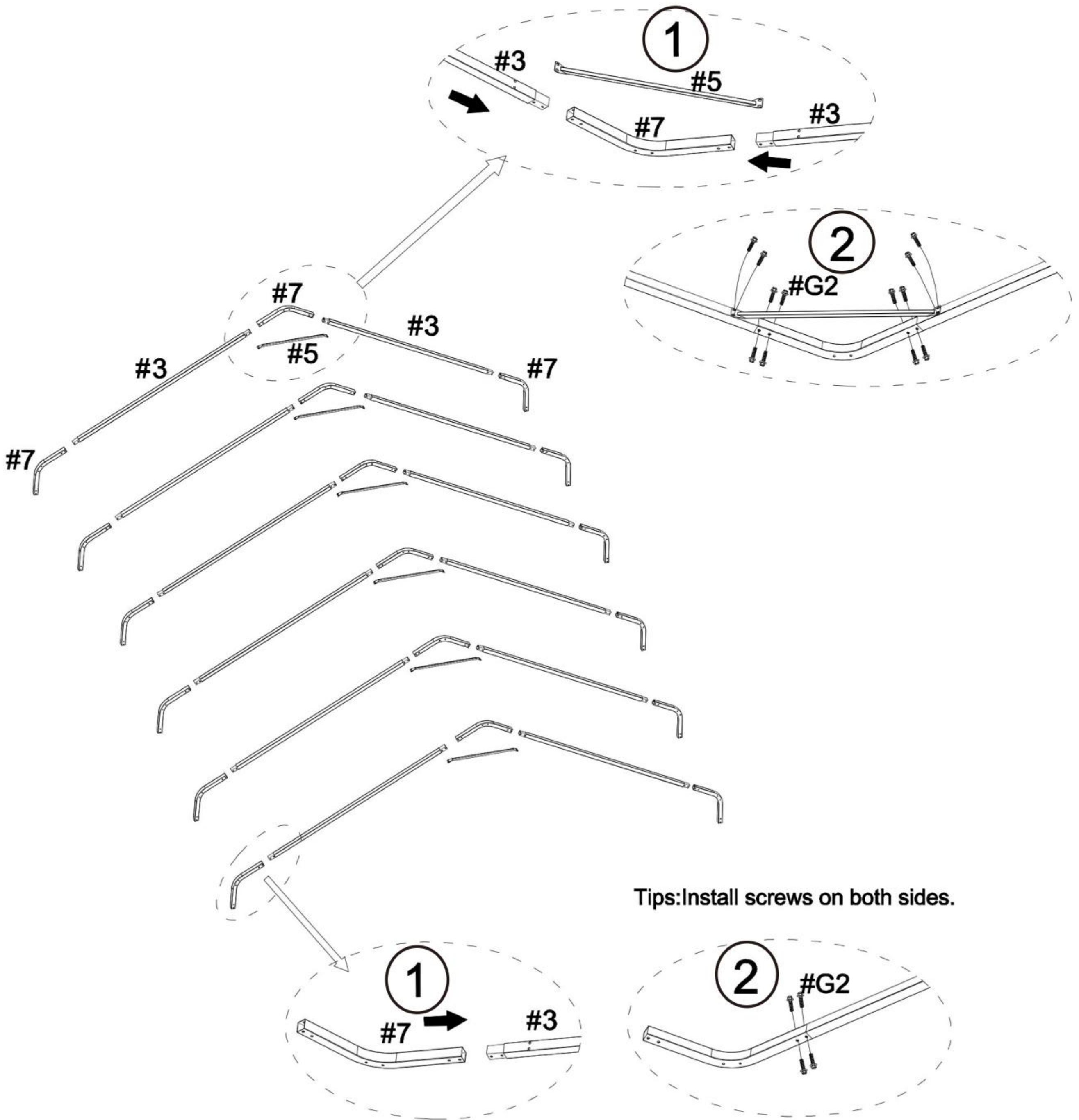
<b>Part No.</b>	<b>Part Name</b>	<b>Drawing</b>	<b>Qty</b>
#1	Side pole 1		10PCS
#2	Side pole 2		5 PCS
#3	Straight peak pole		12 PCS
#4	Leg pole		12 PCS
#5	Top Reinforcing pole		18 PCS
#6	Ground bar 1		8 PCS
#6a	Ground bar 2		2 PCS
#7	Connector		18 PCS
#8	Ground Reinforcing pole		4 PCS
#9	Side-side defense pole		10 PCS
#10	Side plate 1		3 PCS
#11	Side plate 2		4 PCS
#R	Roof cover		85 PCS
#G1	M5X20 Self-Tapping screws		322PCS
#G1a	M5X25 Self-Tapping screws		24 PCS
#G2	Socket head bolt		314 PCS
#G3	Expansion screws		26 PCS
#G4	Socket head bolt & Nut		38 PCS
#L	Gloves		2 pairs
#Y1	Waterproof tape		8 PCS
#Y2	Anti-cut tape		20 M
#Y3	Enclosure		5 PCS
#Y4	Beads of rope		60PCS

# STEP 1: Assemble the Top Frame




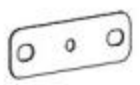

#3		X12
#5		X6
#7		X18
#G2		X120

**Notice:**

The linking screws in this step are all: Socket Head Bolt (#G2)

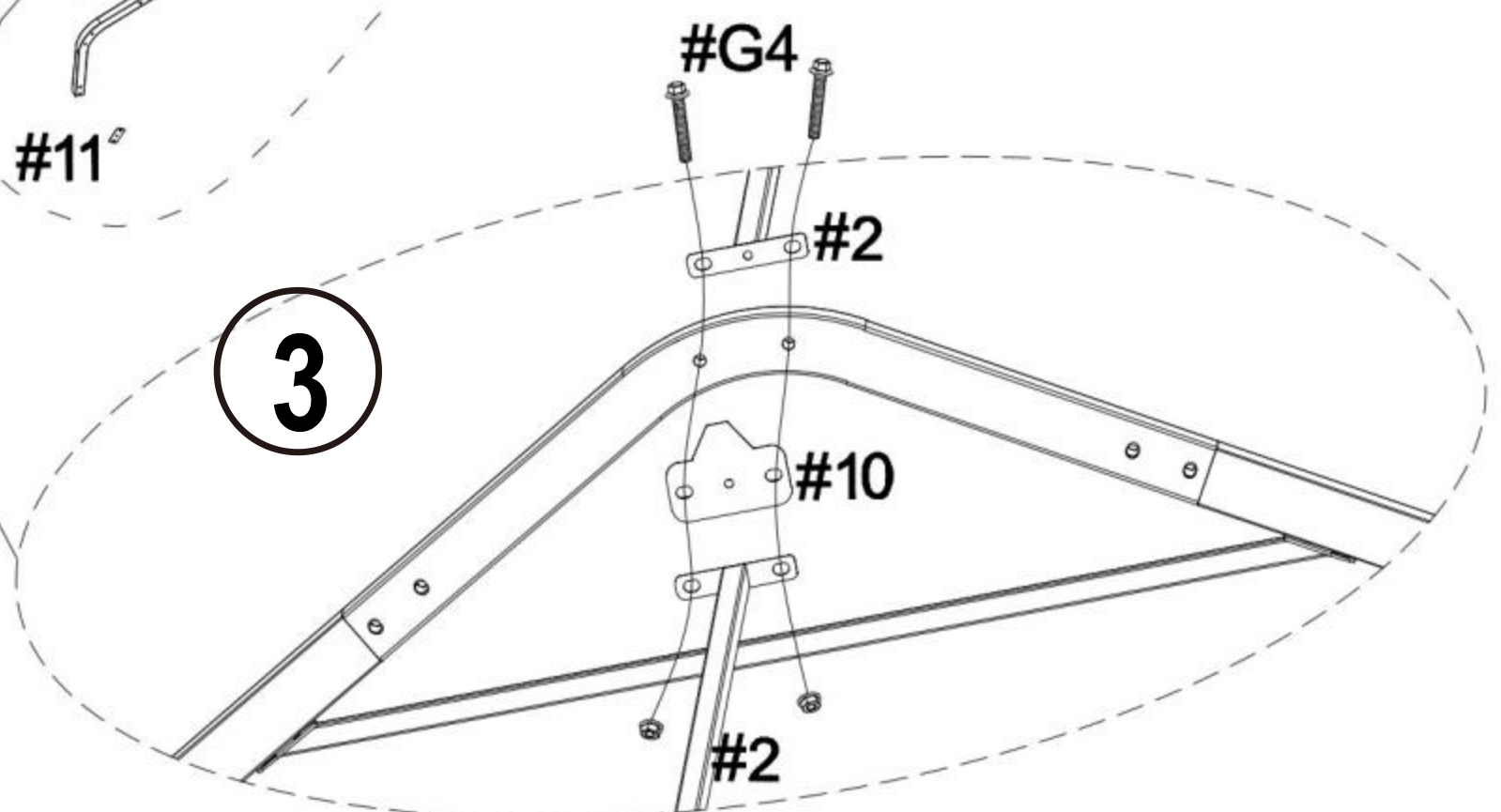
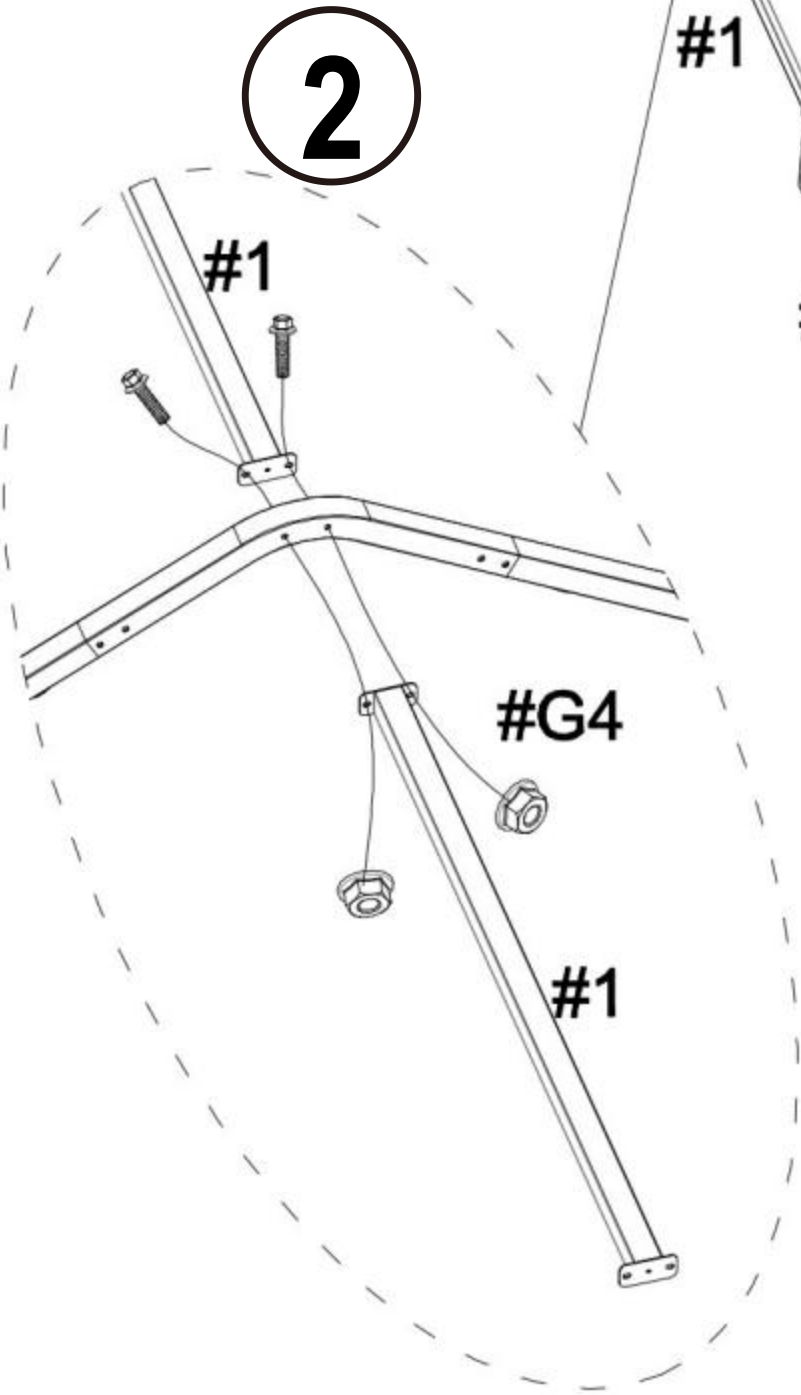
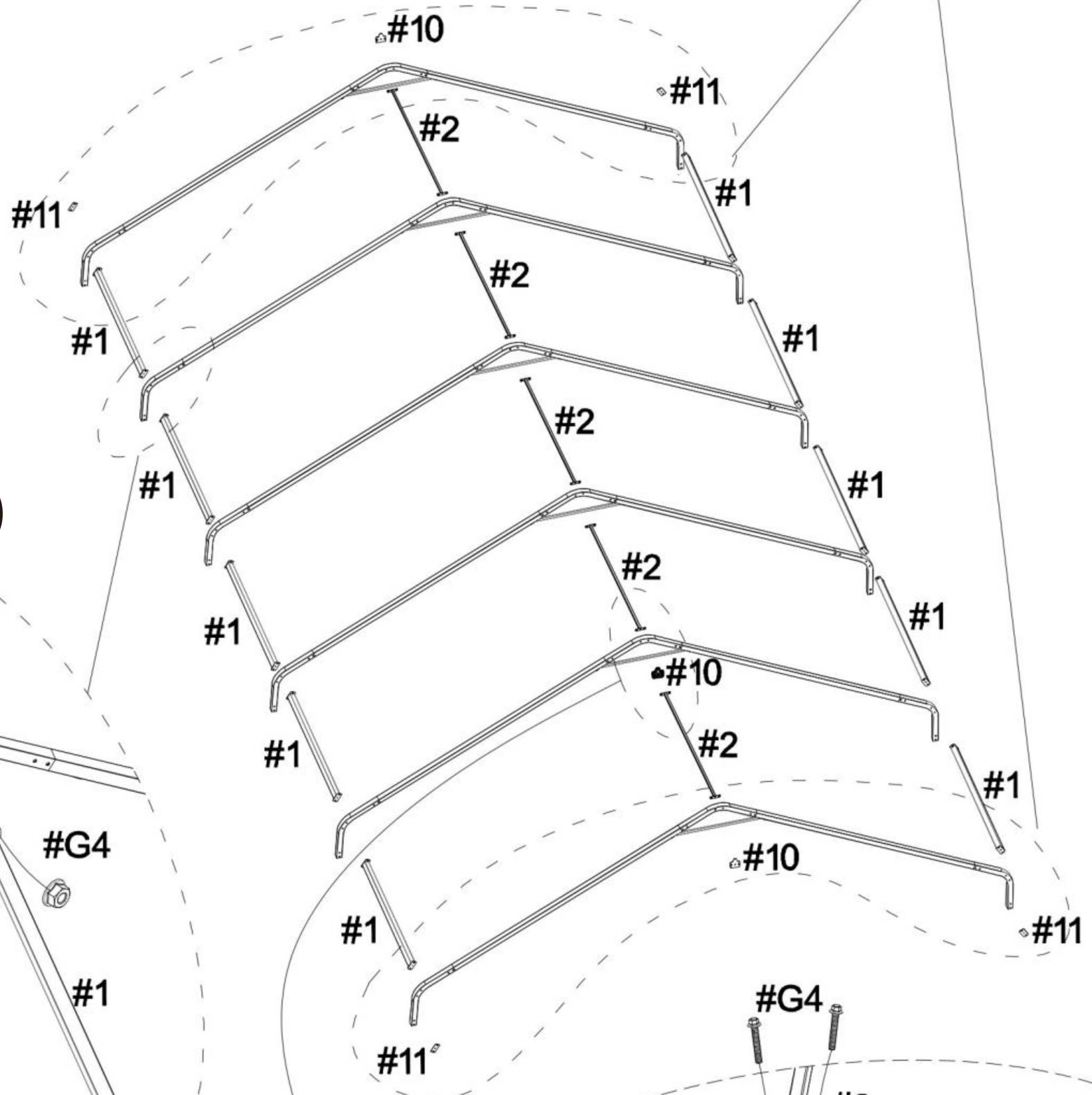
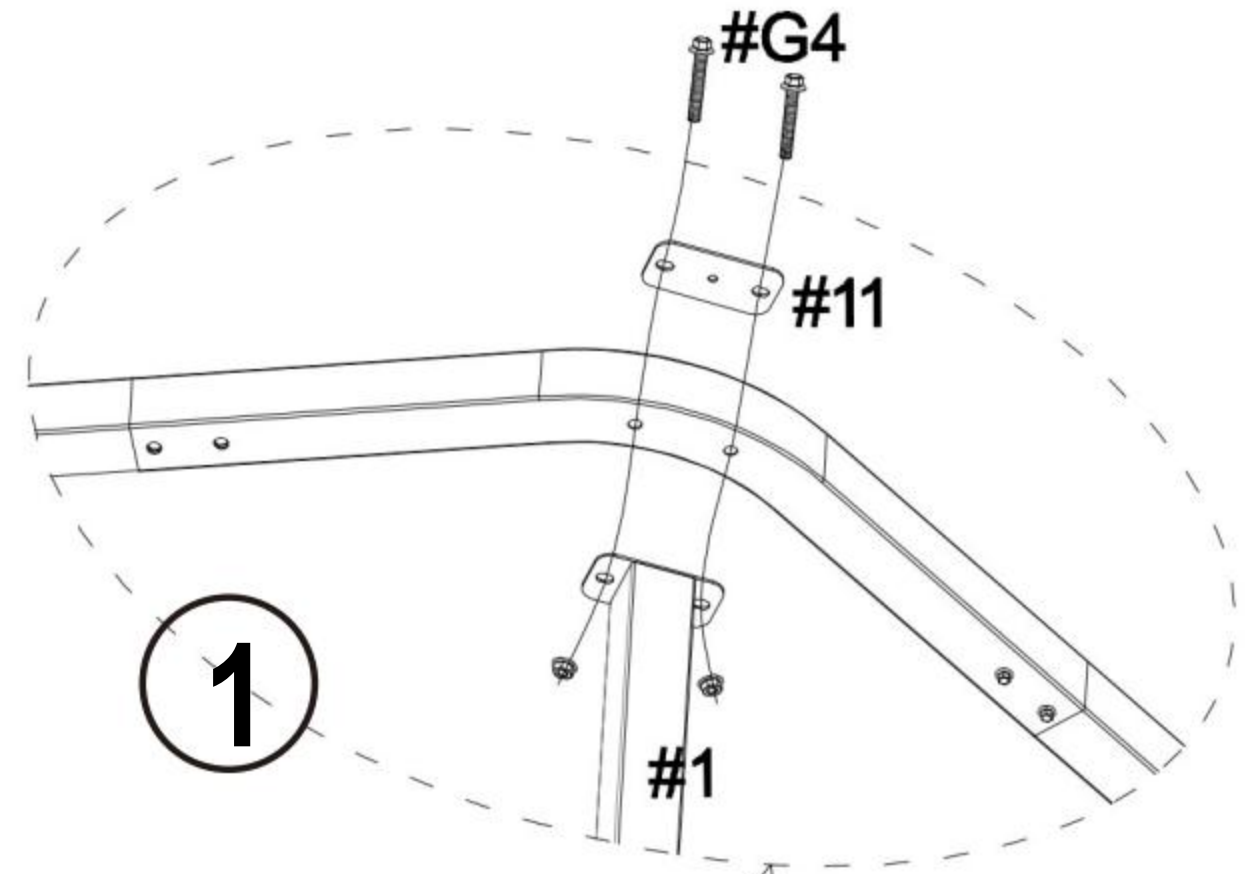


# STEP 2:

#1		X10
#2		X5
#10		X3
#11		X4
#G4		X36

**Notice:**

The linking screws in this step are all: Socket Head Bolt (#G4)



## STEP 3: Install the Top Roof

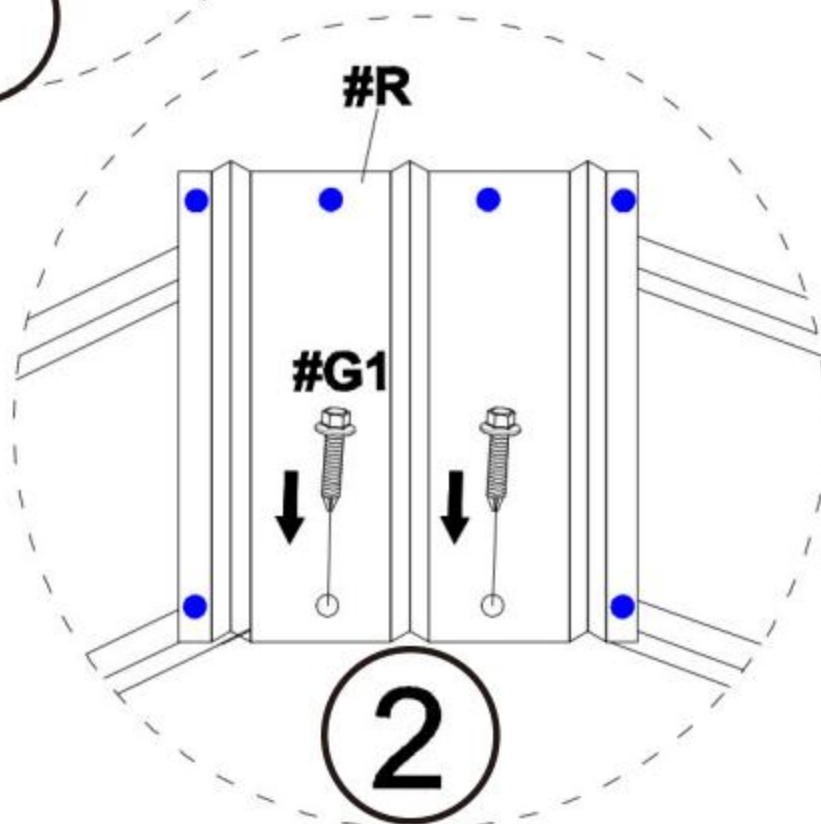
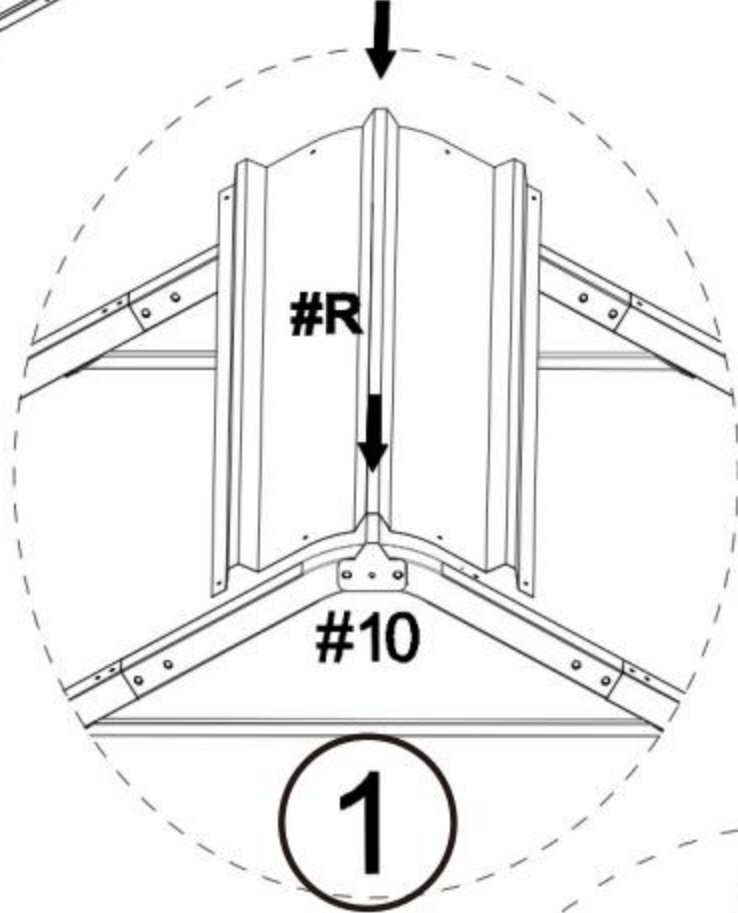
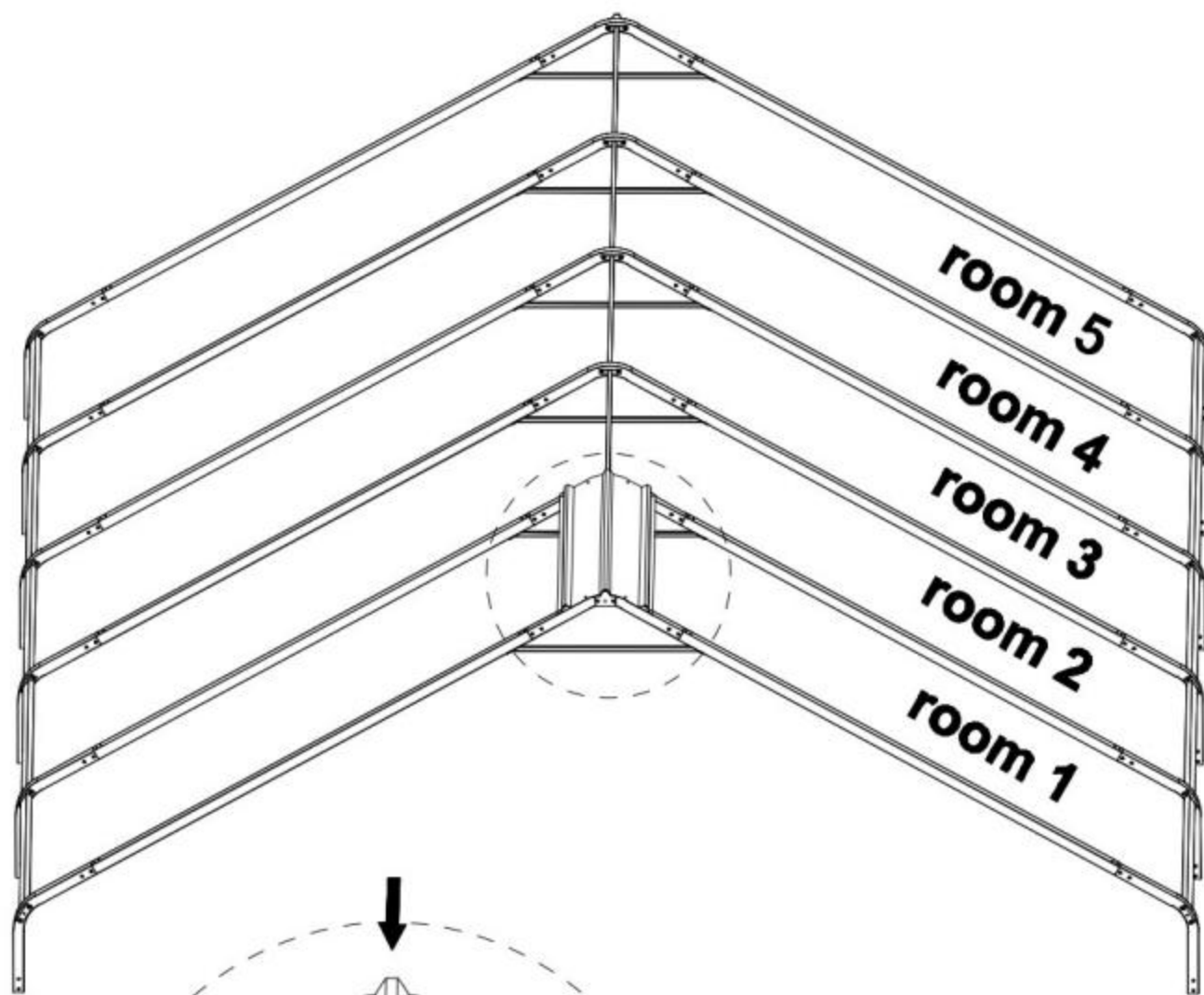
Install all the Roof Cover (#R) to the top frame. The linking screws in this step are all: Self-Tapping Screws (#G1), as shown in the picture.

Notice:




1. The meaning of different colored holes in the Roof Cover (#R);

- Blue hole: no screws here right now.
- Black hole: nonal installation

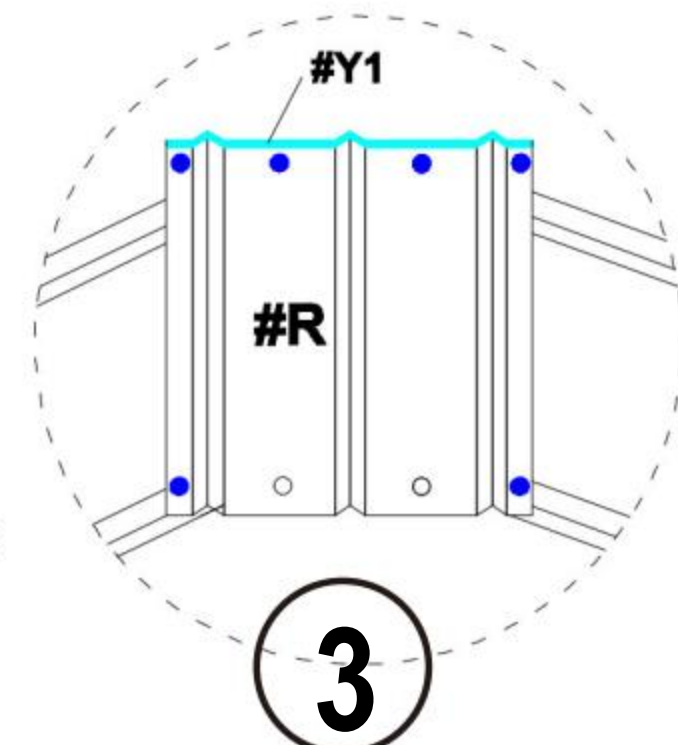
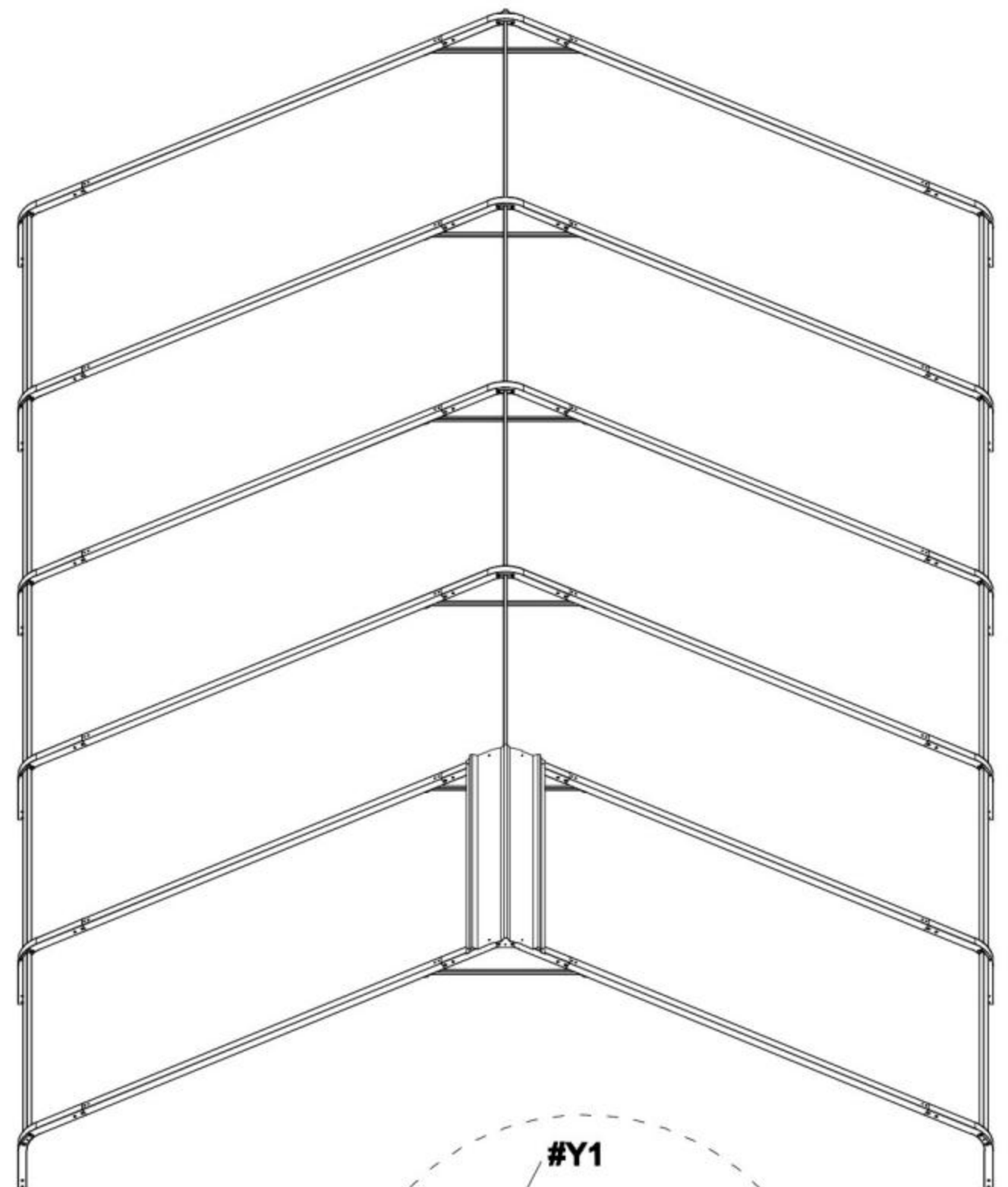
1) Starting from the top middle of room 1 to room 5, install the first row of Roof Covers (#R).



When installing the first piece of roof covering, place the middle slot of the tile at the gasket #10 bump for easy reinforcement with screws

#R		X1
#Y1		X8
#G1		X2




2) When installing each Roof Cover (#R), you need to use Waterproof Tape (#Y1) as shown in the picture.



# STEP 4:

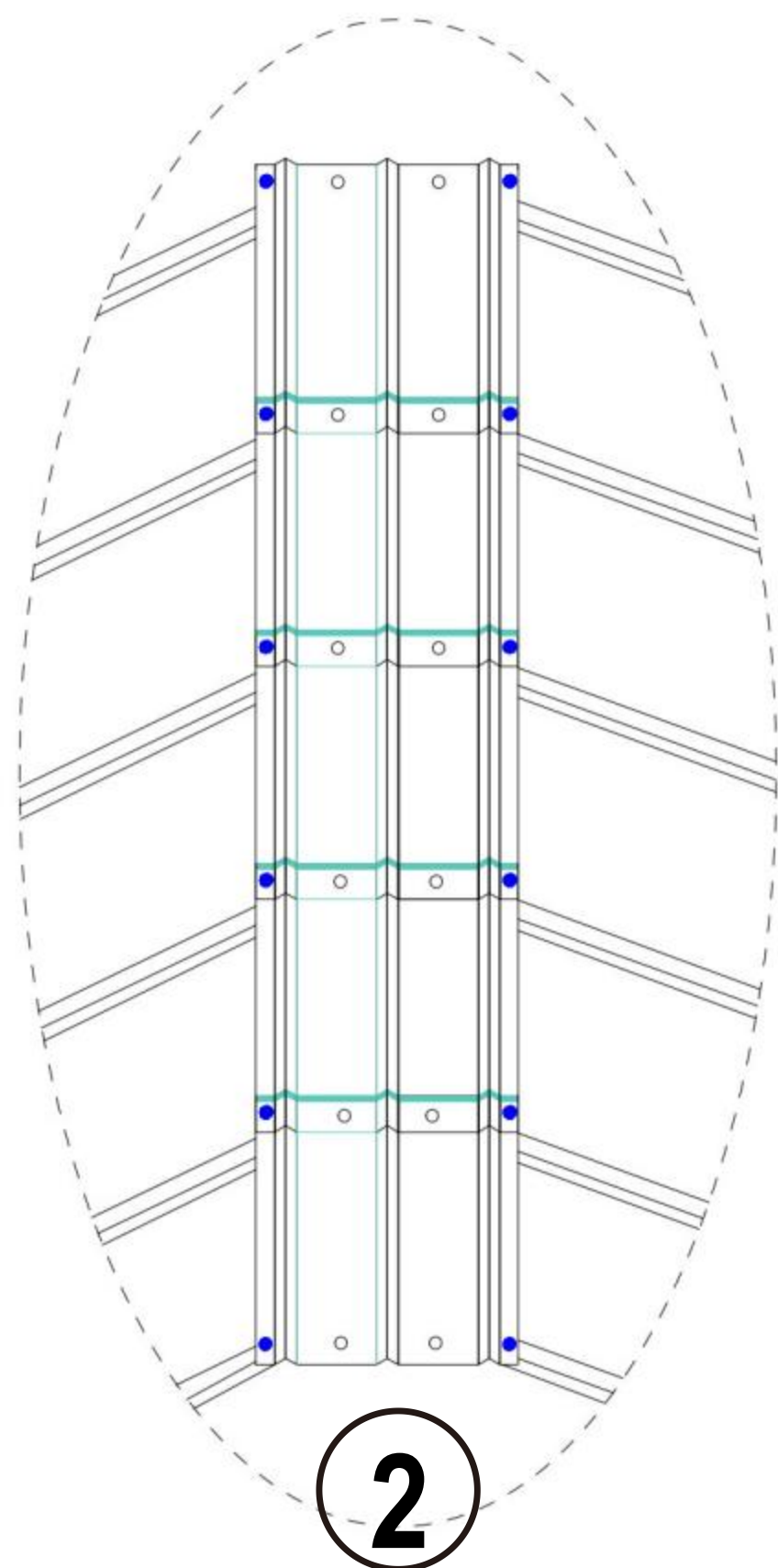
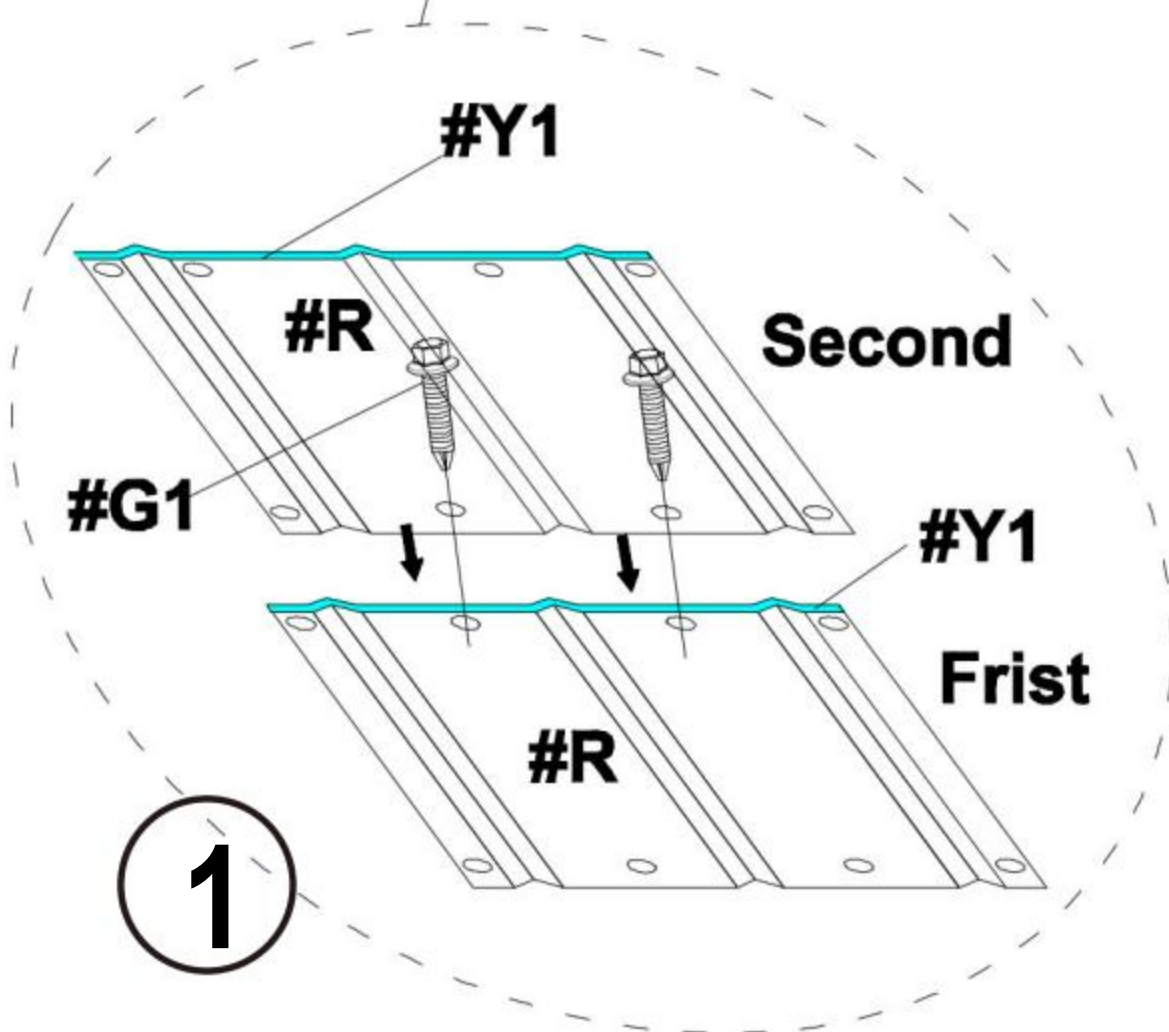
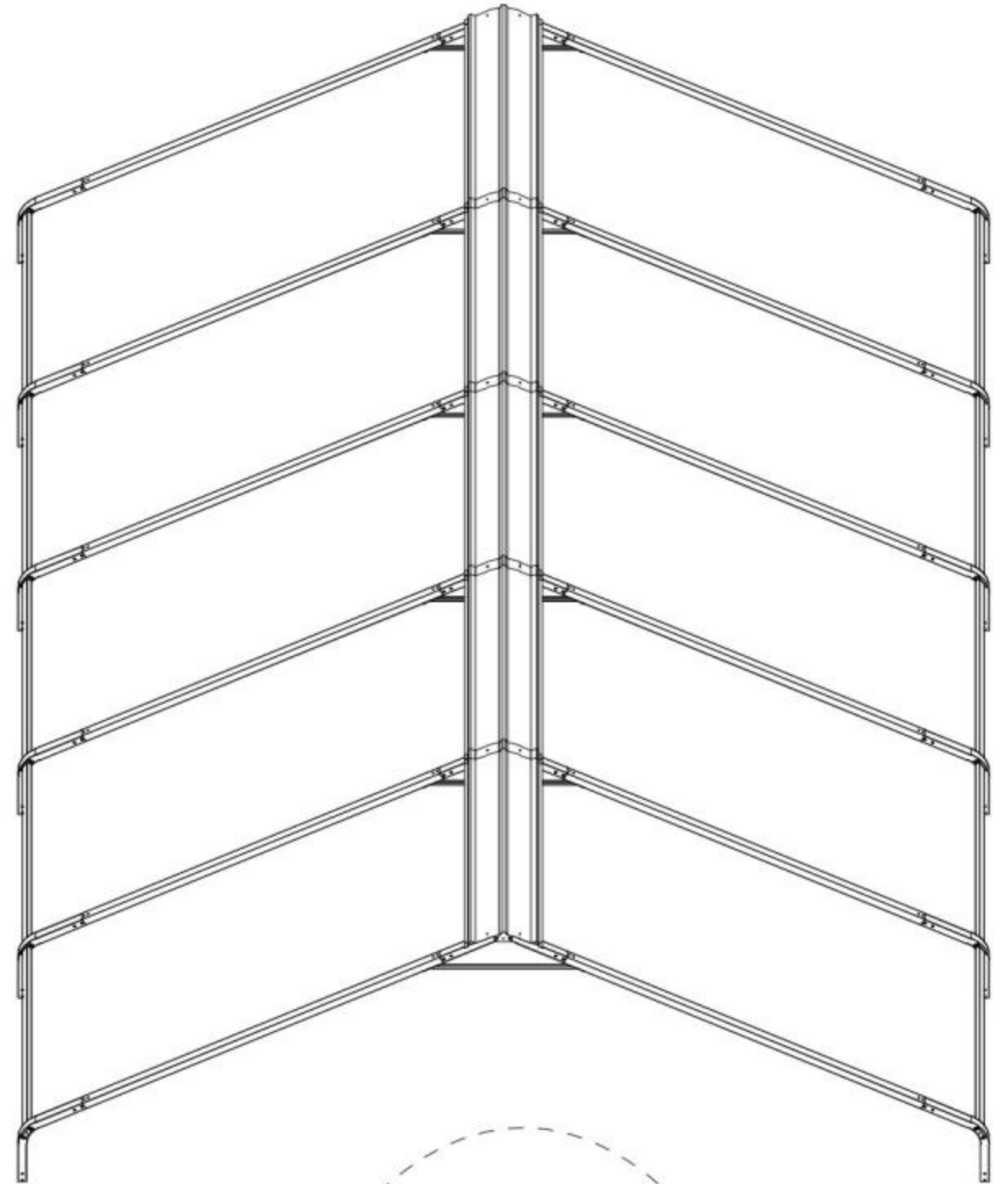
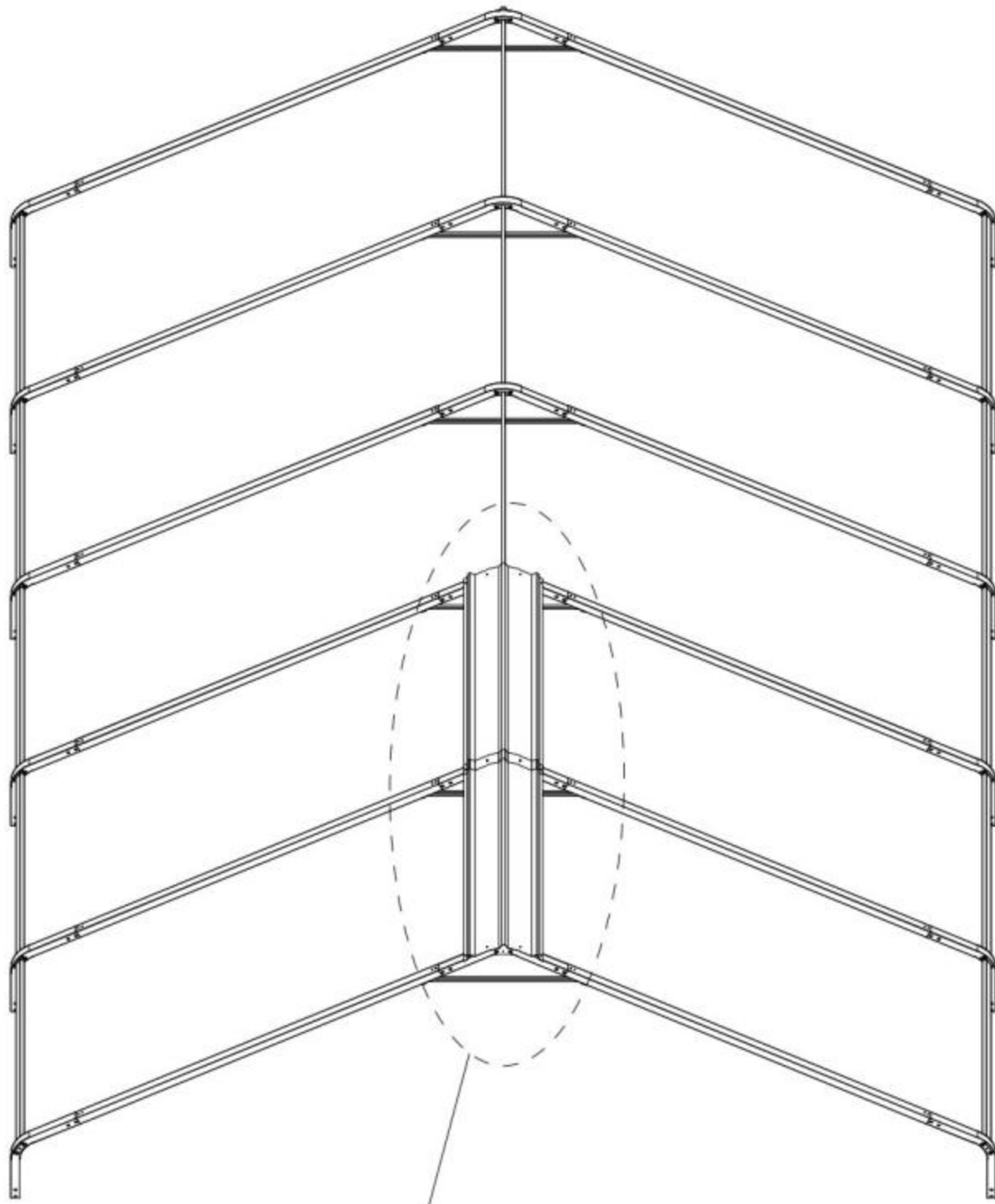
## Notice:

1. Make sure that the screw holes are aligned, and then press the Waterproof Tape (#Y1)
2. Make sure there are no gaps between the two roof covers to prevent water leakage

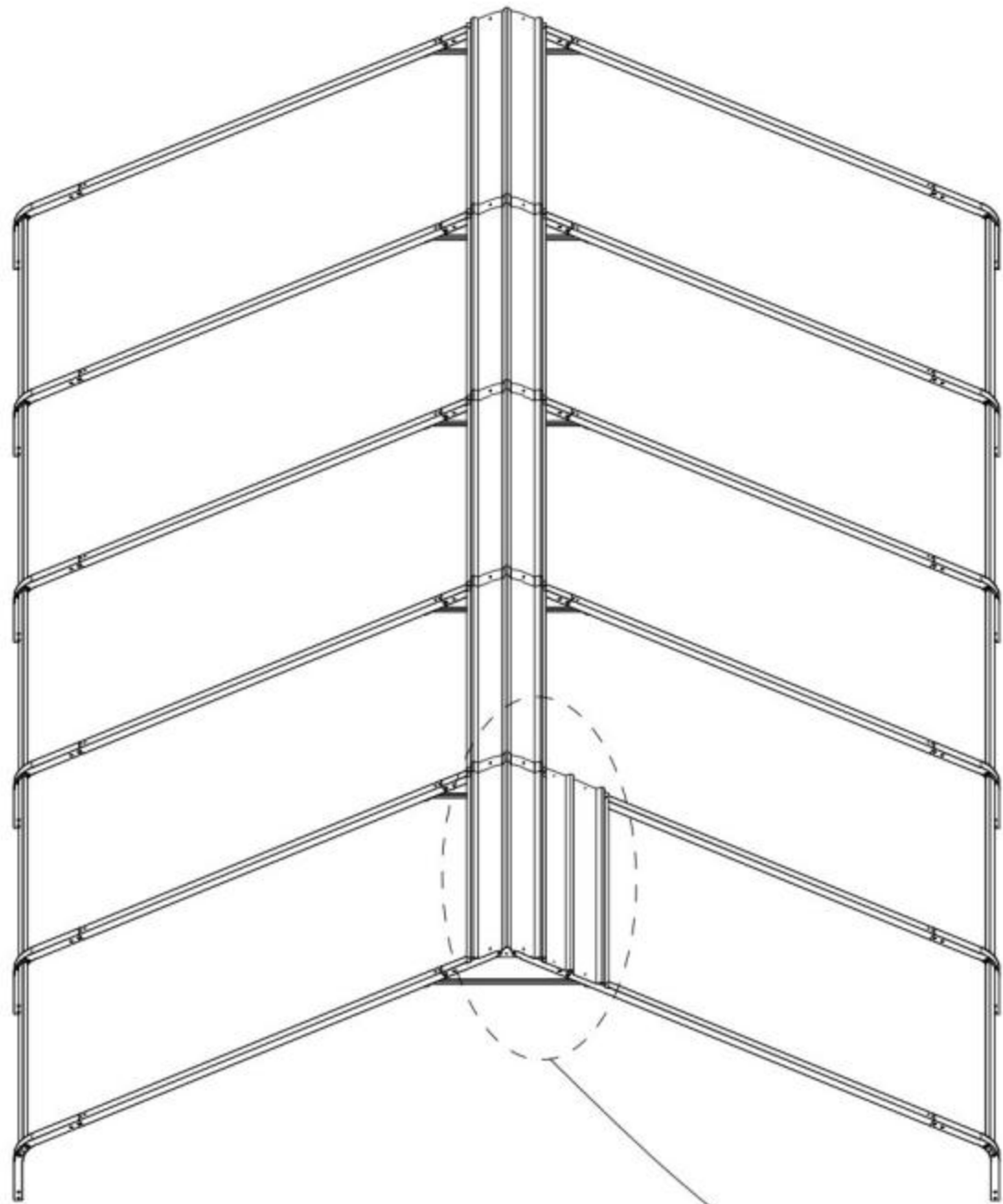
#R		X4
#Y1		
#G1		X10




3.1) The second Roof Cover (#R) needs to be placed on the first Roof Cover (#R)

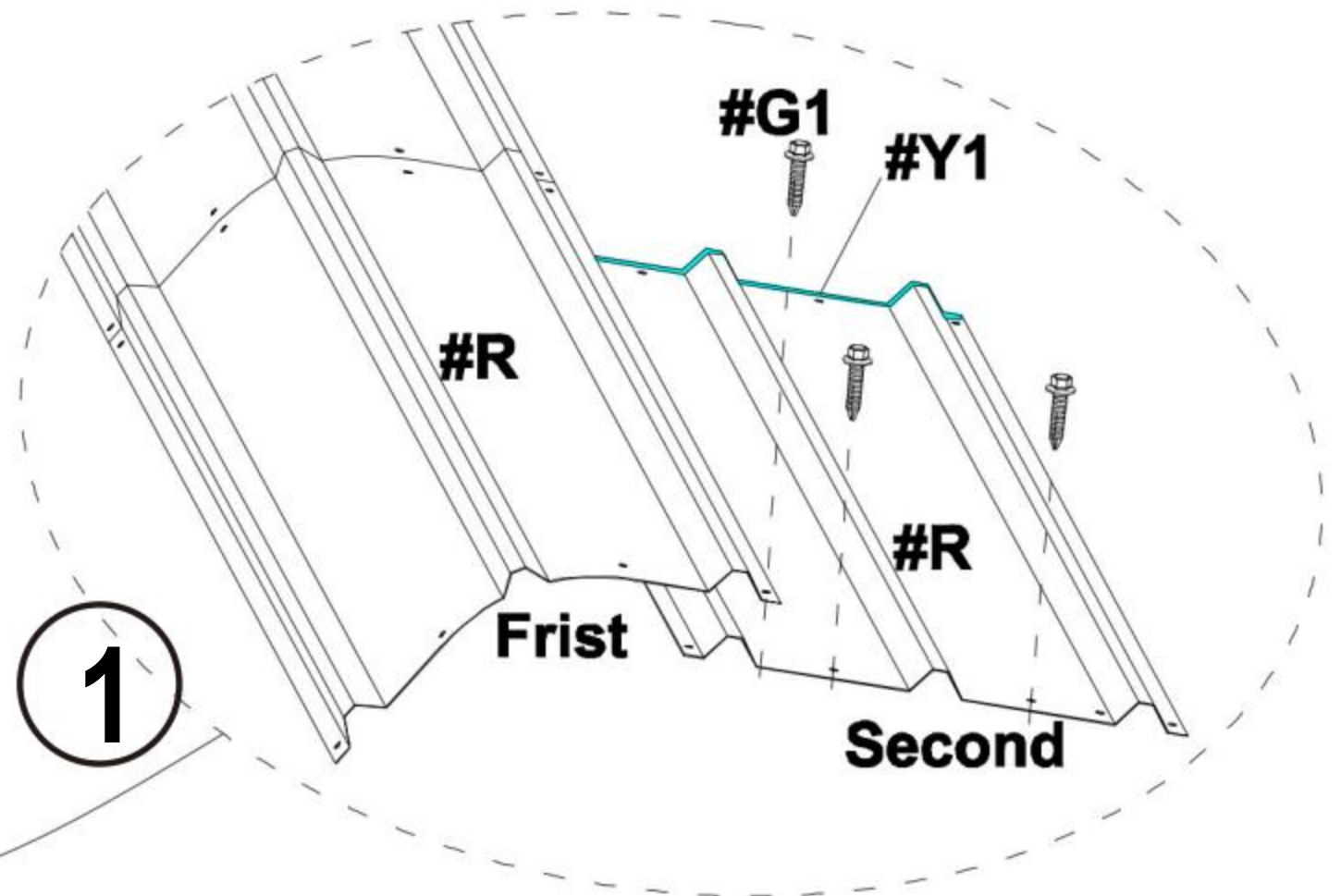
3.2) Follow the previous steps and continue to install the remaining Roof Cover (#R) in the middle row.



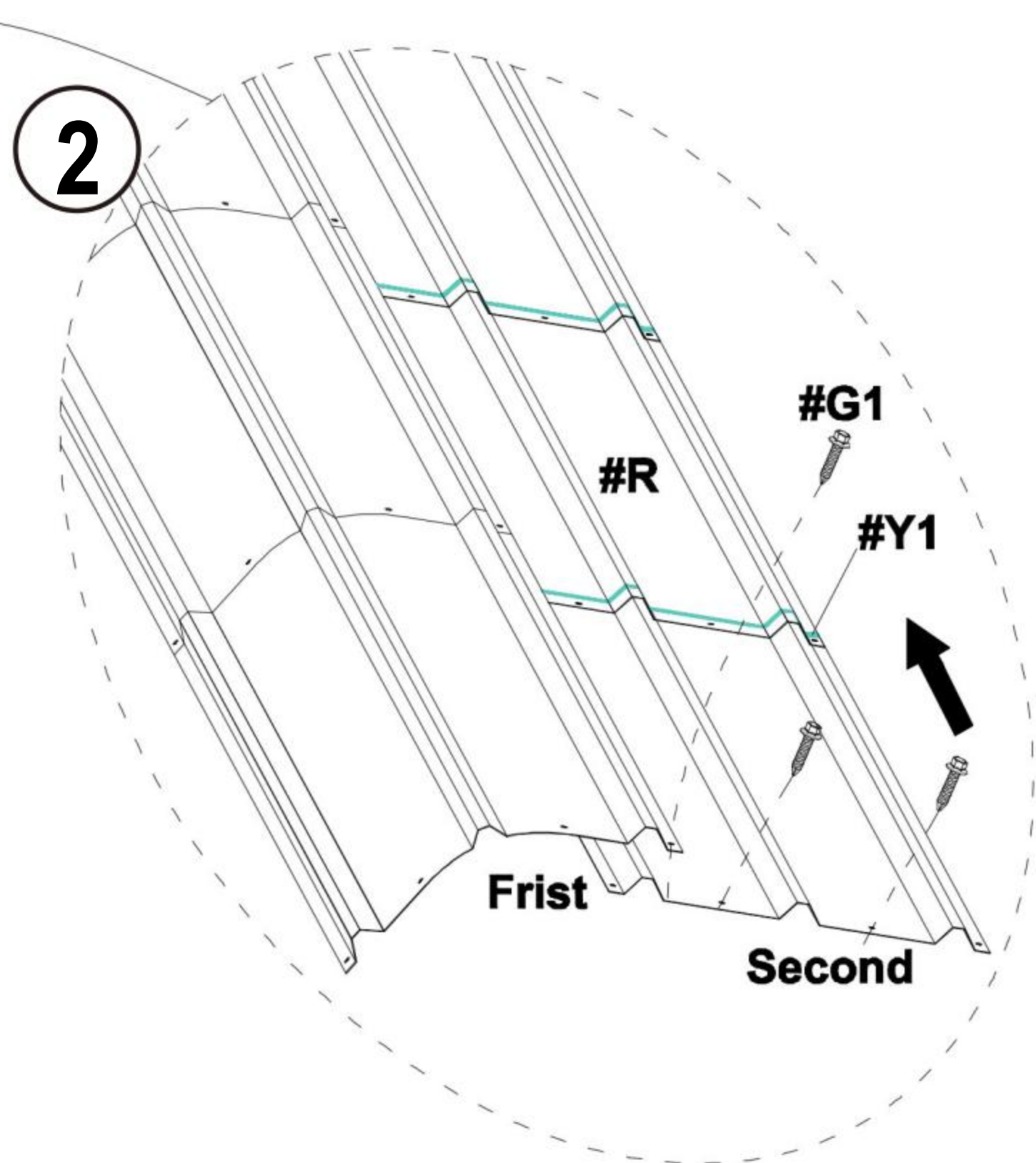
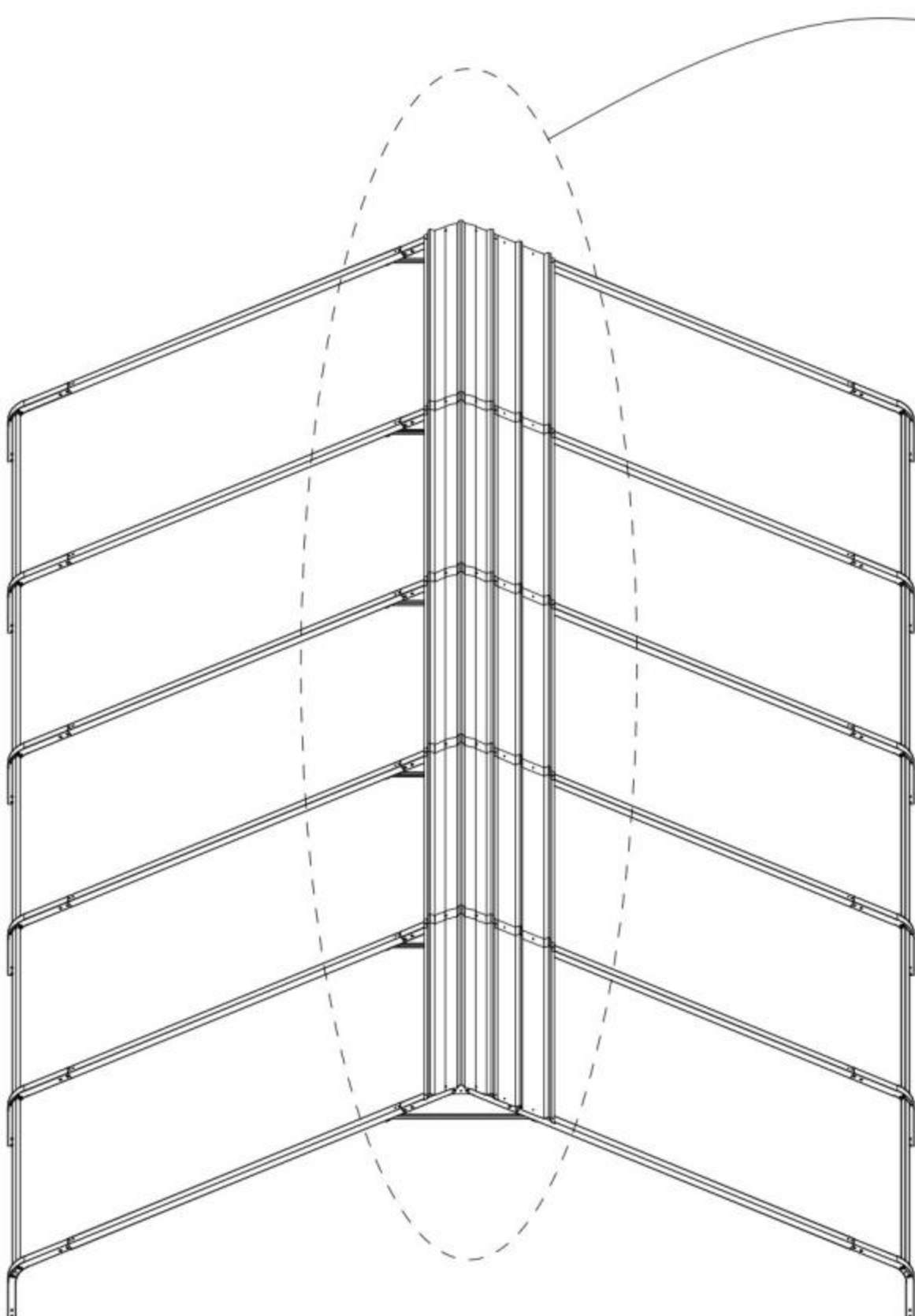
4.1) After installing the middle row, continue to install the 4 rows on the right. Each newly installed Roof Cover (#R) in a row needs to be placed below the Roof Cover (#R) in the previous row, as shown in the picture.






#R		X5
#Y1		
#G1		X18

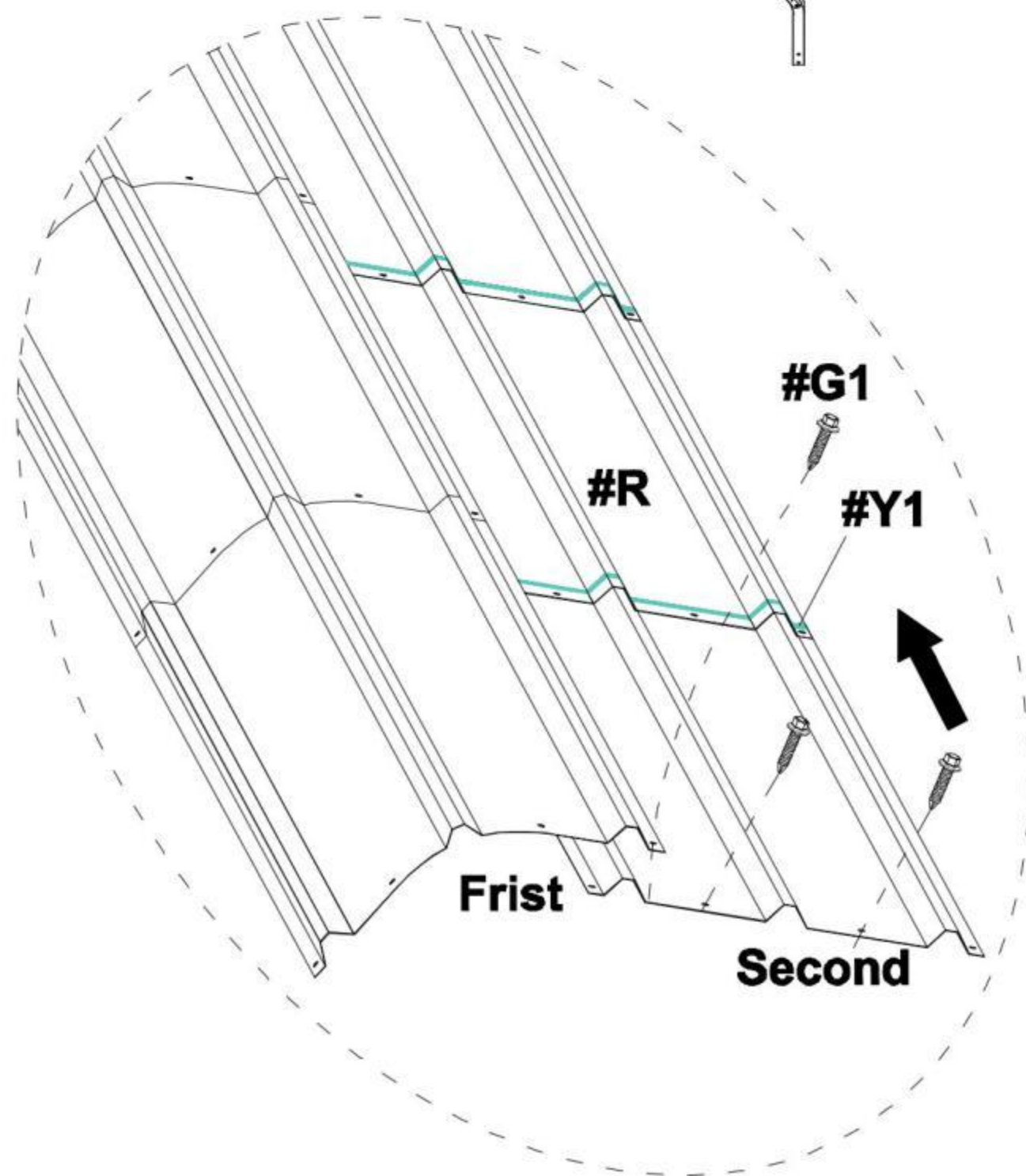
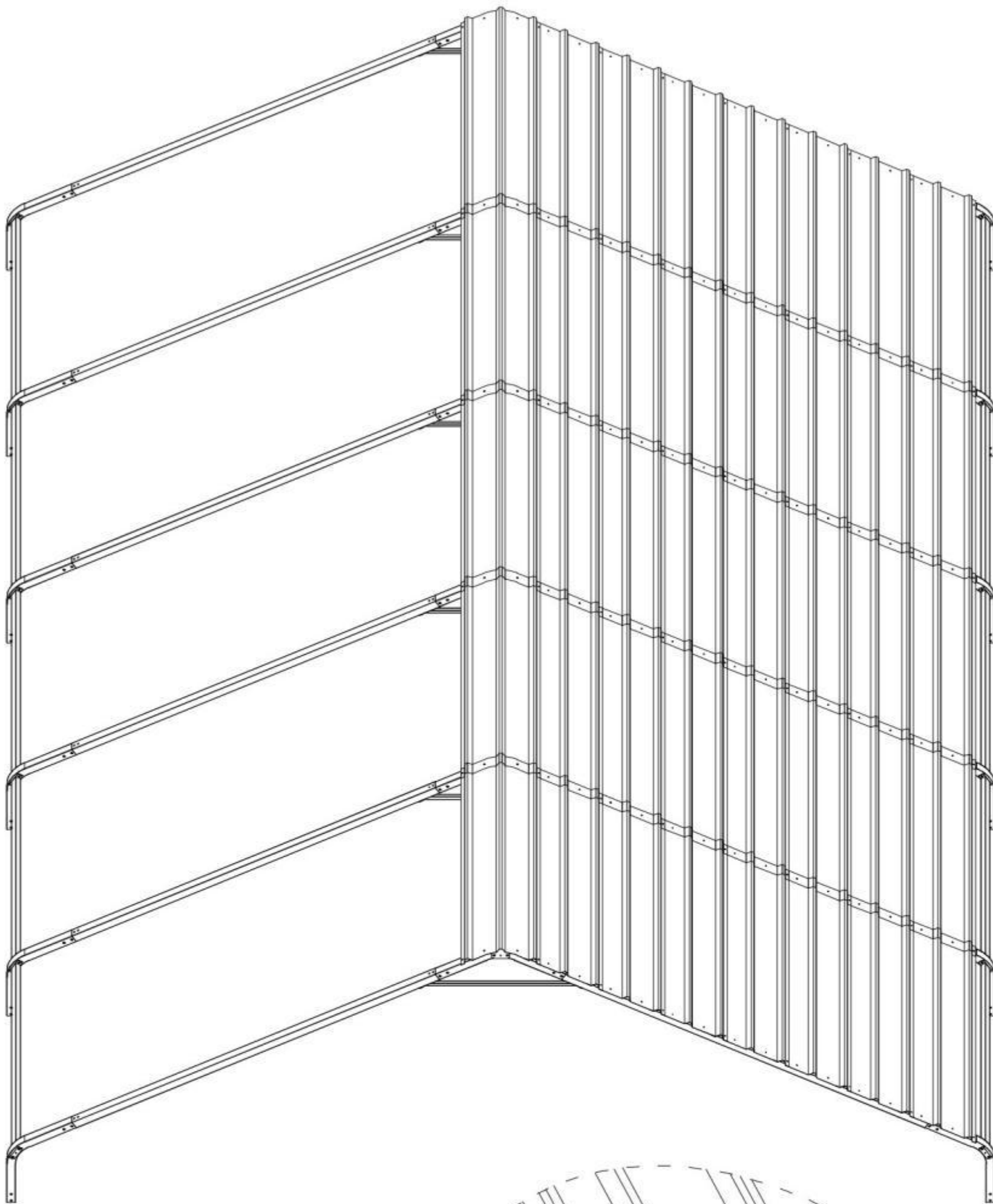


4.2) Same as the previous step, after pasting the Waterproof Tape (#Y1) of Roof Covers (#R), install the next Roof Covers (#R).






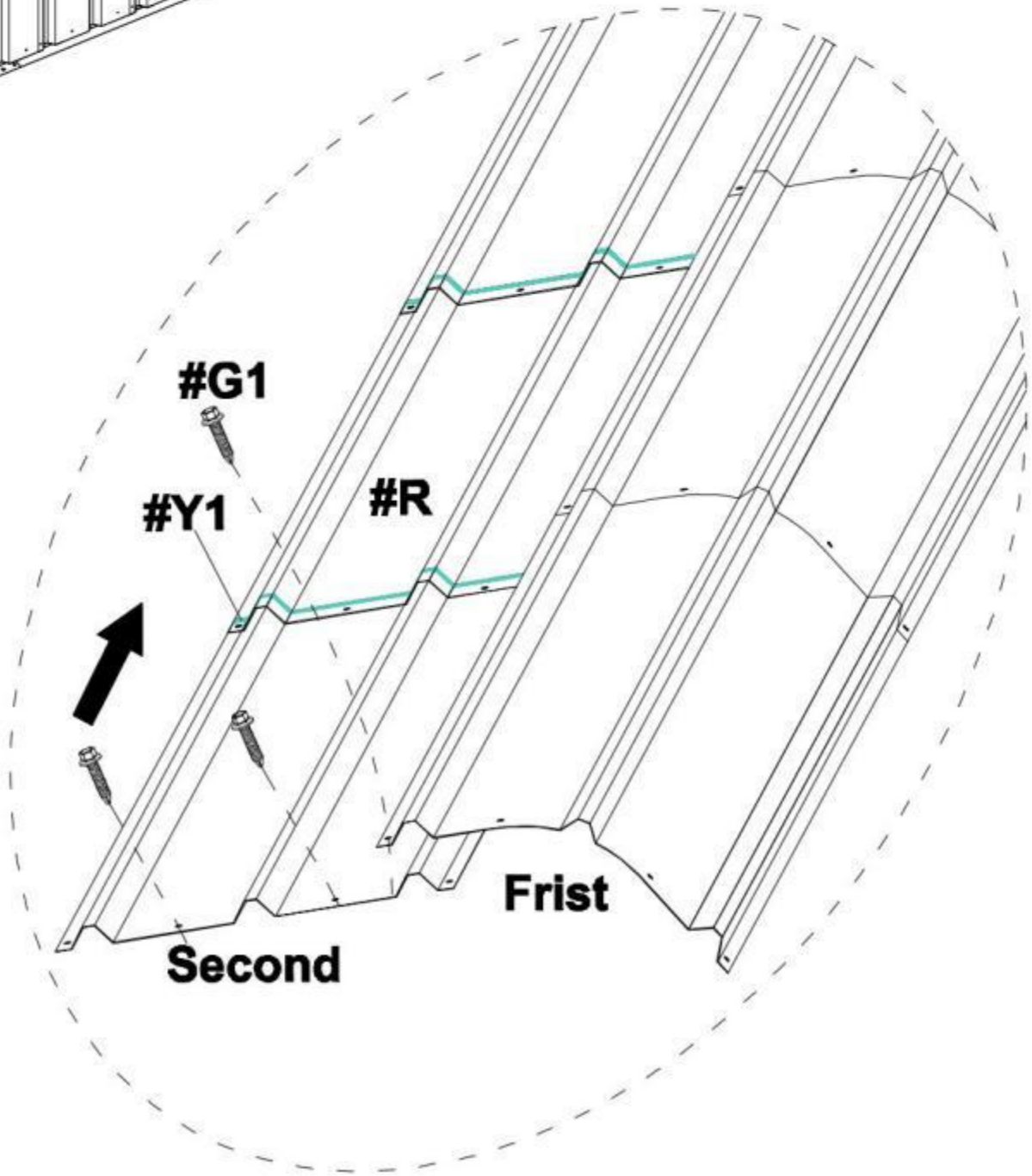
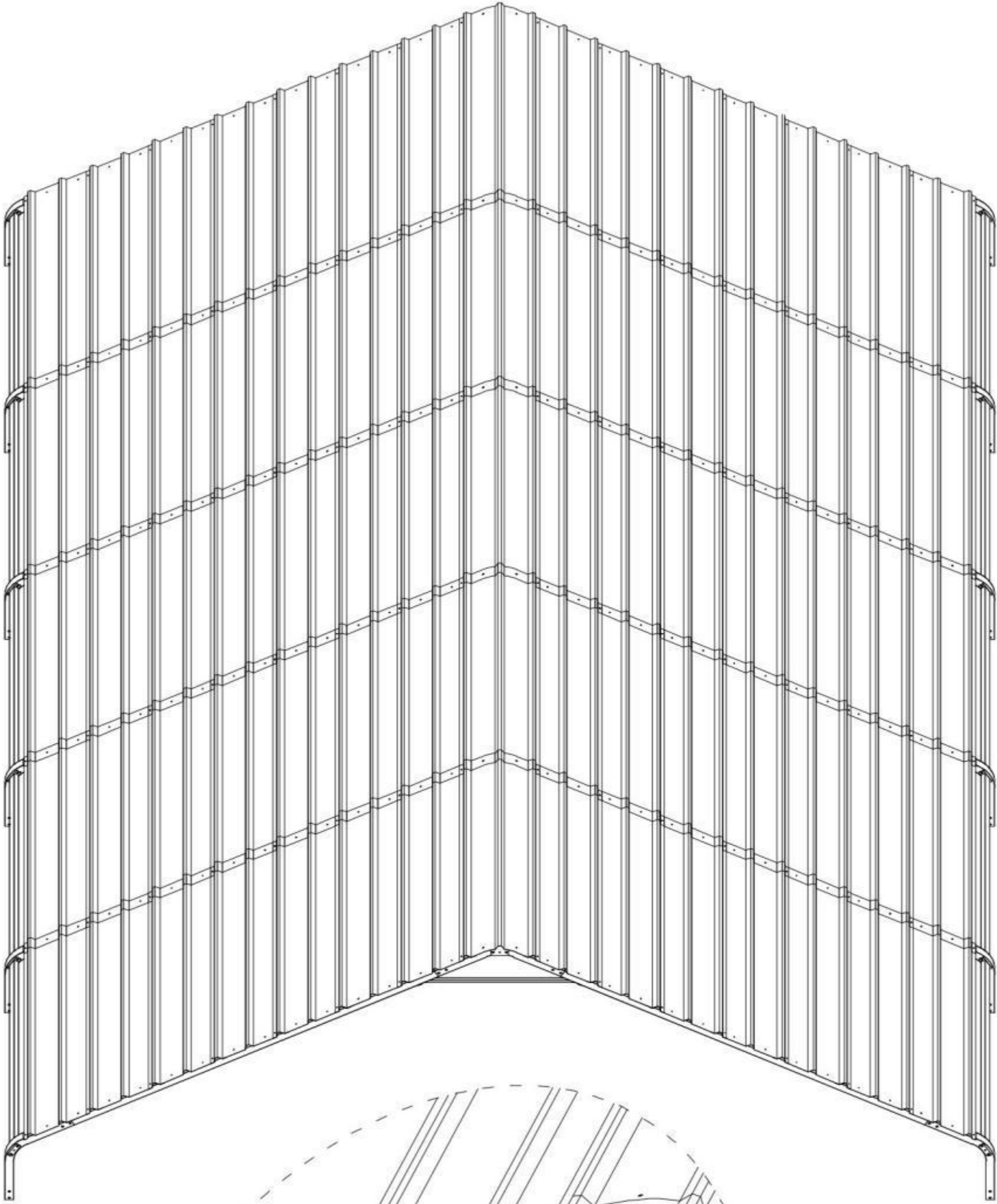
4.3) Follow the previous steps and continue to install the Roof Cover (#R) in the remaining 6 rows on the right.

#R		X30
#Y1		
#G1		X108



5.2) Same as the installation steps for the 6 rows on the right, please complete the installation of Roof Cover(#R) of the 7 rows on the left.

#R		X35
#Y1		
#G1		X126

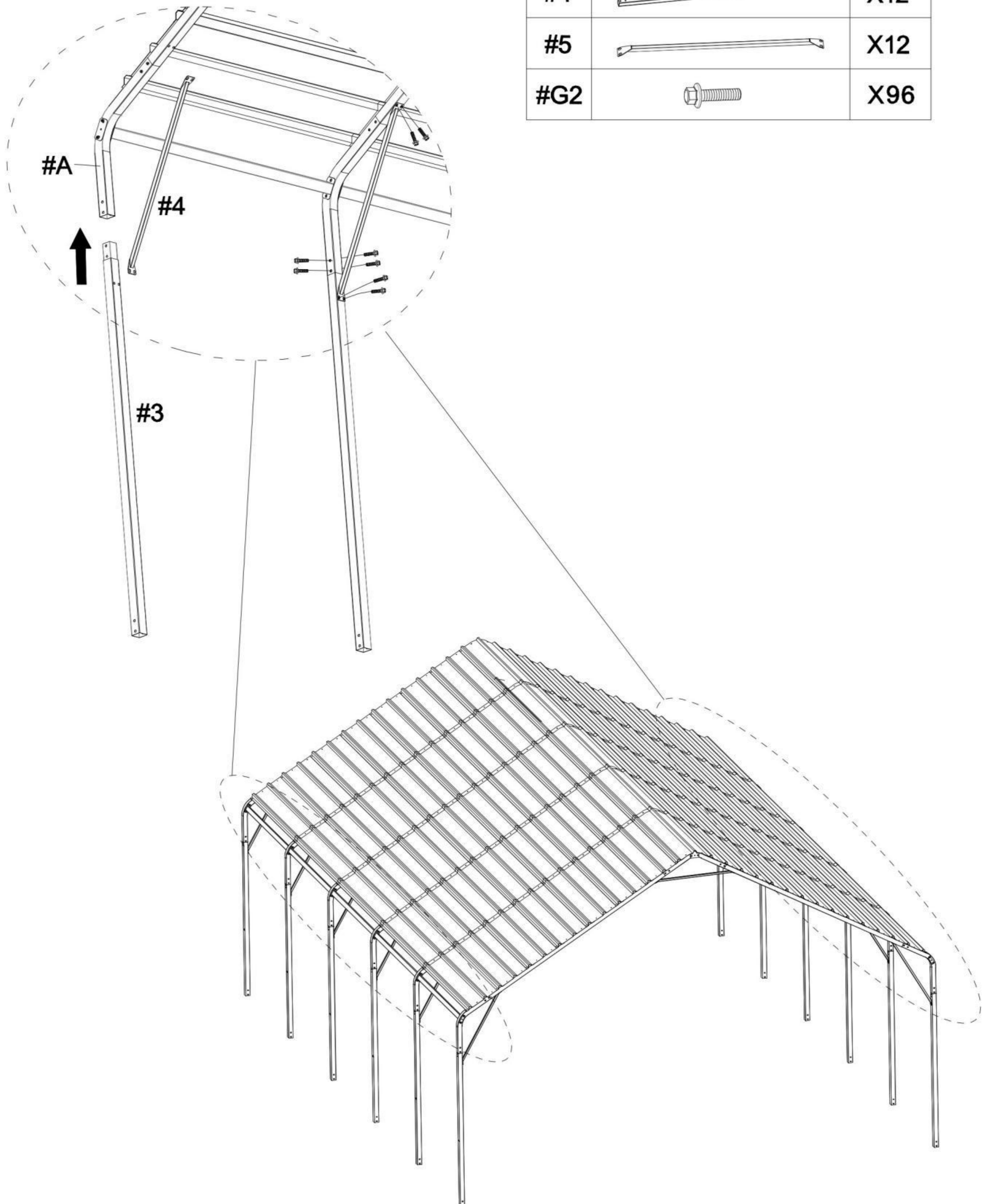


## STEP 5: Connect Legs

1) Install Leg Pole(#4) and Top Reinforcing pole(#5) to the Connector(#7).





2) The linking screws in this step are all: Hex Head Cap Bolt (#G2) .

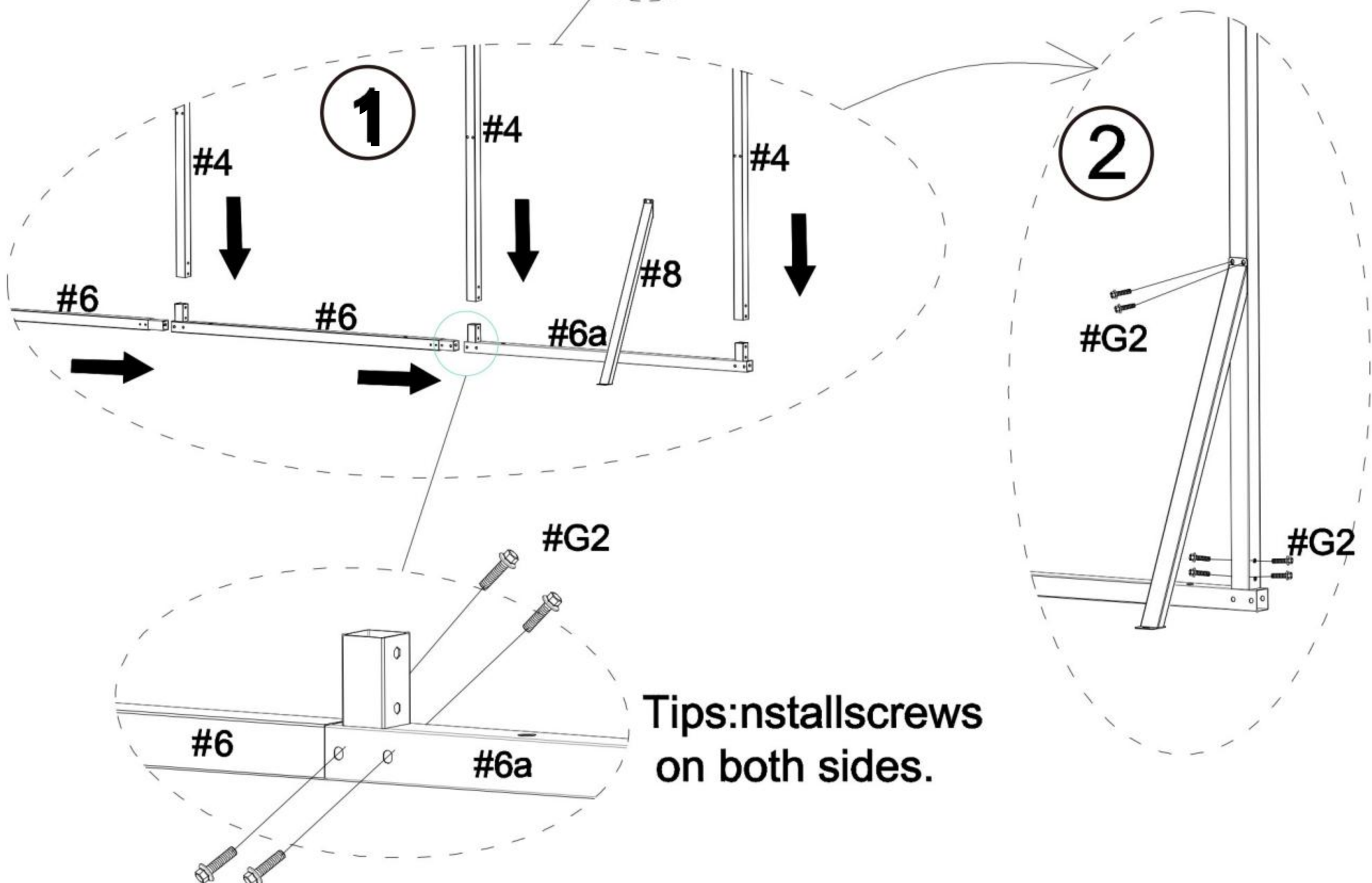
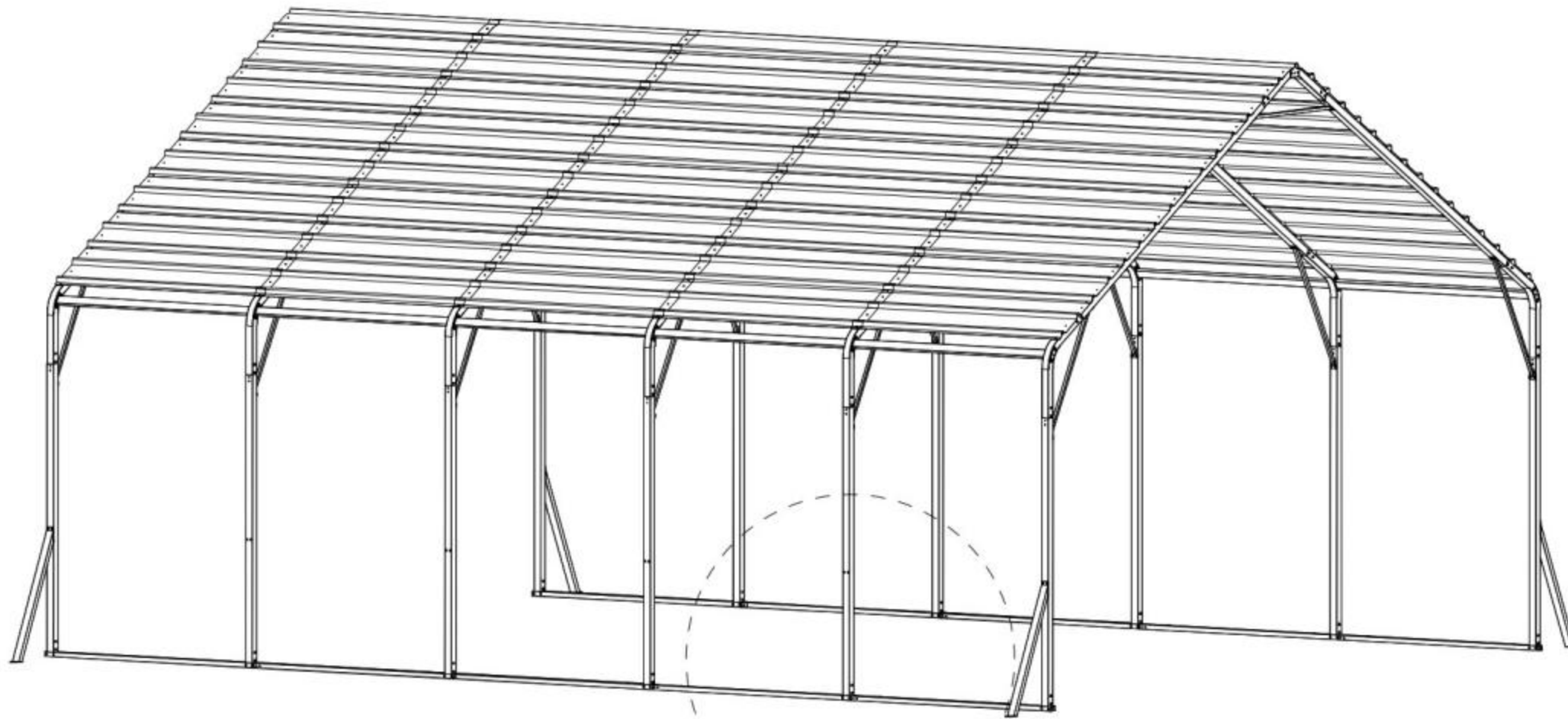
#4		X12
#5		X12
#G2		X96



## STEP 6: Reinforce the Frame

- 1) Connect all the Leg Pole (#4) to Ground bar 1 (#6) and Ground bar 2 (#6a)
- 2) The linking screws in this step are all: Hex Head Cap Bolt (#G2) and Expansion screws (#G3).

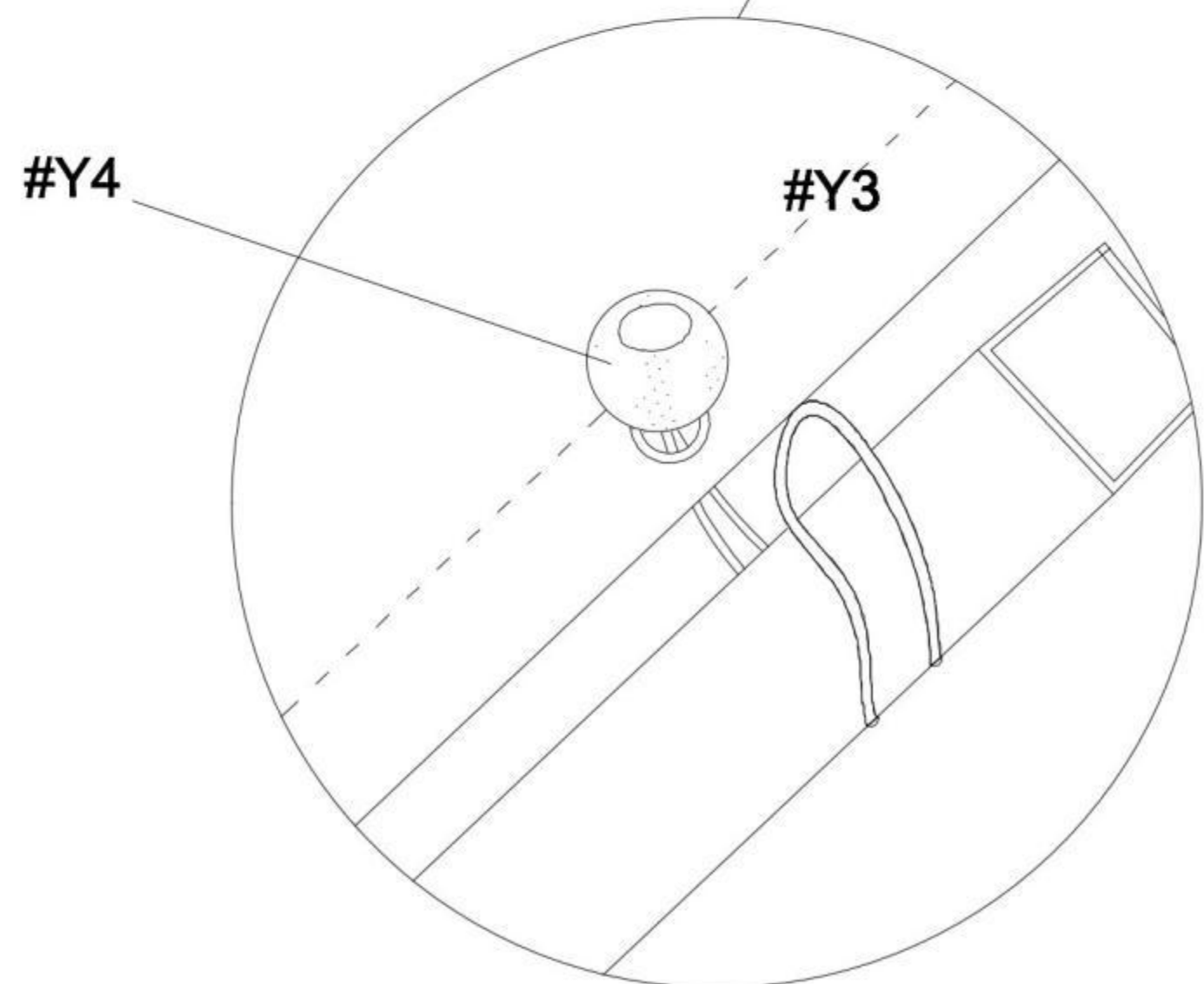
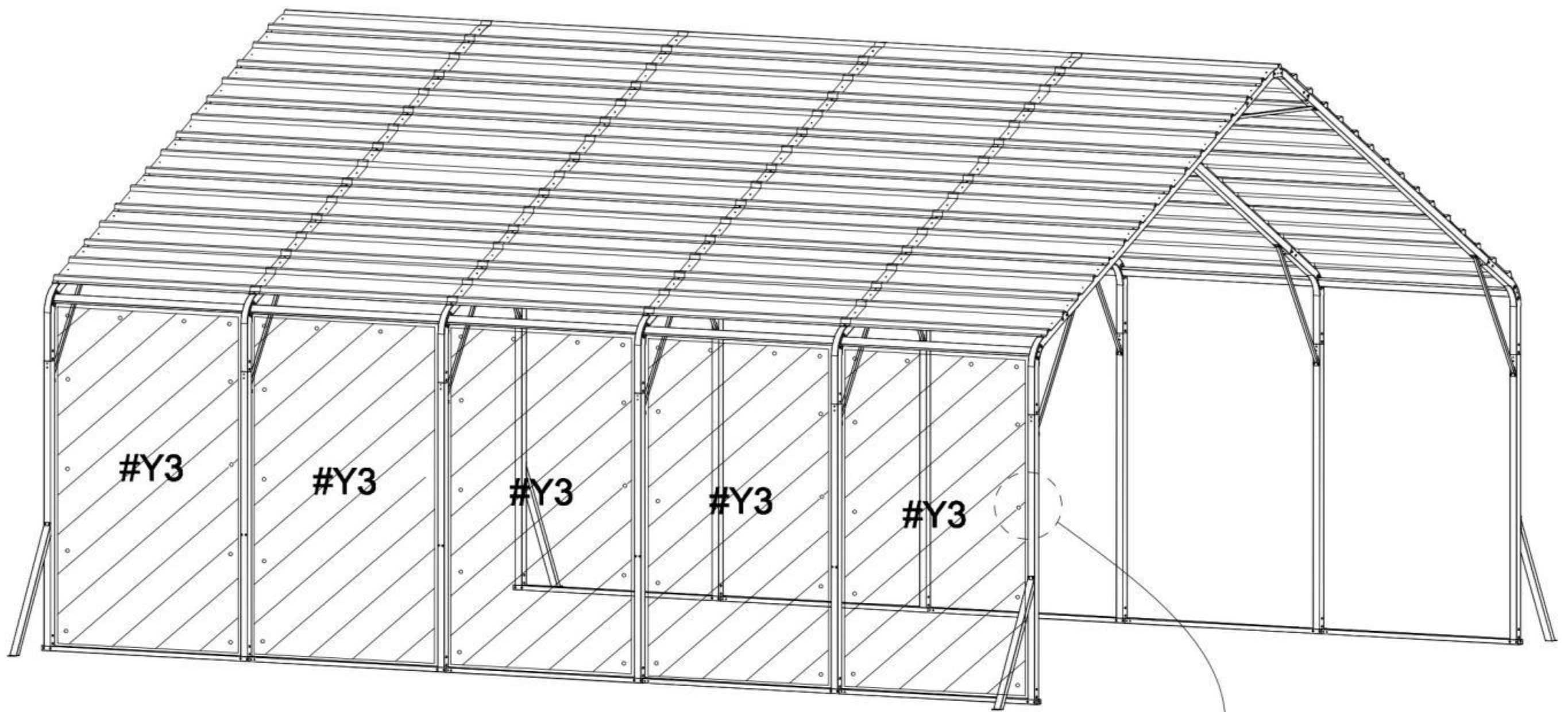
#6		X8
#6a		X2
#8		X4
#G2		X88



# STEP 7: Reinforce the Frame

Secure 5 wall cloths (#Y3) to the frame with rope beads (#Y4)




#Y3		X5
#Y4		X60

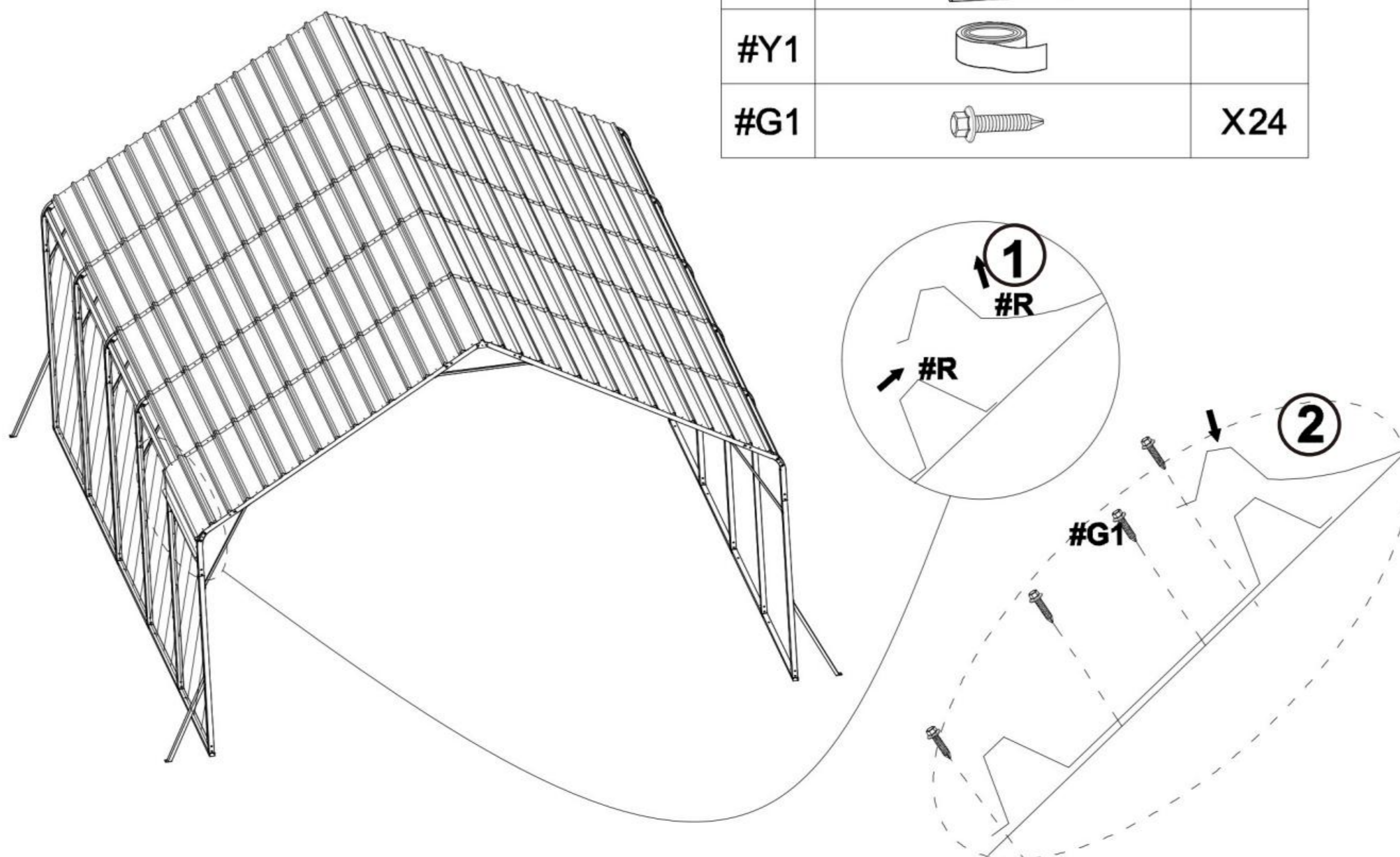


## STEP 8: Install the Side Roof

After installing the Leg Pole(#4), continue to install the Roof Cover (#R) in the 4 rows on the left and right sides.

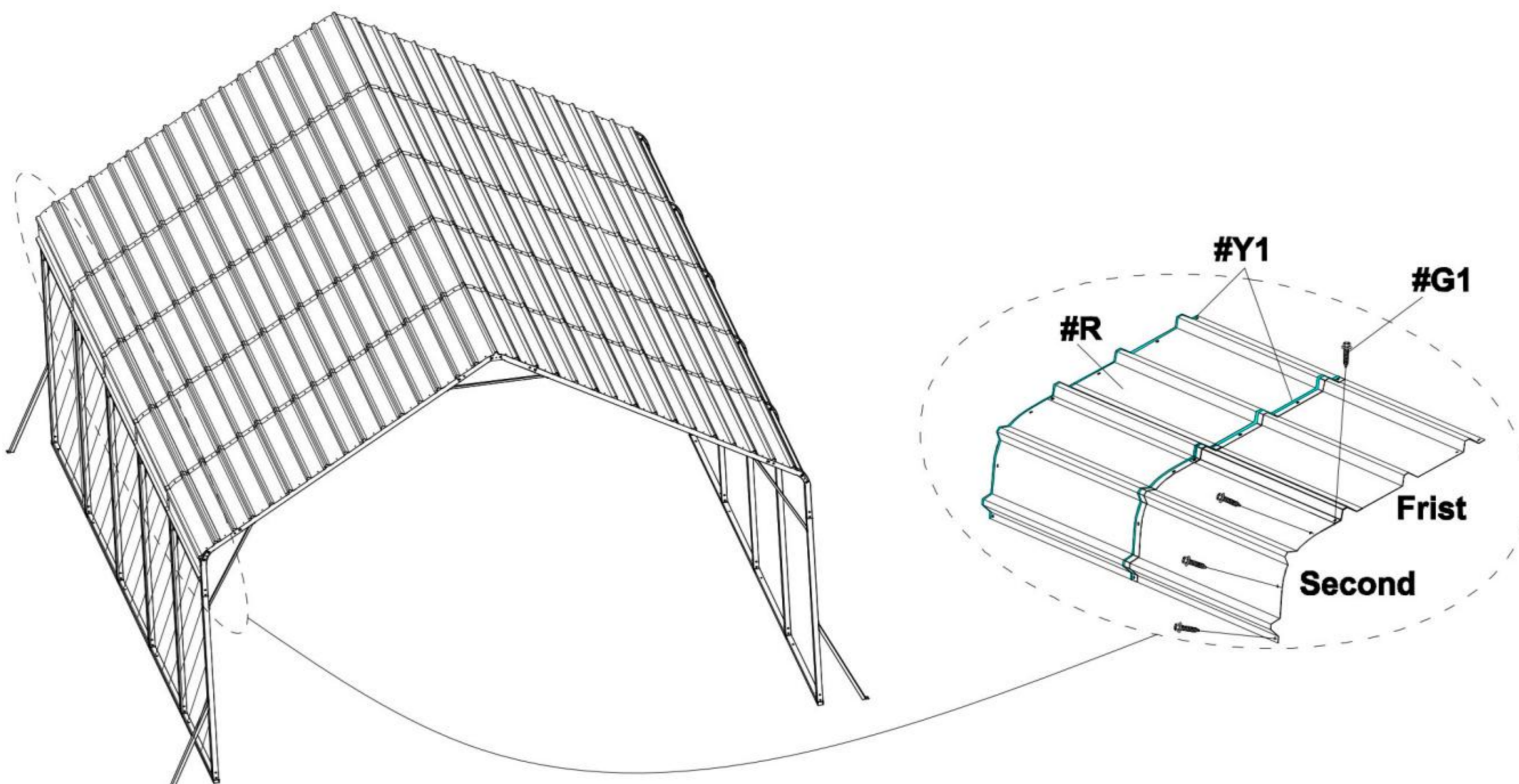
1) First install the Roof Cover (#R) in the left row, as shown in the picture.

#R		X5
#Y1		
#G1		X24

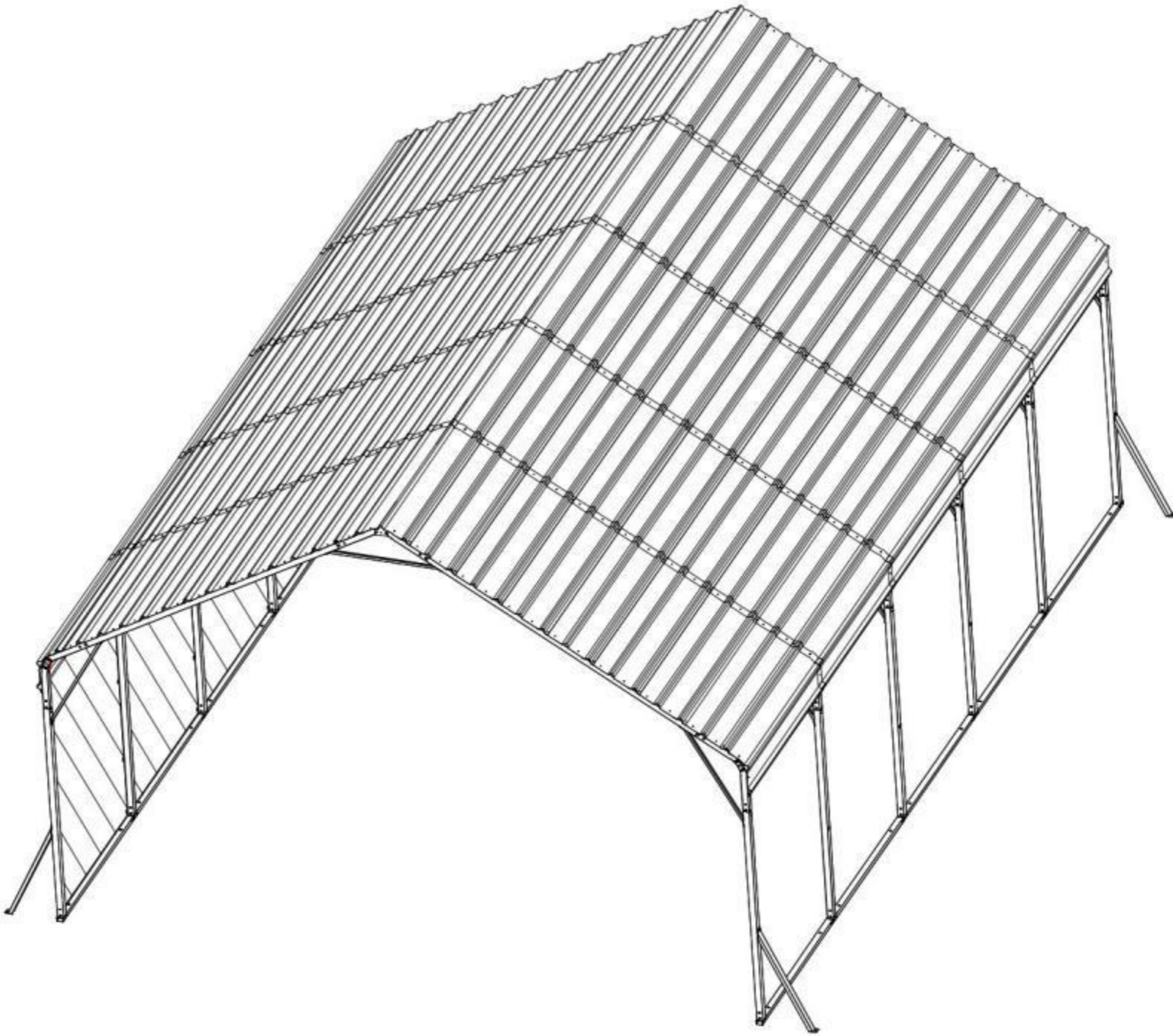




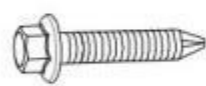

### Notice:

1. Make sure that the screw holes are aligned, and then press the Waterproof Tape (#Y1)
2. Make sure there are no gaps between the two roof covers to prevent water leakage
3. The second Roof Cover (#R) needs to be placed on the first Roof Cover (#R)



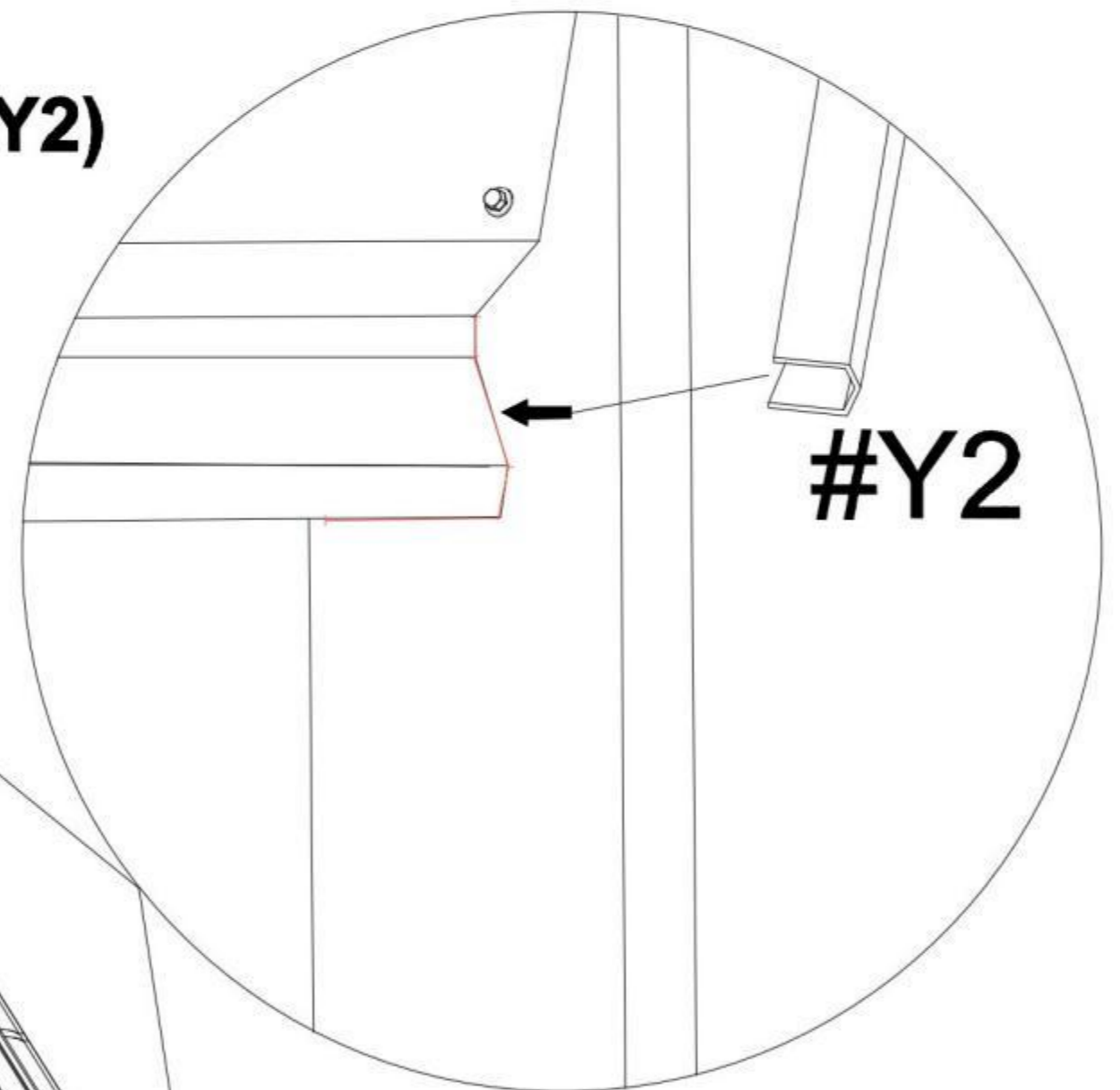
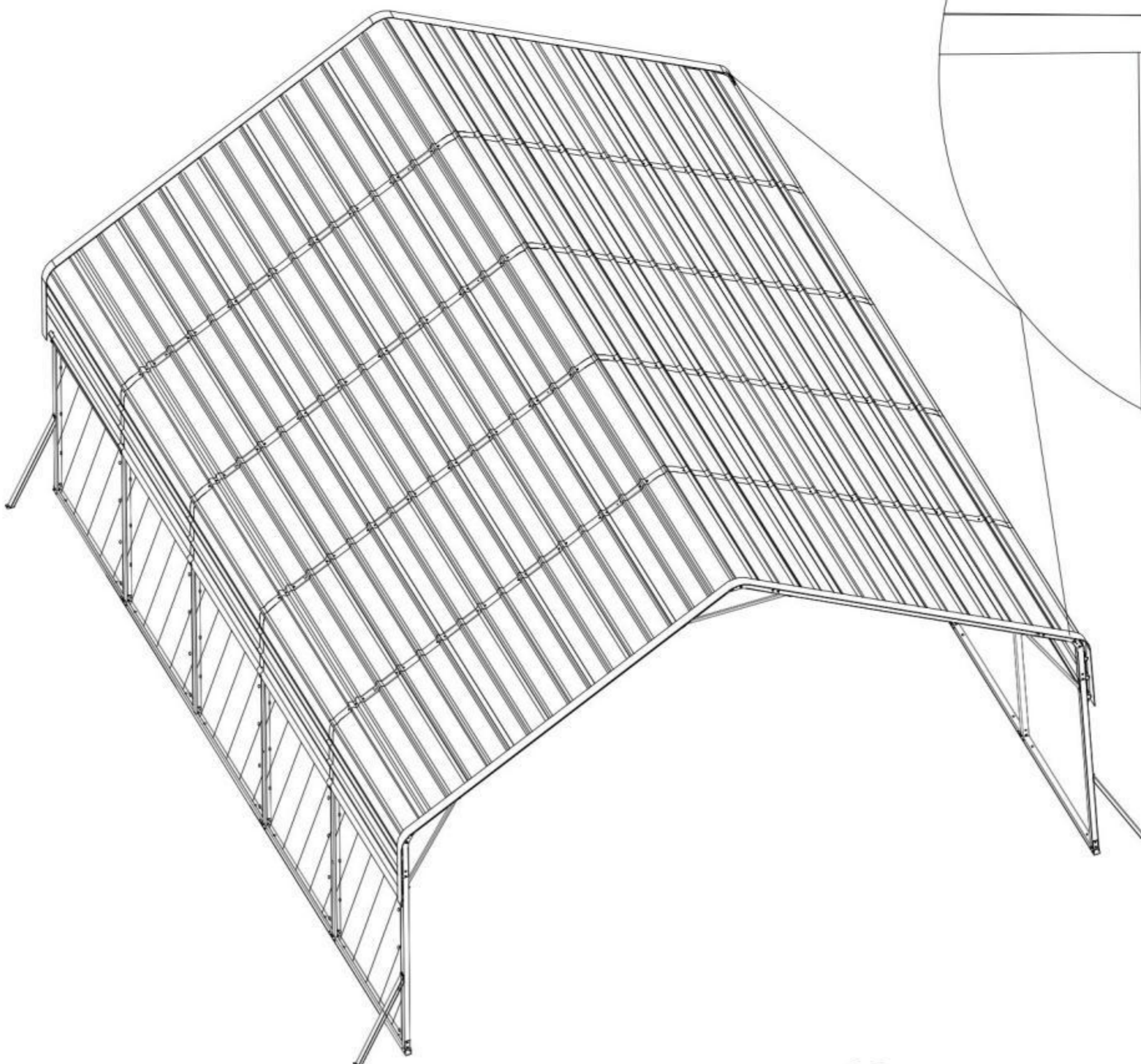
2) Follow the previous steps and continue to install the Roof Cover (#R) in the remaining 1 rows on the right.



#R		X5
#Y1		
#G1		X24
#Y2		

### STEP 9: Install the Anti-cut Tape (#Y2)

1) Wrap the Anti-cut Tape (#Y2) around the outer edge of the Roof Covers(#R).





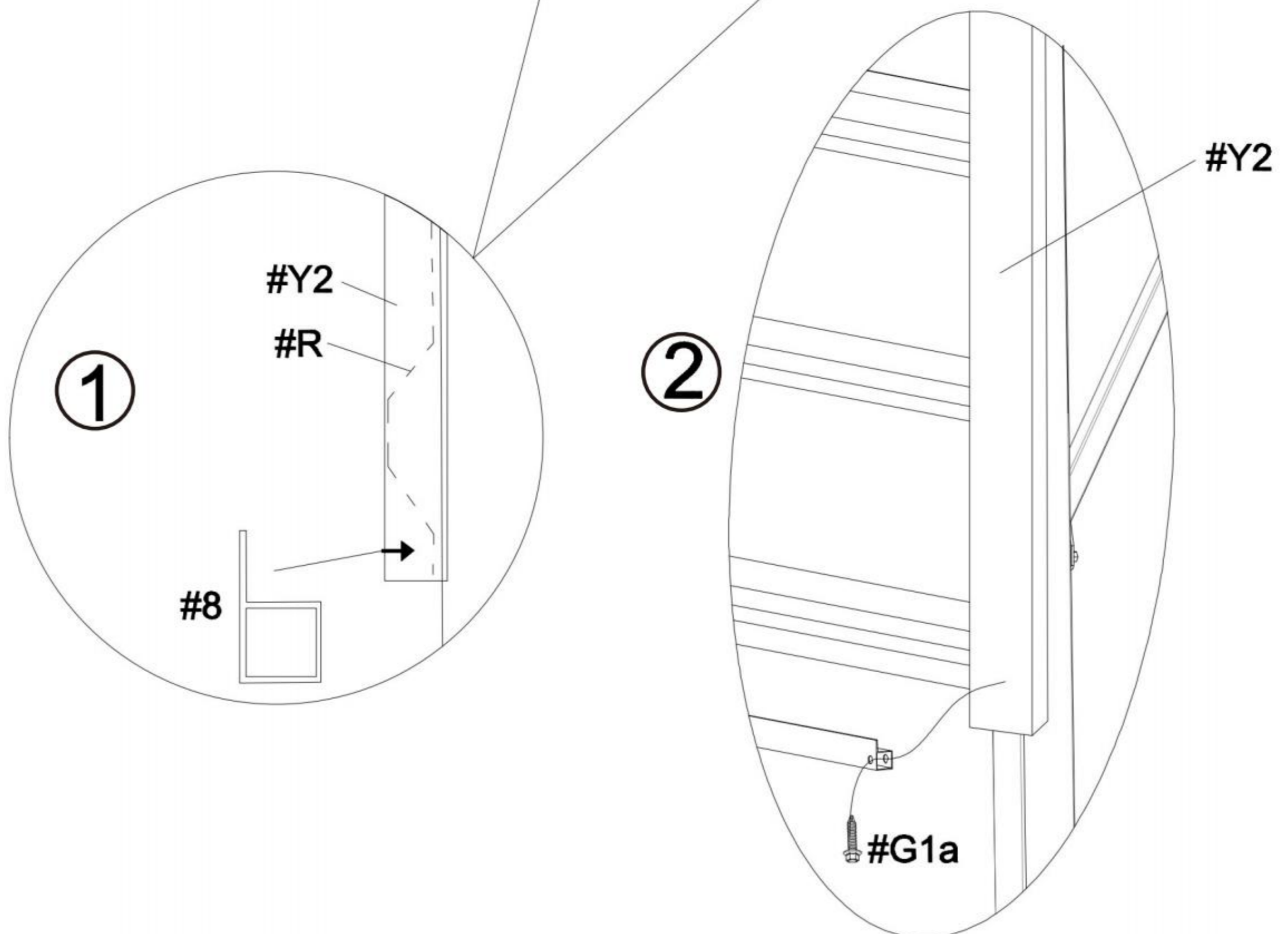
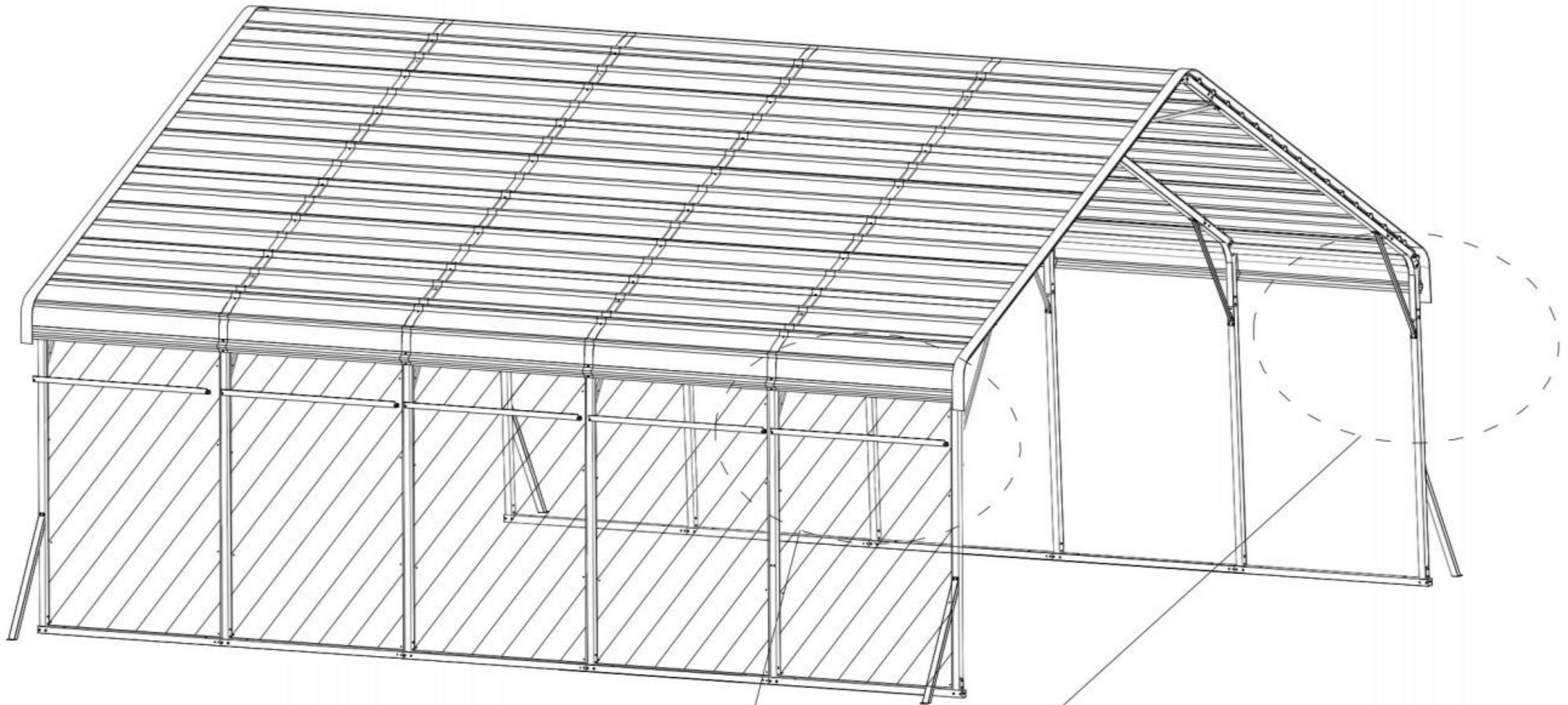
**Notice:**  
Be careful not to start from the 4 corners when wrapping the tape. Right angles are sharp and need to be avoided.

## STEP 10: Side-side defense pole

After installing I the Roof Cover (#R).on the left and right sides.

1) Install the Side-side defense pole(#9) in the left and right row, as shown in the picture.

#9		X10
#G1a		X20



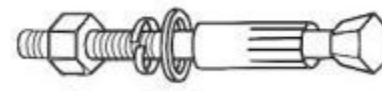
# STEP 11 : Anchor the Carport

Install the Anchor the Carport on the ground.

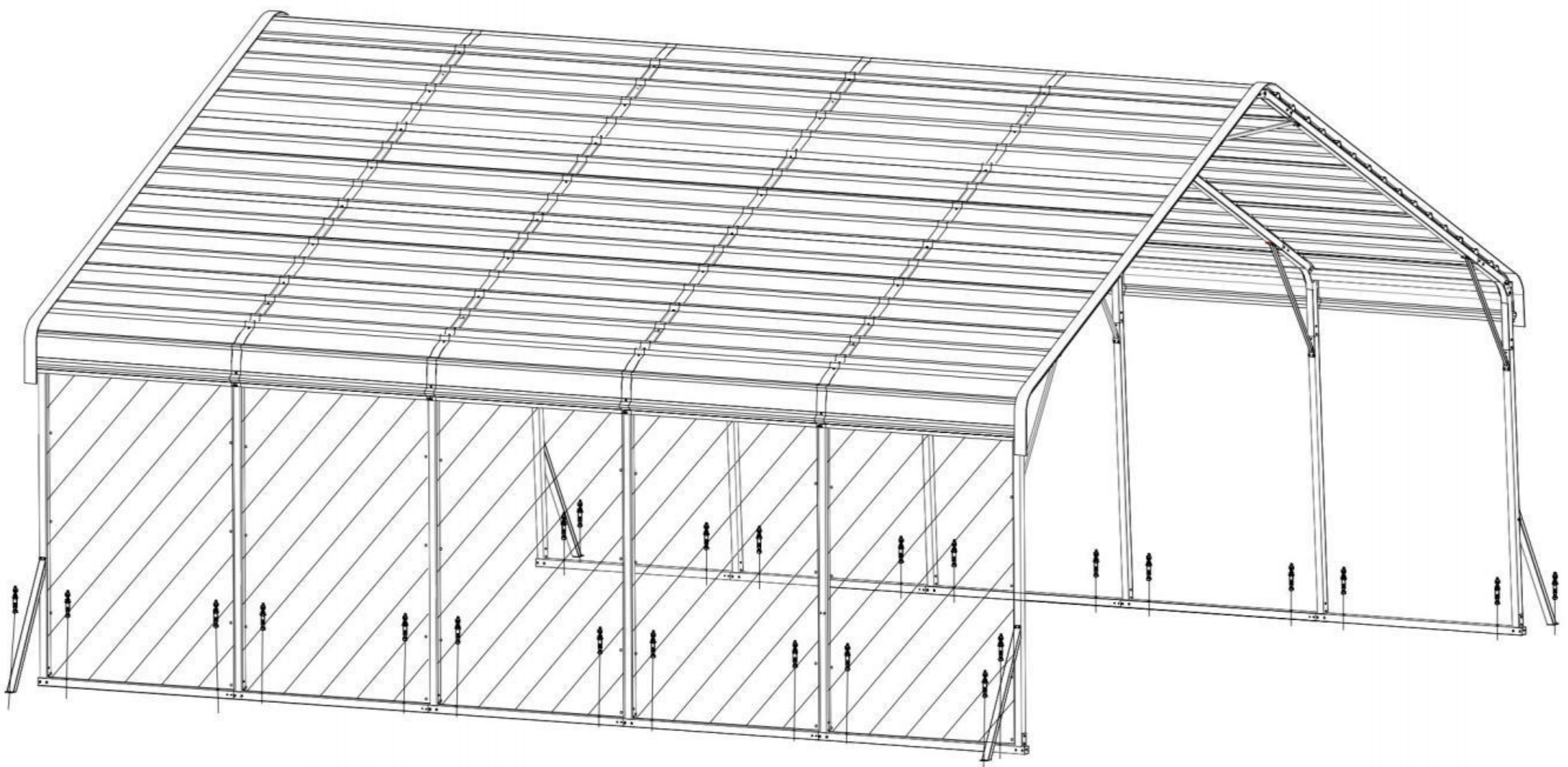
Notice:

The linking screws in this step are all: Expansion screws

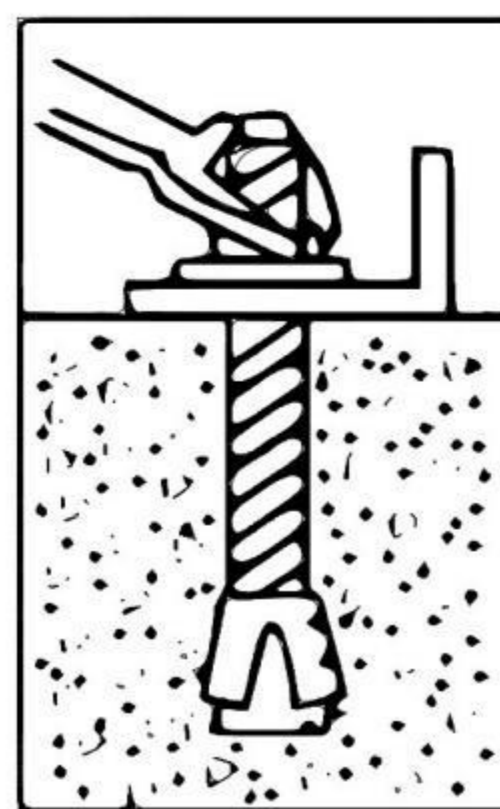
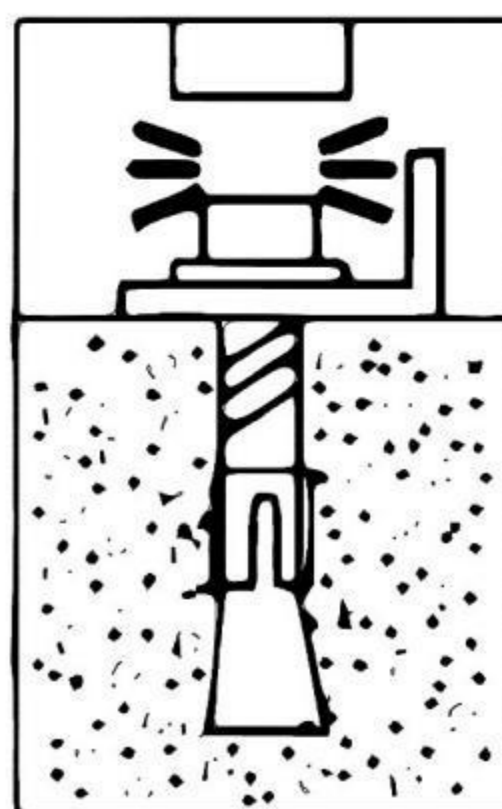
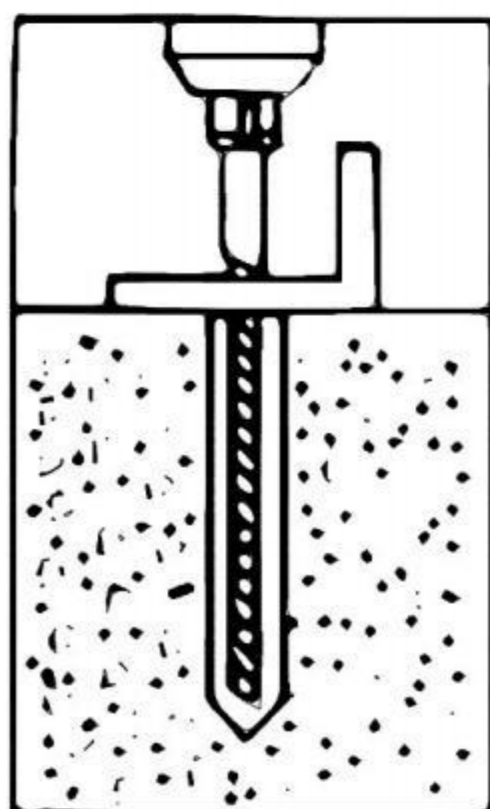
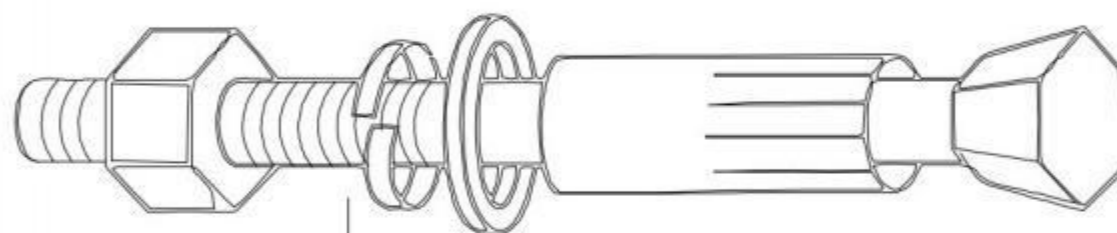
#G3



X24



#G3





**Tecnico Supporto E E - Garanzia Certificato**  
**[www.vevor.com / support](http://www.vevor.com/support)**

# VEVOR

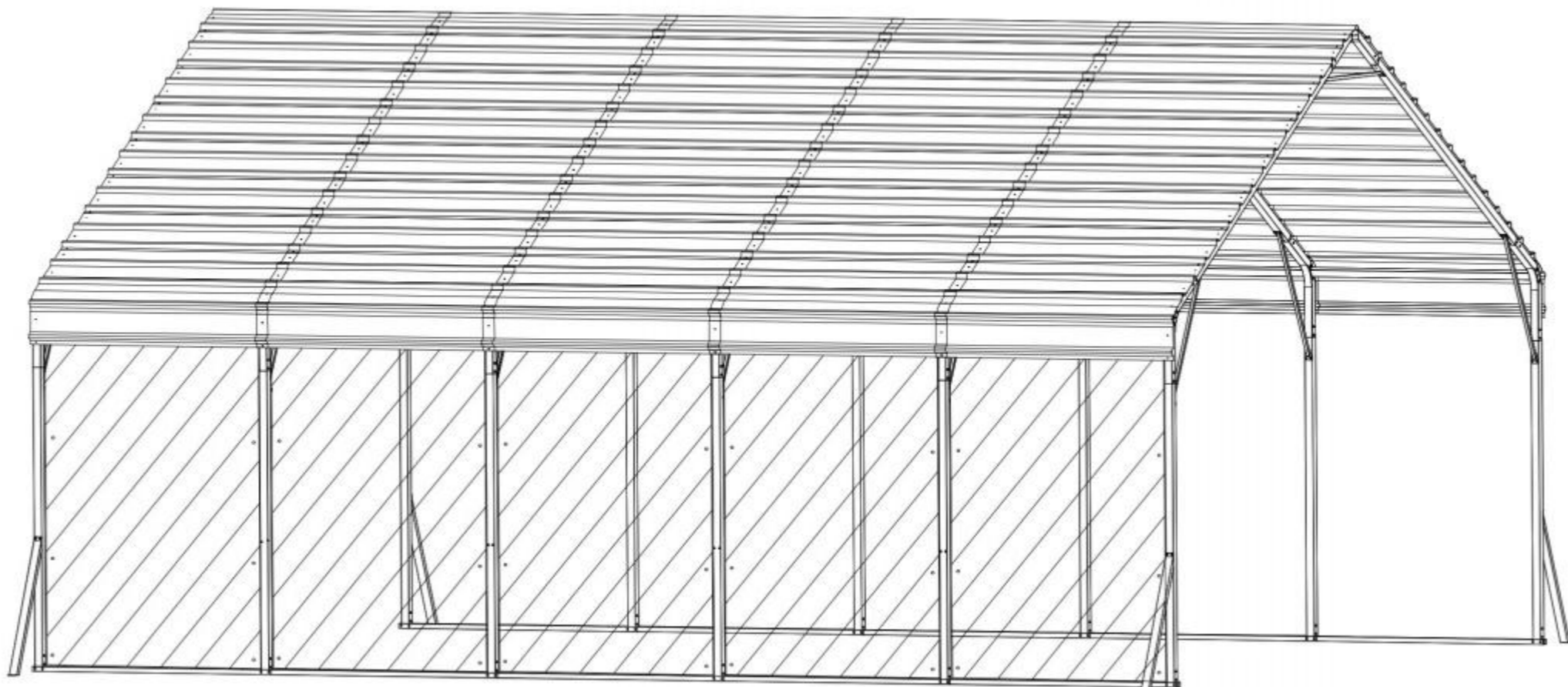
Asequible Confiable. ¡Mejoras para el hogar .

Pesado Cocheras de servicio  
Modelo: KD-TPQC-007-20x24 pies

**Technical Support and E-Warranty Certificate**  
**[www.vevor.com/support](http://www.vevor.com/support)**

# CARPORT INSTALLATION INSTRUCTION

Modelo : KD - TPQC -007-20x24 pies



Este es el original instrucción , por favor leer todo manual instrucciones con cuidado antes operando . VEVOR reservas a claro interpretación de nuestro usuario manual . El apariencia de el producto deber ser sujeto a el producto tú recibió . Por favor perdonar a nosotros eso nosotros no informar tú de nuevo si allá son cualquier tecnología o software actualizaciones en nuestro producto .

***IMPORTANT! PLEASE READ THIS INSTRUCTION CAREFULLY BEFORE INSTALLATION.***

1. Have at least two adults during installation. Read all instructions carefully and follow it accordingly. Failure to do so may result to injury or damage to the carport.
2. Never set-up the product in rainy, windy or stormy conditions, especially lightning storms.
3. Keep your carport off of the steep slopes and inclination.
4. After installation ,the carport should be anchored to prevent damage and possible injury. It is the user`s responsibility to properly anchor the product.
5. Always inspect the carport and each part before use. Make sure that everything is tightly secured. Replace any worn, defective missing parts.
6. For a better installation and use experience, it is recommended to bring your own ladder, scissors, electric drill and glass glue.

## SEGURIDAD INSTRUCCIONES

### ADVERTENCIA :

Lee este material antes usando este producto. De no hacerlo, puede resultado en serio lesión.

### Precauciones de montaje

1. Ensamblar solo de acuerdo a a estos instrucciones . Incorrecto El ensamblaje puede crear peligros.
2. Desgaste Aprobado por ANSI seguridad gafas de protección y trabajo pesado trabajar guantes durante asamblea .
3. Mantener el asamblea área limpio y bien iluminado
4. Mantener transeúntes afuera de el área durante asamblea .
5. Hacer no armar si cansado o cuando bajo el influencia de alcohol , drogas o medicamento .
6. El producto capacidades aplicar a adecuadamente y completamente Sólo productos ensamblados.
7. Ensamblar en a plano , nivelado , duro y liso superficie capaz de Apoyando de forma segura la madera Árbol del pasillo.
8. Para adicional información acerca de el regiones listado en el páginas siguientes, por favor referirse a la Asamblea Diagrama de esto manual. Desenvolver y separar todo regiones en un trabajo limpio área.

### Usar precauciones

- 1.HACER NO SENTARSE NI PERMANECER DE PIE EN ESTO ARTÍCULO.
- 2.Esto producto es No es un juguete. Hacer No permitir que los niños jugar con o cerca este artículo.
3. Hacer no superar especificado peso capacidades .
4. Uso solo en a plano , nivelado , duro y liso superficie eso poder apoyo seguro a completamente cargado De madera Sala Árbol .
- 5.Utilizar como Sólo previsto.
6. Inspeccionar antes de cada usar; hacer no usar Si las piezas están sueltas o dañado.

GUARDE ESTO MANUAL

¡IMPORTANTE! POR FAVOR LEA ESTAS INSTRUCCIONES CON CUIDADO ANTES DE LA INSTALACIÓN.

1. Instalación requiere en al menos dos adultos. Leer todas las instrucciones de cuidado- completamente y seguir en consecuencia. En caso de no hacerlo puede resultar en lesión o daño a la cochera .

2. Nunca lo configure arriba el producto en condiciones lluviosas, ventosas o tormentosas , especialmente iluminación tormentosa.

3. Mantenga su cochera alejada de pendientes pronunciadas y inclinación.

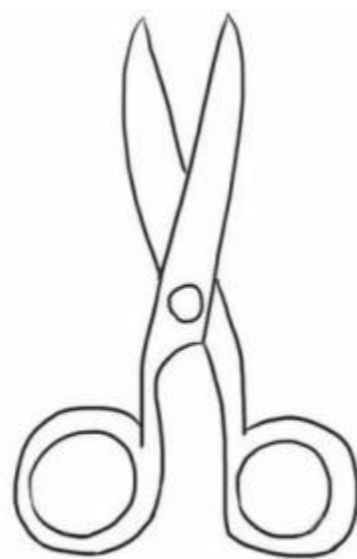
4. Después de la instalación, la cochera debe estar anclada a prevenir daños y posible lesión. Él es el del usuario responsable de adecuadamente anclar el producto.

5. Siempre Inspeccione la cochera y cada una parte Antes de usar . Hacer seguro que todo esté bien asegurado. Reemplace cualquier pieza desgastada, defectuosa o desaparecida regiones.

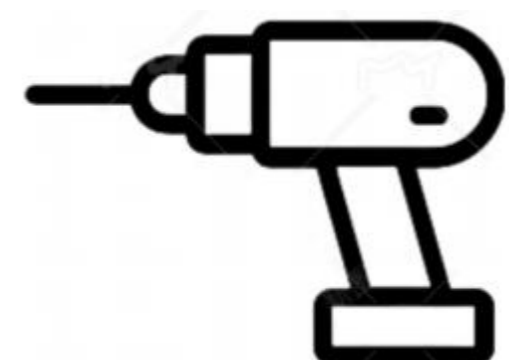
6. Para una Mejor experiencia de instalación y uso, él es recomendado a Traer tu propia escalera, tijeras, electricidad. perforar y vaso pegamento.



Escalera













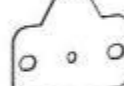
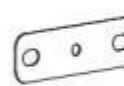
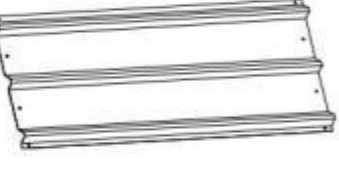



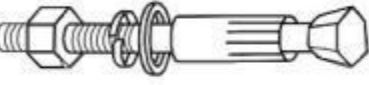

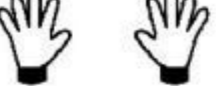




Tijeras







taladro eléctrico

# PACKAGE CONTENTS

This carport is packed in 5 boxes. Before the installation, please check all the parts according to the part list. If there is any part missing or defective, please contact us immediately to get replacement parts.

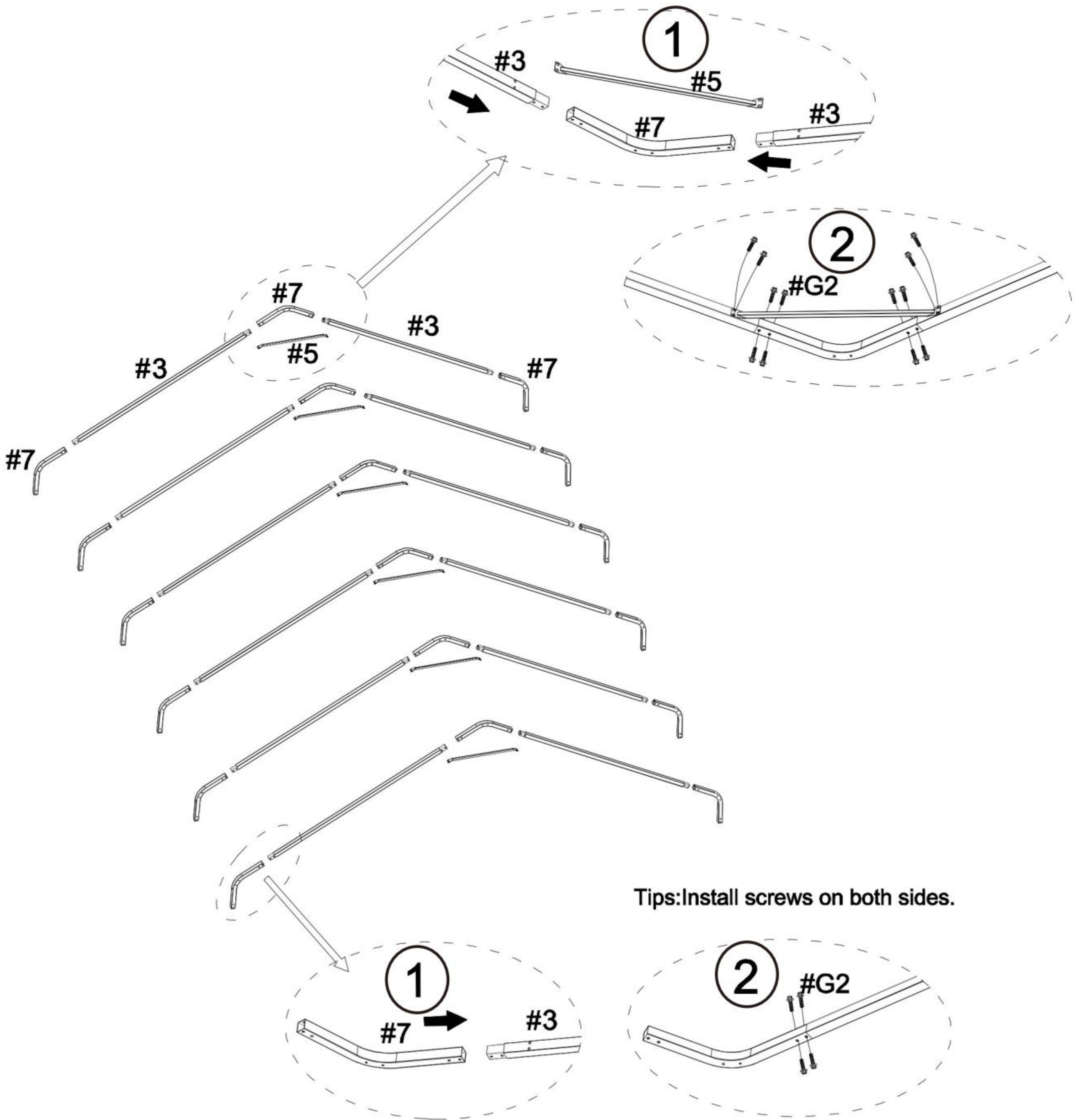
Part No.	Part Name	Drawing	Qty
#1	Side pole 1		10PCS
#2	Side pole 2		5 PCS
#3	Straight peak pole		12 PCS
#4	Leg pole		12 PCS
#5	Top Reinforcing pole		18 PCS
#6	Ground bar 1		8 PCS
#6a	Ground bar 2		2 PCS
#7	Connector		18 PCS
#8	Ground Reinforcing pole		4 PCS
#9	Side-side defense pole		10 PCS
#10	Side plate 1		3 PCS
#11	Side plate 2		4 PCS
#R	Roof cover		85 PCS
#G1	M5X20 Self-Tapping screws		322PCS
#G1a	M5X25 Self-Tapping screws		24 PCS
#G2	Socket head bolt		314 PCS
#G3	Expansion screws		26 PCS
#G4	Socket head bolt & Nut		38 PCS
#L	Gloves		2 pairs
#Y1	Waterproof tape		8 PCS
#Y2	Anti-cut tape		20 M
#Y3	Enclosure		5 PCS
#Y4	Beads of rope		60PCS

# STEP 1: Assemble the Top Frame




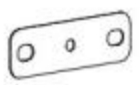

#3		X12
#5		X6
#7		X18
#G2		X120

**Notice:**

The linking screws in this step are all: Socket Head Bolt (#G2)

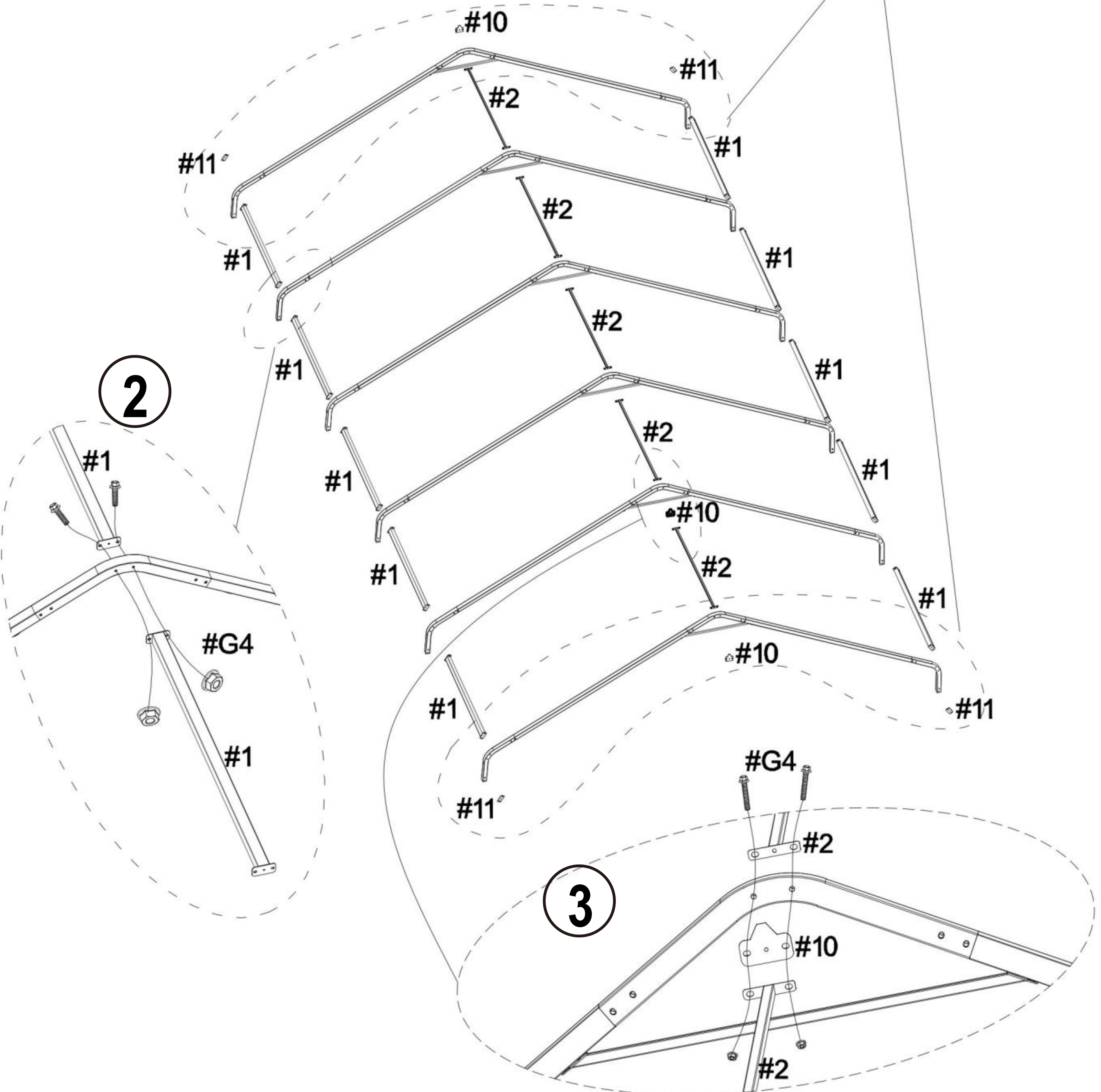
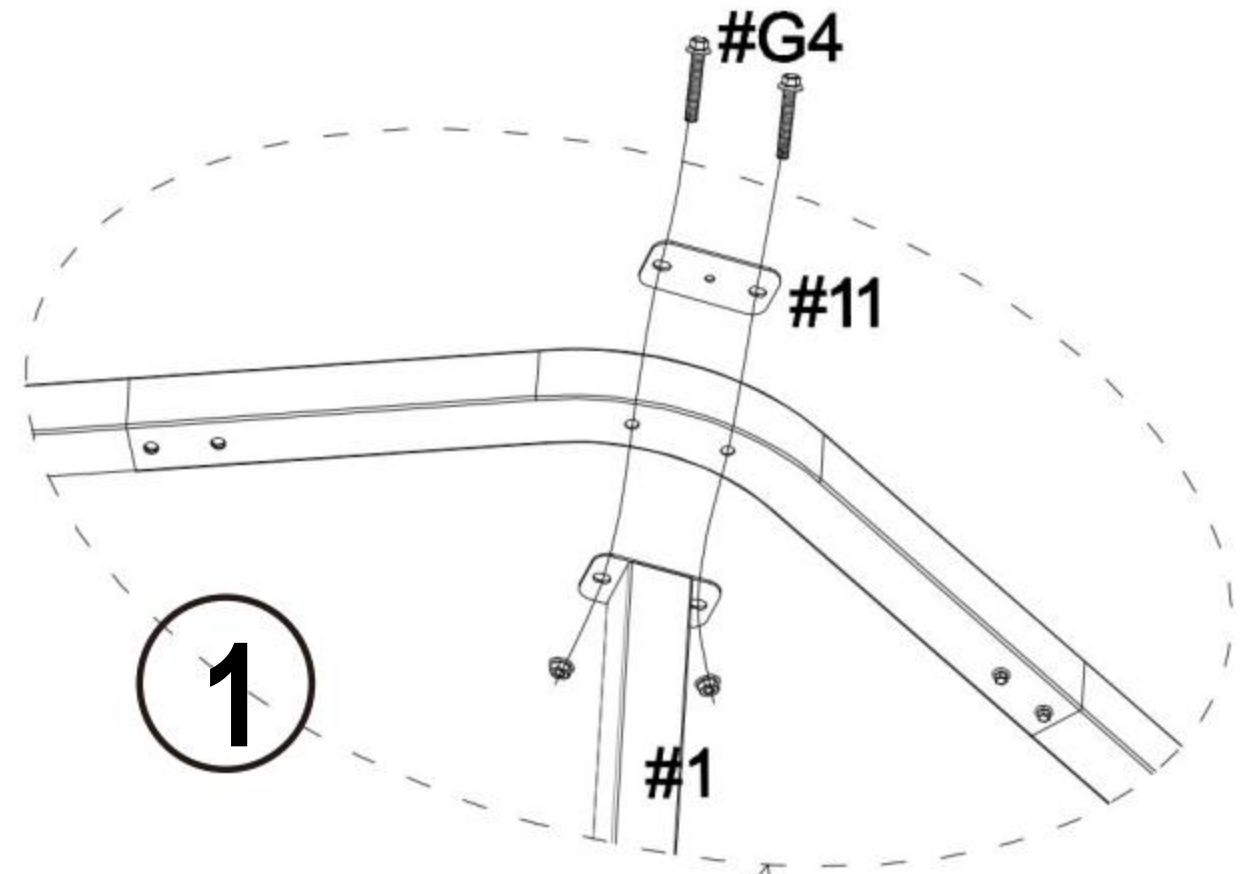


# STEP 2:

#1		X10
#2		X5
#10		X3
#11		X4
#G4		X36

**Notice:**

The linking screws in this step are all: Socket Head Bolt (#G4)



## STEP 3: Install the Top Roof

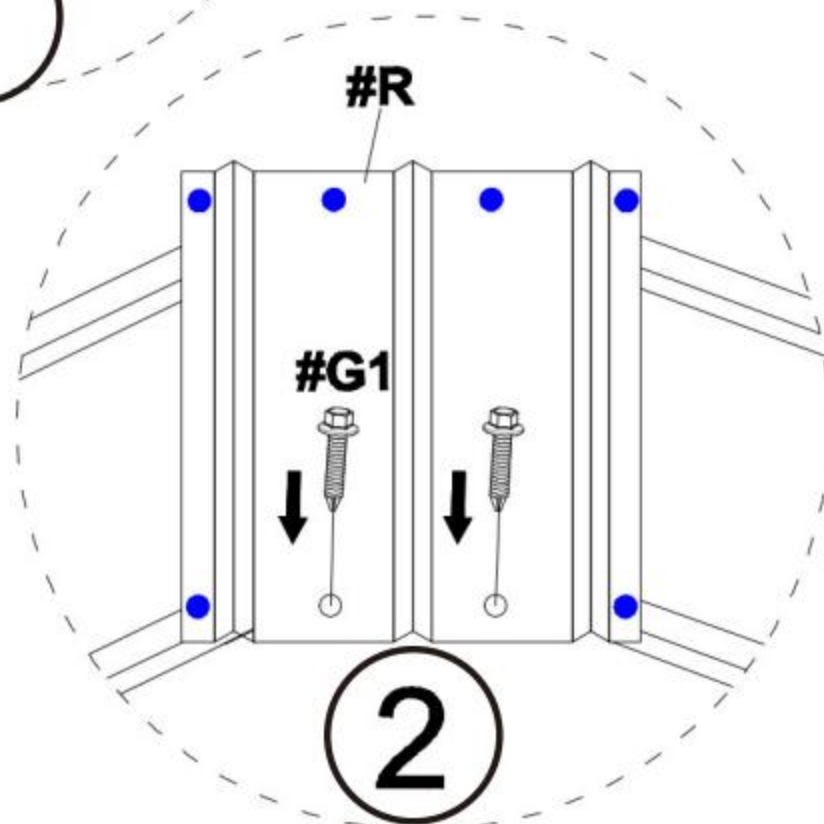
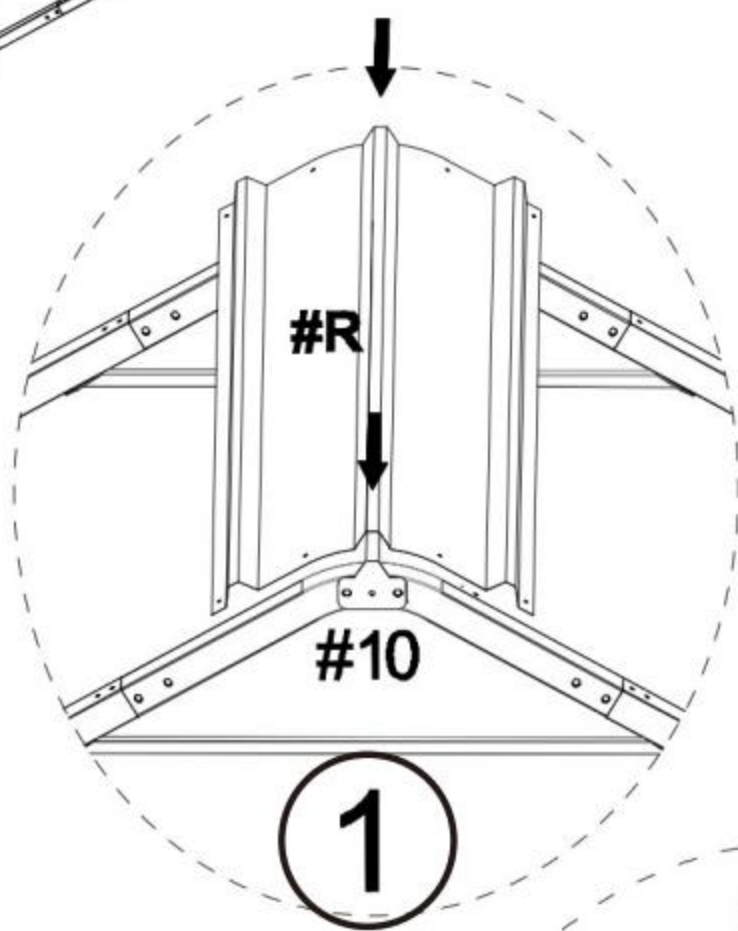
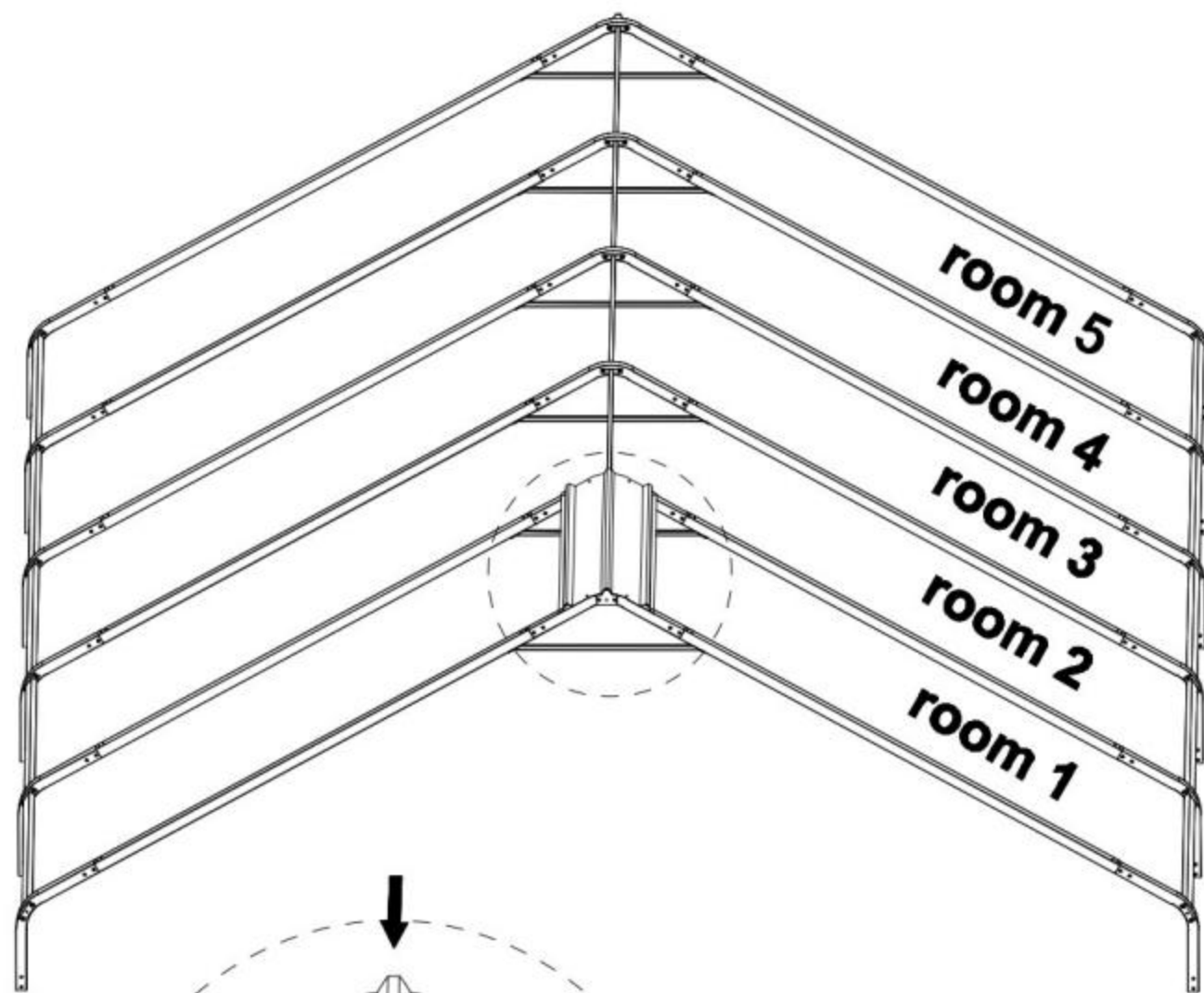
Install all the Roof Cover (#R) to the top frame. The linking screws in this step are all: Self-Tapping Screws (#G1), as shown in the picture.

Notice:




1. The meaning of different colored holes in the Roof Cover (#R);

- Blue hole: no screws here right now.
- Black hole: nonal installation

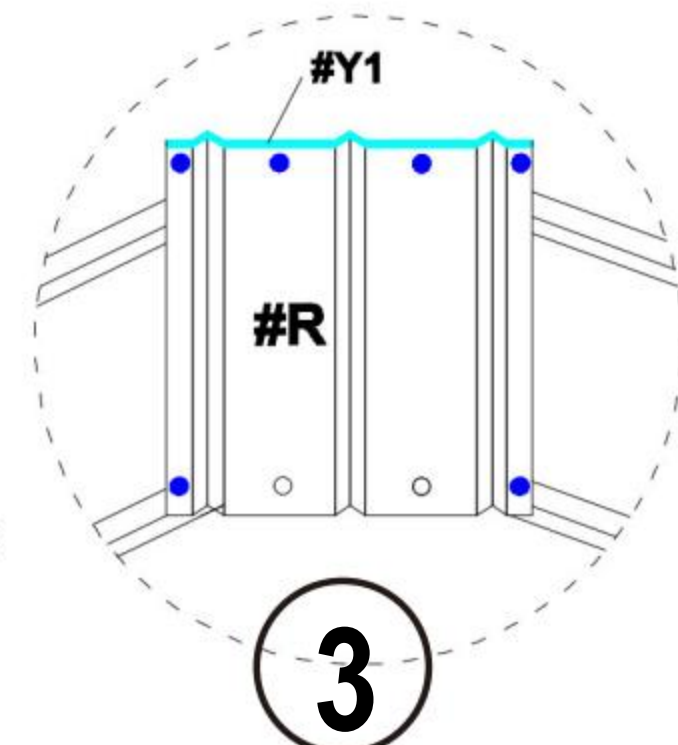
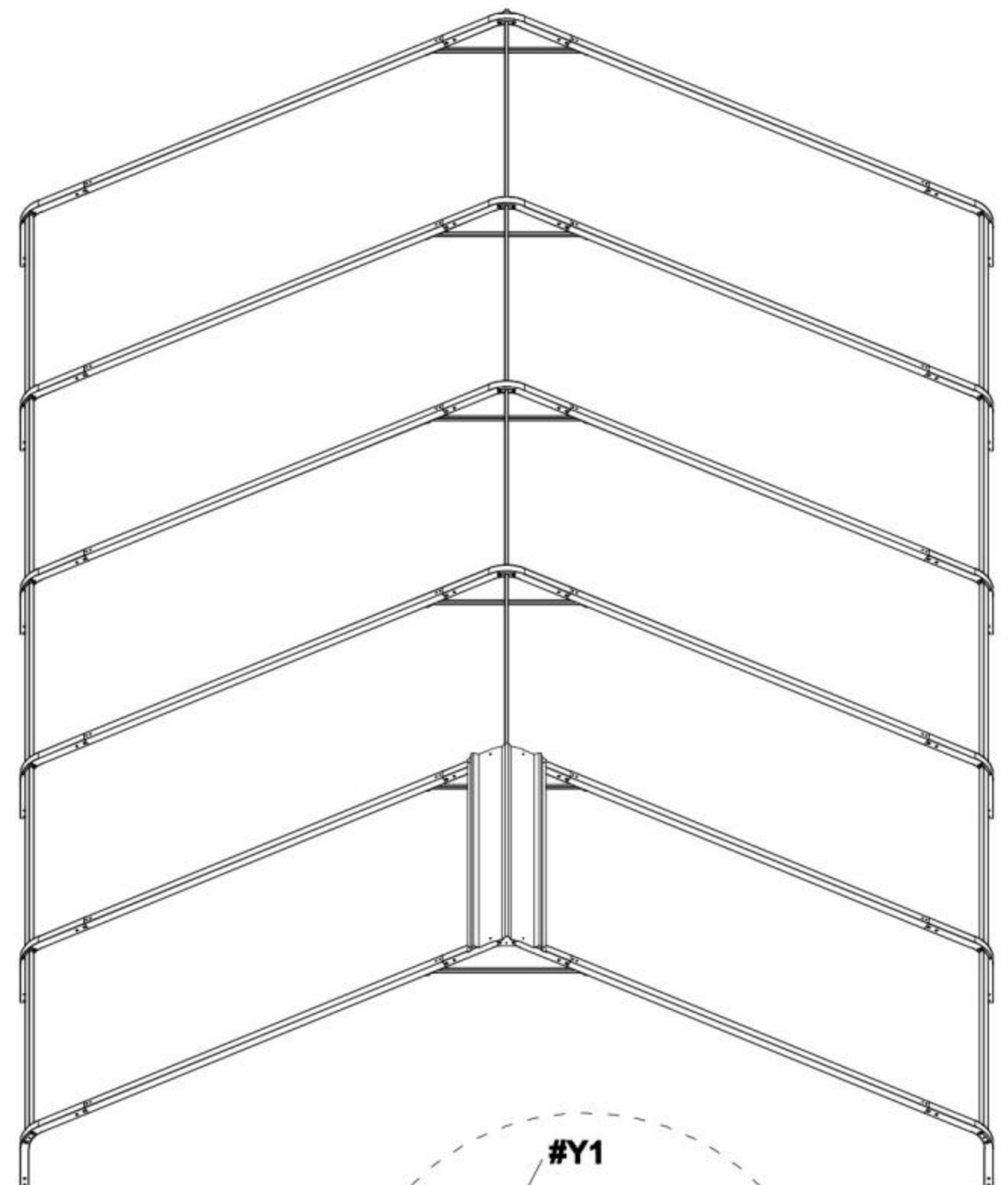
1) Starting from the top middle of room 1 to room 5, install the first row of Roof Covers (#R).



When installing the first piece of roof covering, place the middle slot of the tile at the gasket #10 bump for easy reinforcement with screws

#R		X1
#Y1		X8
#G1		X2




2) When installing each Roof Cover (#R), you need to use Waterproof Tape (#Y1) as shown in the picture.



# STEP 4:

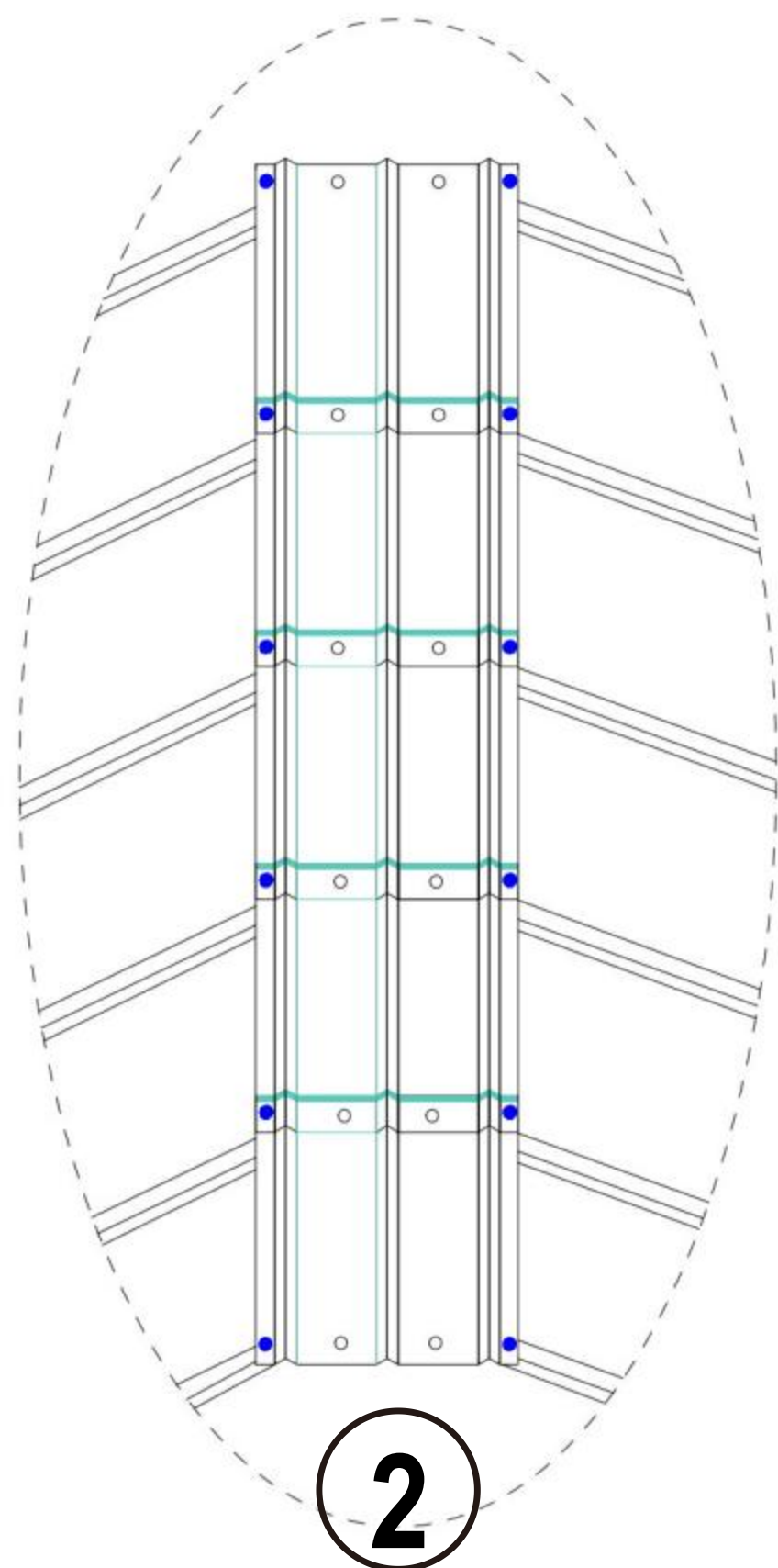
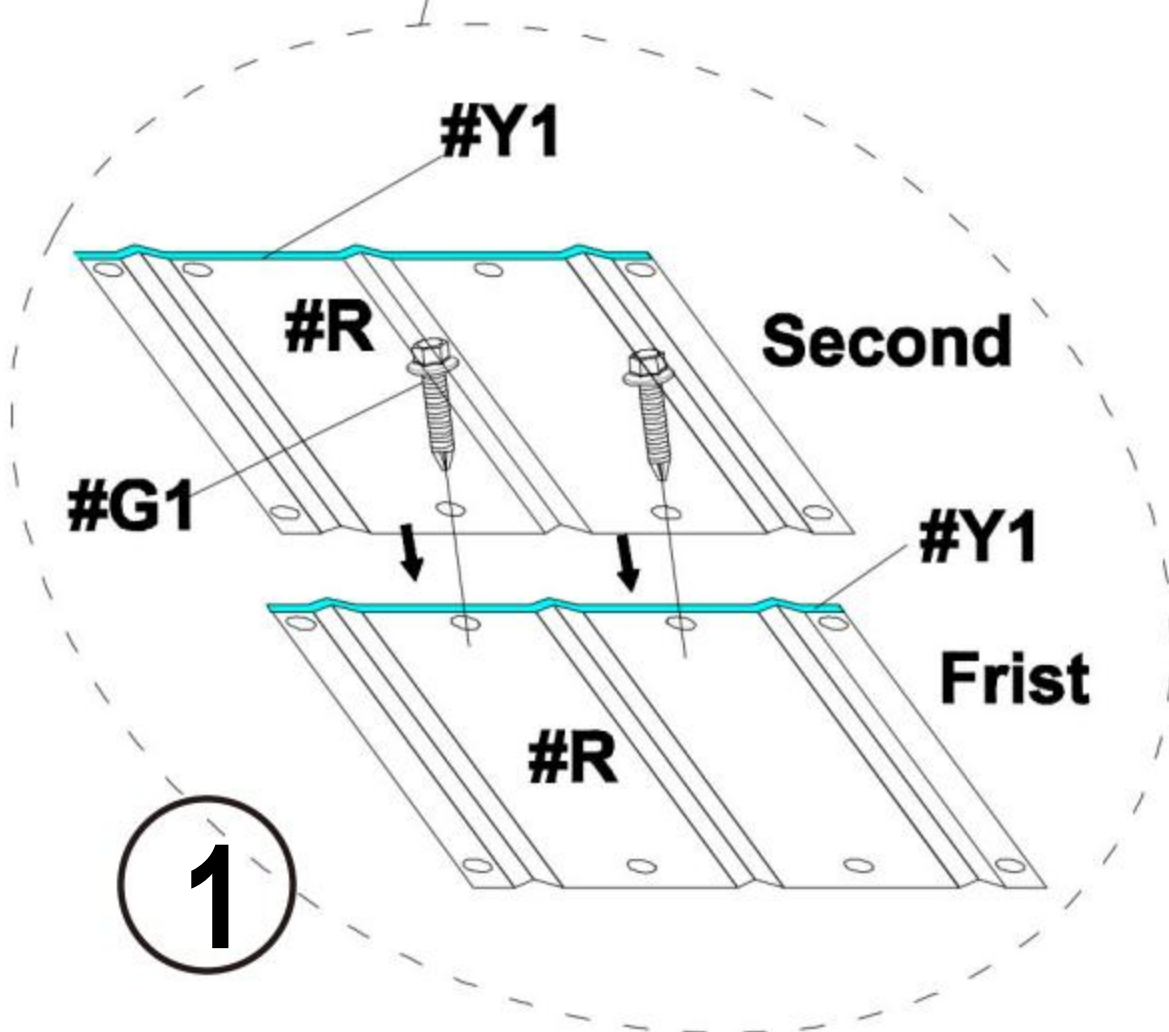
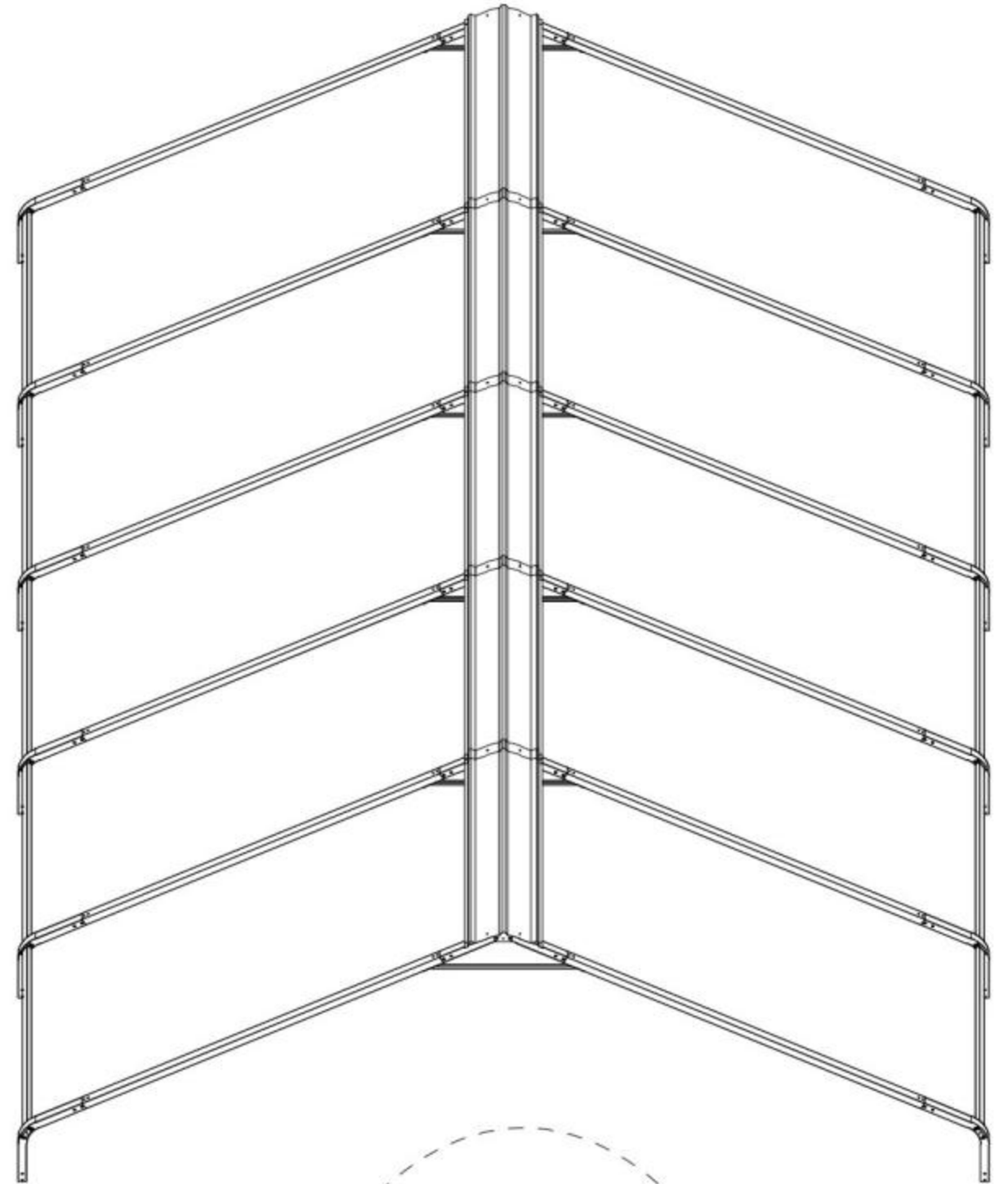
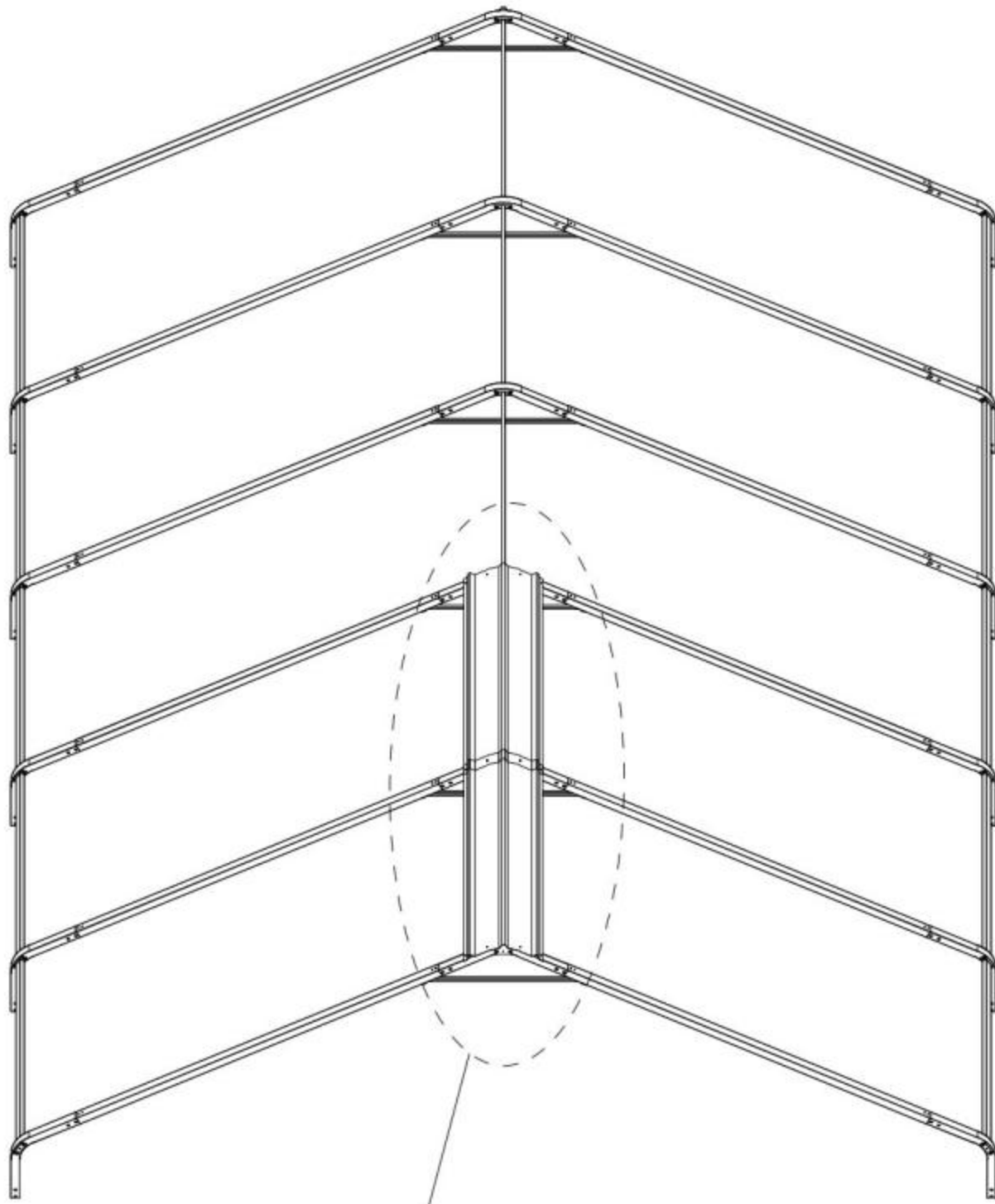
## Notice:

1. Make sure that the screw holes are aligned, and then press the Waterproof Tape (#Y1)
2. Make sure there are no gaps between the two roof covers to prevent water leakage

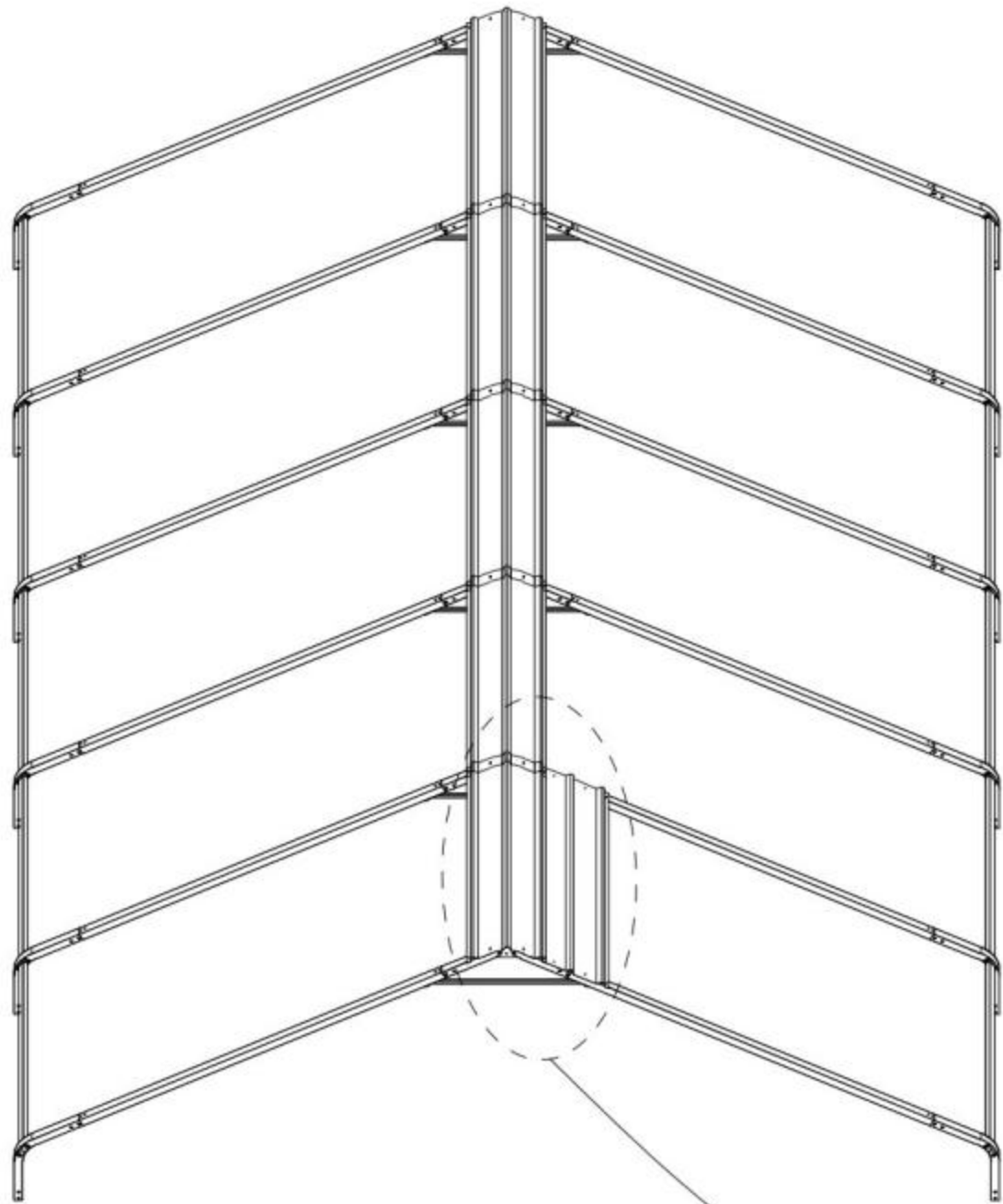
#R		X4
#Y1		
#G1		X10



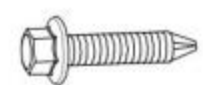
3.1) The second Roof Cover (#R) needs to be placed on the first Roof Cover (#R)

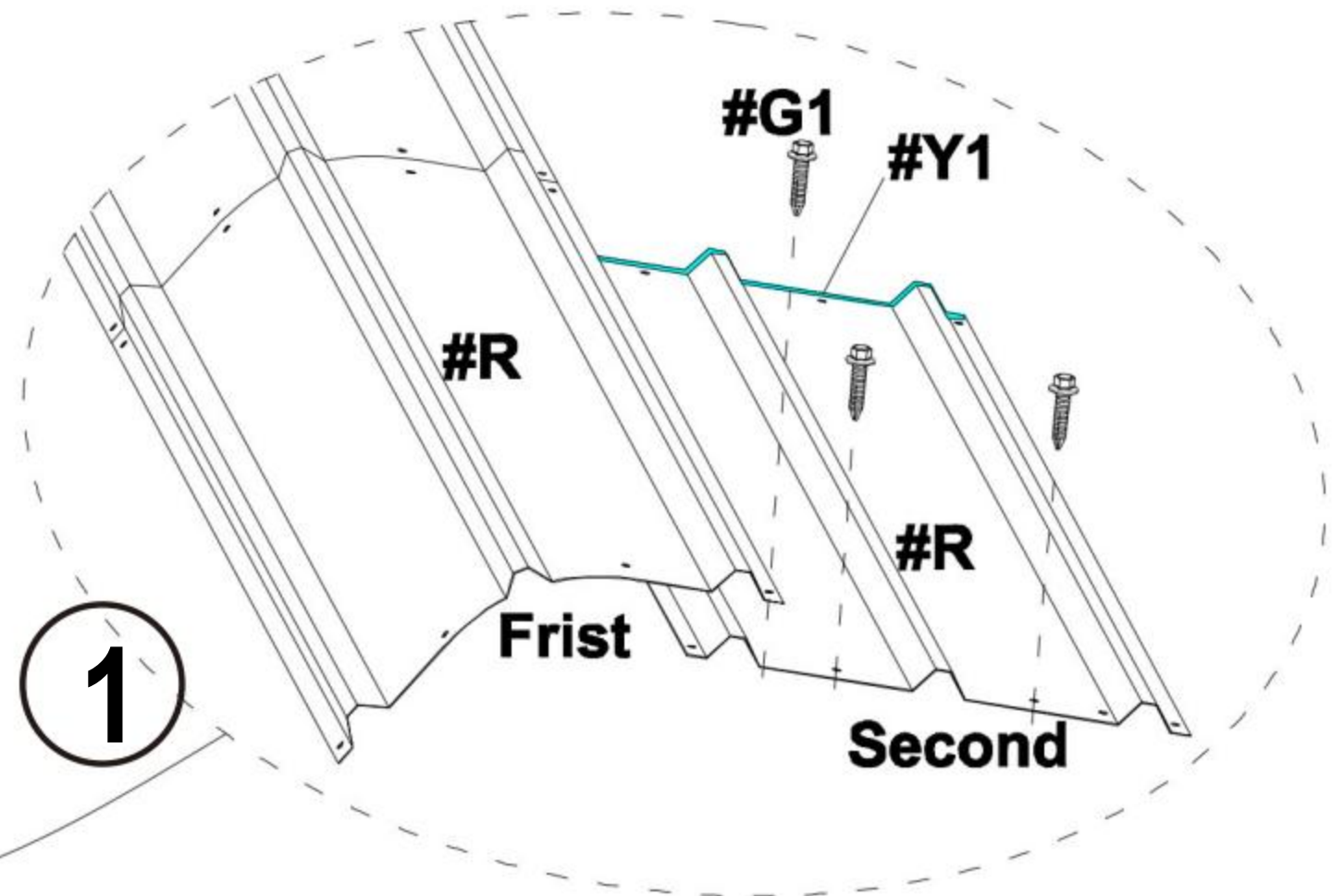
3.2) Follow the previous steps and continue to install the remaining Roof Cover (#R) in the middle row.



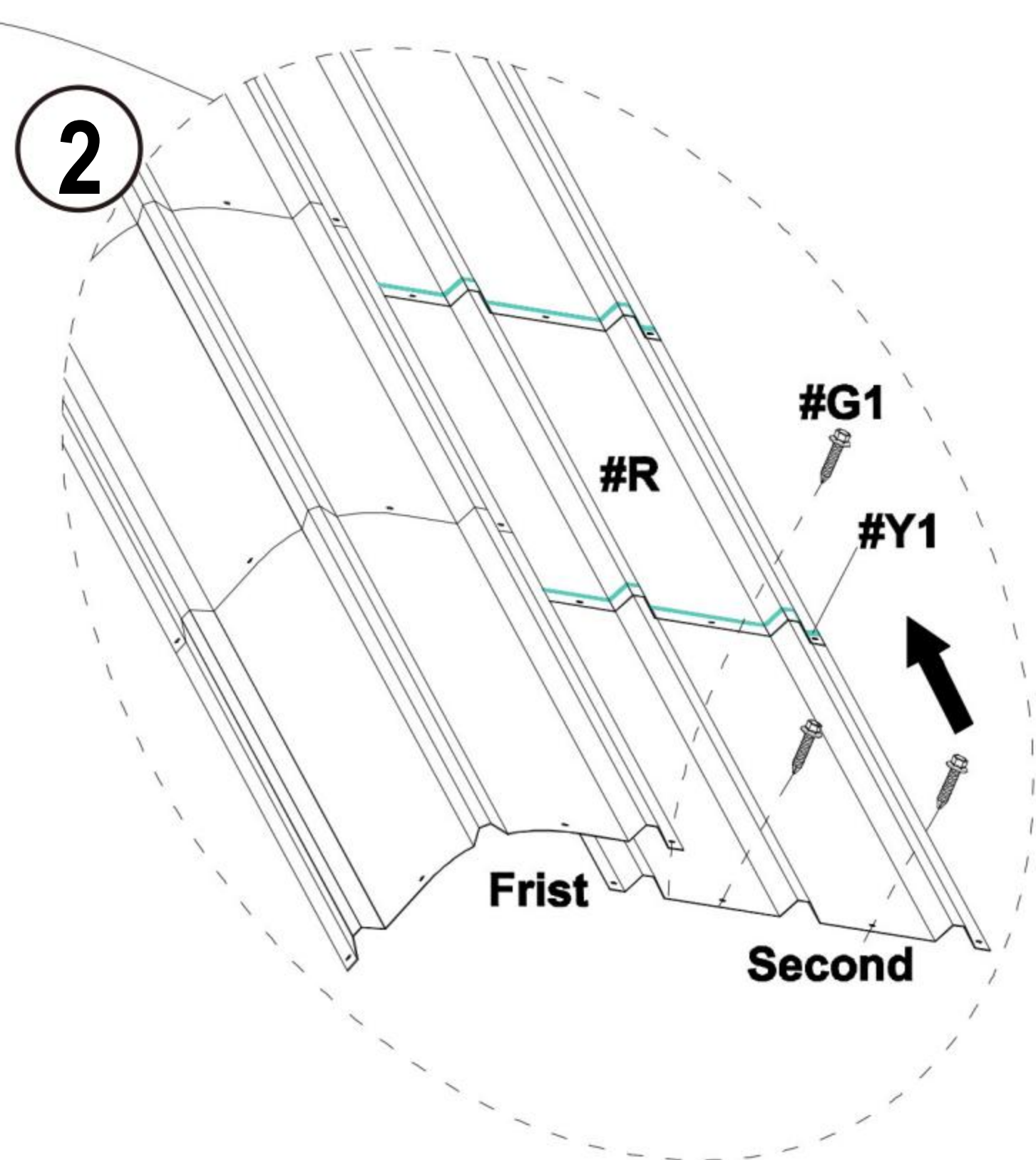
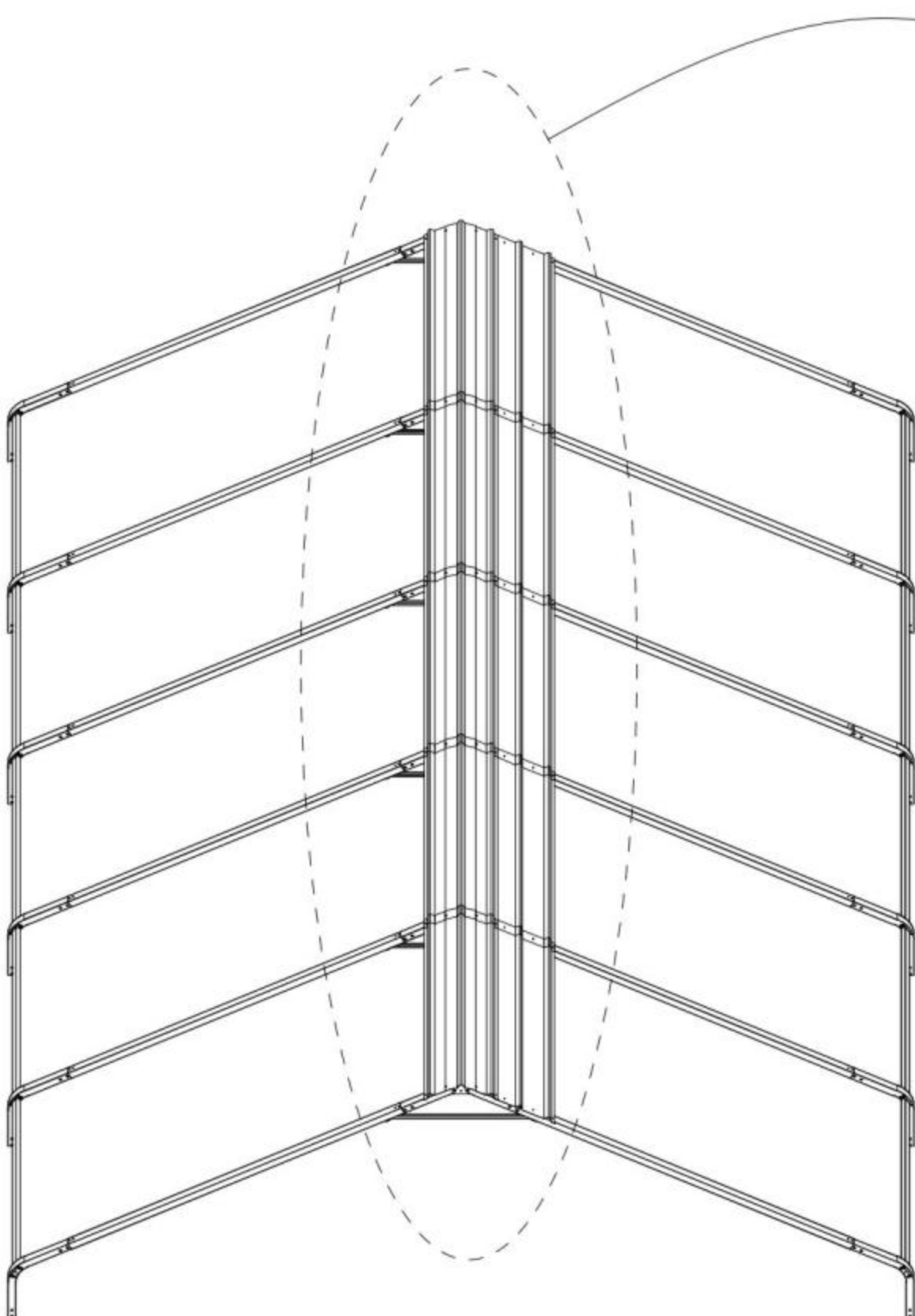
4.1) After installing the middle row, continue to install the 4 rows on the right. Each newly installed Roof Cover (#R) in a row needs to be placed below the Roof Cover (#R) in the previous row, as shown in the picture.






#R		X5
#Y1		
#G1		X18

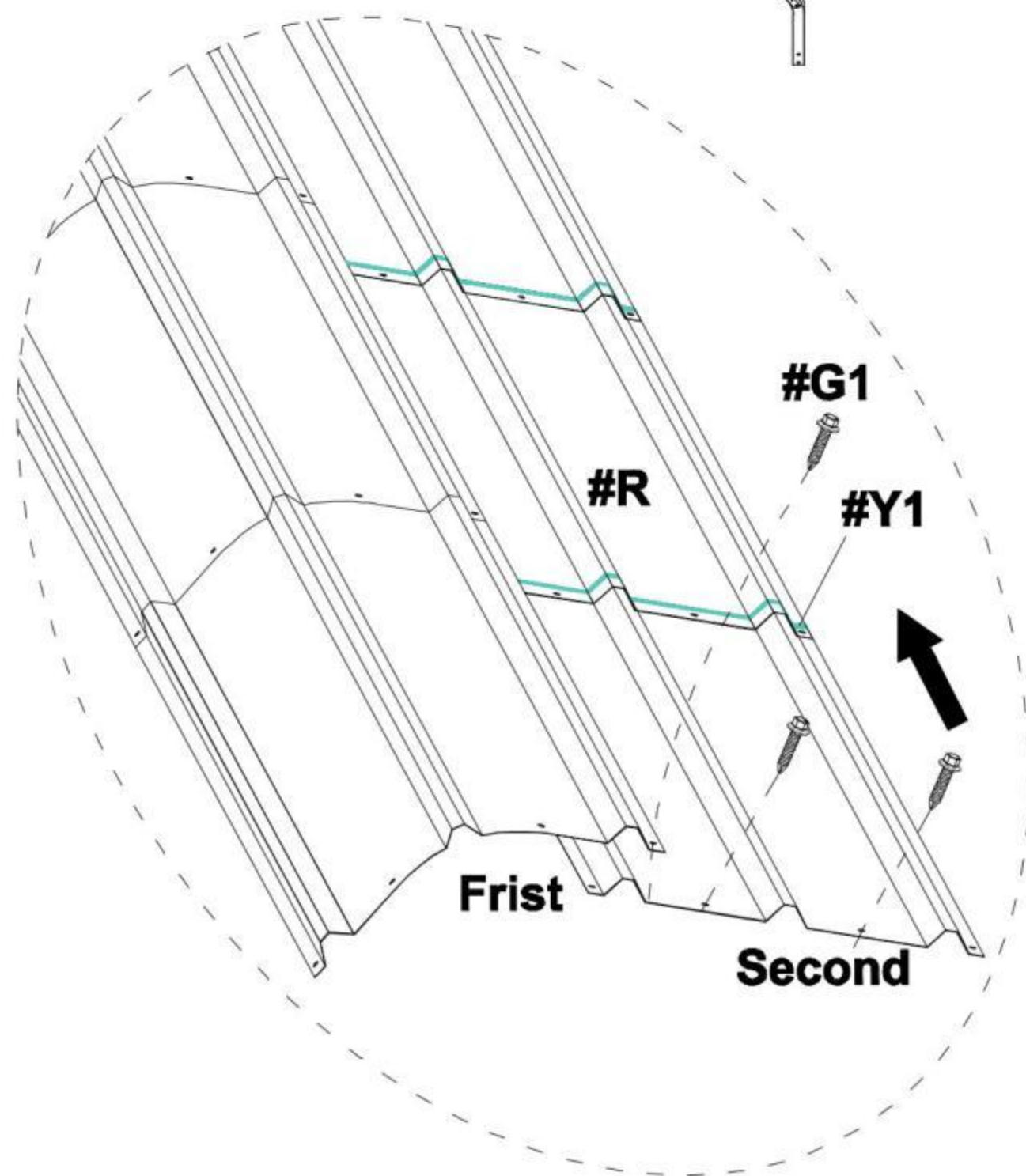
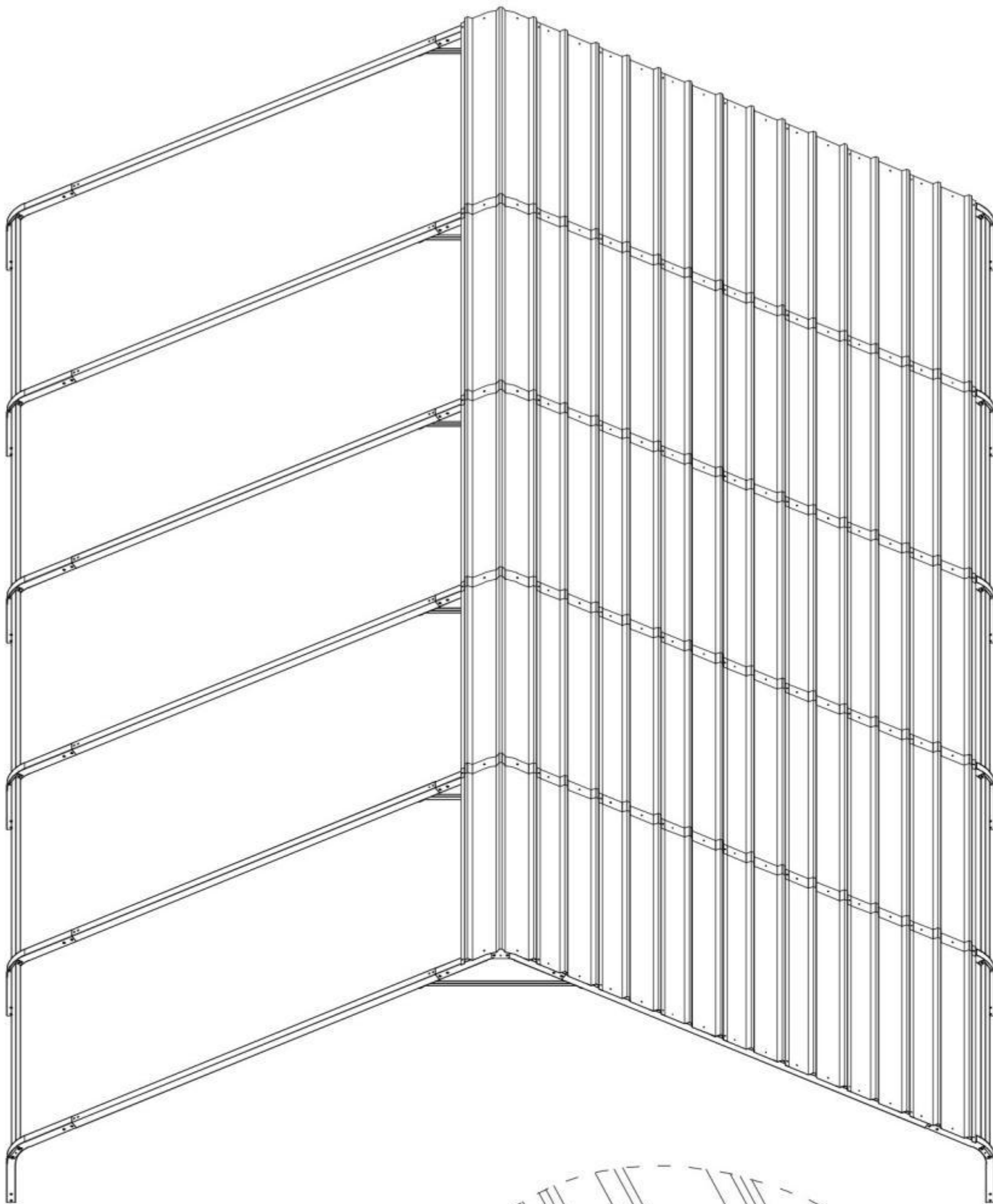


4.2) Same as the previous step, after pasting the Waterproof Tape (#Y1) of Roof Covers (#R), install the next Roof Covers (#R).






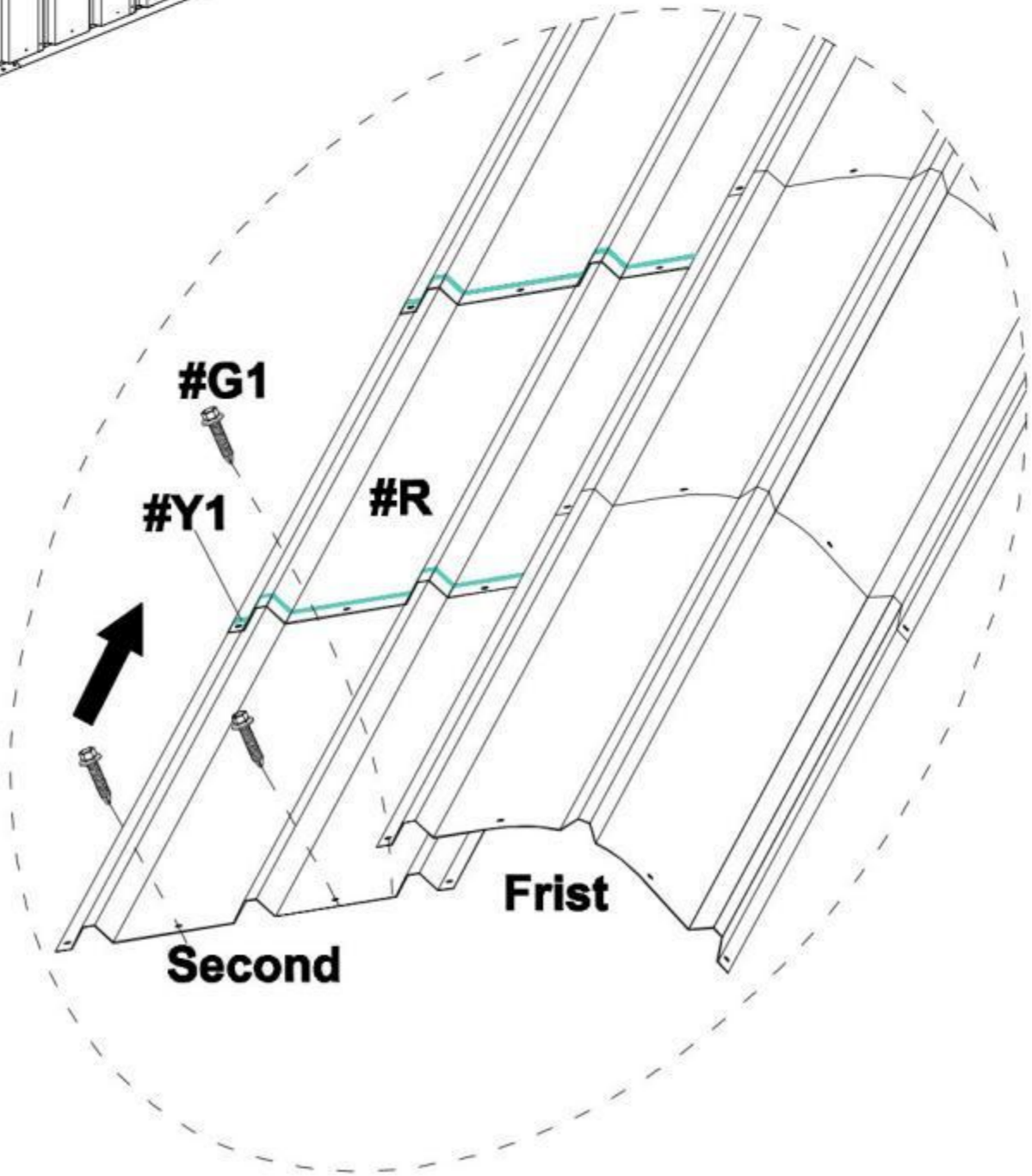
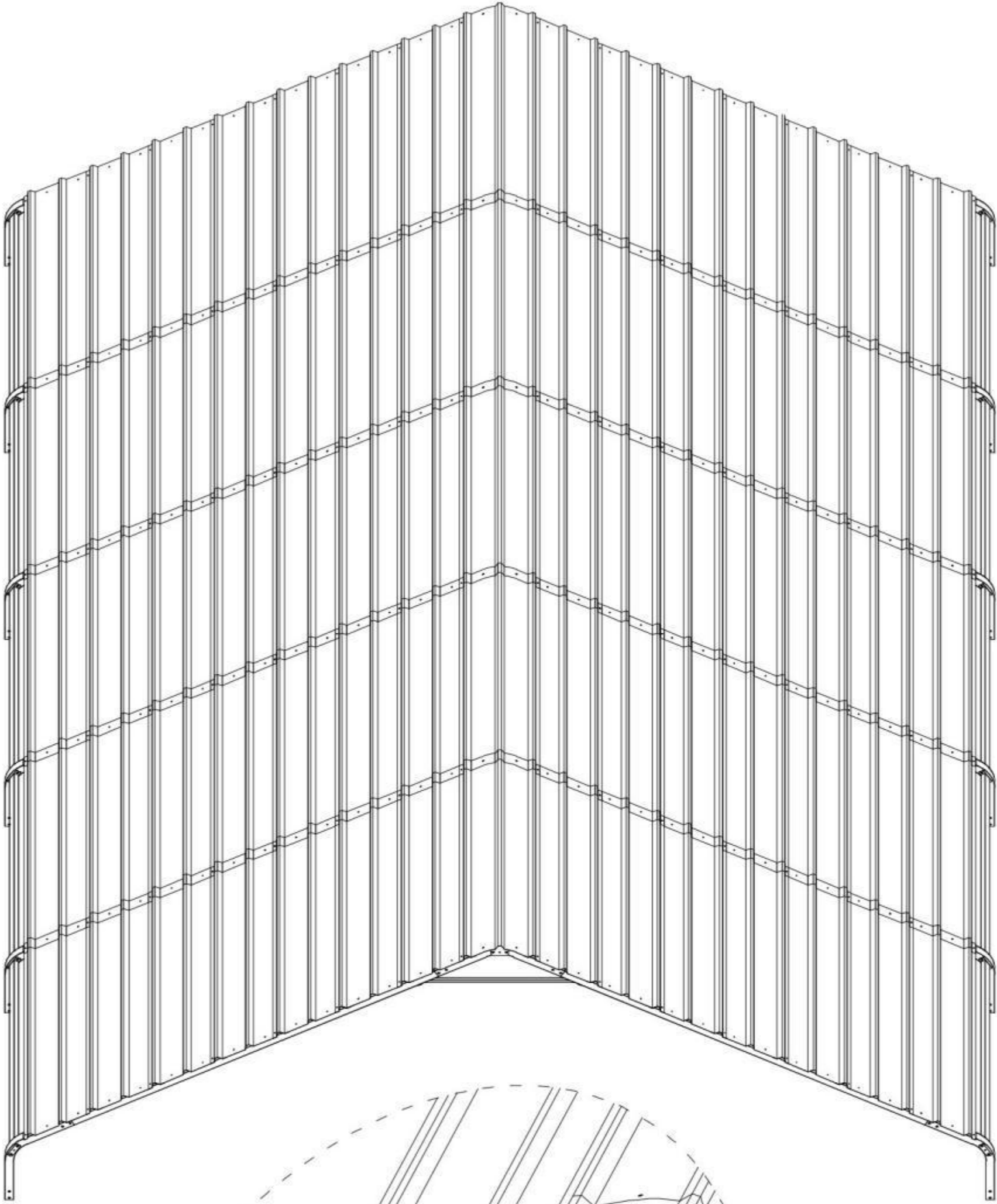
4.3) Follow the previous steps and continue to install the Roof Cover (#R) in the remaining 6 rows on the right.

#R		X30
#Y1		
#G1		X108



5.2) Same as the installation steps for the 6 rows on the right, please complete the installation of Roof Cover(#R) of the 7 rows on the left.

#R		X35
#Y1		
#G1		X126

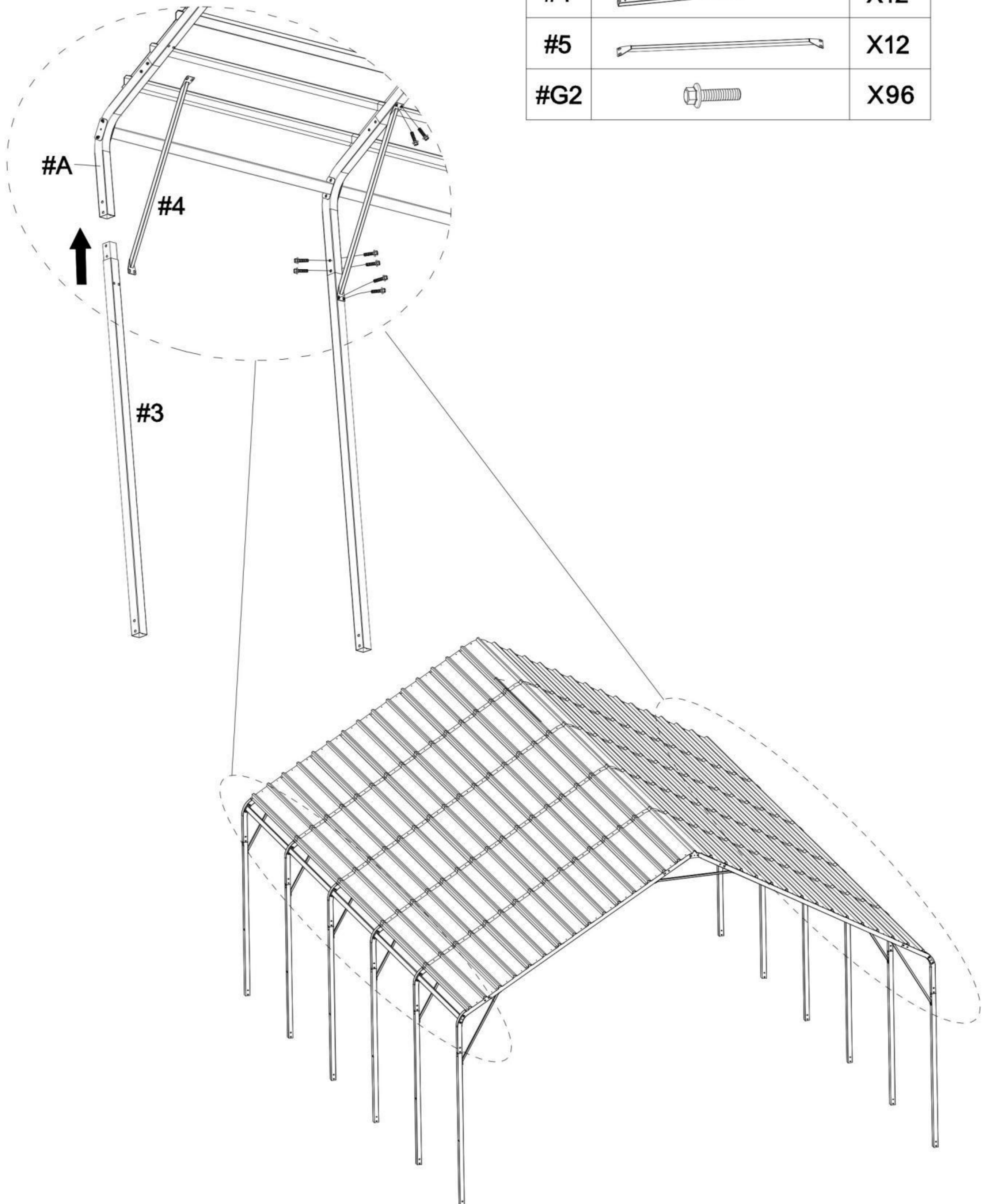


## STEP 5: Connect Legs

1) Install Leg Pole(#4) and Top Reinforcing pole(#5) to the Connector(#7).



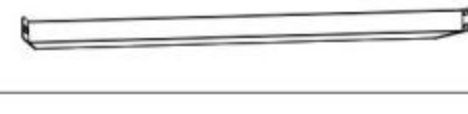

2) The linking screws in this step are all: Hex Head Cap Bolt (#G2) .

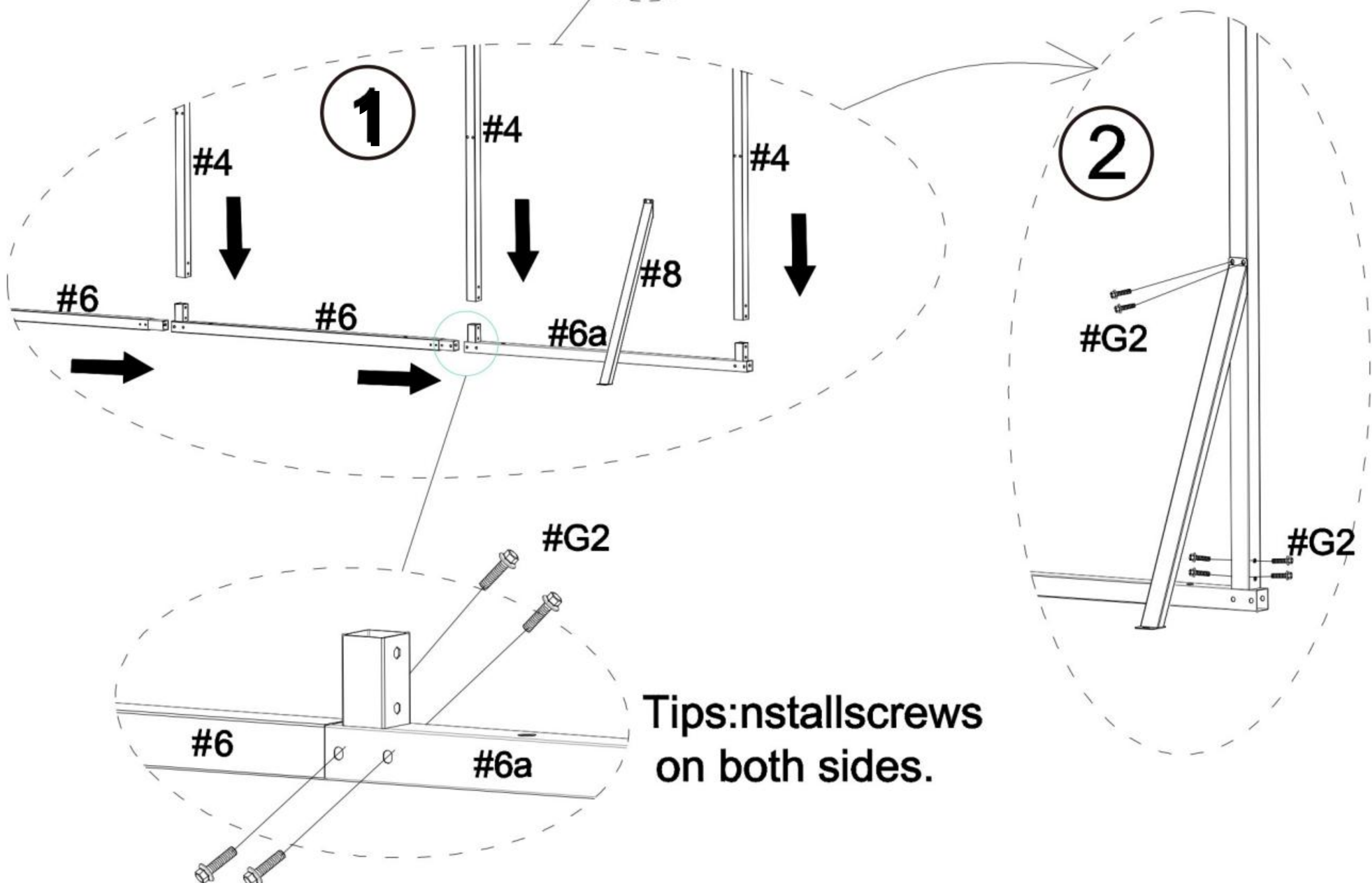
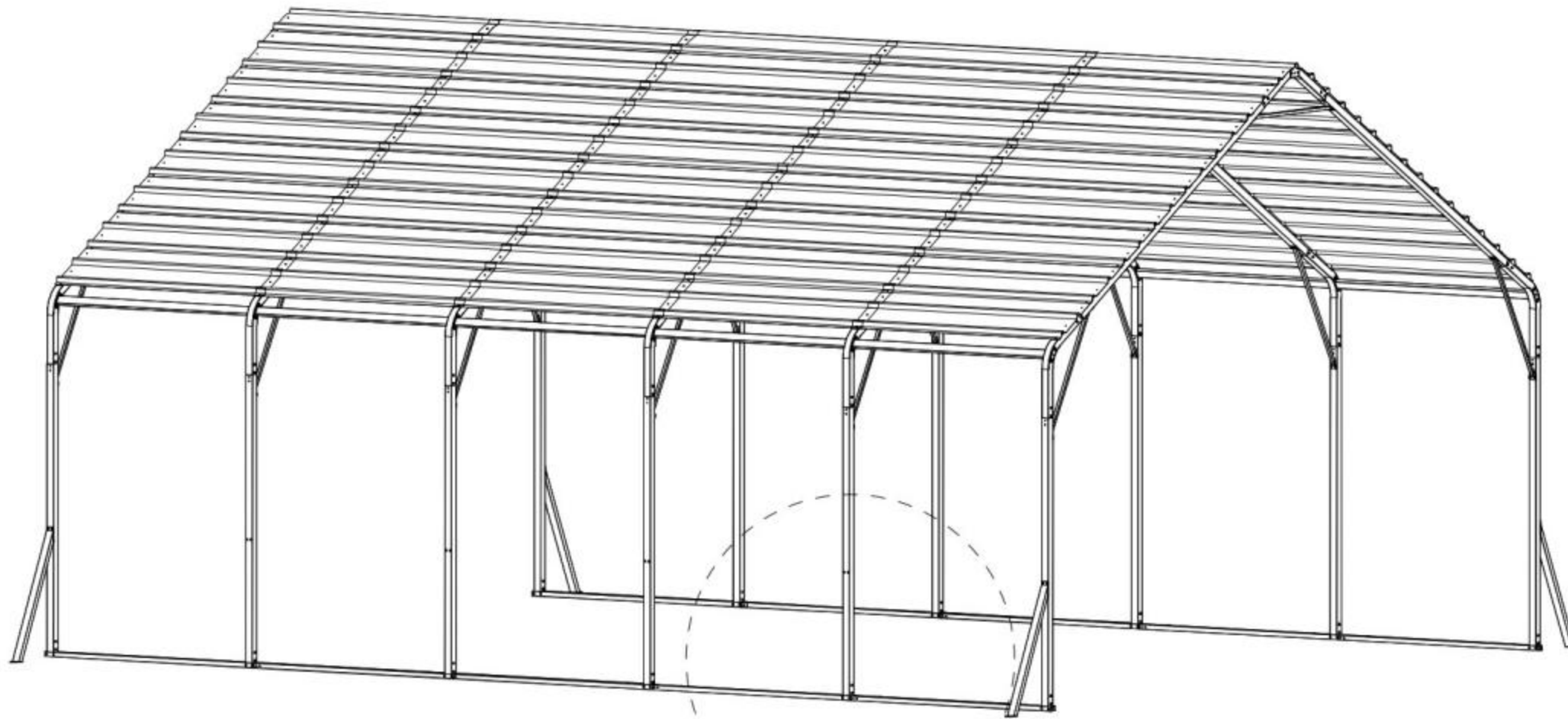
#4		X12
#5		X12
#G2		X96



## STEP 6: Reinforce the Frame

- 1) Connect all the Leg Pole (#4) to Ground bar 1 (#6) and Ground bar 2 (#6a)
- 2) The linking screws in this step are all: Hex Head Cap Bolt (#G2) and Expansion screws (#G3).

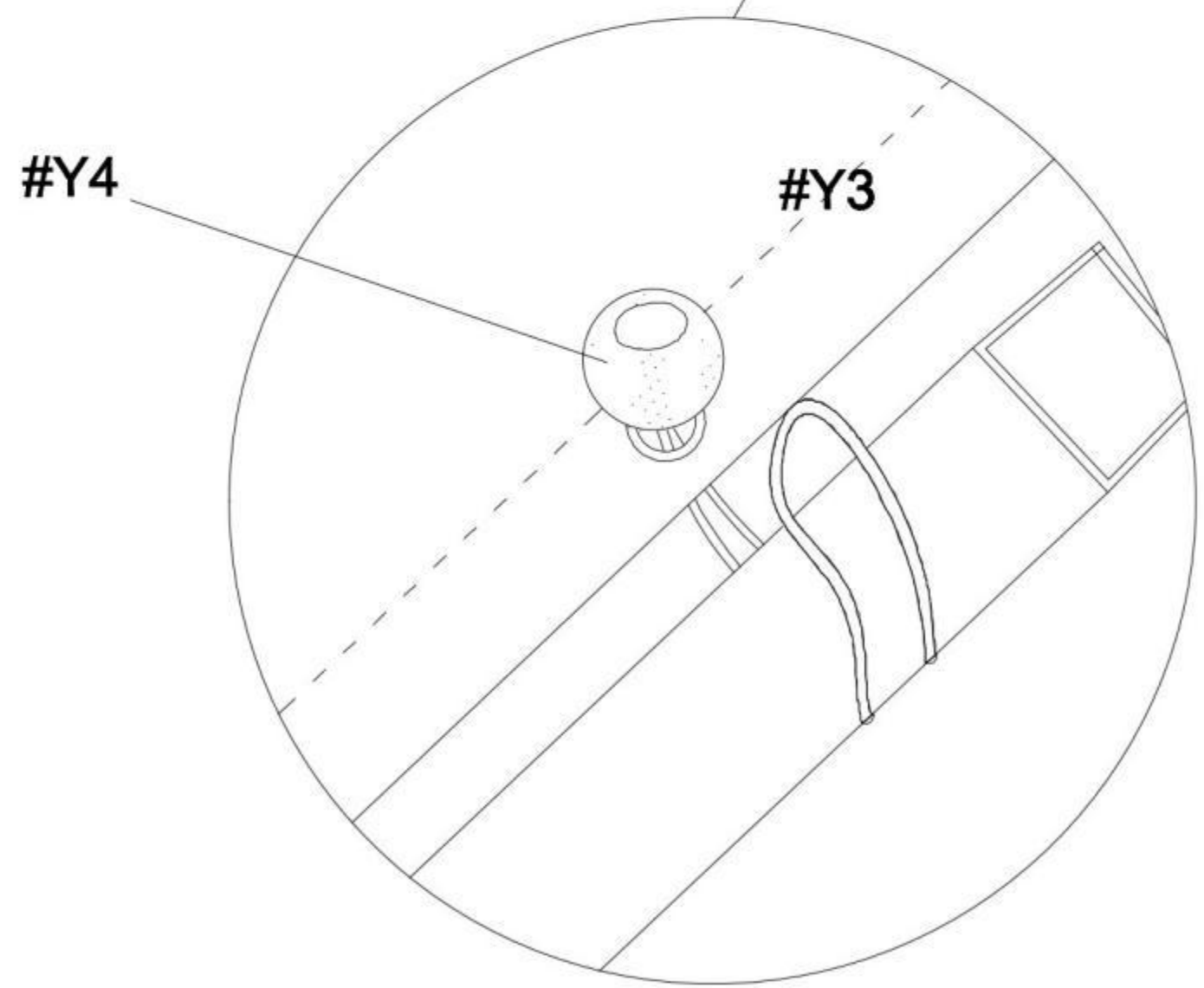
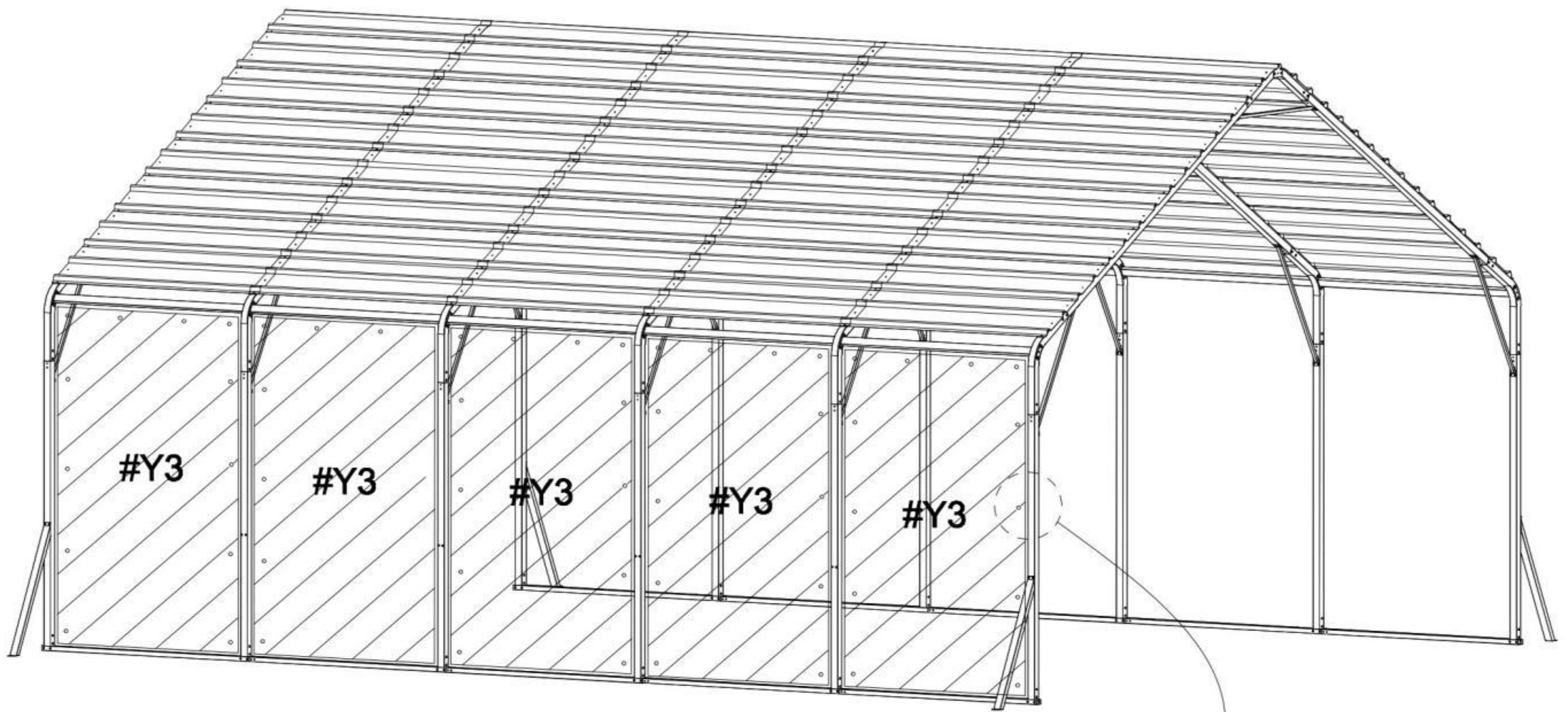
#6		X8
#6a		X2
#8		X4
#G2		X88



# STEP 7: Reinforce the Frame

Secure 5 wall cloths (#Y3) to the frame with rope beads (#Y4)




#Y3		X5
#Y4		X60

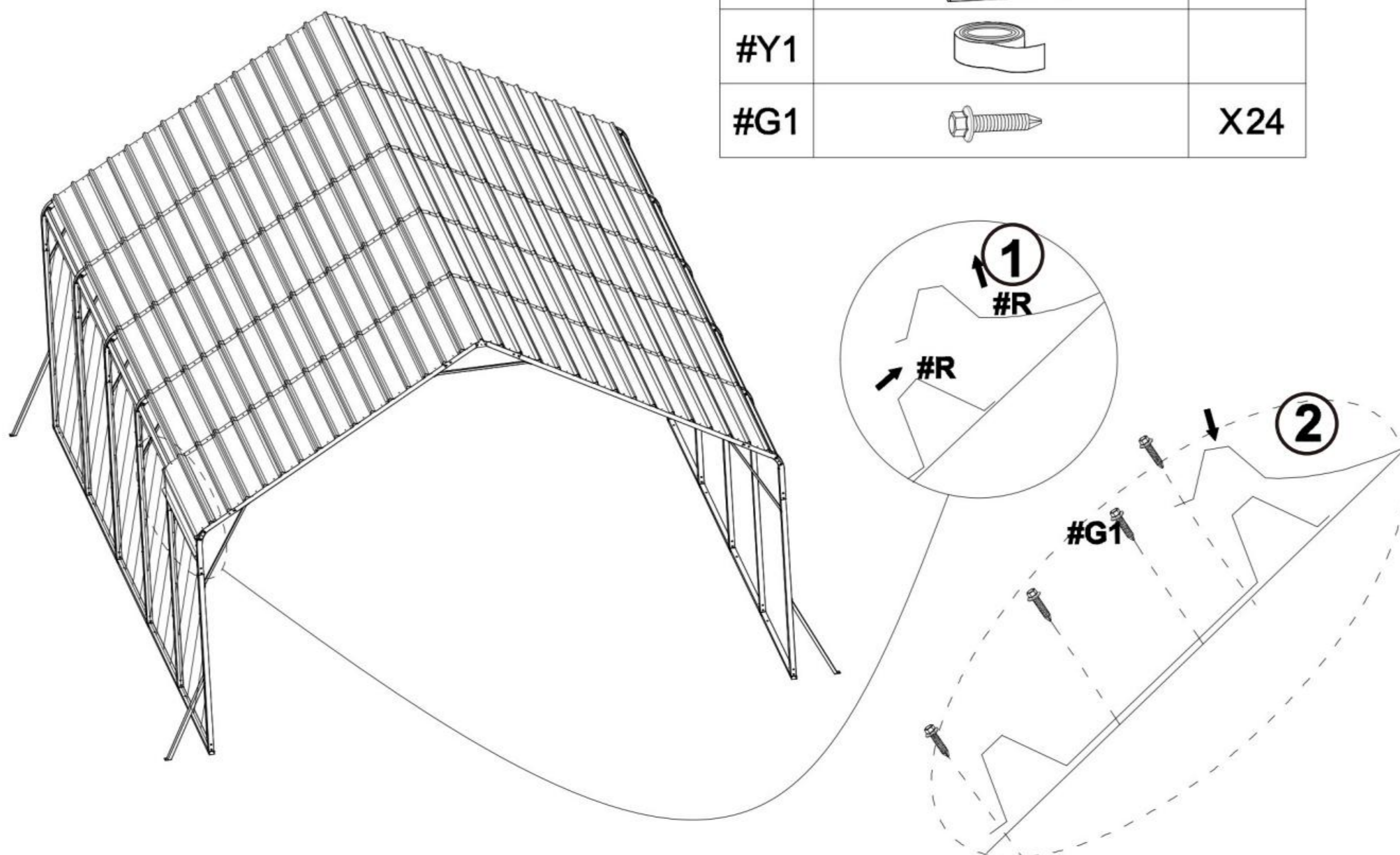


## STEP 8: Install the Side Roof

After installing the Leg Pole(#4), continue to install the Roof Cover (#R) in the 4 rows on the left and right sides.

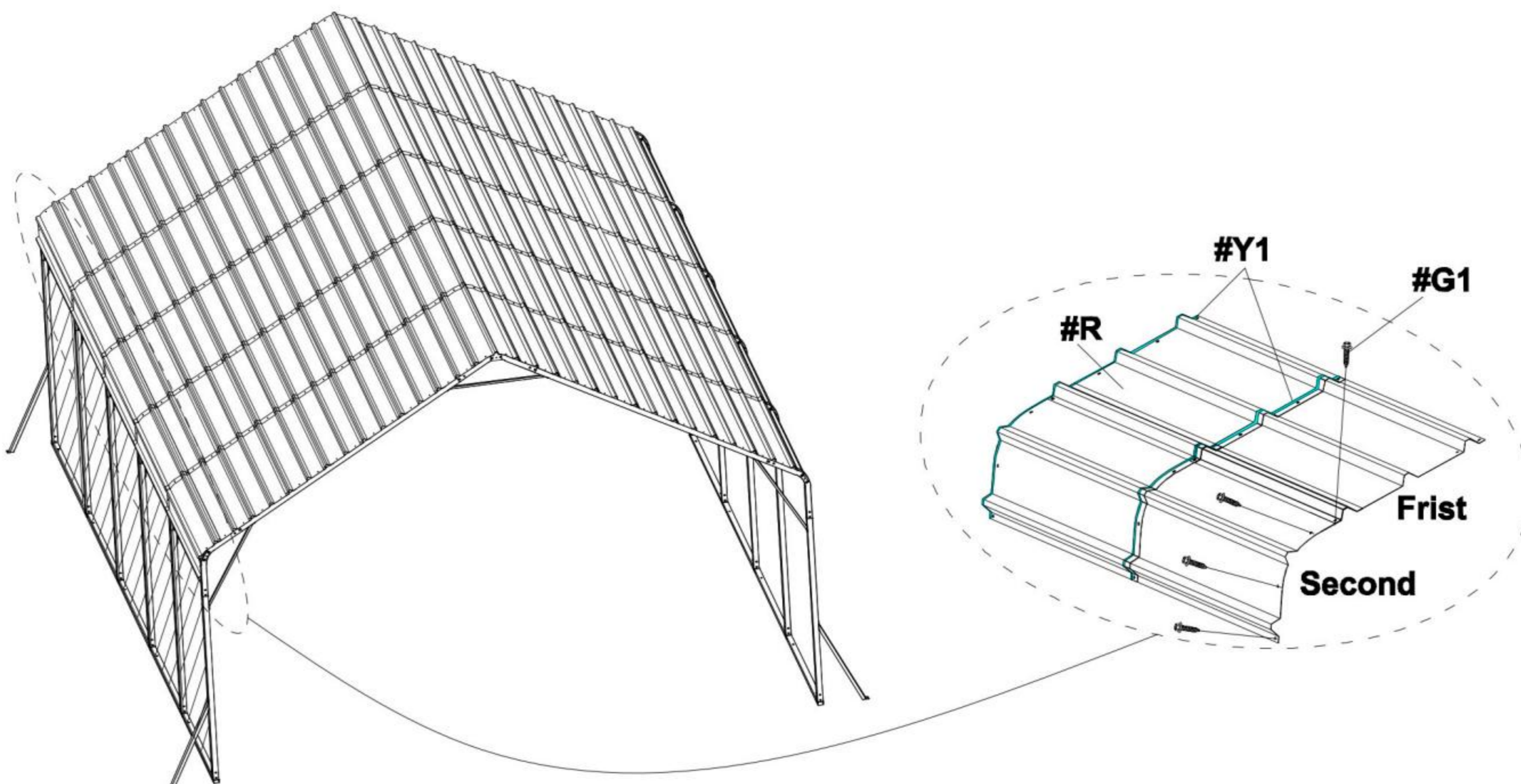
1) First install the Roof Cover (#R) in the left row, as shown in the picture.

#R		X5
#Y1		
#G1		X24

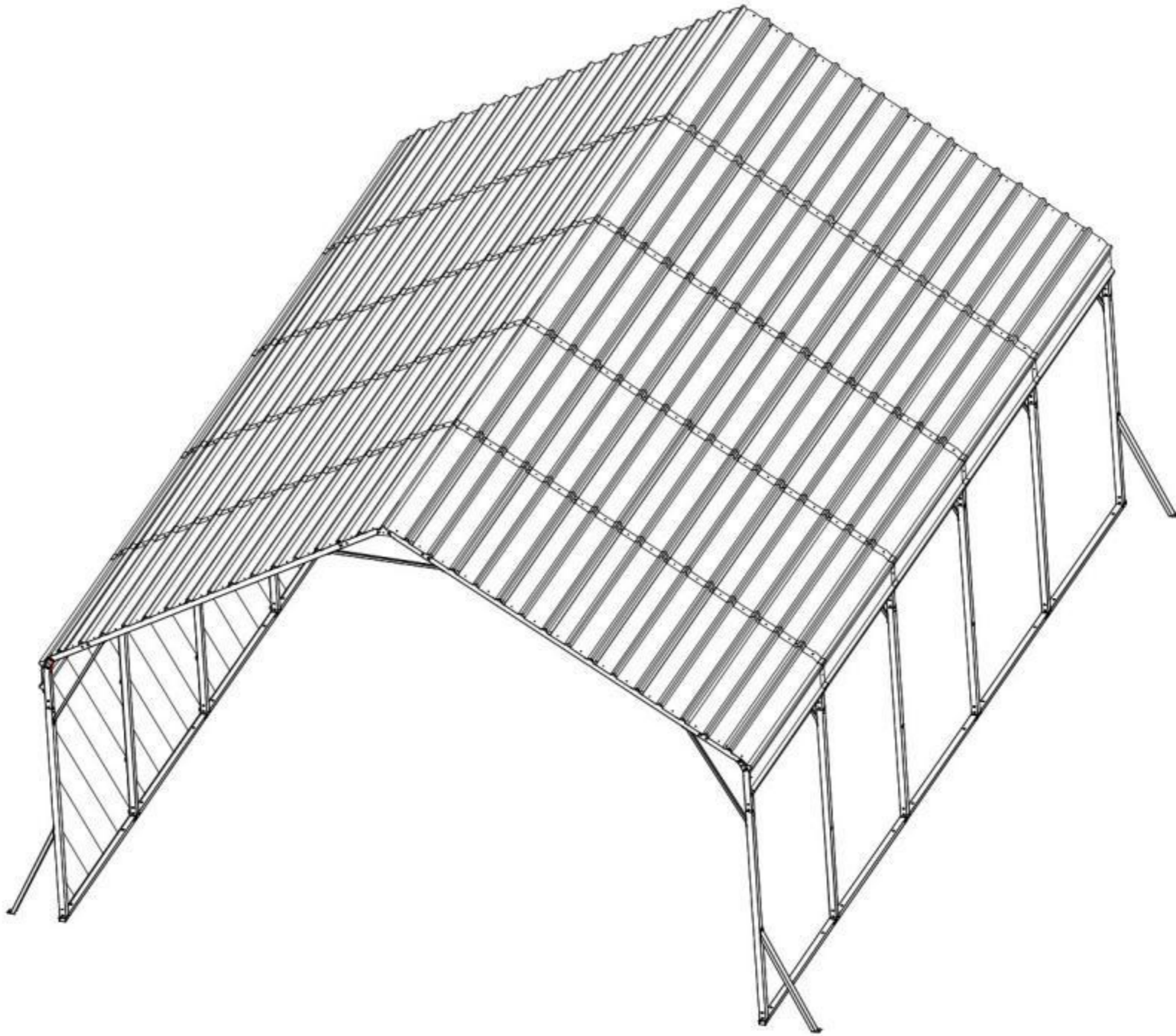




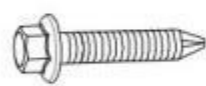

### Notice:

1. Make sure that the screw holes are aligned, and then press the Waterproof Tape (#Y1)
2. Make sure there are no gaps between the two roof covers to prevent water leakage
3. The second Roof Cover (#R) needs to be placed on the first Roof Cover (#R)



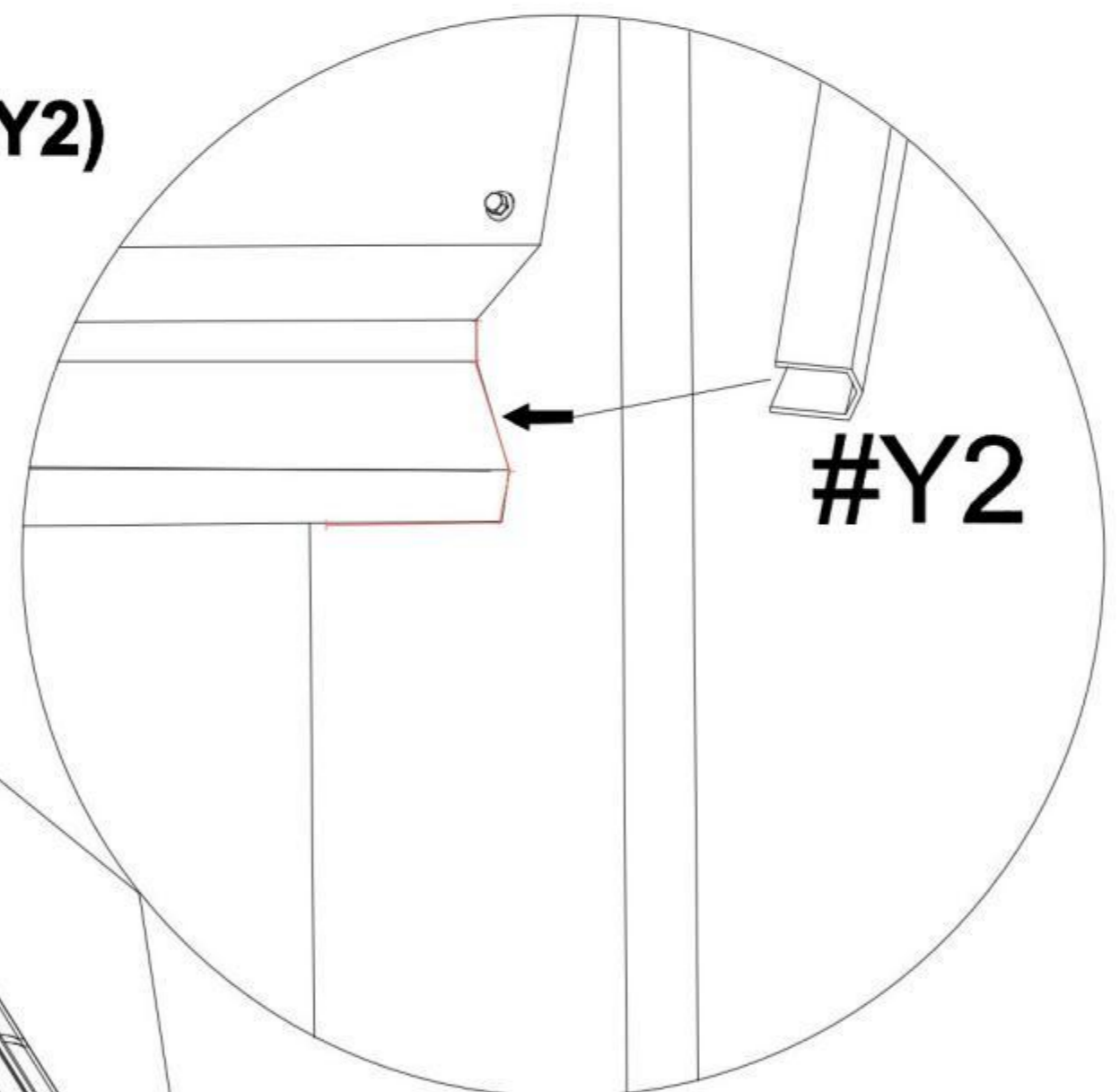
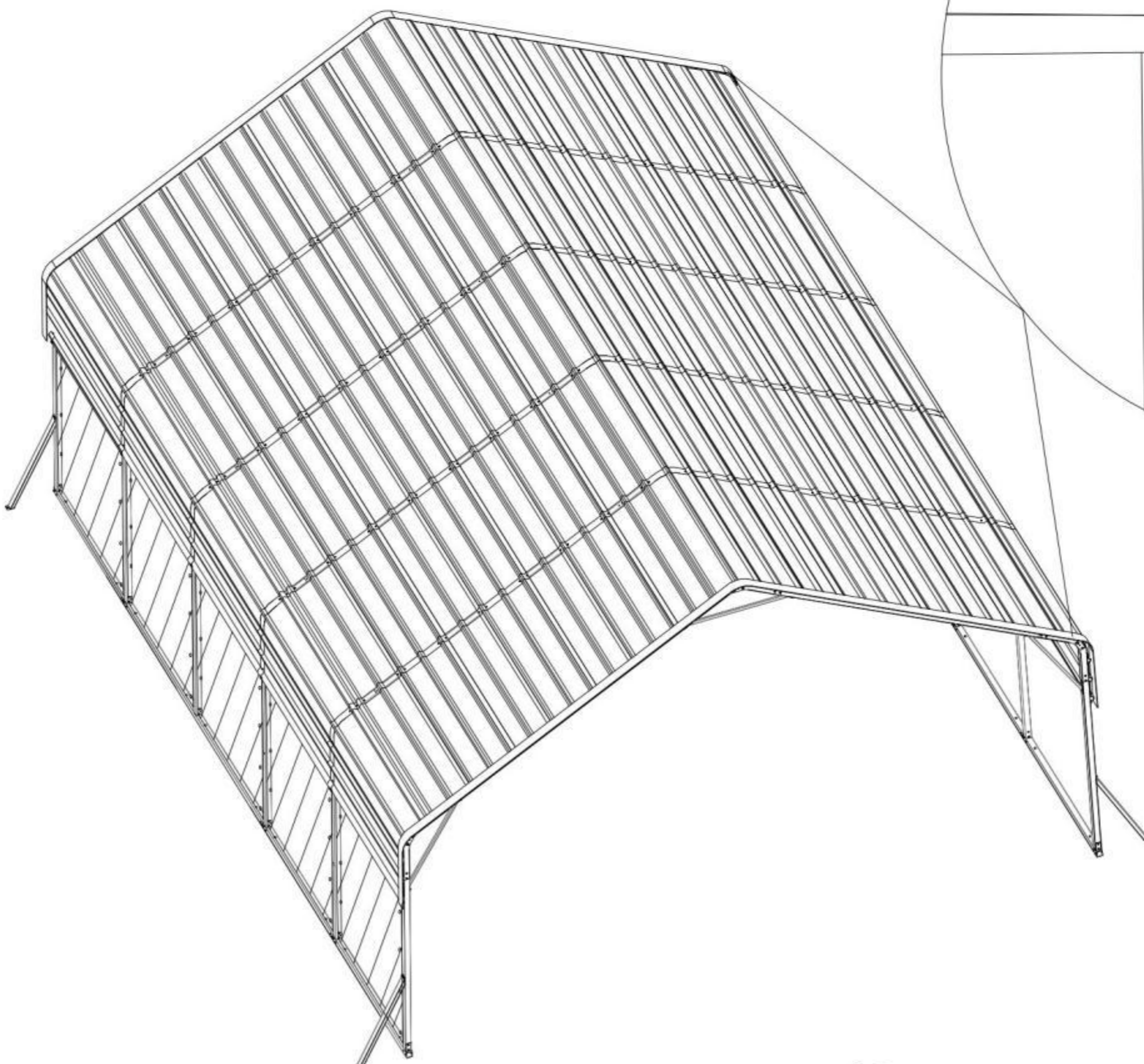
2) Follow the previous steps and continue to install the Roof Cover (#R) in the remaining 1 rows on the right.



#R		X5
#Y1		
#G1		X24
#Y2		

### STEP 9: Install the Anti-cut Tape (#Y2)

1) Wrap the Anti-cut Tape (#Y2) around the outer edge of the Roof Covers(#R).





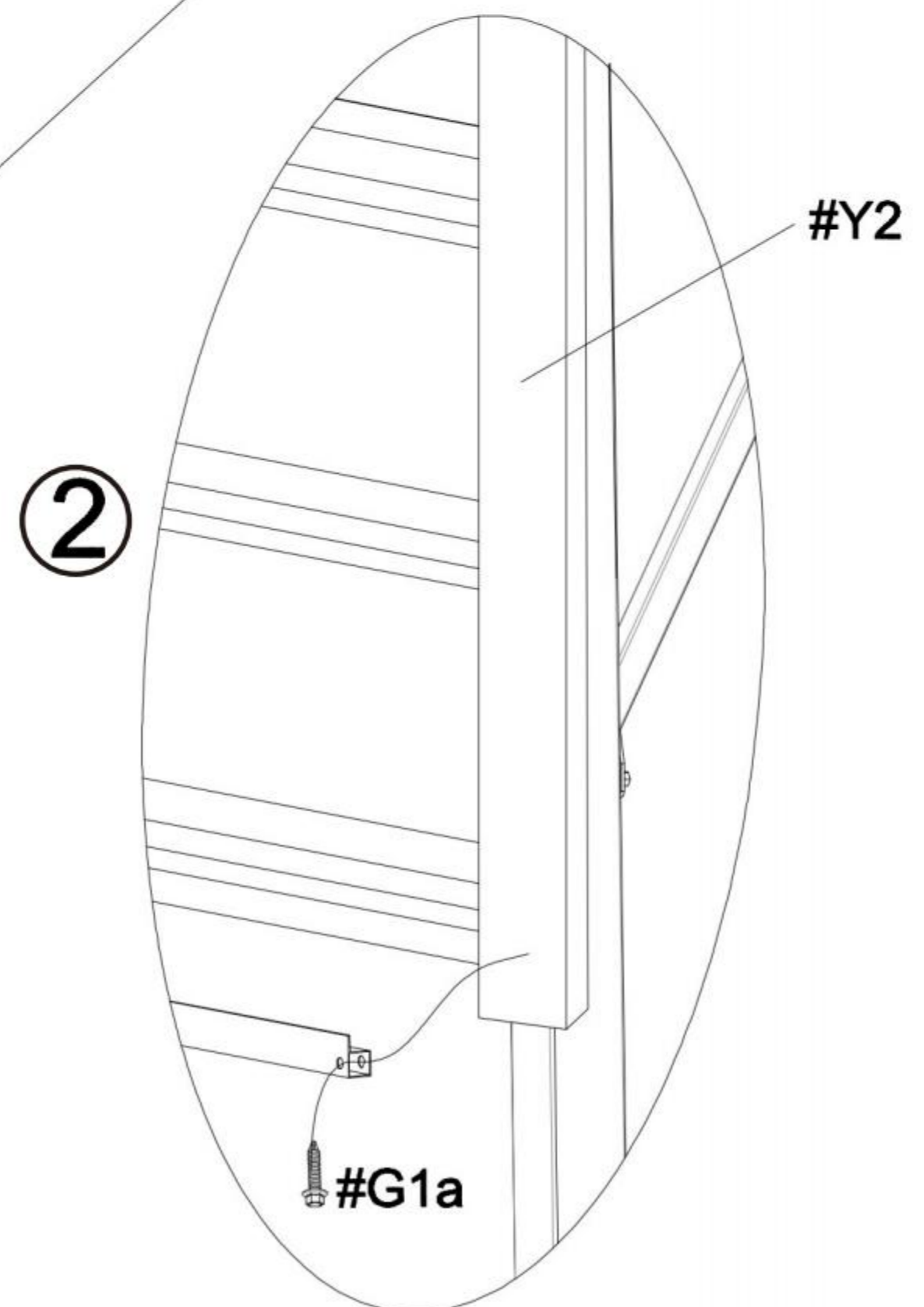
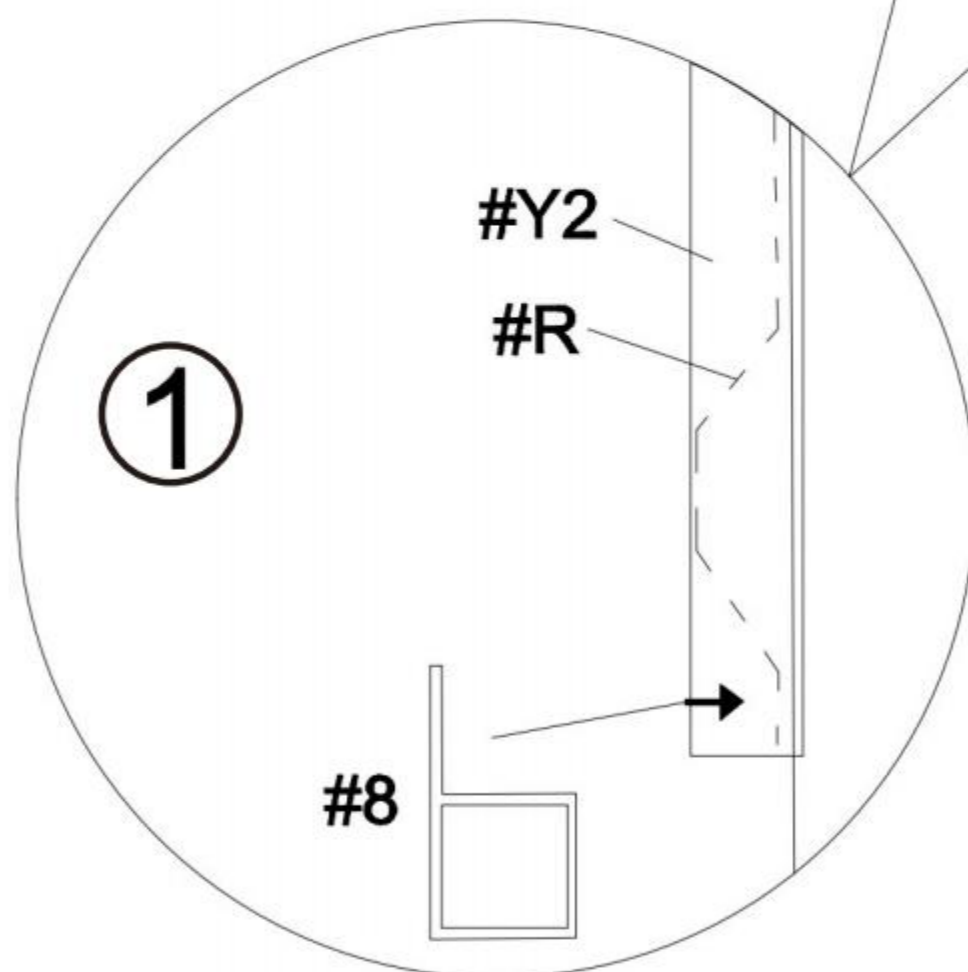
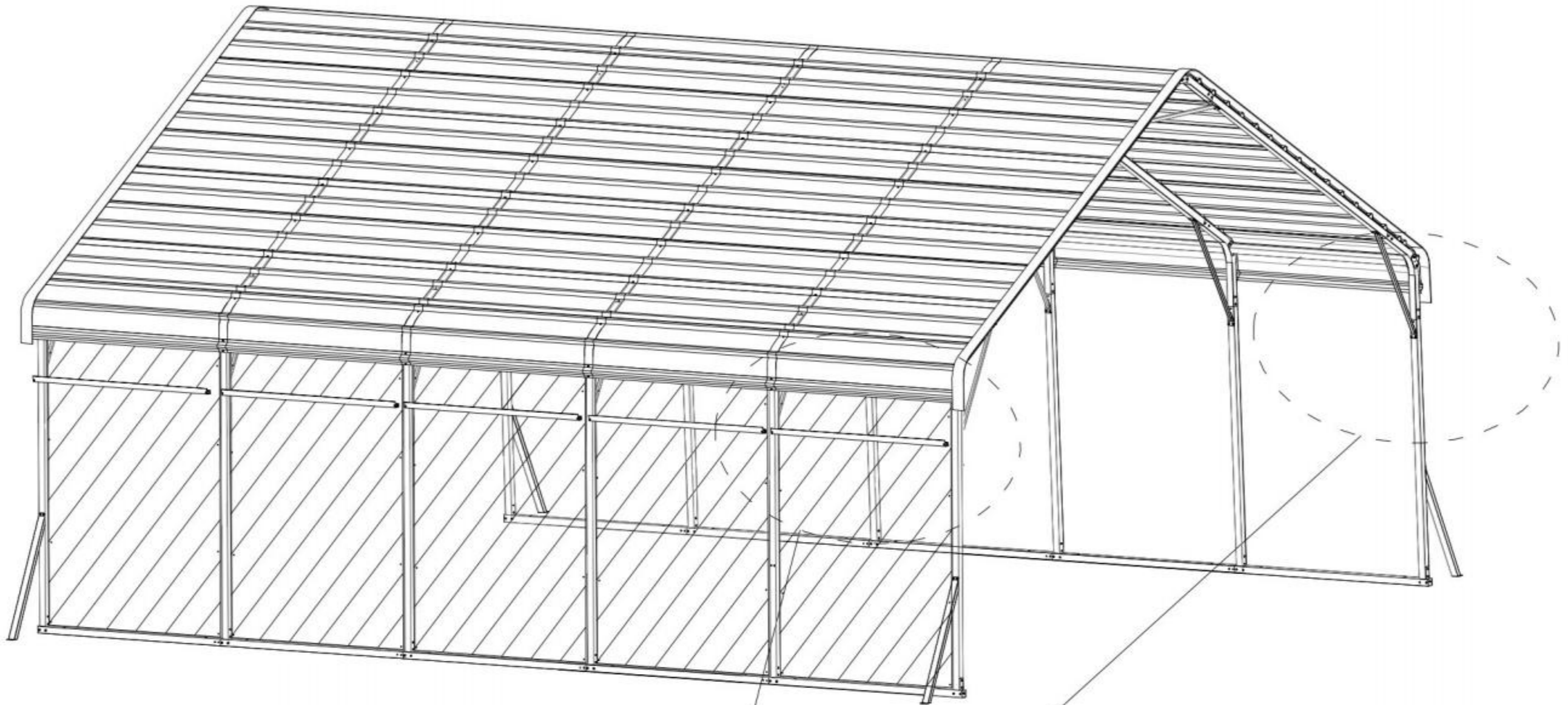
**Notice:**  
Be careful not to start from the 4 corners when wrapping the tape. Right angles are sharp and need to be avoided.

## STEP 10: Side-side defense pole

After installing I the Roof Cover (#R).on the left and right sides.

1) Install the Side-side defense pole(#9) in the left and right row, as shown in the picture.

#9		X10
#G1a		X20



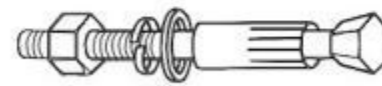
## STEP 11 : Anchor the Carport

Install the Anchor the Carport on the ground.

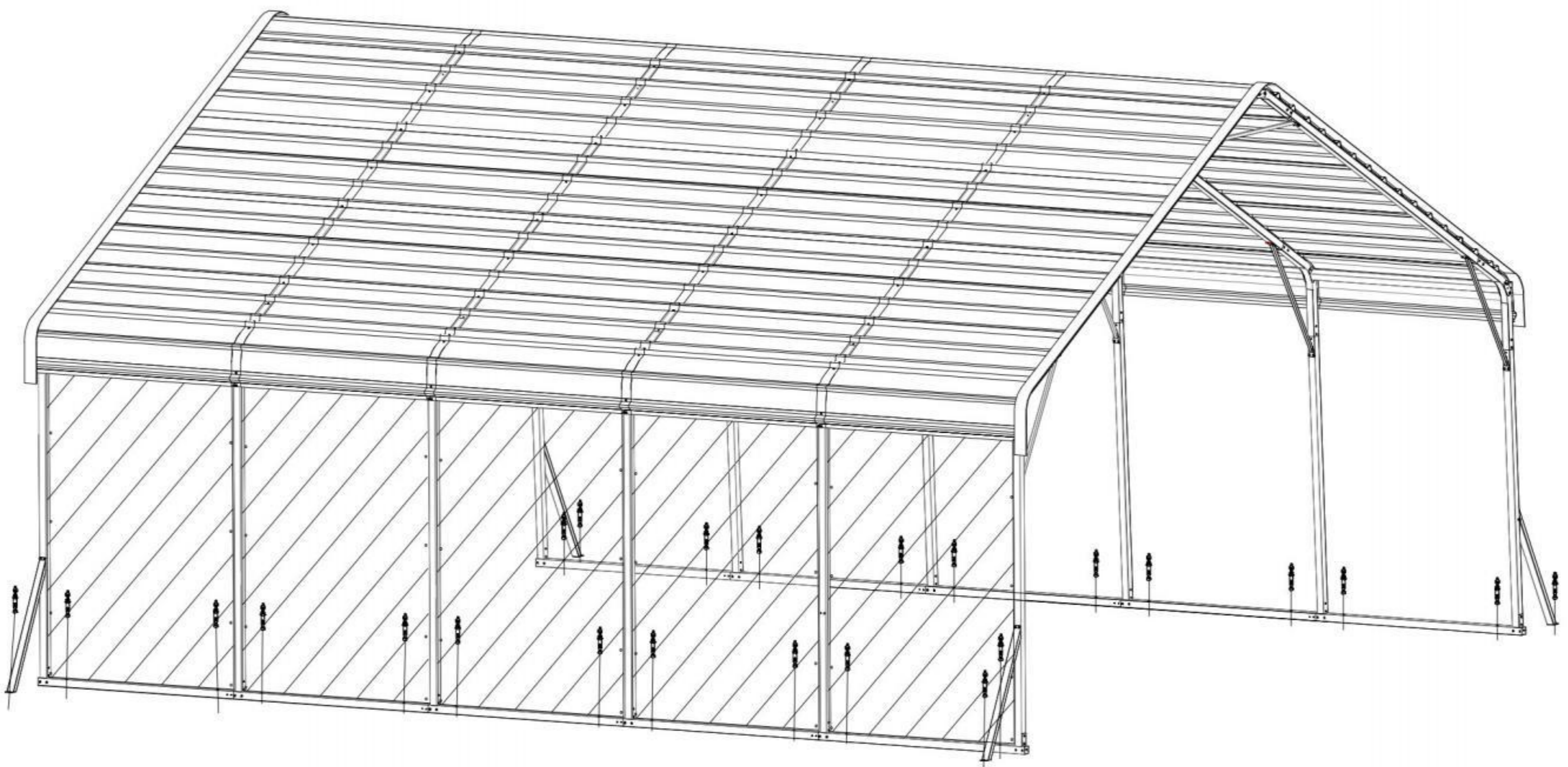
Notice:

The linking screws in this step are all: Expansion screws

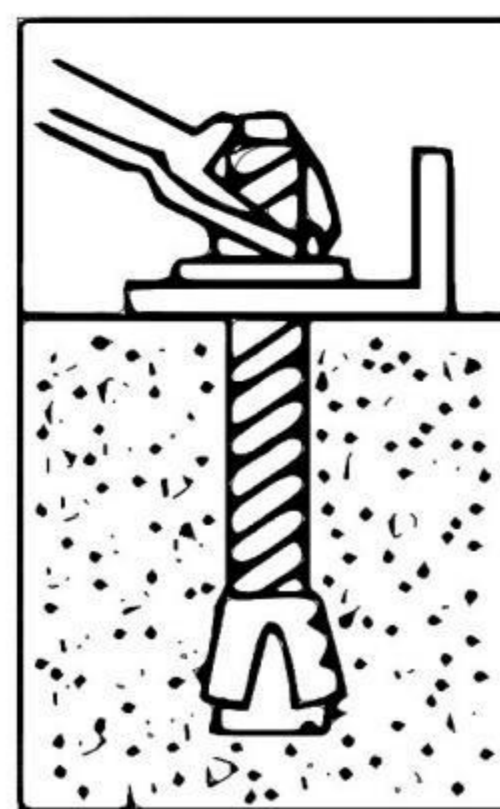
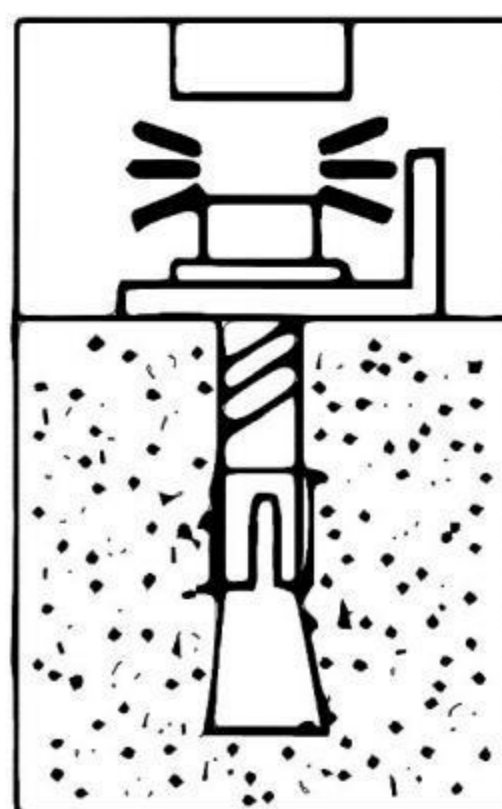
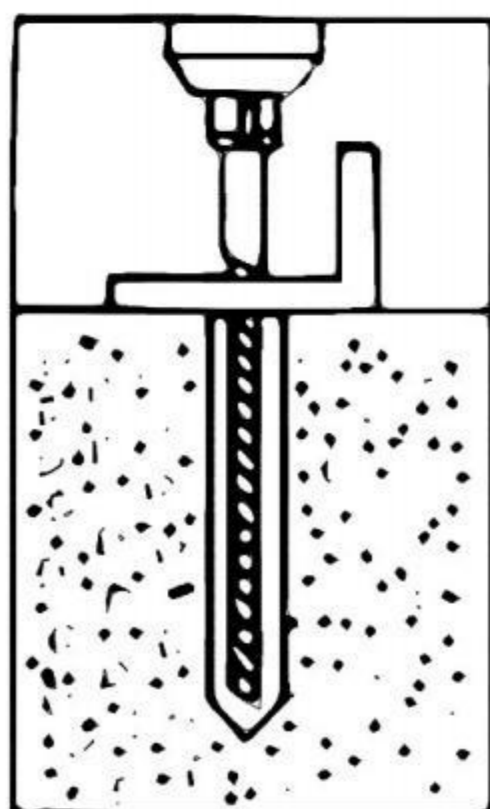
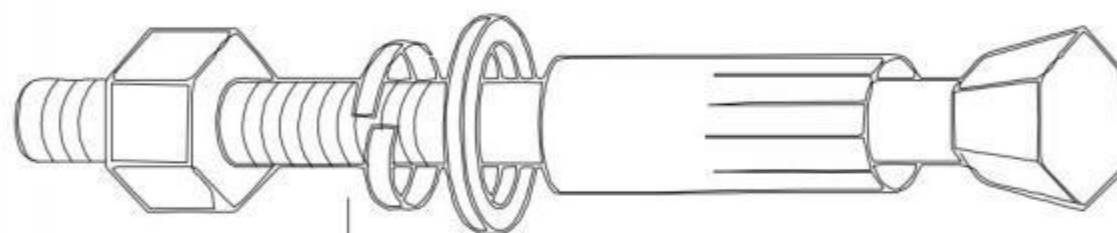
#G3



X24



#G3





**Técnico Apoyo y E - Garantía Certificado**  
**[www.vevor.com/support](http://www.vevor.com/support)**

# VEVOR

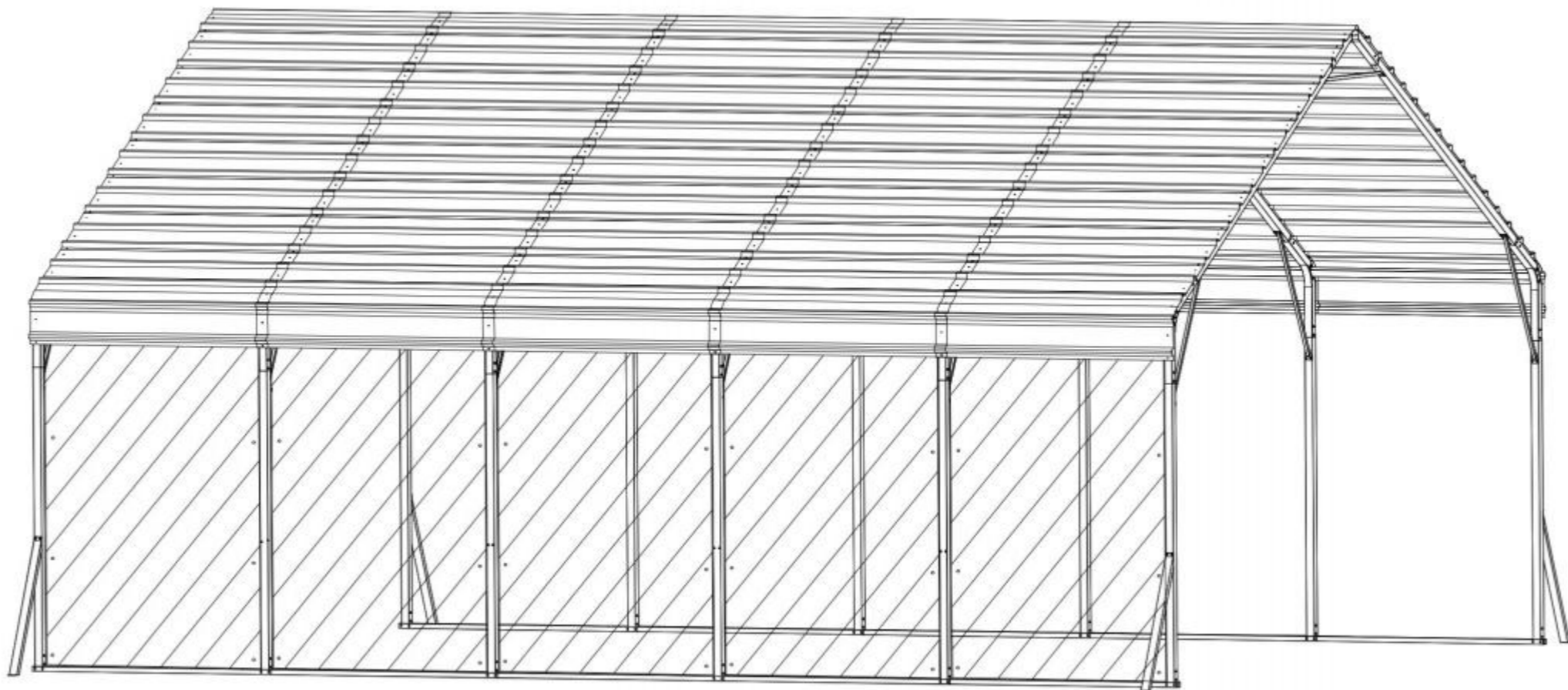
Prisvärd . Pålitlig . Hemförbättring I.

Tung Duty carports  
Modell: KD-TPQC-007-20x24ft

**Technical Support and E-Warranty Certificate**  
**[www.vevor.com/support](http://www.vevor.com/support)**

# CARPORT INSTALLATION INSTRUCTION

Modell : KD - TPQC -007-20x24 fot



Detta är de original instruktion , behaga läsa alla manuell instruktioner försiktigt före fungerar . VEVOR reserver a rensa tolkning av vår användare manual . De utseende av de produkt skall vara ämne till de produkt du fått . Behaga förlåta oss att vi kommer inte informera du igen om det är några teknologi eller programvara uppdateringar på vår produkt .

***IMPORTANT! PLEASE READ THIS INSTRUCTION CAREFULLY BEFORE INSTALLATION.***

1. Have at least two adults during installation. Read all instructions carefully and follow it accordingly. Failure to do so may result to injury or damage to the carport.
2. Never set-up the product in rainy, windy or stormy conditions, especially lightning storms.
3. Keep your carport off of the steep slopes and inclination.
4. After installation ,the carport should be anchored to prevent damage and possible injury. It is the user`s responsibility to properly anchor the product.
5. Always inspect the carport and each part before use. Make sure that everything is tightly secured. Replace any worn, defective missing parts.
6. For a better installation and use experience, it is recommended to bring your own ladder, scissors, electric drill and glass glue.

## SÄKERHET INSTRUKTIONER

### VARNING :

Läs detta material före använder detta produkt. Underlåtenhet att göra det kan resultat på allvar skada.

### Försiktighetsåtgärder vid montering

1. Montera endast enligt till dessa instruktioner . Felaktig montering kan skapa faror.
2. Slitage ANSI - godkänd säkerhet glasögon och tung - duty arbete handskar under montering .
3. Behåll de montering område rena och väl upplyst .
4. Behåll åskådare ut av de område under montering .
5. Gör inte montera om trött eller när under de influens av alkohol , droger eller medicinering .
6. Den produkt förmågor tillämpas till ordentligt och helt endast sammansatta produkter.
7. Montera på a platt , jämn , hård och jämna yta kapabel av säkert stödjat träet Hallträd.
8. För ytterligare information angående de delar listade i de följande sidor, behåll hänvisa till Montering Diagram över detta manuell. Packa upp och separera alla delar i en rent arbete område.

### Använda försiktighetsåtgärder

1. DO INTE SITTA ELLER STÅ PÅ DETTA PUNKT.
2. Detta produkt är inte en leksak. Do inte tillåta barn spela med eller nära detta punkt.
3. Gör inte överstiga specificeras vikt kapaciteter .
4. Använd endast på a platt , nivå , hårt , och jämna yta att burk säkert stöd a fullt lastad Trä Hall Träd .
5. Använd som endast avsett.
6. Inspektera före varje använda; do inte använda om delar är lösa eller skadad.

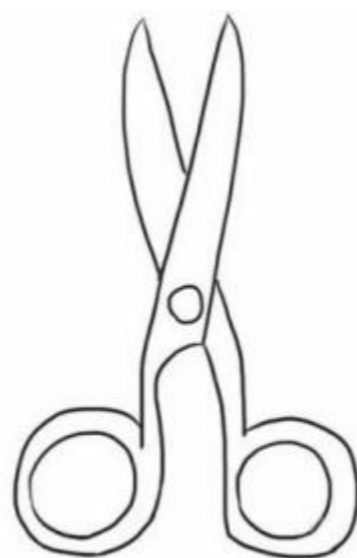
### SPARA DETTA MANUELL

## VIKTIG! BEHAGA LÄS DETTA INSTRUKTION NOGA FÖRE INSTALLATION.

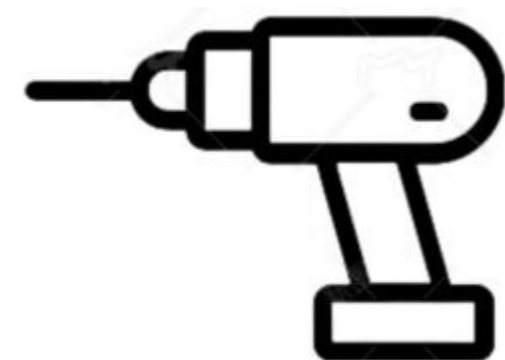
1. Installation kräver kl minst två vuxna. Läs allt instruktions vårdfullt ut och följ det därefter. Underlåtenhet att göra det maj resultat i i skada eller skada till de carport .
2. Inställ aldrig upp produkt i regnigt, blåsigt eller stormigt tillstånd , es- speciellt belysning storm s.
3. Håll din carport borta från de branta backarna och lutning.
4. Efter installationen ska carporten vara förankrat till förhindra skada och möjlig skada. Det är e användarens ansvar för att ordentligt förankra produkt.
5. Alltid inspektera carporten och varje del före användning . Göra säker att allt är ordentligt säkrat. Byt ut alla slitna, defekt saknad delar.
6. För en bättre installations- och användarupplevelse, det är rekommenderad till ta med egen stege, sax, el borra och glas lim.



Stege













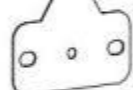
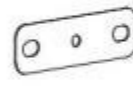

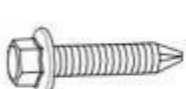

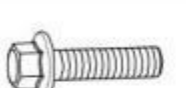
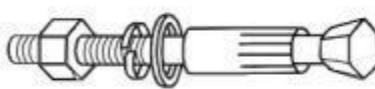






Sax







Elektrisk borra

# PACKAGE CONTENTS

This carport is packed in 5 boxes. Before the installation, please check all the parts according to the part list. If there is any part missing or defective, please contact us immediately to get replacement parts.

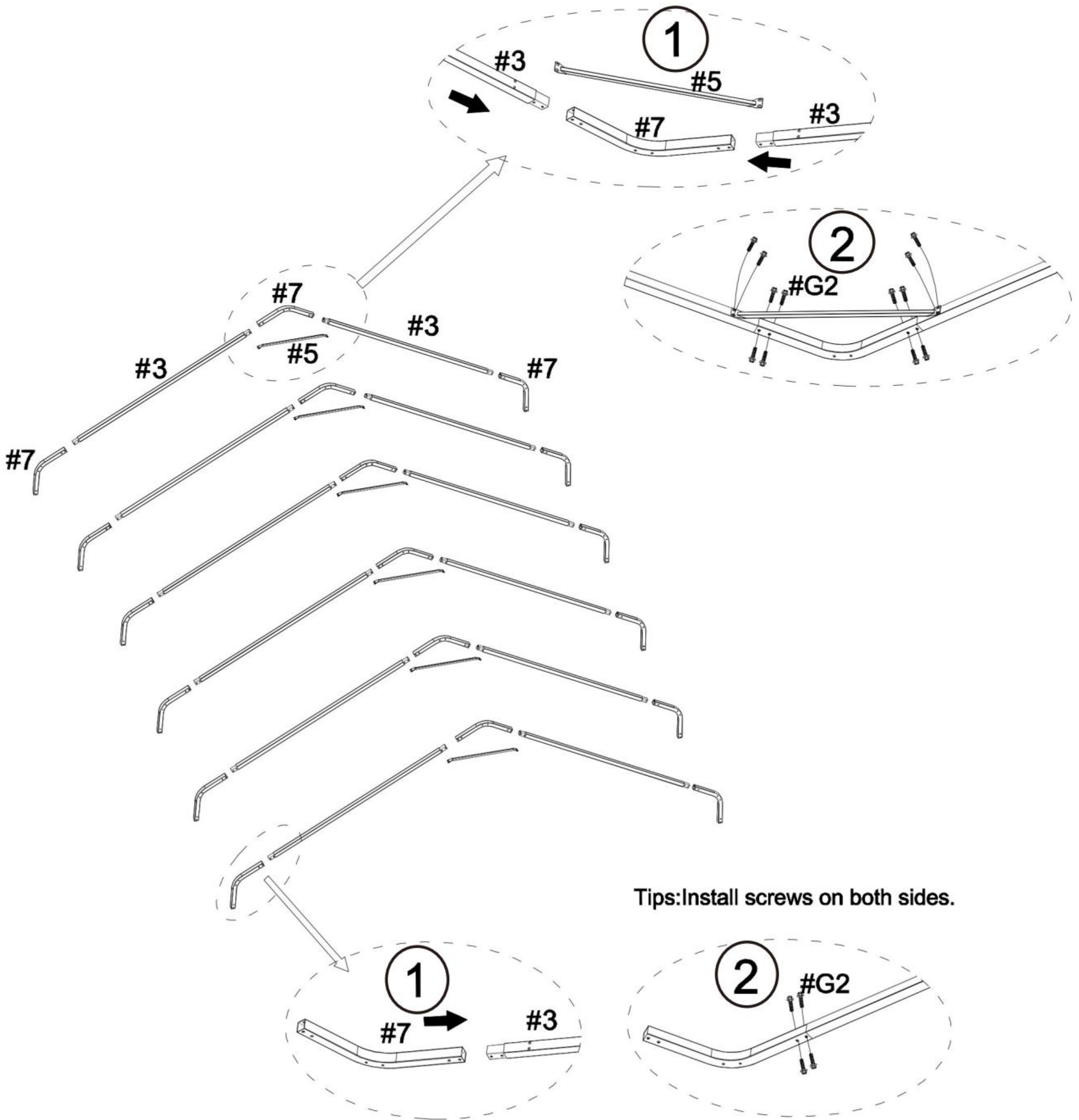
<b>Part No.</b>	<b>Part Name</b>	<b>Drawing</b>	<b>Qty</b>
#1	Side pole 1		10PCS
#2	Side pole 2		5 PCS
#3	Straight peak pole		12 PCS
#4	Leg pole		12 PCS
#5	Top Reinforcing pole		18 PCS
#6	Ground bar 1		8 PCS
#6a	Ground bar 2		2 PCS
#7	Connector		18 PCS
#8	Ground Reinforcing pole		4 PCS
#9	Side-side defense pole		10 PCS
#10	Side plate 1		3 PCS
#11	Side plate 2		4 PCS
#R	Roof cover		85 PCS
#G1	M5X20 Self-Tapping screws		322PCS
#G1a	M5X25 Self-Tapping screws		24 PCS
#G2	Socket head bolt		314 PCS
#G3	Expansion screws		26 PCS
#G4	Socket head bolt & Nut		38 PCS
#L	Gloves		2 pairs
#Y1	Waterproof tape		8 PCS
#Y2	Anti-cut tape		20 M
#Y3	Enclosure		5 PCS
#Y4	Beads of rope		60PCS

# STEP 1: Assemble the Top Frame




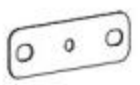

#3		X12
#5		X6
#7		X18
#G2		X120

**Notice:**

The linking screws in this step are all: Socket Head Bolt (#G2)

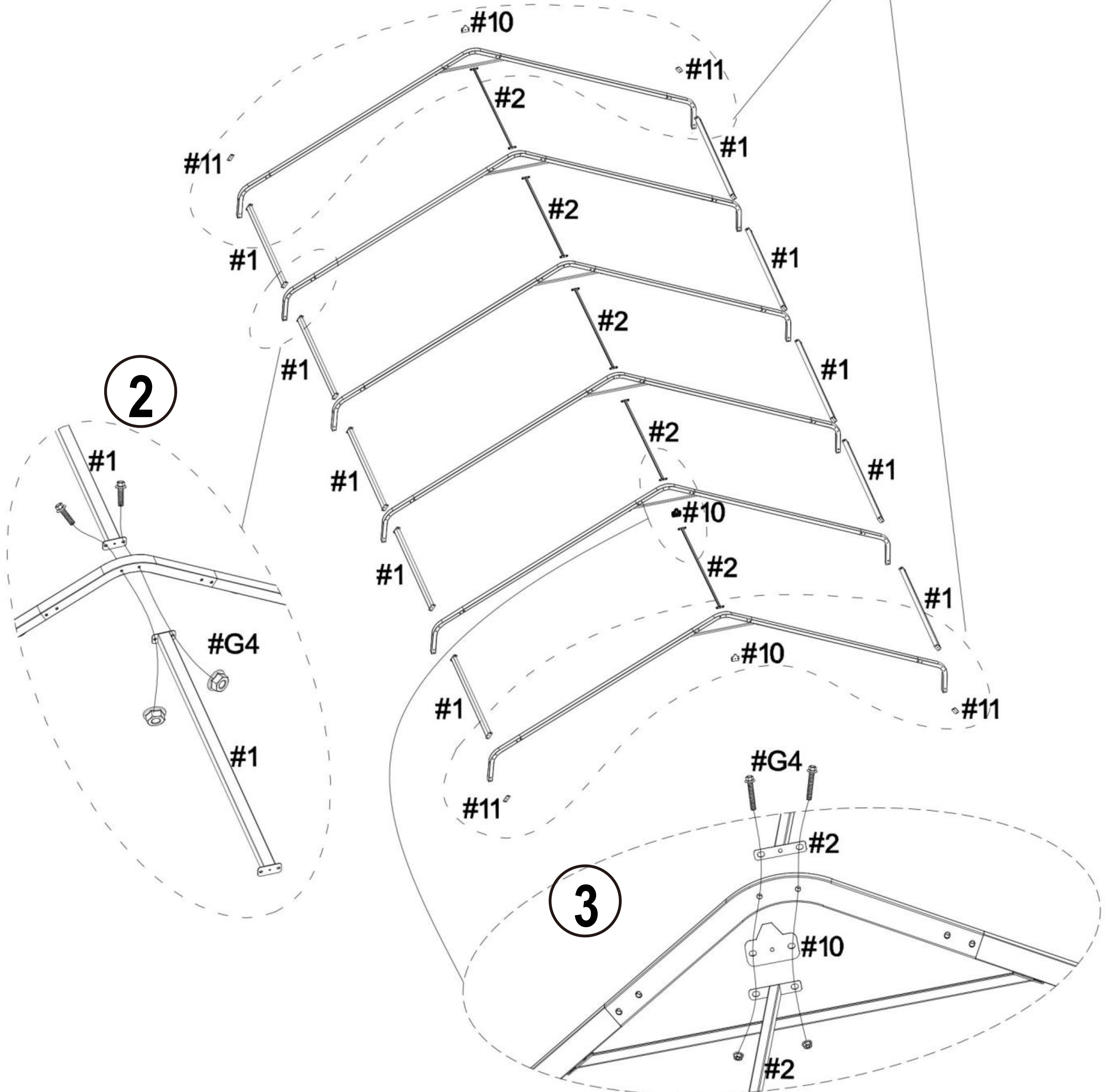
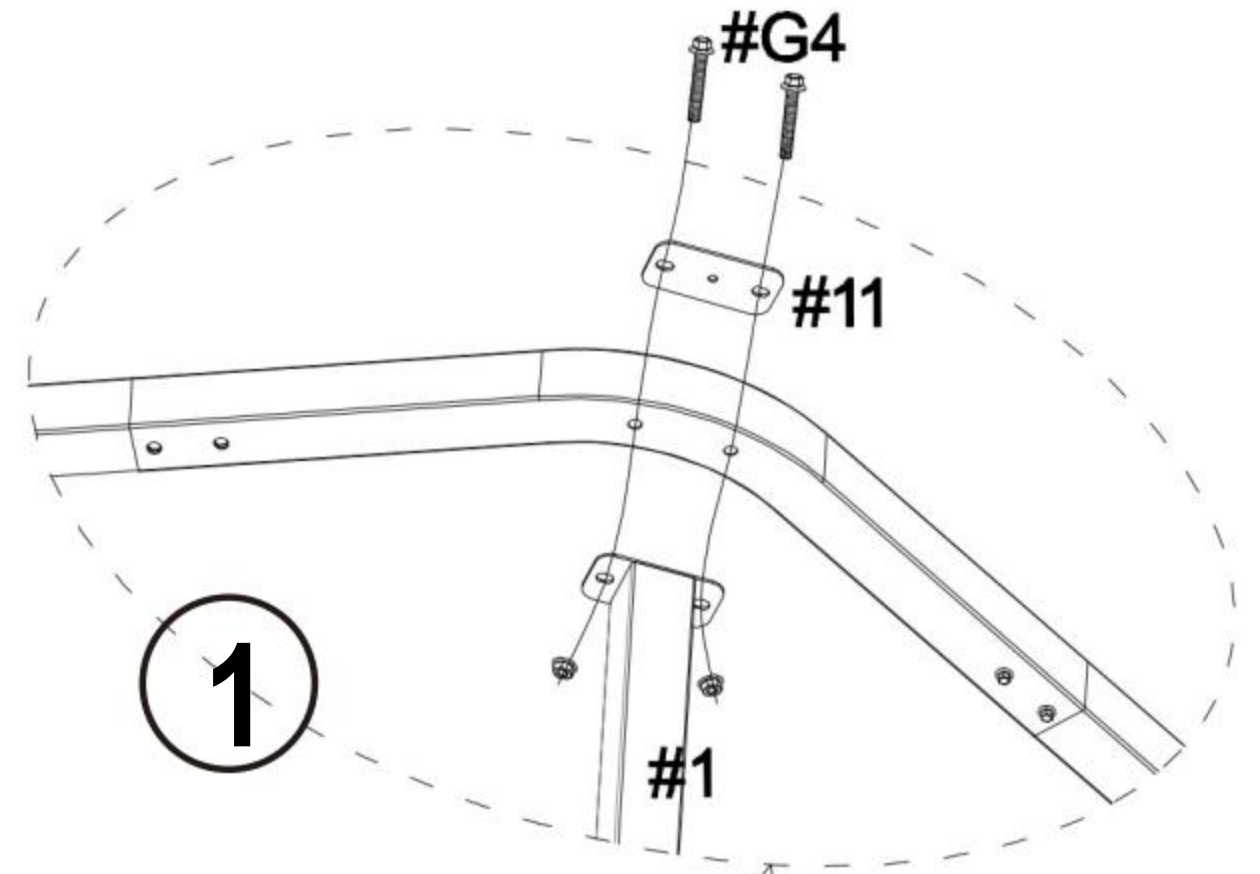


# STEP 2:

#1		X10
#2		X5
#10		X3
#11		X4
#G4		X36

**Notice:**

The linking screws in this step are all: Socket Head Bolt (#G4)



**2**

**3**

## STEP 3: Install the Top Roof

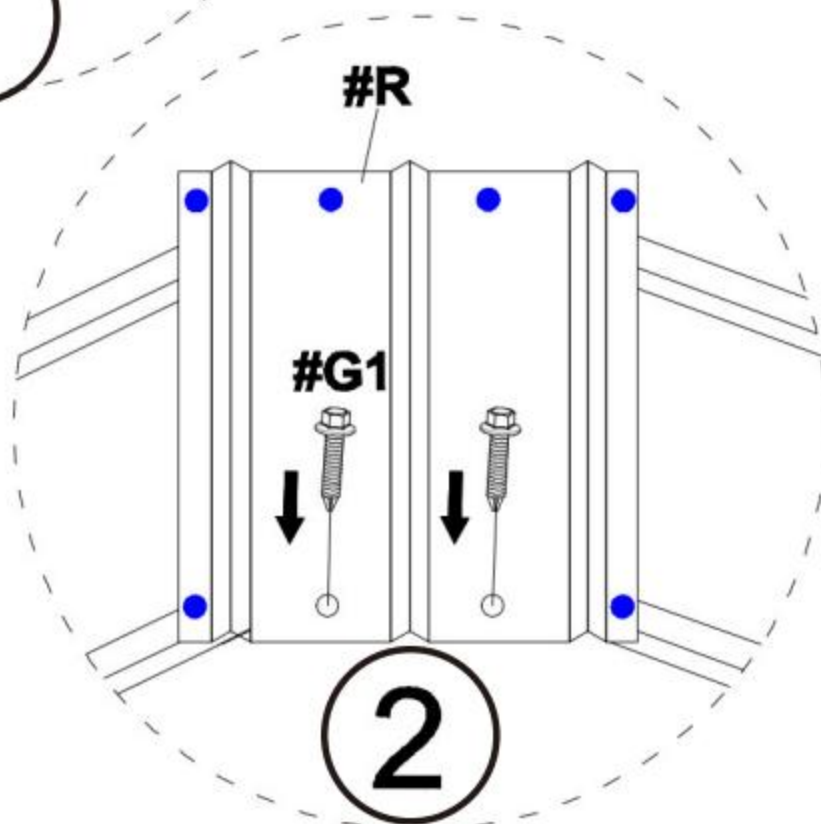
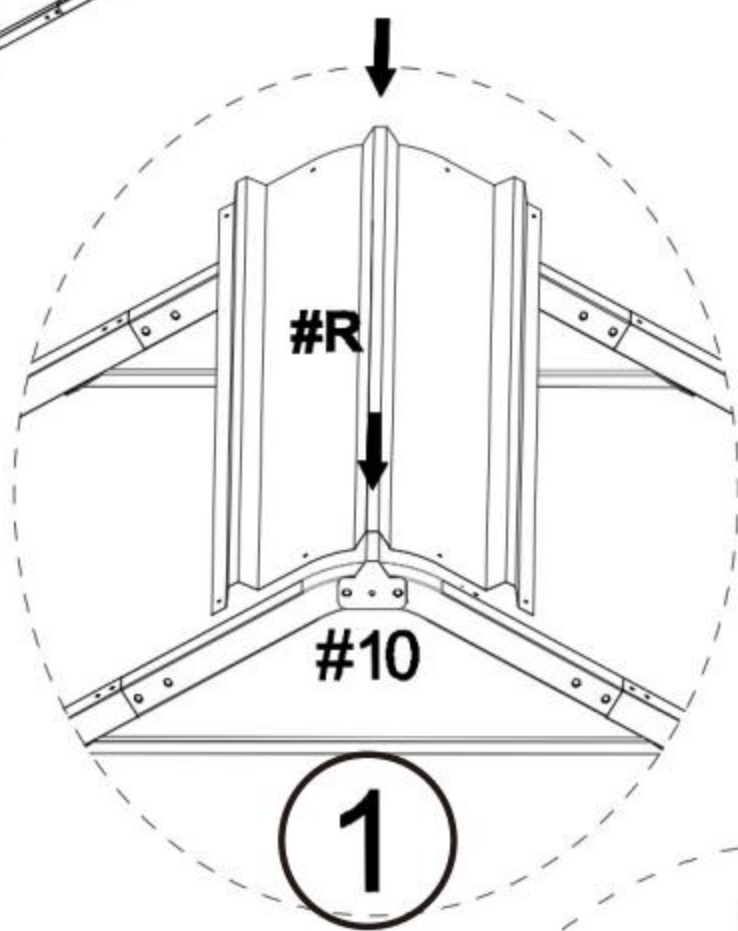
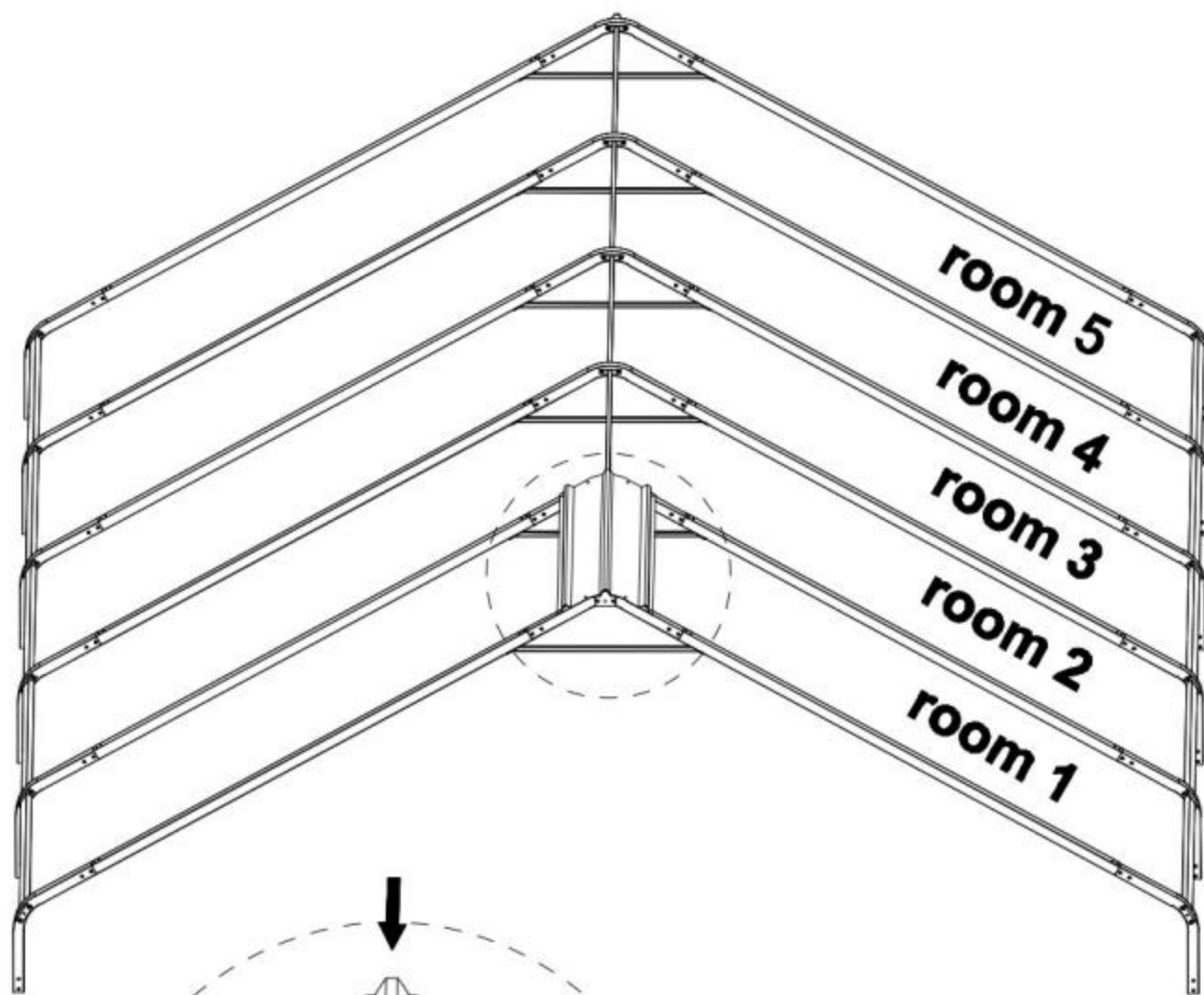
Install all the Roof Cover (#R) to the top frame. The linking screws in this step are all: Self-Tapping Screws (#G1), as shown in the picture.

Notice:




1. The meaning of different colored holes in the Roof Cover (#R);

- Blue hole: no screws here right now.
- Black hole: nonal installation

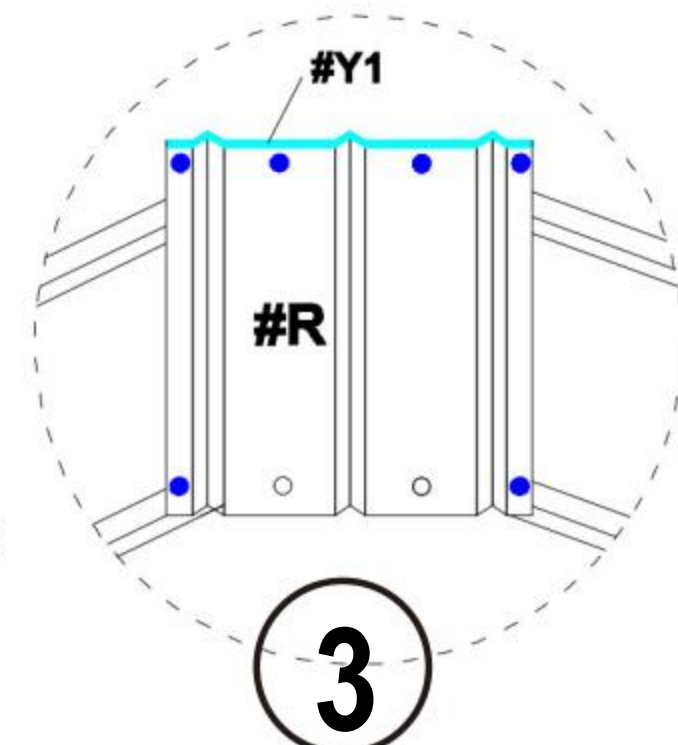
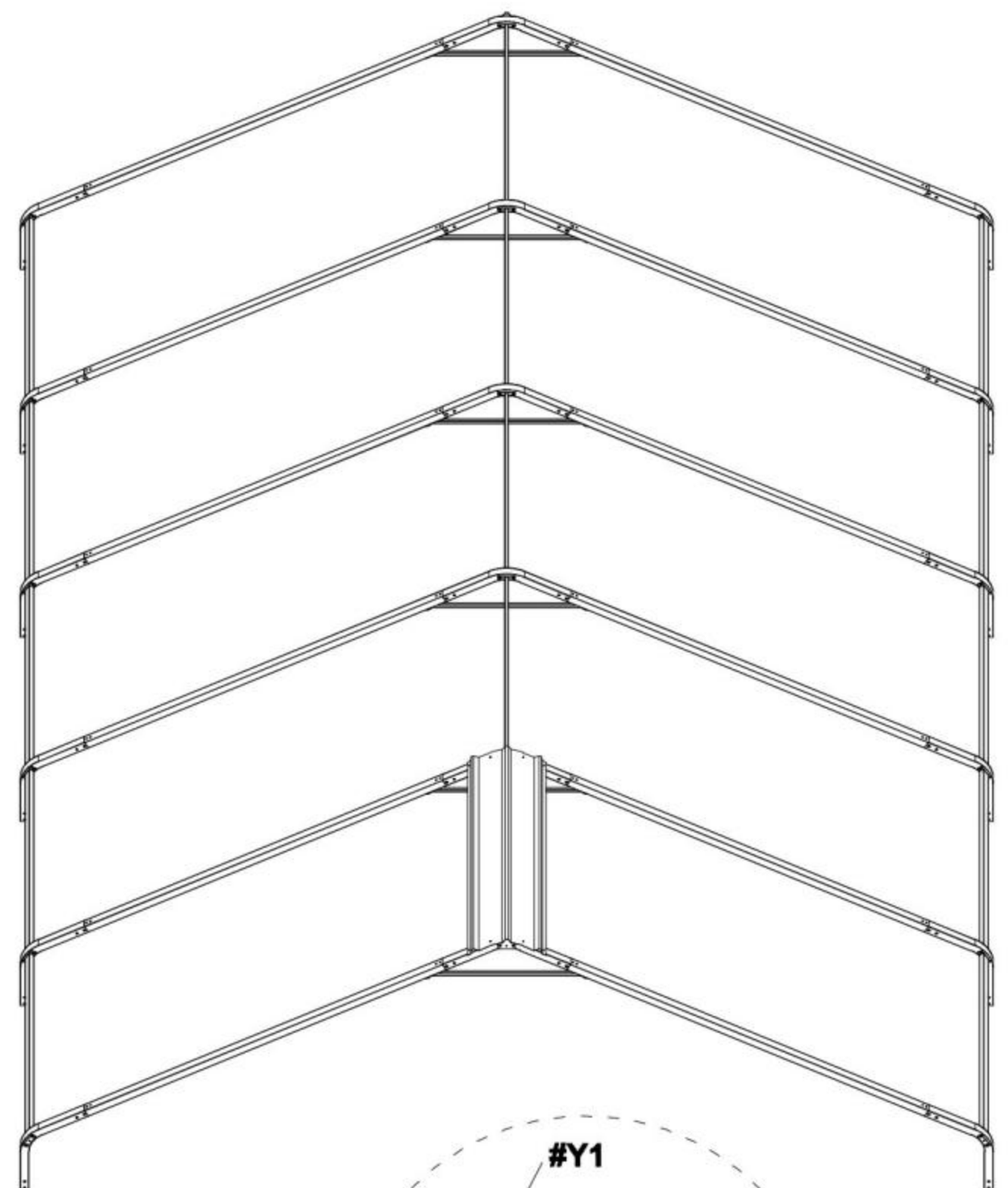
1) Starting from the top middle of room 1 to room 5, install the first row of Roof Covers (#R).



When installing the first piece of roof covering, place the middle slot of the tile at the gasket #10 bump for easy reinforcement with screws

#R		X1
#Y1		X8
#G1		X2




2) When installing each Roof Cover (#R), you need to use Waterproof Tape (#Y1) as shown in the picture.



# STEP 4:

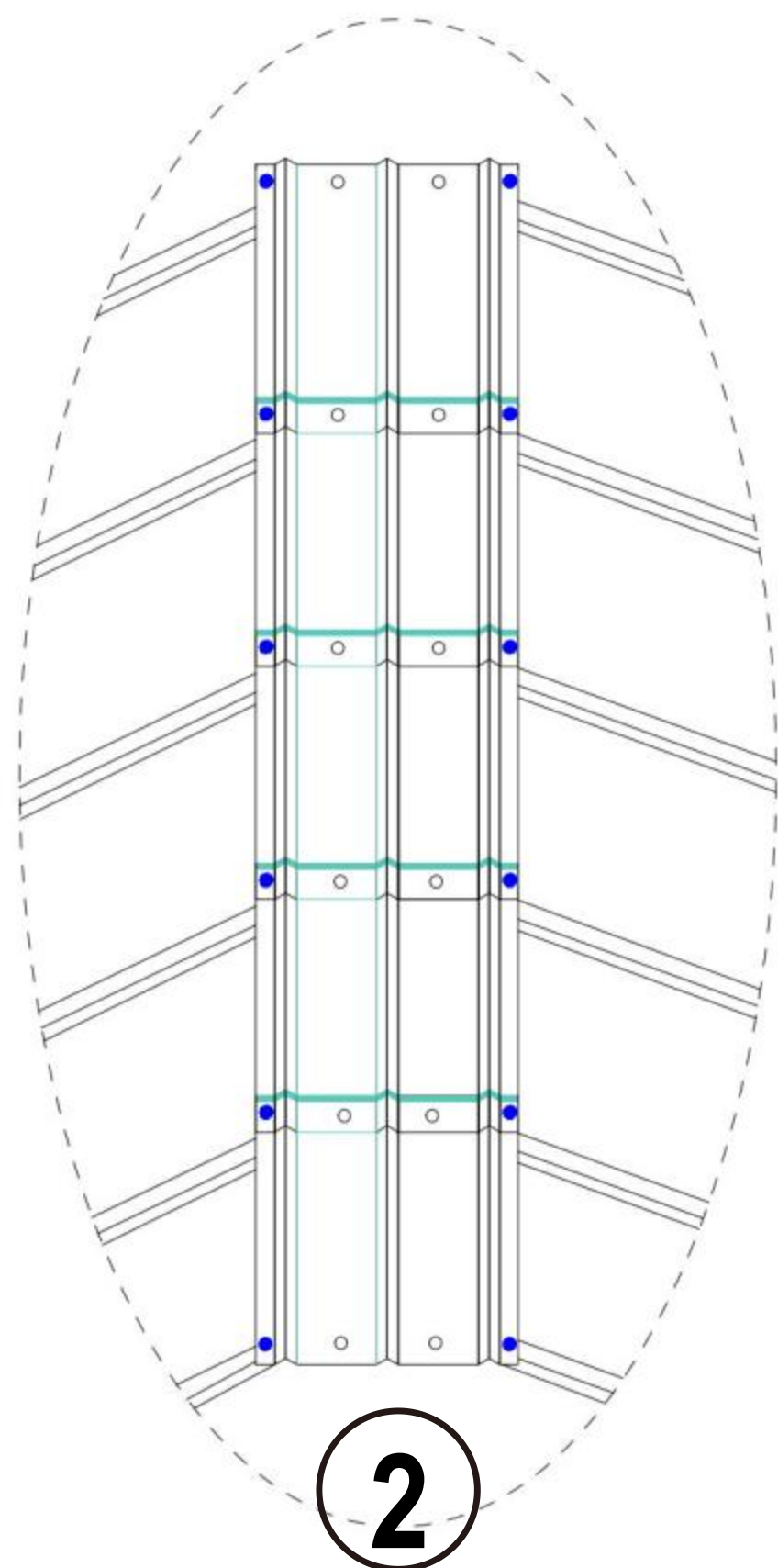
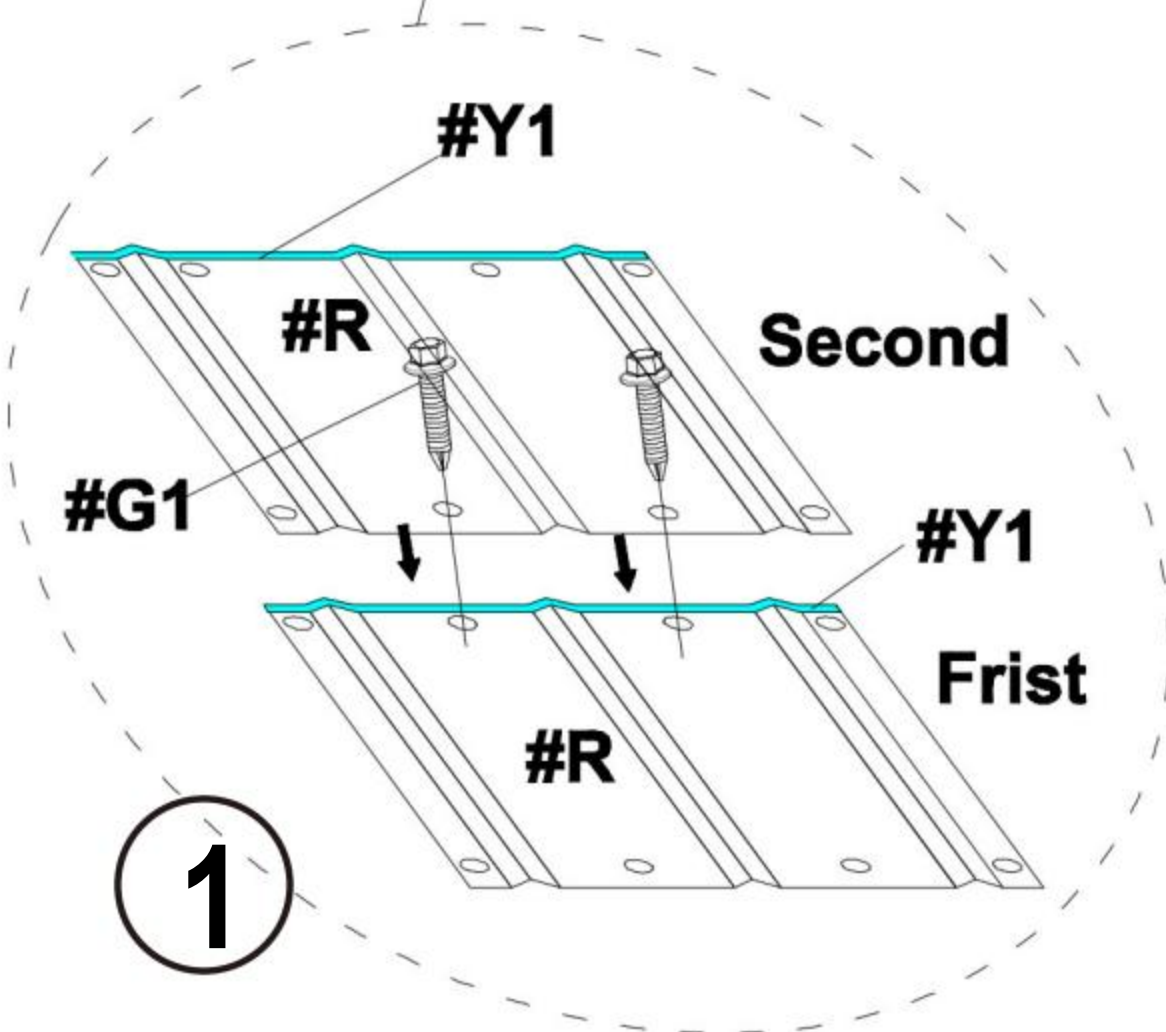
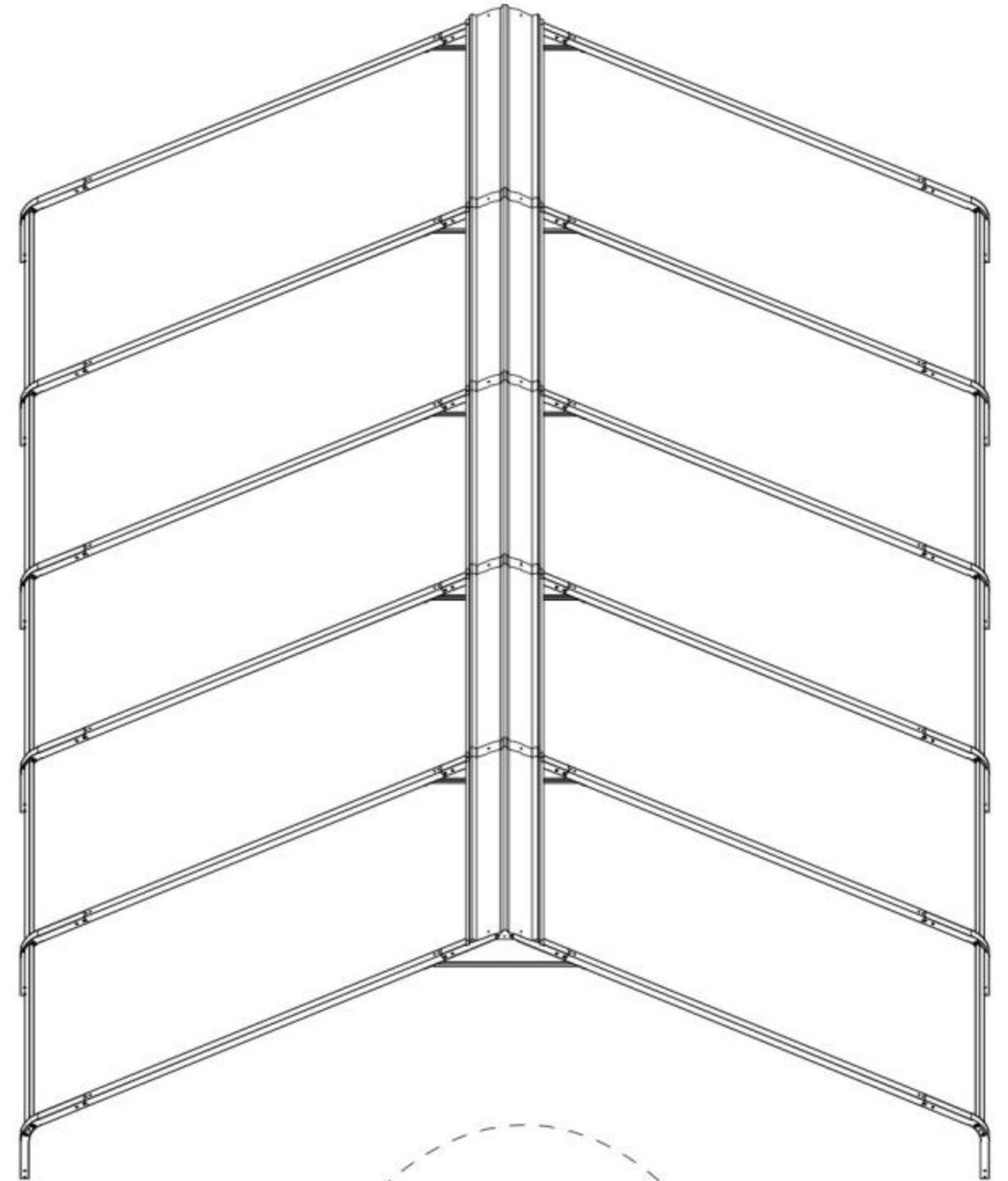
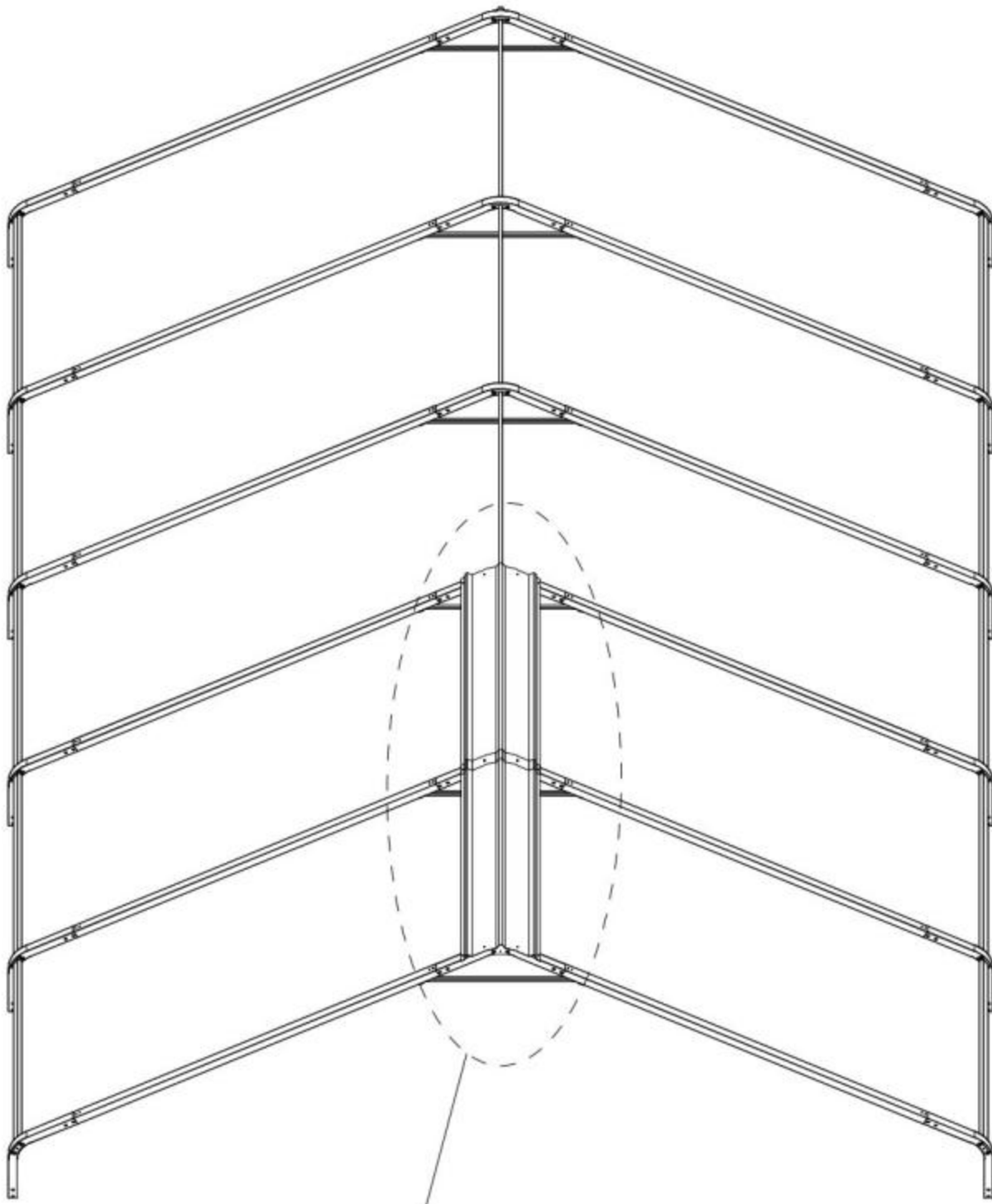
## Notice:

1. Make sure that the screw holes are aligned, and then press the Waterproof Tape (#Y1)
2. Make sure there are no gaps between the two roof covers to prevent water leakage

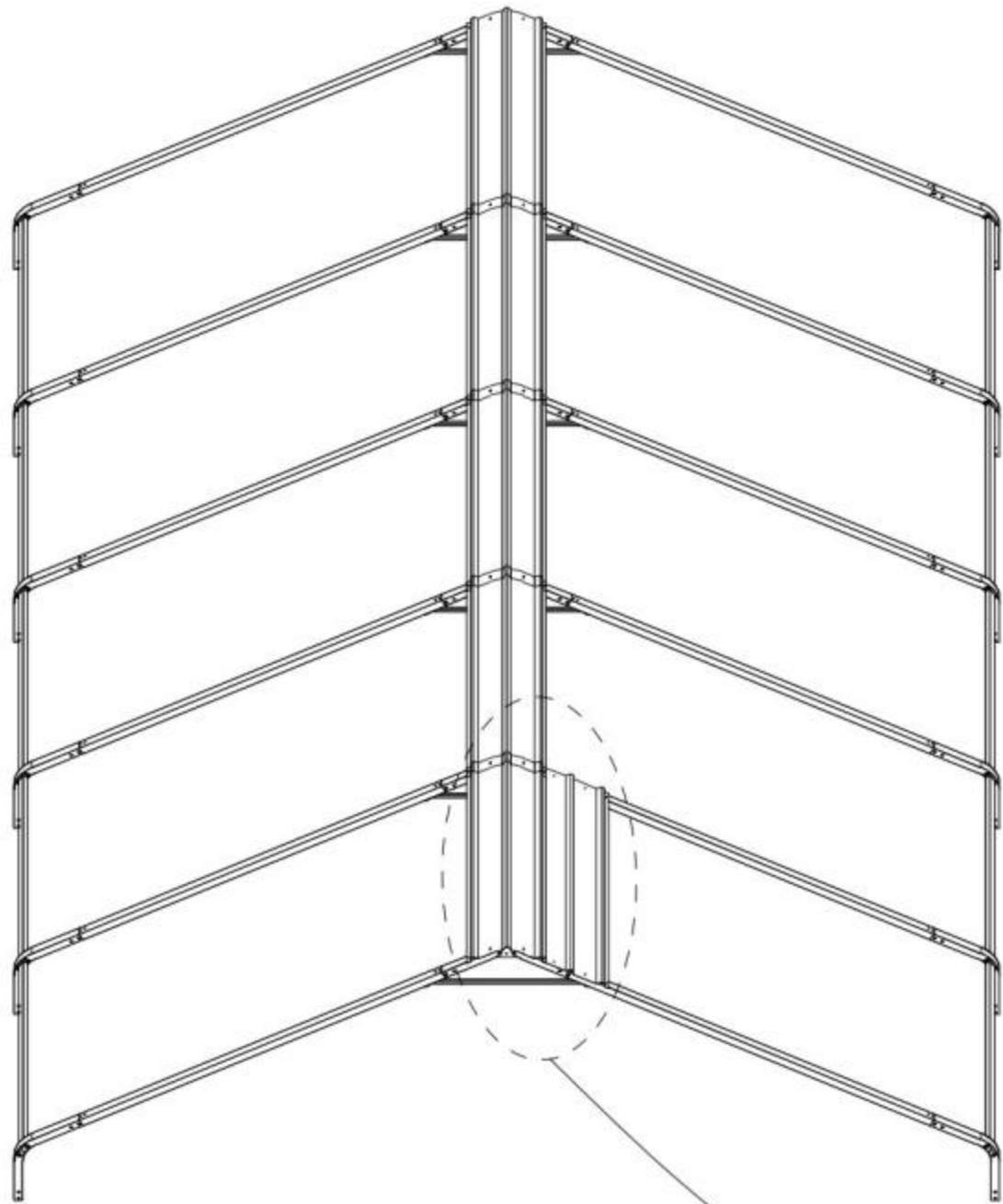
#R		X4
#Y1		
#G1		X10



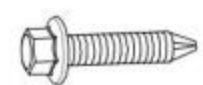
3.1) The second Roof Cover (#R) needs to be placed on the first Roof Cover (#R)

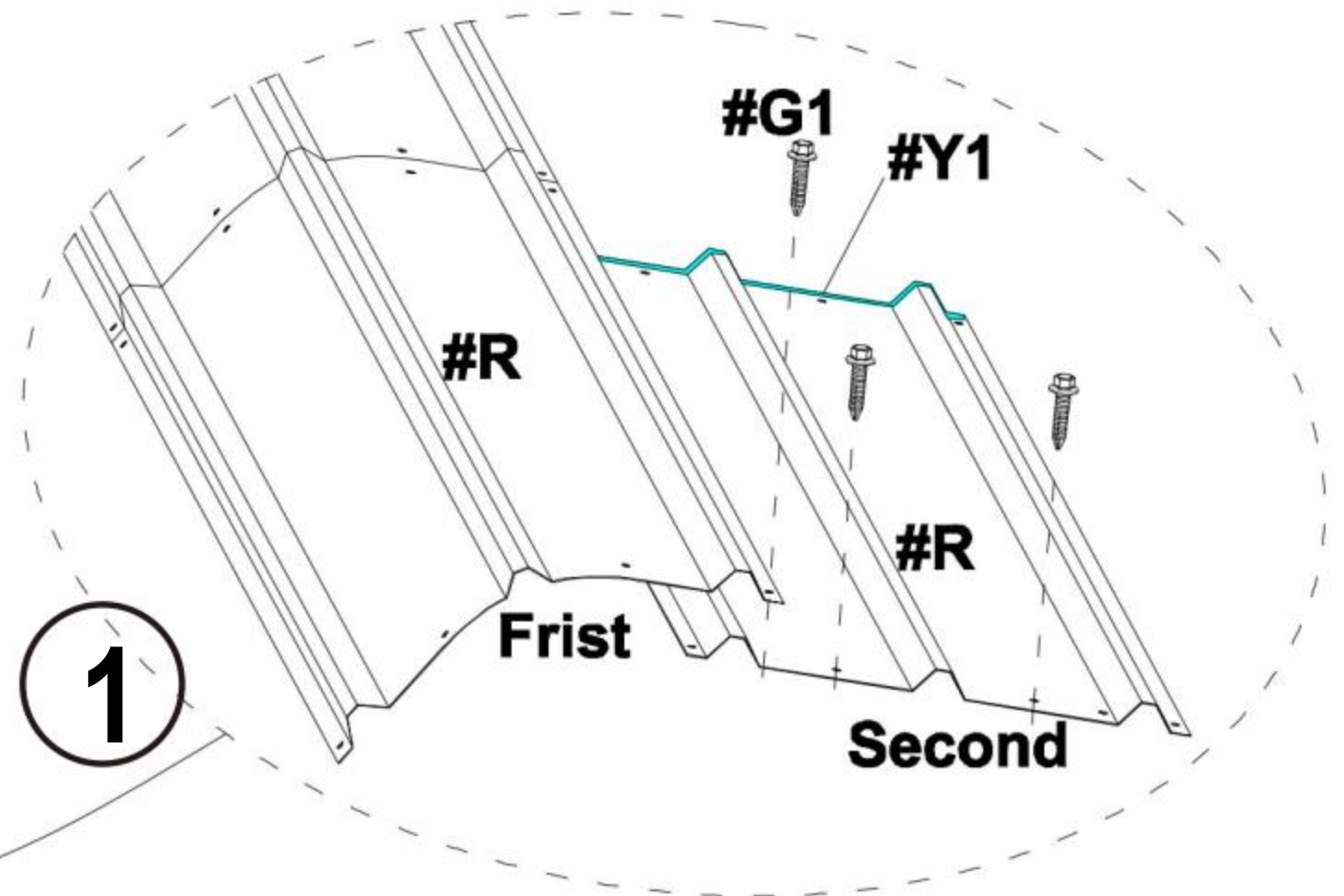
3.2) Follow the previous steps and continue to install the remaining Roof Cover (#R) in the middle row.



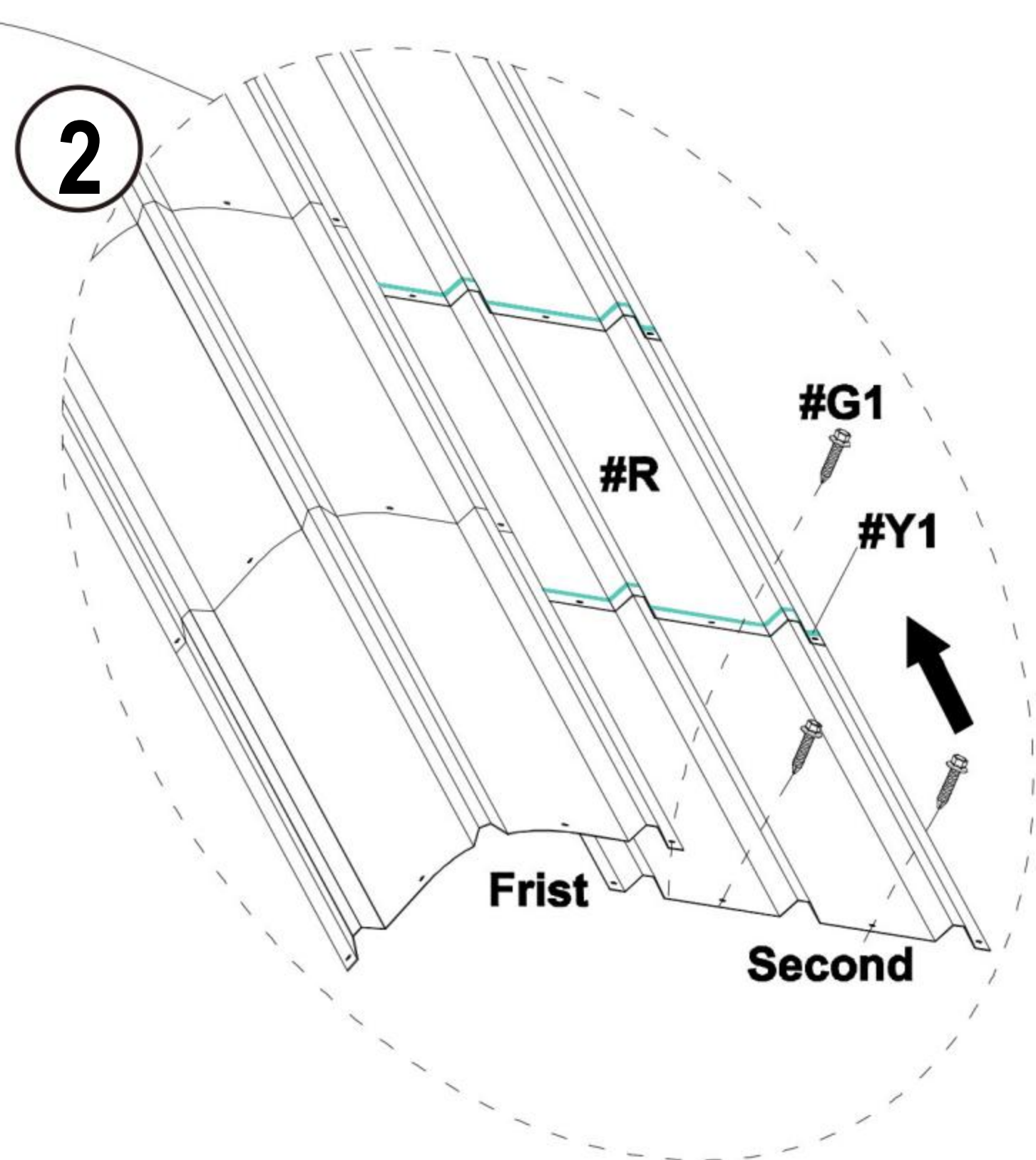
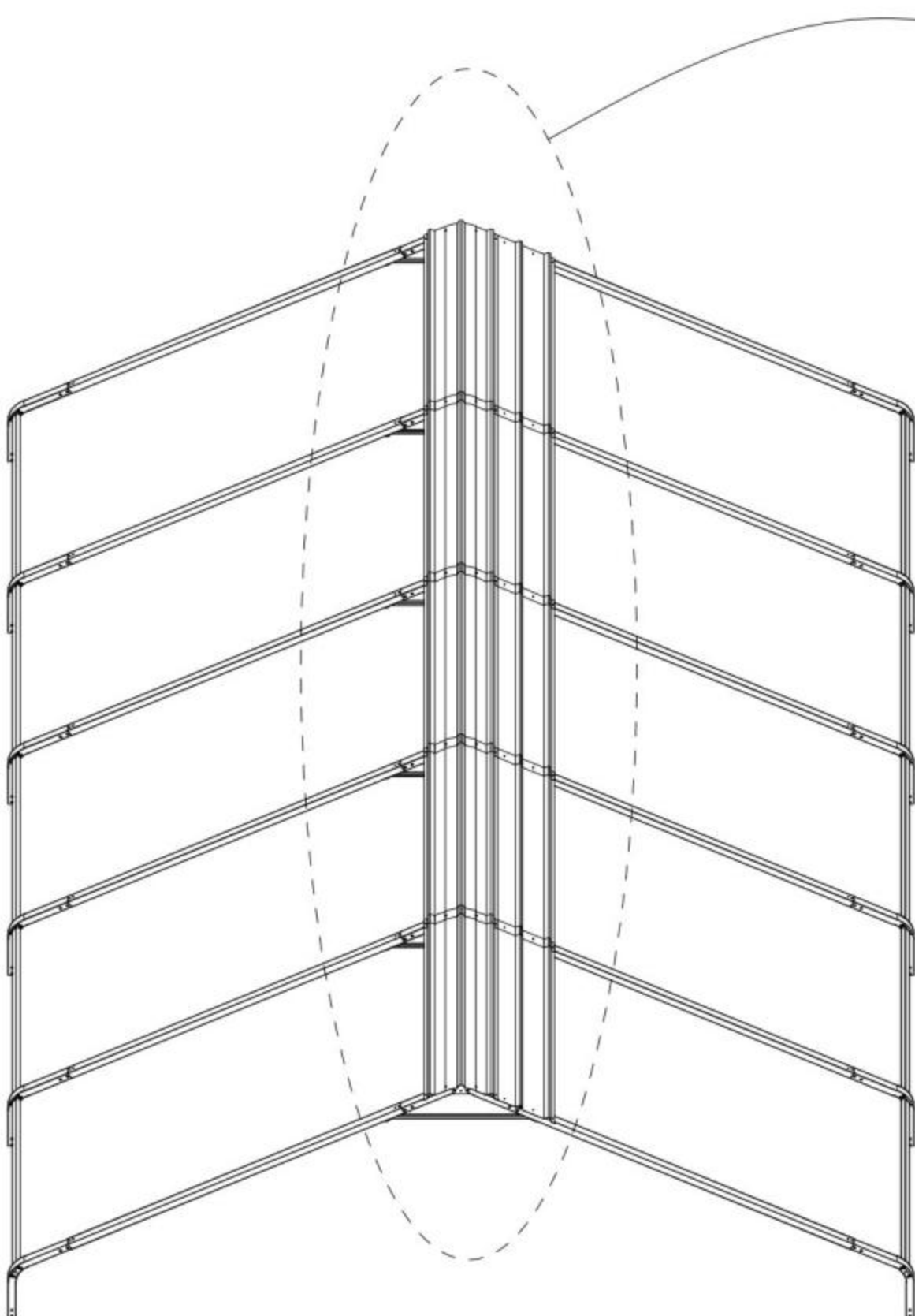
4.1) After installing the middle row, continue to install the 4 rows on the right. Each newly installed Roof Cover (#R) in a row needs to be placed below the Roof Cover (#R) in the previous row, as shown in the picture.






#R		X5
#Y1		
#G1		X18

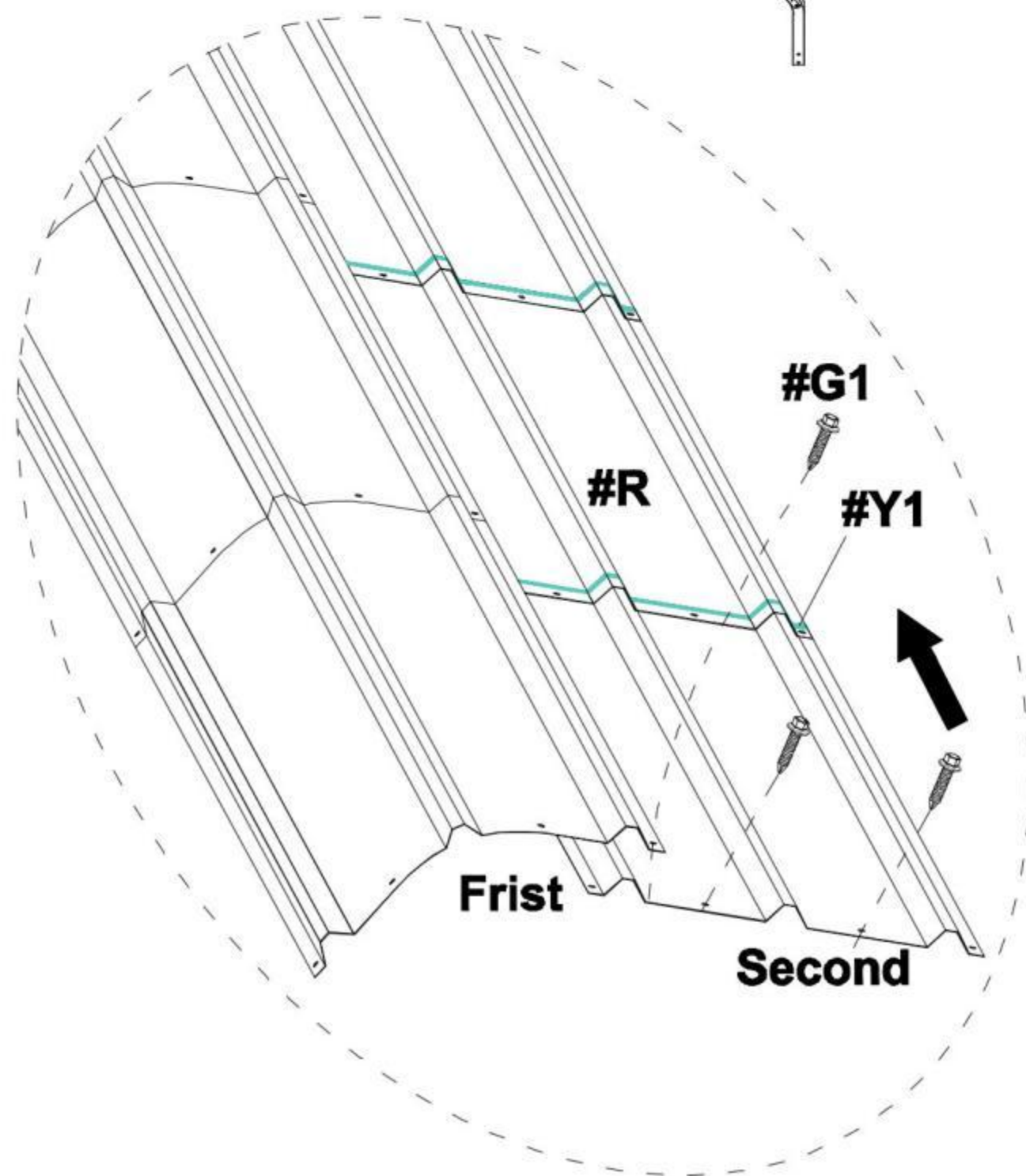
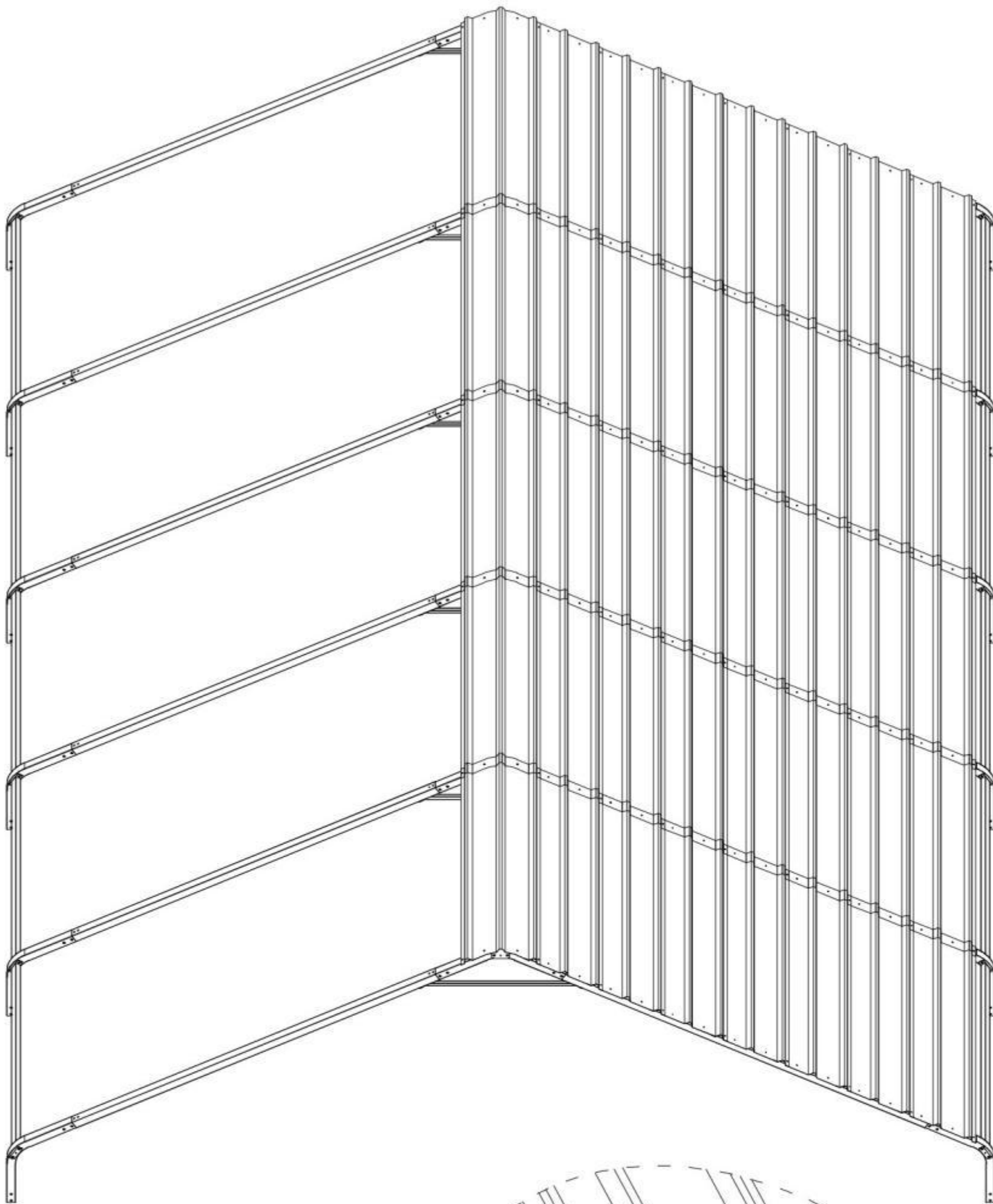


4.2) Same as the previous step, after pasting the Waterproof Tape (#Y1) of Roof Covers (#R), install the next Roof Covers (#R).






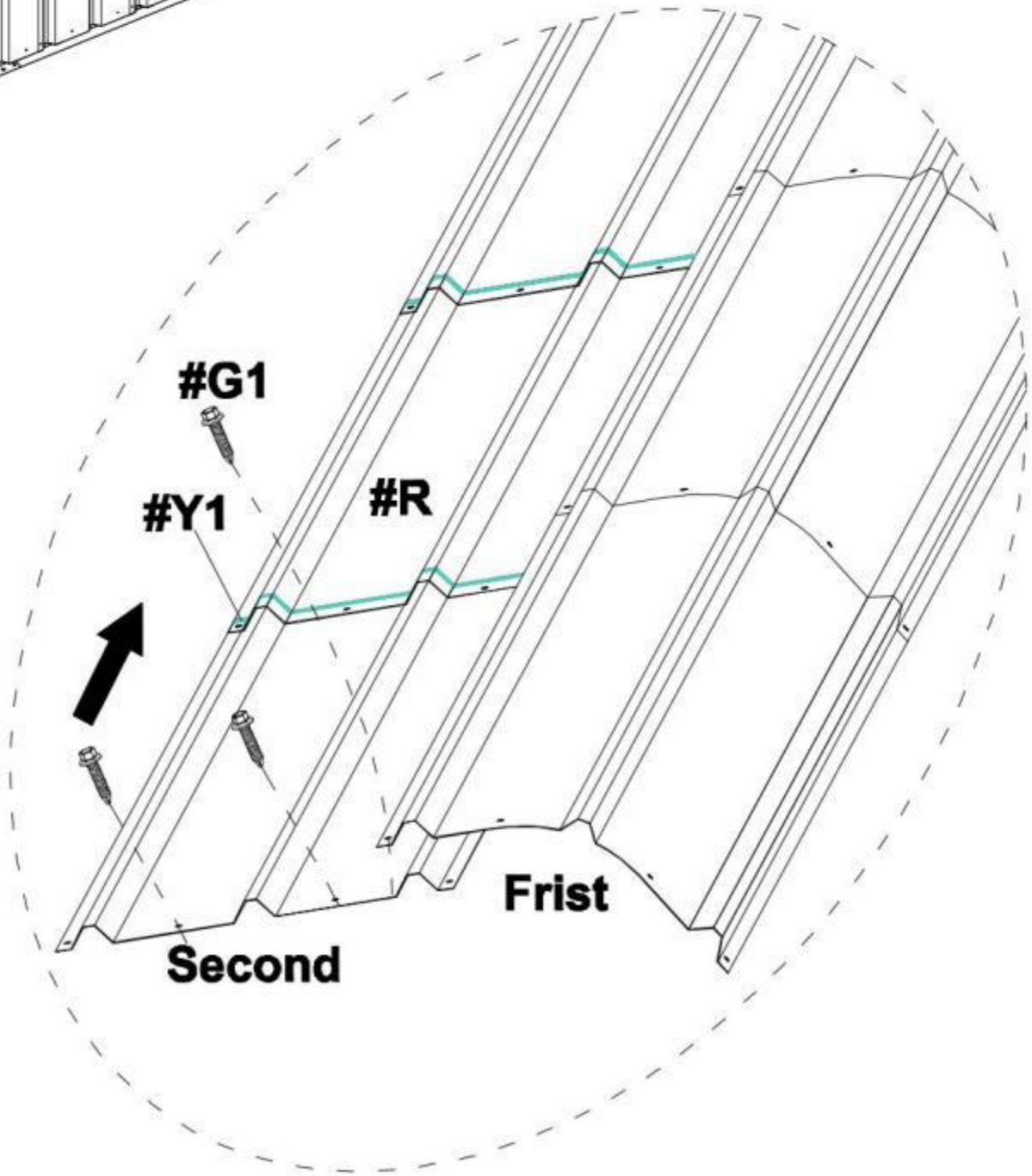
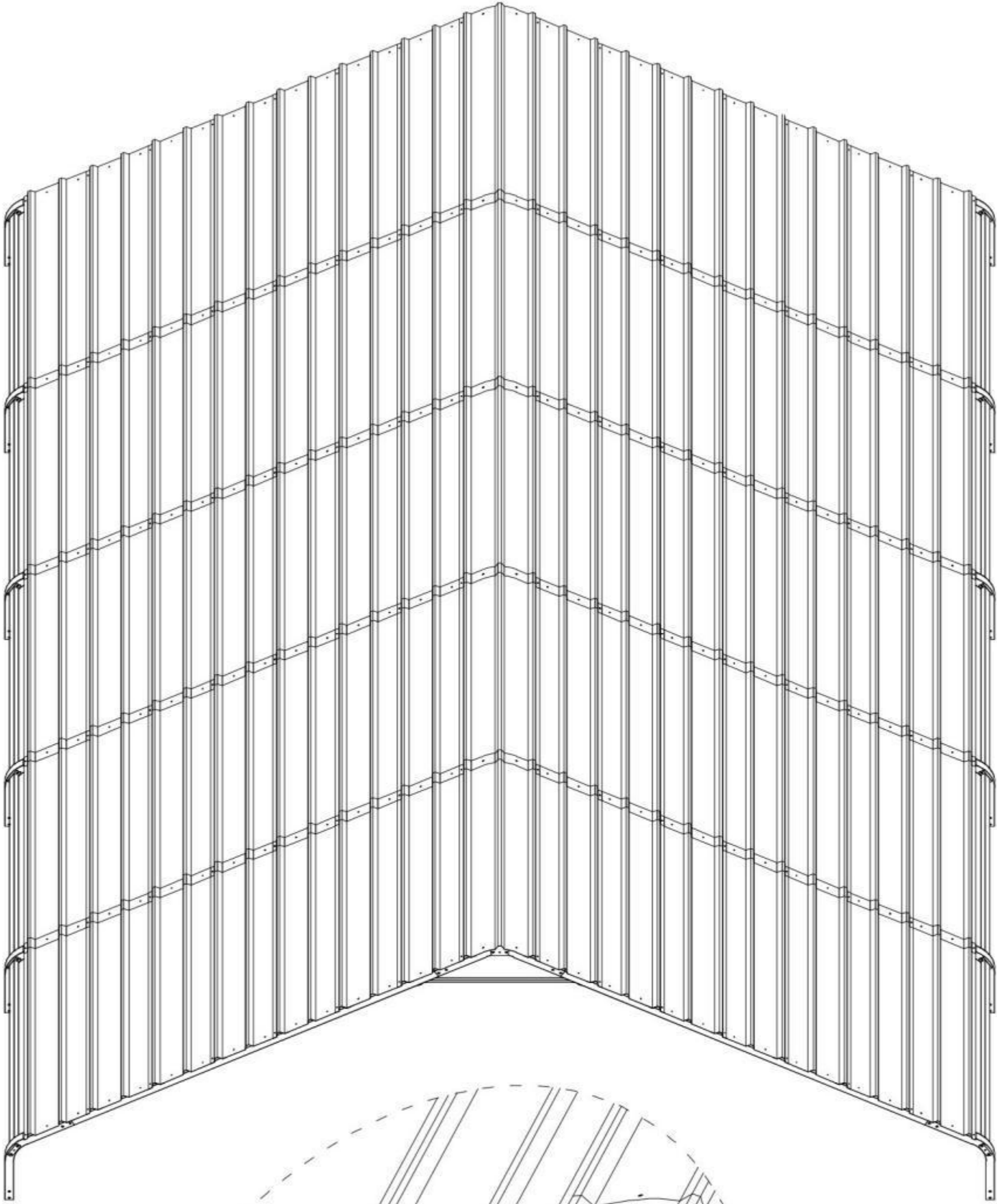
4.3) Follow the previous steps and continue to install the Roof Cover (#R) in the remaining 6 rows on the right.

#R		X30
#Y1		
#G1		X108



5.2) Same as the installation steps for the 6 rows on the right, please complete the installation of Roof Cover(#R) of the 7 rows on the left.

#R		X35
#Y1		
#G1		X126

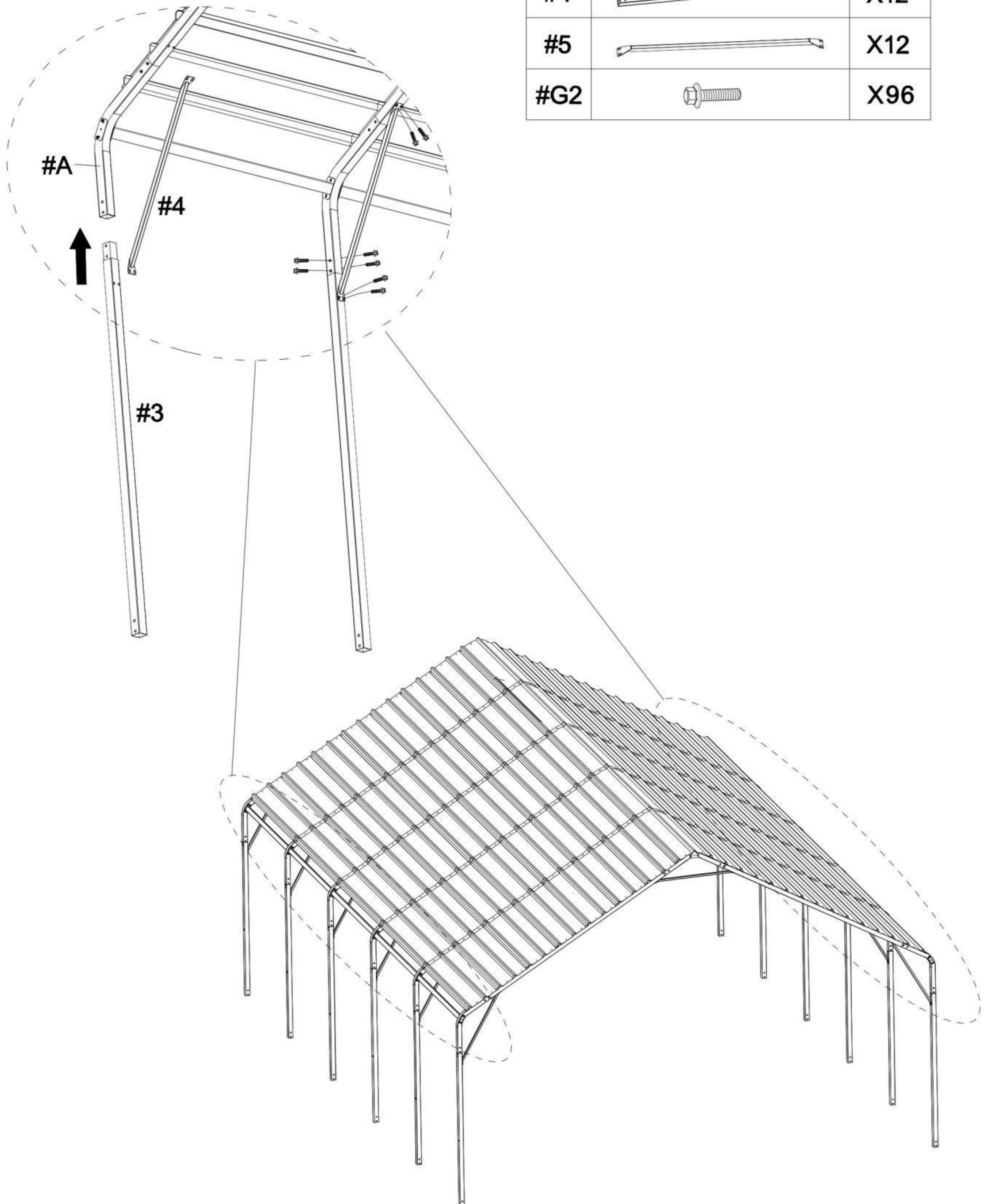


## STEP 5: Connect Legs

1) Install Leg Pole(#4) and Top Reinforcing pole(#5) to the Connector(#7).





2) The linking screws in this step are all: Hex Head Cap Bolt (#G2) .

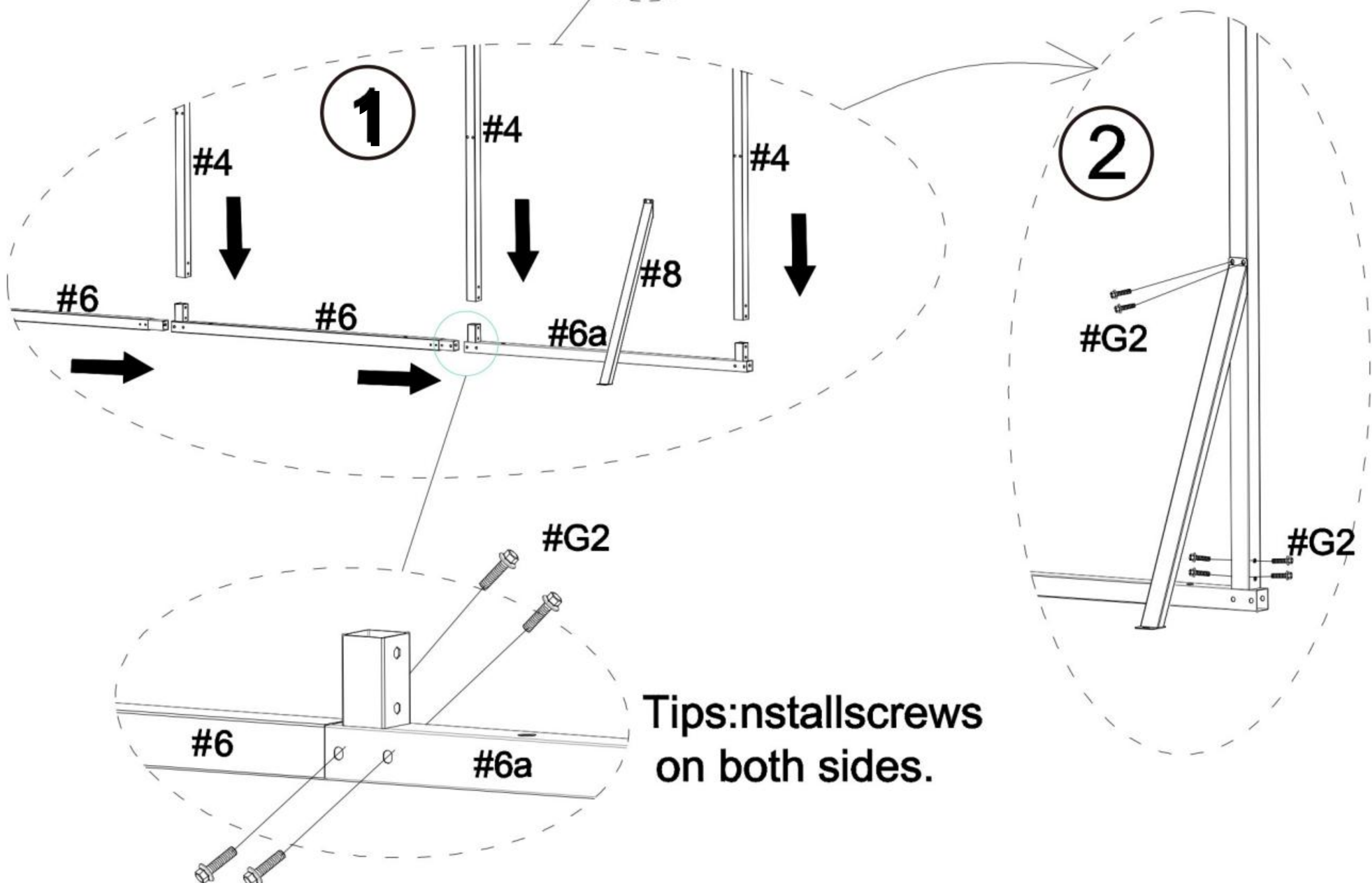
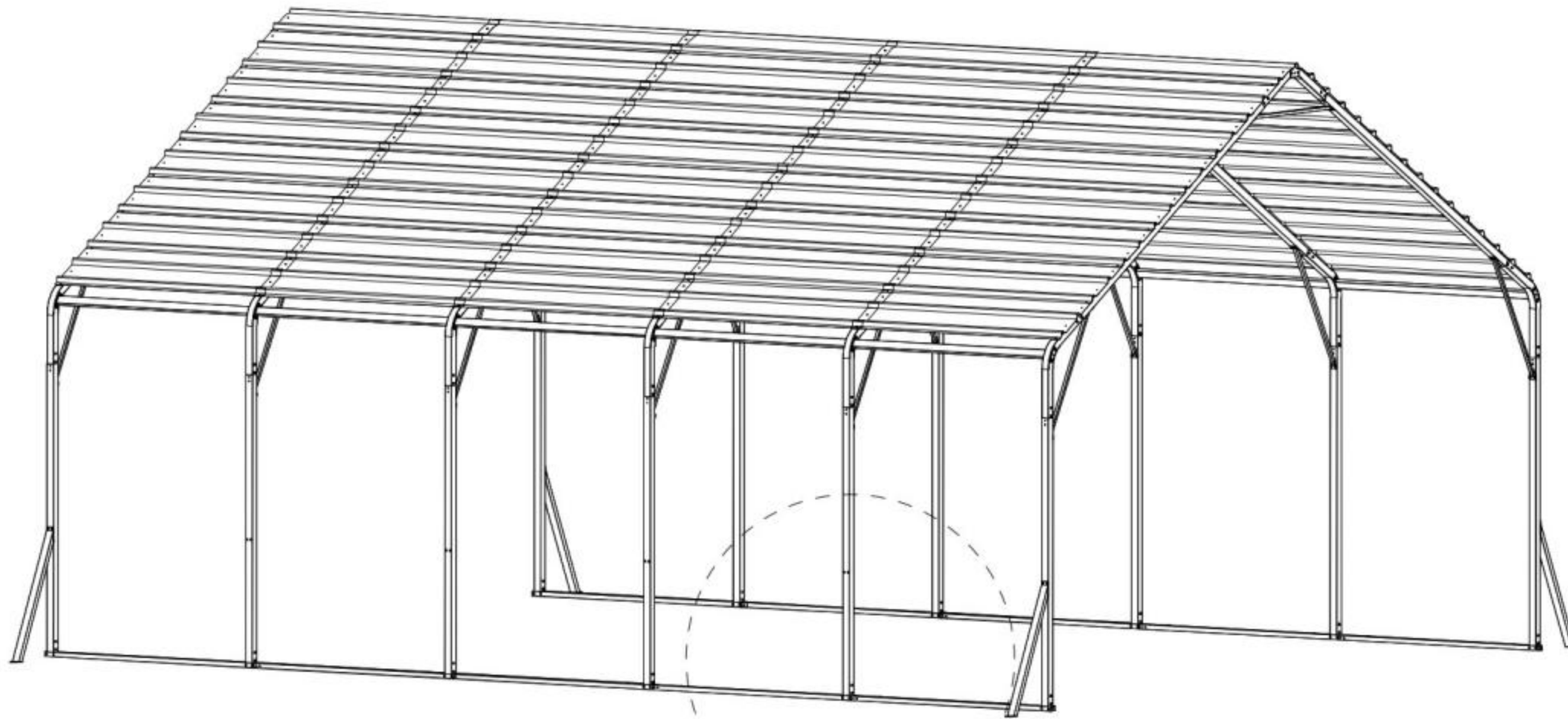
#4		X12
#5		X12
#G2		X96



## STEP 6: Reinforce the Frame



- 1) Connect all the Leg Pole (#4) to Ground bar 1 (#6) and Ground bar 2 (#6a)
- 2) The linking screws in this step are all: Hex Head Cap Bolt (#G2) and Expansion screws (#G3).

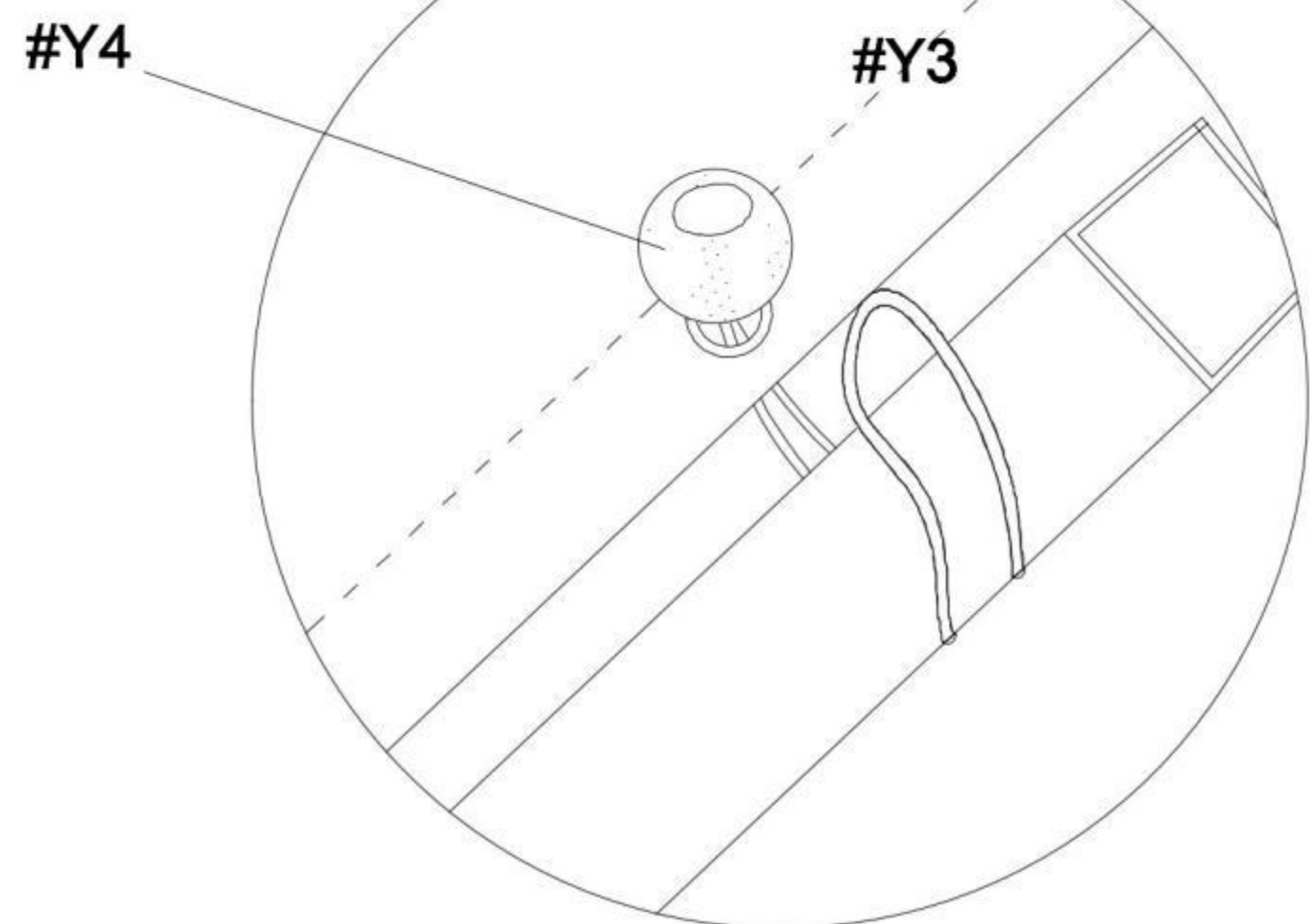
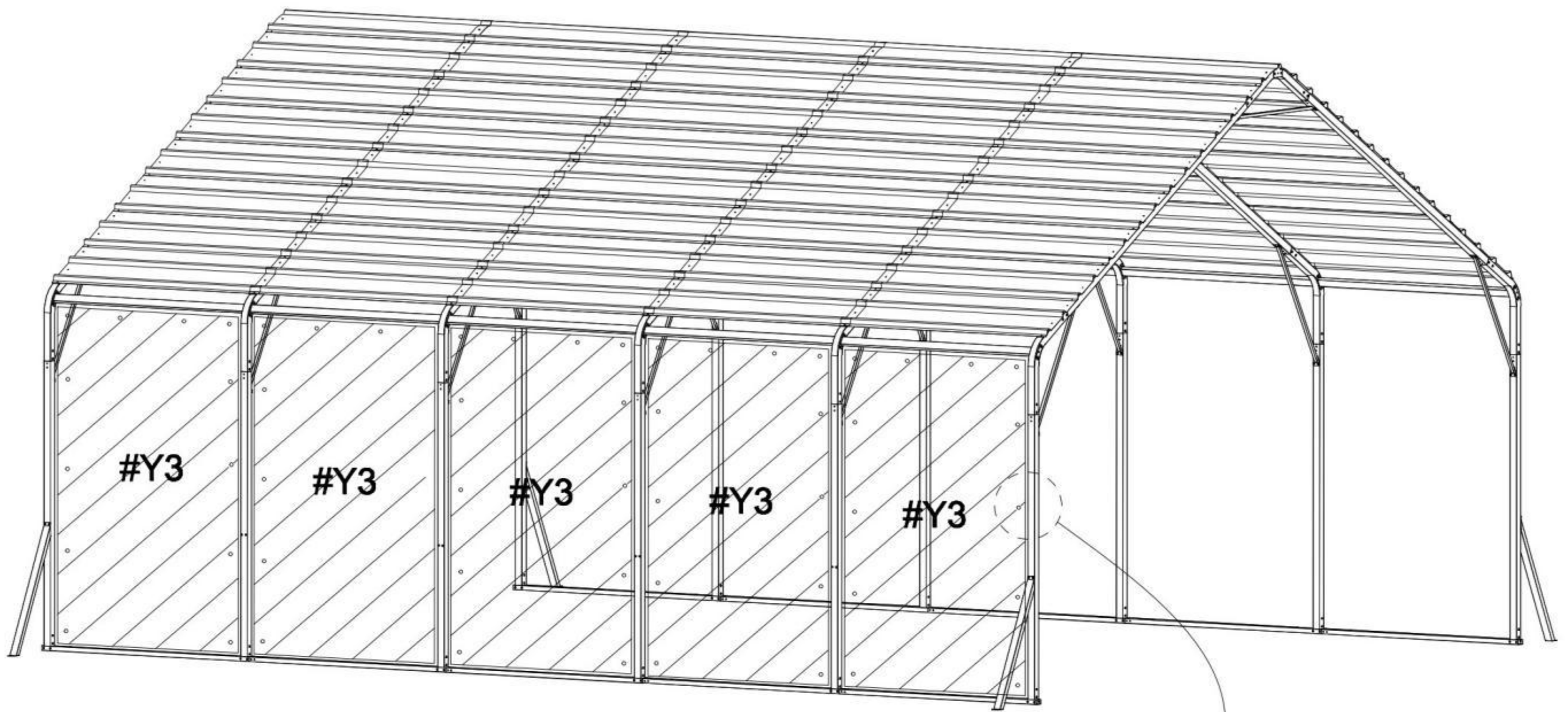
#6		X8
#6a		X2
#8		X4
#G2		X88



# STEP 7: Reinforce the Frame

Secure 5 wall cloths (#Y3) to the frame with rope beads (#Y4)



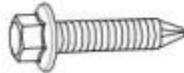
#Y3		X5
#Y4		X60

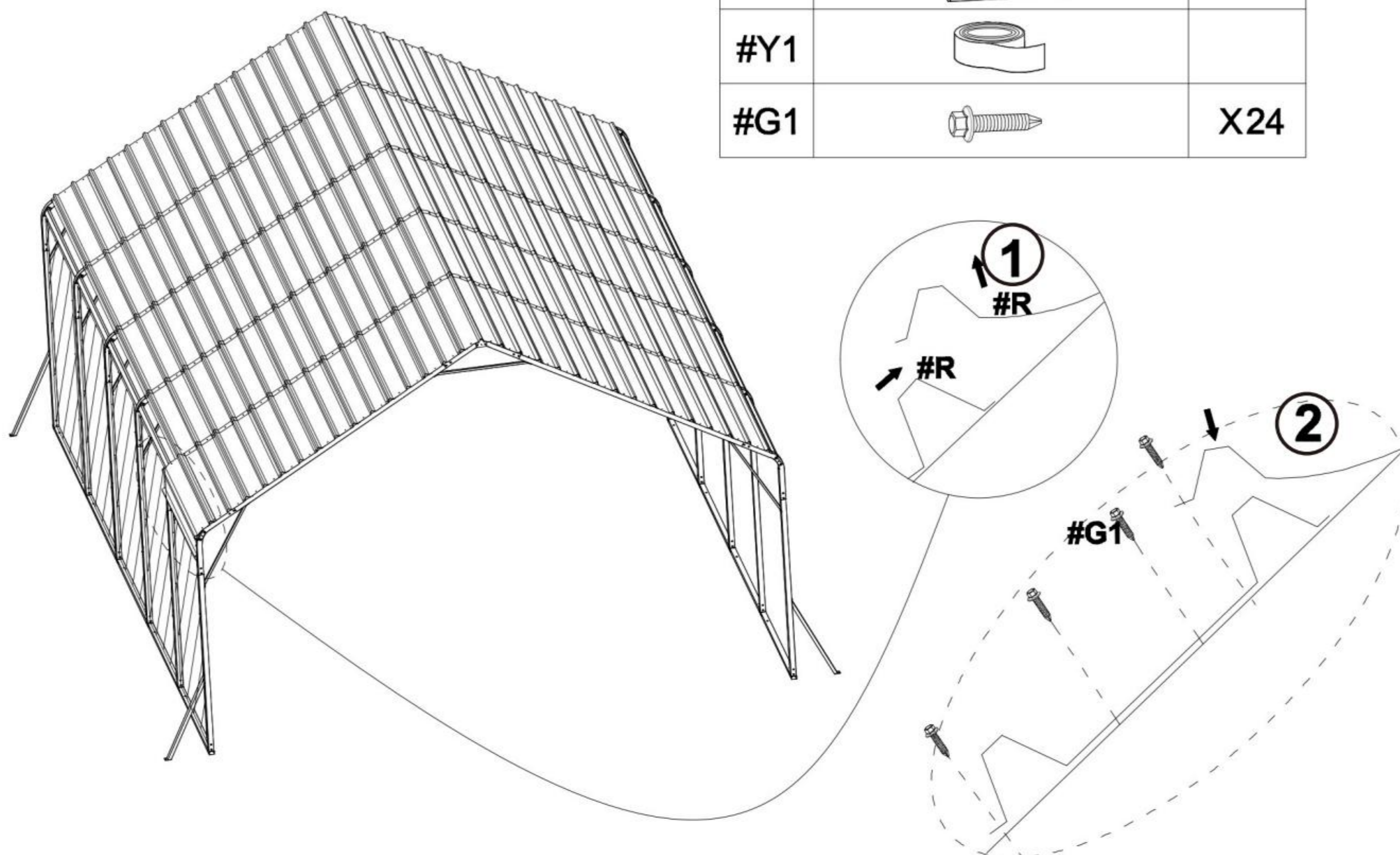


## STEP 8: Install the Side Roof

After installing the Leg Pole(#4), continue to install the Roof Cover (#R) in the 4 rows on the left and right sides.

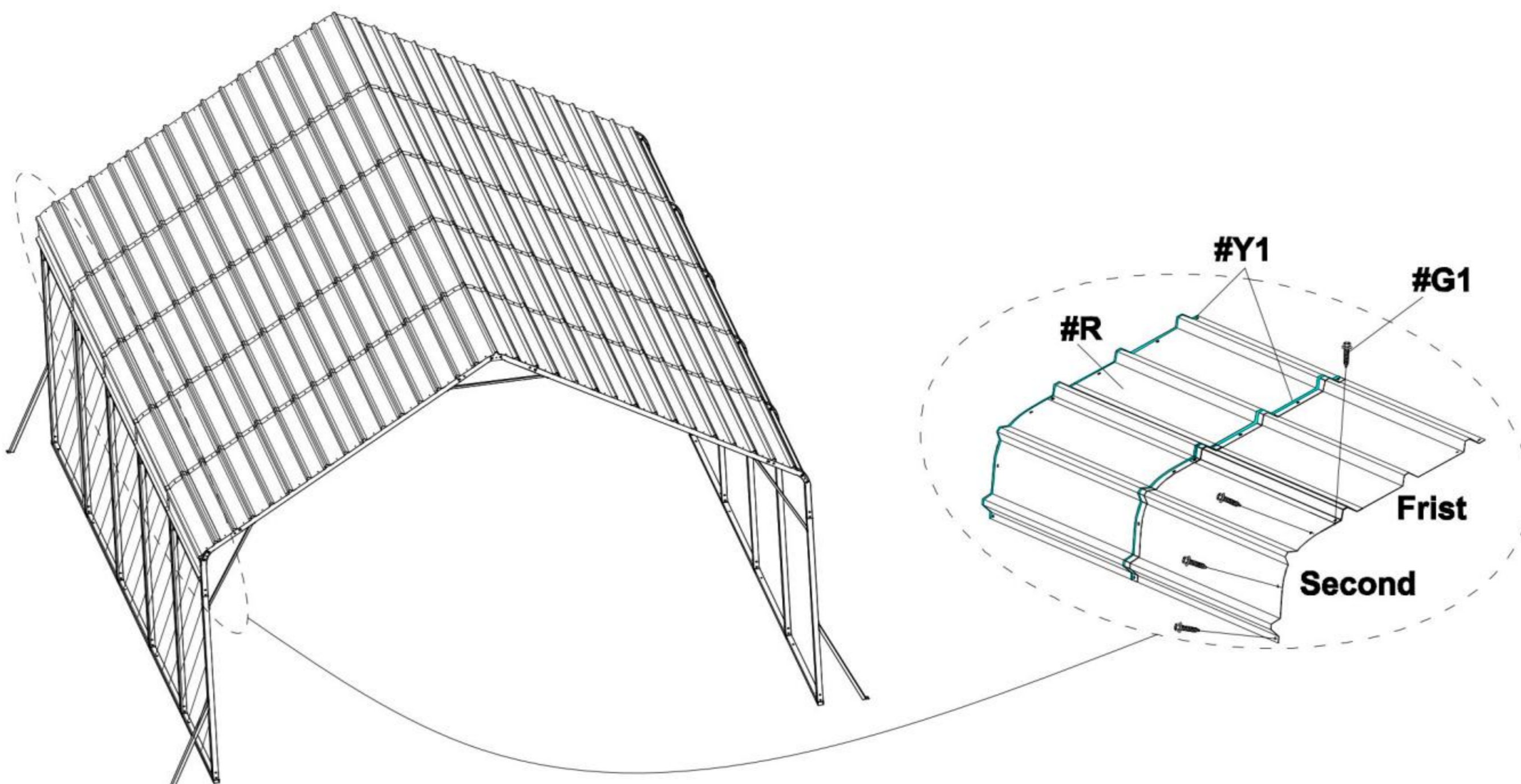
1) First install the Roof Cover (#R) in the left row, as shown in the picture.

#R		X5
#Y1		
#G1		X24

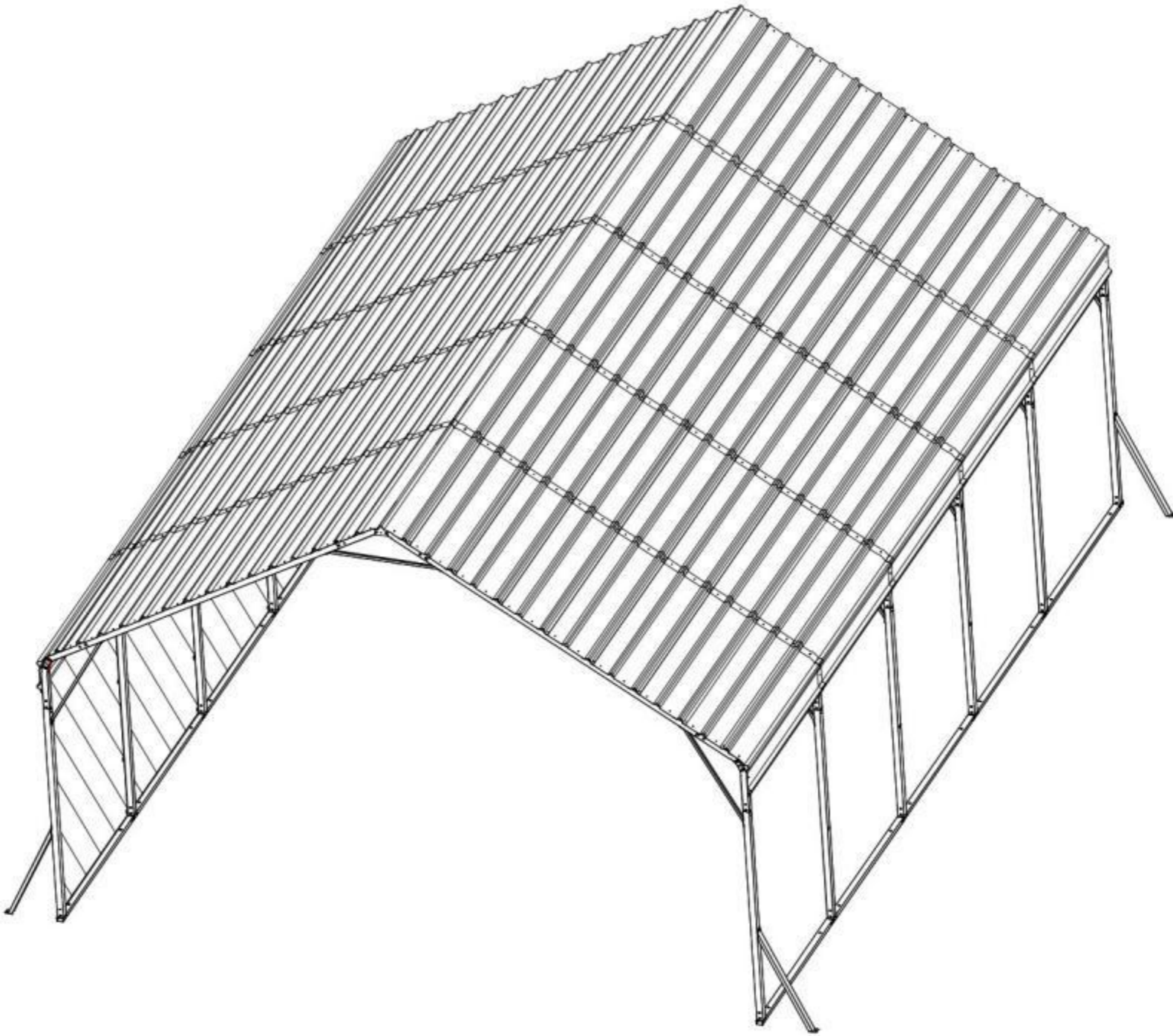




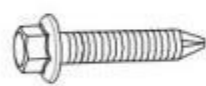

### Notice:

1. Make sure that the screw holes are aligned, and then press the Waterproof Tape (#Y1)
2. Make sure there are no gaps between the two roof covers to prevent water leakage
3. The second Roof Cover (#R) needs to be placed on the first Roof Cover (#R)



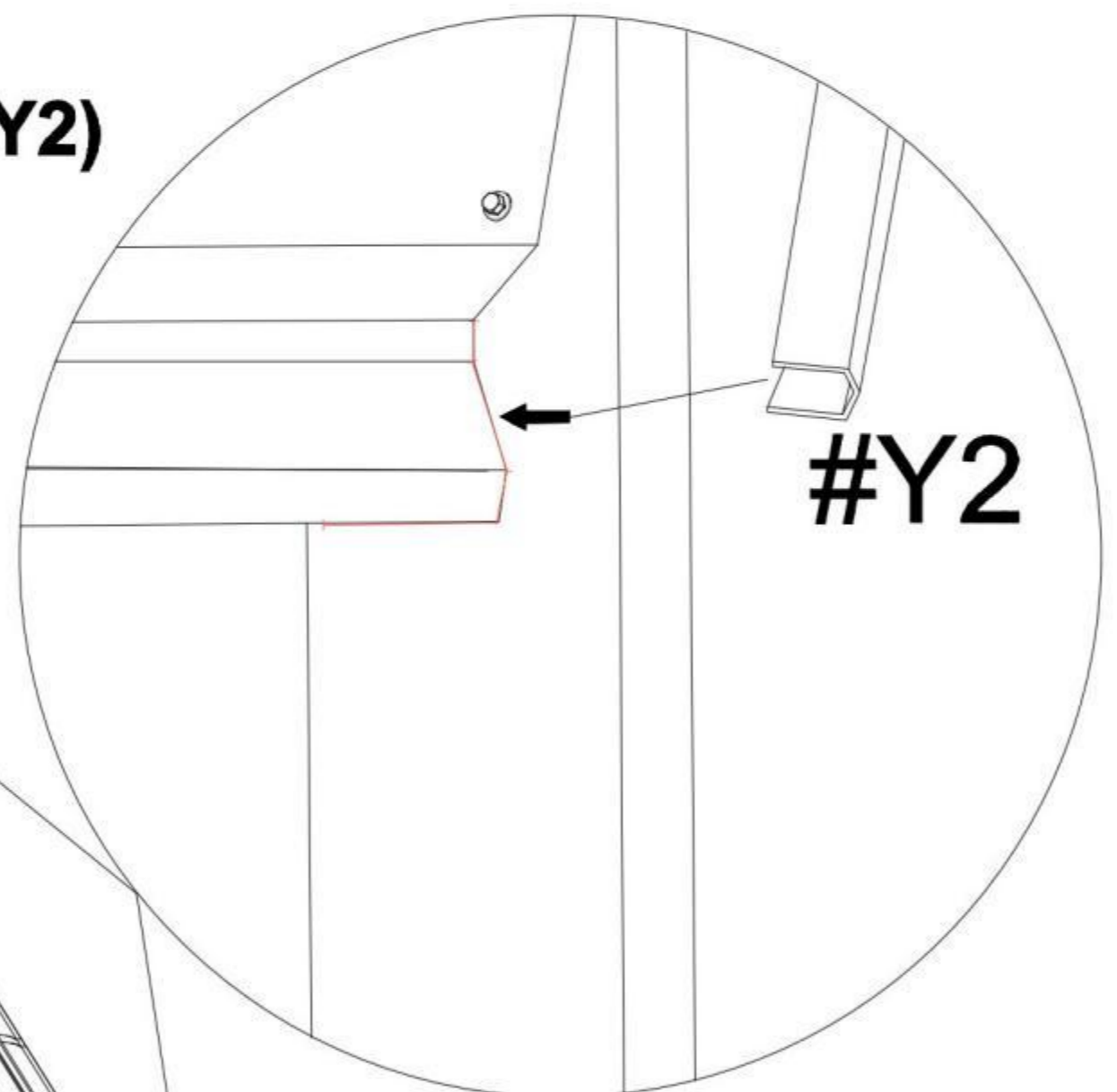
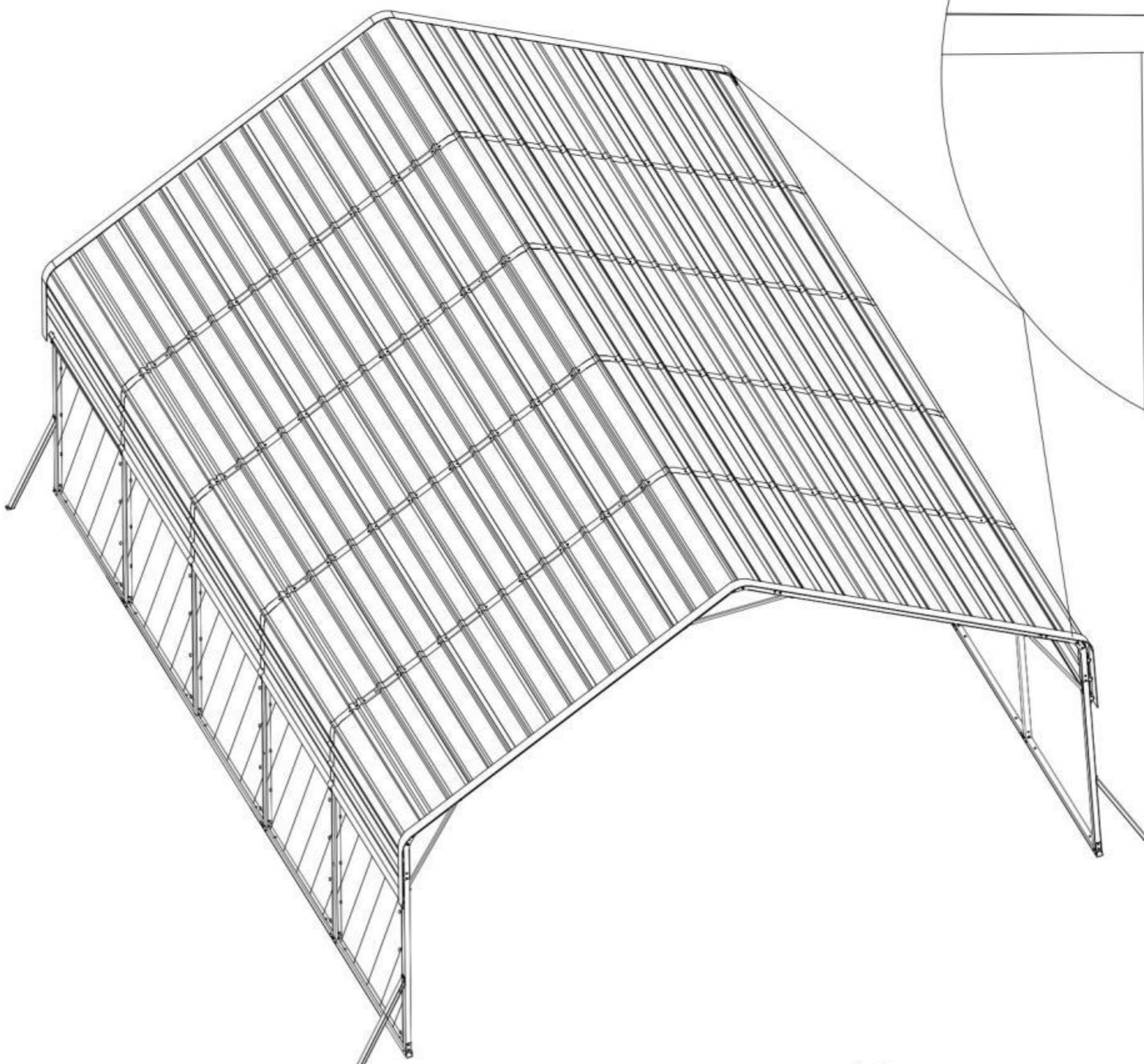
2) Follow the previous steps and continue to install the Roof Cover (#R) in the remaining 1 rows on the right.



#R		X5
#Y1		
#G1		X24
#Y2		

### STEP 9: Install the Anti-cut Tape (#Y2)

1) Wrap the Anti-cut Tape (#Y2) around the outer edge of the Roof Covers(#R).





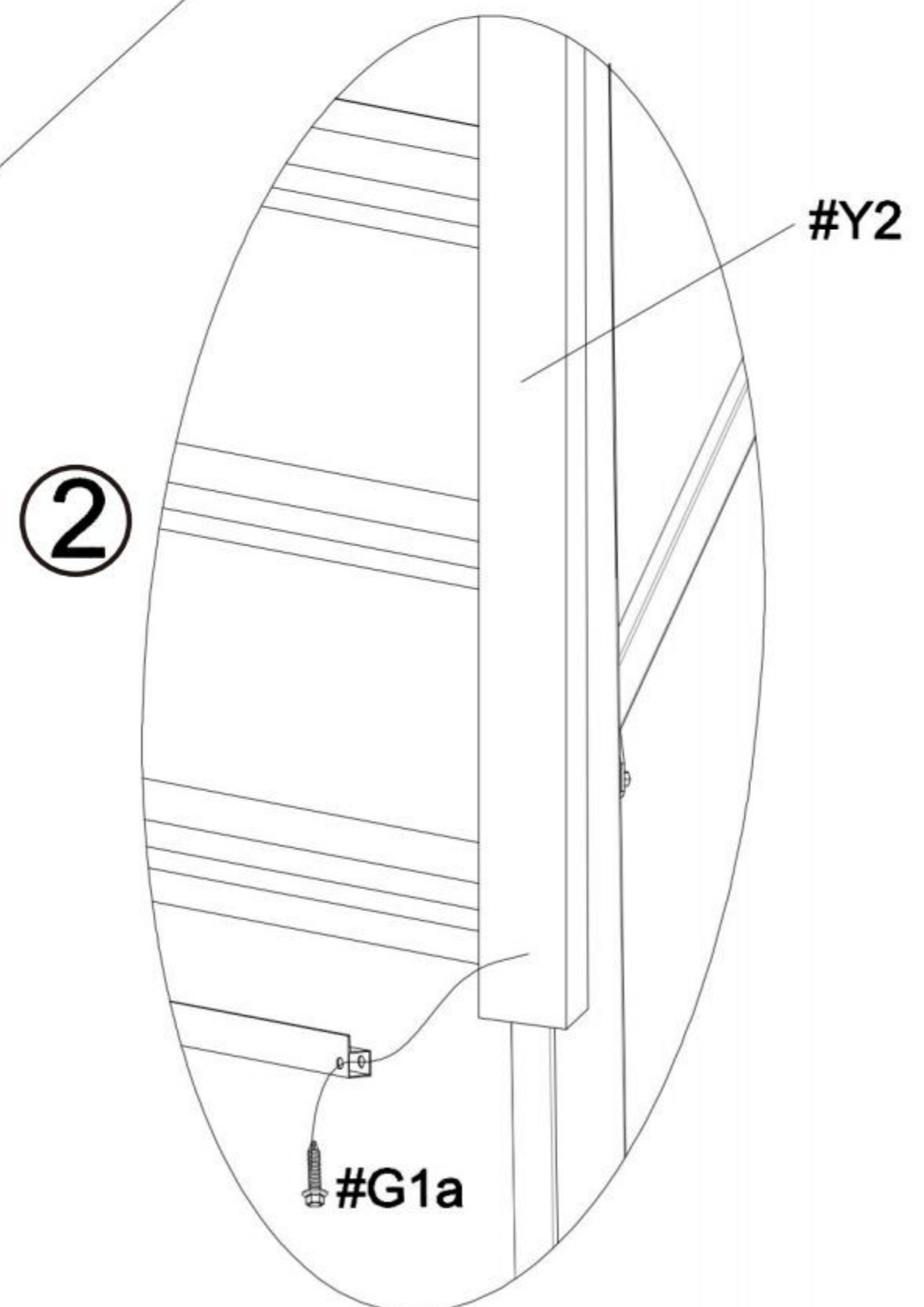
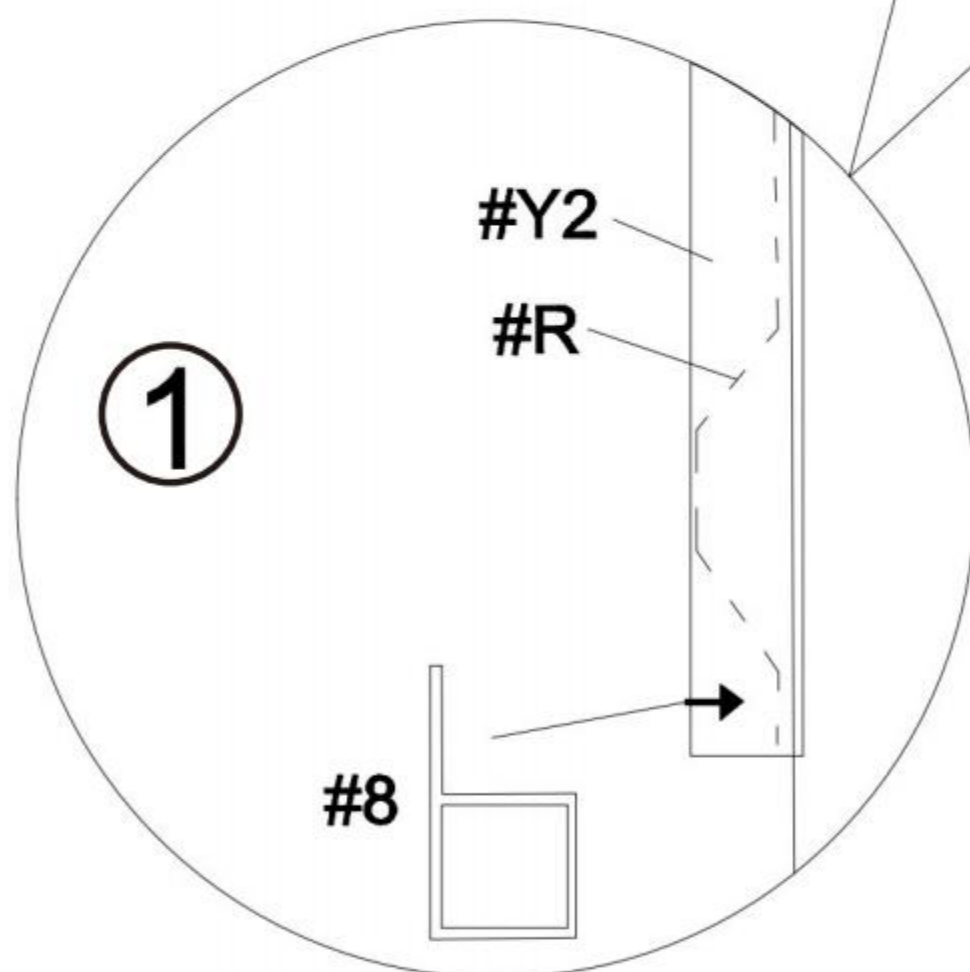
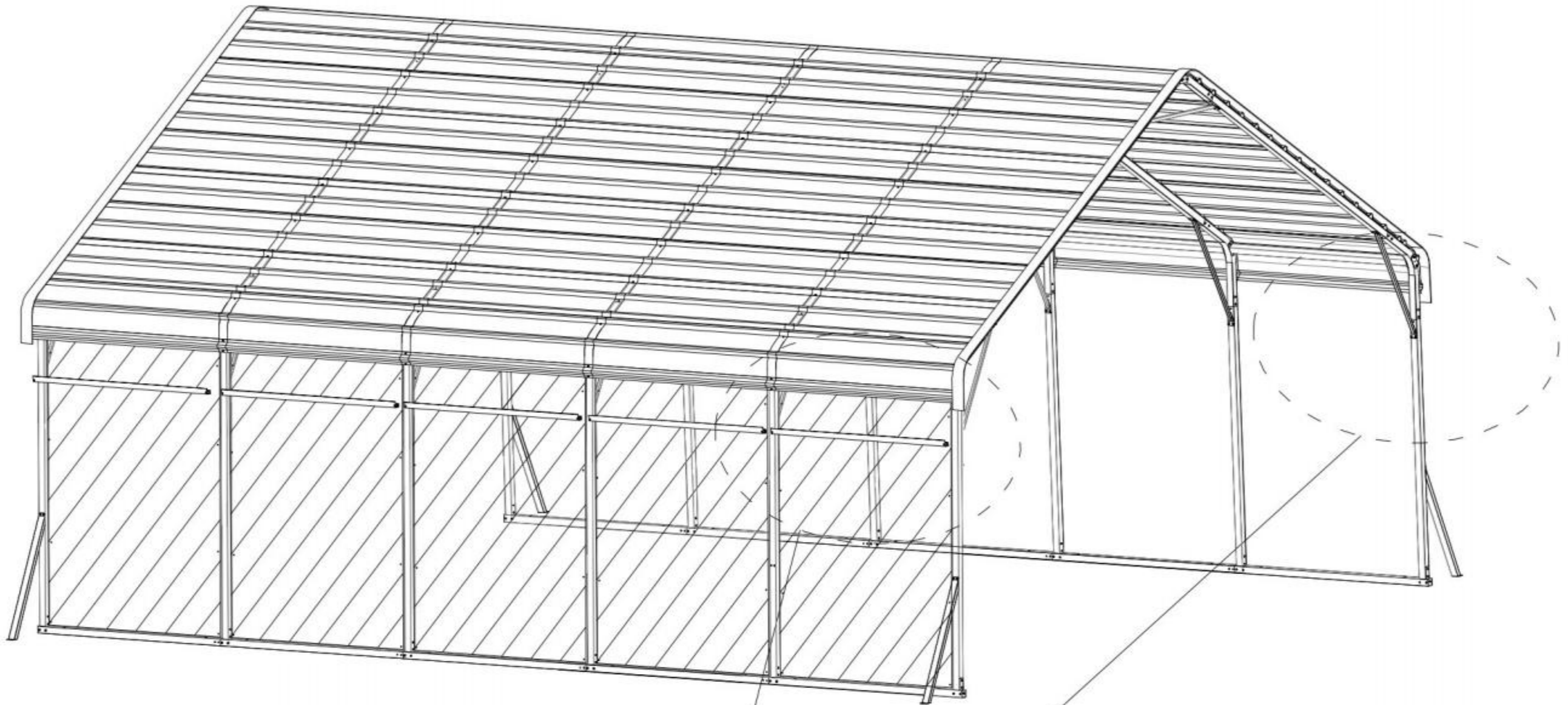
**Notice:**  
Be careful not to start from the 4 corners when wrapping the tape. Right angles are sharp and need to be avoided.

## STEP 10: Side-side defense pole

After installing I the Roof Cover (#R).on the left and right sides.

1) Install the Side-side defense pole(#9) in the left and right row, as shown in the picture.

#9		X10
#G1a		X20



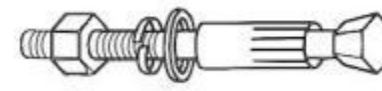
## STEP 11 : Anchor the Carport

Install the Anchor the Carport on the ground.

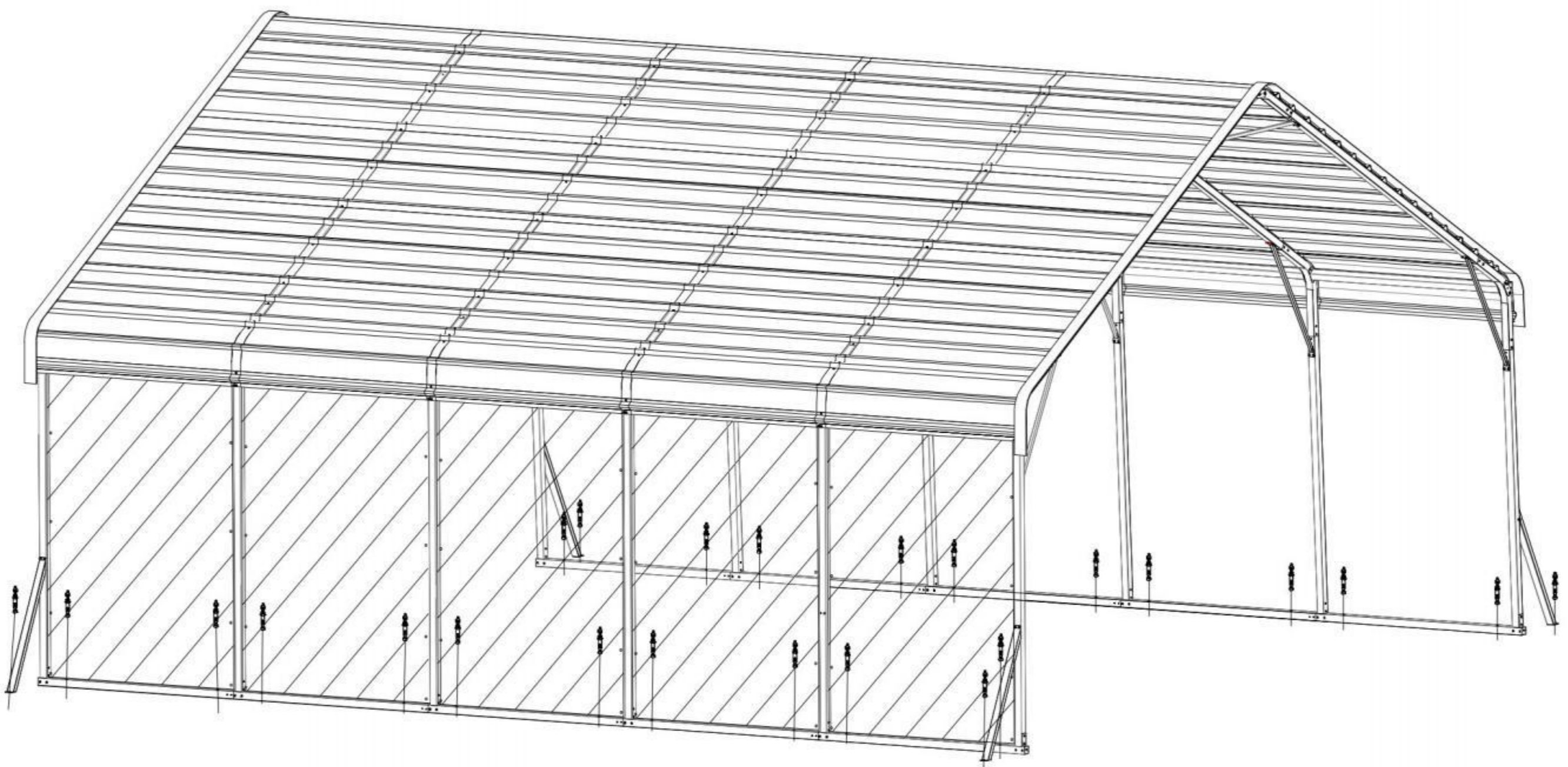
Notice:

The linking screws in this step are all: Expansion screws

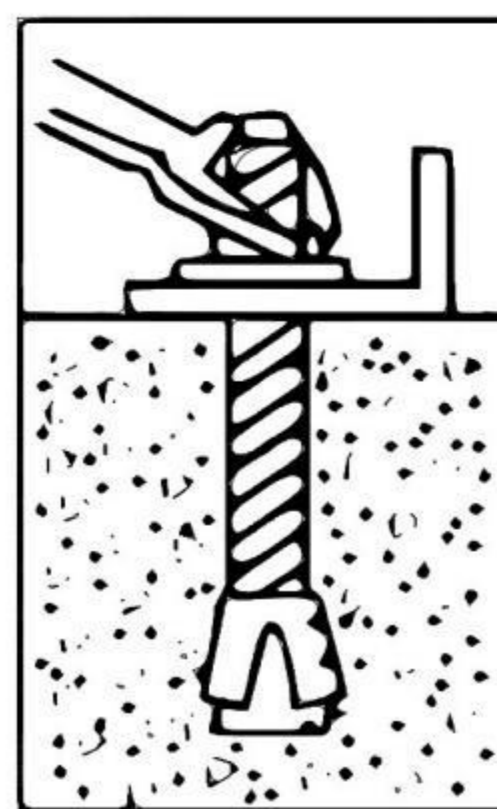
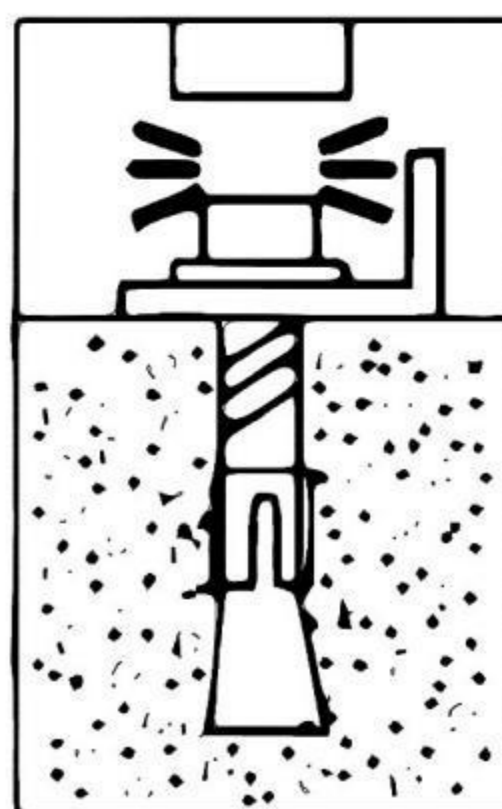
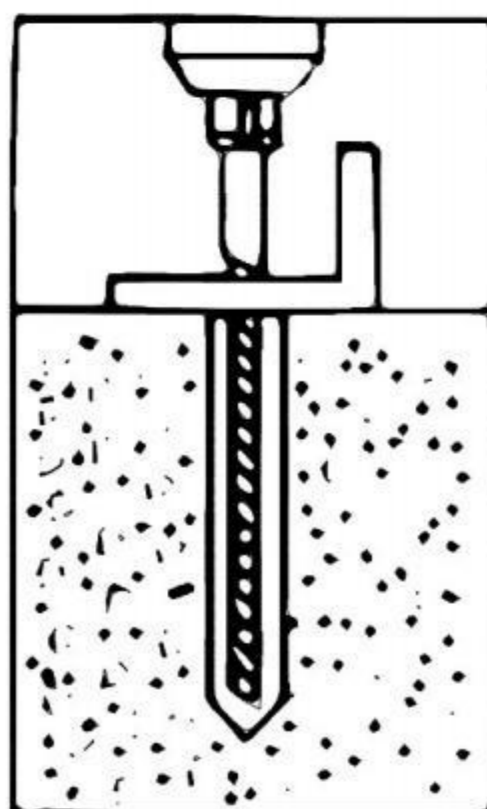
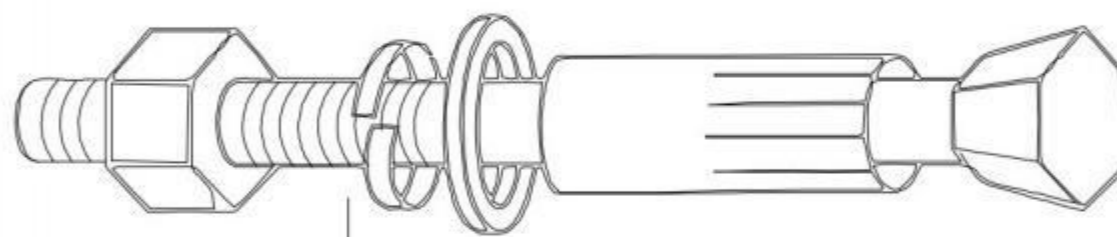
#G3



X24



#G3





**Teknisk Stöd och E - Garanti Certifikat [www . se / support](http://www.vevor.se/support)**