



# MAXI-COSI™

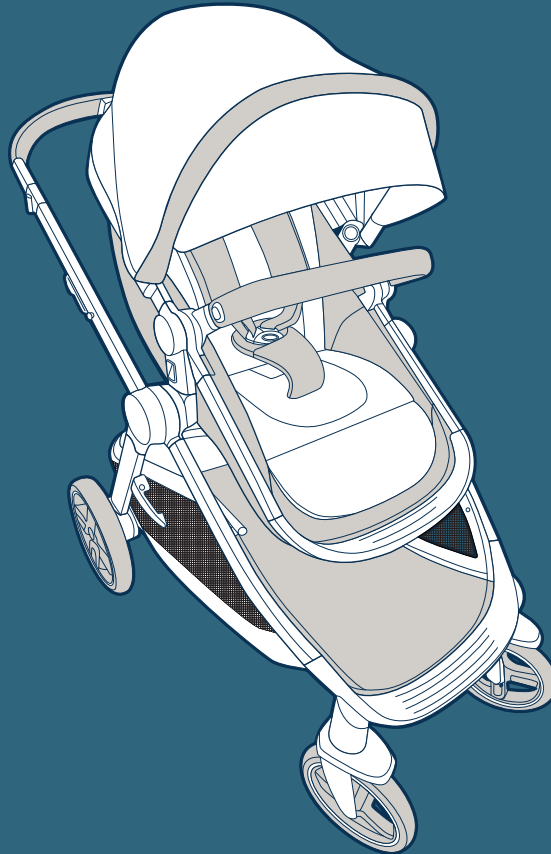
Zelia™ Pro

5-in-1 Modular Travel System

Max 50 lb (22.7 kg), 39 in (99 cm)

Your model may look different than the one shown.

TR493



## Table of Contents

Warnings	i	Stroller Care and Maintenance	10
Parts and Features	1	Replaceable Parts	10
Assembly	2-5	Warranty	10
To Use	6-9		

Read all instructions before assembly and use of product. Keep instructions for future use. Adult assembly required.

- **STROLLER** is suitable for a child up to 50 lb (22.7 kg) and **WHEN SEATED**, the midpoint of the child's head is at or below the top of the stroller seat.
- Storage basket maximum weight is up to 15 lb (6.8 kg).
- Cup holder maximum weight is up to 2 lb (0.91 kg).

## ⚠ WARNING

Failure to follow these instructions could result in the death or serious injury of your child.

- **NEVER LEAVE CHILD UNATTENDED. ALWAYS** keep child in view when in stroller.
- **AVOID SERIOUS INJURY** from falling or sliding out. **ALWAYS** use seat belt. Check frequently to make sure it is secure.
- Child may slip into leg openings and strangle. **NEVER** use in any reclined carriage position unless seat recline clip located on the seat back is detached.
- **ALWAYS** remove protective material and poly bags and dispose before assembly.
- **ALWAYS** keep fingers away from moving parts, when folding, unfolding, or adjusting stroller to prevent finger entrapment.
- **ALWAYS** make sure stroller is **FULLY OPEN AND LOCKED** before using.
- **ALWAYS** use the brakes when stroller is stopped.
- **NEVER** put hot liquids in the cup holder.
- **NEVER** place more than 2lbs in cup holder
- **NEVER** use stroller on stairs or escalators.
- **NEVER** rollerblade with stroller.
- **NEVER** allow children to play with or hang onto the stroller.
- **NEVER** allow children to climb into the stroller unassisted.

Stroller may tip over and injure child.

- **ONLY** use this stroller with **ONE** child at a time, unless manufacturer recommends otherwise.
- **NEVER** place or hang parcels, bags, or accessories on the product, handle, or canopy. The stroller may become unstable, or tip over.
- This product may become unstable if package carrying accessories, other than recommended by the manufacturer, are added.
- This product will become unstable if the manufacturer's recommended loads are exceeded.
- **STROLLER** is only for use with children up to 50 lb (22.7 kg), and **WHEN SEATED**, the midpoint of the child's head is at or below the top of the stroller seat.
- For children who can sit up unassisted, the stroller seat can be used in the upright/reclined position. For newborn babies, only use the stroller in carriage mode or with an appropriate infant car seat.



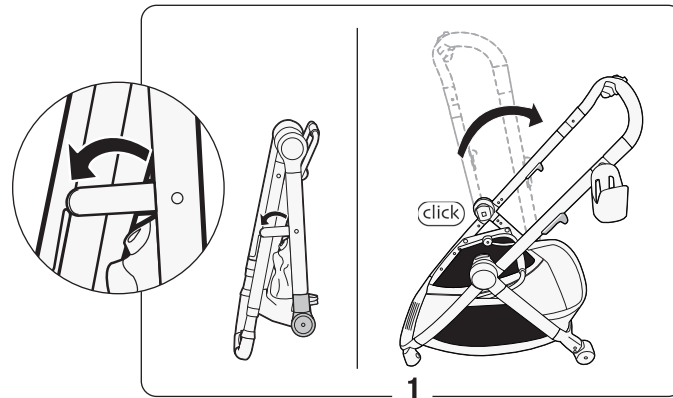
- A** Adjustable height handle
- B** Cup holder
- C** Frame fold release levers (2)
- D** Frame
- E** Rear wheels (2)
- F** Front wheels (2)
- G** Car seat adapters
- H** Seat mount hubs (2)
- I** Fold handle
- J** Frame lock
- K** Canopy with extendable mesh panel
- L** Seat recline/fold lever
- M** Seat recline clip
- N** Seat/Carriage
- O** Seat removal buttons (2)
- P** Bumper bar

Please find the separate car seat instruction manual that came with your car seat.

- Lay out and identify all parts.
- Please do not return this product to the place of purchase. To address any issues or for helpful information on assembly, installation or use, please visit us at [www.maxicosi.com](http://www.maxicosi.com), call Consumer Care at 1-800-544-1108, text us at 1-812-652-2525, or email us at [support@djgusa.com](mailto:support@djgusa.com).
- Include the model number (TR493) and manufacture date (found on stroller frame) and a brief description of the part.
- Keep these instructions for future use.

## 1 Unlock the Stroller

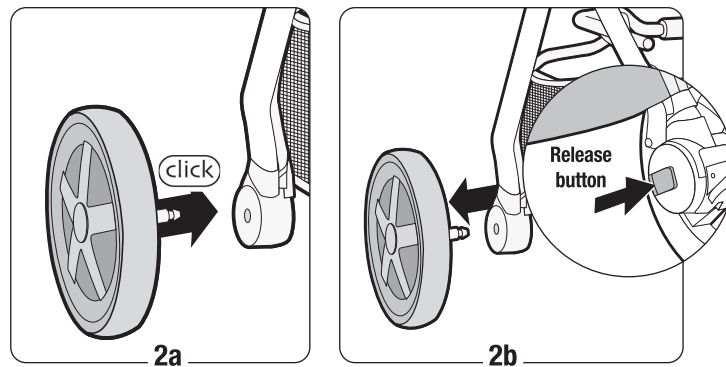
Release the stroller's frame lock by pulling it away from the stroller frame. Once the frame lock is released, pull up on the handlebar until the stroller unfolds. It will click into place when fully unfolded.



## 2 Install the Rear Wheels

Insert the rear wheel axle into the frame until it clicks into place (Figure 2a). Repeat for the other wheel. Pull to confirm that the wheels are assembled securely.

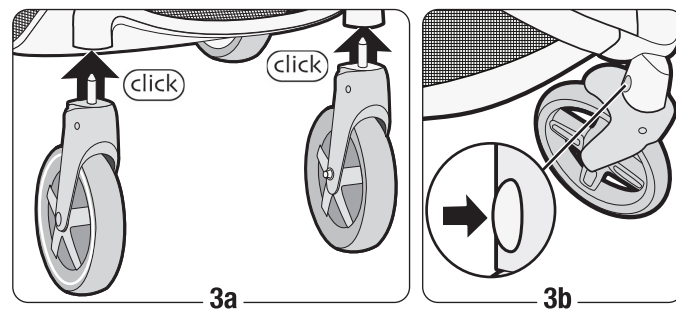
**To remove the rear wheels:** Push in the release button on the frame and pull the wheel off (Figure 2b). Repeat with the other rear wheel.



## 3 Install the Front Wheels

Insert the front wheels until they click into place (Figure 3a).

**To remove the front wheels:** Lay the stroller down on its rear wheels. Press the front wheel release button and pull off the wheel from the frame (Figure 3b). Repeat with the other front wheel.



## ⚠ WARNING

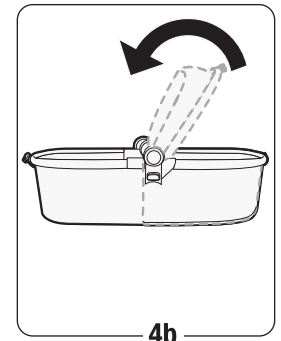
- Child may slip into leg openings and strangle. Child may slip into leg openings and strangle. **NEVER** use in any reclined carriage position unless seat recline clip located on the seat back is detached.

## 4 Unfold the Carriage/Seat

Choose whether to install the carriage or the seat. The carriage/seat may be installed parent-facing or world-facing (Figure 4a).

Unfold the carriage or seat and fully recline it (Figure 4b). The seat will click into place when unfolded. For the carriage, ensure that the clip behind the seatback is unclipped (see Figure 6b on page 4).

See page 4, step 6 to convert between seat and carriage mode.



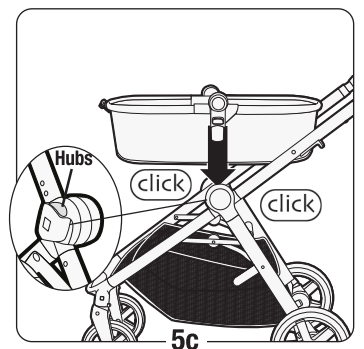
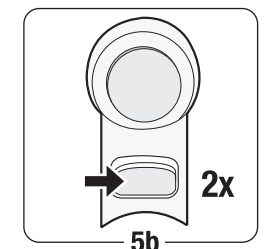
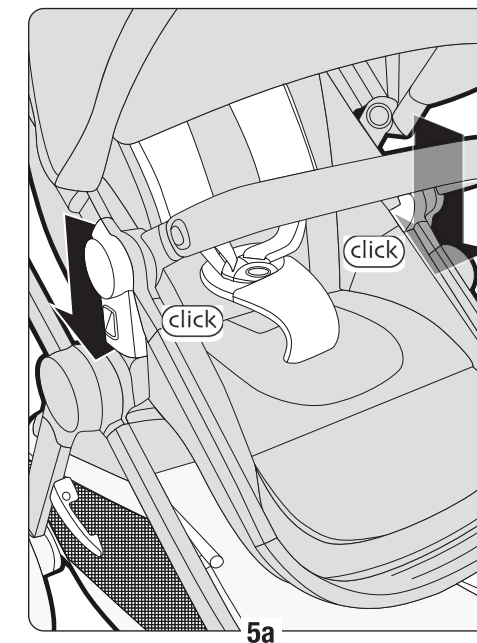
## 5 Installing the Carriage/Seat

Face the carriage/seat either parent-facing (towards the handlebar) or world-facing (forward).

Lower the carriage/seat onto the hubs until it clicks into place (Figure 5a and 5c). Pull up on the carriage/seat to confirm that it is assembled securely.

**To remove the carriage/seat:** Press the release buttons on both sides while lifting the seat off the frame (Figure 5b).

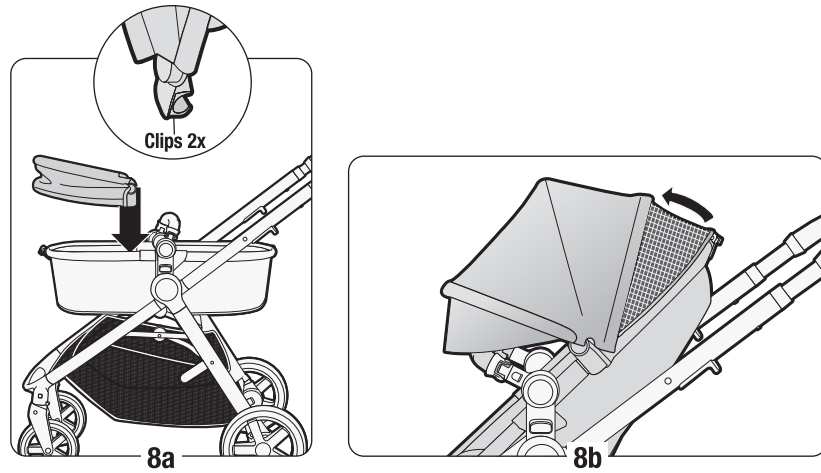
See page 4, step 6 to convert between carriage and seat mode.



## 6 Canopy

Fasten the canopy to the carriage/seat using the rear zipper. Slide the canopy post clips down until they click into place in the clip slots (Figure 8a).

Extend the canopy (Figure 8b). At the front of the canopy, pull outward on the flip-out visor. At the back of the canopy, unzip to reveal a mesh panel that provides additional coverage.



## 7 Convert between Carriage and Seat Mode

The carriage may be parent-facing or world-facing (Figure 6a).

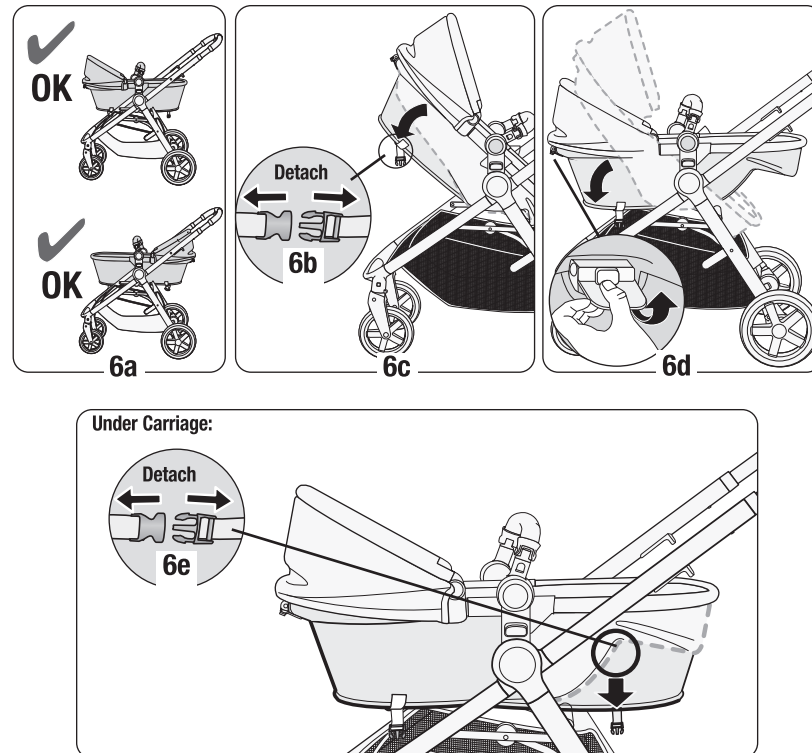
Detach the seat recline clip located on the upper half of the seatback (Figure 6b) to let the seatback drop down (Figure 6c).

Locate the Recline/Fold lever at the top of the seat frame. While pushing the button on the Recline/Fold lever, lift the Recline/Fold lever and rotate the seat back until it is flat (Figure 6d).

Detach the clip underneath the footrest (Figure 6e).

Reverse this procedure to convert the carriage back to seat mode.

For easier access to the clips, remove the seat from the stroller frame and flip the seat upside down. To remove the seat, see page 3, step 5.



## 8 Bumper Bar

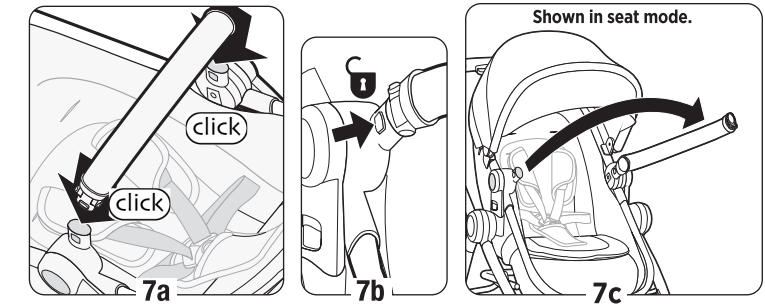
Always secure your child with the restraining straps. See page 8, step 15 for more details.

Insert the posts of the bumper bar into the holes on the frame until they click into place (Figure 7a). Pull up on the bar to confirm that it is assembled securely.

**To open the bumper bar:** Press one release button and pull out on one side (Figures 7b and 7c).

**To remove the bumper bar:** Press both the release buttons while lifting the bar off the frame (Figure 7b).

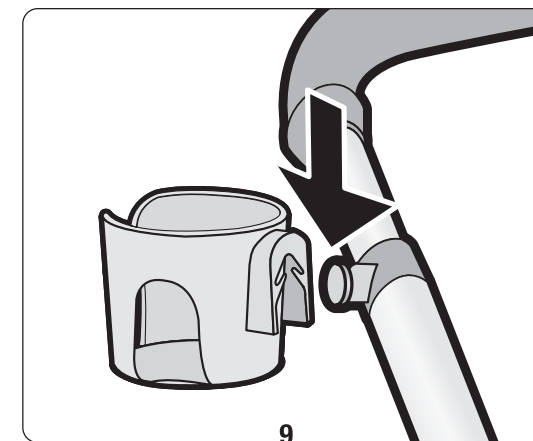
**DO NOT** use the bumper bar to lift or carry the stroller.



## 9 Cup Holder

The cup holder can be installed on either side of the stroller handle. Slide the cup holder down onto the knob until it locks in place (Figure 9).

**To remove the cup holder:** Push up on the bottom of the cup holder until it slides off the knob.

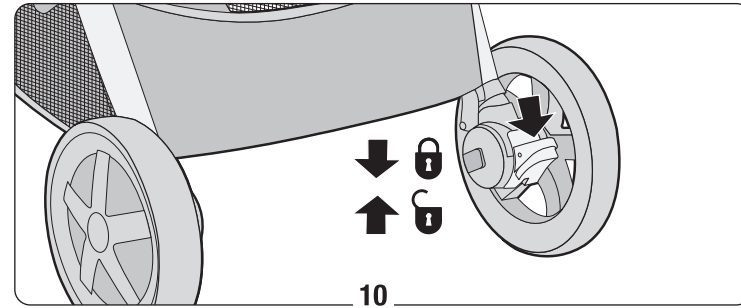


### 10 Parking Brake

Always use the parking brake, even when standing still for only a few moments!

**To lock the parking brake:** Push down on the pedal near the rear wheel (Figure 10).

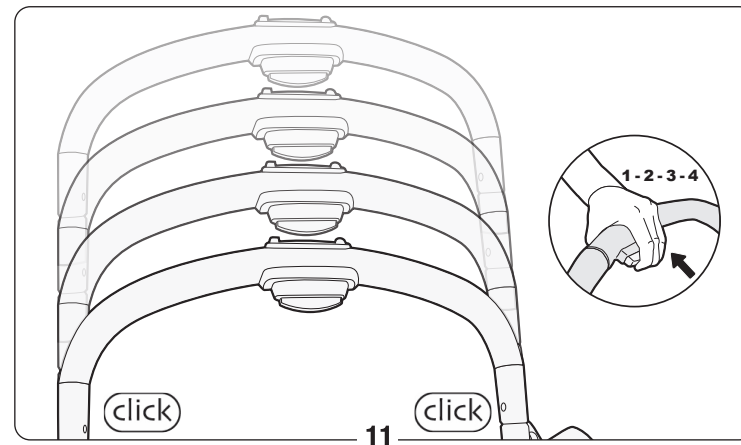
**To unlock the brake:** Lift up on the pedal near the rear wheel (Figure 10).



### 11 Adjust the Handlebar Height

Squeeze the adjustment button and slide the handlebar to the desired height (Figure 11).

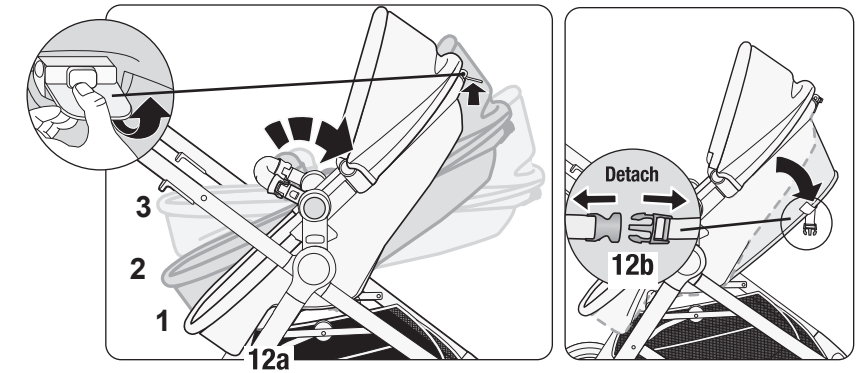
There are four possible height positions. Both sides of the handlebar will click into place.



### 12 Adjusting the Recline

**To rotate the seat forward or backward:** Lift the Recline/Fold lever and rotate the seat (Figure 12a).

**To drop the seatback down:** Detach the seat recline clip located on the upper half of the seatback (Figure 12b).



### 13 Fold Stroller

The seat can remain on the frame when folding the stroller if it is world-facing. The stroller cannot be folded if the seat is parent-facing. The stroller can also be folded without the seat.

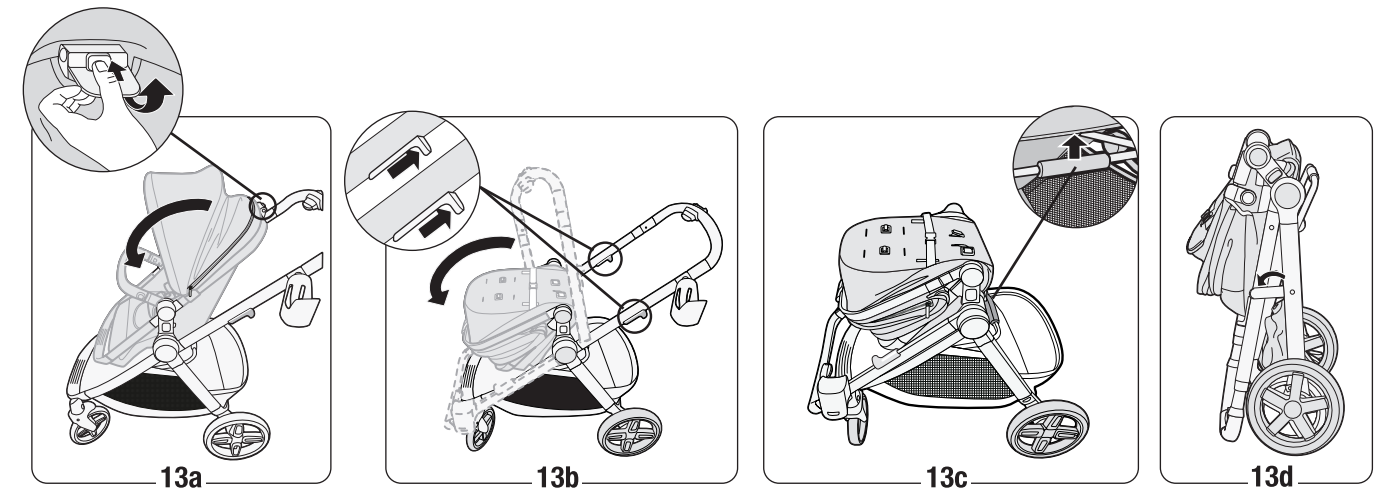
Close the canopy. Lock the parking brake before folding.

Lift the Recline/Fold lever while pressing the button on the Recline/Fold lever. Fold the seat forward (Figure 13a).

Pull up on both frame fold release levers and fold the handlebar forward (Figure 13b).

Pull up on the frame fold handle and lift upwards to fold the stroller (Figure 13c).

Make sure the frame lock is latched properly (Figure 13d).

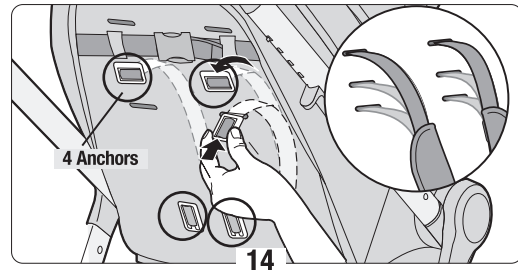


**⚠ WARNING**

- For proper installation of the restraint system, make sure all four (4) anchors lay flat against the back board.
- **NEVER** use stroller without BOTH restraint and crotch straps. **WHEN SEATED**, the midpoint of the child's head is at or below the top of the stroller seat.

**14 Adjust Restraint Heights**

The shoulder straps have three possible height positions. Push each anchor through the seatback and into the desired slot (Figure 14). Make sure that the anchors lay flat against the seatback (Figure 14).



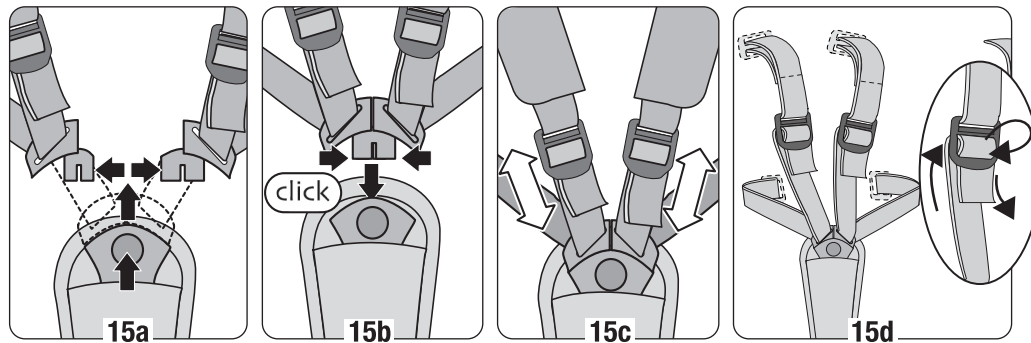
**⚠ WARNING**

**AVOID SERIOUS INJURY** from falling or sliding out. **ALWAYS** use seat belt. Check frequently to make sure it is secure. Belts must be threaded exactly as shown in Figure 15d.

**15 Using the Restraint System**

Unbuckle the restraint system by pressing the center button (Figure 15a). Place your child in the stroller, with the buckle strap between your child's legs. Fit the clips into the buckle until they click into place (Figure 15b).

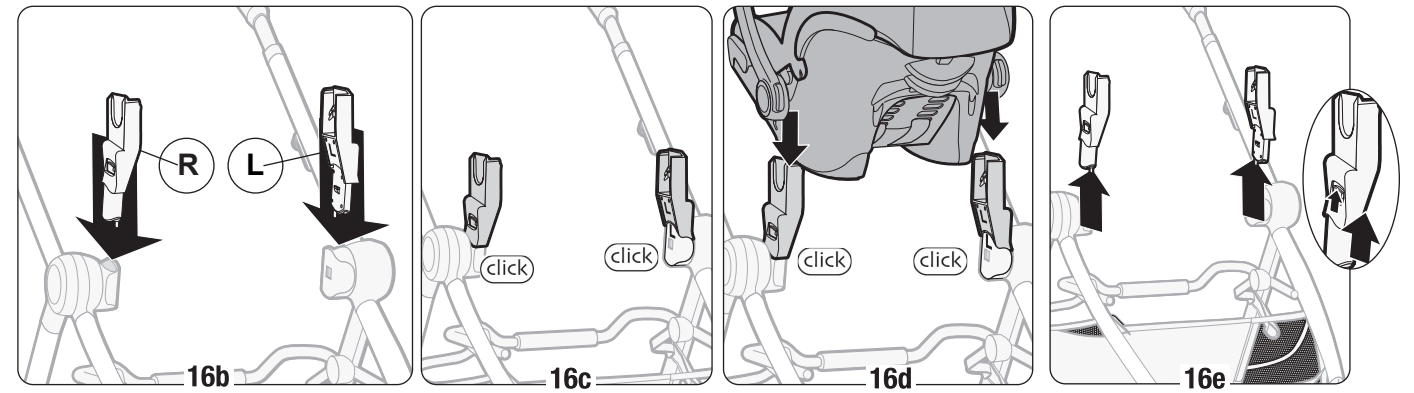
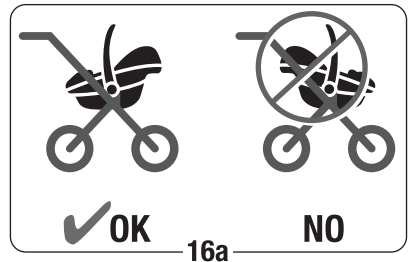
Tighten the straps snugly around your child (Figure 15c). Re-thread the restraint system if needed, exactly as shown in Figure 15d.



**⚠ WARNING**

To avoid serious injury:

- Please refer to the manufacturer's instructions for the use of your infant car seat.
- **ALWAYS** remove stroller seat before installing car seat.
- **ALWAYS** install car seat facing to the rear of the stroller (Figure 16a).
- **ALWAYS** use the restraint system in the car seat.



Please find the separate car seat instruction manual that came with your car seat.

**16 To Attach Maxi-Cosi Infant Car Seats**

Push the parking brake down. Remove the stroller seat from the stroller frame (refer to page 3, step 5 to remove the seat). The stroller seat **must** be removed to install the car seat.

Align the car seat adapters with the gray release buttons facing outward as shown (Figure 16b). Press the adapters into the correct slots until they click into place (Figure 16c). The right and left adapters will only fit into the right and left slots, respectively.

**The car seat must face the handlebar.** Lower the car seat onto the adapters until both sides click into place (Figure 16d). Pull up on the car seat to make sure it is securely attached.

**To remove the car seat:** Press the car seat's release button and lift the car seat off the stroller. Consult your car seat's instruction manual for detailed instructions.

**To remove the car seat adapters from the stroller:** Press to lift the buttons as shown in Figure 16e, then slide each adapter upward to remove.

## Stroller Care and Maintenance

- To clean the stroller fabric, buckle pad, and restraint straps, use a sponge or damp cloth with cold water and mild soap. Air dry only. Do not use harsh household cleaners or bleach to clean the stroller.
- To clean the seat cushion and harness covers, machine wash using cold water on a gentle cycle. Tumble dry on low heat.
- If the front wheels become stuck while strolling, remove and clean the front wheel axles using warm, soapy water with a cloth or paper towel. See step 3 on page 2 for how to remove and install the front wheels.
- Periodically check for loose screws, worn parts, torn material, or loose stitching. Tighten or replace parts as needed.

## Replaceable Parts

- Rear wheels (2)
- Front wheels (2)
- Harness covers (2)
- Cup holder
- Canopy
- Bumper bar
- Car Seat Adapters (2)

To order parts or if any parts are missing, call Consumer Care at 1-800-544-1108, visit [www.maxicosi.com](http://www.maxicosi.com), text 1-812-652-2525, or email [support@djgusa.com](mailto:support@djgusa.com). Include the model number (TR493) and manufacture date (found on the stroller) and a brief description of the part.

## Two-Year Limited Warranty

Dorel Juvenile Group, Inc. warrants to the original purchaser that this product (Zelia™ Pro 5-in-1 Modular Travel System), is free from material and workmanship defects when used under normal conditions for a period of two (2) years from the date of purchase. Should the product contain defects in material or workmanship Dorel Juvenile Group, Inc., will repair or replace the product, at our option, free of charge. Purchaser will be responsible for all costs associated with packaging and shipping the product to Dorel Juvenile Group Consumer Relations Department at the address noted on the front of this document and all other freight or insurance costs associated with the return. Dorel Juvenile Group will bear the cost of shipping the repaired or replaced product to the purchaser. Product should be returned in its original package accompanied by a proof of purchase, either a sales receipt or other proof that the product is within the warranty period. This warranty is void if the owner repairs or modifies the product or the product has been damaged as a result of misuse. This warranty excludes any liability other than that expressly stated previously, including but not limited to, any incidental or inconsequential damages.

SOME STATES DO NOT ALLOW THE EXCLUSION OR LIMITATION OF INCIDENTAL OR CONSEQUENTIAL DAMAGES, SO THE ABOVE LIMITATION OR EXCLUSION MAY NOT APPLY TO YOU.

THIS WARRANTY GIVES YOU SPECIFIC LEGAL RIGHTS, AND YOU MAY ALSO HAVE OTHER RIGHTS THAT MAY VARY FROM STATE TO STATE.

©2025 Dorel Juvenile Group, Inc. (800) 544-1108 [www.maxicosi.com](http://www.maxicosi.com). Styles, colors, and labeling may vary. Les styles, les couleurs et l'étiquetage peuvent varier. Made in CHINA. Fabriqué en CHINE. Distributed by (distribué par) Dorel Juvenile Group, Inc., 2525 State St., Columbus, IN 47201-7494. Dorel Juvenile Canada, 2233 Argenta Road, Suite 110, Mississauga, ON L5N 2X7. Representante exclusivo en Chile: DOREL JUVENILE CHILE S.A. Av. del Parque 4161, oficina 602 A, Huechuraba, Santiago, Chile - Fono: 56 2 24971500 - [www.infanti.cl](http://www.infanti.cl) - [www.dorel.cl](http://www.dorel.cl). Importado y distribuido en Perú por: COMEXA COMERCIALIZADORA EXTRANJERA S.A. SUCURSAL DEL PERÚ - Los Libertadores 455, San Isidro, Lima 27, Lima, Perú RUC 20431062870 - Fono: 4413029 - [www.infanti.com.pe](http://www.infanti.com.pe). En Centro América, Caribe y Ecuador por: Best Brands Group S.A. - Av. Balboa, Bay Mall Plaza, Planta Baja, local 9, Panamá. - Fono: (507) 300 2884. En Colombia por: Baby Universe S.A.S. - Vía 40 No. 77-29, Barranquilla, Colombia - Fono: (575) 353 1110 Importador: DJGM, S.A. DE C.V. Gabriel Mancera No. 1041 Col. Del Valle, Benito Juárez C.P. 03100 México, Ciudad de México R.F.C. DJG140305GN9  
Tel. (55) 67199202 07/14/25 4358-8714

