

OWNER'S MANUAL

30" GRIDDLE WITH HOOD & COUNTER HEIGHT SHELVES

TABLE OF CONTENTS

IMPORTANT SAFETY INFORMATION	02
ASSEMBLY GUIDE	04
OPERATION INSTRUCTIONS	11
TROUBLESHOOTING	17
CUSTOMER SUPPORT	18



Latest version of the manual:
BlackstoneProducts.com/support

IMPORTANT:

This instruction manual contains important information necessary for the proper assembly and safe use of the appliance.

Read and follow all warnings and instructions before assembling and using the appliance.

Follow all warnings and instructions when using the appliance.

Keep this manual for future reference.

Installer/Assembler: Leave these instructions with the consumer.

SAFETY ALERT KEY

⚠ DANGER

Indicates a hazardous situation that, if not avoided, will result in death or serious injury.

⚠ WARNING

Indicates a hazardous situation that, if not avoided, could result in death or serious injury.

⚠ CAUTION

Indicates a hazardous situation that, if not avoided, could result in minor or moderate injury.

NOTICE

Indicates information considered important, but not hazard-related (e.g. messages related to property damage).

IMPORTANT SAFETY INFORMATION

GAS APPLIANCE SAFETY

⚠ DANGER

If you smell gas:

- Shut off gas to the appliance.
- Extinguish any open flame.
- Open hood (if applicable).
- If odor continues, keep away from the appliance and immediately call your gas supplier or your fire department.

Failure to follow these instructions could result in fire or property damage, personal injury or death.

⚠ WARNING

An LPG cylinder not connected for use shall not be stored in the vicinity of this or any other appliance.

LPG cylinders are not to be stored in any compartments on the appliance that are not intended for cylinder storage. Such unauthorized storage could lead to an explosion, fire, or personal injury.

INSTALLATION MUST CONFORM WITH LOCAL CODES.

In the absence of local codes, installation must conform with either ANSI Z223.1/NFPA 54, CSA B149.1, or CSA B149.2.

⚠ DANGER

- NEVER operate this appliance unattended.
- If a fire should occur, keep away from the appliance and immediately call your fire department. DO NOT attempt to extinguish an oil or a grease fire with water.

Failure to follow these instructions could result in fire or property damage, personal injury or death.

⚠ DANGER



CARBON MONOXIDE HAZARD

This appliance can produce carbon monoxide which is poisonous and has no odor. Using it in an enclosed space can kill you.

NEVER use this appliance in an enclosed space such as a camper, tent, car or home.

⚠ DANGER

FOR YOUR SAFETY

DO NOT store or use gasoline or other flammable liquids or vapors in the vicinity of this or any other appliance.

Flammable items can combust if placed near the appliance. Keep the appliance area clear and free from combustible materials, aerosol containers, gasoline and other flammable vapors and liquids.

⚠ WARNING

Improper installation, use, adjustment, alteration, service, modification, or maintenance can cause property damage, serious injury, or death. Read the installation, operating and maintenance instructions thoroughly (refer to this manual) before installing or servicing this equipment.

- The use of alcohol, prescription, or non-prescription drugs may impair the consumer's ability to properly assemble or safely operate the appliance.
- Keep children and pets away from the appliance at all times.
- Have a type BC or ABC fire extinguisher readily available.
- DO NOT use for purposes other than intended.
- DO NOT use this appliance as a heater.
- For outdoor domestic use only, not for commercial use.



SETTING UP YOUR OUTDOOR SPACE

THIS APPLIANCE MUST ONLY BE USED OUTDOORS ON A LEVEL SURFACE.

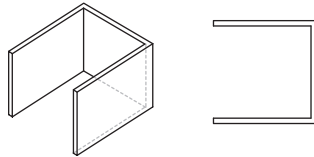
- DO NOT use this appliance inside buildings, garages, or any other enclosed area.
- DO NOT install this appliance in or on a boat.
- DO NOT install this appliance in or on a recreational vehicle.

SHELTERED OUTDOOR AREAS:

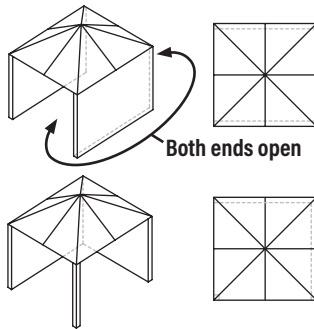
All openings must be permanently open; sliding doors, garage doors, windows or screened openings are not considered as permanent openings.

An appliance is considered to be outdoors if installed with shelter no more inclusive than:

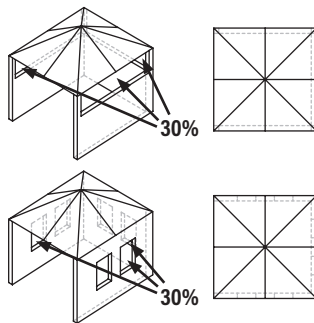
- a. With walls on three sides, but with no overhead cover.



- b. Within a partial enclosure that includes an overhead cover and no more than two sidewalls. The sidewalls may be parallel, as in a breezeway, or at right angles to each other.



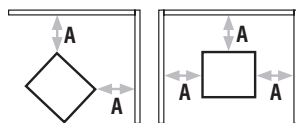
- c. Within a partial enclosure that includes an overhead cover and three sidewalls, as long as 30% or more of the horizontal periphery of the enclosure is permanently open.



The minimum ambient operating temperature is (-18°C / 0°F).

MAINTAIN PROPER CLEARANCES FROM COMBUSTIBLE MATERIAL.

- DO NOT use this appliance on or under any apartment or condominium balcony or deck.
- DO NOT obstruct the flow of combustion and ventilation air.



DO NOT operate this appliance any closer than (91 cm / 3 ft) from the sides and back of the appliance to combustible construction.

A = (91 cm / 3 ft)

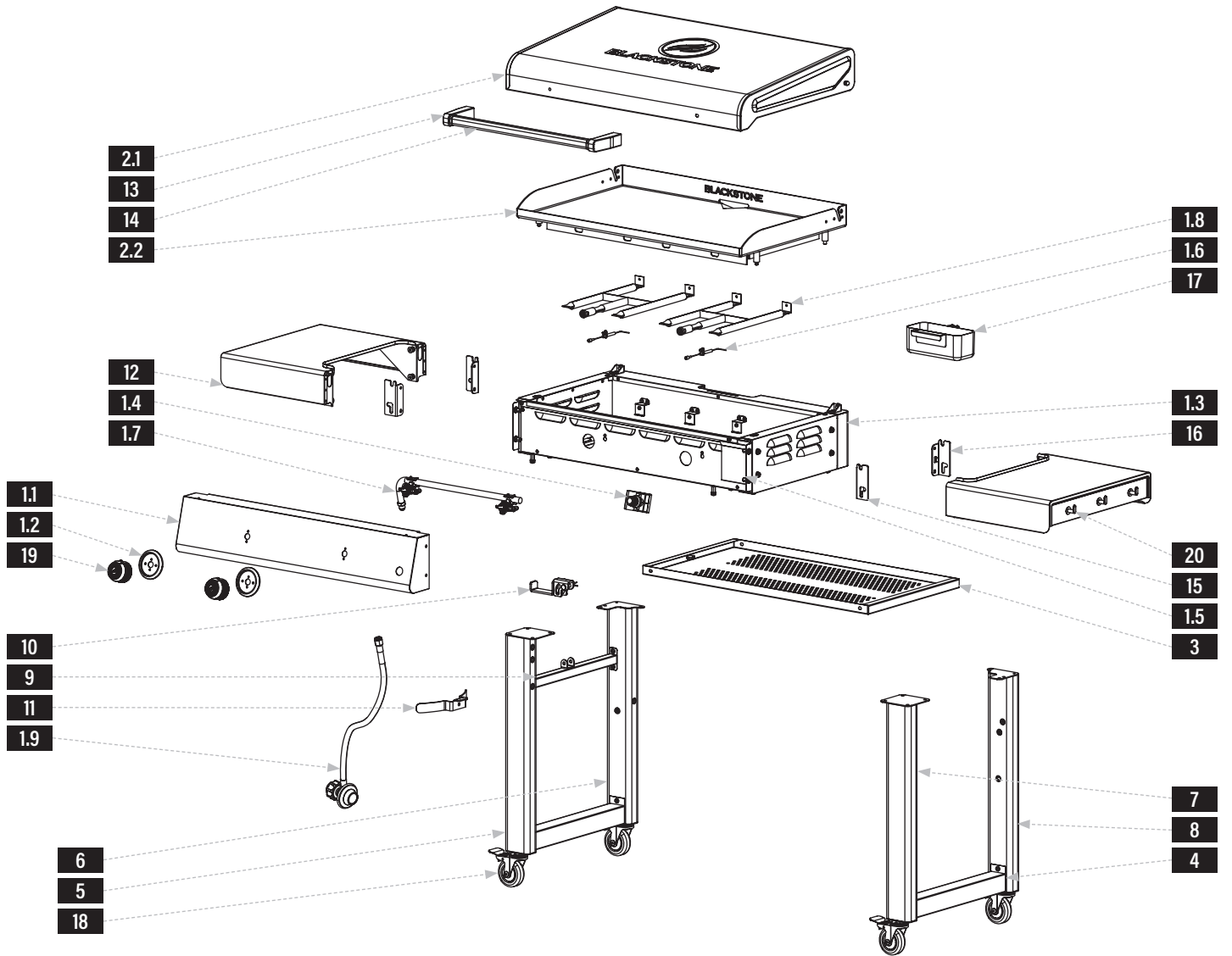
- DO NOT use this appliance under overhead combustible construction.



ASSEMBLY GUIDE

EXPLODED VIEW

ENGLISH

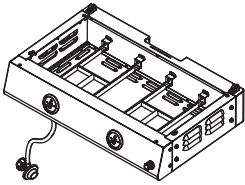
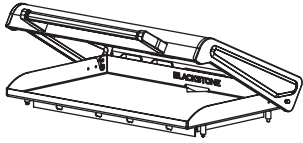
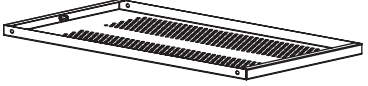
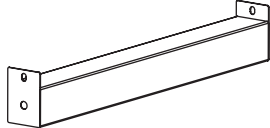

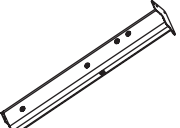
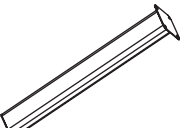
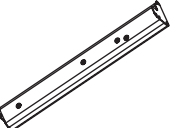
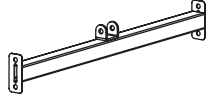
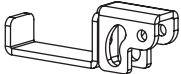



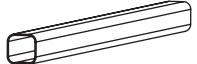
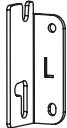
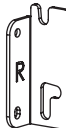
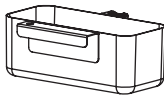


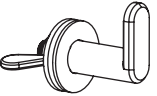


PARTS LIST

PARTS	QTY	PARTS	QTY	PARTS	QTY	PARTS	QTY
1.1 Control panel	1	1.4 Electric ignitor	1	1.7 Gas rail	1	2.1 Hood	1
1.2 Control knob bezels	2	1.5 Ignition heat shield	1	1.8 H burners	2	2.2 Griddle top	1
1.3 Burner box	1	1.6 Ignition needles	2	1.9 Regulator hose	1		

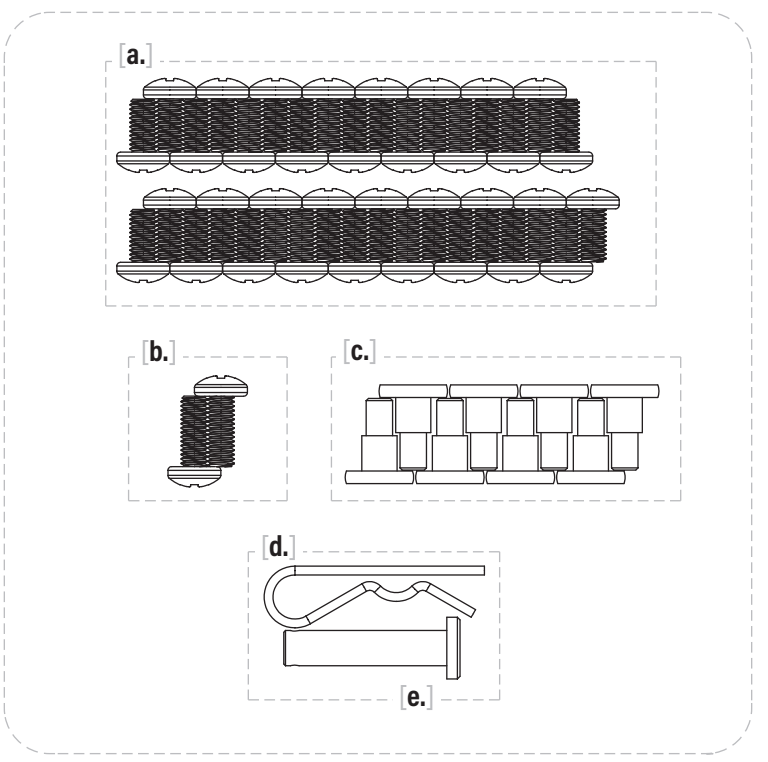




1 Griddle body (1 piece) 		2 Griddle top and hood (1 piece) 		3 Stabilizing shelf (1 piece) 	
4 Crossbars (2 pieces) 		5 Left front leg (1 piece) 	6 Left rear leg (1 piece) 	7 Right front leg (1 piece) 	8 Right rear leg (1 piece) 
9 LPG bar (1 piece) 	10 LPG hook (1 piece) 	11 LPG support (1 piece) 	12 Side shelves (2 pieces) 	13 Handle standoffs (2 pieces) 	14 Hood handle (1 piece) 
15 Side shelf bracket (L) (2 pieces) 	16 Side shelf bracket (R) (2 pieces) 	17 Grease cup (1 piece) 	18 Caster wheels (4 pieces) 	19 Control knobs (2 pieces) 	20 Side shelf hooks (6 pieces) 

21 Hardware pack (1 piece)

- a.** M6x12 screws (35 pieces)
- b.** M6x16 screws (2 pieces)
- c.** Flat head M6 shoulder bolts (8 pieces)
- d.** Cotter pin (1 piece)
- e.** Shear pin (1 piece)

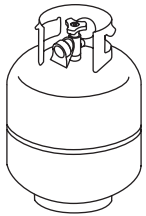



ASSEMBLY INSTRUCTIONS

⚠ CAUTION

Sharp edges and possible pinch points while unboxing. Wear gloves during assembly.

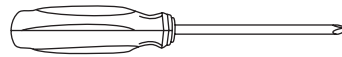
- Find a large, clean area to assemble your appliance.
- Remove all packing material before assembling. (You may have additional or spare hardware after assembly.)



**REQUIRED FOR USE
(NOT INCLUDED):**
(9.1 kg / 20 lb) LPG cylinder



**REQUIRED FOR USE
(NOT INCLUDED):**
One (1) 1.5V AA battery (for ignition)



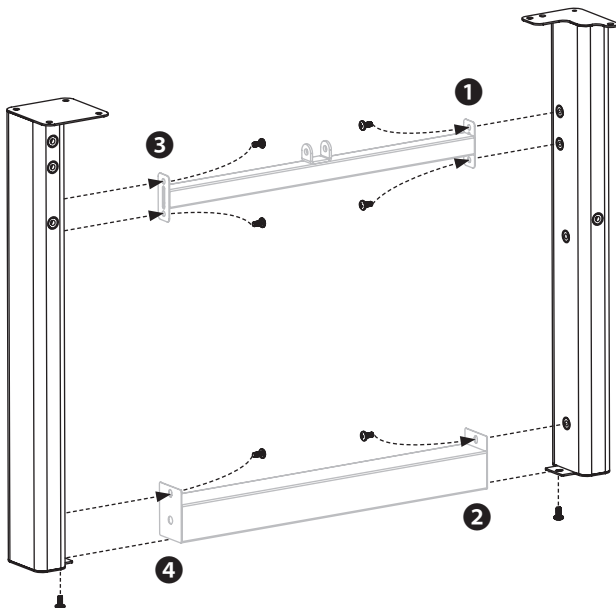
**REQUIRED FOR ASSEMBLY
(NOT INCLUDED):**
#3 Phillips head screwdriver

⚠ CAUTION

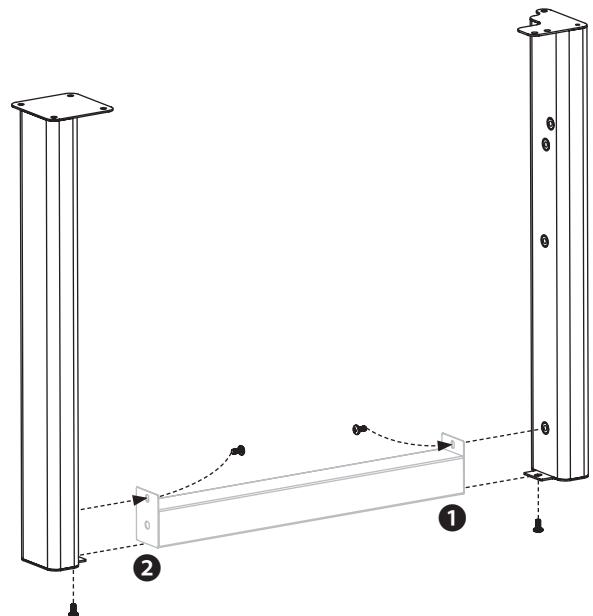
Heavy pieces. Two people should assemble this appliance.

- Loosely thread all screws/ bolts on each step before fully tightening.

- STEP 01**
- 1 Use two (2) M6x12 screws [a.] to attach the left rear leg to the LPG bar.
 - 2 Use two (2) M6x12 screws [a.] to attach the left rear leg to one (1) crossbar.
 - 3 Use two (2) M6x12 screws [a.] to attach the left front leg to the LPG bar.
 - 4 Use two (2) M6x12 screws [a.] to attach the left front leg to the crossbar.

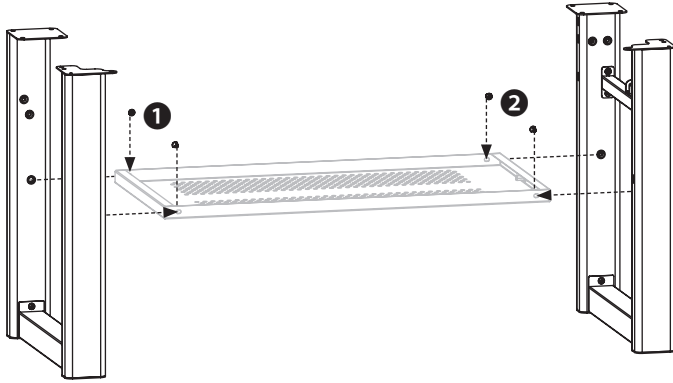


- STEP 02**
- 1 Use two (2) M6x12 screws [a.] to attach the right rear leg to one (1) crossbar.
 - 2 Use two (2) M6x12 screws [a.] to attach the right front leg to the crossbar.

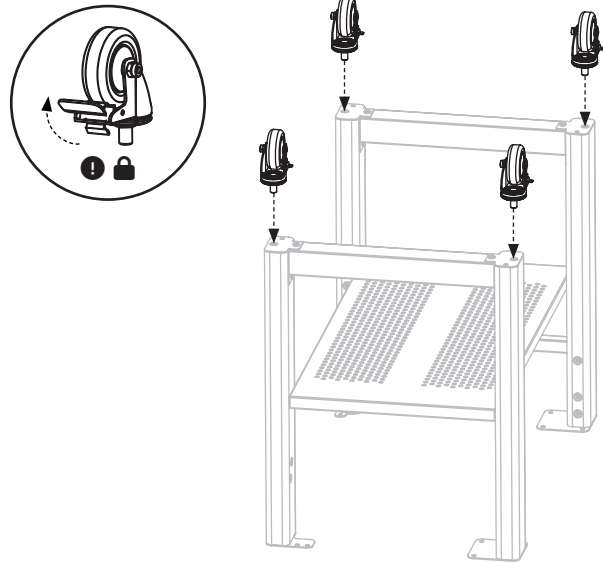




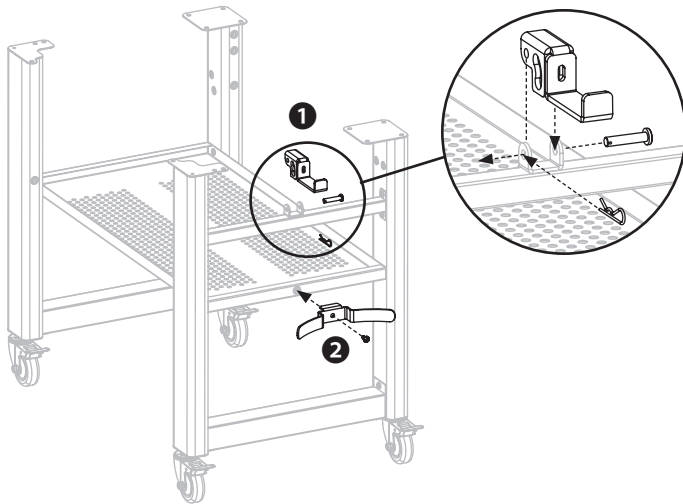
- STEP 03** ① Use two (2) M6x12 screws [a.] to attach the right leg assembly to the stabilizing shelf.
 ② Use two (2) M6x12 screws [a.] to attach the left leg assembly to the stabilizing shelf.



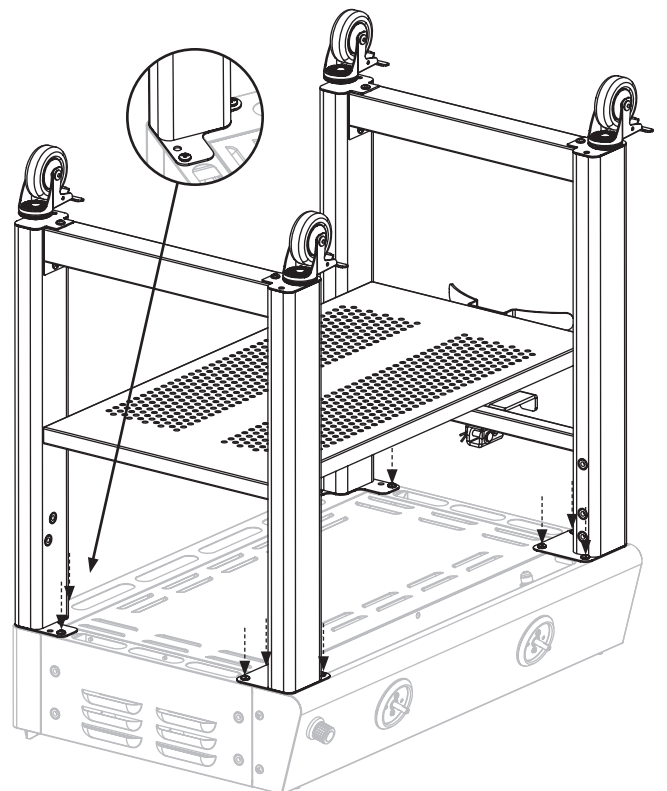
- STEP 04** Turn the leg assembly upside down. Screw the four (4) caster wheels into the legs. (Ensure that the wheels are locked.)



- STEP 05** ① Use one (1) shear pin [e.] to attach the LPG hook to the LPG bar. Use one (1) cotter pin [d.] to secure.
 ② Use one (1) M6x12 screw [a.] to attach the LPG support to the stabilizing shelf.

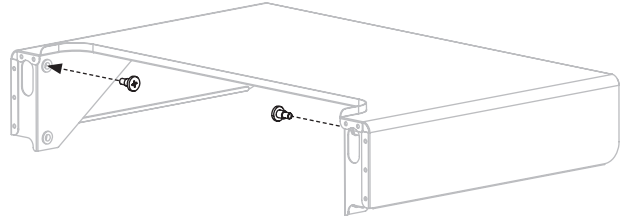
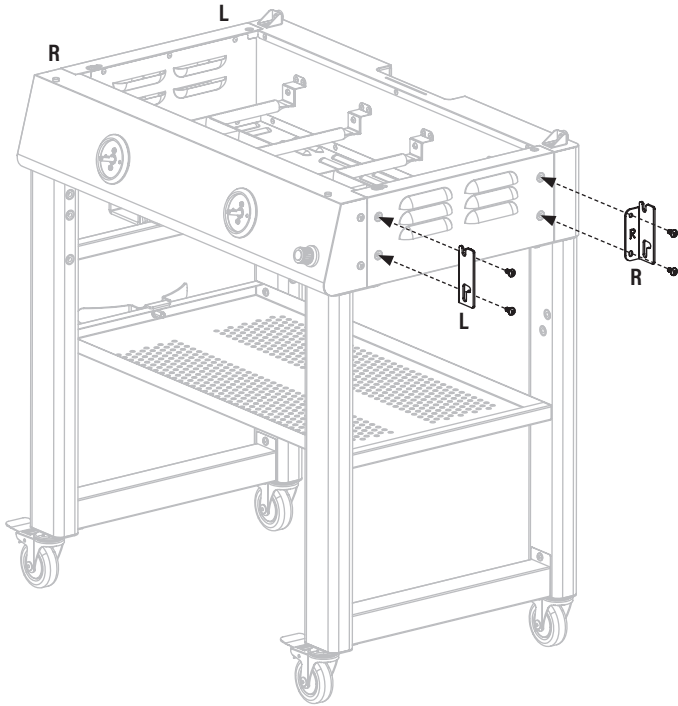


- STEP 06** Set the griddle body upside down. **With the help of another person**, set the leg assembly on the griddle body. Use ten (10) M6x12 screws [a.] to attach the griddle body to the legs. (Use three (3) screws for each front leg, and two (2) screws for each rear leg.)



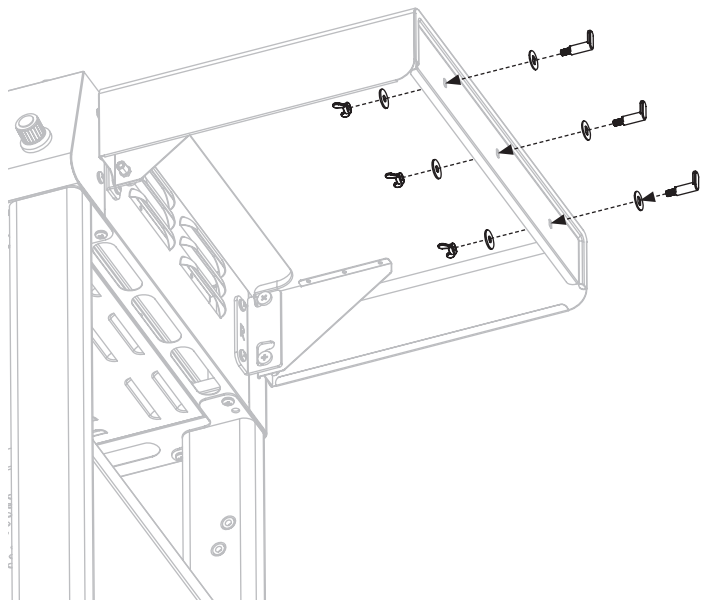
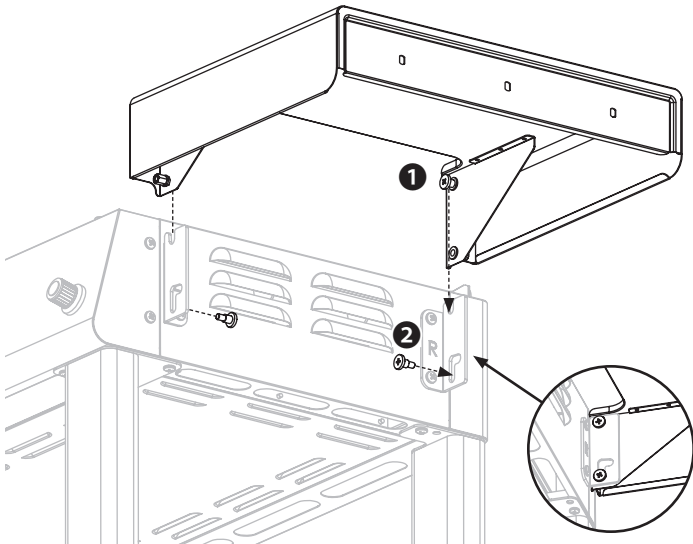
STEP 07 Use four (4) M6x12 screws [a.] to attach one (1) side shelf bracket (L) and one (1) side shelf bracket (R) to the right side of the griddle body.
Repeat with the left side of the griddle body.

STEP 08 Screw two (2) flat head M6x12 shoulder bolts [c.] into the top holes of one (1) side shelf.
Repeat with the other side shelf.



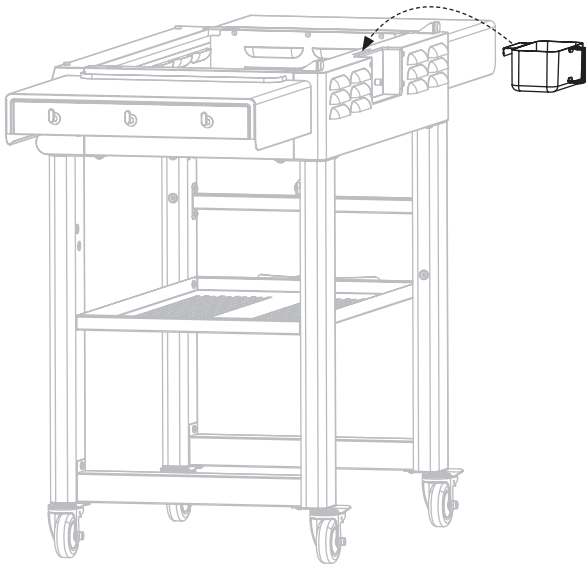
STEP 09 ① Slide the shoulder bolts on one (1) side shelf onto the side shelf brackets on the right side of the griddle body.
② Use two (2) flat head M6x12 shoulder bolts [c.] to secure the shelf to the side shelf brackets.
Repeat with the left side of the griddle body.

STEP 10 Use the three (3) wing nuts and three washers pre-installed on the side shelf hooks to attach three (3) washers and three (3) side shelf hooks to one (1) side shelf.
Repeat with the other side shelf.

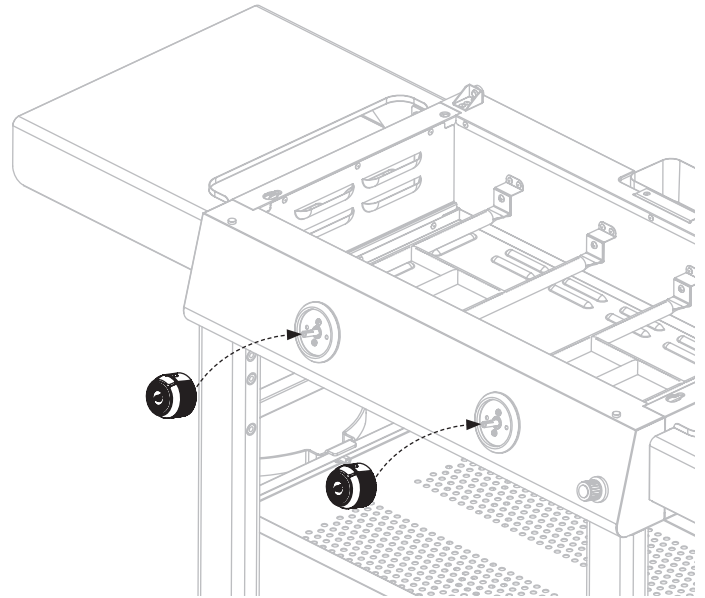




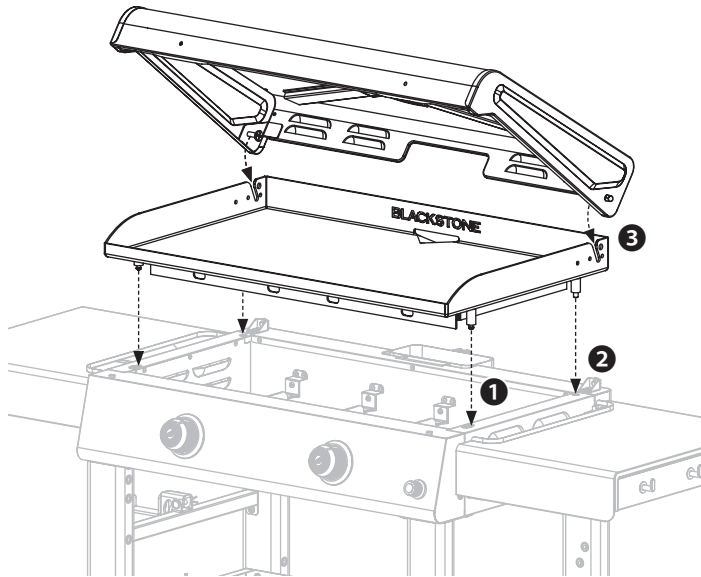
STEP 11 Hang the grease cup in the slot on the back of the griddle body.



STEP 12 Install the two (2) control knobs by pushing them onto the gas rail valve stems in the OFF position.

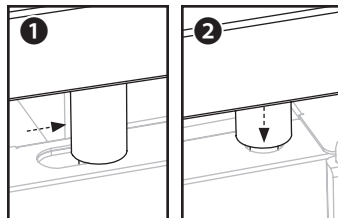


STEP 13 With the help of another person, place the griddle top on the main body by aligning the 4 pins to the holes of the body.



1 Place the two front pins into the front locking holes and push the griddle top back.

2 Then, set the two rear pins into the rear holes.

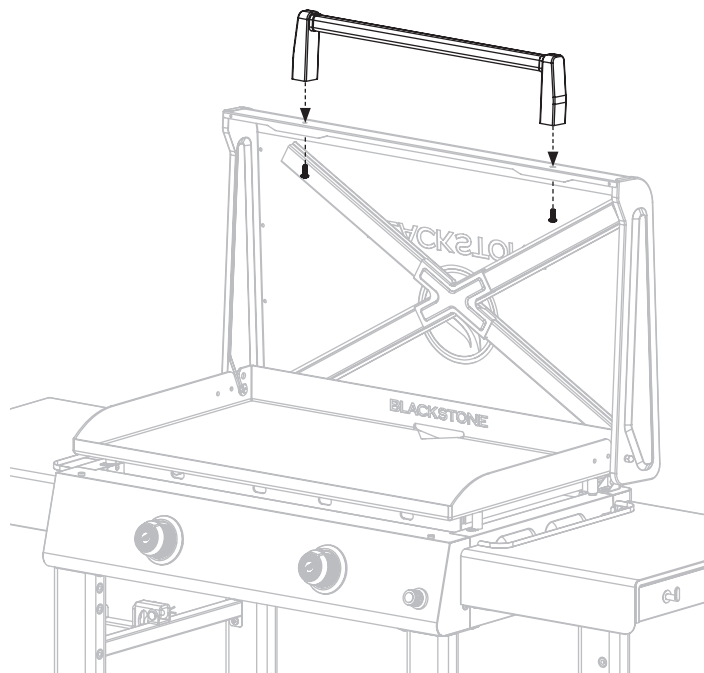


3 Slide the step bolts on the hood into the griddle top hood slots.

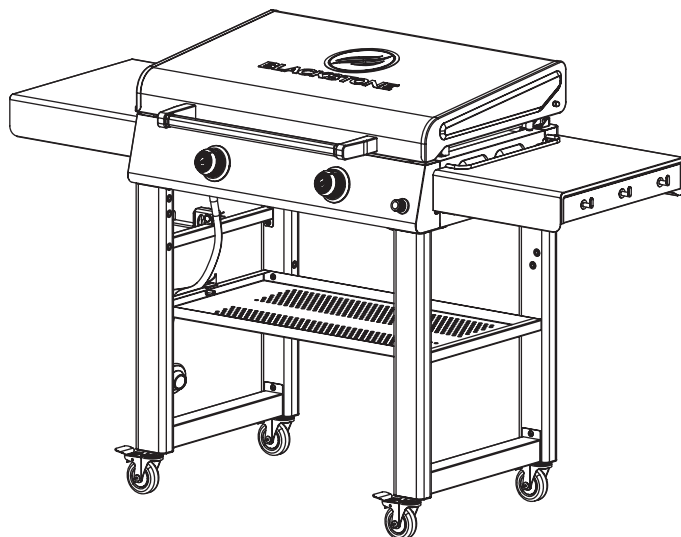
STEP 14 Slide the two (2) handle standoffs into the hood handle.



STEP 15 Use the two (2) M6x16 screws [b.] to attach the hood handle to the hood.

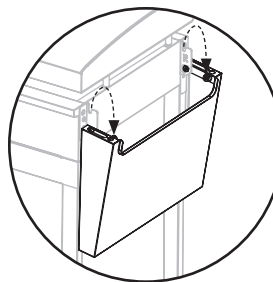


STEP 16 Proceed to the **OPERATION INSTRUCTIONS**.



NOTICE
DO NOT place items on stabilizing shelf during use.

NOTICE
• Maximum weight on the side shelf is (4.5 kg / 10 lb).
• The side shelf may get hot while appliance is in use.



Lift and fold the side shelf when moving or storing, as applicable.
(Shelf design may vary.)

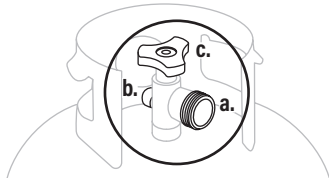


OPERATION INSTRUCTIONS

THE GAS SYSTEM

LPG CYLINDER REQUIREMENTS

- The LPG cylinder supply system must be arranged for vapor withdrawal.
- Always keep new LPG cylinders in upright position during use, transit or storage.
- Always keep the ventilation opening(s) of the cylinder enclosure free and clear from debris.
- The LP gas supply cylinder to be used must be constructed and marked in accordance with the Specifications for LP gas Cylinders of the U.S. Department of Transportation (DOT) or CSA B339, as applicable.
- Only LPG cylinders marked "propane" shall be used.
- LPG cylinder must include collar to protect LPG cylinder valve.
- Only use a (9.1 kg / 20 lb) cylinder. (45.72 x 30.48 cm / 18 x 12 in)



THE LPG CYLINDER VALVE MUST HAVE:

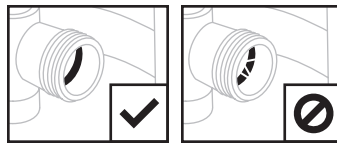
- Type 1 valve outlet (thread on the outside).
- Safety relief valve.
- UL listed Overfill Protection Device (OPD). This OPD safety feature is identified by a unique triangular hand wheel.

Exchange cylinder only for an OPD safety feature-equipped cylinder.

FITTINGS & HOSES

Prior to connection and use, ensure that there is no debris caught in, or damage to, the head of the gas cylinder, regulator, hose, burner and burner ports. (Worn or damaged hose / regulator must be replaced with a Blackstone approved model before using appliance.)

- Annual checking and tightening of metal fittings is recommended.
- Ensure that the hose is not obstructed, kinked, or in contact with any part of the appliance other than at its connection.



CHECK SEAL BEFORE USE

The seal on the valve outlet could, over time, show marked and visible damage or deterioration that might cause a leak even with the connection tightened.

- A visual inspection for the seal must be carried out every time a LPG cylinder is replaced or refilled.
- Any LPG cylinder showing signs of damage or deterioration as those illustrated including visible cracks and pitting, must be returned unused to the seller.

REGULATOR SAFETY

- Use this appliance, as purchased, only with gas and regulator/valve assembly supplied. DO NOT use quick connect fittings or other add-ons other than those designed and authorized for use by Blackstone.
- DO NOT cross thread (force at an improper angle) the connection between your LPG cylinder and regulator.
- If you can not connect the regulator, DO NOT use the regulator.

Regulator must be replaced with a Blackstone approved model by a professionally licensed, authorized dealer.

CONNECT THE LPG CYLINDER

STEP 01 Ensure that the control knobs are turned OFF.

Ensure that the LPG cylinder is OFF by turning the hand wheel clockwise to a full stop.

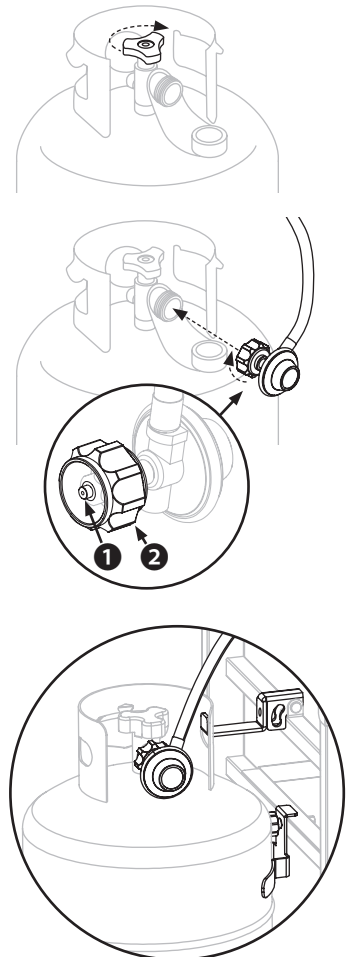
STEP 02 Hold the regulator in a straight line with the valve outlet so as not to cross thread the connection.

- Center and insert the regulator nipple into the valve outlet.
- Hand-tighten the coupling nut in a clockwise direction. (DO NOT use tools to connect.)

If connection cannot be completed, disconnect regulator and repeat this step.

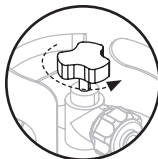
STEP 03 The safety relief valve must face away from the user while the appliance is in use.

Secure the LPG cylinder to the appliance by hanging it on the LPG hook so that it nestles against the LPG support.



HOW TO TURN ON THE GAS:

Turn the hand wheel counter-clockwise 1 to 3 turns.

**⚠ WARNING**

A frosty regulator indicates a problem. Immediately close LPG cylinder valve and call local LPG dealer for assistance.

LEAK TEST INSTRUCTIONS

- Leak test new and exchanged LPG cylinders BEFORE connecting to appliance.
- DO NOT smoke during leak test.
- DO NOT use an open flame to check for gas leaks.
- Appliance must be leak tested outdoors in a well-ventilated area, away from ignition sources such as gas fired or electrical appliances.
- During leak test, keep appliance away from open flames or sparks.

STEP 01 Turn OFF the gas supply at the gas cylinder valve. Ensure that the controls are OFF.

Connect the regulator to the LPG cylinder and turn ON the gas.

If you hear a rushing sound, turn gas off immediately. There is a major leak at the connection.

STEP 02 Make a 9‰ leak detecting solution by mixing (22.2 ml / 1.5 tsp) of hand / dish soap with (236.6 ml / 1 cup) of water.

STEP 03 Use a clean paintbrush to brush the solution onto the joint areas of the valves and along the entire regulator hose.

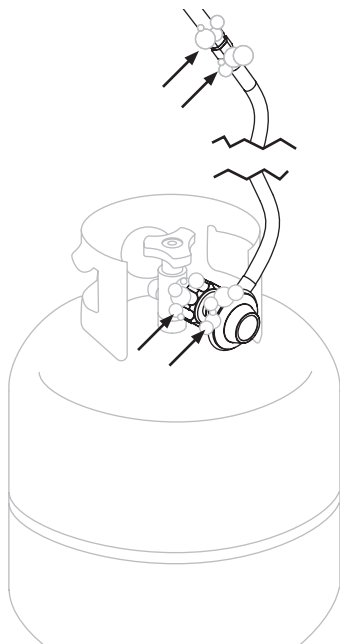
STEP 04 If leaks are detected (indicated by growing bubbles), immediately turn OFF the gas and re-tighten connections.

⚠ WARNING

If leaks cannot be stopped, DO NOT try to repair. Regulator must be replaced with a Blackstone approved model by a professionally licensed, authorized dealer.

If grease or other hot material drips onto valve, hose or regulator:

1. Turn off gas supply immediately.
2. Determine the cause and correct it.
3. Clean and inspect valve, hose and regulator.
4. Perform a leak test.

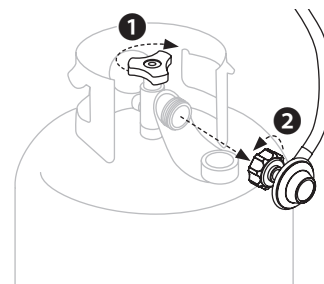
**DISCONNECT THE LPG CYLINDER**

- Disconnect the LPG cylinder before moving or storing the appliance.
- Storage of the appliance indoors is only permissible if the LPG cylinder is disconnected and removed from the appliance.

Ensure that the control knobs are turned OFF.

1 Ensure that the LPG cylinder is OFF by turning the hand wheel clockwise to a full stop.

2 Turn the coupling nut counter-clockwise by hand to remove the regulator. (DO NOT use tools to disconnect.)



Place dust cap on cylinder valve outlet whenever the cylinder is not in use. Only install the type of dust cap on the cylinder valve outlet that is provided with the cylinder valve. Other types of caps or plugs may result in leakage of propane.

STORING LPG CYLINDERS**⚠ WARNING**

- DO NOT store a spare LPG cylinder under, near, or in this appliance.
 - DO NOT fill an LPG cylinder beyond 80% full.
- If the information above is not followed exactly, a fire causing death or serious injury may occur.

- The LPG cylinder must be turned OFF when the appliance is not in use.
- LPG cylinders must be stored outdoors and out of the reach of children.
- DO NOT store an LPG cylinder inside a building, garage, or in any other enclosed area.
- DO NOT store an LPG cylinder where temperatures can reach over (50°C / 122°F).

OBTAINING AND FILLING THE GAS CYLINDER

- Use only those reputable companies that inspect, precision fill, test and certify their cylinders. LPG dealer must purge new cylinder before filling.
- To remove gas from LPG cylinder, contact a certified LPG dealer or local fire department for assistance.
- DO NOT release liquid petroleum gas (LPG) into the atmosphere.
- Filling shall be carried out away from any source of ignition.
- Your retailer can help you match a replacement LPG cylinder to your appliance.
- Volume of propane in cylinder will vary by temperature.



IGNITION INSTRUCTIONS

1. CHECK VALVES

⚠ Ensure gas is OFF before checking appliance valves. Connect/ turn on the gas after checking the valves.

Open hood/ lid prior to lighting, as applicable.

STEP 01 Turn all control knobs to the ❶ OFF position.

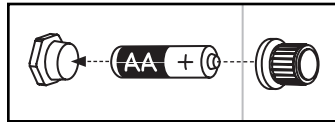
STEP 02 Push in the control knobs and release.

STEP 03 Rotate the control knobs to LOW then turn back to OFF.
(If the control knobs DO NOT spring back or turn smoothly, contact customer support.)

2. BATTERY POWERED IGNITION

STEP 01 Insert one (1) AA battery under the ignitor button.

Screw the button into place over the positive terminal.



Clean the battery and appliance contacts prior to battery installation.

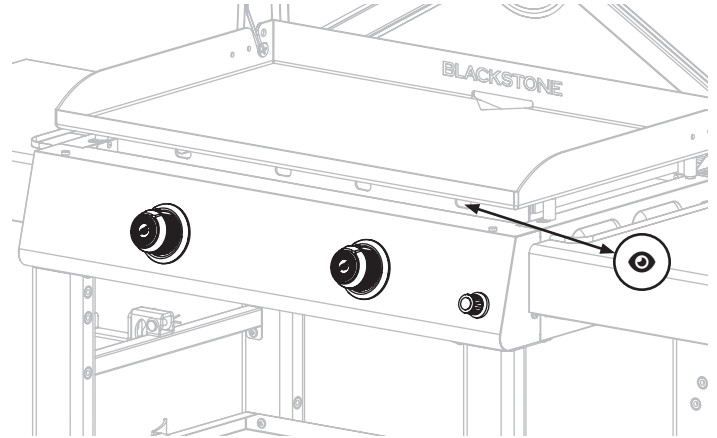
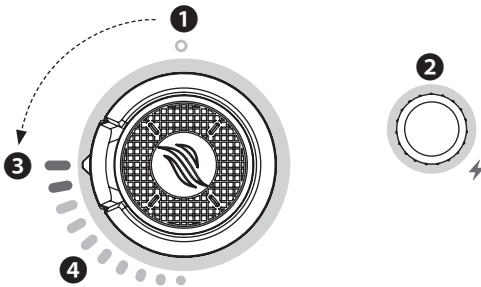
STEP 02

❷ Push and hold the ignitor button.

❸ Push in and turn the control knob to HIGH.

(Ignite each burner one at a time. Release the ignitor button when all burners are lit.)

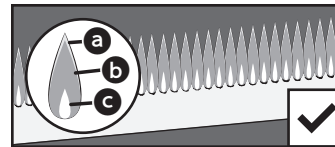
❹ Adjust the temperature to desired level.



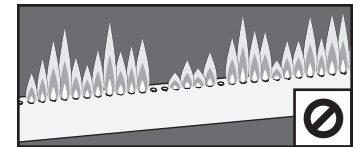
3. ⦿ ALWAYS CHECK THE BURNER FLAME BEFORE USE

↔ Viewing distance: no closer than (45.7 cm / 18 in).

HEALTHY FLAME PATTERN



YELLOW OR IRREGULAR



❶ Flickers of yellow. ❷ Dark blue. ❸ Vibrant blue.

- When the temperature is set to HIGH, flames should be larger than when the temperature is set to LOW.

- If the flames are yellow, irregular, in an unexpected location, or suddenly go out, turn the appliance OFF and turn to the Troubleshooting chapter.

⚠ WARNING

If burner does not ignite with open gas supply valve, gas will continue to flow out of burner and could accidentally/ inadvertently ignite with risk of injury.

If ignition does not occur in 5 seconds:

1. Turn the appliance OFF.
2. Wait 5 minutes.
3. Repeat the lighting procedure.

If burner does not ignite, turn the appliance OFF and turn to the Troubleshooting chapter.

⚠ CAUTION

If your appliance has a hood/ lid, leaving it closed with the burners at a low setting for more than 10 minutes may cause over-heating and burns. The cover/ lid/ hood MUST be open when the appliance is in use.

HOW TO USE YOUR GRIDDLE

Your Omnivore Blackout Griddle Plate has been pre-seasoned with food grade oil for your convenience.

BEFORE FIRST USE:

STEP 01 Clean the cooking surface with water and allow to dry completely to remove any packaging materials, dust or debris.

STEP 02 Apply oil to your griddle surface and start cooking right away.

Note: Food may stick initially. The seasoning and non-stick properties of your griddle plate will improve over time with use.

ADDITIONAL SEASONING (OPTIONAL):

If you would like to add additional layers of seasoning to your griddle plate:

STEP 01 Set all burners to high and wait 10 minutes.

STEP 02 Use tongs to hold a paper towel or cotton cloth and spread a thin layer (29.6–44.4 ml / 2–3 tbsp) of seasoning oil across the entire cooking surface.

STEP 03 When the oil stops smoking, repeat **STEP 02** 3–4 times.

WHAT OIL IS BEST TO USE?

- Blackstone Seasoning and Cast Iron Conditioner.
- Any plant-based cooking oil.
- Rendered animal fat with no additives.

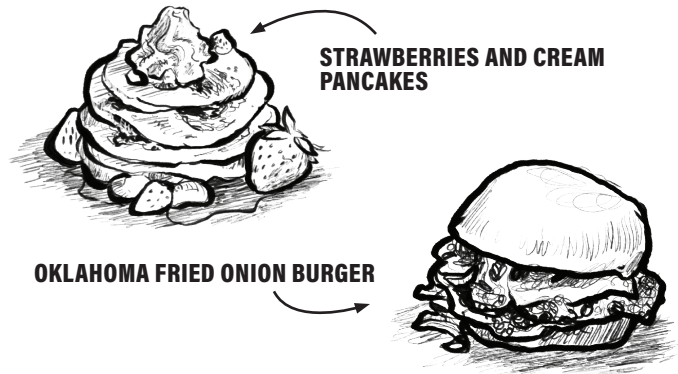


CAUTION

This appliance will be hot during and after use. Use long-handled utensils and oven mitts/ protective gloves when handling potentially hot parts to protect against burns and splatters.

RECIPES AND COOKING TIPS

- BlackstoneProducts.com/recipes
- [youtube.com/BlackstoneGriddles](https://www.youtube.com/BlackstoneGriddles)
- [@blackstoneproducts](https://www.facebook.com/blackstoneproducts)



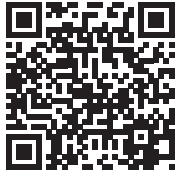
NOTICE

DO NOT store any items within (7.6 cm / 3 in) of the griddle top while in use.

CAUTION

Properly dispose of the rags/ towels used to spread oil on your griddle top to prevent fires that might occur due to spontaneous combustion.

Under the right conditions, residual oil on rags or towels can oxidize long after being removed from a heat source. The oxidation process itself produces heat which, if not dissipated, can build up and may cause the rags/towels and surrounding material to ignite.



CLEANING YOUR GRIDDLE

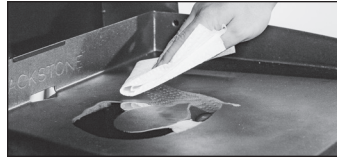
Clean griddle top after each use, while still warm.

Note: DO NOT use soap on the griddle top. This will destroy the griddle's seasoning.

STEP 01 Apply a few milliliters/ tablespoons of water to the griddle surface, then scrape the water and debris into the grease cup.



STEP 02 Allow to cool before applying a thin coat of cooking oil to maintain the seasoning and protect the griddle top.



EMPTY YOUR GREASE CUP

The grease cup must be removed and emptied after each use.

Note: Make sure your griddle is on level ground to allow grease and water to drain towards the rear grease cutout.

⚠ CAUTION

The grease cup will be hot during and after use. DO NOT remove the grease cup until the griddle has completely cooled.

PREVENTING RUST

- DO NOT expose the griddle top to water inbetween uses. Always dry immediately.
- Use your griddle frequently. Every time you cook, you are adding to the seasoning, which makes rust less likely and improves the non-stick properties of the griddle plate.

Note: If you live in a humid or coastal climate, your griddle may require more frequent seasonings between uses.



If rust appears: Rub it off with steel wool, low grit sandpaper or a pumice stone and re-season the affected surface.

⚠ WARNING

Grease build up can cause a fire. Clean any part of the appliance that gets hot and experiences grease build up after each use.

⚠ CAUTION

All cleaning and maintenance should be carried out when the appliance is cool and everything is turned OFF.

NOTICE

DO NOT use Citrisol, abrasive cleaners, or a concentrated cleaner on the appliance. This may result in damage to and failure of parts.

- DO NOT use abrasive pad on areas with graphics.
- If a bristle brush is used to clean any of the cooking surfaces, ensure no loose bristles remain on cooking surfaces prior to cooking.
- Wash appliance body with warm soapy water and immediately wipe dry with a non-abrasive cloth. (DO NOT allow cleaning agents to rest on any porous surface for a prolonged amount of time.)

STORAGE & PERIODIC MAINTENANCE

⚠ WARNING

DO NOT move the appliance when in use. Allow the appliance to cool to (45°C / 115°F) before moving or storing.

Check for and tighten any loose hardware, especially before and after transporting or moving the appliance.



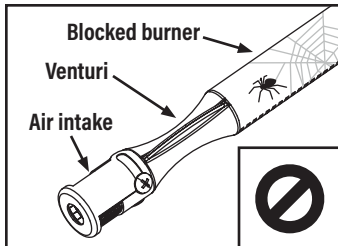
Cover your appliance when stored outdoors. DO NOT store where water will pool.



CLEANING THE BURNER ASSEMBLY

Spiders and insects can nest within and clog the burner/venturi tube at the orifice.

To reduce chance of a flashback fire, the procedure below should be followed at least once a month when spiders are most active or when your appliance has not been used for a period of time.



⚠ WARNING

A clogged burner can lead to a fire beneath the appliance.
Burner should be removed and cleaned whenever blockages are found.

STEP 01 Ensure that the gas is turned OFF at control knobs and gas supply.

- Remove griddle top (hold from the sides).
- Detach the burner.

STEP 02 Carefully lift the burner up and away from the gas valve orifice.

STEP 03 Clean the inside of the burner:

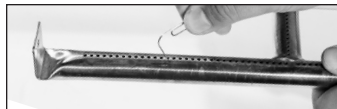
- Run a narrow bottle brush through the burner several times. (DO NOT use wire brushes)
- Use compressed air to blow out the burner. (Wear eye protection)



STEP 04 Brush entire outer surface of burner to remove grime.

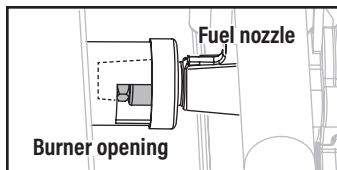


STEP 05 Clean any blocked ports with stiff wire such as an open paper clip.



STEP 06 Carefully replace burners and reattach, with attention to the location of the ignition needle.

⚠ The gas rail fuel nozzle must be reengaged within the burner opening.





TROUBLESHOOTING

BURNER WILL NOT IGNITE

If ignition does not occur in 5 seconds:

STEP 01 Turn the appliance OFF.

STEP 02 Wait 5 minutes.

STEP 03 Repeat the lighting procedure.

If this does not work, attempt to ignite your appliance with a match to determine the cause.

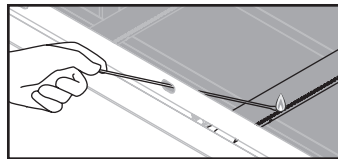
MATCH LIGHTING INSTRUCTIONS

Before beginning, check for gas leaks. Open hood (if applicable).

STEP 01 Turn controls to OFF.

STEP 02 Light a match (or long lighter) no shorter than (27.9 cm / 11 in) long.

STEP 03 Place the flame next to the burner.



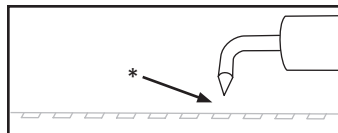
STEP 04 Turn the burner control to LOW. Ensure the burner lights and stays lit.

IF A MATCH CAN NOT IGNITE YOUR APPLIANCE:

POSSIBLE CAUSES	SOLUTION
Gas is not reaching the burners.	Reference the "Gas Is Not Reaching the Burners" section.

IF A MATCH CAN IGNITE YOUR APPLIANCE:

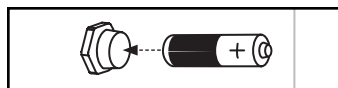
POSSIBLE CAUSES	SOLUTION
Ignitor wire misaligned.	Ensure that the ignitor needle is positioned *(3~7 mm / 1/8~1/4 in) away from the burner, and aligned with the burner holes.



Damage to the ignition system.	Contact customer support for replacement parts.
--------------------------------	---

Dead / improperly installed battery.	Replace with new battery.
--------------------------------------	---------------------------

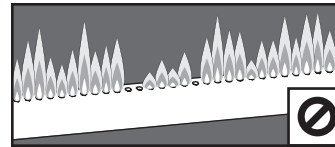
For recycling and disposal of batteries to protect the environment, please check the internet or your local phone directory for local recycling centers and/ or follow local government regulations.



- Ensure the battery is installed correctly with regard to polarity (+ and -).
- Remove batteries from equipment that is not to be used for an extended period of time.
- Remove used batteries promptly.

GAS IS NOT REACHING THE BURNERS

FLAMES ARE YELLOW OR IRREGULAR



- Burner flames are inconsistent.
- Flame height drops when a second burner is lit.
- Appliance will not achieve a high heat or heats unevenly.

POSSIBLE CAUSES	SOLUTION
-----------------	----------

Gas cylinder is empty or low. (Not applicable if connected to natural gas)	Refill or replace the gas cylinder.
--	-------------------------------------

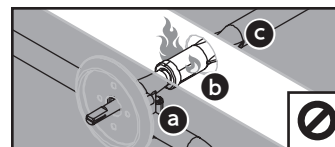
The regulator's flow limiting device was triggered. (Not applicable for appliances that DO NOT have a permanently affixed regulator)	Reset the safety system: STEP 01 Turn OFF the appliance, close the gas cylinder valve, and disconnect the regulator from the gas cylinder.
--	--

STEP 02 Wait five minutes to allow the pressure to dissipate, then reconnect the regulator to the gas cylinder and slowly open the gas cylinder hand wheel one to three turns.

STEP 03 Ignite your appliance. If this does not work, the regulator may be stuck in the safety position. Contact customer support for replacement parts.

Obstructions in the burner.	Clean the burner assembly to remove the obstruction.
-----------------------------	--

FLAME IN AN UNEXPECTED LOCATION



- a** Gas rail & valves.
- b** Air gate/ intake.
- c** Burner.

POSSIBLE CAUSES	SOLUTION
-----------------	----------

Something is blocking the venturi in the burner.	Contact customer support to prevent damage to the appliance.
--	--

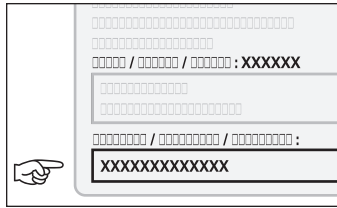


CUSTOMER SUPPORT

SERIAL NUMBER LOCATION

To enable your warranty, you will need to provide your appliance's Serial Number.

The Serial Number can be found on the Manufacturer Label/ the large silver sticker on your appliance.



DIGITAL OWNER'S MANUAL

This manual can be found on your retailer's website, or by contacting customer support.

CONTACT US

- For questions, inquiries, and customer support.
- To register your product and activate your warranty.
- Before returning this appliance to your retailer.
- For hours and languages spoken.

USA

Website: BlackstoneProducts.com/support

CANADA

Website: BlackstoneGriddles.ca



FREE E-COOKBOOK WHEN YOU REGISTER

ONE YEAR WARRANTY

North Atlantic Imports, LLC warrants this product against defects in materials and workmanship for a period of one (1) year from the original date of purchase under normal use. To the extent any such defects occur, North Atlantic Imports, LLC, in its discretion, will provide the appropriate replacement part(s) at no charge.

In no event shall North Atlantic Imports, LLC be liable for consequential, indirect or incidental damages resulting from the installation, use or failure of the product.

This warranty DOES NOT cover:

- Inspection costs or labor for replacement of any defective part(s);
- Cosmetic defects which DO NOT affect product performance or integrity;
- Normal wear and tear;
- Damage due to vandalism; acts of nature, including but not limited to wind, storms, hail, floods;
- Improper assembly, installation, or use;
- Discoloration or fading of the finish as a result of exposure to chemicals, spills, pool or salt water;
- Corrosion/ rust.

This product has been designed for safety and quality. Any modifications made to the original product could compromise its structural integrity or function and could lead to product failure or personal injury. As such, modifying this product voids all warranties.

This product is for RESIDENTIAL USE ONLY, and is not for commercial, contract or other non-residential purposes. North Atlantic Imports, LLC disclaims all other representations and warranties of any kind, express or implied.

The warranty applies to the original purchaser and is non-transferable. It does not apply to accessories or parts not supplied with the product, to purchases of display models, or to product that is sold on clearance or "as is". You may, however, have other specific legal rights based on the laws of your specific state or country of residence.

North Atlantic Imports, LLC reserves the right to change or modify this warranty at any time.

This product may be covered by one or more issued U.S. and/or international patents and may include patent applications pending.

For more information, please visit: BlackstoneProducts.com/patents

Blackstone is a registered trademark of North Atlantic Imports, LLC

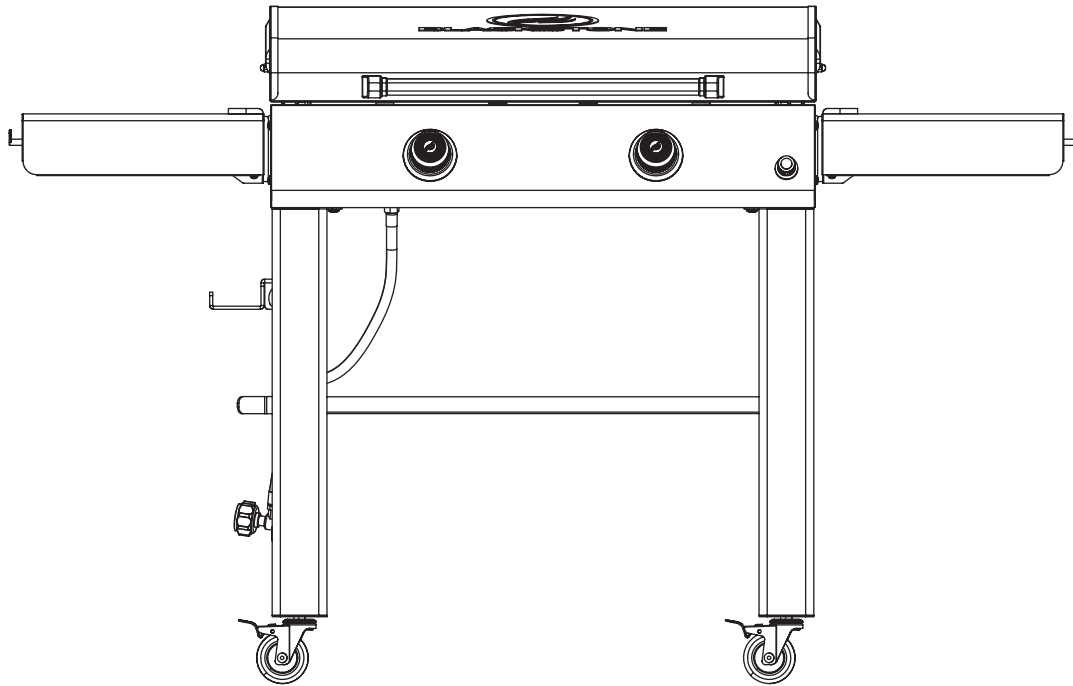
©2025 North Atlantic Imports. All rights reserved.

Distributed by North Atlantic Imports, LLC 1073 W 1700 N Logan, UT 84321 USA



This page intentionally left blank





FRANÇAIS

MANUEL DU PROPRIÉTAIRE

PLAQUE CHAUFFANTE DE 30 PO AVEC HOTTE ET TABLETTES À HAUTEUR DE COMPTOIR

TABLE DES MATIÈRES

INFORMATIONS DE SÉCURITÉ IMPORTANTES	02
GUIDE D'ASSEMBLAGE	04
INSTRUCTIONS D'UTILISATION	11
DÉPANNAGE	17
SERVICE CLIENT	18



Dernière version du manuel :
BlackstoneProducts.com/support

IMPORTANT :

Ce manuel d'instructions contient des informations importantes nécessaires au montage correct et à l'utilisation en toute sécurité de l'appareil.

Lisez et suivez tous les avertissements et instructions avant d'assembler et d'utiliser l'appareil.

Suivez tous les avertissements et instructions lors de l'utilisation de l'appareil.

Conservez ce manuel pour référence ultérieure.

Installateur/Assembleur : Laisser ces instructions au consommateur.

CLÉ D'ALERTE DE SÉCURITÉ

⚠ DANGER

Indique une situation dangereuse qui, si elle n'est pas évitée, entraînera la mort ou des blessures graves.

⚠ ATTENTION

Indique une situation dangereuse qui, si elle n'est pas évitée, pourrait entraîner des blessures mineures ou modérées.

⚠ AVERTISSEMENT

Indique une situation dangereuse qui, si elle n'est pas évitée, peut entraîner la mort ou des blessures graves.

AVIS

Indique des informations considérées comme importantes, mais non liées à un danger (par exemple, des messages liés à des dommages matériels).

INFORMATIONS DE SÉCURITÉ IMPORTANTES

SÉCURITÉ DES APPAREILS À GAZ

⚠ DANGER

Si vous sentez une odeur de gaz :

- Fermez le gaz vers l'appareil.
- Éteignez toute flamme nue.
- Ouvrez le capot (le cas échéant).
- Si l'odeur persiste, éloignez-vous de l'appareil et appelez immédiatement votre fournisseur de gaz ou votre service d'incendie.

Le non-respect de ces instructions peut entraîner un incendie ou des dommages matériels, des blessures ou la mort.

⚠ AVERTISSEMENT

Une bouteille de GPL non connectée pour utilisation ne doit pas être stockée à proximité de cet appareil ou de tout autre appareil.

Les bouteilles de GPL ne doivent pas être stockées dans des compartiments de l'appareil qui ne sont pas destinés à cet effet. Un tel stockage non autorisé peut entraîner une explosion, un incendie ou des blessures corporelles.

L'INSTALLATION DOIT ÊTRE CONFORME AUX CODES LOCAUX.

En l'absence de codes locaux, l'installation doit être conforme à ANSI Z223.1/NFPA 54, CSA B149.1 ou CSA B149.2.

⚠ DANGER

- **NE FAITES jamais fonctionner cet appareil sans surveillance.**
 - **En cas d'incendie, éloignez-vous de l'appareil et appelez immédiatement les pompiers. N'ESSAYEZ PAS d'éteindre un feu d'huile ou de graisse avec de l'eau.**
- Le non-respect de ces instructions peut entraîner un incendie ou des dommages matériels, des blessures ou la mort.

⚠ DANGER



RISQUE DE MONOXYDE DE CARBONE

Cet appareil peut produire du monoxyde de carbone qui est toxique et inodore.

Son utilisation dans un espace clos peut vous tuer. N'utilisez jamais cet appareil dans un espace clos tel qu'un camping-car, une tente, une voiture ou une maison.

⚠ DANGER

POUR VOTRE SÉCURITÉ

Ne stockez pas et N'UTILISEZ PAS d'essence ou d'autres liquides ou vapeurs inflammables à proximité de cet appareil ou de tout autre appareil.

Les objets inflammables peuvent prendre feu s'ils sont placés à proximité de l'appareil.

Gardez la zone de l'appareil dégagée et exempte de matériaux combustibles, de contenants aérosols, d'essence et d'autres vapeurs et liquides inflammables.

⚠ AVERTISSEMENT

Une installation, une utilisation, un réglage, une altération, un service, une modification ou un entretien inappropriés peuvent provoquer des dommages matériels, des blessures graves, voire la mort. Lisez attentivement les instructions d'installation, d'utilisation et d'entretien (consultez ce manuel) avant d'installer ou d'entretenir cet équipement.

- L'utilisation d'alcool, de médicaments sur ordonnance ou en vente libre peut nuire à la capacité du consommateur à assembler correctement ou à utiliser l'appareil en toute sécurité.
- Gardez les enfants et les animaux domestiques éloignés de l'appareil à tout moment.
- Ayez à portée de main un extincteur de type BC ou ABC.
- NE PAS utiliser à des fins autres que celles prévues.
- N'UTILISEZ PAS cet appareil comme appareil de chauffage.
- Pour usage domestique extérieur uniquement, pas pour un usage commercial.



AMÉNAGEMENT DE VOTRE ESPACE EXTÉRIEUR

CET APPAREIL NE DOIT ÊTRE UTILISÉ QU'À L'EXTÉRIEUR SUR UNE SURFACE PLANE.

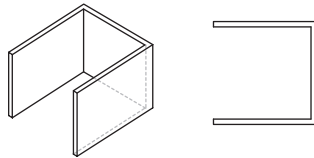
- N'UTILISEZ PAS cet appareil à l'intérieur de bâtiments, de garages ou de tout autre espace clos.
- N'INSTALLEZ PAS cet appareil dans ou sur un bateau.
- N'INSTALLEZ PAS cet appareil dans ou sur un véhicule récréatif.

ESPACES EXTÉRIEURS ABRITÉS :

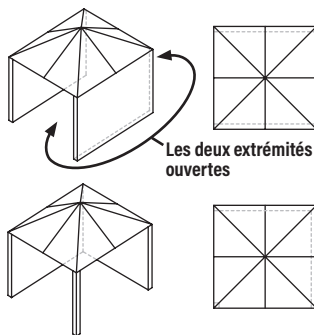
Toutes les ouvertures doivent être ouvertes en permanence ; les portes coulissantes, les portes de garage, les fenêtres ou les ouvertures grillagées ne sont pas considérées comme des ouvertures permanentes.

Un appareil est considéré comme étant à l'extérieur s'il est installé avec un abri ne dépassant pas :

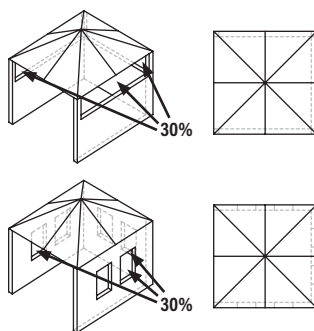
- a. Avec des murs sur trois côtés, mais sans couverture aérienne.



- b. À l'intérieur d'une enceinte partielle qui comprend un toit supérieur et pas plus de deux parois latérales. Les parois latérales peuvent être parallèles, comme dans un passage couvert, ou à angle droit l'une par rapport à l'autre.



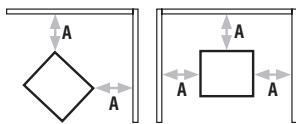
- c. À l'intérieur d'une enceinte partielle qui comprend un couvercle supérieur et trois parois latérales, tant que 30% ou plus de la périphérie horizontale de l'enceinte est ouverte en permanence.



La température ambiante minimale de fonctionnement est de (-18°C / 0°F).

MAINTENIR DES DÉGAGEMENTS APPROPRIÉS PAR RAPPORT AUX MATÉRIEAUX COMBUSTIBLES :

- N'UTILISEZ PAS cet appareil sur ou sous un balcon ou une terrasse d'appartement ou de copropriété.
- NE PAS obstruer le flux d'air de combustion et de ventilation.



NE FAITES pas fonctionner cet appareil à moins de (91 cm / 3 pi) des côtés et de l'arrière de l'appareil à une construction combustible.

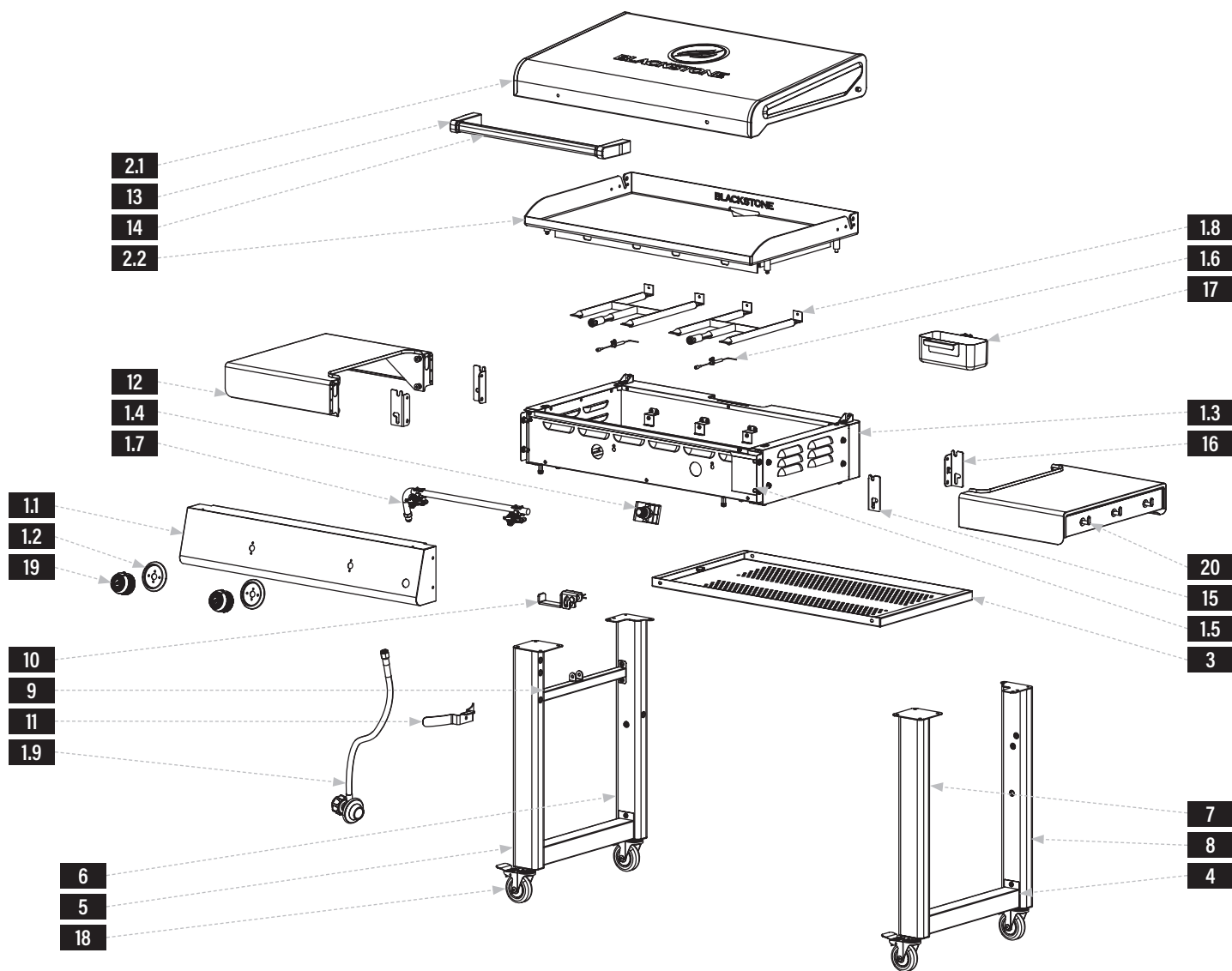
A = (91 cm / 3 pi)

- N'UTILISEZ PAS cet appareil sous une construction combustible suspendue.

GUIDE D'ASSEMBLAGE

VUE ÉCLATÉE

FRANÇAIS

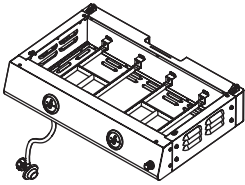
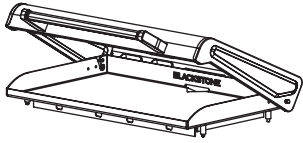
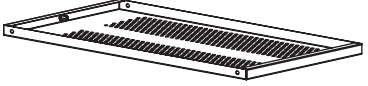
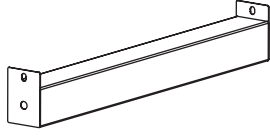
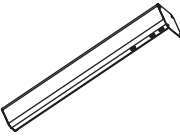
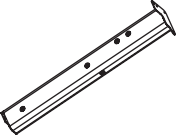
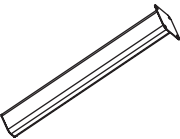
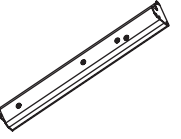
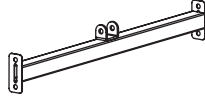
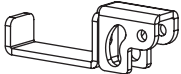


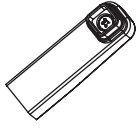
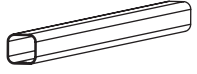
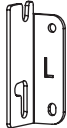
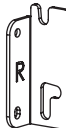
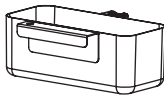


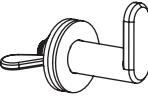


LISTE DES PIÈCES

PIÈCES	QTÉ	PIÈCES	QTÉ	PIÈCES	QTÉ	PIÈCES	QTÉ				
1.1	Panneau de commande	1	1.4	Allumeur électrique	1	1.7	Rampe de gaz	1	2.1	Capot	1
1.2	Lunette de bouton de commande	2	1.5	Bouclier thermique d'allumage	1	1.8	Brûleurs H	2	2.2	Dessus de plaque chauffante	1
1.3	Boîte à brûleur	1	1.6	Aiguilles d'allumage	2	1.9	Tuyau régulateur	1			



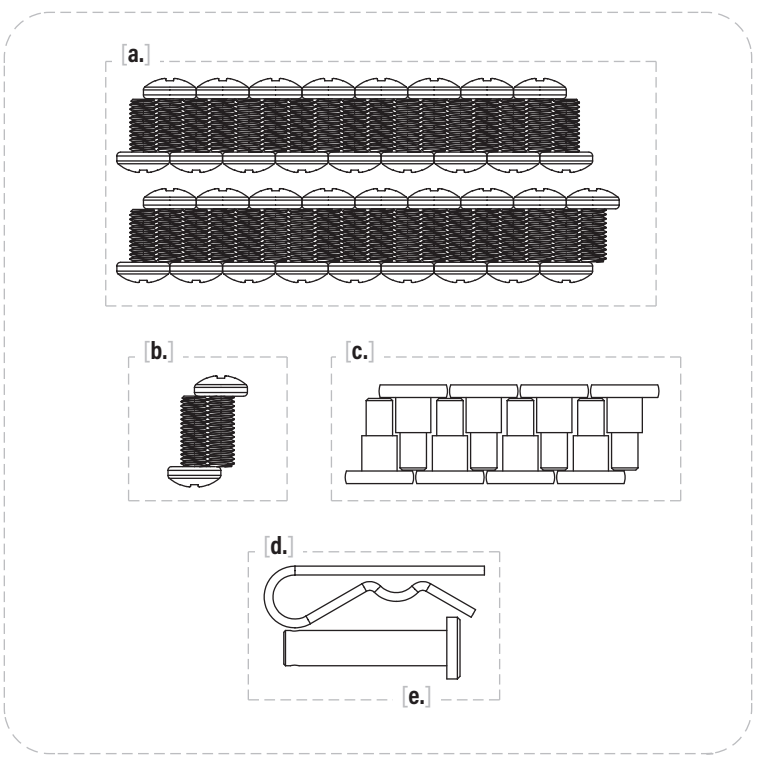


<p>1 Corps de plancha (1 pièce)</p> 	<p>2 Dessus de plaque chauffante et hotte (1 pièce)</p> 	<p>3 Étagère de stabilisation (1 pièce)</p> 			
<p>4 Barres transversales (2 pièces)</p> 	<p>5 Patte avant gauche (1 pièce)</p> 	<p>6 Pied arrière gauche (1 pièce)</p> 	<p>7 Jambe avant droite (1 pièce)</p> 	<p>8 Pied arrière droit (1 pièce)</p> 	
<p>9 Barre GPL (1 pièce)</p> 	<p>10 Crochet GPL (1 pièce)</p> 	<p>11 Support GPL (1 pièce)</p> 	<p>12 Étagères latérales (2 pièces)</p> 	<p>13 Entretoises de poignée (2 pièces)</p> 	<p>14 Poignée de capot (1 pièce)</p> 
<p>15 Support de tablette latérale (L) (2 pièces)</p> 	<p>16 Support de tablette latérale (R) (2 pièces)</p> 	<p>17 Pot à graisse (1 pièce)</p> 	<p>18 Roulettes (4 pièces)</p> 	<p>19 Boutons de commande (2 pièces)</p> 	<p>20 Crochets pour tablette latérale (6 pièces)</p> 

FRANÇAIS

21 Pack matériel (1 pièce)

- a. Vis M6x12 (35 pièces)
- b. Vis M6x16 (2 pièces)
- c. Boulons à épaulement M6 à tête plate (8 pièces)
- d. Goupille fendue (1 pièce)
- e. Goupille de cisaillement (1 pièce)




INSTRUCTIONS DE MONTAGE

⚠ ATTENTION

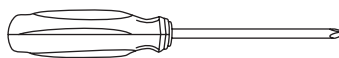
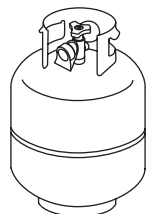
Arêtes vives et points de pincement possibles lors du déballage. Porter des gants lors du montage.

- Trouvez une grande surface propre pour assembler votre appareil.
- Retirez tous les matériaux d'emballage avant l'assemblage. (Il se peut que vous ayez du matériel supplémentaire ou de rechange après l'assemblage.)

⚠ ATTENTION

Morceaux lourds. Deux personnes doivent assembler cet appareil.

- Serrez légèrement toutes les vis/boulons de chaque marche avant de serrer complètement.



NÉCESSAIRE POUR L'UTILISATION (NON INCLUS) :

Bouteille de GPL de (9,1 kg / 20 lb)

NÉCESSAIRE POUR L'UTILISATION (NON INCLUS) :

Une (1) pile AA de 1,5 V (pour l'allumage)

NÉCESSAIRE POUR L'ASSEMBLAGE (NON INCLUS) :

Tournevis cruciforme n° 3

ÉTAPE 01 ① Utilisez deux (2) vis M6x12 [a.] pour fixer le pied arrière gauche à la barre GPL.

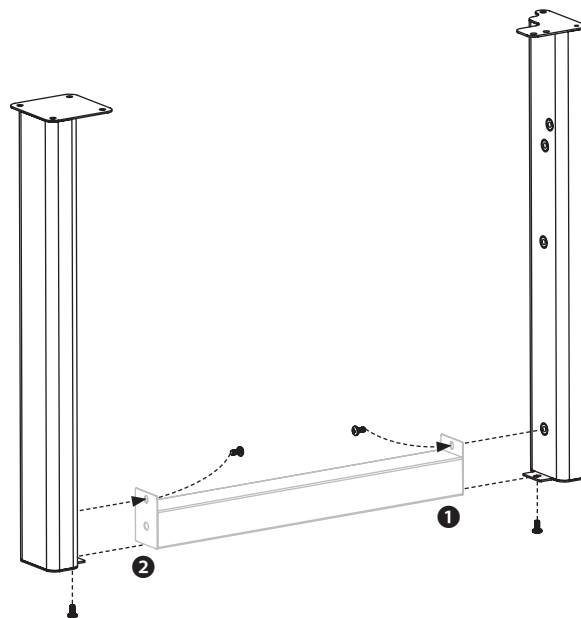
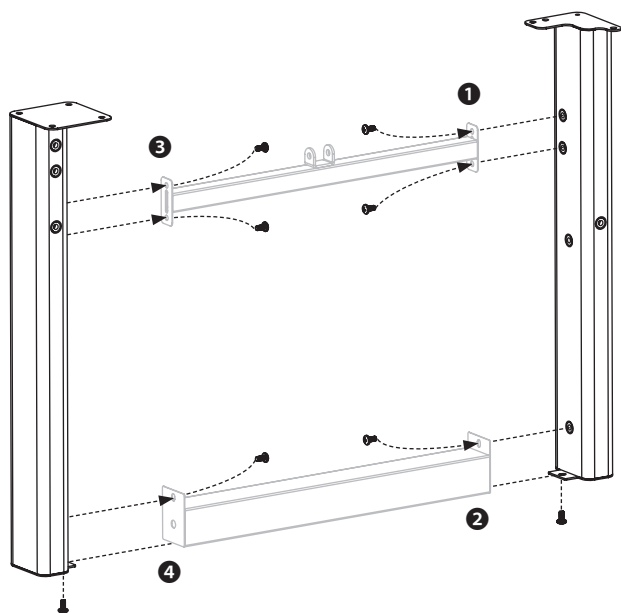
② Utilisez deux (2) vis M6x12 [a.] pour fixer le pied arrière gauche à une (1) barre transversale.

③ Utilisez deux (2) vis M6x12 [a.] pour fixer le pied avant gauche à la barre GPL.

④ Utilisez deux (2) vis M6x12 [a.] pour fixer le pied avant gauche à la barre transversale.

ÉTAPE 02 ① Utilisez deux (2) vis M6x12 [a.] pour fixer le pied arrière droit à une (1) barre transversale.

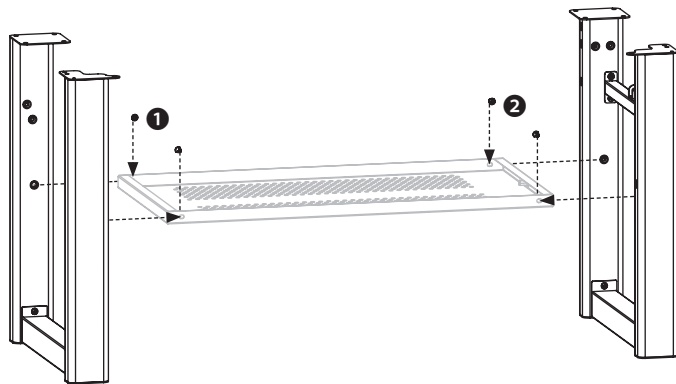
② Utilisez deux (2) vis M6x12 [a.] pour fixer le pied avant droit à la barre transversale.



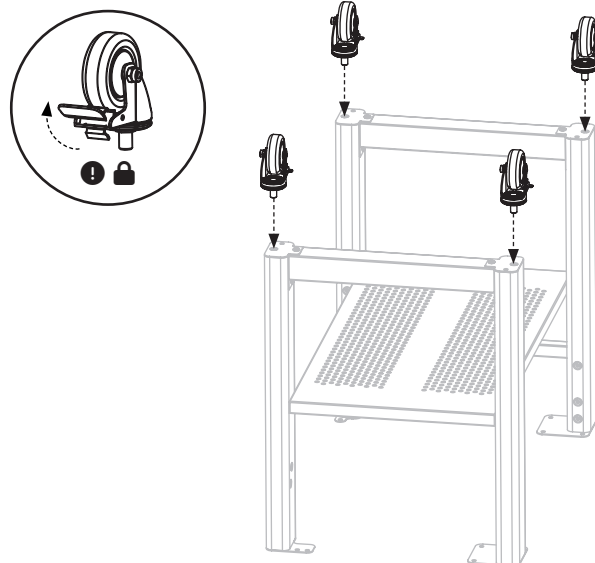


ÉTAPE 03 1 Utilisez deux (2) vis M6x12 [a.] pour fixer le pied droit à la tablette de stabilisation.

2 Utilisez deux (2) vis M6x12 [a.] pour fixer le pied gauche à la tablette de stabilisation.

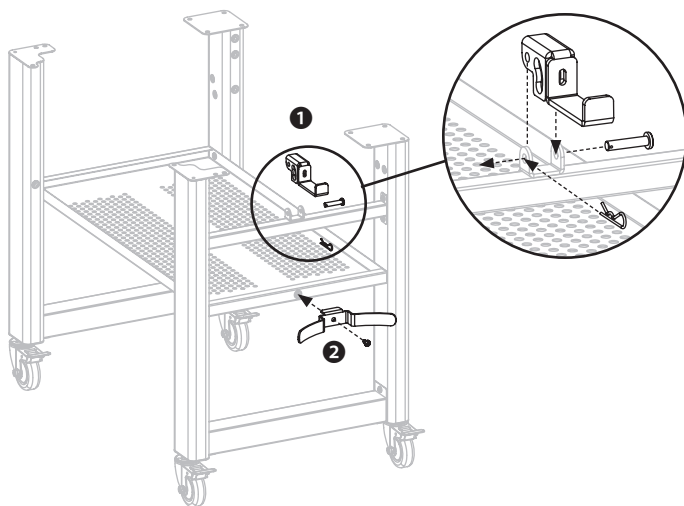


ÉTAPE 04 Retournez l'assemblage des pieds. Vissez les quatre (4) roulettes dans les pieds. (Assurez-vous que les roues sont bloquées.)



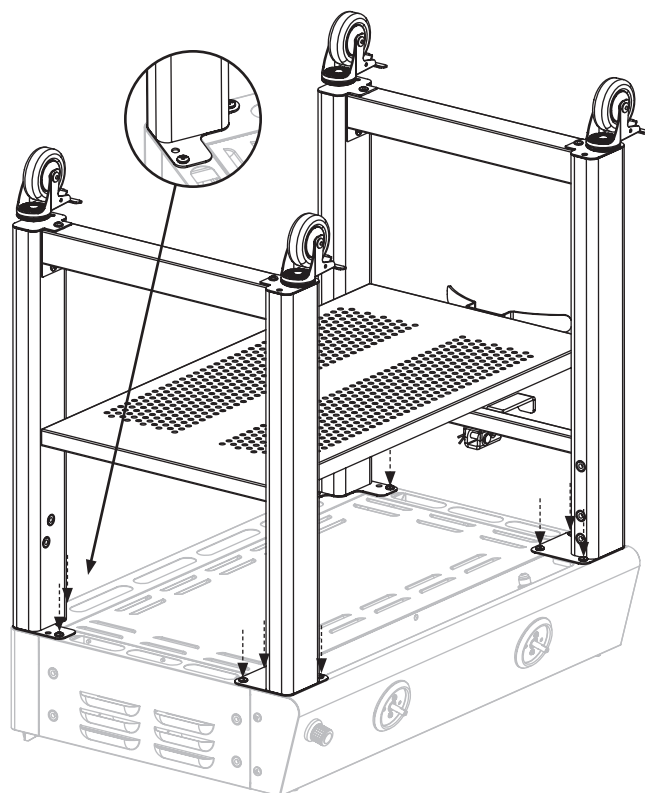
ÉTAPE 05 1 Utilisez une (1) goupille de cisaillement [e.] pour fixer le crochet GPL à la barre GPL. Utilisez une (1) goupille fendue [d.] pour fixer.

2 Utilisez une (1) vis M6x12 [a.] pour fixer le support GPL à la tablette de stabilisation.



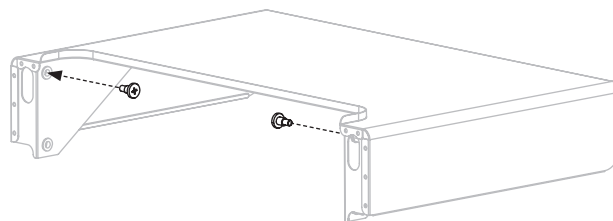
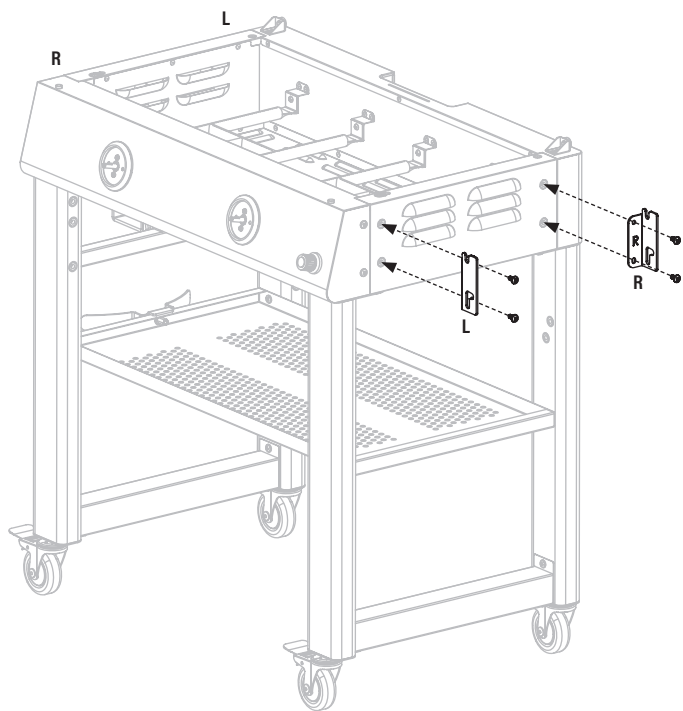
ÉTAPE 06 Placez le corps de la plaque chauffante à l'envers. Avec l'aide d'une autre personne, placez l'assemblage des pieds sur le corps de la plaque chauffante.

Utilisez dix (10) vis M6x12 [a.] pour fixer le corps de la plaque chauffante aux pieds. (Utilisez trois (3) vis pour chaque pied avant et deux (2) vis pour chaque pied arrière.)



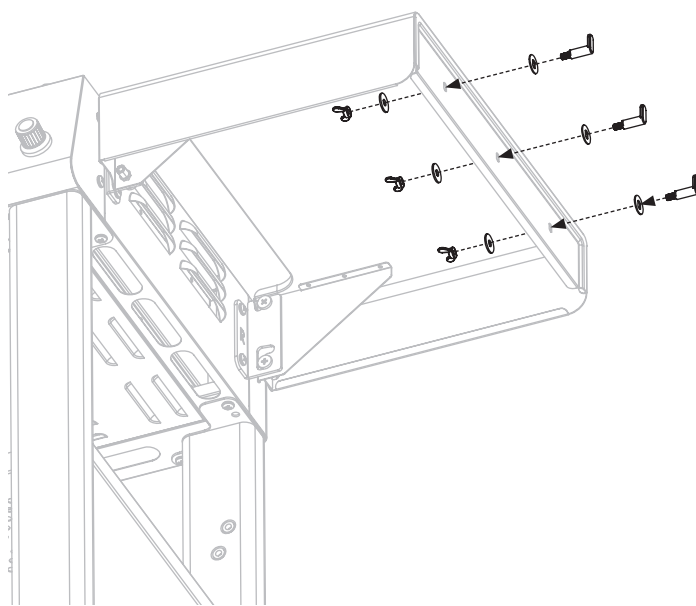
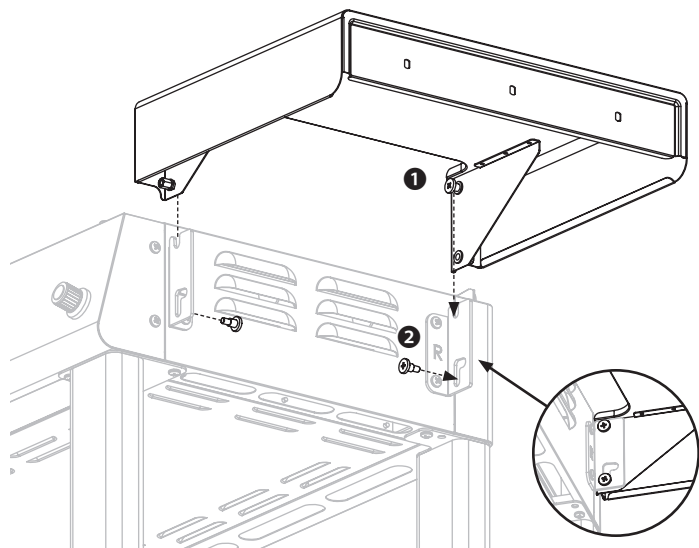
ÉTAPE 07 Utilisez quatre (4) vis M6x12 [a.] pour fixer un (1) support de tablette latérale (L) et un (1) support de tablette latérale (R) sur le côté droit du corps de la plaque chauffante.
Répétez avec le côté gauche du corps de la plaque chauffante.

ÉTAPE 08 Vissez deux (2) boulons à épaulement à tête plate M6x12 [c.] dans les trous supérieurs d'une (1) tablette latérale.
Répétez avec l'autre étagère latérale.



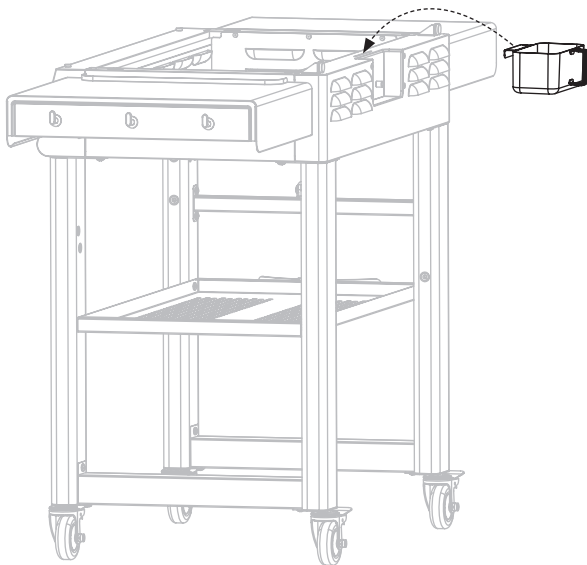
ÉTAPE 09 1 Faites glisser les boulons à épaulement d'une (1) tablette latérale sur les supports de tablette latérale sur le côté droit du corps de la plaque chauffante.
2 Utilisez deux (2) boulons à épaulement à tête plate M6x12 [c.] pour fixer la tablette aux supports de tablette latérale.
Répétez avec le côté gauche du corps de la plaque chauffante.

ÉTAPE 10 Utilisez les trois (3) écrous à oreilles et les trois rondelles préinstallés sur les crochets d'étagère latérale pour fixer trois (3) rondelles et trois (3) crochets d'étagère latérale à une (1) étagère latérale.
Répétez avec l'autre étagère latérale.

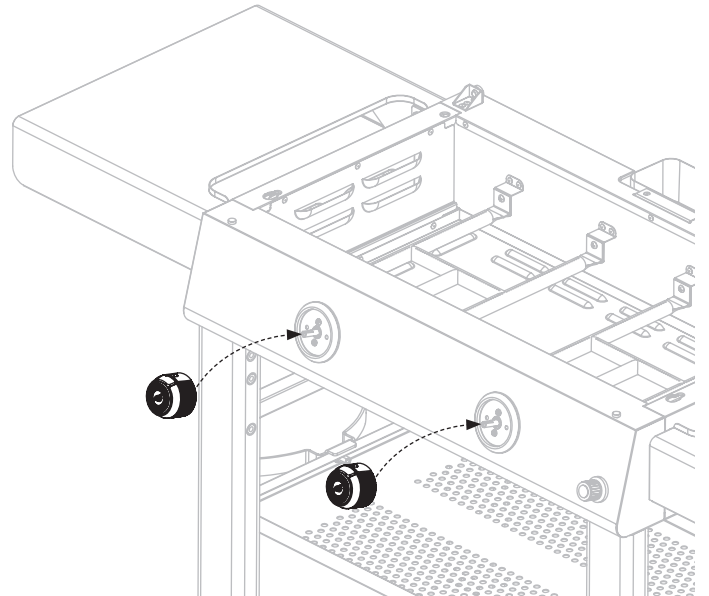




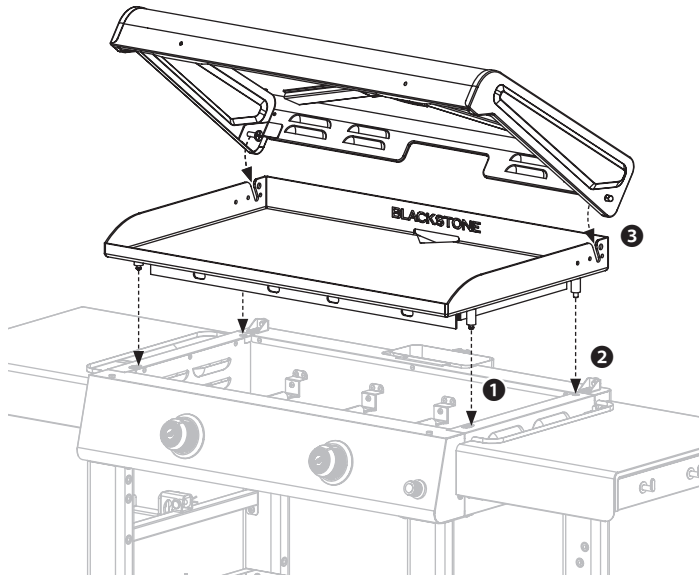
ÉTAPE 11 Accrochez le godet à graisse dans la fente à l'arrière du corps de la plaque chauffante.



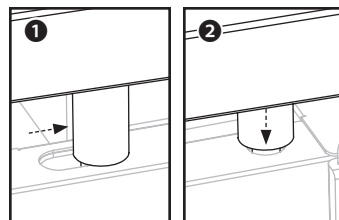
ÉTAPE 12 Installez les deux (2) boutons de commande en les poussant sur les tiges de valve du rail de gaz en position OFF.



ÉTAPE 13 Avec l'aide d'une autre personne, placez le dessus de la plaque chauffante sur le corps principal en alignant les 4 broches sur les trous du corps.

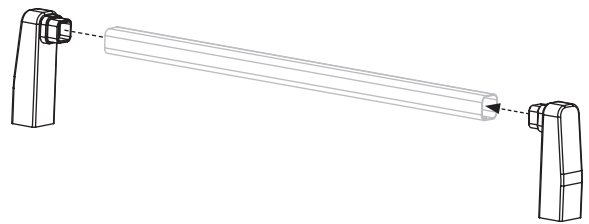


- ❶ Placez les deux goupilles avant dans les trous de verrouillage avant et repoussez le dessus de la plaque chauffante.
- ❷ Ensuite, placez les deux broches arrière dans les trous arrière.

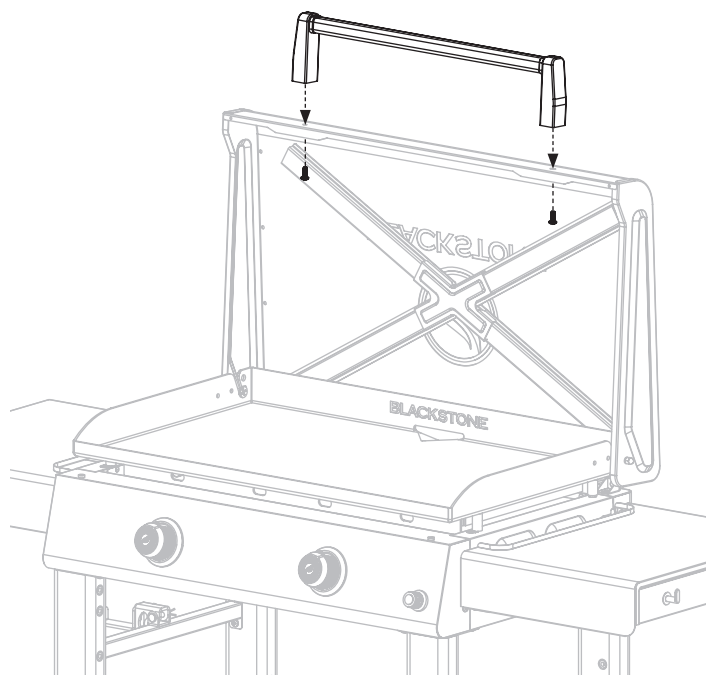


- ❸ Faites glisser les boulons à gradins de la hotte dans les fentes de la hotte supérieure de la plaque chauffante.

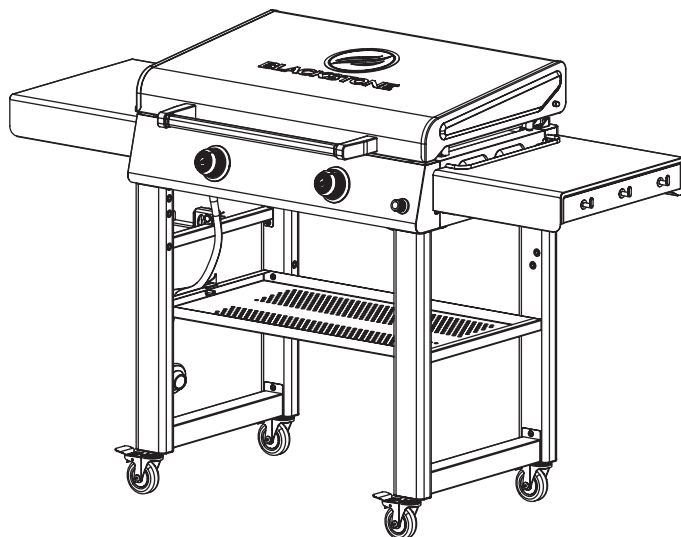
ÉTAPE 14 Faites glisser les deux (2) entretoises de poignée dans la poignée du capot.



ÉTAPE 15. Utilisez les deux (2) vis M6x16 [b.] pour fixer la poignée de la hotte à la hotte.



ÉTAPE 16 Passez aux **INSTRUCTIONS D'UTILISATION.**

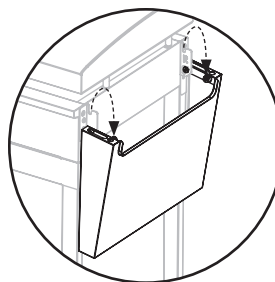


AVIS

Ne placez pas d'articles sur la tablette de stabilisation pendant l'utilisation.

AVIS

- Le poids maximum sur la tablette latérale est de (4,5 kg / 10 lb).
- La tablette latérale peut devenir chaude pendant l'utilisation de l'appareil.



Soulevez et pliez la tablette latérale lors du déplacement ou du stockage, selon le cas.

(La conception des tablettes peut varier.)

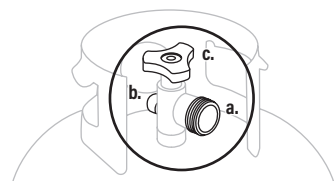


INSTRUCTIONS D'UTILISATION

LE SYSTÈME GAZ

EXIGENCES RELATIVES AUX BOUTEILLES DE GPL

- Le système d'alimentation des bouteilles de GPL doit être prévu pour l'évacuation des vapeurs.
- Gardez toujours les nouvelles bouteilles de GPL en position verticale pendant l'utilisation, le transport ou le stockage.
- Gardez toujours les ouvertures de ventilation de l'enceinte du cylindre libres et exemptes de débris.
- La bouteille de GPL à utiliser doit être construite et marquée conformément aux spécifications pour les bouteilles de GPL du ministère des Transports des États-Unis (DOT) ou à la norme CSA B339, selon le cas.
- Seules les bouteilles de GPL marquées « propane » doivent être utilisées.
- La bouteille de GPL doit inclure un collier pour protéger la valve de la bouteille de GPL.
- Utilisez uniquement une bouteille de (9,1 kg / 20 lb)(45,72 x 30,48 cm/18 x 12 po).



LA VALVE DE LA BOUTEILLE DE GPL DOIT AVOIR :

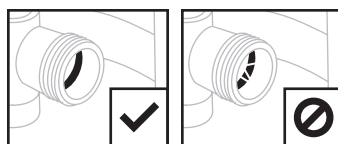
- Sortie de valve de type 1 (filetage à l'extérieur).
- Soupape de sécurité.
- Dispositif de protection contre le débordement (OPD) homologué UL. Cette fonction de sécurité OPD est identifiée par un volant triangulaire unique.

Remplacez la bouteille uniquement par une bouteille équipée d'un dispositif de sécurité OPD.

RACCORDS ET TUYAUX

Avant le raccordement et l'utilisation, assurez-vous qu'aucun débris n'est coincé ou endommagé dans la tête de la bouteille de gaz, le régulateur, le tuyau, le brûleur et les ports du brûleur. (Un tuyau/régulateur usé ou endommagé doit être remplacé par un modèle approuvé par Blackstone avant d'utiliser l'appareil.)

- Il est recommandé de vérifier et de resserrer chaque année les raccords métalliques.
- Assurez-vous que le tuyau n'est pas obstrué, plié ou en contact avec une partie de l'appareil autre que son raccordement.



CVÉRIFIEZ LE JOINT AVANT UTILISATION

Le joint de sortie de la vanne pourrait, avec le temps, présenter des dommages ou une détérioration marqués et visibles qui pourraient provoquer une fuite même avec le raccordement serré.

- Une inspection visuelle du joint doit être effectuée à chaque fois qu'une bouteille de GPL est remplacée ou remplie.
- Toute bouteille de GPL présentant des signes de dommage ou de détérioration comme ceux illustrés, notamment des fissures et des piqûres visibles, doit être retournée inutilisée au vendeur.

SÉCURITÉ DU RÉGULATEUR

- Utilisez cet appareil, tel qu'il a été acheté, uniquement avec le gaz et l'ensemble régulateur/vanne fournis. N'UTILISEZ PAS de raccords rapides ou d'autres modules complémentaires autres que ceux conçus et autorisés par Blackstone.
- NE PAS croiser le filetage (forcer à un angle inapproprié) la connexion entre votre bouteille de GPL et le régulateur.
- Si vous ne parvenez pas à connecter le régulateur, N'UTILISEZ PAS le régulateur.

Le régulateur doit être remplacé par un modèle approuvé par Blackstone par un revendeur agréé et agréé.

CONNECTER LA BOUTEILLE DE GPL

ÉTAPE 01 Tournez les boutons de commande sur OFF.

Assurez-vous que la bouteille de GPL est éteinte en tournant le volant dans le sens des aiguilles d'une montre jusqu'à l'arrêt complet.

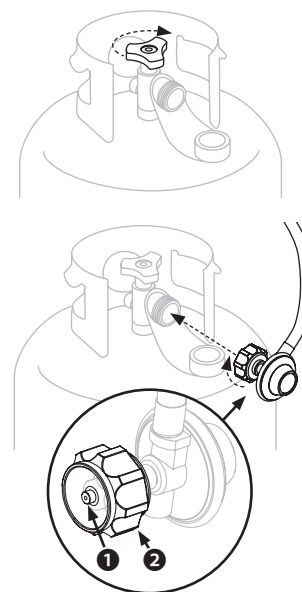
ÉTAPE 02 Tenir le régulateur en ligne droite avec la sortie de la vanne afin de NE PAS croiser le filetage du raccord.

1 Centrez et insérez le mamelon du régulateur dans la sortie de la vanne.

2 Serrez l'écrou d'accouplement à la main dans le sens des aiguilles d'une montre.

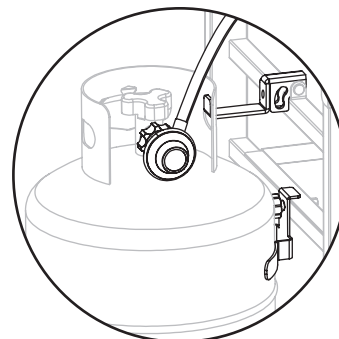
(N'UTILISEZ PAS d'outils pour vous connecter.)

Si la connexion ne peut pas être effectuée, débranchez le régulateur et répétez cette étape.



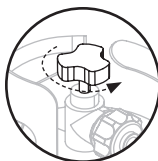
ÉTAPE 03 La soupape de sécurité doit être tournée vers l'utilisateur pendant que l'appareil est en cours d'utilisation.

Fixez la bouteille de GPL à l'appareil en l'accrochant au crochet GPL de manière à ce qu'elle s'emboîte contre le support GPL.



COMMENT ALLUMER LE GAZ :

Tournez le volant dans le sens antihoraire de 1 à 3 tours.



⚠ AVERTISSEMENT

Un régulateur gelé indique un problème. Fermez immédiatement la vanne de la bouteille de GPL et appelez votre revendeur de GPL local pour obtenir de l'aide.

INSTRUCTIONS POUR LE TEST DE FUITE

- Testez les fuites des bouteilles de GPL neuves et remplacées AVANT de les connecter à l'appareil.
- Ne fumez pas pendant le test de fuite.
- N'UTILISEZ PAS de flamme nue pour vérifier les fuites de gaz.
- L'appareil doit être testé contre les fuites à l'extérieur dans un endroit bien ventilé, loin des sources d'inflammation telles que les appareils à gaz ou électriques.
- Pendant le test de fuite, gardez l'appareil à l'écart des flammes nues ou des étincelles.

ÉTAPE 01 Coupez l'alimentation en gaz au niveau du robinet de la bouteille de gaz. Assurez-vous que les commandes sont éteintes.

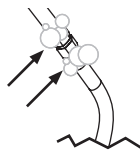
Connectez le régulateur à la bouteille de GPL et ouvrez le gaz.

Si vous entendez un bruit précipité, coupez immédiatement le gaz. Il y a une fuite importante au niveau de la connexion.

ÉTAPE 02 Préparez une solution de détection de fuite 9% en mélangeant (22,2 ml / 1,5 c. à soupe) de savon pour les mains/vaisselle avec (236,6 ml / 1 tasse) d'eau.

ÉTAPE 03 Utilisez un pinceau propre pour appliquer la solution sur les zones de joint des vannes et sur tout le tuyau du régulateur.

ÉTAPE 04 Si des fuites sont détectées (indiquées par la croissance de bulles), coupez immédiatement le gaz et resserrez les connexions.



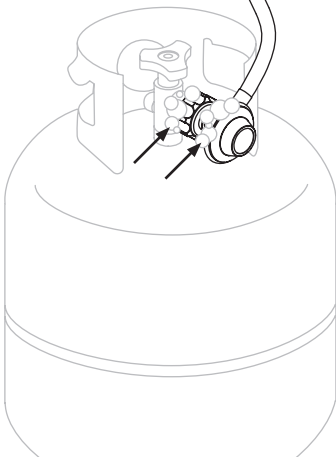
⚠ AVERTISSEMENT

Si les fuites ne peuvent pas être arrêtées, N'ESSAYEZ PAS de réparer.

Le régulateur doit être remplacé par un modèle approuvé par Blackstone par un revendeur agréé et agréé.

Si de la graisse ou tout autre matériau chaud coule sur la vanne, le tuyau ou le régulateur :

1. Coupez immédiatement l'alimentation en gaz.
2. Déterminez la cause et corrigez-la.
3. Nettoyer et inspecter la vanne, le tuyau et le régulateur.
4. Effectuez un test de fuite.



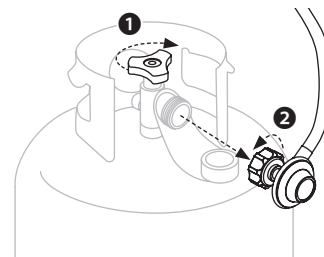
DÉBRANCHER LA BOUTEILLE DE GPL

- Débranchez la bouteille de GPL avant de déplacer ou de ranger l'appareil.
- Le stockage de l'appareil à l'intérieur n'est autorisé que si la bouteille de GPL est débranchée et retirée de l'appareil.

Assurez-vous que les boutons de commande sont sur OFF.

1 Assurez-vous que la bouteille de GPL est sur OFF en tournant le volant dans le sens horaire jusqu'en butée.

2 Tournez l'écrou de serrage dans le sens antihoraire à la main pour retirer le régulateur. (N'UTILISEZ PAS d'outils pour le débrancher.)



Placez le capuchon anti-poussière sur la sortie du robinet de la bouteille lorsque la bouteille n'est pas utilisée. Installez uniquement le type de capuchon anti-poussière sur la sortie du robinet de la bouteille fourni avec le robinet de la bouteille. D'autres types de bouchons ou de bouchons peuvent entraîner une fuite de propane.

STOCKAGE DES BOUTEILLES DE GPL

⚠ AVERTISSEMENT

- Ne stockez pas de bouteille de GPL de recharge sous, à proximité ou dans cet appareil.
 - Ne remplissez pas une bouteille de GPL à plus de 80%.
- Si les informations ci-dessus ne sont pas respectées à la lettre, un incendie pouvant entraîner la mort ou des blessures graves peut survenir.

- La bouteille de GPL doit être éteinte lorsque l'appareil n'est pas utilisé.
- Les bouteilles de GPL doivent être stockées à l'extérieur et hors de portée des enfants.
- Ne stockez pas de bouteille de GPL à l'intérieur d'un bâtiment, d'un garage ou dans tout autre espace clos.
- Ne stockez pas une bouteille de GPL dans un endroit où les températures peuvent dépasser (50°C / 122°F).

OBTENTION ET REMPLISSAGE DE LA BOUTEILLE DE GAZ

- Faites appel uniquement à des entreprises réputées qui inspectent, remplissent avec précision, testent et certifient leurs bouteilles. Le revendeur de GPL doit purger la nouvelle bouteille avant de la remplir.
- Pour retirer le gaz de la bouteille de GPL, contactez un revendeur de GPL certifié ou le service d'incendie local pour obtenir de l'aide.
- Ne rejetez pas de gaz de pétrole liquéfié (GPL) dans l'atmosphère.
- Le remplissage doit être effectué loin de toute source d'inflammation.
- Votre revendeur peut vous aider à associer une bouteille de GPL de remplacement à votre appareil.
- Le volume de propane dans la bouteille varie en fonction de la température.



INSTRUCTIONS D'ALLUMAGE

1. CLAPETS ANTI-RETOUR

⚠ Assurez-vous que le gaz est **COUPÉ** avant de vérifier les vannes de l'appareil. Branchez/ouvrez le gaz après avoir vérifié les vannes.

Ouvrez le capot/le couvercle avant d'allumer, le cas échéant.

ÉTAPE 01 Tournez tous les boutons de commande sur la position **1** off.

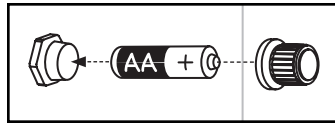
ÉTAPE 02 Appuyez sur les boutons de commande et relâchez-les.

ÉTAPE 03 Tournez les boutons de commande sur LOW puis remettez-les sur OFF. (Si les boutons de commande ne reviennent pas en position initiale ou ne tournent pas en douceur, contactez le service client.)

2. ALLUMAGE ALIMENTÉ PAR BATTERIE

ÉTAPE 01 Insérez une (1) pile AA sous le bouton d'allumage.

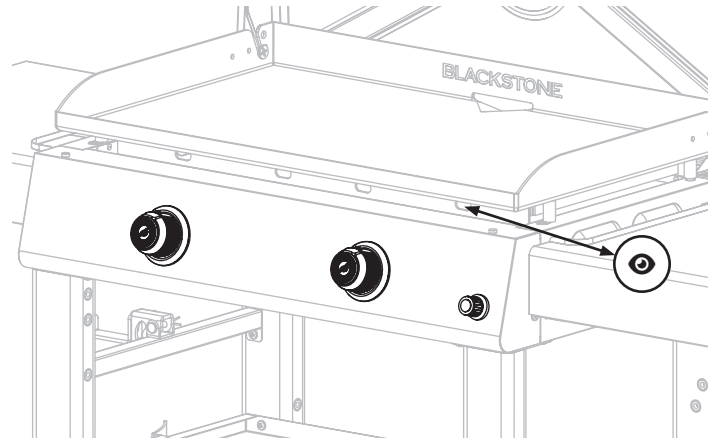
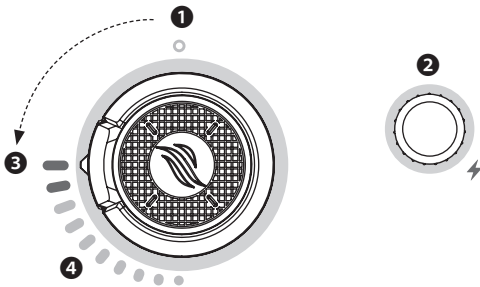
Visser le bouton en place sur la borne positive.



Nettoyez les contacts de la batterie et de l'appareil avant d'installer la batterie.

ÉTAPE 02

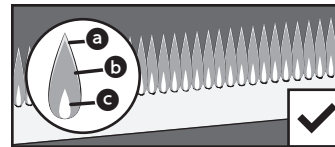
- 2** Appuyez sur le bouton d'allumage et maintenez-le enfoncé.
- 3** Appuyez sur le bouton de commande et tournez-le sur HIGH. (Allumez chaque brûleur un par un. Relâchez le bouton d'allumage lorsque tous les brûleurs sont allumés.)
- 4** Réglez la température au niveau souhaité.



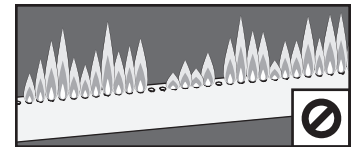
3. VÉRIFIEZ TOUJOURS LA FLAMME DU BRÛLEUR AVANT UTILISATION

↔ Distance de visualisation : pas plus près que (45,7 cm / 18 pouces).

FLAMME SAINES



JAUNE OU IRRÉGULIÈRE



a Scintillements jaunes. **b** Bleu foncé. **c** Bleu vif.

- Lorsque la température est réglée sur ÉLEVÉE, les flammes doivent être plus grandes que lorsque la température est réglée sur BASSE.
- Si les flammes sont jaunes, irrégulières, situées à un endroit inattendu ou s'éteignent soudainement, éteignez l'appareil et consultez le chapitre Dépannage.

⚠ AVERTISSEMENT

Si le brûleur ne s'allume pas avec la vanne d'alimentation en gaz ouverte, le gaz continuera de s'écouler hors du brûleur et pourrait s'allumer accidentellement/par inadvertance avec risque de blessure.

Si l'allumage ne se produit pas dans les 5 secondes :

1. Éteignez l'appareil.
2. Attendez 5 minutes.
3. Répétez la procédure d'allumage.

Si le brûleur ne s'allume pas, éteignez l'appareil et passez au chapitre Dépannage.

⚠ ATTENTION

Si votre appareil est équipé d'un capot/couvercle, le laisser fermé avec les brûleurs réglés à basse température pendant plus de 10 minutes peut provoquer une surchauffe et des brûlures. Le capot/couvercle/couvercle **DOIT** être ouvert lorsque l'appareil est en cours d'utilisation.

COMMENT UTILISER VOTRE PLAQUE CHAUFFANTE

Votre plaque de cuisson Omnivore Blackout a été pré-assaisonnée avec de l'huile de qualité alimentaire pour votre commodité.

AVANT LA PREMIÈRE UTILISATION :

ÉTAPE 01 Nettoyez la surface de cuisson à l'eau et laissez-la sécher complètement pour éliminer tout matériau d'emballage, poussière ou débris.

ÉTAPE 02 Huilez la surface de votre plaque de cuisson et commencez à cuisiner immédiatement.

Remarque : Les aliments peuvent adhérer au début. Le culottage et les propriétés antiadhésives de votre plaque de cuisson s'amélioreront avec le temps.

ASSAISONNEMENT SUPPLÉMENTAIRE (FACULTATIF) :

Pour ajouter des couches d'assaisonnement supplémentaires à votre plaque de cuisson :

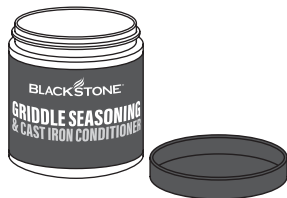
ÉTAPE 01 Réglez tous les brûleurs à puissance maximale et attendez 10 minutes.

ÉTAPE 02 Utilisez des pinces pour tenir une serviette en papier ou un chiffon en coton et étalez une fine couche (29,6 à 44,4 ml / 2 à 3 cuillères à soupe) d'huile d'assaisonnement sur toute la surface de cuisson.

ÉTAPE 03 Lorsque l'huile cesse de fumer, répétez **L'ÉTAPE 02** 3 à 4 fois.

QUELLE HUILE EST PRÉFÉRABLE D'UTILISER?

- Blackstone Seasoning and Cast Iron Conditioner.
- Toute huile de cuisson à base de plantes.
- Graisse animale fondue sans additifs.



⚠ ATTENTION

Jetez correctement les chiffons/serviettes utilisés pour répandre l'huile sur votre plaque chauffante afin d'éviter les incendies qui pourraient survenir en raison d'une combustion spontanée.

Dans de bonnes conditions, l'huile résiduelle sur les chiffons ou les serviettes peut s'oxyder longtemps après avoir été retirée d'une source de chaleur. Le processus d'oxydation lui-même produit de la chaleur qui, si elle n'est pas dissipée, peut s'accumuler et provoquer l'inflammation des chiffons/serviettes et des matériaux environnants.

⚠ ATTENTION

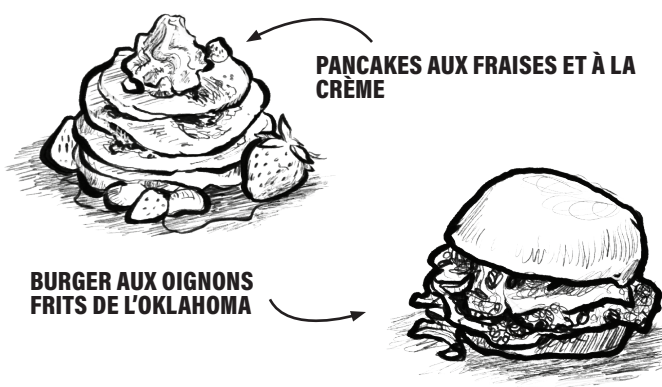
Cet appareil sera chaud pendant et après son utilisation. Utilisez des ustensiles à long manche et des gants de cuisine/de protection lorsque vous manipulez des pièces potentiellement chaudes pour vous protéger contre les brûlures et les éclaboussures.

RECETTES ET CONSEILS DE CUISINE

🌐 BlackstoneProducts.com/recipes

📺 youtube.com/BlackstoneGriddles

📱 [@blackstoneproducts](https://www.instagram.com/blackstoneproducts)



PANCAKES AUX FRAISES ET À LA CRÈME

BURGER AUX OIGNONS FRITS DE L'OKLAHOMA

AVIS

Ne rangez aucun objet à moins de (76 cm / 3 po) du dessus de la plaque chauffante pendant son utilisation.



NETTOYER VOTRE PLAQUE CHAUFFANTE

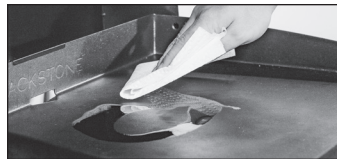
Nettoyez le dessus de la plaque chauffante après chaque utilisation, pendant qu'il est encore chaud.

Remarque : N'UTILISEZ PAS de savon sur le dessus de la plaque chauffante. Cela détruira l'assaisonnement de la plaque chauffante.

ÉTAPE 01 Appliquez quelques millilitres/cuillères à soupe d'eau sur la surface de la plaque chauffante, puis grattez l'eau et les débris dans le bac à graisse.



ÉTAPE 02 Laissez refroidir avant d'appliquer une fine couche d'huile de cuisson pour conserver l'assaisonnement et protéger la plaque.



VIDEZ VOTRE GODET À GRAISSE

Le bac à graisse doit être retiré et vidé après chaque utilisation.

Remarque : Assurez-vous que votre plaque de cuisson est posée sur un sol plat afin de permettre à la graisse et à l'eau de s'écouler vers la fente arrière.

⚠ ATTENTION

Le bac à graisse sera chaud pendant et après l'utilisation. Ne retirez pas le bac à graisse tant que la plaque chauffante n'est pas complètement refroidie.

PRÉVENTION DE LA ROUILLE

- N'exposez pas la plaque de cuisson à l'eau entre deux utilisations. Séchez-la toujours immédiatement.
- Utilisez votre plaque fréquemment. À chaque cuisson, vous ajoutez du culottage, ce qui réduit le risque de rouille et améliore les propriétés antiadhésives de la plaque.

Remarque : Si vous vivez dans un climat humide ou côtier, votre plancha peut nécessiter des assaisonnements plus fréquents entre les utilisations.



En cas d'apparition de rouille : frottez-la avec de la laine d'acier, du papier de verre fin ou une pierre ponce, puis poncez à nouveau la surface affectée.

⚠ AVERTISSEMENT

L'accumulation de graisse peut provoquer un incendie. Nettoyez toute partie de l'appareil qui devient chaude et qui subit une accumulation de graisse après chaque utilisation.

⚠ ATTENTION

Tout le nettoyage et l'entretien doivent être effectués lorsque l'appareil est froid et que tout est éteint.

AVIS

N'UTILISEZ PAS de Citrisol, de nettoyeurs abrasifs ou de nettoyeur concentré sur l'appareil. Cela peut entraîner des dommages et une défaillance des pièces.

- N'UTILISEZ PAS de tampon abrasif sur les zones comportant des graphiques.
- Si une brosse à poils est utilisée pour nettoyer l'une des surfaces de cuisson, assurez-vous qu'aucun poil lâche ne reste sur les surfaces de cuisson avant la cuisson.
- Lavez le corps de l'appareil à l'eau chaude savonneuse et essuyez-le immédiatement avec un chiffon non abrasif. (Ne laissez pas les produits nettoyeurs agir trop longtemps sur une surface poreuse.)

STOCKAGE ET ENTRETIEN PÉRIODIQUE

⚠ AVERTISSEMENT

Ne déplacez pas l'appareil pendant son utilisation. Laissez l'appareil refroidir à (45°C / 115°F) avant de le déplacer ou de le ranger.

Vérifiez et resserrez toute visserie desserrée, en particulier avant et après le transport ou le déplacement de l'appareil.



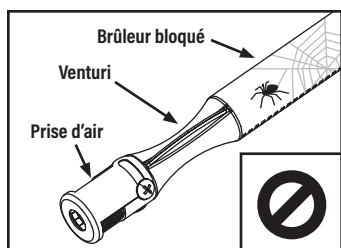
Couvrez votre appareil lorsque vous le rangez à l'extérieur. Ne le rangez pas dans un endroit où l'eau risque de s'accumuler.



NETTOYAGE DE L'ENSEMBLE BRÛLEUR

Les araignées et les insectes peuvent nicher à l'intérieur et obstruer le brûleur/tube venturi au niveau de l'orifice.

Pour réduire le risque de retour de flamme, la procédure ci-dessous doit être suivie au moins une fois par mois lorsque les araignées sont les plus actives ou lorsque votre appareil n'a pas été utilisé pendant une période de temps.



⚠ AVERTISSEMENT

Un brûleur obstrué peut provoquer un incendie sous l'appareil.

Le brûleur doit être retiré et nettoyé chaque fois que des blocages sont détectés.

ÉTAPE 01 Assurez-vous que le gaz est coupé au niveau des boutons de commande et de l'alimentation en gaz.

- Retirez le dessus de la plaque chauffante (tenez-le par les côtés).
- Détachez le brûleur.

ÉTAPE 02 Soulevez délicatement le brûleur et éloignez-le de l'orifice de la vanne de gaz.

ÉTAPE 03 Nettoyez l'intérieur du brûleur :

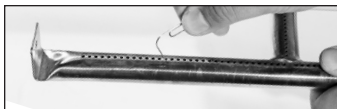
- Passez plusieurs fois une brosse à bouteille étroite dans le brûleur. (NE PAS utiliser de brosses métalliques)
- Utilisez de l'air comprimé pour souffler le brûleur. (Porter des lunettes de protection)



ÉTAPE 04 Brossez toute la surface extérieure du brûleur pour enlever la saleté.

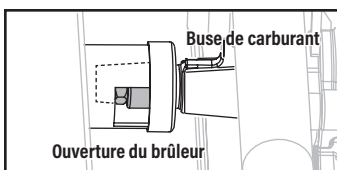


ÉTAPE 05 Nettoyez tous les ports bloqués avec un fil rigide tel qu'un trombone ouvert.



ÉTAPE 06 Remplacez soigneusement les brûleurs et rattachés-les, en faisant attention à l'emplacement de l'aiguille d'allumage.

⚠ La buse de carburant de la rampe de gaz doit être réengagée dans l'ouverture du brûleur.





DÉPANNAGE

LE BRÛLEUR NE S'ALLUME PAS

Si l'allumage ne se produit pas dans les 5 secondes :

ÉTAPE 01 Éteignez l'appareil.

ÉTAPE 02 Attendez 5 minutes.

ÉTAPE 03 Répétez la procédure d'allumage.

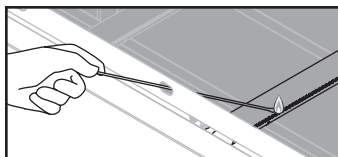
Si cela ne fonctionne pas, essayez d'allumer votre appareil avec une allumette pour déterminer la cause.

INSTRUCTIONS D'ALLUMAGE AVEC UNE ALLUMETTE

Avant de commencer, vérifiez s'il y a des fuites de gaz. Ouvrez le capot (le cas échéant).

ÉTAPE 01 Mettez les commandes sur OFF.

ÉTAPE 02 Allumez une allumette (ou un briquet long) d'une longueur maximale de (27,9 cm / 11 po).



ÉTAPE 03 Placez la flamme à côté du brûleur.

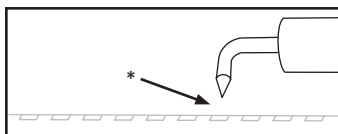
ÉTAPE 04 Tournez la commande du brûleur sur BAS. Assurez-vous que le brûleur s'allume et reste allumé.

SI UNE ALLUMETTE NE PEUT PAS ALLUMER VOTRE APPAREIL :

CAUSES POSSIBLES	SOLUTION
Le gaz n'atteint pas les brûleurs.	Consultez la section « Le gaz n'atteint pas les brûleurs ».

SI UNE ALLUMETTE PEUT ALLUMER VOTRE APPAREIL :

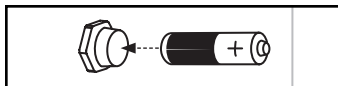
CAUSES POSSIBLES	SOLUTION
Le fil d'allumage est mal aligné.	Assurez-vous que l'aiguille de l'allumeur est positionnée à *(3~7 mm / 1/8~1/4 po) du brûleur et alignée avec les trous du brûleur.



Domage au système d'allumage. Contactez le service client pour obtenir des pièces de rechange.

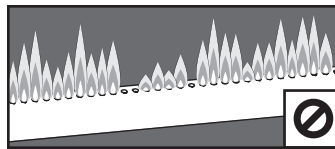
Batterie morte / mal installée. Remplacez par une nouvelle batterie.

Pour le recyclage et l'élimination des piles afin de protéger l'environnement, veuillez consulter Internet ou votre annuaire téléphonique local pour connaître les centres de recyclage locaux et/ou suivre les réglementations gouvernementales locales.



- Assurez-vous que la batterie est installée correctement en ce qui concerne la polarité (+ et -).
- Retirez les piles des équipements qui ne doivent pas être utilisés pendant une période prolongée.
- Retirez rapidement les piles usagées.

LE GAZ N'ATTEINT PAS LES BRÛLEURS LES FLAMMES SONT JAUNES OU IRRÉGULIÈRES



- Les flammes du brûleur sont irrégulières.
- La hauteur de la flamme diminue lorsqu'un deuxième brûleur est allumé.
- L'appareil n'atteint pas une chaleur élevée ou chauffe de manière inégale.

CAUSES POSSIBLES

La bouteille de gaz est vide ou faible. (Non applicable s'il est connecté au gaz naturel)

Le dispositif de limitation de débit du régulateur a été déclenché. (Non applicable pour les appareils qui n'ont pas de régulateur fixé en permanence)

SOLUTION

Remplissez ou remplacez la bouteille de gaz.

Réinitialisez le système de sécurité :

ÉTAPE 01 Éteignez l'appareil, fermez le robinet de la bouteille de gaz et débranchez le régulateur de la bouteille de gaz.

ÉTAPE 02 Attendez cinq minutes pour permettre à la pression de se dissiper, puis reconnectez le régulateur à la bouteille de gaz et ouvrez lentement le volant de la bouteille de gaz d'un à trois tours.

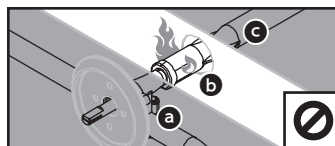
ÉTAPE 03 Allumez votre appareil.

Si cela ne fonctionne pas, le régulateur est peut-être bloqué en position de sécurité. Contactez le service client pour obtenir des pièces de rechange.

Obstructions dans le brûleur.

Nettoyez l'ensemble du brûleur pour éliminer l'obstruction.

FLAMME DANS UN ENDROIT INATTENDU



- a Rampe de gaz et vannes.
- b Porte d'air/admission.
- c Brûleur.

CAUSES POSSIBLES

Quelque chose bloque le venturi dans le brûleur.

SOLUTION

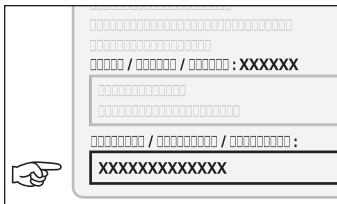
Contactez le service client pour éviter d'endommager l'appareil.

SERVICE CLIENT

EMPLACEMENT DU NUMÉRO DE SÉRIE

Pour activer votre garantie, vous devrez fournir le numéro de série de votre appareil.

Le numéro de série se trouve sur l'étiquette du fabricant/le grand autocollant argenté sur votre appareil.



MANUEL D'UTILISATION NUMÉRIQUE

Ce manuel est disponible sur le site web de votre revendeur ou en contactant le service client.

CONTACTEZ-NOUS

- Pour toute question, demande de renseignements et assistance client.
- Pour enregistrer votre produit et activer votre garantie.
- Avant de retourner cet appareil à votre revendeur.
- Pour connaître les horaires et les langues parlées.

ÉTATS-UNIS

Site web : BlackstoneProducts.com/support

CANADA

Site web : BlackstoneGriddles.ca



GARANTIE UN AN

North Atlantic Imports, LLC garantit ce produit contre les défauts de matériaux et de fabrication pendant une période d'un (1) an à compter de la date d'achat originale dans des conditions normales d'utilisation. Dans la mesure où de tels défauts se produisent, North Atlantic Imports, LLC, à sa discrétion, fournira gratuitement la ou les pièces de remplacement appropriées.

En aucun cas North Atlantic Imports, LLC ne sera responsable des dommages consécutifs, indirects ou accessoires résultant de l'installation, de l'utilisation ou de la défaillance du produit.

Cette garantie NE couvre PAS :

- Frais d'inspection ou de main d'œuvre pour le remplacement de toute pièce défectueuse ;
- Défauts cosmétiques qui n'affectent pas les performances ou l'intégrité du produit ;
- L'usure normale ;
- Dommages dus au vandalisme ; les catastrophes naturelles, y compris, mais sans s'y limiter, le vent, les tempêtes, la grêle et les inondations ;
- Un assemblage, une installation ou une utilisation inappropriés ;
- Décoloration ou décoloration de la finition résultant d'une exposition à des produits chimiques, à des déversements, à l'eau de piscine ou à l'eau salée ;
- Corrosion/rouille.

Ce produit a été conçu pour la sécurité et la qualité. Toute modification apportée au produit d'origine pourrait compromettre son intégrité structurelle ou sa fonction et entraîner une défaillance du produit ou des blessures. En tant que tel, la modification de ce produit annule toutes les garanties.

Ce produit est destiné à un USAGE RÉSIDENTIEL UNIQUEMENT et n'est pas destiné à des fins commerciales, contractuelles ou autres fins non résidentielles. North Atlantic Imports, LLC décline toute autre représentation et garantie de quelque nature que ce soit, expresse ou implicite.

La garantie s'applique à l'acheteur d'origine et n'est pas transférable. Elle ne s'applique pas aux accessoires ou pièces non fournis avec le produit, aux achats de modèles d'exposition ou aux produits vendus en liquidation ou « tels quels ». Vous pouvez cependant bénéficier d'autres droits légaux spécifiques basés sur les lois de votre état ou pays de résidence.

North Atlantic Imports, LLC se réserve le droit de changer ou de modifier cette garantie à tout moment.

Ce produit peut être couvert par un ou plusieurs brevets américains et/ou internationaux délivrés et peut inclure des demandes de brevet en instance.

Pour plus d'informations, rendez-vous sur : BlackstoneProducts.com/patents
Blackstone est une marque déposée de North Atlantic Imports, LLC

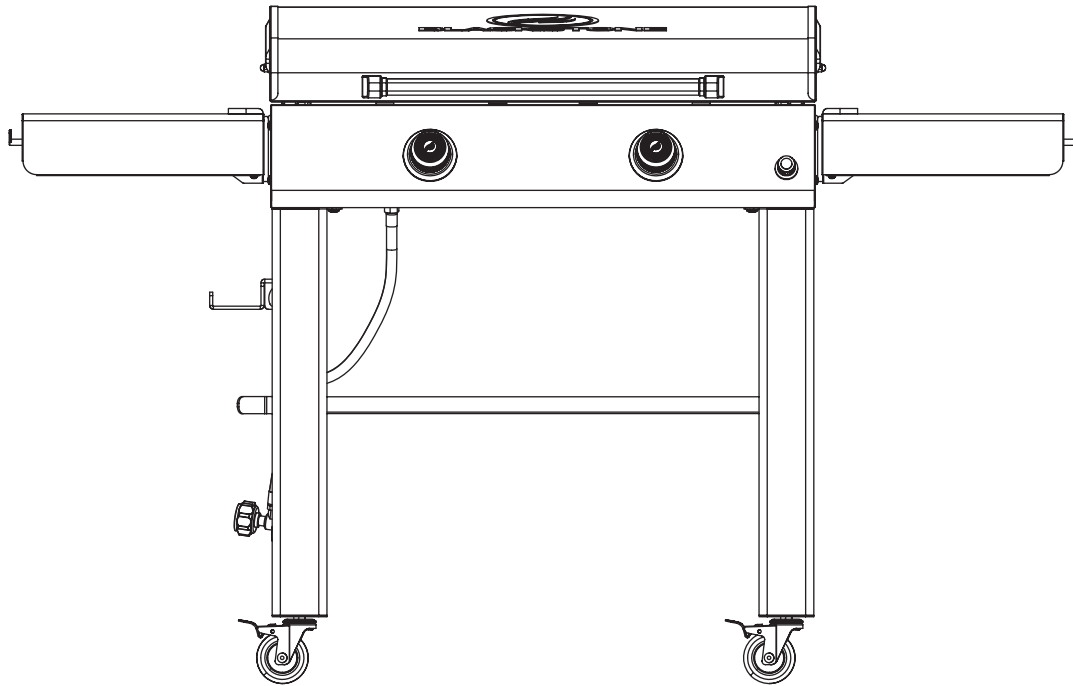
©2025 North Atlantic Imports. Tous droits réservés.

Distribué par North Atlantic Imports, LLC 1073 W 1700 N Logan, UT 84321 USA



Cette page a été intentionnellement laissée vierge





MANUAL DEL PROPIETARIO

PLANCHA DE 30"

CON CAMPANA Y ESTANTES A LA ALTURA DEL MOSTRADOR

TABLA DE CONTENIDO

INFORMACION DE SEGURIDAD IMPORTANTE	02
GUÍA DE MONTAJE.....	04
INSTRUCCIONES DE OPERACIÓN	11
SOLUCIÓN DE PROBLEMAS.....	17
ATENCIÓN AL CLIENTE.....	18



Última versión del manual:
BlackstoneProducts.com/support

IMPORTANTE:

Este manual de instrucciones contiene información importante necesaria para el correcto montaje y uso seguro del aparato.

Lea y siga todas las advertencias e instrucciones antes de ensamblar y usar el aparato.

Siga todas las advertencias e instrucciones cuando utilice el aparato.

Guarde este manual para referencia futura.

Instalador/Ensamblador: Deje estas instrucciones con el consumidor.

CLAVE DE ALERTA DE SEGURIDAD

⚠ PELIGRO

Indica una situación peligrosa que, si NO SE evita, provocará la muerte o lesiones graves.

⚠ ATENCIÓN

Indica una situación peligrosa que, si NO SE evita, podría provocar lesiones leves o moderadas.

⚠ ADVERTENCIA

Indica una situación peligrosa que, si NO SE evita, podría provocar la muerte o lesiones graves.

AVISO

Indica información que se considera importante, pero no relacionada con peligros (por ejemplo, mensajes relacionados con daños a la propiedad).

INFORMACION DE SEGURIDAD IMPORTANTE

SEGURIDAD DE LOS APARATOS DE GAS

⚠ PELIGRO

Si huele a gas:

- Cierre el suministro de gas al aparato.
- Apague cualquier llama abierta.
- Abra el capó (si corresponde).
- Si el olor continúa, manténgase alejado del aparato y llame inmediatamente a su proveedor de gas o al departamento de bomberos.

El incumplimiento de estas instrucciones podría provocar incendios o daños a la propiedad, lesiones personales o la muerte.

⚠ ADVERTENCIA

Un cilindro de GLP que no esté conectado para su uso no debe almacenarse cerca de este ni de ningún otro aparato.

Los cilindros de GLP NO SE deben almacenar en ningún compartimento del aparato que no esté destinado a este fin. El almacenamiento no autorizado podría provocar una explosión, un incendio o lesiones personales.

LA INSTALACIÓN DEBE CUMPLIR CON LOS CÓDIGOS LOCALES.

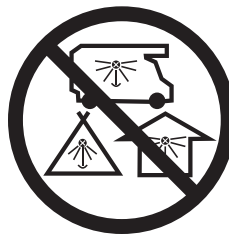
En ausencia de códigos locales, la instalación debe cumplir con ANSI Z223.1/NFPA 54, CSA B149.1 o CSA B149.2.

⚠ PELIGRO

- **NUNCA opere este aparato sin supervisión.**
- **Si ocurriera un incendio, manténgase alejado del aparato y llame inmediatamente a los bomberos. NO INTENTE extinguir un incendio de aceite o grasa con agua.**

El incumplimiento de estas instrucciones podría provocar incendios o daños a la propiedad, lesiones personales o la muerte.

⚠ PELIGRO



PELIGRO DE MONÓXIDO DE CARBONO

Este aparato puede producir monóxido de carbono, que es venenoso y no tiene olor.

Usarlo en un espacio cerrado puede matarte.

NUNCA utilice este aparato en un espacio cerrado como una caravana, una tienda de campaña, un automóvil o una casa.

⚠ PELIGRO

PARA TU SEGURIDAD

No almacene ni use gasolina u otros líquidos o vapores inflamables cerca de este o cualquier otro aparato.

Los artículos inflamables pueden arder si se colocan cerca del aparato.

Mantenga el área del electrodoméstico despejada y libre de materiales combustibles, envases de aerosol, gasolina y otros vapores y líquidos inflamables.

⚠ ADVERTENCIA

La instalación, uso, ajuste, alteración, servicio, modificación o mantenimiento inadecuados pueden causar daños a la propiedad, lesiones graves o la muerte. Lea atentamente las instrucciones de instalación, funcionamiento y mantenimiento (consulte este manual) antes de instalar o realizar mantenimiento a este equipo.

- El uso de alcohol, medicamentos recetados o de venta libre puede afectar la capacidad del consumidor para ensamblar correctamente u operar de manera segura el electrodoméstico.
- Mantenga a los niños y las mascotas alejados del aparato en todo momento.
- Tenga a mano un extintor de incendios tipo BC o ABC.
- NO LO USE para fines distintos a los previstos.
- NO UTILICE este aparato como calentador.
- Sólo para uso doméstico en exteriores, no para uso comercial.



CONFIGURACIÓN DE SU ESPACIO AL AIRE LIBRE

ESTE APARATO SÓLO DEBE UTILIZARSE AL AIRE LIBRE SOBRE UNA SUPERFICIE NIVELADA.

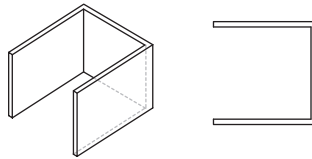
- NO USE este aparato dentro de edificios, garajes o cualquier otra área cerrada.
- NO INSTALE este aparato dentro o sobre un barco.
- NO INSTALE este aparato dentro o sobre un vehículo recreativo.

ÁREAS AL AIRE LIBRE PROTEGIDAS:

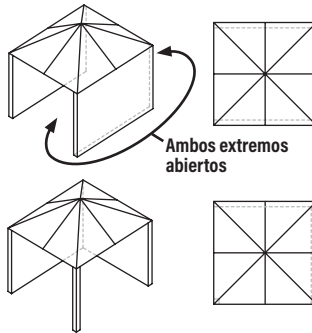
Todas las aberturas deben estar permanentemente abiertas; Las puertas correizas, las puertas de garaje, las ventanas o las aberturas con mosquitero NO SE consideran aberturas permanentes.

Se considera que un electrodoméstico está al aire libre si se instala con una protección que no exceda de:

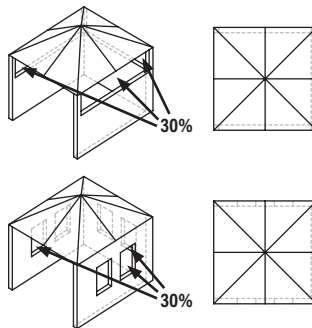
- a. Con paredes en tres lados, pero sin cubierta superior.



- b. Dentro de un recinto parcial que incluye una cubierta superior y no más de dos paredes laterales. Las paredes laterales pueden ser paralelas, como en un corredor, o en ángulo recto entre sí.



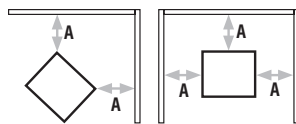
- c. Dentro de un recinto parcial que incluye una cubierta superior y tres paredes laterales, siempre que el 30% o más de la periferia horizontal del recinto esté permanentemente abierta.



La temperatura ambiente mínima de funcionamiento es (-18°C / 0°F).

ANTENGA LAS DISTANCIAS ADECUADAS DEL MATERIAL COMBUSTIBLE:

- NO USE este electrodoméstico sobre o debajo de ningún apartamento o balcón o terraza de condominio.
- No obstruya el flujo de aire de combustión y ventilación.



NO OPERE este aparato a menos de (91 cm / 3 pi) desde los lados y la parte trasera del aparato hasta una construcción combustible.

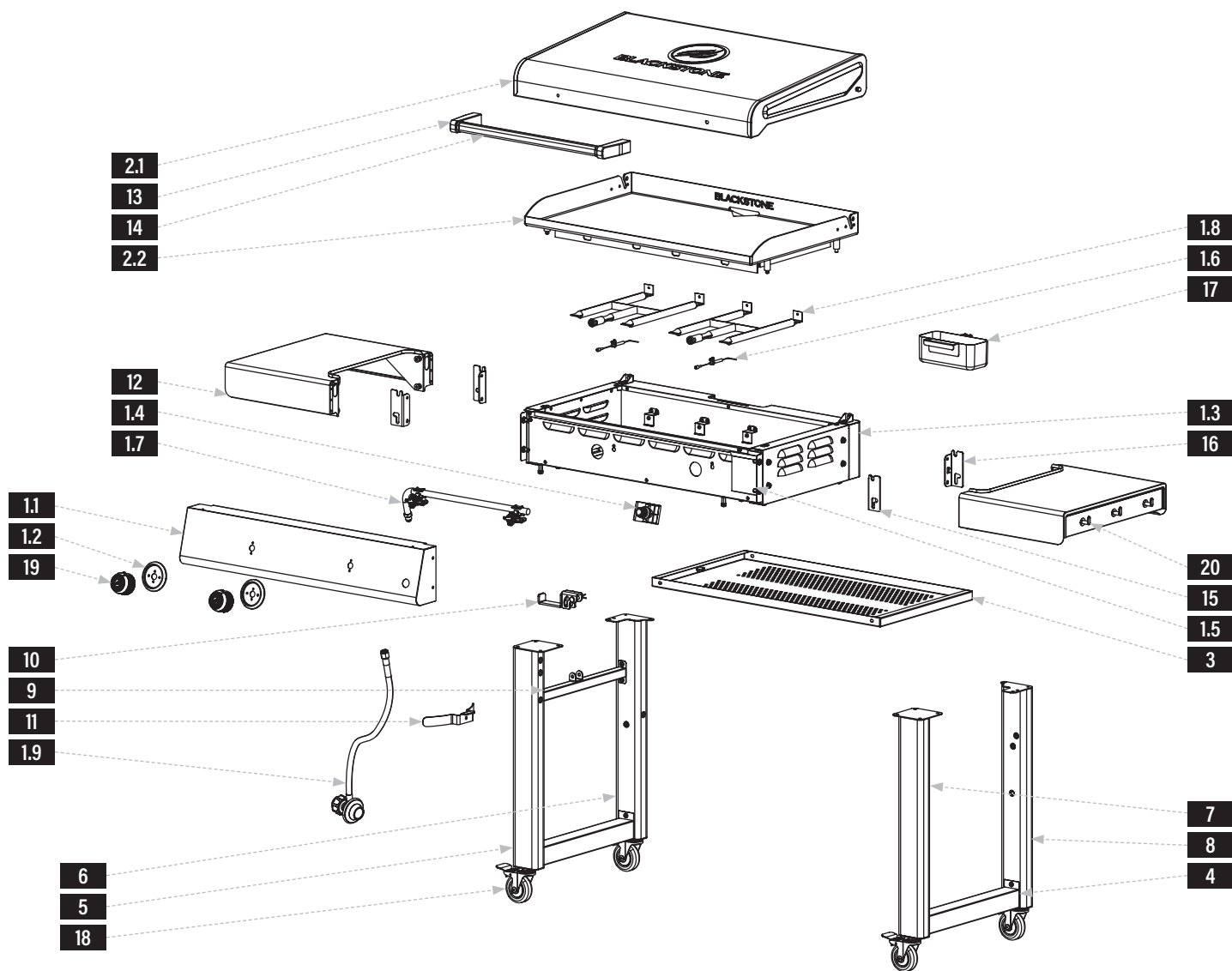
A = (91 cm / 3 pi)

- NO UTILICE este aparato bajo construcciones combustibles elevadas.



GUÍA DE MONTAJE

VISTA EN DESPIECE ORDENADO



LISTA DE PARTES

PIEZAS	CTD	PIEZAS	CTD	PIEZAS	CTD	PIEZAS	CTD
1.1 Panel de control	1	1.4 Encendedor eléctrico	1	1.7 Riel de gas	1	2.1 Capucha	1
1.2 Biseles de las perillas de control	2	1.5 Escudo térmico de encendido	1	1.8 Quemadores H	2	2.2 Parte superior de la plancha	1
1.3 Caja de quemadores	1	1.6 Agujas de encendido	2	1.9 Manguera reguladora	1		



1 Cuerpo de plancha (1 pieza) 		2 Plancha superior y campana (1 pieza) 		3 Estante estabilizador (1 pieza) 	
4 Travesaños (2 piezas) 		5 Pata delantera izquierda (1 pieza) 	6 Pata trasera izquierda (1 pieza) 	7 Pata delantera derecha (1 pieza) 	8 Pata trasera derecha (1 pieza)
9 Barra de GLP (1 pieza) 	10 Gancho GLP (1 pieza) 	11 Soporte GLP (1 pieza) 	12 Estantes laterales (2 piezas) 	13 Separadores de manijas (2 piezas) 	14 Asa de capota (1 pieza)
15 Soporte de estante lateral (L) (2 piezas) 	16 Soporte de estante lateral (R) (2 piezas) 	17 Copa de grasa (1 pieza) 	18 Ruedas giratorias (4 piezas) 	19 Perillas de control (2 piezas) 	20 Ganchos para estantes laterales (6 piezas)

21 Paquete de hardware (1 pieza)

- a. Tornillos M6x12 (35 piezas)
- b. Tornillos M6x16 (2 piezas)
- c. Pernos de hombro M6 de cabeza plana (8 piezas)
- d. Pasador de chaveta (1 pieza)
- e. Pasador de seguridad (1 pieza)

ESPAÑOL

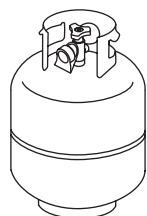


INSTRUCCIONES DE MONTAJE

⚠ ATENCIÓN

Bordes afilados y posibles puntos de atrapamiento al desembalar. Use guantes durante el montaje.

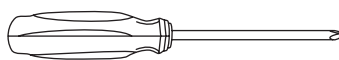
- Encuentre un área grande y limpia para ensamblar su electrodoméstico.
- Retire todo el material de embalaje antes de ensamblar. (Es posible que tenga hardware adicional o de repuesto después del ensamblaje.)



NECESARIO PARA EL USO (NO INCLUIDO):
Cilindro de GLP de (9,1 kg / 20 lb)



NECESARIO PARA EL USO (NO INCLUIDO):
Una (1) batería AA de 1,5 V (para encendido)



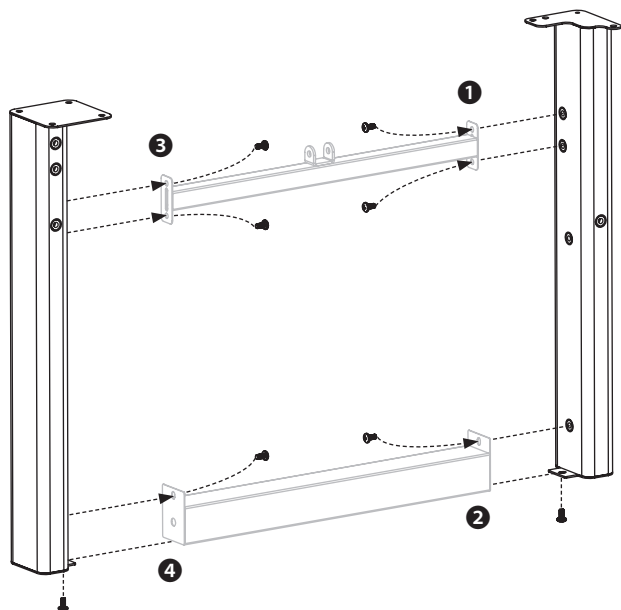
NECESARIO PARA EL MONTAJE (NO INCLUIDO):
Destornillador de cabeza Phillips n.º 3

⚠ ATENCIÓN

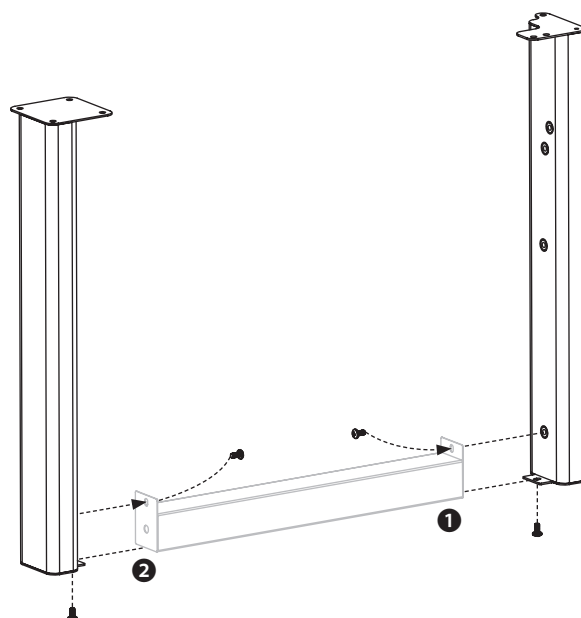
Piezas pesadas. Dos personas deben armar este aparato.

- Enrosque sin apretar todos los tornillos/pernos en cada escalón antes de apretarlos por completo.

- PASO 01**
- 1 Use dos (2) tornillos M6x12 [a.] para sujetar la pata trasera izquierda a la barra LPG.
 - 2 Use dos (2) tornillos M6x12 [a.] para fijar la pata trasera izquierda a una (1) barra transversal.
 - 3 Use dos (2) tornillos M6x12 [a.] para sujetar la pata delantera izquierda a la barra LPG.
 - 4 Utilice dos (2) tornillos M6x12 [a.] para sujetar la pata delantera izquierda al travesaño.

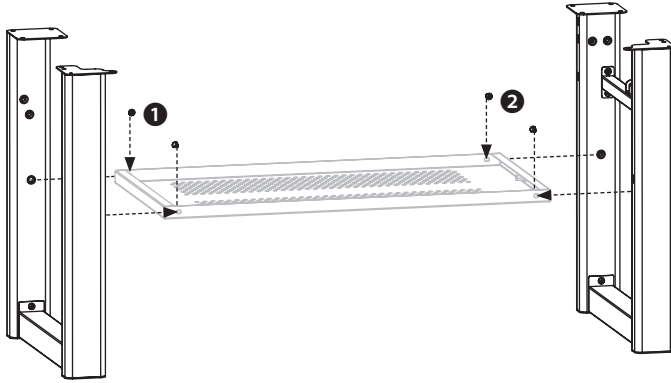


- PASO 02**
- 1 Utilice dos (2) tornillos M6x12 [a.] para fijar la pata trasera derecha a una (1) barra transversal.
 - 2 Utilice dos (2) tornillos M6x12 [a.] para fijar la pata delantera derecha al travesaño.

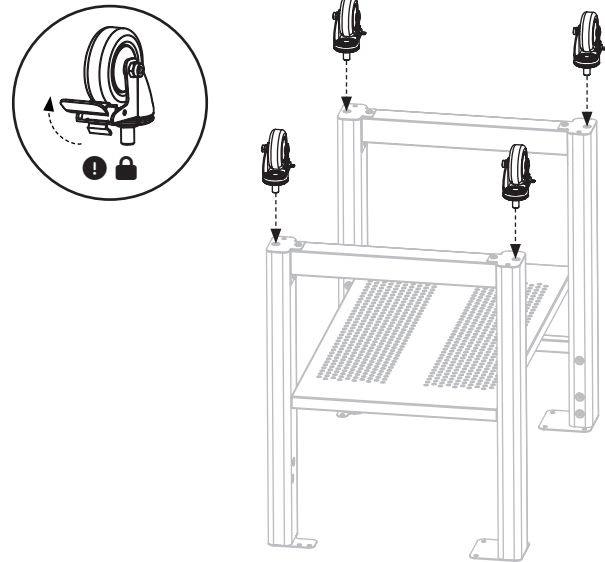




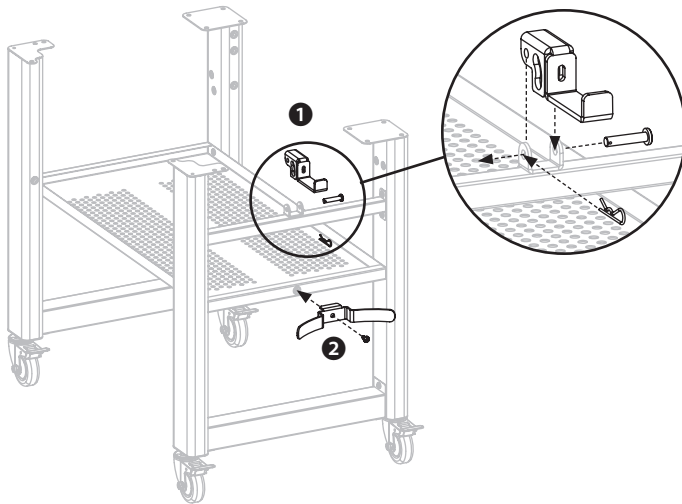
- PASO 03** ① Utilice dos (2) tornillos M6x12 [a.] para fijar el conjunto de la pata derecha al estante estabilizador.
 ② Utilice dos (2) tornillos M6x12 [a.] para fijar el conjunto de la pata izquierda al estante estabilizador.



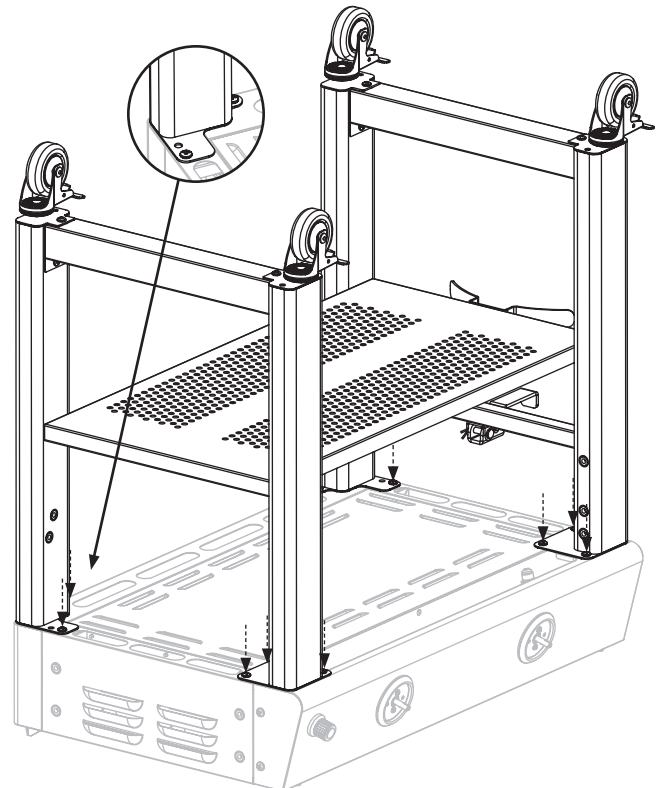
- PASO 04** Voltee el conjunto de patas boca abajo. Atornille las cuatro (4) ruedas giratorias en las patas. (Asegúrese de que las ruedas estén bloqueadas.)



- PASO 05** ① Utilice un (1) pasador de seguridad [e.] para sujetar el gancho LPG a la barra LPG. Use una (1) chaveta [d.] para asegurar.
 ② Use un (1) tornillo M6x12 [a.] para fijar el soporte de GLP al estante estabilizador.



- PASO 06** Coloque el cuerpo de la plancha boca abajo. Con la ayuda de otra persona, coloque el ensamblaje de las patas en el cuerpo de la plancha. Utilice diez (10) tornillos M6x12 [a.] para sujetar el cuerpo de la parrilla a las patas. (Use tres (3) tornillos para cada pata delantera y dos (2) tornillos para cada pata trasera.)

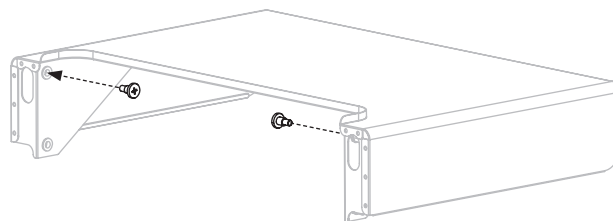
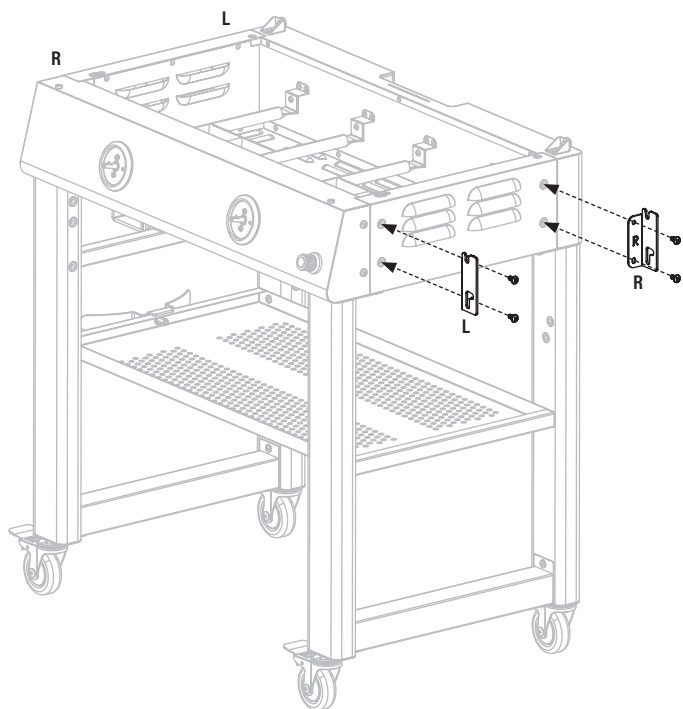


PASO 07 Use cuatro (4) tornillos M6x12 [a.] para fijar un (1) soporte de estante lateral (L) y un (1) soporte de estante lateral (R) al lado derecho del cuerpo de la plancha.

Repita con el lado izquierdo del cuerpo de la plancha.

PASO 08 Atornille dos (2) pernos con reborde M6x12 de cabeza plana [c.] en los orificios superiores de un (1) estante lateral.

Repita con el otro estante lateral.



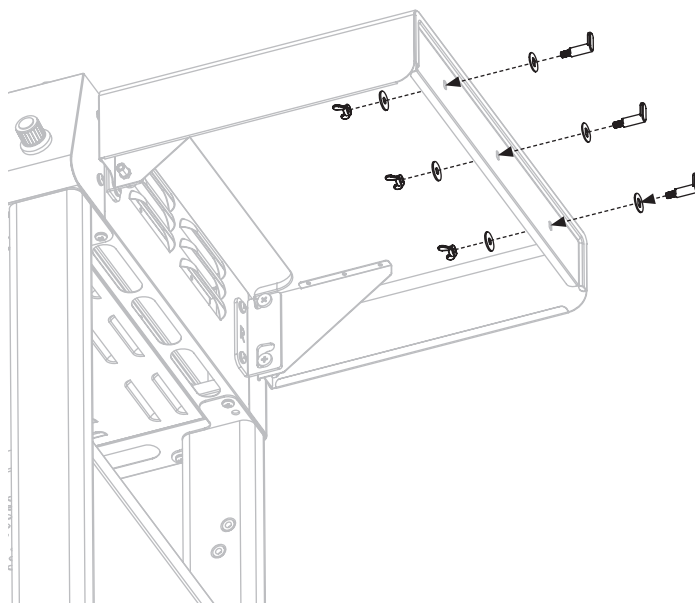
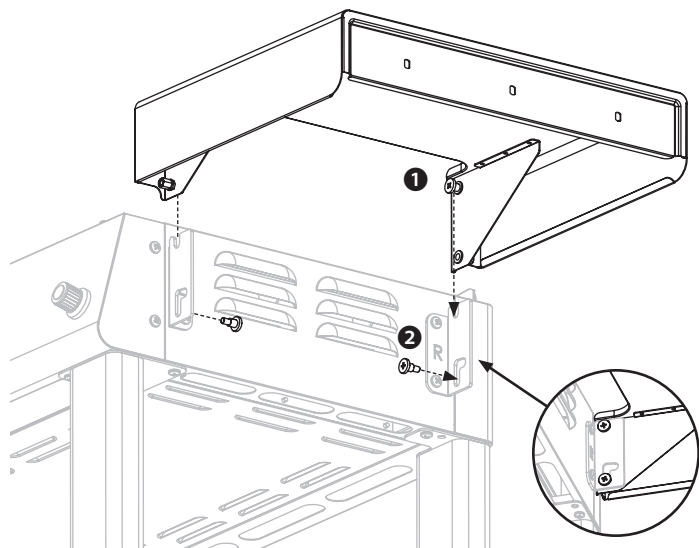
PASO 09 1 Deslice los pernos con reborde en un (1) estante lateral sobre los soportes del estante lateral en el lado derecho del cuerpo de la plancha.

2 Use dos (2) pernos con reborde M6x12 de cabeza plana [c.] para asegurar el estante a los soportes laterales del estante.

Repita con el lado izquierdo del cuerpo de la plancha.

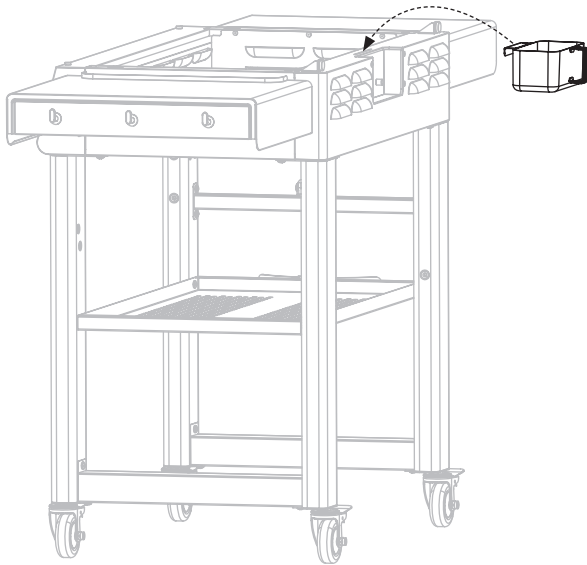
PASO 10 Utilice las tres (3) tuercas de mariposa y las tres arandelas preinstaladas en los ganchos del estante lateral para fijar tres (3) arandelas y tres (3) ganchos del estante lateral a un (1) estante lateral.

Repita con el otro estante lateral.

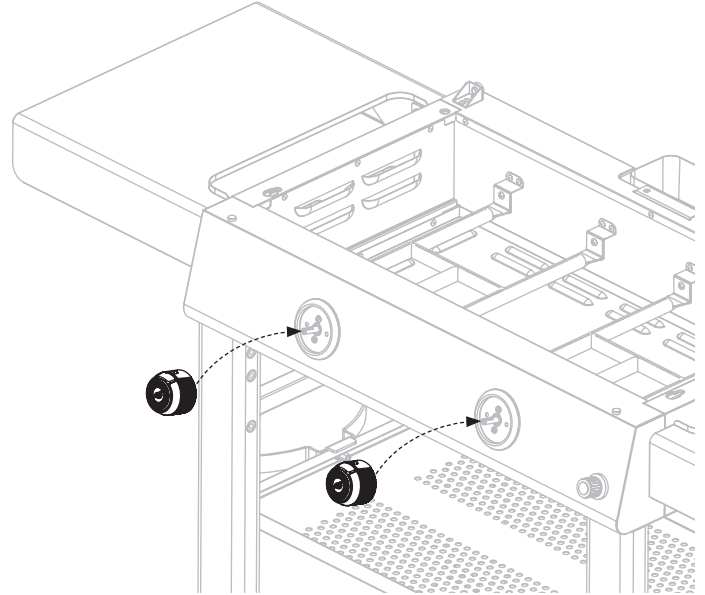




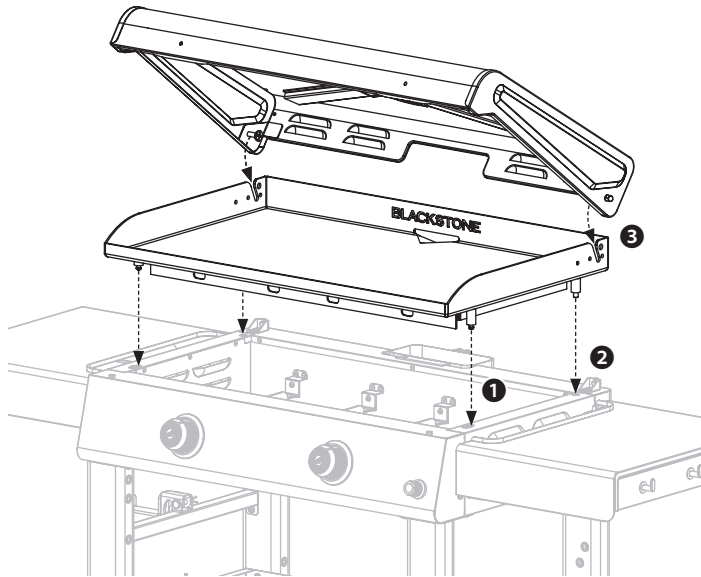
PASO 11 Cuelgue el recipiente para grasa en la ranura en la parte posterior del cuerpo de la plancha.



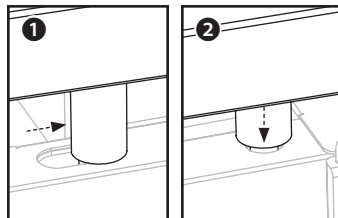
PASO 12 Instale las dos (2) perillas de control presionándolas sobre los vástagos de la válvula del riel de gas en la posición APAGADO.



PASO 13 Con la ayuda de otra persona, coloque la parte superior de la plancha sobre el cuerpo principal alineando los 4 pasadores con los orificios del cuerpo.

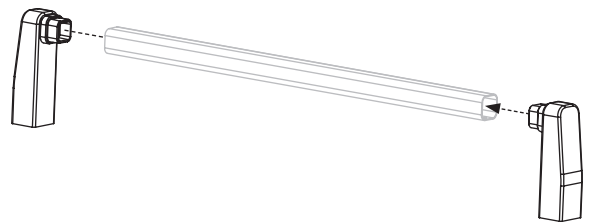


- ❶ Coloque los dos pasadores delanteros en los orificios de bloqueo delanteros y empuje la parte superior de la parrilla hacia atrás.
- ❷ Luego, coloque los dos pasadores traseros en los orificios traseros.

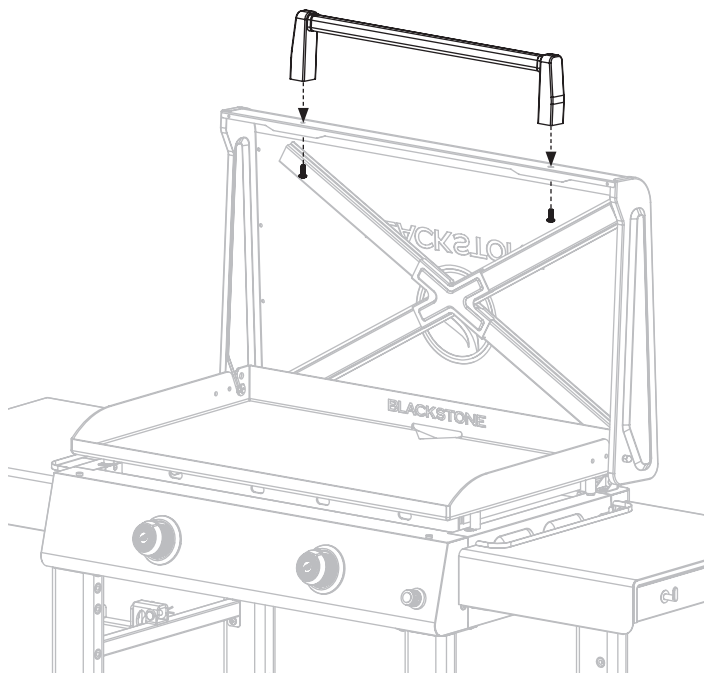


❸ Deslice los pernos escalonados de la campana en las ranuras superiores de la campana de la parrilla.

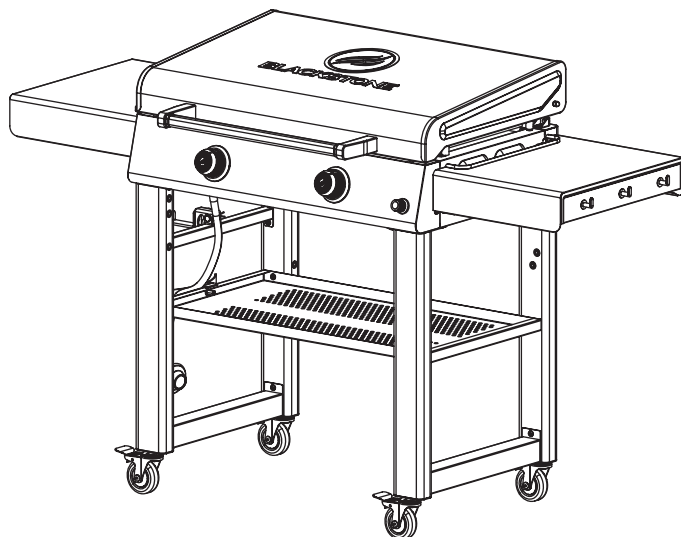
PASO 14 Deslice los dos (2) separadores de la manija en la manija de la campana.



PASO 15 Use los dos (2) tornillos M6x16 [b.] para sujetar la manija de la campana a la campana.



PASO 16 Proceda a las **INSTRUCCIONES DE OPERACIÓN**.

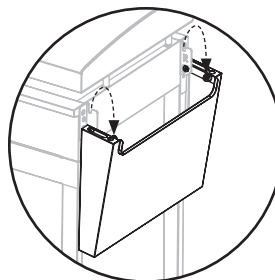


AVISO

No coloque artículos en el estante estabilizador durante el uso.

AVISO

- El peso máximo en el estante lateral es (4,5 kg / 10 lb).
- El estante lateral puede calentarse mientras el aparato está en uso.



Levante y pliegue el estante lateral para moverlo o guardarlo, según corresponda.
(El diseño del estante puede variar).

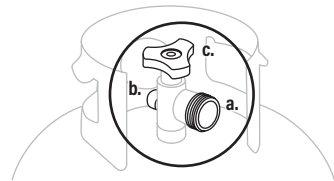


INSTRUCCIONES DE OPERACIÓN

EL SISTEMA GASISTA

REQUISITOS PARA LOS CILINDROS DE GLP

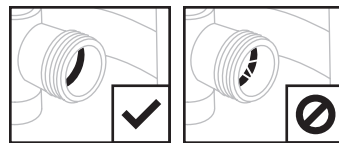
- El sistema de suministro de cilindros de GLP debe estar preparado para la extracción de vapores.
 - Mantenga siempre los cilindros nuevos de GLP en posición vertical durante su uso, transporte o almacenamiento.
 - Mantenga siempre las aberturas de ventilación del recinto del cilindro libres y libres de residuos.
- El cilindro de suministro de gas LP que se utilice debe estar construido y marcado de acuerdo con las Especificaciones para cilindros de gas LP del Departamento de Transporte de los EE. UU. (DOT) o CSA B339, según corresponda.
- Solo se deben utilizar cilindros de GLP marcados como "propano".
- El cilindro de GLP debe incluir un collar para proteger la válvula del cilindro de GLP.
- Utilice únicamente un cilindro de (9,1 kg / 20 lb). (45,72 x 30,48 cm / 18 x 12 in)



LA VÁLVULA DEL CILINDRO DE GLP DEBE TENER:

- Salida de válvula tipo 1 (rosca en el exterior).
- Valvula de seguridad.
- Dispositivo de protección contra sobrellenado (OPD) listado por UL. Esta característica de seguridad OPD se identifica por un volante triangular exclusivo.

Cambie el cilindro solo por un cilindro equipado con función de seguridad OPD.



VERIFIQUE EL SELLO ANTES DE USAR

El sello en la salida de la válvula podría, con el tiempo, presentar daños o deterioros marcados y visibles que podrían causar una fuga incluso con la conexión apretada.

- Se debe realizar una inspección visual del sello cada vez que se reemplaza o rellena un cilindro de GLP.
- Cualquier cilindro de GLP que muestre signos de daño o deterioro como los ilustrados, incluidas grietas y picaduras visibles, debe devolverse sin usar al vendedor.

ACCESORIOS Y MANGUERAS

Antes de conectar y usar el aparato, asegúrese de que no haya residuos atrapados ni daños en el cabezal del cilindro de gas, el regulador, la manguera, el quemador y los puertos del quemador. (Las mangueras o los reguladores desgastados o dañados deben reemplazarse por un modelo aprobado por Blackstone antes de usar el aparato).

- Se recomienda revisar y ajustar anualmente los accesorios de metal.
- Asegúrese de que la manguera no esté obstruida, doblada o en contacto con ninguna parte del aparato que no sea su conexión.

SEGURIDAD DEL REGULADOR

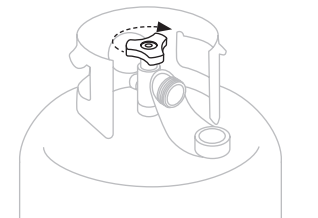
- Utilice este electrodoméstico, tal como lo compró, únicamente con el conjunto de gas y regulador/válvula suministrado. NO UTILICE accesorios de conexión rápida ni otros complementos distintos de los diseñados y autorizados para su uso por Blackstone.
- NO enrosque (fuerce en un ángulo inadecuado) la conexión entre su cilindro de GLP y el regulador.
- Si no puede conectar el regulador, no utilice el regulador.

El regulador debe ser reemplazado por un modelo aprobado por Blackstone por un distribuidor autorizado y con licencia profesional.

CONECTAR EL CILINDRO DE GLP

PASO 01 Gire las perillas de control a APAGADO.

Asegúrese de que el cilindro de GLP esté APAGADO girando el volante en el sentido de las agujas del reloj hasta detenerlo por completo.



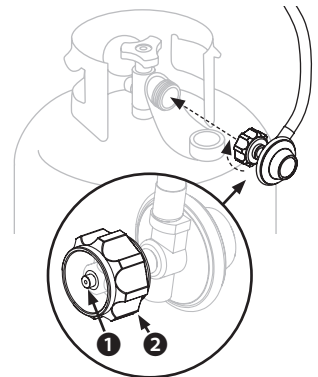
PASO 02 Mantenga el regulador en línea recta con la salida de la válvula para no cruzar la rosca de la conexión.

1 Centre e inserte la boquilla del regulador en la salida de la válvula.

2 Apriete manualmente la tuerca de acoplamiento en el sentido de las agujas del reloj.

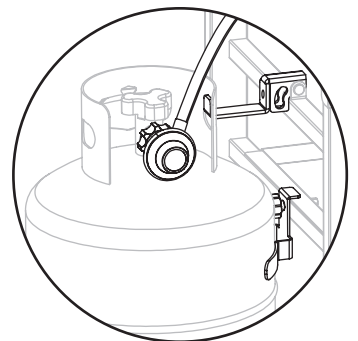
(NO UTILICE herramientas para conectarse).

Si NO SE puede completar la conexión, desconecte el regulador y repita este paso.



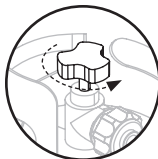
PASO 03 La válvula de alivio de seguridad debe mirar en dirección opuesta al usuario mientras el aparato está en uso.

Fije la bombona de GLP al aparato colgándola del gancho de GLP de forma que encaje contra el soporte de GLP.



CÓMO ABRIR EL GAS:

Gire el volante en sentido antihorario de 1 a 3 vueltas.



⚠ ADVERTENCIA

Un regulador helado indica un problema. Cierre inmediatamente la válvula del cilindro de GLP y llame al distribuidor local de GLP para obtener ayuda.

INSTRUCCIONES DE PRUEBA DE FUGAS

- Haga una prueba de fugas en los cilindros de GLP nuevos y reemplazados ANTES de conectarlos al electrodoméstico.
- No fume durante la prueba de fugas.
- NO UTILICE una llama abierta para comprobar si hay fugas de gas.
- El aparato debe someterse a una prueba de fugas al aire libre en un área bien ventilada, lejos de fuentes de ignición como aparatos eléctricos o de gas.
- Durante la prueba de fugas, mantenga el aparato alejado de llamas abiertas o chispas.

PASO 01 Cierre el suministro de gas en la válvula del cilindro de gas. Asegúrese de que los controles estén APAGADOS.

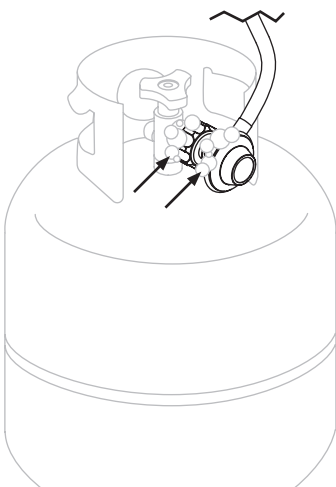
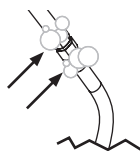
Conecte el regulador al cilindro de GLP y abra el gas.

Si escucha un sonido rápido, cierre el gas inmediatamente. Hay una fuga importante en la conexión.

PASO 02 Prepare una solución de detección de fugas ^{90%} mezclando (22,2 ml / 1.5 cucharada) de jabón de manos o de lavavajillas con (236,6 ml / 1 taza) de agua.

PASO 03 Utilice un pincel limpio para aplicar la solución sobre las áreas de unión de las válvulas y a lo largo de toda la manguera del regulador.

PASO 04 Si se detectan fugas (indicadas por el crecimiento de burbujas), cierre inmediatamente el gas y vuelva a apretar las conexiones.



⚠ ADVERTENCIA

Si NO SE pueden detener las fugas, NO INTENTE repararlas. El regulador debe ser reemplazado por un modelo aprobado por Blackstone por un distribuidor autorizado y con licencia profesional.

Si gotea grasa u otro material caliente sobre la válvula, manguera o regulador:

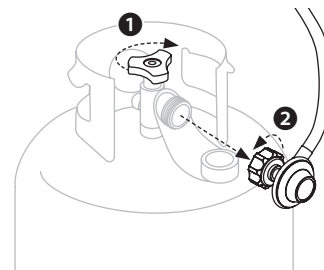
1. Cierre el suministro de gas inmediatamente.
2. Determine la causa y corríjala.
3. Limpie e inspeccione la válvula, la manguera y el regulador.
4. Realice una prueba de fugas.

DESCONECTE EL CILINDRO DE GLP

- Desconecte el cilindro de GLP antes de mover o almacenar el aparato.
- El almacenamiento del aparato en interiores solo está permitido si el cilindro de GLP está desconectado y retirado del aparato.

Asegúrese de que las perillas de control estén cerradas.

- 1 Asegúrese de que el cilindro de GLP esté cerrado girando la rueda manual en sentido horario hasta el tope.
- 2 Gire la tuerca de acoplamiento en sentido antihorario con la mano para retirar el regulador. (NO UTILICE herramientas para desconectarlo).



Coloque la tapa antipolvo en la salida de la válvula del cilindro cuando el cilindro no esté en uso. Instale únicamente el tipo de tapa antipolvo en la salida de la válvula del cilindro que se proporciona con la válvula del cilindro. Otros tipos de tapas o tapones pueden provocar fugas de propano.

ALMACENAMIENTO DE CILINDROS DE GLP

⚠ ADVERTENCIA

- No guarde un cilindro de GLP de repuesto debajo, cerca o dentro de este aparato.
- No llene un cilindro de GLP más del 80% de su capacidad. Si NO SE sigue exactamente la información anterior, puede producirse un incendio que cause la muerte o lesiones graves.

- El cilindro de GLP debe estar APAGADO cuando el aparato no esté en uso.
- Los cilindros de GLP deben almacenarse al aire libre y fuera del alcance de los niños.
- No almacene un cilindro de GLP dentro de un edificio, garaje o en cualquier otro área cerrada.
- No almacene un cilindro de GLP en lugares donde las temperaturas puedan alcanzar más de (50°C / 122°F).

OBTENCIÓN Y LLENADO DEL CILINDRO DE GAS

- Utilice únicamente empresas de confianza que inspeccionen, llenen con precisión, prueben y certifiquen sus cilindros. El distribuidor de GLP debe purgar el cilindro nuevo antes de llenarlo.
- Para quitar el gas del cilindro de GLP, comuníquese con un distribuidor de GLP certificado o con el departamento de bomberos local para obtener ayuda.
- No libere gas licuado de petróleo (GLP) a la atmósfera.
- El llenado se debe realizar lejos de cualquier fuente de ignición.
- Su distribuidor puede ayudarlo a encontrar un cilindro de GLP de repuesto para su electrodoméstico.
- El volumen de propano en el cilindro variará según la temperatura.



INSTRUCCIONES DE ENCENDIDO

1. VÁLVULAS DE RETENCIÓN

⚠ Asegúrese de que el gas esté APAGADO antes de verificar las válvulas del aparato. Conecte/encienda el gas después de verificar las válvulas.

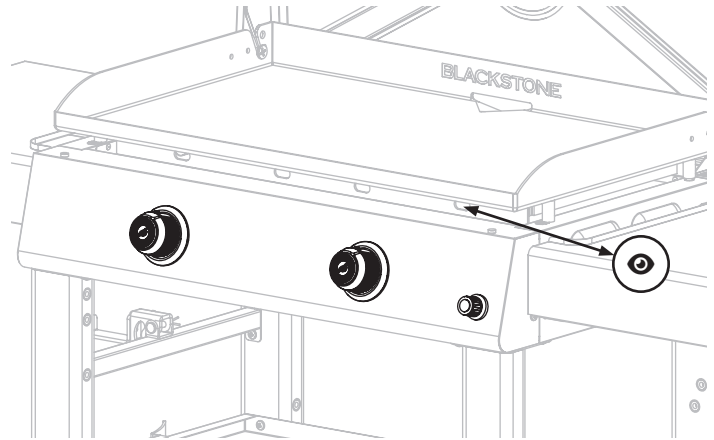
Abra la tapa/capó antes de encender el aparato, según corresponda.

PASO 01 Gire todas las perillas de control a la posición de apagado ❶.

PASO 02 Presione las perillas de control y suéltelas.

PASO 03 Gire las perillas de control a la posición BAJA y luego gírelas nuevamente a la posición APAGADA.

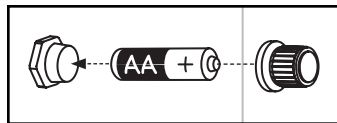
(Si las perillas de control no vuelven a su posición original o no giran con suavidad, comuníquese con el servicio de atención al cliente.)



2. ENCENDIDO ALIMENTADO POR PILA

PASO 01 Inserte una (1) pila AA debajo del botón de encendido.

Atornille el botón en su lugar sobre el terminal positivo.



Limpie los contactos de la pila y del aparato antes de instalar la pila.

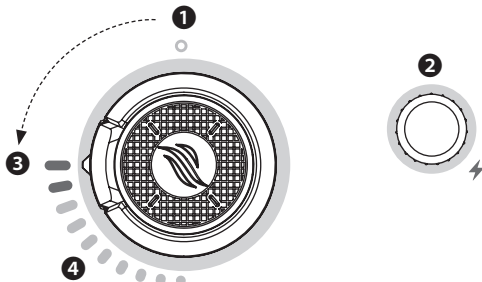
PASO 02

❷ Mantenga presionado el botón de encendido.

❸ Presione y gire la perilla de control a la posición ALTA.

(Encienda cada quemador de a uno por vez. Suelte el botón de encendido cuando todos los quemadores estén encendidos).

❹ Ajuste la temperatura al nivel deseado.

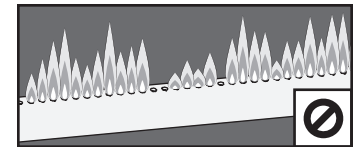
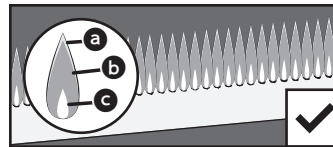


3. SIEMPRE VERIFIQUE LA LLAMA DEL QUEMADOR ANTES DE USAR

↔ Distancia de visualización: no más cerca de (45,7 cm / 18 in).

PATRÓN DE LLAMA SALUDABLE

AMARILLO O IRREGULAR



a Parpadeos de color amarillo. **b** Azul oscuro. **c** Azul vibrante.

- Cuando la temperatura está configurada en ALTA, las llamas deben ser más grandes que cuando la temperatura está configurada en BAJA.
- Si las llamas son amarillas, irregulares, están en una ubicación inesperada o se apagan repentinamente, apague el aparato y consulte el capítulo de Solución de problemas.

⚠ ADVERTENCIA

Si el quemador NO SE enciende con la válvula de suministro de gas abierta, el gas seguirá saliendo del quemador y podrá encenderse accidentalmente/inadvertidamente con riesgo de lesiones.

Si NO SE produce el encendido en 5 segundos:

1. Apague el aparato.
2. Espere 5 minutos.
3. Repita el procedimiento de encendido.

Si el quemador NO SE enciende, apague el aparato y consulte el capítulo de Solución de problemas.

⚠ ATENCIÓN

Si su aparato tiene una cubierta/tapa, dejarla cerrada con los quemadores a temperatura baja durante más de 10 minutos puede provocar un sobrecalentamiento y quemaduras. La cubierta/tapa/cubierta DEBE estar abierta cuando el aparato esté en uso.

CÓMO UTILIZAR LA PLANCHA

Su plancha Omnivore Blackout Griddle Plate ha sido sazonada previamente con aceite de calidad alimentaria para su comodidad.

ANTES DEL PRIMER USO:

PASO 01 Limpie la superficie de cocción con agua y deje que se seque por completo para eliminar cualquier material de embalaje, polvo o residuos.

PASO 02 Aplique aceite a la superficie de la plancha y comience a cocinar de inmediato.

Nota: Al principio, los alimentos pueden pegarse. El curado y las propiedades antiadherentes de la plancha mejorarán con el uso.

CONDIMENTO ADICIONAL (OPCIONAL):

Si desea añadir más capas de condimento a su plancha:

PASO 01 Encienda todos los quemadores a fuego alto y espere 10 minutos.

PASO 02 Utilice pinzas para sujetar una toalla de papel o un paño de algodón y esparcir una capa fina (29,6-44,4 ml / -3 cucharadas) de aceite condimentado sobre toda la superficie de cocción.

PASO 03 Cuando el aceite deje de humear, repita el **PASO 02** 3-4 veces.

¿QUÉ ACEITE ES MEJOR USAR?

- Condimento y acondicionador para hierro fundido Blackstone.
- Cualquier aceite de cocina de origen vegetal.
- Grasa animal fundida sin aditivos.



⚠ ATENCIÓN

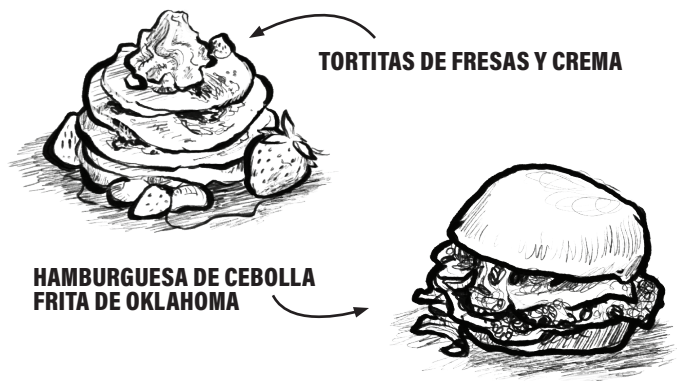
Este aparato estará caliente durante y después de su uso. Utilice utensilios de mango largo y guantes de cocina/guantes protectores cuando manipule piezas potencialmente calientes para protegerse contra quemaduras y salpicaduras.

RECETAS Y CONSEJOS DE COCINA

[BlackstoneProducts.com/recipes](https://www.blackstoneproducts.com/recipes)

[youtube.com/BlackstoneGriddles](https://www.youtube.com/BlackstoneGriddles)

[@blackstoneproducts](https://www.facebook.com/blackstoneproducts)



AVISO

No guarde ningún artículo a menos de (7,6 cm / 3 in) de la superficie de la plancha mientras esté en uso.

⚠ ATENCIÓN

Deseche adecuadamente los trapos/toallas utilizados para esparcir el aceite sobre la plancha para evitar incendios que puedan ocurrir debido a la combustión espontánea.

En las condiciones adecuadas, el aceite residual en trapos o toallas puede oxidarse mucho después de haber sido retirado de una fuente de calor. El proceso de oxidación en sí produce calor que, si NO SE disipa, puede acumularse y causar que los trapos/toallas y el material circundante se enciendan.

ESPAÑOL





CÓMO LIMPIAR LA PLANCHA

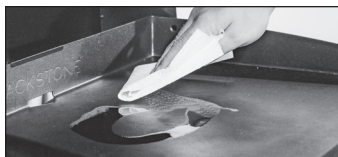
Limpie la parte superior de la plancha después de cada uso, mientras aún esté caliente.

Nota: NO USE jabón en la parte superior de la plancha. Esto destruirá el condimento de la plancha.

PASO 01. Aplique unos pocos mililitros o cucharadas de agua a la superficie de la plancha, luego raspe el agua y los residuos en el recipiente de grasa.



PASO 02. Deje enfriar antes de aplicar una fina capa de aceite de cocina para conservar el curado y proteger la superficie de la plancha.



VACÍA TU VASO DE GRASA

El recipiente para la grasa debe retirarse y vaciarse después de cada uso.

Nota: Asegúrese de que la plancha esté sobre una superficie nivelada para que la grasa y el agua se escurran hacia el orificio de grasa trasero.

⚠ ATENCIÓN

La taza de grasa estará caliente durante y después del uso. NO RETIRE la taza de grasa hasta que la plancha se haya enfriado por completo.

PREVENCIÓN DE LA OXIDACIÓN

- No exponga la superficie de la plancha al agua entre usos. Séquela siempre inmediatamente.
- Use su plancha con frecuencia. Cada vez que cocina, añada condimentos, lo que reduce la probabilidad de oxidación y mejora las propiedades antiadherentes de la plancha.

Nota: Si vive en un clima húmedo o costero, su plancha puede requerir curaciones más frecuentes entre usos.



Si aparece óxido: Elimínelo con lana de acero, papel de lija de grano fino o piedra pómez y vuelva a curar la superficie afectada.

⚠ ADVERTENCIA

La acumulación de grasa puede provocar un incendio. Limpie cualquier parte del aparato que se caliente y experimente acumulación de grasa después de cada uso.

⚠ ATENCIÓN

Toda la limpieza y el mantenimiento deben llevarse a cabo cuando el aparato esté frío y todo esté APAGADO.

AVISO

NO UTILICE Citrisol, limpiadores abrasivos o un limpiador concentrado en el aparato. Esto puede resultar en daños y fallas en las piezas.

- NO USE una almohadilla abrasiva en áreas con gráficos.
- Si se usa un cepillo de cerdas para limpiar cualquiera de las superficies de cocción, asegúrese de que no queden cerdas sueltas en las superficies de cocción antes de cocinar.
- Lave el cuerpo del aparato con agua tibia y jabón y séquelo inmediatamente con un paño no abrasivo. (No permita que los productos de limpieza permanezcan sobre superficies porosas durante un tiempo prolongado).

ALMACENAMIENTO Y MANTENIMIENTO PERIÓDICO

⚠ ADVERTENCIA

No mueva el aparato cuando esté en uso. Deje que el aparato se enfríe a (45°C /15°F) antes de moverlo o almacenarlo.

Revise y ajuste cualquier herraje suelto, especialmente antes y después de transportar o mover el aparato.



Cubra el aparato cuando lo guarde al aire libre. No lo guarde en un lugar donde pueda acumularse agua.

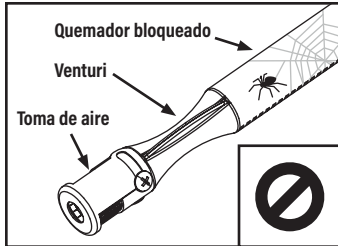




LIMPIEZA DEL CONJUNTO DEL QUEMADOR

Las arañas y los insectos pueden anidar dentro y obstruir el quemador/tubo venturi en el orificio.

Para reducir la posibilidad de un incendio por retroceso, se debe seguir el procedimiento a continuación al menos una vez al mes, cuando las arañas están más activas o cuando su electrodoméstico NO SE ha utilizado durante un período de tiempo.



⚠ ADVERTENCIA

Un quemador obstruido puede provocar un incendio debajo del aparato. El quemador debe retirarse y limpiarse siempre que se encuentren obstrucciones.

PASO 01 Asegúrese de que el suministro de gas esté APAGADO en las perillas de control.

- Retire la parte superior de la plancha (sujétela por los lados).
- Retire el quemador.

PASO 02 Levante con cuidado el quemador y retírelo del orificio de la válvula de gas.

PASO 03 Limpie el interior del quemador:

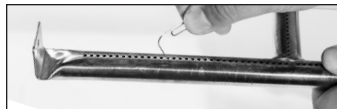
- Pase un cepillo estrecho para botellas a través del quemador varias veces. (NO use cepillos de alambre)
- Utilice aire comprimido para apagar el quemador. (Use protección para los ojos)



PASO 04 Cepille toda la superficie exterior del quemador para eliminar la suciedad.

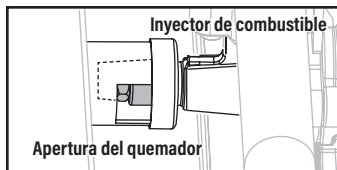


PASO 05 Limpie los puertos bloqueados con un alambre rígido, como un sujetapapeles abierto.



PASO 06 Vuelva a colocar con cuidado los quemadores y vuelva a colocarlos, prestando atención a la ubicación de la aguja de encendido.

⚠ La boquilla de combustible del riel de gas debe volver a conectarse dentro de la abertura del quemador.





SOLUCIÓN DE PROBLEMAS

EL QUEMADOR NO SE ENCIENDE

Si NO SE produce el encendido en 5 segundos:

PASO 01 Apague el aparato.

PASO 02 Espere 5 minutos.

PASO 03 Repita el procedimiento de encendido.

Si esto no funciona, intente encender el aparato con un fósforo para determinar la causa.

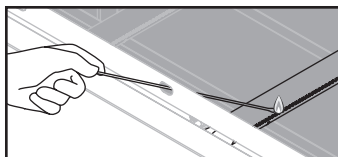
INSTRUCCIONES PARA ENCENDER EL APARATO CON UN FÓSFORO

Antes de comenzar, verifique que no haya fugas de gas. Abra la capota (si corresponde).

PASO 01 Apague los controles.

PASO 02 Encienda un fósforo (o encendedor largo) de no más de (27,9 cm / 11 in) de largo.

PASO 03 Coloque la llama junto al quemador.



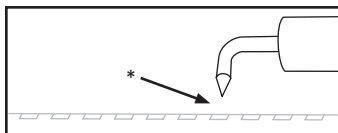
PASO 04 Gire el control del quemador a la posición BAJA. Asegúrese de que el quemador se encienda y permanezca encendido.

SI UN FÓSFORO NO PUEDE ENCENDER EL APARATO:

POSIBLES CAUSAS	SOLUCIÓN
El gas no llega a los quemadores.	Consulte la sección "El gas no llega a los quemadores".

SI UN FÓSFORO PUEDE ENCENDER EL APARATO:

POSIBLES CAUSAS	SOLUCIÓN
El cable del encendedor está desalineado.	Asegúrese de que la aguja del encendedor esté ubicada a *(3~7 mm / 1/8~1/4 in) de distancia del quemador y alineada con los orificios del quemador.



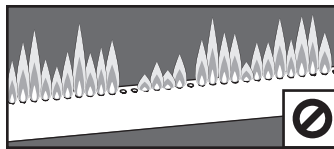
Daño en el sistema de encendido.	Comuníquese con el servicio de atención al cliente para obtener piezas de repuesto.
----------------------------------	---

Batería agotada o mal instalada.
Para reciclar y desechar baterías para proteger el medio ambiente, consulte Internet o su directorio telefónico local para encontrar centros de reciclaje locales y/o siga las regulaciones del gobierno local.

Reemplácela con una batería nueva.

- Asegúrese de que la batería esté instalada correctamente con respecto a la polaridad (+ y -).
- Retire las baterías del equipo que NO SE vaya a utilizar durante un período prolongado.
- Retire las baterías usadas rápidamente.

EL GAS NO LLEGA A LOS QUEMADORES LAS LLAMAS SON AMARILLAS O IRREGULARES



- Las llamas del quemador son inconsistentes.
- La altura de la llama disminuye cuando se enciende un segundo quemador.
- El aparato no alcanza una temperatura alta o caliente de manera desigual.

POSIBLES CAUSAS SOLUCIÓN

El cilindro de gas está vacío o tiene poca carga. (No corresponde si está conectado a gas natural)	Rellene o reemplace el cilindro de gas.
---	---

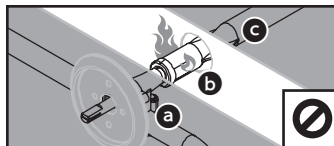
Se activó el dispositivo limitador de flujo del regulador. (No corresponde para aparatos que no tienen un regulador fijado de manera permanente)	Reinicie el sistema de seguridad: PASO 01 Apague el aparato, cierre la válvula del cilindro de gas y desconecte el regulador del cilindro de gas.
---	---

PASO 02 Espere cinco minutos para que se disipe la presión, luego vuelva a conectar el regulador al cilindro de gas y abra lentamente la rueda manual del cilindro de gas una a tres vueltas.

PASO 03 Encienda el aparato. Si esto no funciona, el regulador puede estar atascado en la posición de seguridad. Comuníquese con el servicio de atención al cliente para obtener piezas de repuesto.

Obstrucciones en el quemador.	Limpie el conjunto del quemador para eliminar la obstrucción.
-------------------------------	---

LLAMA EN UNA UBICACIÓN INESPERADA



- a Riel y válvulas de gas.
- b Entrada/compuerta de aire.
- c Quemador.

POSIBLES CAUSAS SOLUCIÓN

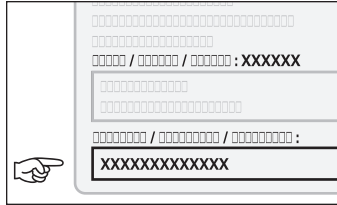
Algo está bloqueando el venturi en el quemador.	Comuníquese con el servicio de atención al cliente para evitar dañar el aparato.
---	--

ATENCIÓN AL CLIENTE

UBICACIÓN DEL NÚMERO DE SERIE

Para habilitar su garantía, deberá proporcionar el número de serie de su electrodoméstico.

El número de serie se puede encontrar en la etiqueta del fabricante/ la etiqueta plateada grande de su electrodoméstico.



MANUAL DEL PROPIETARIO DIGITAL

Este manual se puede encontrar en el sitio web de su distribuidor o contactando con el servicio de atención al cliente.

CONTACTA CON NOSOTROS

- Para preguntas, consultas y atención al cliente.
- Para registrar su producto y activar la garantía.
- Antes de devolver este aparato a su distribuidor.
- Para consultar el horario y los idiomas.

ESTADOS UNIDOS

Sitio web: BlackstoneProducts.com/support

CANADÁ

Sitio web: BlackstoneGriddles.ca



LIBRO DE COCINA ELECTRÓNICO GRATUITO AL REGISTRARSE

GARANTÍA DE UN AÑO

North Atlantic Imports, LLC garantiza este producto contra defectos de materiales y mano de obra por un período de un (1) año a partir de la fecha original de compra en condiciones de uso normal. En la medida en que se produzcan dichos defectos, North Atlantic Imports, LLC., a su discreción, proporcionará las piezas de repuesto adecuadas sin coste alguno.

En ningún caso North Atlantic Imports, LLC será responsable de los daños consecuentes, indirectos o incidentales que resulten de la instalación, el uso o la falla del producto.

Esta garantía NO cubre:

- Costos de inspección o mano de obra para el reemplazo de cualquier pieza defectuosa;
- Defectos cosméticos que no afectan el rendimiento o la integridad del producto;
- Uso y desgaste normal;
- Daños por vandalismo; actos de la naturaleza, incluidos, entre otros, viento, tormentas, granizo, inundaciones;
- Montaje, instalación o uso inadecuado;
- Decoloración o decoloración del acabado como resultado de la exposición a productos químicos, derrames, piscina o agua salada;
- Corrosión/óxido.

Este producto ha sido diseñado para brindar seguridad y calidad. Cualquier modificación realizada al producto original podría comprometer su integridad estructural o su función y podría provocar fallas en el producto o lesiones personales. Como tal, modificar este producto anula todas las garantías.

Este producto es SOLO PARA USO RESIDENCIAL y no para fines comerciales, contractuales ni otros fines no residenciales. North Atlantic Imports, LLC renuncia a todas las demás representaciones y garantías de cualquier tipo, expresas o implícitas.

La garantía se aplica al comprador original y no es transferible. NO SE aplica a accesorios o piezas que NO SE suministran con el producto, a compras de modelos de exhibición ni a productos que se venden en liquidación o "tal cual". Sin embargo, es posible que tenga otros derechos legales específicos según las leyes de su estado o país de residencia específico.

North Atlantic Imports, LLC se reserva el derecho de cambiar o modificar esta garantía en cualquier momento.

Este producto puede estar cubierto por una o más patentes estadounidenses y/o internacionales emitidas y puede incluir solicitudes de patentes pendientes.

Para obtener más información, visite: BlackstoneProducts.com/patents

Blackstone es una marca registrada de North Atlantic Imports, LLC

©2025 North Atlantic Imports. Todos los derechos reservados.

Distribuido por North Atlantic Imports, LLC 1073 W 1700 N Logan, UT 84321 EE. UU.



Esta página se dejó en blanco intencionalmente



