

Installation Instructions for SHARP Built-in Kits model number RK-J40W/RK-J40K/RK-J40S/RK-J90W/RK-J90S

Before installing a Sharp Microwave Oven, read and check the following points.

SAFETY INFORMATION

1. Disconnect the oven from the power supply before installation.
2. To avoid damage caused by heat, do not install directly adjacent to a conventional oven (in particular front venting ovens). The manufacture nor the distributors can accept liability for damage to the microwave oven or built-in kit caused by incorrect installation.
3. Surround
 - a. Make sure that the Sharp Built-in Kit is the correct surround for your oven.
 - b. The Sharp Microwave Ovens are designed to either stand neatly on a kitchen counter top or to be built into a fitted kitchen cabinet using the Sharp Built-in Kits only. Applicable Sharp Microwave Ovens are listed below.

| Sharp Built-in Kit Model | Applicable Sharp Microwave Ovens | Built-in kit surround dimensions | |
|--------------------------|--|----------------------------------|--------|
| | | WIDTH | HEIGHT |
| RK-J40W | R-450C, R-480C, R-480E, R-480F, R-450H, R-480J | 596mm | 446mm |
| RK-J40K | R-480C(K), R-480E(K) | 596mm | 446mm |
| RK-J40S | R-490C(S), R-490F(S) | 596mm | 445mm |
| RK-J90W | R-980A, R-9X58, R-980E, R-995E, R-980J, R-995J | 758mm | 511mm |
| RK-J90S | R-990C(S), R-990J(S) | 758mm | 511mm |

- c. (Note for RK-J90W, RK-J90S) The surround will get hot while the convection heater is operating. Take care to prevent burns when you use the oven.
4. Kitchen cabinet
 - Prepare the kitchen cabinet as follows;
 - a. The opening in the kitchen cabinet must be of the following dimensions as shown in Fig. 1. The shelf of the kitchen cabinet should be made to withstand the weight of the microwave oven to be installed and the heaviest item likely to be cooked in the microwave oven. Refer to the following Sharp microwave oven weight.

| Sharp Built-in Kit Model | WIDTH | HEIGHT | DEPTH | Applicable oven weight |
|--------------------------|---------------|-------------|--------------|---|
| RK-J40W/J40K/J40S | 560-564mm | 419mm | 455mm (min.) | Approx. 19 kg (R-490C(S)/R-490F(S): 20 kg) |
| RK-J90W/J90S | 714.5-720.5mm | 479.5-482mm | 511mm (min.) | Approx. 29 kg (R-9X58/R-995E/R-995J: 31 kg) |

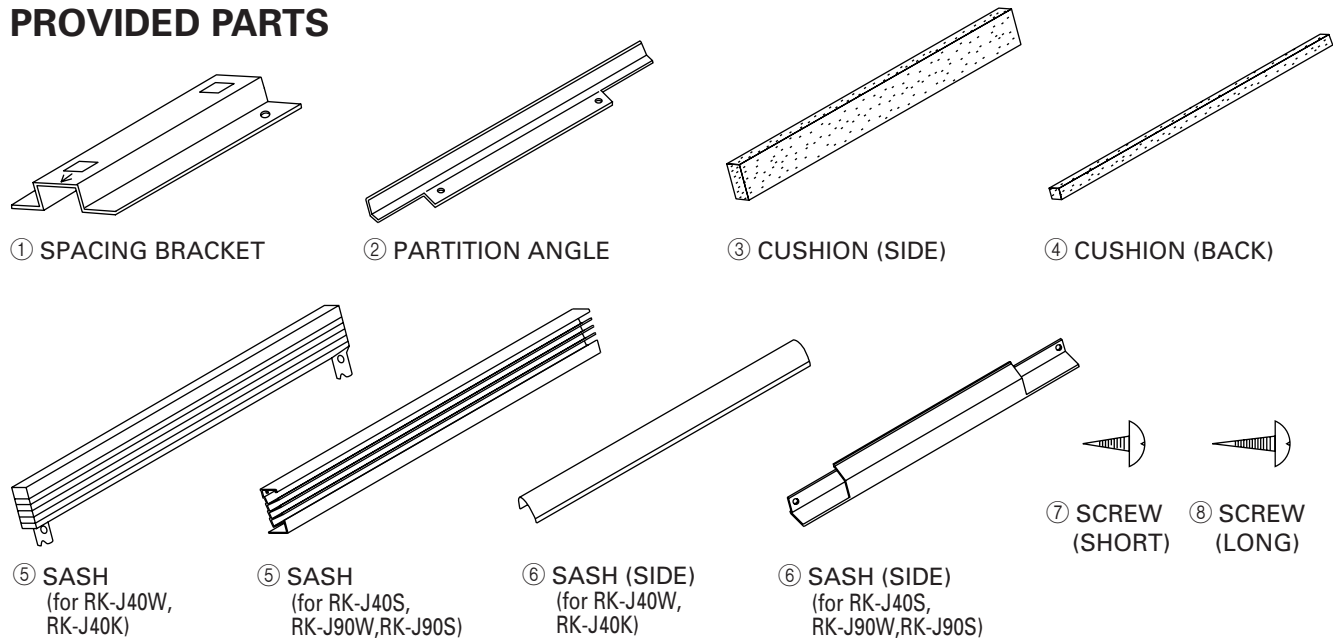
- b. Make sure that the back panel (F) is always fitted to ensure correct ventilation of the oven. The ventilation gap (D) must be 50 mm (RK-J90W, RK-J90S) or 100 mm (RK-J40W, RK-J40K, RK-J40S) as shown in Fig. 1 and Fig. 4. And the ventilation gap (E) must be minimum 550mm (RK-J40W, RK-J40K, RK-J40S) or 710mm (RK-J90W, RK-J90S) as shown in Fig. 1.
5. Fixing

To avoid any possibility of the kitchen cabinet moving when the microwave oven is installed, it is essential that the kitchen cabinet is fixed to the back wall.

If the appliance is ever removed from the cabinet it should be re-installed in accordance with these instructions, which should be kept in a safe place for future reference.



PROVIDED PARTS

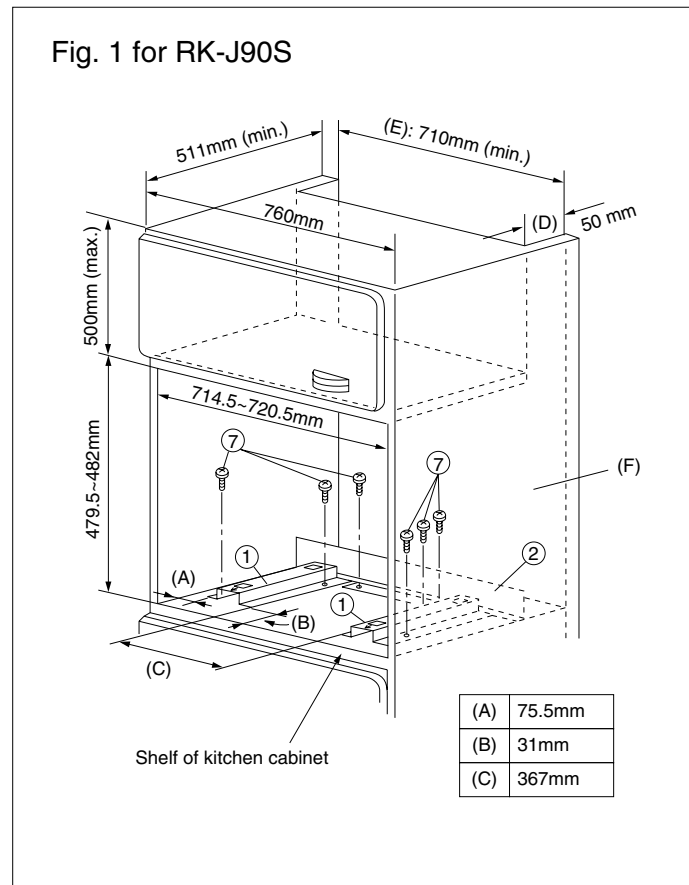
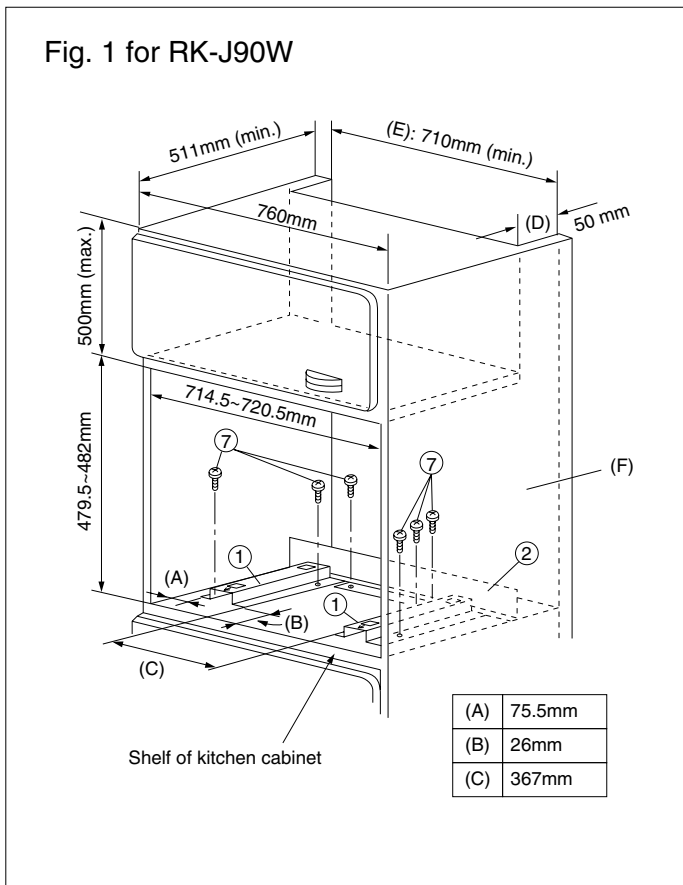
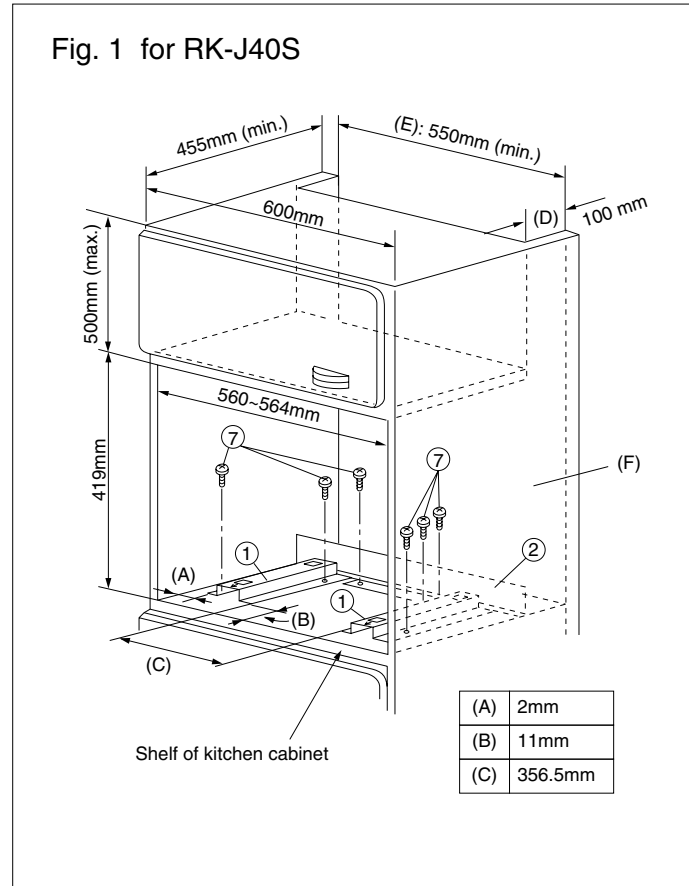
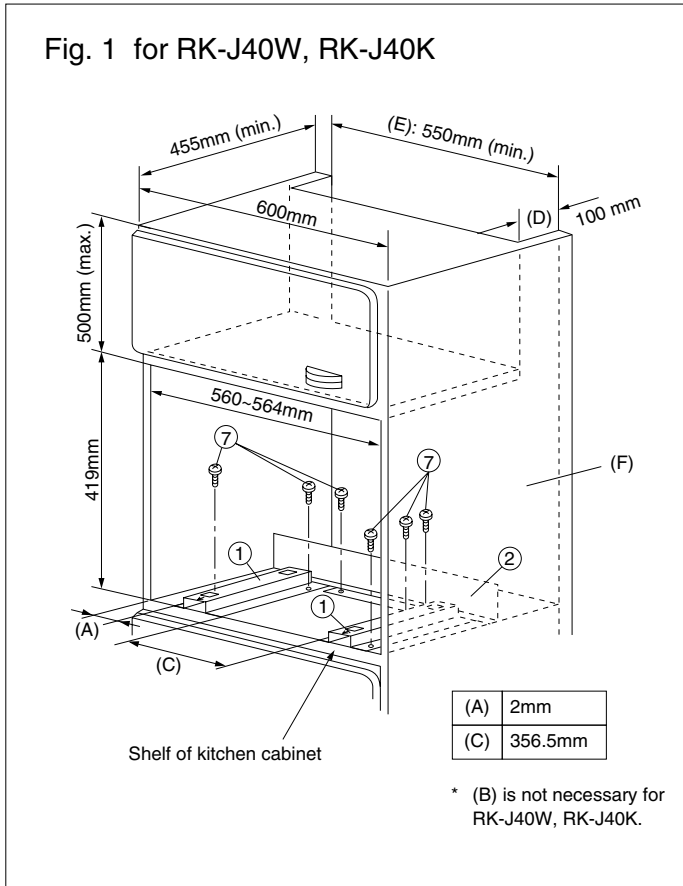


| NO. | PART NUMBER | | | | | Q'TY |
|-----|---------------|---------------|---------------|---------------|---------------|------|
| | RK-J40W | RK-J40K | RK-J40S | RK-J90W | RK-J90S | |
| ① | LANGKA931WRWZ | LANGKA931WRWZ | LANGKA931WRWZ | LANGKA931WRWZ | LANGKA931WRWZ | 2 |
| ② | LANGKA930WRWZ | LANGKA930WRWZ | LANGKA930WRWZ | LANGKA932WRWZ | LANGKA932WRWZ | 1 |
| ③ | PCUSUA537WRPZ | PCUSUA537WRPZ | PCUSUA537WRPZ | PCUSUA534WRPZ | PCUSUA534WRPZ | 2 |
| ④ | PCUSUA536WRPZ | PCUSUA536WRPZ | PCUSUA536WRPZ | PCUSUA535WRPZ | PCUSUA535WRPZ | 1 |
| ⑤ | GWAKPA177WRF0 | GWAKPA175WRF0 | GWAKMA037WREZ | GWAKMA035WREZ | GWAKMA048WREZ | 2 |
| ⑥ | GWAKPA707WRFZ | GWAKPA708WRFZ | GWAKMA045WREZ | GWAKMA036WREZ | GWAKMA046WREZ | 2 |
| ⑦ | XMMSD41P13000 | XMMSD41P13000 | XMMSD41P13000 | XMMSD41P13000 | XMMSD41P13000 | 6 |
| ⑧ | XMMSD41P20000 | XMMSD41P20000 | XMMSE41P20000 | LX-MZA002WREZ | XMMSE41P20000 | 4 |

INSTALLATION INSTRUCTIONS

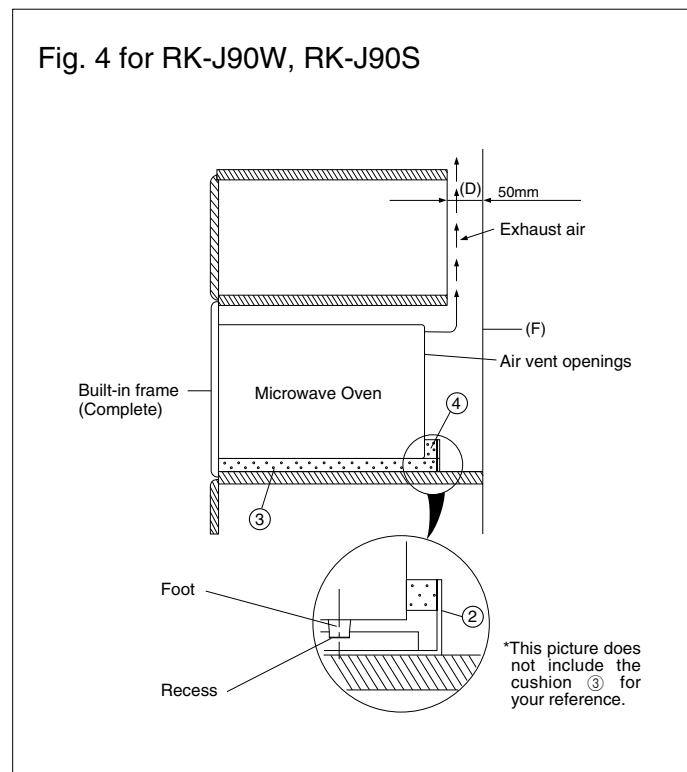
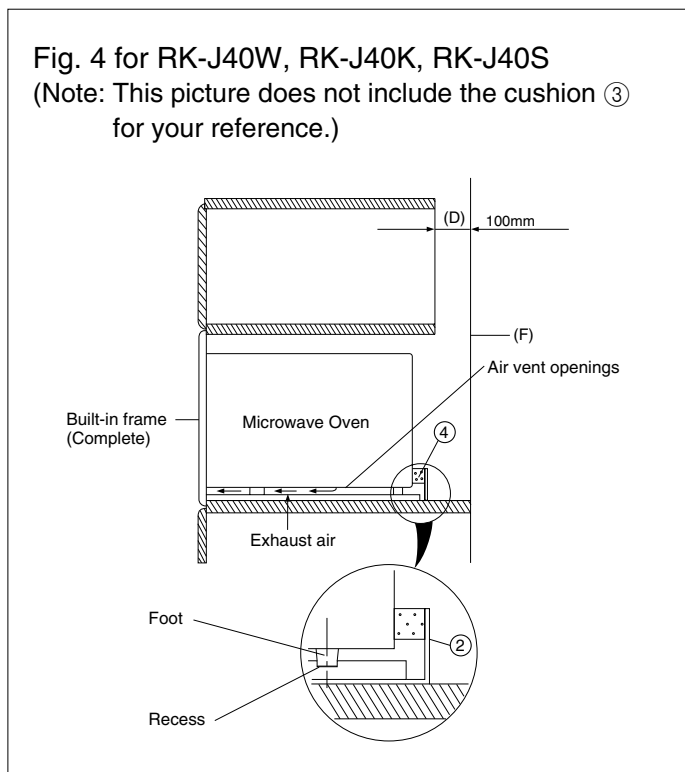
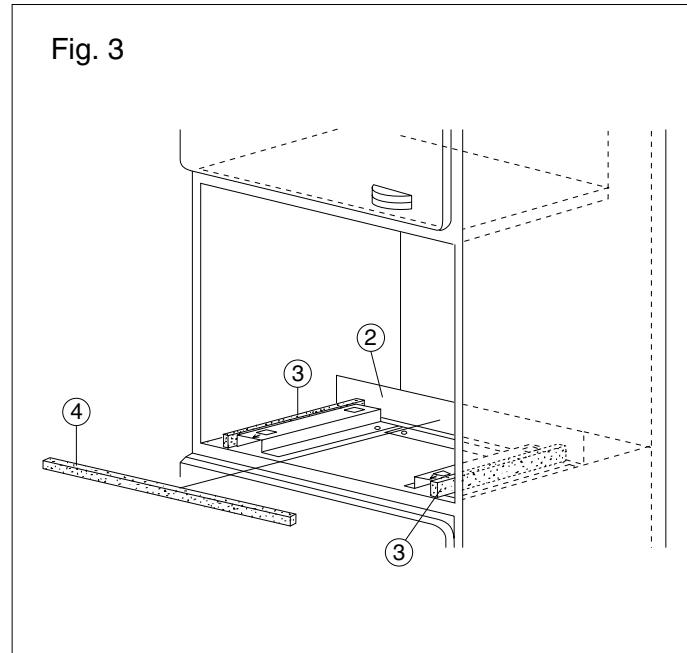
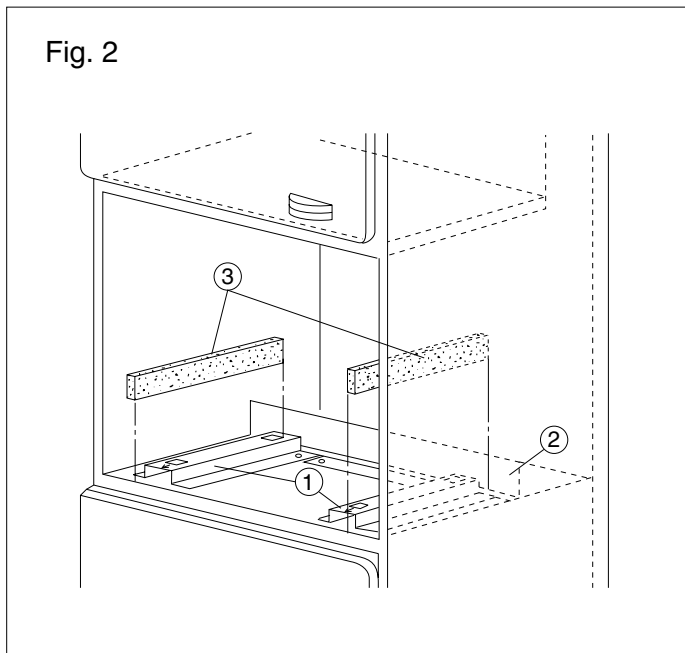
1. Provide a suitable hole in the right side wall of the kitchen cabinet behind the partition angle ② for the power supply cord and plug. If you want to have a hole in the left wall of the cabinet, the hole should be provided down the wall.
2. Set one spacing bracket ① on the shelf keeping a distance (A) between the left wall of the kitchen cabinet and the spacing bracket, and a distance (B) between the front end of the shelf and the spacing bracket as shown in Fig. 1. Attach it with the two screws ⑦ as shown in Fig. 1. And then attach the other spacing bracket ① on the shelf keeping a distance (C) between the two spacing brackets, and a distance (B) between the front end of the shelf and the spacing bracket with two screws ⑦ as shown in Fig. 1.
Caution: The arrow marks on each spacing bracket should be pointing towards you.
3. Place the partition angle ② at the end of the spacing brackets ①, and attach it with the two screws ⑦ as shown in Fig. 1.
4. Remove the backing papers from the two cushions ③. Attach the cushions ③ along the spacing brackets ① from the front end of the shelf as shown in Fig. 2.
5. Remove the backing paper from the cushion ④. Attach the cushion ④ to the partition angle ② as shown in Fig. 3 and Fig. 4.







6. Place the oven on the spacing brackets ① on the shelf of the kitchen cabinet.
7. Connect the oven to the power supply.
Caution: Connect the oven to the power supply 230 - 240 V, 50Hz.
8. Adjust the position of the oven so that the feet of the oven are fitted into the recesses of the spacing brackets as shown in Fig. 4.





9. (For RK-J40W, RK-J40K) Place the sash ⑤ on top of the oven making sure that it is level both vertically and horizontally. Secure to the kitchen cabinet with two screws ⑧ as shown in Fig. 5.
(For RK-J40S, RK-J90W, RK-J90S) Place the sash ⑤ over the sashes ⑥ on top of the oven making sure that it is level both vertically and horizontally. Secure loosely to the kitchen cabinet with two screws ⑧ as shown in Fig. 5.
10. (For RK-J40W, RK-J40K) Place the second sash ⑤ at bottom edge of the oven. Check location by measuring distance between upper and lower sashes ⑤ with each sashes ⑥. Secure to the kitchen cabinet with two screws ⑧ as shown in Fig. 5. And then install two sashes ⑥ by snapping them into place as shown in Fig. 5.
(For RK-J40S, RK-J90W, RK-J90S) Install the second sash ⑤ over the sashes ⑥ at bottom edge of the oven. And secure the sash ⑤ to the cabinet through the holes of the sashes ⑥ with two screws ⑧ as shown in Fig. 5. And tighten all screws.

Fig. 5 for RK-J40W, RK-J40K

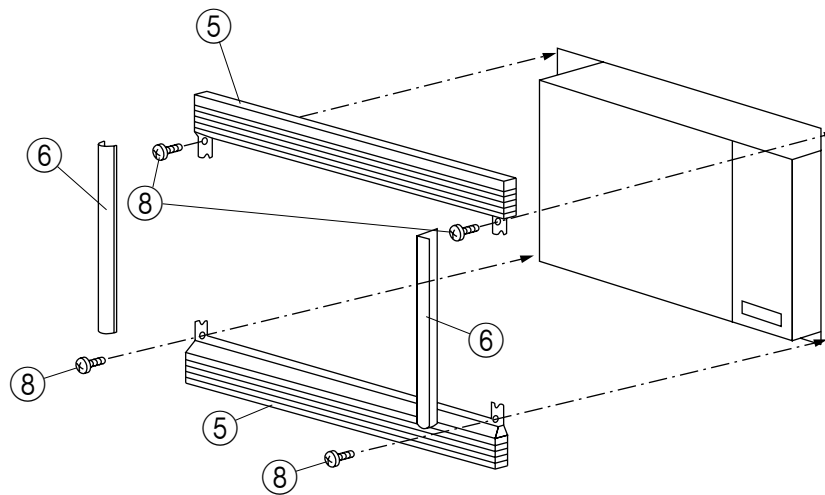
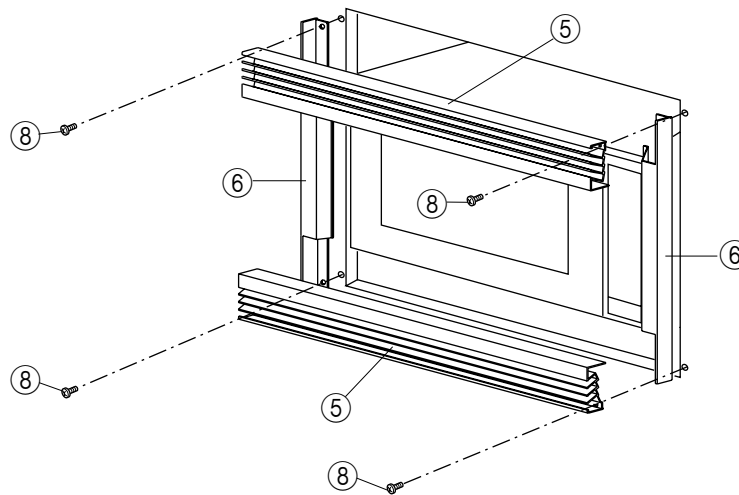


Fig. 5 for RK-J40S, RK-J90W, RK-J90S



A39990.RK-J40W.J40K,J40S,J90S o/m



SHARP[®]
SHARP CORPORATION Osaka, Japan

Recycled paper TINSEA833WRRZ - J44
Printed with soy ink PRINTED IN JAPAN