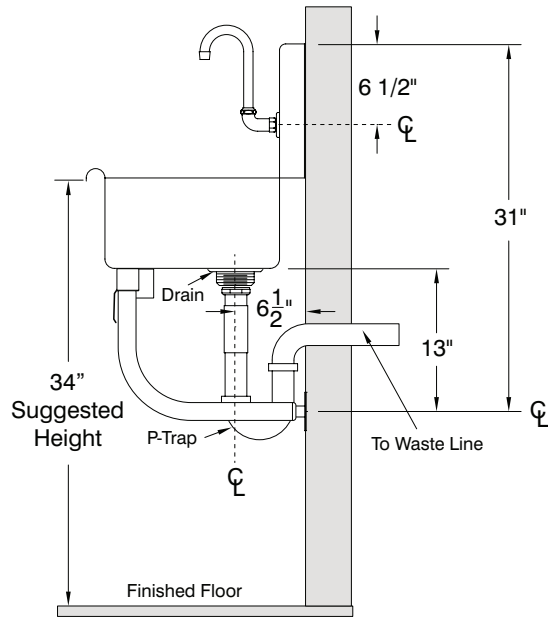


## Suggested Rough-In Plumbing Dimensions



### STEP 5

Adjust the tubular wall support brackets and flanges to proper alignment. Loosen or tighten each flange to sit snug against the wall and secure to wall using screws (Not Included) (Figure 4). Be sure to go back and hand tighten the set screws at this time.

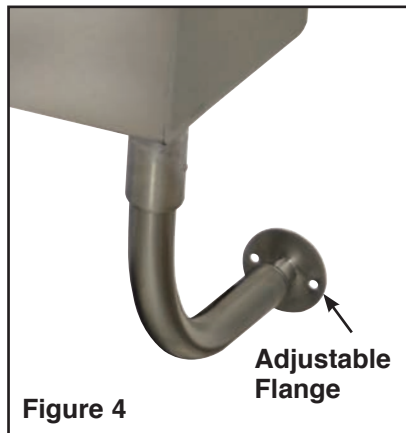


Figure 4

## INSTALLING KNEE VALVES FOR KV SERIES

Knee Valves can be installed before or after sink is mounted to the wall. Attach each Knee Valve onto the sink by fitting into existing stud welded screws found underneath the unit.

Use supplied nuts to secure valve(s) to sink. Tighten with 7/16" open end wrench (Figure 5).

Connect supply lines to knee valve(s) and supply line(s) from knee Valve(s) to Faucet(s). Connect drain(s).

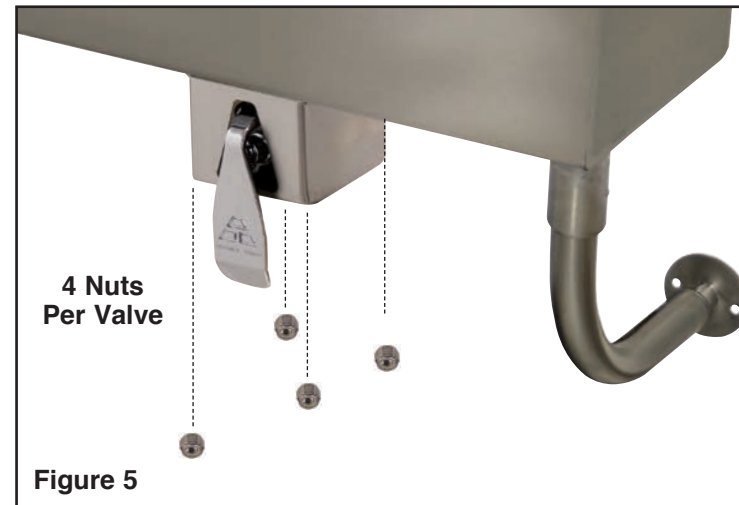


Figure 5

For Further Assistance  
Contact Customer Service at:  
**800-645-3166**

or  
[customer@advancetabco.com](mailto:customer@advancetabco.com)



## Installation Instructions for WALL MOUNTED 19-18 SERIES & WSS SERIES SINKS

MANUAL FAUCET OPERATED	ELECTRONIC OPERATED	KNEE OPERATED
Model #	Model #	Model #
19-18-1-ADA	19-18-1-EFADA	N/A
19-18-40/19-18-40-ADA	19-18-40EF/19-18-40EFADA	19-18-40KV/19-18-40KV
19-18-60/19-18-60-ADA	19-18-60EF/19-18-60EFADA	19-18-60KV/19-18-60KV
19-18-80/19-18-80-ADA	19-18-80EF/19-18-80EFADA	19-18-80KV/19-18-80KV
19-18-100/19-18-100-ADA	19-18-100EF/19-18-100EFADA	19-18-100KV/19-18-100KV
19-18-120/19-18-120-ADA	19-18-120EF/19-18-120EFADA	19-18-120KV/19-18-120KV
WSS-14-21/ WSS-16-25	WSS-14-21EF/ WSS-16-25EF	WSS-14-21KV/ WSS-16-25KV



**CHECK FOR CONCEALED DAMAGE  
FILE CLAIM WITH DELIVERING FREIGHT CARRIER**

Sinks manufactured by **ADVANCE TABCO**® are designed and constructed for the use of liquid containment. Suggested applications include Food Preparation, Manufacturing, Cooking, Laboratory and Service and the like. **ADVANCE TABCO**® does not recommend product use for activities employing harsh and active chemicals. Please consult factory regarding unusual applications.

## CARTON CONTENTS:

- (1) Sink
- (2) "Z" Wall Brackets
- Tubular Wall Supports\*
- Faucet(s)\*
- Drain(s)\*

\*See Below For Proper Quantities Supplied Per # Of Stations:

### MANUAL OPERATED SERIES

# of Stations	# of Drains Included	# of Faucets Included	# of Supports Included
1	1	Not Included	2 Support Brackets
2	1	Not Included	2 Support Brackets
3	1	Not Included	2 Support Brackets
4	1	Not Included	2 Support Brackets
5	2	Not Included	4 Support Brackets
6	2	Not Included	4 Support Brackets

### ELECTRONIC FAUCET OPERATED SERIES (EF Series)

# of Stations	# of Drains Included	# of Faucets Included	# of Supports Included
1	1	1	2 Support Brackets
2	1	2	2 Support Brackets
3	1	3	2 Support Brackets
4	1	4	2 Support Brackets
5	2	5	4 Support Brackets
6	2	6	4 Support Brackets

### KNEE OPERATED SERIES (KV Series)

# of Stations	# of Drains Included	# of Faucets Included	# of Knee Valves Included	# of Supports Included
1	1	1	1	2 Support Brackets
2	1	2	2	2 Support Brackets
3	1	3	3	2 Support Brackets
4	1	4	4	2 Support Brackets
5	2	5	5	4 Support Brackets
6	2	6	6	4 Support Brackets

### TOOLS NEEDED (Not Included):

- 5/32" Allen Wrench
- 7/16" Open End Wrench

### STEP 1

Carefully remove contents of carton/crate. Position sink upside down on a protected surface so you can access the underside of the sink. Install tubular wall supports into Sink gussets (Figure 1).

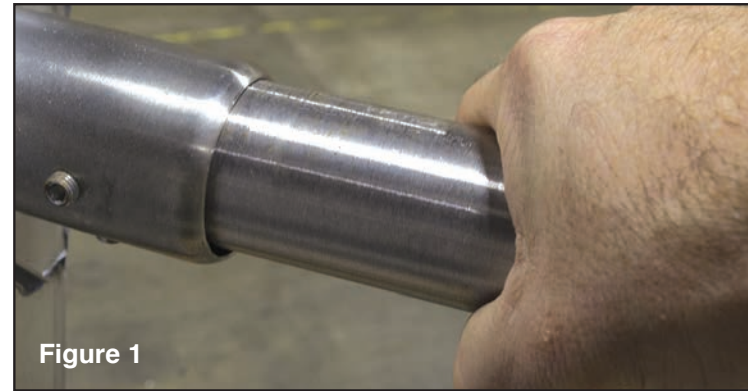


Figure 1

### STEP 2

Lightly tighten each Set Screw using 5/32" Allen Wrench. Do not over-tighten at this time (Figure 2).

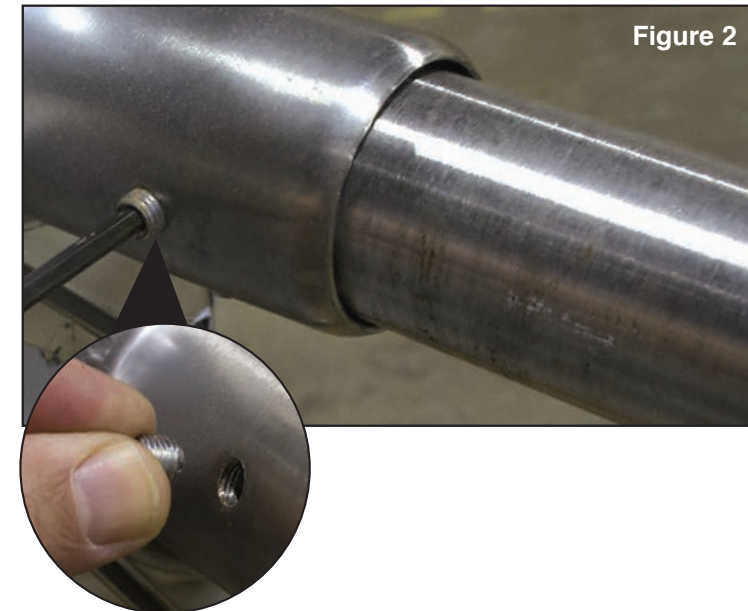


Figure 2

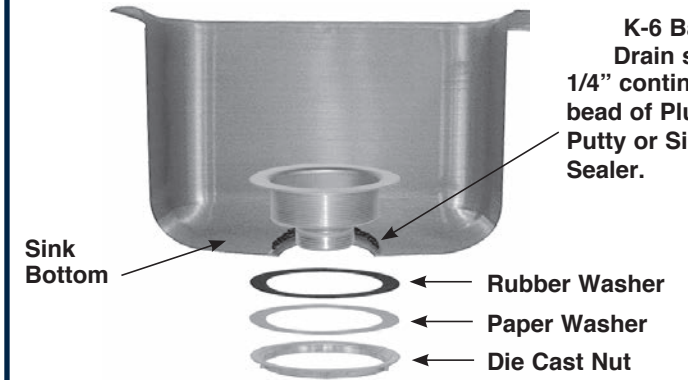
**PLEASE NOTE:** Some models may require Set Screws to be inserted into the Set Screw Holes.

### STEP 3

Place Sink upright and install drain(s) and faucet(s) at this time. Your plumbing contractor is responsible for local code requirements.



K-6 Basket Drain shown  
1/4" continuous bead of Plumber's Putty or Silicone Sealer.



### STEP 4

Mount the provided wall "Z" brackets to wood studs or cement walls for strong support. Mount the brackets at recommended height of 44" from the finished floor to the top of the bracket (Figure 3). **When installing A.D.A. sink models, be sure to review A.D.A. codes for proper install heights.** See suggested rough-in dimensions on next page.

Slide the sink onto the wall brackets and be sure the sink sits securely on them.

Figure 3

