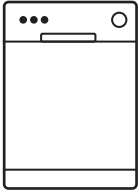




Electrolux



[electrolux.com/register](https://electrolux.com/register)



EN User Manual | **Dishwasher**



# CONTENTS

1. IMPORTANT SAFETY INFORMATION.....	2
2. FEATURES.....	4
3. CONTROLS AND SETTINGS.....	5
4. OPERATING INSTRUCTIONS.....	9
5. CARE AND CLEANING.....	16
6. SAVING ENERGY.....	18
7. NORMAL OPERATING SOUNDS.....	18
8. TROUBLESHOOTING.....	19
9. LIMITED WARRANTY.....	24

## 1. IMPORTANT SAFETY INFORMATION

### 1.1 Keep a record for quick reference

Model number

.....

Serial number

.....

Purchase date

.....

#### **WARNING!**

Read all instructions before using this appliance.

#### **IMPORTANT**

This Manual does not cover every possible condition and situation that may occur. Use common sense and caution when installing, operating and maintaining any appliance.

### 1.2 Safety definitions



This is the safety alert symbol. It is used to alert of potential personal injury hazards. Obey all safety messages that follow this symbol to avoid possible injury or death.

#### **DANGER**

DANGER indicates an imminently hazardous situation which, if not avoided, will result in death or serious injury.

#### **WARNING!**

WARNING indicates a potentially hazardous situation which, if not avoided, could result in death or serious injury.

#### **CAUTION!**

CAUTION indicates a potentially hazardous situation which, if not avoided, may result in minor or moderate injury.

#### **IMPORTANT**

IMPORTANT indicates installation, operation or maintenance information which is important but not hazard-related.

### 1.3 Child safety

This appliance is not intended for use by persons (including children) with reduced physical, sensory or mental capabilities, or lack of experience and knowledge, unless they have been given supervision or instruction concerning use of the appliance by a person responsible for their safety.

Destroy or recycle the carton, plastic bags, and any exterior wrapping material immediately after the refrigerator is unpacked. Children should never use these

items to play. Cartons covered with rugs, bedspreads, plastic sheets or stretch wrap may become airtight chambers, and can quickly cause suffocation.

- Keep children away from the appliance when it is operating.
- Do not allow children to play with the appliance.
- Do not let children sit or stand on the door or racks of the appliance.
- Keep dishwasher detergent and rinse agents away from children.

## 1.4 Important safety instructions

### **WARNING!**

To reduce the risk of fire, electrical shock or injury when using the appliance, follow this user manual.

Do not store or use gasoline, or other flammable liquids in the vicinity of this or any other appliance. Read product labels for warnings regarding flammability and other hazards.

Remove all staples from the carton. Staples can cause severe cuts, and also destroy finishes if they come in contact with other appliances or furniture.

NSF certified residential dishwashers are not intended for licensed food establishments.

Do not operate the appliance unless all enclosure panels are in their proper place.

Use only detergents and rinse agents recommended for use in the appliance.

Make sure that disposer is completely empty before running the appliance.

Do not wash plastic items unless marked: "Dishwasher Safe" or equivalent. Check with manufacturer for recommendations, if not marked. Items that are not marked "Dishwasher Safe" may melt and create a potential fire hazard.

When loading items to be washed:

- Locate sharp items and knives so that they are not likely to damage the door seal or tub.

- Load sharp items and knives with the handles up to reduce the risk of cut-type injuries.

Do not tamper with controls.

Use care unloading the dishware when the Sanitize option has been selected. Contents may be hot to the touch immediately after the end of cycle.

### **DANGER**

Hydrogen gas is highly explosive and flammable.

Under certain conditions, hydrogen gas may be produced in a hot water system that has not been used for 2 weeks or more. If hot water system has not been used for such a period, before using dishwasher, turn on all hot water faucets and let water flow from each for several minutes. This will release any accumulated hydrogen gas. Do not smoke or use an open flame during this time.

Do not store or use combustible materials, gasoline or other flammable vapors and liquids in the vicinity of this or any other appliance.

Disconnect electrical power to the appliance before servicing.

Repairs should be done by a qualified technician.

To avoid entrapment and/ or suffocation, remove door or door latch mechanism from any dishwasher that is discarded or not in use.

## 1.5 Electrical information

### **WARNING!**

Avoid fire hazard or electric shock.

- This appliance must be connected to a ground metal, permanent wiring system, or an equipment-grounding conductor must be run with the circuit conductors and connected to the equipment-grounding terminal or lead on this appliance. Read the Installation Instructions for details.
- This appliance is designed to operate on regular house current (120V, 60Hz). Use a

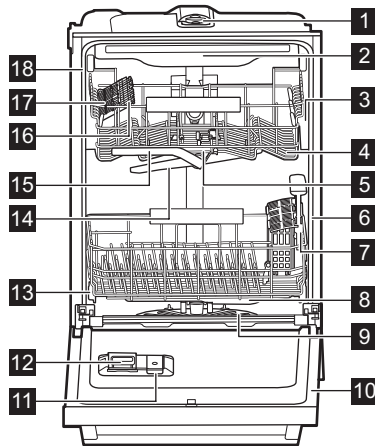
circuit equipped with a 15 ampere fuse or circuit breaker. Use a 20 ampere fuse if dishwasher is connected with a food disposer.

- If the power cord is damaged, it should be replaced by an authorized service technician to prevent any risk.

- Never unplug the appliance by pulling on the power cord. Always grip the plug firmly, and pull straight out from the receptacle to prevent damaging the power cord.

## 2. FEATURES

### 2.1 Features



- 1** Upper Spray Arm
- 2** Cutlery Tray
- 3** Adjustable Rack Mechanism
- 4** Upper Rack
- 5** Flex Wash System
- 6** Interior Light
- 7** Silverware Basket
- 8** Lower Spray Arm
- 9** Filters
- 10** Serial Label (located on right side of door)
- 11** Rinse Aid Dispenser
- 12** Detergent Dispenser

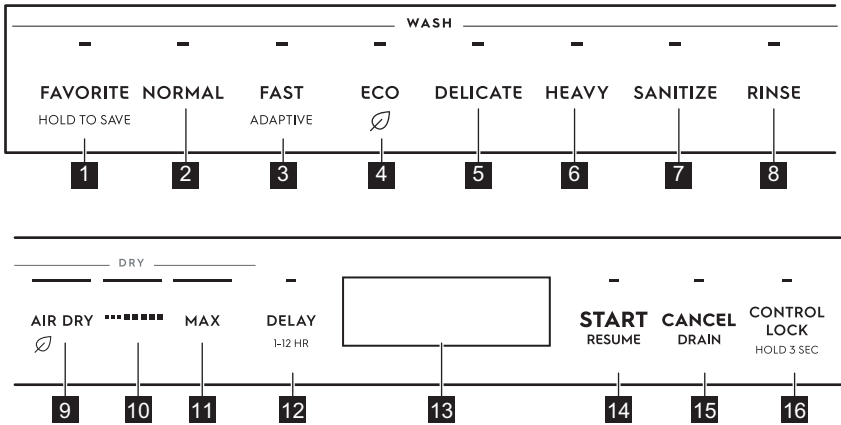
- 13** Bottom Rack
- 14** Middle Spray Arm
- 15** SmartBoost™ Clean Spray Arm
- 16** Stemware Holder
- 17** Cup Shelves
- 18** Tub Gasket

#### NOTE

Racks and Features in your dishwasher model may vary in appearance from illustrations in this manual.

## 3. CONTROLS AND SETTINGS

### 3.1 Control Panel



#### Wash Cycle and Options

Cycle times are approximate and vary by options selected. Hot water is necessary to activate dishwasher detergent and melt fatty food soils.

The Smart Sensor checks the soil level on your dishes in the NORMAL, ECO, SANITIZE and HEAVY cycles. Cycle time and water usage varies based on the amount of soil on the dishes.

#### Making a Selection

Press the desired cycle or option button on the control panel to make a selection. Each button press plays a tone, and the LED light above the selection turns ON when a cycle or option is selected and OFF when deselected.

#### Cycle Selection

Press the cycle button to select your desired cycle. The LED light above the cycle illuminates and the estimated cycle time appears in the status window.

#### To Clear Current Settings:

Press cancel button until the lights on the control panel go out to clear. The last run settings show when the door is opened.

#### NOTE

A default dry setting is automatically selected and an estimated time along with the eco feedback based on all settings are provided in the status window when a wash cycle is selected.

#### NOTE

Not all cycles and options available on all models.

#### NOTE

The dishwasher is programmed to remember your last cycle so you do not have to reset each time. To start the dishwasher using the same cycle and options selected on the previous wash, just press the START pad.

#### 1 FAVORITE

This cycle allows you to program your preferred cycle and options into one button. When saving a favorite for the first time, ensure the desired wash cycle and options are selected, then press the FAVORITE button once to initiate the

program save, then press and hold until the LED stays lit and a tone is heard to save the current settings as a favorite. Press the FAVORITE button once programmed to select the saved cycle and options, press START and immediately close the door to start the cycle.

To save over the current favorite, select new settings to save as the favorite. Press the FAVORITE button to initiate the save, then press and hold the FAVORITE button until it stays lit and a tone is heard to save the new settings. Press the FAVORITE button to display the saved settings and options.



#### **NOTE**

To save the program, hold the FAVORITE button for 3 seconds. The LED above the FAVORITE button does not light if a program is not saved.

#### **2 NORMAL**

For light to heavily soiled dishes and silverware. Water usage ranges from approximately 2.5 to 8 gal. Wash time is about 169 min. with AIR DRY, 176 min. with MEDIUM DRY, and 253 min. with MAX DRY.

#### **3 FAST**

For lightly soiled and pre-rinsed dishes and silverware. Water usage ranges from approximately 3.7 to 8 gal. Wash time is about 50 min. with the AIR DRY, 80 min. with MEDIUM DRY, and 90 min. with MAX DRY.

#### **4 ECO**

For lightly soiled and pre-rinsed dishes and silverware. Water usage ranges from approximately 4.3 to 7.7 gal. Wash time is about 86 min. with AIR DRY, 96 min. with MEDIUM DRY, and 229 min. with MAX DRY. 3 ECO leaf icons illuminate when the ECO cycle is selected.

#### **5 DELICATE**

For lightly soiled China and Crystal. Water usage is approximately 4.9 gal. Wash time is about 74 min. with AIR DRY, 96 min. with MEDIUM DRY, and 189 min. with MAX DRY.

#### **6 HEAVY**

For pots, pans, casserole dishes and dinnerware with dried-on or baked-on soils. Water usage ranges from approximately 7.1 to 8.1 gal. Wash time ranges from approximately 168 to 216 min.

#### **7 SANITIZE**

Select the SANITIZE cycle to sanitize your dishes and glassware. This cycle heats the water temperature in the final rinse to 157°F (69°C) and maintains that temperature for 7 min.

The cycle time is extended until the proper water temperature is reached, and washing continues during the water heating delay. For best results, the incoming water temperature should be at least 120°F (49°C). Wash time is about 231 min. with AIR DRY and with MEDIUM DRY, and 245 min. with MAX DRY. The sanitation criteria may not be satisfied if there is an interruption of the cycle, a power failure occurs, or if incoming water temperature is below 120°F (49°C).

When a sanitized cycle has completed, the SANITIZE LED is illuminated if NSF requirements for sanitization are reached. The LED stays on after the door is opened.

If NSF requirements for sanitization are NOT reached the LED is off at cycle end. The LED starts blinks twice then goes out after the door is opened.

#### **8 RINSE**

For rinsing dishes that will be washed later. Water usage is approximately 2.2 gal. Cycle time is approximately 15 min.

#### **9 AIR DRY**

If the AIR DRY option is selected, the heating element is not used during the dry cycle. This reduces energy consumption and drying performance. Items in the dish load may not be dry at the end of the cycle.

#### **10 Selecting a Dry Setting**

Touch and slide to select a dry setting based on the touch release point. Updates to the cycle time display in the status window. Releasing the slide input

between dry programs selects the MEDIUM DRY program.

- 11** MAX DRY  
The cycle time increases when MAX DRY is selected. The MAX DRY option is not available for the RINSE cycle.

 **NOTE**

If the selected dry setting is unavailable for the selected wash cycle, The LED above the dry option blinks three times and then turns off indicating that the dry option was not selected.

- 12** DELAY  
The DELAY option allows you to automatically delay starting your dishwasher from 1-12 hours. Select your desired cycle and options, then press the DELAY button to advance the delay time in one-hour increments until desired time delay is reached. Pressing the DELAY button displays the delayed time in the status window and illuminates the LED above the DELAY button to indicate a delay is active. The delay time function is canceled if the delay time button is pressed again when 12 hours of the selected delay time. Press and hold the DELAY button to quickly cycle through the delay time from 1-12 hours. Press START and close the door immediately (within 4 seconds). A tone indicating that countdown has started sounds while the Close Door LEDs blink. The selected cycle starts when the countdown is completed. If the cycle was not yet started, to cancel a delay time press the DELAY button until the time returns to zero. If the cycle has started pressing the CANCEL button resets both the cycle and the delay options.  
When a time delay is set for an hour or more and the wash hasn't started, the remaining delay time counts down on the display in full hour increments.  
When the delay time is less than 1h, the remaining delay time counts down in hour and min (0:59), and the delay LED is illuminated during the delay countdown.

- 13** Status Window

The status window indicates the number of delay start hours, the number of minutes left in a cycle, the level of rinse aid dosage, and the cycle prompts.

- 14** START  
The LEDs of the selected cycle and options are illuminated when the cycle and options are selected. The status window displays the cycle time and the START LED blinks.  
Press START and close the dishwasher door immediately (within 4 seconds) to start the cycle.  
Once the START button is pressed the corresponding LED stops blinking and stays on. The CLOSE LED blinks and a reminder tone sounds every 30 seconds until START or CANCEL is pressed or if the door is closed without pressing start. The tone sounds a maximum of 5 times. The blue floor indicator light illuminates to indicate the washer is running. During the cycle, buttons are disabled, displaying the cycle and options selected, and the time left for the wash is displayed on the status window  
If a cycle is paused the floor indicator Light stays ON until the door is opened.

 **NOTE**

The start of the cycle times out if the door is not closed immediately (within 4 seconds) after pressing START.

- 15** CANCEL  
Both a running cycle and a delay countdown can be canceled at any time. Open the dishwasher door and press CANCEL. A tone sounds indicating that the cycle is successfully canceled. If desired, a new cycle can now be selected, by pressing START and closing the door immediately, the new cycle begins.  
If you have selected your cycle and options and decide to cancel, press CANCEL, the unit goes into a stand-by mode and all LED lights turn off.
- 16** CONTROL LOCK  
CONTROL LOCK locks the controls to avoid accidental button presses, for example while cleaning the control panel.

To lock the control panel, press and hold the CONTROL LOCK button. The LED above the button blinks and then stays lit when the controls are locked.

When locked, all lights on the control panel including the CONTROL LOCK LED are off when the door is closed, and only the CONTROL LOCK LED lights when the door is opened.

To unlock the controls, open the door and press and hold the CONTROL LOCK button until it blinks and turns off. The control panel shows the selected last wash and dry cycle after the controls are unlocked

#### NOTE

Release the CONTROL LOCK button before it blinks to keep the control panel locked. Hold the CONTROL LOCK button until it stops blinking and turns off to unlock the controls.

#### NOTE

If you press any buttons while the control lock is active, the CONTROL LOCK LED blinks three times and then stays lit.

## 3.2 Opening the Door During Operation

#### NOTE

Opening the door during normal operation pauses the wash cycle.

Opening the door pauses a running cycle. Pressing the START button stops the corresponding LED from blinking and makes it stay on, while the CLOSE LED blinks. If you do not close the door within 4 seconds, the START LED blinks, and a reminder tone sounds every 30 seconds until you press START or CANCEL. The tone sounds a maximum of 5 times. When you pause a cycle, the floor indicator light stays ON until you open the door. If you close the door without pressing the START button, the floor indicator light turns off. When the cycle is paused, you cannot change the program or options unless you cancel the running one.

## 3.3 Change Options After a Wash or Delayed Wash Starts

A running wash cycle must be canceled to reselect options for a running cycle.

#### NOTE

If the dishwasher door is kept open for too long, or the door is closed without pressing the START button, the running cycle or delay countdown may be canceled.

If the newly selected wash option cannot be selected, the LED button for that option blinks 3 times and then turns off.

## 3.4 To Resume a Wash

When you pause the cycle, the floor indicator light stays ON until you open the door. If you close the door without pressing START, the floor indicator turns off.

When you press the START button, the corresponding LED stops blinking and stays on, and the CLOSE LED blinks. If you do not close the door within 4 seconds, the START LED blinks, and a reminder tone sounds every 30 seconds until you press START or CANCEL. The tone sounds a maximum of 5 times.

Open the door to enable the buttons, press START and close the door within 4 seconds to resume the wash cycle.

The control panel goes into sleep mode if you do not interact with the START button, door, or other buttons for 5 minutes.

## 3.5 Cancel a Wash

Press the CANCEL button to cancel a running wash cycle. When a cycle is canceled, the tub drains either on door close within 4 seconds upon touching the CANCEL button (to avoid soiled water sitting in the tub) or at the beginning of the next wash.

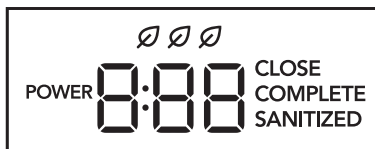
When a wash is canceled, the tub drains of any water for about 1 minute during which the LED above the CANCEL button and the floor indicator light are lit.

**NOTE**

Opening the door while the dishwasher is draining cancels the drain cycle. Draining completes before the next wash starts.

## 4. OPERATING INSTRUCTIONS

### 4.1 Status Window



**The STATUS window, available on some models, indicates the following activity:**

1HR-12HR	Indicates number of delay start hours for selected cycle.
MINUTES	The cycle duration or the remaining time shown in H:MIN the format (ex: 0:30).
L0 - L6	Level of Rinse Aid dosage.
ECO Leaves	Selecting a wash setting automatically selects the default dry setting. Each wash and dry setting displays the Eco feedback above the wash time in the display window. 1, 2, or 3 leaves displays depending on the water and energy required to run the wash cycle and options selected, with one leaf using highest energy consumption and 3 the lowest.

### 4.2 Floor Indicator Light

The display on floor indicates the following activities:

**White**

The wash cycle is complete. The floor indicator light turns off once the door is opened.

**Blue**

The wash cycle is running.

### 4.3 Cycle Completes

When a wash cycle is finished, the COMPLETE LED and the white beam on floor illuminate. These lights remain on until the door is opened.

After the door is opened, all lights on the control panel go off after 15 seconds. Last run settings display on the control panel when the door is opened.

**NOTE**

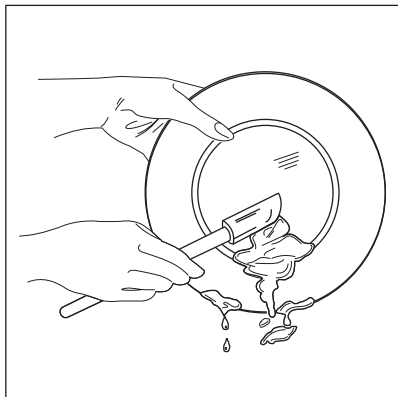
Delay time will not be retained after a wash completes.

### 4.4 Preparing the Dishes

Scrape away large pieces of food, bones, pits, toothpicks, etc. The continuously filtered wash fluid removes remaining food particles. Burned-on foods should be loosened before loading. Empty liquids from glasses and cups.

Foods such as mustard, mayonnaise, vinegar, lemon juice and tomato based products may cause discoloration of stainless steel and plastics if allowed to sit for a long period of time. Unless the dishwasher is to be operated at once, it is best to pre-rinse or use the rinse only cycle to rinse off these food soils.

- Load racks so that large items do not prevent the detergent dispenser from opening.
- Check manufacturer's recommendations before washing items in question.
- If the dishwasher drains into a Food Disposer, be sure disposer is completely empty before starting dishwasher.



**NOTE**

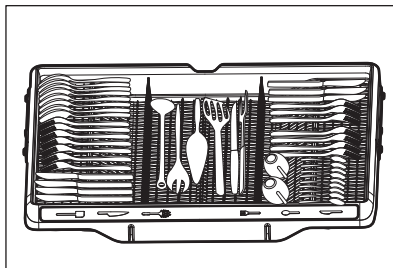
Racks and features in your dishwasher model may vary in appearance from illustrations in this manual.

## 4.5 Loading the Dishes

Features and appearance of racks and silverware basket may vary from your model.

### Loading the Cutlery Rack

The cutlery rack is designed for flatware and most cooking or serving utensils. Heavily soiled utensils or items with baked on foods should be placed in the upper rack or silverware basket for best washing performance. The separators on the cutlery racks help keep flatware separated to avoid damage and improve cleaning.



**NOTE**

Load cutlery as suggested with cutlery handles placed inwards to optimize cleaning performance.

### Loading the Upper Rack

The upper rack is designed for flexibility in loading a wide variety of items including cups, glasses, stemware, small plates, bowls, etc.

- Load glasses and plastic items in upper rack only.
- Load items with open end facing down for better cleaning and draining.
- Long-handled knives and utensils can be placed in upper rack.

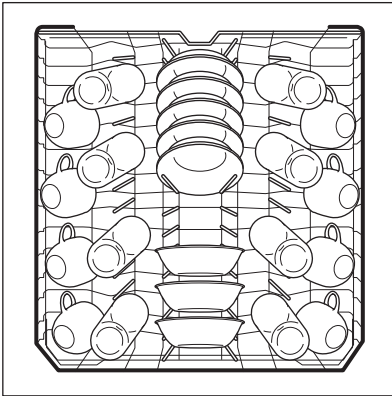
Be sure nothing protrudes through the bottom of the rack to block rotation of the spray arm.

**IMPORTANT**

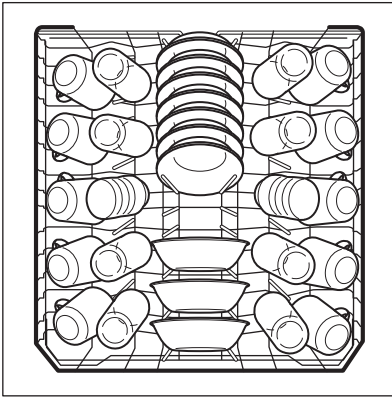
Make sure the loaded items do not interfere with the rotation of the spray arm. Check this by rotating the spray arm by hand.

**IMPORTANT**

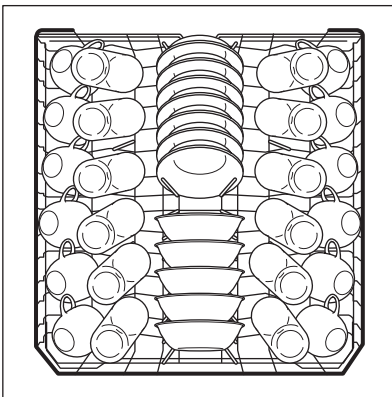
Damage may occur if delicate items touch each other during dishwasher operation.



8 place settings standard loading pattern



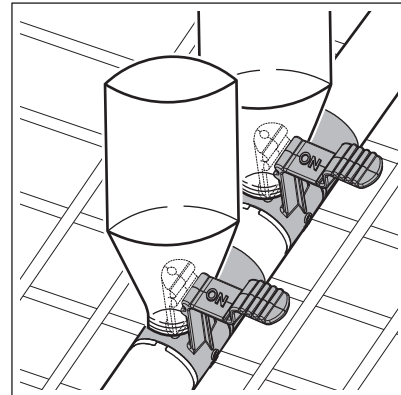
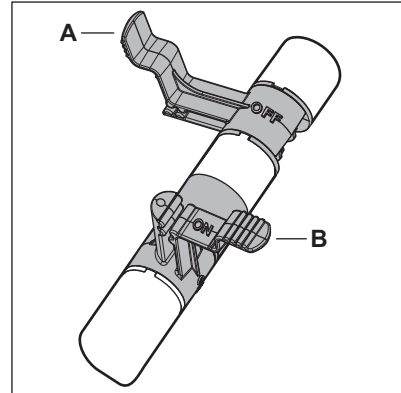
10 place settings standard loading pattern



12 place settings standard loading pattern

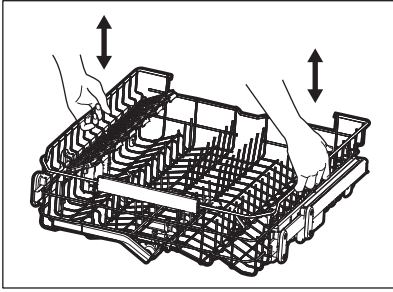
## Flex Wash system

The Flex Wash system gives you the ability to wash the inside areas of baby bottles, narrow glassware and other items. To turn this feature on turn these clips to have them pointing upward (B). To turn off just slide them back down toward the rack (A).



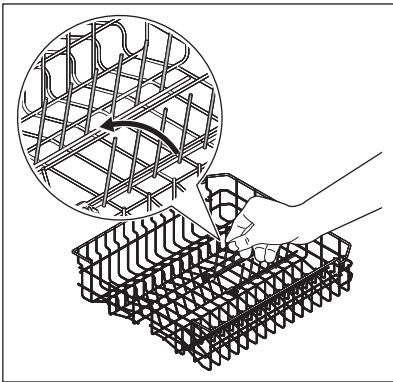
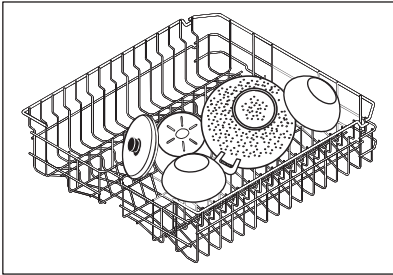
## Adjusting the upper rack

The top rack height can be easily adjusted to accommodate loading taller dishes in either rack. To raise the rack to the upper position, lift rack until both sides are at the same height and the rack secures in place. Ensure that the rack remains level from front to back with both sides at the same height. To lower rack lift the rack slightly then push down and release.



### Fold-Down Tines for Upper Rack

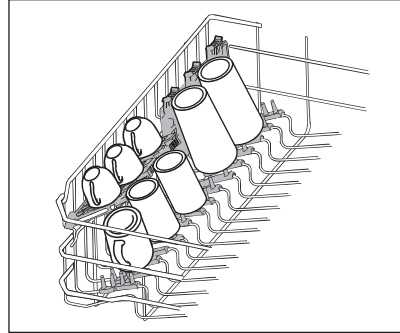
The fold-down tines in the top and bottom racks makes it easy to load those extra large and hard-to-fit items. The tines may be left up for normal use or folded down for more flexible loading.



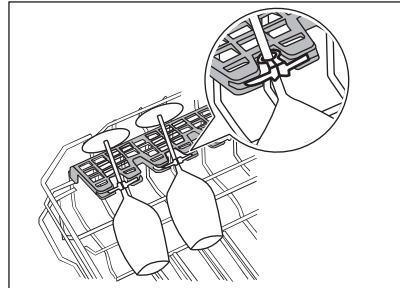
### Cup shelf/stemware holders

The Cup shelf holder can be folded down to be used to load two levels of cups, juice glasses, and other short items or fold down

both and use for long items such as utensils and spatulas. Fold up to load tall glasses.



The Stemware holder is used to securely hold your wine glasses in place for the best wash. To properly secure you glass simply press the stem of the glass into the center of the Cup shelf the plastic pieces secure around the stem to hold the glass in place.



### Loading the Bottom Rack

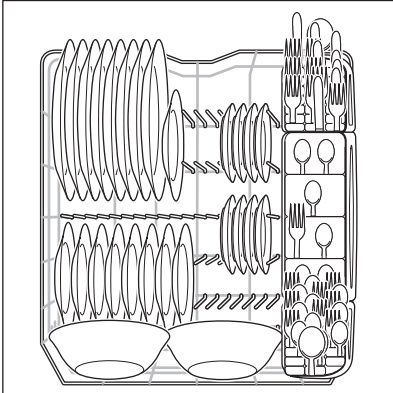
The lower rack is best for plates, saucers, bowls, and cookware. Large items should be placed along the edge so they do not block the spray arm rotation.

For best results, place bowls, casseroles, and sauce pans with soiled surface facing down or toward the center. Tilt slightly for better drainage. Make sure tall items do not block spray arm rotation.

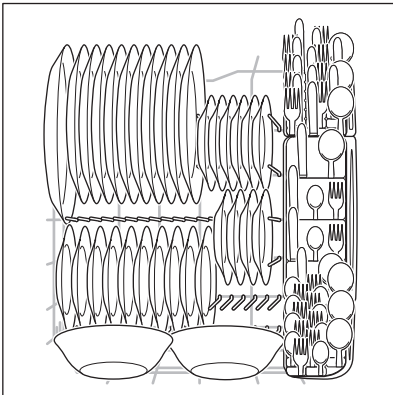
Be sure pan handles do not protrude through the bottom of the rack and block the spray arm rotation.

**▶ IMPORTANT**

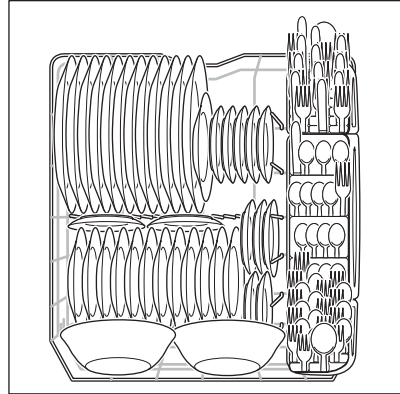
Make sure the loaded items do not interfere with the rotation of the spray arm. Check this by rotating the spray arm by hand.



8 place settings standard loading pattern.



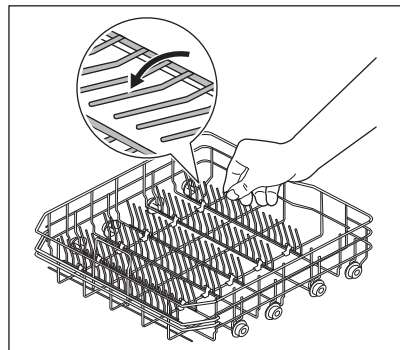
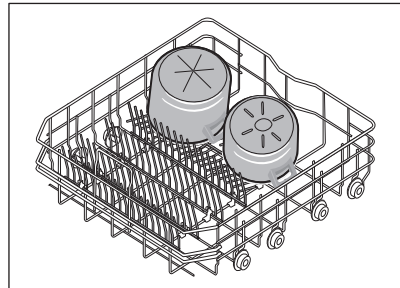
10 place settings standard loading pattern.



12 place settings standard loading pattern.

### Fold-down tines lower rack

The fold-down tines in the top and bottom racks makes it easy to load those extra large and hard-to-fit items. The tines may be left up for normal use or folded down for more flexible loading.



## Loading the Silverware Basket

### **WARNING!**

Load sharp items (knives, skewers, etc.) pointing down. Failure to do so may result in injury.

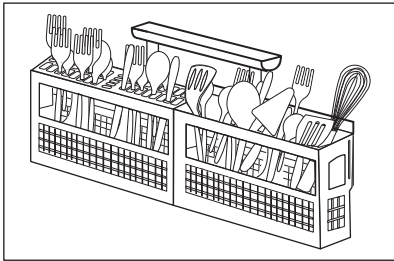
Load the silverware basket while it is in the bottom rack or take the basket out for loading on a counter or table.

In some models small items like baby bottle caps, jar lids, corn cob holders, etc., can be placed in a covered section. Close the cover to hold small items in place.

Use suggested loading patterns, as shown, to increase washability of the silverware.

Be sure nothing protrudes through bottom of basket or rack to block the spray arm.

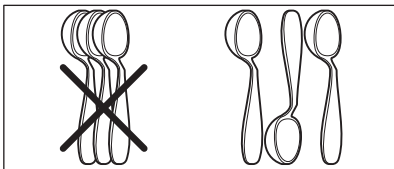
Do not mix silver and stainless to avoid damaging the silver finish.



When covers are up, mix items in each section of the basket with some pointing up and some down to avoid nesting. Water spray cannot reach nested items.

### **IMPORTANT**

Make sure the loaded items do not interfere with the rotation of the spray arm. Check this by rotating the spray arm by hand.



## Adding a Dish

To add or remove items after wash cycle starts:

1. Unlatch door and wait a few seconds until wash action stops before opening
2. Add the item. To resume cycle, press **START** and immediately close the door firmly to latch.

## 4.6 Dishwasher dispenser and detergents

### SmartBoost™ Clean

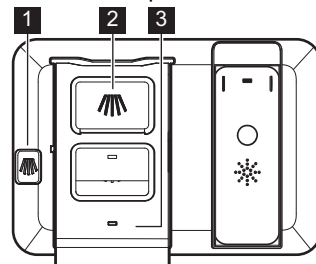
This dishwasher includes the SmartBoost™ Clean system. SmartBoost™ Clean features a separate spray arm that directly sprays the detergent compartment which aids in dissolving detergent faster. This reduces detergent residue left on the dishes and in the dish compartment.

### Filling the Detergent Dispenser

The detergent dispenser has one covered cup. The covered cup opens automatically to release detergent.

To add detergent:

1. Press the dispenser cover latch to open the main wash detergent cup.
2. Add the recommended amount of detergent to the main wash cup.
3. Slide the main wash cover back over the main wash cup to close.



- Use only fresh automatic dishwashing detergent. Other detergents may cause oversudsing.

- When using automatic dishwashing detergent tabs, place one tab in main wash cup and close.
- Add detergent just before starting cycle.
- Store detergent in a cool, dry location. Moist or caked detergent may not dissolve properly.

**NOTE**

Hard water may cause lime deposit buildup on the interior of the dishwasher. For cleaning instructions see "Removing Spots and Film" section.

**CAUTION!**

The use of industrial grade detergent can damage parts of the dishwasher leading to damage to the unit and surrounding property. Use only household grade automatic dishwasher detergent

## How much detergent to use

The amount of detergent to use depends on the water hardness. Water hardness is measured in grains per gallon. Using too little detergent can result in poor cleaning and hard water filming or spotting. Using too much detergent in soft water can cause etching to some glassware which is surface damage that appears like a film but cannot be wiped off. Your local water company, water softener company or county extension agent can tell you the water hardness in your area.

## Dosage of detergent

Place a single detergent tablet or packet into the detergent dispenser compartment.

## Detergent usage chart

Water Hardness	Soft Water (0-3 grains)	Medium Hard Water (4-8 grains)	Hard Water (9-12 grains)
Amount (teaspoons)	4 teaspoons	6 teaspoons	8 teaspoons
Dispenser cup level:	first line	second line	full

## Filling the rinse aid dispenser

Rinse aid greatly improves drying, reduces water spots, filming, and lubricates wash arm bearing for proper rotation. With it water "sheets" off dishes rather than forming water droplets that cling and leave spots.

A dispenser, located next to the detergent cup, automatically releases a measured amount of rinse aid during the last rinse. If spotting and poor drying are problems, increase the amount of rinse aid dispensed. The indicator is dark when full.

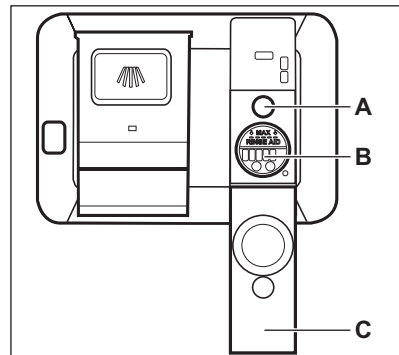
To add liquid rinse aid:

1. Lift up the rinse aid cover to open.
2. Fill the rinse aid dispenser with liquid rinse aid until the liquid reaches the indicated fill level. DO NOT overfill.
3. Press the rinse aid cover down firmly to close.
4. Wipe up any spills with a damp cloth.

**NOTE**

When using multi-product detergent tablets or All-In-One packs with a rinse aid component, the rinse aid dispenser should be set at the lowest setting (L1).

The dispenser holds enough for 11 to 66 washes, depending on setting.



- A. Indicator
- B. Rinse Aid Compartment

**NOTE**

Not selecting the AIR DRY option in combination with rinse aid enhances drying performance. The energy required to use the AIR DRY option saves pennies per cycle. You may choose to select the AIR DRY option; however, some items in your dish load may not be completely dry at the end of the cycle.

**How to adjust the rinse aid setting**

The rinse aid dosage setting is shown in the status window.



**C. Rinse Aid Cover**

1. Press and hold NORMAL + DELAY for 3 seconds until the status window shows the current rinse aid setting LO-L6.
2. Press the DELAY button to cycle through to the desired level
3. Press START or wait 5 seconds to confirm the selected setting. The setting blinks in the status window, and an audible beep confirms it is saved.

**NOTE**

Set the rinse aid dispenser to the lowest setting (L1) when using multiproduct detergents that have a rinse aid component added to the detergent.

**5. CARE AND CLEANING**

**5.1 Cleaning**

**Outside**

Occasionally wipe with a mild nonabrasive detergent and water. Rinse and dry.

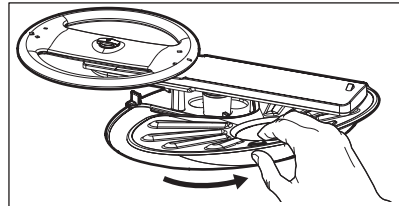
**Care of drain air gap**

If a drain air gap was installed for your built-in dishwasher, check to make sure it is clean so the dishwasher drains properly. A drain air gap is usually mounted on the counter top and can be inspected by removing the cover. This is not part of your dishwasher and is not covered by warranty.

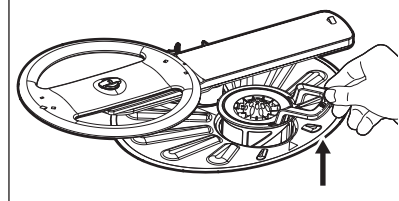
**Clean the cylinder fine filter**

The Cylinder Fine Filter is designed to collect some big items such as broken glass, bones and pits. The Cylinder Fine Filter needs to be cleaned to maximize wash performance.

Remove the Cylinder Fine Filter as shown:

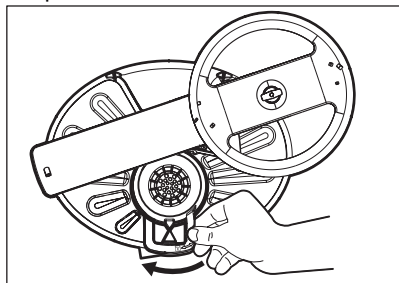


1. Rotate it counterclockwise to unlock.



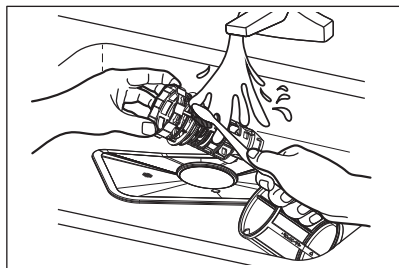
2. Lift it out and empty the contents.
3. Clean the filter by rinsing under running water and replace. It may be necessary to use a sponge or bottle brush to remove excess food residue. To replace the fine filter, press down and rotate clockwise until the arrows are aligned. A mechanical

click indicates that the filter is firmly in place.



### Clean the coarse filter

Take out the Cylinder Fine Filter and remove the Coarse Filter from the dishwasher tub bottom. Flush the Coarse Filter by holding it under running water and replace.



### Winterizing

A dishwasher left in an unheated place should be protected from freezing. Have a qualified person do the following:

#### To Disconnect Service:

1. Turn off electrical power to the dishwasher at the supply source by removing fuses or tripping circuit breaker.
2. Shut off water supply.
3. Place a pan under the inlet valve. Disconnect water line from inlet valve and drain into pan.
4. Disconnect drain line from pump and drain water into pan.

#### To Restore Service:

1. Reconnect the water, drain, and electrical power supply.

2. Turn on water and electrical power supply.
3. Fill both detergent cups and run dishwasher through a HEAVY WASH cycle.
4. Check connections to make sure they do not leak.

#### CAUTION!

Freezing temperatures may cause water lines to rupture. Be sure all supply lines to and circulating lines within your dishwasher are protected. Failure to do so could result in property damage.

#### NOTE

See Installation Instructions for more details on disconnecting and restoring service to your dishwasher.

#### NOTE

If the dishwasher door is opened while the unit is running, the START/CANCEL button must be pressed and the door shut immediately to return the unit to the selected cycle and option. This must happen within 10 minutes for the unit to continue the cycle.

### Removing Spots and Film

Hard water can cause lime deposit buildup on the interior of the dishwasher. Dishes and glasses may also get spots and film for a number of reasons. (See Glassware/Flatware Spotted or Cloudy section). To remove buildup, and film, clean using the following instructions:

1. Load clean dishes and glasses in normal manner. Do not load any metal utensils or silverware.
2. Do not add detergent.
3. Select the NORMAL cycle. Press START. Close and latch the door.
4. Allow dishwasher to run until it starts the second water fill (approximately 10 minutes).
5. Open the door, pour 2 cups of white vinegar into the bottom of dishwasher.
6. Press START. Close and latch door and allow cycle to finish.

## 6. SAVING ENERGY

### 6.1 Energy use

The yellow energy guide label that came on your unit tells how much energy it would use in one year and how it compares to others that are available. The energy is based on the NORMAL cycle response to tests that apply soils and dishware that simulate the average use. Eight place settings of dishware and some serving pieces are used during the test. The total energy is based on running the average number of cycles per year, applying typical soil levels to the dishware and half the time, selecting the option of using extra energy to more fully dry the dishware. Actual energy and water use depend upon the cycle and options you select.

This unit uses an in-line water heating element that is located under the tub. There is no exposed heater that plasticware might come in contact with or that is accessible to touch. The heat is taken to the dishware through the heated water. For this reason, plastic dishware may be placed where it best fits in either the top or bottom rack. Temperatures are uniform throughout the dishwasher.

If the user prefers to save energy and dry the dishes by hand they select the AIR DRY option. If you prefer to spend slightly more energy to get the dishes drier select one of the heated dry options. In response the wash and rinse temperatures in the cycle increase.

This aids cleaning and also heats the dishwasher. When all standing water is

removed in the final drain, the extra heat stored in the dishware acts to evaporate the remaining water.

In general, more energy is used when more water and heat are used in a cycle. Several cycles, such as the NORMAL cycle, change based on soil level, options selected, and ambient conditions. The NORMAL cycle is good for all around use. Other cycles are focused toward special use like the HEAVY cycle that is designed for heavily solid cookware.

### 6.2 DishSense™ technology

Your unit has DishSense™ Technology that works to sense how heavily soiled the dish load is so the cycle is automatically adjusted to the appropriate response. This helps to prevent energy waste. The sensor is calibrated at the end of each cycle. and assures a clean load.

#### NOTE

For the first cycle after power is applied (when first installed or after a power failure) the sensor is not calibrated and cannot determine the soil load. Therefore, the unit provides a response suitable for heavily soiled dishes on the first run after power is restored. Energy use during this first run may be higher than would be typical.

## 7. NORMAL OPERATING SOUNDS

### 7.1 Normal operating sounds

Your dishwasher uses energy efficient motors for the wash and drain portions of the cycle you select. Each cycle has a series of water fills and drains for washing and rinsing dishes. As each cycle begins, you may or may not hear the drain motor. You may also hear the splashing of water as it enters the tub and the spray arms as they rotate and

circulate water. The wash motor often pulsates throughout the cycle, which varies water pressure and optimizes performance.

### 7.2 Normal operating lights

Your dishwasher buttons light up when the cycle and option are selected. All cycle and option buttons have an LED that lights white when selected. Deselected buttons are turned off when the control lock is active.

## 8. TROUBLESHOOTING

### 8.1 Factors affecting performance

#### Water Pressure

The hot water line to dishwasher must provide water pressure between 20 and 120 psi.

Low Water pressure may occur when laundry or showers are in operation. If you experience poor wash performance you may need to wait until water use is reduced before starting dishwasher.

#### Water Temperature

Hot water is needed for best dishwashing and drying results. Water entering dishwasher should be at least 120°F (49°C) to give satisfactory results.

To check water temperature entering dishwasher:

- Turn on hot water faucet nearest dishwasher for several minutes to clear cool water from pipes.
- Hold a candy or meat thermometer in the water stream to check the temperature.
- If temperature is below 120°F (49°C), have a qualified person raise the hot water heater thermostat setting.

#### IMPORTANT

Before starting a cycle, run hot water to clear cool water from pipe.

#### Power Alert

The dishwasher stops temporarily if a period of abnormal voltage occurs while the dishwasher is running.

#### NOTE

A power abnormality is when the voltage is either too low or too high to properly run appliances or electronic devices. A power outage is when no power is available to run any electronic devices.

During this time the UI displays 2 dashes and a POWER message with a lit START LED.



Once the voltage returns to normal, the dishwasher automatically resumes the wash cycle if the door has not been opened. If the door is opened during the abnormal power condition, press start and close the door within 4 second for the cycle to resume when power returns to normal.

The POWER indicator in the status window turns off once power is returned to normal.

If power becomes abnormal during cycle selection, the START LED goes out and the status window displays the POWER message and 2 dashes.

#### NOTE

The buttons on the control panel may be disabled when voltage is too low for the dishwasher to operate.

#### Resume the wash after power outage

When power is restored, the control panel lights up for 3 seconds while the dishwasher starts up. After startup completes, the wash settings of where the cycle left off display on the control panel and status window. The POWER message displays in the status window and the START LED blinks to indicate power was out. The control panel stays in this state until any button other than CANCEL is pressed. Pressing CANCEL cancels the cycle.



To resume a wash cycle after a power outage, open the door to show where the

wash settings left off. Press START to resume the wash cycle.

Touch any button except START or CANCEL to acknowledge a power alert without resuming a wash.



**NOTE**

The control panel times out in 4 seconds if the START button is not pressed after opening the door. The start button must be pressed to resume the wash if power is lost and then restored during a running cycle.

If a power outage occurs during a wash delay, the dishwasher restarts upon power restoration. When the restart is complete, upon opening the door, the remaining delay time countdown shows up in the status window.

If power is lost during cycle selection, once power is restored, the control panel lights up for 3 seconds while the dishwasher starts up. After start-up completes, cycle selections can then be made if the door is open.

## User Instruction Code

Instruction Code	Problem	Solution
Close	This indicates the door is left open or not properly latched.	Ensuring the door is properly latched clears the display. This does not indicate a problem with your dishwasher and service does not need to be contacted.

## Error Codes

Error Code	Problem	Solution
E10	A low fill is detected.	Look for a pinched water supply line, or water shut-off is not completely opened.
E20; E40; EF0	Clogged filters or a restricted drain line is detected.	Check and clean both filters and sump area and check for a pinched or blocked drain hose. If the drain line is attached to a disposer, check that the knockout plug is removed.
E30	A leak or overflow of water is detected in the bottom pan.	Look for loose connections at the water inlet valve and ensure the unit is properly leveled.
E50	A problem is detected with the drain or wash motor.	Pressing the CANCEL button or turning power off at the breaker for 5 min. should clear this error code and the unit can be restarted.
E60	A problem is detected with the water heating system.	Call for service if this does not resolve the problem.
EC0	A problem is detected with the electronic control system.	

Press the cancel button or turn power off at the breaker for 5 minutes for all Error code instances. If this does not resolve the problem, contact the Electrolux Customer Care Center at 1-877-435-3287.

## 8.2 Before You Call:

Before calling for service, review this list. It may save you both time and expense. This list includes common experiences that are not the result of defective workmanship or material in your dishwasher.



PROBLEM	POSSIBLE CAUSES/SOLUTIONS
Food soils left on dishes	<ul style="list-style-type: none"> <li>• Choose another cycle for longer washing time.</li> <li>• Choose the HI TEMP wash option.</li> <li>• Check rack loading section for proper loading.</li> <li>• Avoid nesting items.</li> <li>• Home water pressure may be too low-should be 20 to 120 pounds per square inch (psi).</li> <li>• Check incoming water temperature. It should be about 120°F (49°C). (See Factors Affecting Performance.)</li> <li>• Check water hardness. For extremely hard water, it may be necessary to install a water softener. (See Detergent Chart).</li> <li>• Use Fresh Detergent.</li> <li>• Make sure items are not blocking the spray arms, preventing them from rotating.</li> </ul>
Dishes not dry	<ul style="list-style-type: none"> <li>• Select heat dry option.</li> <li>• Make sure the rinse aid dispenser is filled.</li> <li>• Increase the discharge setting of rinse aid. (See Rinse Aid).</li> <li>• Check the incoming water temperature. Be sure it is at least 120°F (49°C).</li> <li>• Check for proper loading-avoid nesting items.</li> <li>• Plastic items may need to be towel dried.</li> <li>• Cups with a concave bottom will collect water. Load them at the far left of the upper rack so they will be held in a tilted position.</li> </ul>
Glassware/ flatware spotted or cloudy	<ul style="list-style-type: none"> <li>• Check water hardness. For extremely hard water, it may be necessary to install a water softener. (See Detergent Chart).</li> <li>• Water temperature may be low. Avoid extremely low or high temperatures. (See Factors Affecting Performance).</li> <li>• Avoid overloading and improper loading. (See Preparing And Loading the Dishes).</li> <li>• Use fresh detergent. Old detergent is ineffective.</li> <li>• Make sure rinse aid dispenser is filled.</li> <li>• Check to see that proper amount of detergent is being used for cycle selected. Also, check phosphate level. (See Detergent Dispenser).</li> <li>• Home water pressure may be too low - it should be 20 to 120 pounds per square inch (psi).</li> </ul>

PROBLEM	POSSIBLE CAUSES/SOLUTIONS
Dishware chipped	<ul style="list-style-type: none"> <li>• Load with care and do not overload. (See Preparing and Loading Dishes).</li> <li>• Place delicate items in top rack.</li> <li>• Place glasses securely against pins and not over pins.</li> <li>• Load items so they are secure and don't jar loose when moving racks in and out. Move racks in and out slowly</li> <li>• Make sure tall glasses and stemware will clear top of tub when rack is pushed in.</li> </ul>
Water in bottom of tub	<ul style="list-style-type: none"> <li>• Water left in the tub bottom after the cycle is complete is not normal. If water remains in the bottom of the tub, the dishwasher may not be draining properly. (See Dishwasher does not drain properly).</li> </ul>
Dishware stained or discolored	<ul style="list-style-type: none"> <li>• Tea and coffee can stain cups. Remove the stains by hand washing in a solution of 1/2 cup (120 ml) bleach and one quart (1L) of warm water. Rinse thoroughly.</li> <li>• Iron deposits in water can cause a yellow or brown film. A special filter installed in the water supply line will correct this problem. (See Removing Spots and Film).</li> <li>• Aluminum utensils can leave gray/black marks when they rub against other items. Load Properly.</li> <li>• Certain high acid foods can cause discoloration of stainless steel and plastics if allowed to sit for a long period. Use the RINSE cycle or rinse by hand if not operating dishwasher at once.</li> <li>• Mixing stainless steel and silver utensils in silverware basket can cause pitting of the stainless steel blades. Avoid mixing stainless steel and silver.</li> </ul>
Cycle takes a long time	<ul style="list-style-type: none"> <li>• Is cycle in a water heating delay?</li> <li>• Has the DELAY option been selected?</li> <li>• Has the SANITIZE option been selected?</li> </ul>
Normal sounds you will hear	<ul style="list-style-type: none"> <li>• Normal sounds include water fill, water circulation and motor sounds.</li> </ul>
Dishwasher leaks	<ul style="list-style-type: none"> <li>• Use only fresh detergent designed for automatic dishwashers. Measure detergent carefully. Try a different brand.</li> </ul>
Etching	<ul style="list-style-type: none"> <li>• Using too much detergent especially in soft or softened water causes damage that looks like a film but cannot be removed.</li> <li>• Adjust the amount of detergent based on the water hardness. (Check Detergent Chart).</li> <li>• Lower the water temperature.</li> </ul>

PROBLEM	POSSIBLE CAUSES/SOLUTIONS
Detergent left in dispenser cup	<ul style="list-style-type: none"> <li>• Detergent may be old. Discard and use fresh detergent.</li> <li>• Be sure the dish load doesn't block spray from entering the detergent cup.</li> <li>• Check to see if cycle has been completed.</li> <li>• Make sure items do not prevent the detergent dispenser from opening.</li> </ul>
Vapor at vent	<ul style="list-style-type: none"> <li>• Water vapor escapes from the vent during the drying part of cycle. This is normal.</li> <li>• Spilled rinse aid can cause foam and lead to overflowing. Wipe up any spills with a damp cloth.</li> <li>• Check to see that dishwasher is level. (See Installation Instructions).</li> </ul>
Dishwasher won't run or fill (error code E10)	<ul style="list-style-type: none"> <li>• Check to see if circuit breaker is tripped or if a fuse is blown.</li> <li>• Check that the water supply is turned on and the pressure of the water supply is not too low. (Contact your local water company).</li> <li>• Check that the water tap is open and is not clogged.</li> <li>• Check that the cycle is set correctly. (See Operating Instructions).</li> <li>• Check that the dishwasher is not set for DELAY.</li> <li>• Check that the door is closed and latched.</li> <li>• Check to that the filter in the inlet hose is not clogged and is free of kinks and bends.</li> </ul>
Dishwasher does not drain properly (error code E20)	<ul style="list-style-type: none"> <li>• If unit is hooked up to a food waste disposer, make sure the disposer is empty.</li> <li>• Check to see if the knockout plug has been removed from inside the food waste disposer inlet.</li> <li>• Check the sink spigot is not clogged.</li> <li>• Check to see if drain hose is free of kinks and bends.</li> <li>• Check to see if the cycle is complete, not in a pause.</li> </ul>
Dishwasher has an odor	<ul style="list-style-type: none"> <li>• Soiled dishes left in dishwasher too long can create an odor. Use the RINSE cycle.</li> <li>• There will be a "new" smell when first installed. This is normal.</li> <li>• Check to see if unit is draining properly. (See Dishwasher Does Not Drain Properly).</li> </ul>
Stains on tub interior	<ul style="list-style-type: none"> <li>• Washing large amounts of dishware with tomato based soil can cause a pink/orange appearance. This will not affect performance and will gradually fade over time. Pre-rinsing or using the RINSE cycle will reduce the chance of staining. Using no heat dry option will lessen staining.</li> </ul>

## 9. LIMITED WARRANTY

Your appliance is covered by a one year limited warranty. For one year from your original date of purchase, Electrolux will pay all costs for repairing or replacing any parts of this appliance that prove to be defective in materials or workmanship when such appliance is installed, used and maintained in accordance with the provided instructions.

### Exclusions

This warranty does not cover the following:

1. Products with original serial numbers that have been removed, altered or cannot be readily determined.
2. Product that has been transferred from its original owner to another party or removed outside the USA or Canada.
3. Rust on the interior or exterior of the unit.
4. Products purchased "as-is" are not covered by this warranty.
5. Food loss due to any refrigerator or freezer failures.
6. Products used in a commercial setting.
7. Service calls which do not involve malfunction or defects in materials or workmanship, or for appliances not in ordinary household use or used other than in accordance with the provided instructions.
8. Service calls to correct the installation of your appliance or to instruct you how to use your appliance.
9. Expenses for making the appliance accessible for servicing, such as removal of trim, cupboards, shelves, etc., which are not a part of the appliance when it is shipped from the factory.
10. Service calls to repair or replace appliance light bulbs, air filters, water filters, other consumables, or knobs, handles, or other cosmetic parts.
11. Surcharges including, but not limited to, any after hour, weekend, or holiday service calls, tolls, ferry trip charges, or mileage expense for service calls to remote areas, including the state of Alaska.
12. Damages to the finish of appliance or home incurred during installation,

including but not limited to floors, cabinets, walls, etc.

13. Damages caused by: services performed by unauthorized service companies; use of parts other than genuine Electrolux parts or parts obtained from persons other than authorized service companies; or external causes such as abuse, misuse, inadequate power supply, accidents, fires, or acts of God.

### Disclaimer of implied warranties;

### Limitation of remedies

CUSTOMER'S SOLE AND EXCLUSIVE REMEDY UNDER THIS LIMITED WARRANTY SHALL BE PRODUCT REPAIR OR REPLACEMENT AS PROVIDED HEREIN. CLAIMS BASED ON IMPLIED WARRANTIES, INCLUDING WARRANTIES OF MERCHANTABILITY OR FITNESS FOR A PARTICULAR PURPOSE, ARE LIMITED TO ONE YEAR OR THE SHORTEST PERIOD ALLOWED BY LAW, BUT NOT LESS THAN ONE YEAR. ELECTROLUX SHALL NOT BE LIABLE FOR CONSEQUENTIAL OR INCIDENTAL DAMAGES SUCH AS PROPERTY DAMAGE AND INCIDENTAL EXPENSES RESULTING FROM ANY BREACH OF THIS WRITTEN LIMITED WARRANTY OR ANY IMPLIED WARRANTY. SOME STATES AND PROVINCES DO NOT ALLOW THE EXCLUSION OR LIMITATION OF INCIDENTAL OR CONSEQUENTIAL DAMAGES, OR LIMITATIONS ON THE DURATION OF IMPLIED WARRANTIES, SO THESE LIMITATIONS OR EXCLUSIONS MAY NOT APPLY TO YOU. THIS WRITTEN WARRANTY GIVES YOU SPECIFIC LEGAL RIGHTS. YOU MAY ALSO HAVE OTHER RIGHTS THAT VARY FROM STATE TO STATE.

### If You Need Service

Keep your receipt, delivery slip, or some other appropriate payment record to establish the warranty period should service be required. If service is performed, it is in your best interest to obtain and keep all receipts. Service under this warranty must be obtained

by contacting Electrolux at the addresses or phone numbers below.

This warranty only applies in the USA and Canada. In the USA, your appliance is warranted by Electrolux Major Appliances North America, a division of Electrolux Consumer Products, Inc. In Canada, your appliance is warranted by Electrolux Canada Corp. Electrolux authorizes no person to change or add to any obligations under this warranty. Obligations for service and parts under this warranty must be performed by Electrolux or an authorized service company. Product features or specifications as described or illustrated are subject to change without notice.

**USA**

**1-800-374-4432**

Frigidaire

10200 David Taylor Drive

Charlotte, NC 28262

**Canada**

**1-800-265-8352**

Electrolux Canada Corp.

5855 Terry Fox Way

Mississauga, Ontario, Canada L5V 3E4



A series of 20 horizontal dotted lines for writing.

A series of 20 horizontal dotted lines for writing.

**electrolux.com**

117824330-A-142025

