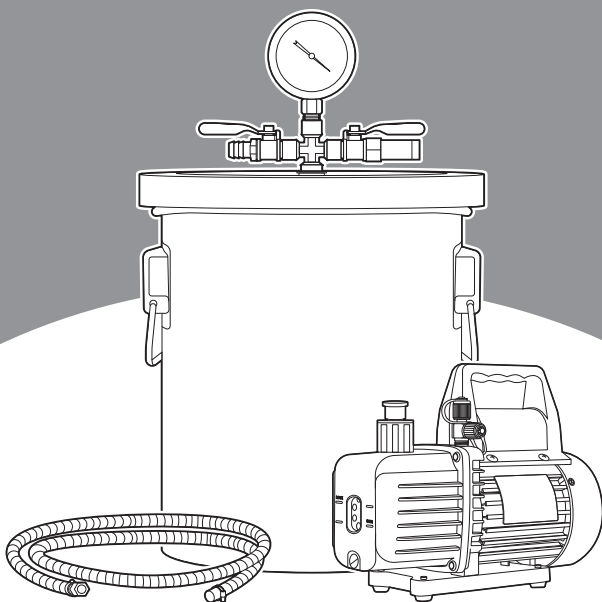


VIVOHOME

# HOW-TO

USER MANUAL



## Vacuum Chamber with Pump

**Assembly is EASY!**

**WE WANT  
YOU TO  
ENJOY LIFE  
AT HOME**

**GO TO THE PRODUCT LISTING PAGE  
FOR AN INSTRUCTIONAL VIDEO!**

# CONTENTS

Safety Instructions .....	1
Package Contents .....	2
Assembly Notes .....	3
Assembly Instructions .....	4
Fault Self-check .....	5
Precautions .....	6
Warranty .....	7

# Safety Instructions

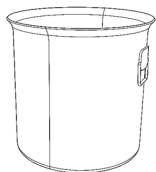


1. When using the product, use all due caution as they are under vacuum pressure and can implode, causing damage or injury. The pot body will fail at some point if vacuum pressures exceeding 29 Hg.
2. Vacuum gauges for these vacuum chambers read from 0 to minus 30 inches of mercury (inHg or Hg), while the best and acceptable reading normally go to between 27 and 29 Hg. Once the vacuum gauge needle reaches full vacuum, the needle will stop moving. This is a critical point, close the vent valve on the opposite side of the hose barb valve, and turn the pump off to stop vacuuming.
3. Some users tend to leave the vacuum pump on even after the gauge needle has stopped moving (and has reached full vacuum). The problem with this is that somewhere beyond 29 Hg (or when the gauge needle stops moving) is a point that will cause the vacuum chamber to become distorted. Your vacuum gauge may not ever read 29 Hg, it may only read 27 or thereabout, but wherever the gauge needle stops is when you should turn the vacuum pump off and stop the process.
4. These vacuum chambers are only tested to 29 Hg and will operate safely within ranges of 0 to 29 Hg. The chambers will not distort at these vacuum pressures.
5. Never exceed full vacuum pressure, and never leave the chamber unattended under vacuum for extended periods. Failure to do so may damage the device or cause severe injury.
6. Do not allow the vacuum pump to overheat.

**NOTE:** This user manual is generic for model 3 GALLONS & 5 GALLONS.

Model	3 GALLON	5 GALLON
Overall Dimensions (D x H)	25*25CM (9.84*9.84 inch)	30*30CM (11.81*11.81 inch)

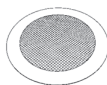
# Package Contents



Chamber x 1



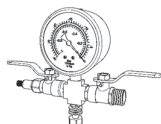
Lid x 1



Mesh x 1



Accessory box x 1



Gauge x 1



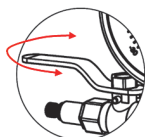
Hose x 1



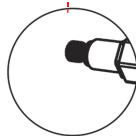
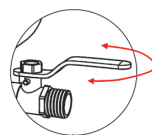
Vacuum Pump x 1

## Key points of intake and exhaust:

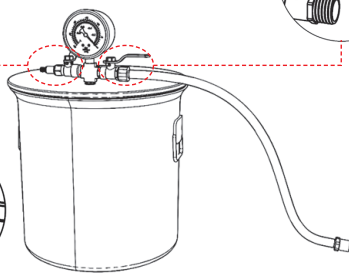
Air Intake Switch



Air Exhaust Switch

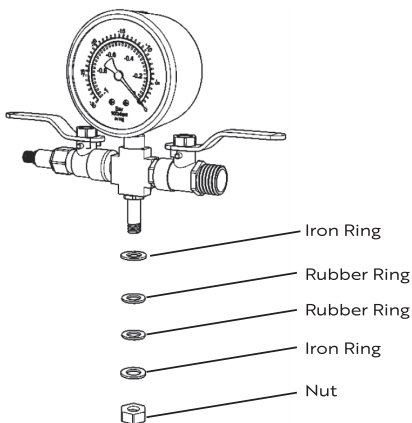


Noise Eliminating Valve



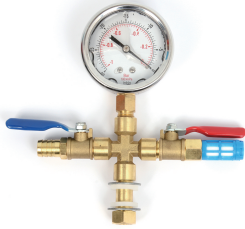


1. Before assembly, ensure the sealing rubber ring is installed on the chamber. The thicker part of the rubber ring should face upward.
2. After placing the degassing material in the chamber, place the mesh in the chamber.
3. Make sure that all parts are in the correct order, as follows:





Step 1: Connect the vacuum gauge to the filter, as shown in the picture.



Step 2: Connect the lid with a rubber ring. Install the vacuum gauge and shut-off valve as shown in the picture.



Step 3: Put the lid on the vacuum chamber, Check tightness.



Step 4: Connect the vacuum chamber and the vacuum pump.



Step 5: Remove the Exhaust and Oil inlet fitting, pour into the pump oil, then tighten the Exhaust and Oil inlet fitting, remove the dust cap. Start the vacuum pump. Press the vacuum chamber. Be sure to keep it sealed.



## SECTION E

# Fault Self-check



- If the gauge could not return to 0 after intaking air, try taking out the plug of the gauge and put it back.
- If the gauge still could not return to 0, put the plug back and run your air pump on the chamber for a while. The gauge should return to 0.
- If it still could not return to 0, it means the gauge is defective. Replace the gauge.

# Precautions



1. When covering the vacuum chamber, please pay attention to put it in the correct position without deviation. If the cover is placed unevenly, the vacuum chamber may not be able to maintain vacuum and the cover may be sucked into the vacuum chamber. The consequences caused by this are at your own risk.
2. It is not recommended to vacuum defoam with other highly corrosive liquids, the volatilization of highly corrosive gases may cause cracks to the lid (for example: wood stabilizer and acrylic).
3. If the vacuum gauge pointer is not at zero, or the maximum vacuum cannot be reached, try opening the black cover on the top of the vacuum gauge and calibrating the pointer to the correct value.
4. After the vacuum pump is refueled, when connecting the pipe, be sure to tighten the screws, otherwise the vacuum cannot be achieved.
5. If the vacuum does not achieve the desired effect, you can slowly open the red valve under the vacuum gauge during defoaming. You do not need to open it completely and repeat it several times. Or you can close the blue valve under the vacuum gauge and let it maintain pressure for a while.
6. After vacuuming, the valve must be opened slowly, otherwise the vacuum gauge may be damaged.
7. If the vacuum does not form when the cover is closed, just press the front and back of the panel slightly. It will not affect normal use. (The silicone ring will be slightly deformed after being bent for a long time, and it will return to normal after a period of time. This is a normal phenomenon.)



The VIVOHOME warranty program is our commitment to you. We are committed to providing you with a high-quality product that meets your needs and expectations. To demonstrate our confidence in the durability and performance of our products, we offer the following warranty.

## Warranty Coverage

This warranty program applies to any orders, purchases, receipts, or use of any products sold by VIVOHOME and is valid for a period of 1 year from the date of purchase. However, please note that this warranty period is only valid for the original order. If you receive a replacement order during the warranty period, it will not include a separate warranty period.

## Warranty Exclusions

This warranty does not cover damage resulting from misuse, accident, unauthorized modification, or any other circumstances not directly related to the manufacturing and design of the product, including but not limited to:

- Parts lost during use.
- Normal wear and tear of products or parts.
- Incorrect installation (such as using the wrong voltage) or assembly.
- Exceeding the bearing capacity of the product.
- Use under extremely harsh conditions.
- Improper cleaning or maintenance.
- Damage caused by any reason other than the intended use of the product.
- Indirect loss or damage caused by the product.

## How to Make a Warranty Claim

If you find any defects that affect the use of the product or if the product stops working and cannot be repaired during the warranty period, please contact our customer service team at our email or via Amazon & app's direct messaging service as soon as possible. Provide the following information to expedite the process:

- Order number
- Images and/or videos illustrating the issue
- A detailed description of the problem

VIVOHOME will provide technical support, replacement, refund, or other solutions based on the nature of the issue. If you wish to return the original package for any reason, please contact us for confirmation before proceeding. You can expect to receive a response within 48 hours.

Thank you for choosing VIVOHOME. We are committed to ensuring the quality and satisfaction of your purchase. If you have any questions or need assistance, please do not hesitate to contact our customer service team.

VIVOHOME

**THANK  
YOU!**

**NOTE:**

To continuously improve its products, VIVOHOME reserves the right to modify this information without prior notification.

For any questions regarding assembly, please watch the video on the product page or contact our customer service. Our customer service will gladly assist you with any additional questions, comments, or concerns.

Thank you for using VIVOHOME products in your home!

Thank You for Purchasing from

**VIVOHOME**

Made in China