



User Guide

Side by Side Refrigerator



LEARN MORE

In an effort to conserve natural resources, this refrigerator includes a condensed User Guide. A complete User Instructions manual for your model can be downloaded at www.maytag.com/manuals. The model number is located on the inside wall of the refrigerator compartment.

For assistance or service, call **1-800-253-1301** in the U.S.A. or **1-800-807-6777** in Canada.

Register your refrigerator at www.maytag.com. In Canada, register at www.maytag.ca.

Para instrucciones en español, visite www.maytag.com.

Your safety and the safety of others are very important.

We have provided many important safety messages in this manual and on your appliance. Always read and obey all safety messages.



This is the safety alert symbol.

This symbol alerts you to potential hazards that can kill or hurt you and others.

All safety messages will follow the safety alert symbol and either the word "DANGER" or "WARNING."

These words mean:

DANGER

You can be killed or seriously injured if you don't immediately follow instructions.

WARNING

You can be killed or seriously injured if you don't follow instructions.

All safety messages will tell you what the potential hazard is, tell you how to reduce the chance of injury, and tell you what can happen if the instructions are not followed.

IMPORTANT SAFETY INSTRUCTIONS

WARNING: To reduce the risk of fire, electric shock, or injury when using your refrigerator, follow these basic precautions:

- Plug into a grounded 3 prong outlet.
- Do not remove ground prong.
- Do not use an adapter.
- Do not use an extension cord.
- Disconnect power before servicing.
- Replace all parts and panels before operating.
- Remove doors from your old refrigerator.
- Use nonflammable cleaner.
- Keep flammable materials and vapors, such as gasoline, away from refrigerator.
- Use two or more people to move and install refrigerator.
- Disconnect power before installing ice maker (on ice maker kit ready models only).
- Use a sturdy glass when dispensing ice (on some models).
- Do not hit the refrigerator glass doors (on some models).

SAVE THESE INSTRUCTIONS

State of California Proposition 65 Warnings:

WARNING: This product contains one or more chemicals known to the State of California to cause cancer.

WARNING: This product contains one or more chemicals known to the State of California to cause birth defects or other reproductive harm.

PROPER DISPOSAL OF YOUR OLD REFRIGERATOR

WARNING

Suffocation Hazard

Remove doors from your old refrigerator.

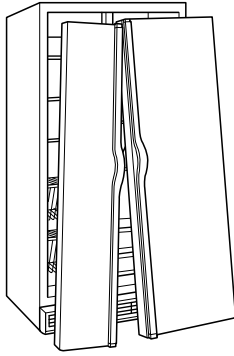
Failure to do so can result in death or brain damage.

IMPORTANT: Child entrapment and suffocation are not problems of the past. Junked or abandoned refrigerators are still dangerous, even if they will sit for "just a few days." If you are getting rid of your old refrigerator, please follow these instructions to help prevent accidents.



Before You Throw Away Your Old Refrigerator or Freezer:

- Take off the doors.
- Leave the shelves in place so that children may not easily climb inside.



Important information to know about disposal of refrigerants:

Dispose of refrigerator in accordance with Federal and Local regulations. Refrigerants must be evacuated by a licensed, EPA certified refrigerant technician in accordance with established procedures.

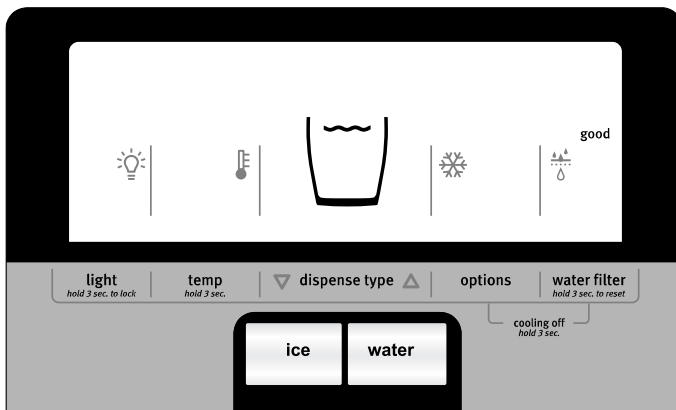
OPERATING YOUR REFRIGERATOR

Using the Controls

The refrigerator and freezer controls are located on the dispenser panel.

IMPORTANT: The display screen on the dispenser control panel will turn off automatically and enter “sleep” mode when the control buttons and dispenser pad have not been used for 2 minutes or more. While in “sleep” mode, the first press of a control button will only reactivate the display screen, without changing any settings.

- Touch any control button on the dispenser panel to activate the display screen. The home screen will appear as shown.



Adjusting the Controls

For your convenience, your refrigerator and freezer controls are preset at the factory. When you first install your refrigerator, make sure that the controls are still set to the “mid-settings.” The factory recommended set points are 37°F (3°C) for the refrigerator and 0°F (-18°C) for the freezer.

IMPORTANT:

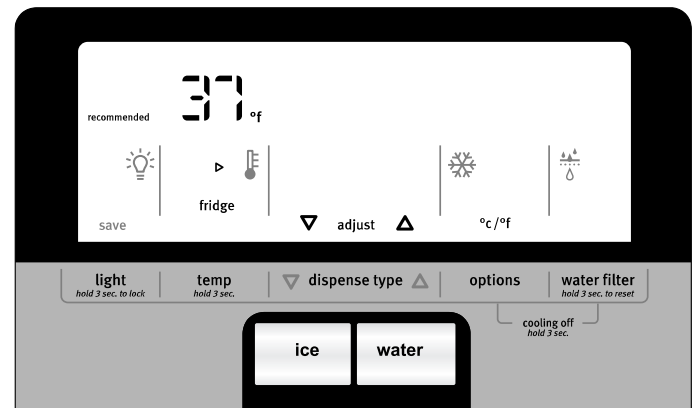
- Wait 24 hours before you put food into the refrigerator. If you add food before the refrigerator has cooled completely, your food may spoil.

NOTE: Adjusting the set points to a colder than recommended setting will not cool the compartments any faster.

- If the temperature is too warm or too cold in the refrigerator or freezer, first check the air vents to be sure they are not blocked before adjusting the controls.

- The preset settings should be correct for normal household usage. The controls are set correctly when milk or juice is as cold as you like and when ice cream is firm.
- Wait at least 24 hours between adjustments. Recheck the temperatures before other adjustments are made.

To view and adjust the set points, press and hold the TEMP button for 3 seconds. When adjust mode is activated, adjusting information will appear on the display screen.



NOTE: To view Celsius temperatures, press the OPTIONS button when adjust mode is activated. To return the display setting to Fahrenheit, press OPTIONS again.

- When adjust mode is activated, the display screen shows the refrigerator set point and “FRIDGE” appears.
- Press the DISPENSE TYPE arrows to raise or lower the set point.
- When you have finished viewing (and adjusting if desired) the refrigerator set point, press TEMP to change the display to show the freezer set point. When the zone has been changed, “FREEZER” appears on the display screen.
- Press the DISPENSE TYPE arrows to raise or lower the set point.
- When you have finished viewing (and adjusting if desired) both the refrigerator and freezer set points, press LIGHT to save the settings.

NOTE: To exit without saving changes, allow about 60 seconds of inactivity and adjust mode will turn off automatically.

When adjusting temperature set points, use the following chart as a guide.

| CONDITION: | TEMPERATURE ADJUSTMENT: |
|-----------------------------------|--------------------------------|
| REFRIGERATOR too cold | REFRIGERATOR Setting 1° higher |
| REFRIGERATOR too warm | REFRIGERATOR Setting 1° lower |
| FREEZER too cold | FREEZER Setting 1° higher |
| FREEZER too warm / Too little ice | FREEZER Setting 1° lower |

The set point range for the refrigerator is 33°F to 45°F (0°C to 7°C). The set point range for the freezer is -5°F to 5°F (-21°C to -15°C).

Cooling On/Off

Your refrigerator and freezer will not cool when cooling is turned off.

- To turn cooling off, press and hold the **OPTIONS** and **FILTER** buttons at the same time for 3 seconds.
IMPORTANT: To avoid unintentionally locking the dispenser or changing other settings, be sure to press both buttons at exactly the same time.
When cooling is off, “COOLING OFF” will appear on the display screen.
- Press and hold **OPTIONS** and **FILTER** for 3 seconds again to turn cooling back on.

Additional Features

Fast Ice and SpeedCool

The Fast Ice feature assists with temporary periods of heavy ice use by increasing ice production over a 24-hour period.

The SpeedCool feature assists with periods of heavy ice usage, full grocery loads, or temporarily warm room temperatures.

- To turn on the Fast Ice feature, press **OPTIONS**. “Fast Ice” will appear on the display screen.
The Fast Ice feature will remain on for 24 hours unless manually turned off.
- To turn on the SpeedCool feature, press **OPTIONS** a second time. The Fast Ice feature will turn off, and the SpeedCool feature will turn on. “SpeedCool” will appear on the display screen.
The SpeedCool feature will remain on for 24 hours unless manually turned off.
- To turn on both the Fast Ice and SpeedCool features at the same time, press **OPTIONS** a third time. Both “Fast Ice” and “SpeedCool” will appear on the display screen.
Both features will remain on for 24 hours unless manually turned off.
- To turn both features off, press **OPTIONS** a fourth time. Both “Fast Ice” and “SpeedCool” will disappear from the display screen.

When Fast Ice and/or SpeedCool are active, the temperature displays will not change. After 24 hours, the refrigerator returns to the previous temperature set points.

NOTE: If increased ice production is desired at all times, change the freezer control to a lower setting. Setting the freezer to a colder temperature may make some foods, such as ice cream, harder.

Door Ajar Alarm

The Door Ajar Alarm feature sounds an alarm when the refrigerator or freezer door is open for 5 minutes and the product cooling is turned on. The alarm will repeat every 2 minutes. Close both doors to turn it off. The feature then resets and will reactivate when either door is left open again for 5 minutes.

NOTE: To mute the audible alarm while keeping the doors open, such as while cleaning the inside of the refrigerator, press any button on the control panel. The alarm sound will be temporarily turned off, but “Door Ajar” will still be displayed on the dispenser control panel.

Disabling Sounds

- To turn off all control and dispenser sounds, press and hold **LIGHT** and **FILTER** at the same time for 3 seconds.
- To turn all sounds back on, press and hold **LIGHT** and **FILTER** at the same time for 3 seconds again.

Dual Evaporator (on some models)

Some models come equipped with a dual sequential evaporation system, which includes two separate evaporators for the refrigerator and freezer compartments.

Dual evaporation results in higher humidity, which helps keep foods in the refrigerator from spoiling as quickly and improves food quality and freshness in the freezer due to decreased freezer burn. In addition, the dual evaporation system helps keep food smells in the refrigerator from transferring to ice in the freezer.

NOTE: The dual evaporation system is always activated when your refrigerator is operating. You do not need to press any buttons to turn it on.

Convertible Drawer Temperature Control (on some models)

The control can be adjusted to properly chill meats or vegetables. The air inside the pan is cooled to avoid “spot” freezing and can be set to keep meats at the National Livestock and Meat Board recommended storage temperatures of 28° to 32°F (-2° to 0°C).

To store meat:

Set the control to one of the three **MEAT** settings to store meat at its optimal storage temperature.

To store vegetables:

Set the control to **VEG** to store vegetables at their optimal storage temperatures.

NOTE: If food starts to freeze, move the control to the right (less cold), toward the **VEG** setting. Remember to wait 24 hours between adjustments.

Crisper Humidity Control (on some models)

You can control the amount of humidity in the moisture-sealed crisper. Adjust the control to any setting between **LOW** and **HIGH**.

LOW (open) for best storage of fruits and vegetables with skins.

HIGH (closed) for best storage of fresh, leafy vegetables.

ICE AND WATER

Water and Ice Dispensers

NOTES:

- The dispensing system will not operate when either door (refrigerator or freezer) is open.
- Allow 24 hours for the refrigerator to cool down and chill water.
- Allow 24 hours to produce the first batch of ice. Discard the first three batches of ice produced. Wait 72 hours for full ice production.
- The display screen on the dispenser control panel will turn off automatically and enter “sleep” mode when the control buttons and dispenser pad have not been used for 2 minutes or more. While in “sleep” mode, the first press of a control button will only reactivate the display screen, without changing any settings.

Flush the Water System

Air in the water dispensing system can cause the water dispenser to drip. After connecting the refrigerator to a water source or replacing the water filter, flush the water system. Flushing the water dispensing system forces air from the water line and filter, and prepares the water filter for use.

NOTE: As air is cleared from the system, water may spurt out of the dispenser.

1. Using a sturdy container, depress and hold the water dispenser pad for 5 seconds, then release it for 5 seconds.
2. Repeat Step 1 until water begins to flow.
3. Once water begins to flow, continue depressing and releasing the dispenser pad (5 seconds on, 5 seconds off) until a total of 3 gal. (12 L) has been dispensed.

Additional flushing may be required in some households.

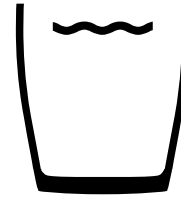
The Water Dispenser

IMPORTANT:

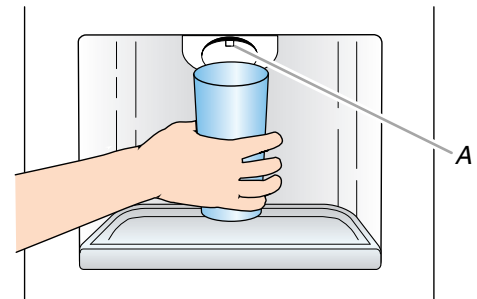
- Dispense at least 1 qt (1 L) of water every week to maintain a fresh supply.
- If the flow of water from the dispenser decreases, it could be caused by low water pressure.
 - With the water filter removed, dispense 1 cup (237 mL) of water. If 1 cup of water is dispensed in 8 seconds or less, the water pressure to the refrigerator meets the minimum requirement.
 - If it takes longer than 8 seconds to dispense 1 cup of water, the water pressure to the refrigerator is lower than recommended. See “Water Supply Requirements” (in the User Instructions or the Installation Instructions and Owner’s Manual) or “Problem Solver” for suggestions.

To Dispense Water:

1. Press the DISPENSE TYPE arrows on the dispenser control panel, until “Water” is selected.



2. To dispense water, press a sturdy glass against the dispenser pad OR press the WATER button. Hold the glass close to the water dispenser spout to ensure that the water dispenses into the glass.



A. Water dispenser spout

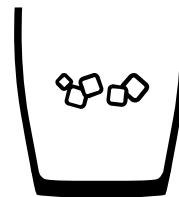
3. To stop dispensing, remove the glass from the dispenser pad OR release the WATER button.

The Ice Dispenser

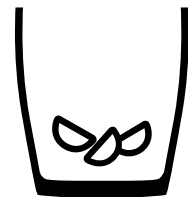
Ice dispenses from the ice maker storage bin in the freezer when the dispenser pad is pressed. To turn off the ice maker, see “Ice Maker and Storage Bin.”

Your ice maker can produce both crushed and cubed ice. Before dispensing ice, select which type of ice you prefer by pressing the DISPENSE TYPE arrows.

The display screen indicates which type of ice is selected.



CRUSHED

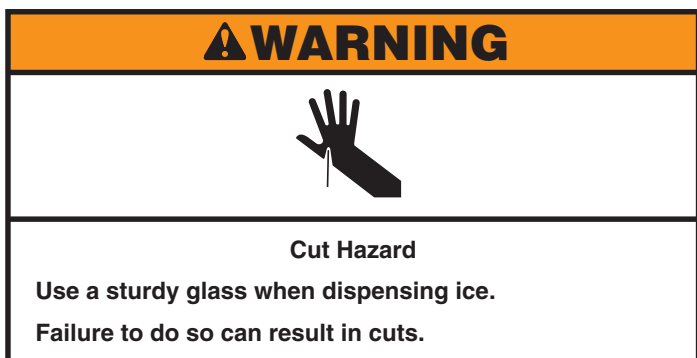


CUBED

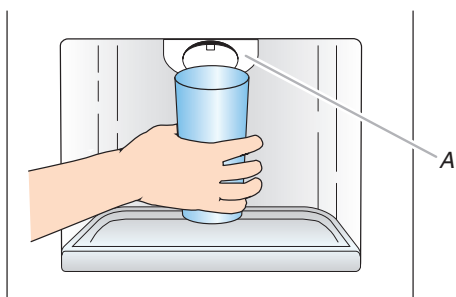
For crushed ice, cubes are crushed before being dispensed. This may cause a slight delay when dispensing crushed ice. Noise from the ice crusher is normal, and pieces of ice may vary in size. When changing from crushed to cubed, a few ounces of crushed ice will be dispensed along with the first cubes.

To Dispense Ice:

1. Make sure the desired type of ice is selected. To switch between cubed and crushed, press the DISPENSE TYPE arrows.



2. To dispense ice, press a sturdy glass against the dispenser pad OR press the ICE button. Hold the glass close to the ice guide to ensure that the ice dispenses into the glass.



IMPORTANT: You do not need to apply a lot of pressure to the pad in order to activate the ice dispenser. Pressing hard will not make the ice dispense faster or in greater quantities.

3. To stop dispensing, remove the glass from the dispenser pad OR release the ICE button.

NOTE: Ice may continue to dispense for several seconds after removing the glass from the pad. The dispenser may continue to make noise for a few seconds after dispensing.

The Dispenser Light

When you use the dispenser, the light will automatically turn on. If you want the light to be on continuously, you may choose either ON or DIM.

ON: Press LIGHT to turn the dispenser light on. "On" will appear on the display screen.

DIM: Press LIGHT a second time to select DIM mode. "Dim" will appear on the display screen. The dispenser light will remain on, but at a lower intensity.

OFF: Press LIGHT a third time to turn the dispenser light off.

The dispenser lights are LEDs that cannot be changed. If it appears that your dispenser lights are not working, see "Problem Solver" for more information.

The Dispenser Lock

The dispenser can be turned off for easy cleaning or to avoid unintentional dispensing by small children and pets.

NOTE: The lock feature does not shut off power to the refrigerator, to the ice maker, or to the dispenser light. It simply deactivates the controls and dispenser pad. To turn off the ice maker, see "Ice Maker and Storage Bin."

- Press and hold LIGHT for 3 seconds to lock the dispenser. "Dispenser Locked" will appear on the display screen.
- Press and hold LIGHT a second time to unlock the dispenser.

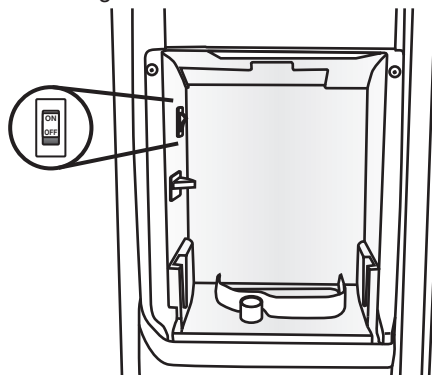
Ice Maker and Storage Bin

- Allow 24 hours to produce the first batch of ice. Discard the first three batches of ice produced.
- The quality of your ice will be only as good as the quality of the water supplied to your ice maker. Avoid connecting the ice maker to a softened water supply. Water softener chemicals (such as salt) can damage parts of the ice maker and lead to poor quality ice. If a softened water supply cannot be avoided, make sure the water softener is operating properly and is well maintained.
- Do not use anything sharp to break up the ice in the storage bin. This can cause damage to the ice container and the dispenser mechanism.
- Do not store anything on top of or in the ice maker or storage bin.

Style 1

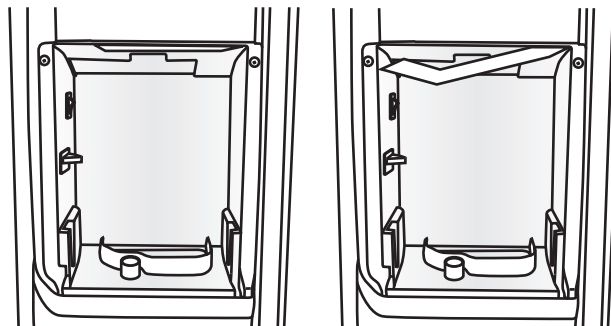
Turning the Ice Maker On/Off:

The On/Off switch, located on the left wall of the freezer door, can only be accessed when the ice storage bin has been removed. See the following section for bin removal instructions.



- To turn on the ice maker, flip the switch to the ON (up) position.
- To manually turn off the ice maker, flip the switch to the OFF (down) position.

NOTE: The ice maker has an automatic shutoff to keep the storage bin from overflowing during normal operation. As ice is made, the ice cubes will fill the ice storage bin, and the ice cubes will raise the shutoff arm to the OFF (arm up) position. When the storage bin is at full capacity, the ice maker will automatically stop ice production, but the ice maker On/Off switch will remain in the ON (up) position.

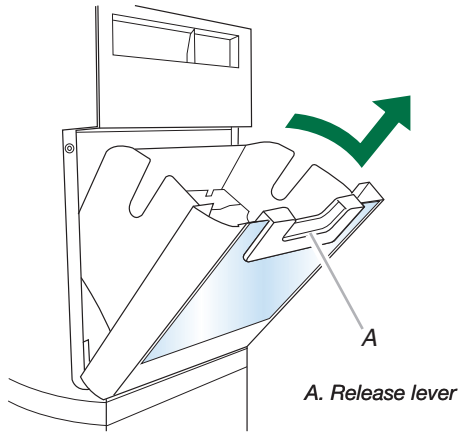


Ice production OFF
(Shutoff arm UP)

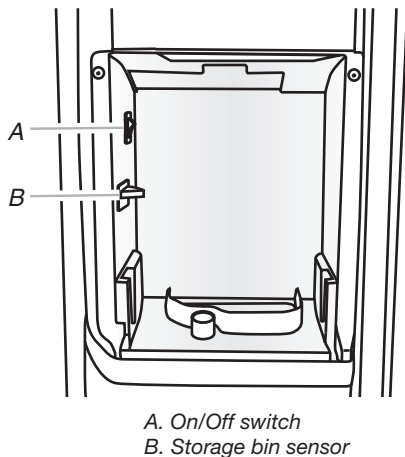
Ice production ON
(Shutoff arm DOWN)

Removing and Replacing the Ice Storage Bin:

1. Press down the release lever and tilt the bucket outward. Use both hands to hold the base of the storage bin, then lift it up and out.



NOTE: It is not necessary to flip the ice maker On/Off switch to the OFF (down) position when removing the storage bin. The storage bin sensor, located on the right wall of the freezer door, stops the ice maker from producing ice if the door is open or the storage bin is removed.



2. Replace the bin by sliding it onto the door, then tilting it back into an upright position. The release lever will click when the bin is securely in place.

Style 2

Turning the Ice Maker On/Off:

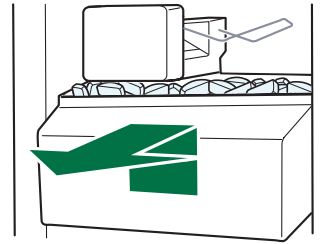
- To turn ON the ice maker, simply lower the wire shutoff arm.
- To manually turn off the ice maker, lift the wire shutoff arm to the OFF (arm up) position and listen for the click. Ice can still be dispensed, but no more can be made.

NOTE: The ice maker has an automatic shutoff to keep the storage bin from overflowing during normal operation. As ice is made, the ice cubes will fill the ice storage bin, and the ice cubes will raise the wire shutoff arm to the OFF (arm up) position. Do not force the wire shutoff arm up or down.

Removing and Replacing the Ice Storage Bin:

1. Pull the covering panel up from the bottom.
2. Lift the wire shutoff arm so it clicks into the OFF (up) position.

3. Lift up the front of the storage bin and pull it out.



4. Replace the bin by pushing it in all the way or the dispenser will not work.
5. To restart ice production, lower the wire shutoff arm into the ON (down) position. Make sure the door is closed tightly.

Water Filtration System

Do not use with water that is microbiologically unsafe or of unknown quality without adequate disinfection before or after the system. Systems certified for cyst reduction may be used on disinfected waters that may contain filterable cysts.

Water Filter Status Light

The water filter status light will help you know when to change your water filter.

- When the dispenser control panel's water filter status display changes to "ORDER," this tells you that it is almost time to change the water filter cartridge.
- Replace the water filter cartridge when the water filter status display changes to "REPLACE."

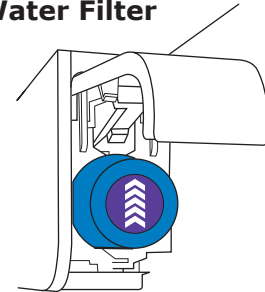
NOTE: If water flow to your water dispenser or ice maker decreases noticeably, change the filter sooner. The filter should be replaced at least every 6 months, depending on your water quality and usage.

Resetting the Filter Status

- After changing the water filter, reset the status light by pressing and holding the FILTER button for 3 seconds.

When the system is reset, the "ORDER" and "REPLACE" icons will disappear from the display screen.

Changing the Water Filter



1. Locate the water filter in the top-right corner of the refrigerator compartment.
2. Lift open the filter cover door. The filter will be released and then be ejected as the door is opened.
3. When the door is completely open, pull the filter straight out.
NOTE: There may be some water in the filter. Some spilling may occur. Use a towel to wipe up any spills.
4. Take the new filter out of its packaging and remove the cap. Be sure the O-rings are still in place after the cap is removed.
5. With the arrow pointing up, align the new filter with the filter housing and slide it into place. The filter cover door will automatically begin to close as the new filter is inserted.
6. Close the filter cover door completely in order to snap the filter into place. You may need to press hard.
7. Flush the water system. See "Water and Ice Dispensers."

ACCESSORIES

The following accessories are available for your refrigerator.

To order an accessory: Contact us and ask for the part number listed, or contact your authorized dealer.

In the U.S.A., call **1-800-688-9900** or visit www.maytag.com/accessories.

In Canada, call **1-800-807-6777** or visit www.whirlpoolparts.ca.

affresh® Stainless Steel Cleaner:

Order Part #W10355016

In Canada, order Part #W10355016B

affresh® Stainless Steel Wipes:

Order Part #W10355049

In Canada, order Part #W10355049B

affresh® Kitchen & Appliance Cleaner:

Order Part #W10355010

In Canada, order Part #W10355010B

Water Filter:

Order Part #W10295370A (P4RFWB)

Air Filter:

Order Part #W10311524

Produce Preserver:

Order Part #W10346771

PROBLEM SOLVER



For recommendations that may help you avoid a service call, scan the code at left with your mobile device, or visit www.maytag.com/product_help.

For a complete Problem Solver listing with more information about additional topics, see the Installation Instructions and Owner's Manual provided with your refrigerator, or visit our website and download the User Instructions for your model.

WARRANTY

MAYTAG® REFRIGERATION LIMITED WARRANTY

ATTACH YOUR RECEIPT HERE. PROOF OF PURCHASE IS REQUIRED TO OBTAIN WARRANTY SERVICE.

Please have the following information available when you call the Customer eXperience Center:

- Name, address and telephone number
- Model number and serial number
- A clear, detailed description of the problem
- Proof of purchase including dealer or retailer name and address

IF YOU NEED SERVICE:

1. Before contacting us to arrange service, please determine whether your product requires repair. Some questions can be addressed without service. Please take a few minutes to review the Troubleshooting or Problem Solver section of the Use and Care Guide, scan the QR code on the right to access additional resources, or visit https://www.maytag.com/product_help.
2. All warranty service is provided exclusively by our authorized Maytag Service Providers. In the U.S. and Canada, direct all requests for warranty service to:

Maytag Customer eXperience Center

In the U.S.A., call 1-800-688-9900. In Canada, call 1-800-807-6777.

If outside the 50 United States or Canada, contact your authorized Maytag dealer to determine whether another warranty applies.



https://www.maytag.com/product_help

WHAT IS COVERED

FIRST YEAR LIMITED WARRANTY (PARTS AND LABOR)

For one year from the date of purchase, when this major appliance is installed, operated and maintained according to instructions attached to or furnished with the product, Maytag brand of Whirlpool Corporation or Whirlpool Canada, LP (hereafter "Maytag") will pay for factory specified replacement parts and repair labor to correct defects in materials or workmanship that existed when this major appliance was purchased, or at its sole discretion replace the product. In the event of product replacement, your appliance will be warranted for the remaining term of the original unit's warranty period.

SECOND THROUGH TENTH YEAR LIMITED WARRANTY (COMPRESSOR ONLY - LABOR NOT INCLUDED)

In the second through tenth years from the date of original purchase, when this major appliance is installed, operated and maintained according to instructions attached to or furnished with the product, Maytag will pay for a factory specified replacement compressor to correct non-cosmetic defects in materials or workmanship in this part that prevent function of the refrigerator and that existed when this major appliance was purchased. This limited 10-year warranty is for the compressor only and does not include labor.

YOUR SOLE AND EXCLUSIVE REMEDY UNDER THIS LIMITED WARRANTY SHALL BE PRODUCT REPAIR AS PROVIDED HEREIN. Service must be provided by a Maytag designated service company. This limited warranty is valid only in the United States or Canada and applies only when the major appliance is used in the country in which it was purchased. This limited warranty is effective from the date of original consumer purchase. Proof of original purchase date is required to obtain service under this limited warranty.

WHAT IS NOT COVERED

1. Commercial, non-residential or multiple-family use, or use inconsistent with published user, operator or installation instructions.
2. In-home Instruction on how to use your product.
3. Service to correct improper product maintenance or installation, installation not in accordance with electrical or plumbing codes or correction of household electrical or plumbing (i.e. house wiring, fuses or water inlet hoses).
4. Consumable parts (i.e. light bulbs, batteries, air or water filters, preservation solutions, etc.).
5. Defects or damage caused by the use of non-genuine Maytag parts or accessories.
6. Damage from accident, misuse, abuse, fire, floods, acts of God or use with products not approved by Maytag.
7. Repairs to parts or systems to correct product damage or defects caused by unauthorized service, alteration or modification of the appliance.
8. Cosmetic damage including scratches, dents, chips, and other damage to appliance finishes unless such damage results from defects in materials and workmanship and is reported to Maytag within 30 days.
9. Discoloration, rust or oxidation of surfaces resulting from caustic or corrosive environments including but not limited to high salt concentrations, high moisture or humidity or exposure to chemicals.
10. Food or medicine loss due to product failure.
11. Pick-up or delivery. This product is intended for in-home repair.
12. Travel or transportation expenses for service in remote locations where an authorized Maytag servicer is not available.
13. Removal or reinstallation of inaccessible appliances or built-in fixtures (i.e. trim, decorative panels, flooring, cabinetry, islands, countertops, drywall, etc.) that interfere with servicing, removal or replacement of the product.
14. Service or parts for appliances with original model/serial numbers removed, altered or not easily determined.

The cost of repair or replacement under these excluded circumstances shall be borne by the customer.

DISCLAIMER OF IMPLIED WARRANTIES

IMPLIED WARRANTIES, INCLUDING ANY IMPLIED WARRANTY OF MERCHANTABILITY OR IMPLIED WARRANTY OF FITNESS FOR A PARTICULAR PURPOSE, ARE LIMITED TO ONE YEAR OR THE SHORTEST PERIOD ALLOWED BY LAW. Some states and provinces do not allow limitations on the duration of implied warranties of merchantability or fitness, so this limitation may not apply to you. This warranty gives you specific legal rights, and you also may have other rights that vary from state to state or province to province.

DISCLAIMER OF REPRESENTATIONS OUTSIDE OF WARRANTY

Maytag makes no representations about the quality, durability, or need for service or repair of this major appliance other than the representations contained in this warranty. If you want a longer or more comprehensive warranty than the limited warranty that comes with this major appliance, you should ask Maytag or your retailer about buying an extended warranty.

LIMITATION OF REMEDIES; EXCLUSION OF INCIDENTAL AND CONSEQUENTIAL DAMAGES

YOUR SOLE AND EXCLUSIVE REMEDY UNDER THIS LIMITED WARRANTY SHALL BE PRODUCT REPAIR AS PROVIDED HEREIN. MAYTAG SHALL NOT BE LIABLE FOR INCIDENTAL OR CONSEQUENTIAL DAMAGES. Some states and provinces do not allow the exclusion or limitation of incidental or consequential damages, so these limitations and exclusions may not apply to you. This warranty gives you specific legal rights, and you also may have other rights that vary from state to state or province to province.



EN SAVOIR PLUS

Afin de conserver les ressources naturelles, ce réfrigérateur comprend un guide d'utilisation rapide. L'utilisateur trouvera un guide d'utilisation téléchargeable complet (correspondant au modèle utilisé) à l'adresse www.maytag.ca. Le numéro de modèle se trouve sur la paroi interne du compartiment de réfrigération.

Pour assistance ou service, composer le **1-800-253-1301** aux É.-U. ou composer le **1-800-807-6777** au Canada.

Enregistrer le réfrigérateur sur www.maytag.com. Au Canada, enregistrer sur www.maytag.ca.

Para instrucciones en español, visite www.maytag.com.

Votre sécurité et celle des autres est très importante.

Nous donnons de nombreux messages de sécurité importants dans ce manuel et sur votre appareil ménager. Assurez-vous de toujours lire tous les messages de sécurité et de vous y conformer.



Voici le symbole d'alerte de sécurité.

Ce symbole d'alerte de sécurité vous signale les dangers potentiels de décès et de blessures graves à vous et à d'autres.

Tous les messages de sécurité suivront le symbole d'alerte de sécurité et le mot "DANGER" ou "AVERTISSEMENT". Ces mots signifient :

⚠ DANGER

Risque possible de décès ou de blessure grave si vous ne suivez pas immédiatement les instructions.

⚠ AVERTISSEMENT

Risque possible de décès ou de blessure grave si vous ne suivez pas les instructions.

Tous les messages de sécurité vous diront quel est le danger potentiel et vous disent comment réduire le risque de blessure et ce qui peut se produire en cas de non-respect des instructions.

IMPORTANTES INSTRUCTIONS DE SÉCURITÉ

AVERTISSEMENT : Pour réduire les risques d'incendie, de choc électrique ou des blessures lors de l'utilisation du réfrigérateur, prendre quelques précautions fondamentales, y compris les suivantes :

- Brancher l'appareil sur une prise à 3 alvéoles reliée à la terre.
- Ne pas enlever la broche de liaison à la terre.
- Ne pas utiliser un adaptateur.
- Ne pas utiliser un câble de rallonge.
- Débrancher la source de courant électrique avant l'entretien.
- Replacer pièces et panneaux avant de faire la remise en marche.
- Enlever les portes de votre vieux réfrigérateur.
- Utiliser un produit de nettoyage ininflammable.
- Garder les matériaux et les vapeurs inflammables, telle que l'essence, loin du réfrigérateur.
- Utiliser deux ou plus de personnes pour déplacer et installer le réfrigérateur.
- Débrancher le réfrigérateur avant l'installation de la machine à glaçons (seulement pour modèles prêts à recevoir une machine à glaçons).
- Utiliser un verre robuste pour prendre des glaçons (sur certains modèles).
- Ne pas heurter les portes en verre du réfrigérateur (sur certains modèles).

CONSERVEZ CES INSTRUCTIONS

Avertissements de la proposition 65 de l'État de Californie :

AVERTISSEMENT : Ce produit contient au moins un produit chimique connu par l'État de Californie pour être à l'origine de cancers.

AVERTISSEMENT : Ce produit contient au moins un produit chimique connu par l'État de Californie pour être à l'origine de malformations et autres déficiences de naissance.

MISE AU REBUT APPROPRIÉE DE VOTRE VIEUX RÉFRIGÉRATEUR

⚠ AVERTISSEMENT

Risque de suffoquer

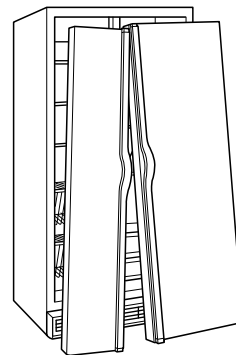
Enlever les portes de votre vieux réfrigérateur.

Le non-respect de cette instruction peut causer un décès ou des lésions cérébrales.

IMPORTANT : L'emprisonnement et l'étouffement des enfants ne sont pas un problème du passé. Les réfrigérateurs jetés ou abandonnés sont encore dangereux, même s'ils sont laissés abandonnés pendant "quelques jours seulement". Si vous vous débarrassez de votre vieux réfrigérateur, veuillez suivre les instructions suivantes pour aider à éviter les accidents.

Avant de jeter votre vieux réfrigérateur ou congélateur :

- Enlever les portes.
- Laisser les tablettes en place de sorte que les enfants ne puissent pas y pénétrer facilement.



Renseignements importants à propos de la mise au rebut des fluides réfrigérants :

Mettre le réfrigérateur au rebut conformément à la réglementation fédérale et locale. Les fluides réfrigérants doivent être évacués par un technicien certifié et agréé par l'EPA conformément aux procédures établies.

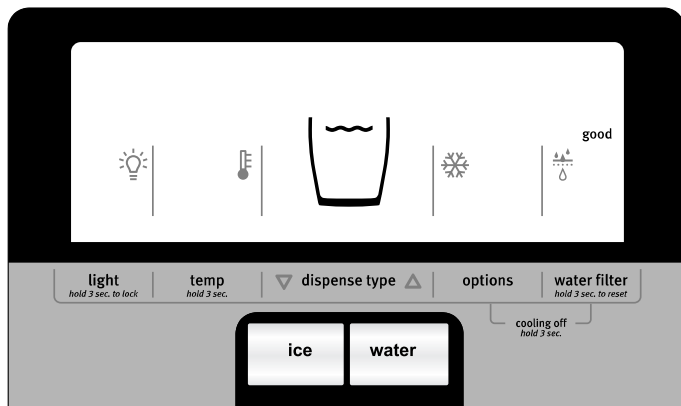
UTILISATION DU RÉFRIGÉRATEUR

Utilisation des commandes

Les commandes du réfrigérateur et du congélateur se trouvent sur le tableau de distribution.

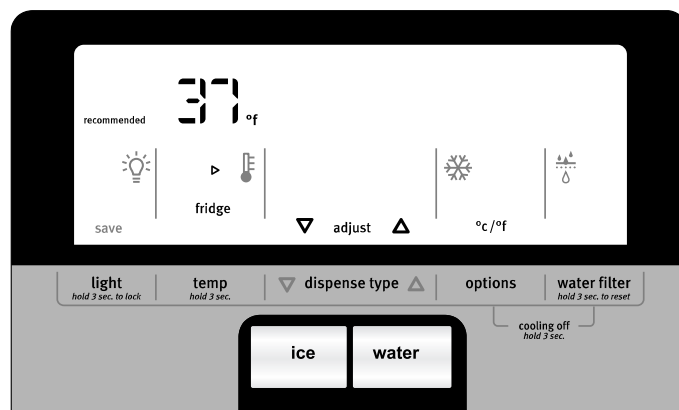
IMPORTANT : L'écran d'affichage sur le tableau de commande du distributeur s'éteint automatiquement et entre au mode "veille" lorsque les boutons de commande et la plaque de distribution n'ont pas été utilisés pendant au moins 2 minutes. Le fait d'appuyer une fois sur un bouton de commande au mode "veille" réactive uniquement l'écran d'affichage, sans modifier les réglages.

- Appuyer sur n'importe quel bouton de commande sur le tableau de distribution pour activer l'écran d'affichage. L'écran d'accueil apparaît tel qu'indiqué.



- Les réglages pré-réglés devraient être corrects pour l'utilisation domestique normale. Les réglages sont faits correctement lorsque le lait ou le jus sont aussi froids que vous l'aimez et lorsque la crème glacée est ferme.
- Attendre au moins 24 heures entre les ajustements. Vérifier de nouveau les températures avant de procéder à d'autres ajustements.

Pour visualiser et ajuster les points de réglage, appuyer pendant 3 secondes sur la touche TEMP (température). Lorsque le mode de réglage est activé, les données d'ajustement apparaissent sur l'écran d'affichage.



Ajustement des commandes

Pour votre confort, les commandes du réfrigérateur et du congélateur sont pré-réglées à l'usine. Lors de l'installation initiale du réfrigérateur, s'assurer que les commandes sont encore pré-réglées au "réglage moyen". Les points de réglage recommandés par l'usine sont 37°F (3°C) pour le réfrigérateur et 0°F (-18°C) pour le congélateur.

IMPORTANT :

- Attendre 24 heures avant d'ajouter des aliments dans le réfrigérateur. Si on ajoute des aliments alors que le réfrigérateur n'a pas complètement refroidi, les aliments risquent de s'abîmer.

REMARQUE : Ajuster la commande sur un réglage plus froid que celui qui est recommandé ne refroidira pas les compartiments plus rapidement.

- Si la température est trop tiède ou trop froide dans le réfrigérateur ou le congélateur, vérifier d'abord les événements pour s'assurer qu'ils ne sont pas bloqués, avant de régler les commandes.

REMARQUE : Pour visualiser les températures en Celsius, appuyer sur la touche OPTIONS lorsque le mode de réglage est activé. Pour revenir au mode d'affichage en Fahrenheit, appuyer de nouveau sur OPTIONS.

- Lorsque le mode de réglage est activé, l'écran d'affichage indique le point de réglage du réfrigérateur et "FRIDGE" (réfrigérateur) apparaît.
- Appuyer sur les flèches du bouton DISPENSE TYPE (type de distributeur) pour augmenter ou diminuer le point de réglage.
- Après avoir fini de visualiser (et d'ajuster, si désiré) le point de réglage du réfrigérateur, appuyer sur TEMP (température) pour modifier l'affichage et faire apparaître le point de réglage du congélateur. Une fois le changement de zone effectué, "FREEZER" (congélateur) apparaît sur l'écran d'affichage.
- Appuyer sur les flèches du bouton DISPENSE TYPE (type de distributeur) pour augmenter ou diminuer le point de réglage.

- Après avoir fini de visualiser (et d'ajuster, si désiré) les points de réglage du réfrigérateur et du congélateur, appuyer sur LIGHT (éclairage) pour sauvegarder les réglages.

REMARQUE : Pour sortir sans sauvegarder les modifications, laisser environ 60 secondes d'inactivité s'écouler; le mode de réglage s'éteindra automatiquement.

Pour ajuster les points de réglage de température, utiliser le tableau suivant comme guide.

| CONDITION : | AJUSTEMENT DE LA TEMPÉRATURE : |
|--|---------------------------------------|
| RÉFRIGÉRATEUR trop froid | Réglage du RÉFRIGÉRATEUR 1° plus haut |
| RÉFRIGÉRATEUR trop tiède | Réglage du RÉFRIGÉRATEUR 1° plus bas |
| CONGÉLATEUR trop froid | Réglage du CONGÉLATEUR 1° plus haut |
| CONGÉLATEUR trop tiède / Trop peu de glaçons | Réglage du CONGÉLATEUR 1° plus bas |

La gamme de valeurs de réglage pour le réfrigérateur va de 33°F à 45°F (0°C à 7°C). La gamme de valeurs de réglage pour le congélateur va de -5°F à 5°F (-21°C à -15°C).

Refroidissement On/Off (marche/arrêt)

Ni le réfrigérateur, ni le congélateur ne refroidiront lorsque le refroidissement est désactivé.

- Pour désactiver le refroidissement, appuyer simultanément sur les boutons OPTIONS et FILTER (filtre) pendant 3 secondes.
IMPORTANT : Afin d'éviter de verrouiller le distributeur ou de modifier des réglages involontairement, veiller à appuyer sur les deux boutons exactement au même moment.
Lorsque le refroidissement est désactivé, "COOLING OFF" (refroidissement désactivé) apparaît sur l'écran d'affichage.
- Appuyer de nouveau pendant 3 secondes sur OPTIONS et FILTER (filtre) pour réactiver le refroidissement.

Caractéristiques supplémentaires

Fast Ice (glace rapide) et SpeedCool (refroidissement rapide)

La caractéristique Fast Ice (glace rapide) est utile lors d'une utilisation intense de glaçons en augmentant la production de glaçons sur une période de 24 heures.

La caractéristique SpeedCool (refroidissement rapide) est utile lors de périodes d'utilisation intensive de glaçons, d'ajout d'un grand nombre d'aliments ou de l'élévation temporaire de la température de la pièce.

- Pour activer la caractéristique Fast Ice (glace rapide), appuyer sur OPTIONS. "Fast Ice" (glace rapide) apparaît sur l'affichage.
La caractéristique Fast Ice (glace rapide) reste activée pendant 24 heures à moins d'être désactivée manuellement.
- Pour activer la caractéristique SpeedCool (refroidissement rapide), appuyer une deuxième fois sur OPTIONS. La caractéristique Fast Ice (glace rapide) s'éteint et la caractéristique SpeedCool (refroidissement rapide) est activée. "SpeedCool" (refroidissement rapide) apparaît sur l'affichage.
La caractéristique SpeedCool (refroidissement rapide) reste activée pendant 24 heures à moins d'être désactivée manuellement.
- Pour activer simultanément les caractéristiques Fast Ice et SpeedCool, appuyer une troisième fois sur OPTIONS. "Fast Ice" (glace rapide) et "SpeedCool" (refroidissement rapide) apparaissent sur l'affichage.
Les deux caractéristiques restent activées pendant 24 heures à moins d'être désactivées manuellement.
- Pour désactiver les deux caractéristiques, appuyer une quatrième fois sur OPTIONS. "Fast Ice" (glace rapide) et "SpeedCool" (refroidissement rapide) disparaissent de l'affichage.

Lorsque Fast Ice et/ou SpeedCool sont actifs, les affichages de température restent les mêmes. Au bout de 24 heures, le réfrigérateur revient aux points de réglage de température précédents.

REMARQUE : Si on désire une production accrue de glaçons en permanence, régler la commande du congélateur à une température inférieure. Le réglage du congélateur à une température plus froide peut rendre certains aliments, comme la crème glacée, plus durs.

Alarme de porte entrouverte

La caractéristique d'alarme de porte entrouverte fait entendre un signal d'alarme lorsque la porte du réfrigérateur ou du congélateur est ouverte pendant 5 minutes et que le système de refroidissement fonctionne. L'alarme retentira toutes les 2 minutes. Fermer les deux portes pour l'arrêter. La caractéristique se réinitialise ensuite et se réactive si l'une des deux portes est de nouveau laissée ouverte pendant 5 minutes.

REMARQUE : Pour que l'alarme sonore cesse de retentir tout en gardant les portes ouvertes, comme lors du nettoyage de l'intérieur du réfrigérateur, appuyer sur n'importe quel bouton sur le tableau de commande. Le son de l'alarme sera temporairement supprimé, mais "Door Ajar" (porte entrouverte) restera affichée sur le tableau de commande du distributeur.

Désactivation des signaux sonores

- Pour désactiver toutes les commandes et les signaux sonores émis par le distributeur, appuyer simultanément sur LIGHT (éclairage) et FILTER (filtre) pendant 3 secondes.
- Pour réactiver tous les signaux sonores, appuyer de nouveau simultanément sur LIGHT (éclairage) et FILTER (filtre) pendant 3 secondes.

Évaporateur double (sur certains modèles)

Certains modèles sont équipés d'un double système d'évaporation séquentiel, composé de deux évaporateurs distincts pour les compartiments de réfrigération et de congélation.

La double évaporation engendre un taux d'humidité supérieur, qui contribue à ralentir la détérioration des aliments dans le réfrigérateur et à améliorer leur qualité et leur fraîcheur dans le congélateur en raison d'une brûlure de congélation moins vive. En outre, le double système d'évaporation contribue à éviter que les odeurs de nourriture présentes dans le réfrigérateur ne se transfèrent à la glace du congélateur.

REMARQUE : Le double système d'évaporation est toujours activé lorsque le réfrigérateur fonctionne. Il n'est pas nécessaire d'appuyer sur un quelconque bouton pour l'activer.

Commande de température dans le tiroir convertible (sur certains modèles)

La commande peut être ajustée pour un refroidissement approprié des viandes ou des légumes. L'air à l'intérieur du contenant est refroidi pour éviter les "petits espaces" de congélation et peut être réglé pour garder les viandes aux températures de conservation de 28° à 32°F (de -2° à 0°C) recommandées par l'Office national du bétail et des viandes.

Conservation de la viande :

Régler la commande sur l'un des trois réglages MEAT (viande) pour conserver la viande à sa température de conservation optimale.

Conservation des légumes :

Régler la commande à VEG (légumes) pour conserver les légumes à leurs températures de conservation optimales.

REMARQUE : Si les aliments commencent à geler, déplacer la commande vers la droite (moins froid) en l'orientant vers le réglage VEG (légumes). Ne pas oublier d'attendre 24 heures entre les ajustements.

Réglage de l'humidité dans le bac à légumes (sur certains modèles)

On peut contrôler le degré d'humidité dans le bac à légumes étanche. La commande peut être ajustée à n'importe quel réglage entre LOW et HIGH.

LOW/bas (ouvert) pour une meilleure conservation des fruits et légumes à pelures.

HIGH/haut (fermé) pour une meilleure conservation des légumes à feuilles frais.

Distributeurs d'eau et de glaçons

REMARQUES :

- Le système de distribution ne fonctionne pas lorsque la porte du réfrigérateur ou du congélateur est ouverte.
- Accorder 24 heures pour que le réfrigérateur se refroidisse et refroidisse l'eau.
- Accorder 24 heures pour produire la première quantité de glaçons. Jeter les trois premières quantités de glaçons produites. Attendre 72 heures pour une production complète de glaçons.
- L'écran d'affichage sur le tableau de commande du distributeur s'éteint automatiquement et entre au mode "veille" lorsque les boutons de commande et la plaque du distributeur n'ont pas été utilisés pendant au moins 2 minutes. Le fait d'appuyer une fois sur un bouton de commande au mode "veille" réactive uniquement l'écran d'affichage, sans modifier les réglages.

Rinçage du circuit d'eau

De l'air piégé dans le système de distribution d'eau peut faire goutter le distributeur d'eau. Après avoir raccordé le réfrigérateur à une source d'alimentation en eau ou remplacé le filtre à eau, vidanger le circuit d'eau. Le fait de rincer le système de distribution d'eau évacue l'air de la canalisation et du filtre, et conditionne le filtre à eau.

REMARQUE : Pendant l'évacuation de l'air, de l'eau peut gicler du distributeur.

1. Utiliser un récipient robuste pour appuyer sur la plaque du distributeur d'eau pendant 5 secondes, puis relâcher la plaque pendant 5 secondes.
2. Répéter l'étape 1 jusqu'à ce que l'eau commence à couler.
3. Une fois que l'eau commence à couler, continuer d'appuyer puis relâcher la plaque du distributeur (appui pendant 5 secondes, relâchement pendant 5 secondes) jusqu'à ce qu'un total de 3 gal. (12 L) soit distribué.

Une vidange supplémentaire peut être nécessaire dans certains domiciles.

Le distributeur d'eau

IMPORTANT :

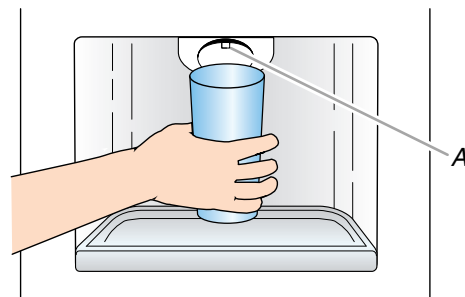
- Distribuer au moins 1 pte (1 L) d'eau chaque semaine pour maintenir un approvisionnement en eau fraîche.
- Si le débit en provenance du distributeur diminue, cela peut être dû à une faible pression en eau.
 - Avec le filtre à eau retiré, verser l'équivalent d'une (1) tasse (237 mL) d'eau. Si l'équivalent d'une (1) tasse d'eau est distribué en 8 secondes ou moins, cela signifie que la pression en eau alimentant le réfrigérateur répond au critère minimal.
 - S'il faut plus de 8 secondes à la machine pour distribuer l'équivalent d'une (1) tasse d'eau, cela signifie que la pression en eau alimentant le réfrigérateur est inférieure au niveau recommandé. Voir "Spécifications de l'alimentation en eau" (dans les instructions d'utilisation ou les instructions d'installation et le manuel d'utilisation) ou "Résolution de problèmes" pour des suggestions sur la marche à suivre.

Distribution d'eau :

1. Appuyer sur les flèches du bouton DISPENSE TYPE (type de distributeur) sur le tableau de commande du distributeur jusqu'à ce que "Water" (eau) soit sélectionné à l'écran.



2. Pour verser de l'eau, appuyer un verre robuste contre la plaque du distributeur OU appuyer sur le bouton WATER (eau). Tenir le verre près de la canule du distributeur d'eau pour que l'eau coule dans le verre.



A. Canule du distributeur d'eau

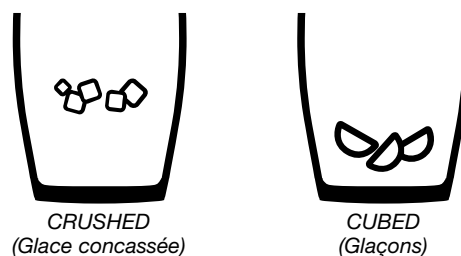
3. Pour arrêter la distribution, retirer le verre de la plaque du distributeur OU relâcher le bouton WATER (eau).

Le distributeur de glaçons

La glace tombe du bac d'entreposage de la machine à glaçons dans le congélateur lorsqu'on appuie sur la plaque du distributeur. Pour éteindre la machine à glaçons, voir "Machine à glaçons et bac d'entreposage".

La machine à glaçons peut produire à la fois de la glace concassée et des glaçons. Avant toute distribution de glace, sélectionner le type de glace que l'on préfère en appuyant sur les flèches du bouton DISPENSE TYPE (type de distributeur).

L'écran d'affichage indique le type de glace sélectionné.



Pour de la glace concassée, les glaçons sont concassés avant d'être distribués. Cette action peut causer un court délai lors de la distribution de glace concassée. Le bruit du broyeur de glaçons est normal et la dimension des morceaux de glace peut varier. Lorsqu'on passe du mode glace concassée au mode glaçons, quelques onces de glace concassée sont distribuées avec les premiers glaçons.

Distribution de glace :

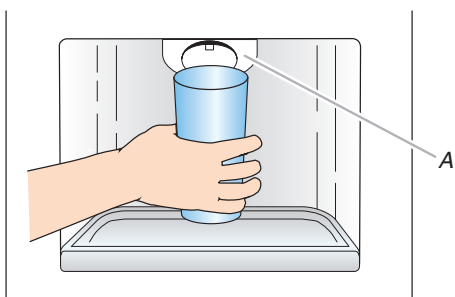
1. S'assurer que le type de glaçons désiré est bien sélectionné. Pour passer de glaçons à glace concassée, appuyer sur les flèches du bouton DISPENSE TYPE (type de distributeur).

⚠ AVERTISSEMENT



Risque de coupure
Utiliser un verre robuste pour prendre des glaçons.
Le non-respect de cette instruction peut causer des coupures.

2. Pour distribuer des glaçons, appuyer un verre robuste contre la plaque du distributeur OU appuyer sur le bouton ICE (glaçons). Tenir le verre près de la goulotte à glaçons pour que les glaçons tombent dans le verre.



A. Goulotte à glaçons

IMPORTANT : Il n'est pas nécessaire d'exercer une pression importante sur la plaque pour activer le distributeur de glaçons. Une pression forte ne donne pas une distribution plus rapide de glaçons ou des quantités plus grandes.

3. Pour arrêter la distribution, retirer le verre de la plaque du distributeur OU relâcher le bouton ICE (glaçons).

REMARQUE : La distribution de glaçons peut se poursuivre jusqu'à quelques secondes après que le verre a été éloigné de la plaque. Le distributeur peut continuer à faire du bruit pendant quelques secondes après la distribution.

La lampe du distributeur

Lorsqu'on utilise le distributeur, la lampe s'allume automatiquement. Pour avoir la lumière allumée en permanence, sélectionner ON (marche) ou DIM (faible luminosité).

ON (marche) : Appuyer sur LIGHT (lumière) pour allumer la lampe du distributeur. "On" (marche) apparaît sur l'affichage.

DIM (faible luminosité) : Appuyer sur LIGHT une deuxième fois pour sélectionner le mode DIM. "Dim" (faible luminosité) apparaît sur l'affichage. La lampe du distributeur restera allumée, mais à une intensité plus faible.

OFF (arrêt) : Appuyer sur LIGHT une troisième fois pour éteindre la lampe du distributeur.

Les lampes du distributeur sont des DEL qui ne peuvent pas être remplacées. Si les lampes du distributeur ne fonctionnent pas, voir la section "Résolution de problèmes" pour plus d'informations.

Le verrouillage du distributeur

Le distributeur peut être verrouillé pour un nettoyage facile ou pour éviter la distribution involontaire par de jeunes enfants ou des animaux de compagnie.

REMARQUE : La caractéristique de verrouillage ne coupe pas le courant électrique au réfrigérateur, à la machine à glaçons ou à la lumière du distributeur. Cela désactive tout simplement les commandes et la plaque du distributeur. Pour éteindre la machine à glaçons, voir "Machine à glaçons et bac d'entreposage".

- Appuyer sur LIGHT (éclairage) pendant 3 secondes pour verrouiller le distributeur. "Dispenser Locked" (distributeur verrouillé) apparaît sur l'affichage.
- Appuyer à nouveau sur LIGHT (éclairage) pour déverrouiller le distributeur.

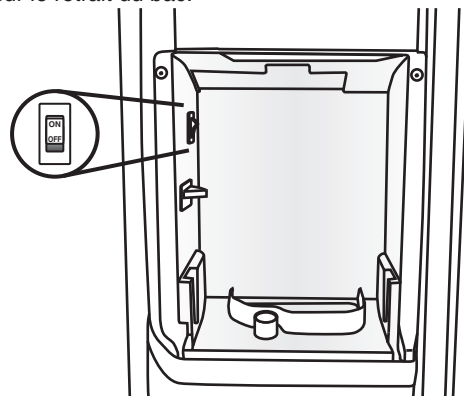
Machine à glaçons et bac d'entreposage

- Accorder 24 heures pour produire la première quantité de glaçons. Jeter les trois premières quantités de glaçons produites.
- La qualité de vos glaçons dépend de la qualité de l'eau fournie à votre machine à glaçons. Éviter de brancher la machine à glaçons à un approvisionnement d'eau adoucie. Les produits chimiques adoucisseurs d'eau (tels que le sel) peuvent endommager des pièces de la machine à glaçons et causer une piètre qualité des glaçons. Si une alimentation d'eau adoucie ne peut pas être évitée, s'assurer que l'adoucisseur d'eau fonctionne bien et qu'il est bien entretenu.
- Ne pas utiliser un objet pointu pour briser les glaçons dans le bac d'entreposage. Cette action peut endommager le bac et le mécanisme du distributeur.
- Ne pas garder quoi que ce soit sur le dessus ou dans la machine à glaçons ou dans le bac à glaçons.

Style 1

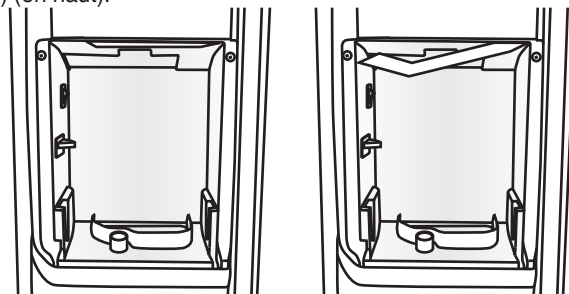
Mise en marche/arrêt de la machine à glaçons :

On ne peut accéder au commutateur On/Off (marche/arrêt), sur la paroi de gauche de la porte du congélateur, qu'une fois le bac d'entreposage à glaçons retiré. Voir la section suivante pour des instructions sur le retrait du bac.



- Pour mettre en marche la machine à glaçons, tourner le commutateur à la position ON (marche) (vers le haut).
- Pour un arrêt manuel de la machine à glaçons, tourner le commutateur à la position OFF (arrêt) (vers le bas).

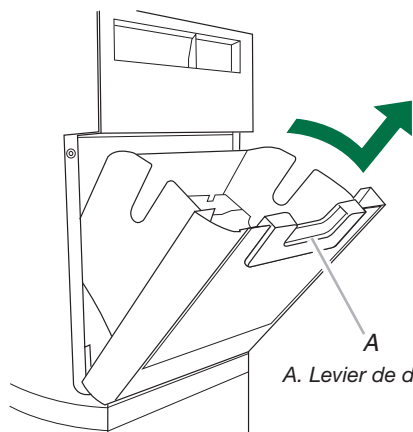
REMARQUE : La machine à glaçons comporte un système d'arrêt automatique pour éviter le sur-remplissage du bac d'entreposage pendant un fonctionnement normal. Au fur et à mesure de la production de glace, les glaçons remplissent le bac d'entreposage à glaçons. Les glaçons soulèvent le bras de commande métallique jusqu'à ce qu'il atteigne la position ARRÊT (bras vers le haut). Lorsque le bac d'entreposage est plein, la machine à glaçons arrête automatiquement la production de glaçons, mais le commutateur On/Off (marche/arrêt) reste à la position ON (marche) (en haut).



Production de glaçons ARRÊT (bras de commande vers le HAUT) Production de glaçons MARCHÉ (bras de commande vers le BAS)

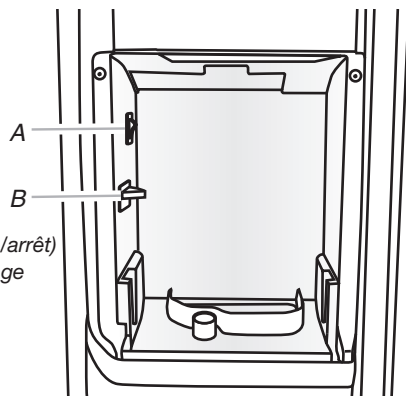
Pour retirer et réinstaller le bac à glaçons :

1. Appuyer sur le levier de dégagement et incliner le seau vers l'extérieur. Saisir la base du bac d'entreposage à deux mains et le soulever pour le dégager.



A. Levier de dégagement

REMARQUE : Il n'est pas nécessaire de tourner le commutateur On/Off (marche/arrêt) de la machine à glaçons à la position OFF (arrêt) (vers le bas) lors du retrait du bac d'entreposage. Le détecteur du bac d'entreposage sur la paroi de gauche de la porte du congélateur interrompt la production de glaçons lorsque la porte est ouverte ou que le bac d'entreposage a été enlevé.



A. Commutateur On/Off (marche/arrêt)

B. Détecteur du bac d'entreposage

2. Réinstaller le bac en le faisant glisser sur la porte puis en l'inclinant vers l'arrière et en le plaçant en position verticale. Le levier de dégagement émet un déclic lorsque le bac est bien en place.

Style 2

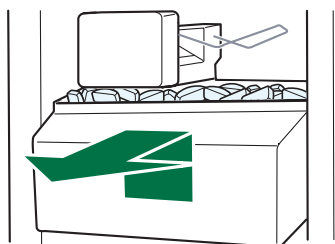
Mise en marche/arrêt de la machine à glaçons :

- Pour mettre la machine à glaçons en marche, il suffit d'abaisser le bras de commande en broche.
- Pour arrêter manuellement la machine à glaçons, soulever le bras de commande en broche à la position OFF (élevée) et attendre le clic. Les glaçons peuvent encore être distribués, mais aucun autre glaçon ne peut être fait.

REMARQUE : La machine à glaçons comporte un système d'arrêt automatique pour éviter le débordement du bac d'entreposage dans les conditions normales de fonctionnement. Au fur et à mesure de la fabrication de la glace, les glaçons remplissent le bac d'entreposage de glaçons. Les glaçons soulèvent le bras de commande en broche à la position OFF (élevée). Ne pas forcer le bras de commande en broche vers le haut ou vers le bas.

Pour retirer et réinstaller le bac à glaçons :

1. Tirer le panneau qui recouvre le bac à glaçons en le retirant hors de la base.
2. Soulever le bras en broche jusqu'à ce qu'il s'enclenche à la position OFF (élevée).
3. Soulever le devant du bac à glaçons et le retirer.



4. Remplacer le bac à glaçons en le poussant complètement sinon le distributeur ne fonctionnera pas.
5. Pour remettre la production de glaçons en marche, appuyer sur le bras en broche pour l'abaisser à la position ON. S'assurer que la porte est bien fermée.

Système de filtration de l'eau

Ne pas utiliser pour le filtrage d'une eau microbiologiquement polluée ou de qualité inconnue en l'absence d'un dispositif de désinfection adéquat avant ou après le système. Les systèmes certifiés pour la réduction de kyste peuvent être utilisés pour l'eau désinfectée qui peut contenir des kystes filtrables.

Témoin lumineux de l'état du filtre à eau

Le témoin lumineux de l'état du filtre à eau vous permettra de savoir quand changer votre filtre à eau.

- Lorsque l'affichage du témoin du filtre à eau sur le tableau de commande passe à "ORDER" (commander), ceci indique qu'il est presque temps de changer la cartouche du filtre à eau.
- Remplacer la cartouche du filtre à eau lorsque l'écran d'affichage indique "REPLACE" (remplacer).

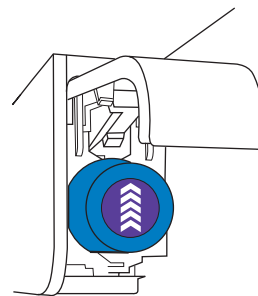
REMARQUE : Si le débit d'eau vers le distributeur d'eau ou la machine à glaçons décroît de manière sensible, il convient de changer le filtre plus tôt. Le filtre doit être remplacé au moins tous les 6 mois selon la qualité de l'eau et la fréquence d'utilisation.

Réinitialisation de l'état du filtre

- Après avoir changé le filtre à eau, régler de nouveau le témoin lumineux du filtre à eau en appuyant sur FILTER (filtre) pendant 3 secondes.

Une fois le système réinitialisé, les icônes "ORDER" (commander) et "REPLACE" (remplacer) disparaissent de l'écran d'affichage.

Remplacement du filtre à eau



1. Repérer le filtre à eau situé dans le coin supérieur droit du compartiment de réfrigération.
2. Ouvrir la porte du couvercle du filtre en la soulevant. Le filtre est libéré puis éjecté lorsqu'on ouvre la porte.
3. Une fois la porte complètement ouverte, retirer le filtre en le tirant en ligne droite.

REMARQUE : Il y aura peut-être de l'eau dans le filtre. Il est possible que de l'eau se renverse. Utiliser une serviette pour essuyer tout renversement.

4. Sortir le filtre neuf de son emballage et retirer le couvercle. S'assurer que les joints toriques sont toujours en place une fois le couvercle retiré.
5. Avec la flèche orientée vers le haut, aligner le filtre neuf avec le logement du filtre et le faire glisser pour le mettre en place. La porte du couvercle du filtre entame un mouvement automatique de fermeture à mesure que l'on insère le filtre neuf.
6. Fermer complètement la porte du couvercle du filtre pour emboîter le filtre et le mettre en place. Il faudra peut-être appuyer fortement.
7. Purger le circuit d'eau. Voir "Distributeurs d'eau et de glaçons".

ACCESSOIRES

Les accessoires de réfrigérateur suivants sont disponibles.

Pour commander: Nous contacter et demander le numéro de pièce indiqué, ou contacter votre marchand autorisé.

Aux É.-U., composer le **1-800-688-9900** ou visiter www.maytag.com/accessories.

Au Canada, composer le **1-800-807-6777** ou visiter www.whirlpoolparts.ca.

Nettoyant pour acier inoxydable affresh® :

Commander la pièce numéro W10355016

Au Canada, commander la pièce numéro W10355016B

Lingettes pour acier inoxydable affresh® :

Commander la pièce numéro W10355049

Au Canada, commander la pièce numéro W10355049B

Nettoyant pour appareil ménager et cuisine affresh® :

Commander la pièce numéro W10355010

Au Canada, commander la pièce numéro W10355010B

Filtre à eau :

Commander la pièce N° W10295370A (P4RFWB)

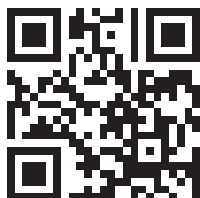
Filtre à air :

Commander la pièce N° W10311524

Sachet de conservation pour produits frais :

Commander la pièce N° W10346771

RÉSOLUTION DE PROBLÈMES



Pour des conseils qui vous permettront peut-être d'éviter une intervention de dépannage, scannez le code à gauche avec votre téléphone ou consultez www.maytag.ca.

Pour une liste complète de résolution de problèmes (regroupant plus d'information sur d'autres sujets), voir les instructions d'installation et le manuel d'utilisation fourni avec le réfrigérateur ou consulter notre site Web et télécharger les instructions d'utilisation correspondant au modèle utilisé.

GARANTIE

GARANTIE LIMITÉE DES APPAREILS DE RÉFRIGÉRATION MAYTAG®

ATTACHEZ ICI VOTRE REÇU DE VENTE. UNE PREUVE D'ACHAT EST OBLIGATOIRE POUR OBTENIR L'APPLICATION DE LA GARANTIE.

Lorsque vous appelez le centre d'eXpérience de la clientèle, veuillez garder à disposition les renseignements suivants :

- Nom, adresse et numéro de téléphone
- Numéros de modèle et de série
- Une description claire et détaillée du problème rencontré
- Une preuve d'achat incluant le nom et l'adresse du marchand ou du détaillant

SI VOUS AVEZ BESOIN DE SERVICE :

1. Avant de nous contacter pour obtenir un dépannage, veuillez déterminer si des réparations sont nécessaires pour votre produit. Certains problèmes peuvent être résolus sans intervention de dépannage. Prenez quelques minutes pour parcourir la section Dépannage ou Résolution de problèmes du guide d'utilisation et d'entretien, scannez le code QR ci-contre avec votre téléphone intelligent pour accéder à des ressources supplémentaires, ou rendez-vous sur le site <http://www.maytag.ca>.

2. Tout service sous garantie doit être effectué exclusivement par nos fournisseurs de dépannage autorisés Maytag. Aux É.-U. et au Canada, dirigez toutes vos demandes de service sous garantie au

Centre d'eXpérience de la clientèle Maytag

Aux É.-U., composer le 1-800-688-9900. Au Canada, composer le 1-800-807-6777.

Si vous résidez à l'extérieur du Canada et des 50 États des États-Unis, contactez votre marchand Maytag autorisé pour déterminer si une autre garantie s'applique.



<http://www.maytag.ca>

CE QUI EST COUVERT

GARANTIE LIMITÉE DURANT LA PREMIÈRE ANNÉE (PIÈCES ET MAIN-D'ŒUVRE)

Pendant un an à compter de la date d'achat, lorsque ce gros appareil ménager est installé, utilisé et entretenu conformément aux instructions jointes au produit ou fournies avec, la marque Maytag de Whirlpool Corporation ou Whirlpool Canada, LP (ci-après désignées "Maytag") paiera pour les pièces de rechange spécifiées par l'usine et pour la main-d'œuvre pour corriger les vices de matériaux ou de fabrication qui existaient déjà lorsque ce gros appareil ménager a été acheté. S'il est remplacé, l'appareil sera couvert pour la période restant à courir de la garantie limitée d'un an du produit d'origine.

GARANTIE LIMITÉE DE LA DEUXIÈME À LA DIXIÈME ANNÉE (COMPRESSEUR UNIQUEMENT - MAIN-D'ŒUVRE NON COMPRISE)

De la deuxième à la dixième année inclusivement à compter de la date d'achat initiale, lorsque ce gros appareil ménager est installé, utilisé et entretenu conformément aux instructions jointes au produit ou fournies avec, Maytag paiera pour un compresseur de rechange spécifié par l'usine pour corriger les défauts non esthétiques de matériau ou de fabrication de ladite pièce qui empêchent ce gros appareil ménager de fonctionner et qui étaient déjà présents lorsque ce gros appareil ménager a été acheté. Cette garantie limitée de 10 ans s'applique uniquement au compresseur et ne comprend pas la main-d'œuvre.

LE SEUL ET EXCLUSIF RECOURS DU CLIENT DANS LE CADRE DE LA PRÉSENTE GARANTIE LIMITÉE CONSISTE EN LA RÉPARATION PRÉVUE PAR LA PRÉSENTE. Le service doit être fourni par une compagnie de service désignée par Maytag. Cette garantie limitée est valide uniquement aux États-Unis ou au Canada et s'applique exclusivement lorsque le gros appareil ménager est utilisé dans le pays où il a été acheté. La présente garantie limitée est valable à compter de la date d'achat initial par le consommateur. Une preuve de la date d'achat initial est exigée pour obtenir un dépannage dans le cadre de la présente garantie limitée.

CE QUI N'EST PAS COUVERT

1. Usage commercial, non résidentiel ou par plusieurs familles, ou non-respect des instructions de l'utilisateur, de l'opérateur ou des instructions d'installation.
2. Visite d'instruction à domicile pour montrer à l'utilisateur comment utiliser l'appareil.
3. Visites de service pour rectifier une installation ou un entretien fautifs du produit, une installation non conforme aux codes d'électricité ou de plomberie, ou la rectification de l'installation électrique ou de la plomberie du domicile (ex : câblage électrique, fusibles ou tuyaux d'arrivée d'eau du domicile).
4. Pièces consommables (ex : ampoules, batteries, filtres à air ou à eau, solutions de conservation, etc.).
5. Défauts ou dommage résultant de l'utilisation de pièces ou accessoires Maytag non authentiques.
6. Dommages causés par : accident, mésusage, abus, incendie, inondations, catastrophe naturelle ou l'utilisation de produits non approuvés par Maytag.
7. Réparations aux pièces ou systèmes dans le but de rectifier un dommage ou des défauts résultant d'une réparation, altération ou modification non autorisée faite à l'appareil.
8. Défauts d'apparence, notamment les éraflures, traces de choc, fissures ou tout autre dommage subi par le fini de l'appareil ménager, à moins que ces dommages ne résultent de vices de matériaux ou de fabrication et ne soient signalés à Maytag dans les 30 jours suivant la date d'achat.
9. Décoloration, rouille ou oxydation des surfaces résultant d'environnements caustiques ou corrosifs incluant des concentrations élevées de sel, un haut degré d'humidité ou une exposition à des produits chimiques (exemples non exhaustifs).
10. Perte d'aliments ou de médicaments due à la défaillance du produit.
11. Enlèvement ou livraison. Ce produit est conçu pour être réparé à l'intérieur du domicile.
12. Frais de déplacement et de transport pour le dépannage/la réparation dans une région éloignée où une compagnie de service Maytag autorisée n'est pas disponible.
13. Retrait ou réinstallation d'appareils inaccessibles ou de dispositifs préinstallés (ex : garnitures, panneaux décoratifs, plancher, meubles, îlots de cuisine, plans de travail, panneaux de gypse, etc.) qui entravent le dépannage, le retrait ou le remplacement du produit.
14. Service et pièces pour des appareils dont les numéros de série et de modèle originaux ont été enlevés, modifiés ou ne peuvent pas être facilement identifiés.

Le coût d'une réparation ou d'un remplacement dans le cadre de ces circonstances exclues est à la charge du client.

CLAUSE D'EXONÉRATION DE RESPONSABILITÉ AU TITRE DES GARANTIES IMPLICITES

LES GARANTIES IMPLICITES, Y COMPRIS LES GARANTIES APPLICABLES DE QUALITÉ MARCHANDE OU D'APTITUDE À UN USAGE PARTICULIER, SONT LIMITÉES À UN AN OU À LA PLUS COURTE PÉRIODE AUTORISÉE PAR LA LOI. Certains États et provinces ne permettent pas de limitation sur la durée des garanties implicites de qualité marchande ou d'aptitude à un usage particulier, de sorte que la limitation ci-dessus peut ne pas être applicable dans votre cas. Cette garantie vous confère des droits juridiques spécifiques et vous pouvez également jouir d'autres droits qui peuvent varier d'une juridiction à l'autre.

EXONÉRATION DE RESPONSABILITÉ DANS LES DOMAINES NON COUVERTS PAR LA GARANTIE

Maytag décline toute responsabilité au titre de la qualité, de la durabilité ou en cas de dépannage ou de réparation nécessaire sur ce gros appareil ménager autre que les responsabilités énoncées dans la présente garantie. Si vous souhaitez une garantie plus étendue ou plus complète que la garantie limitée fournie avec ce gros appareil ménager, adressez-vous à Maytag ou à votre détaillant pour obtenir les modalités d'achat d'une garantie étendue.

LIMITATION DES RECOURS; EXCLUSION DES DOMMAGES FORTUITS OU INDIRECTS

LE SEUL ET EXCLUSIF RECOURS DU CLIENT DANS LE CADRE DE LA PRÉSENTE GARANTIE LIMITÉE CONSISTE EN LA RÉPARATION PRÉVUE PAR LA PRÉSENTE. MAYTAG N'ASSUME AUCUNE RESPONSABILITÉ POUR LES DOMMAGES FORTUITS OU INDIRECTS. Certains États et certaines provinces ne permettent pas l'exclusion ou la limitation des dommages fortuits ou indirects de sorte que ces limitations et exclusions peuvent ne pas être applicables dans votre cas. Cette garantie vous confère des droits juridiques spécifiques et vous pouvez également jouir d'autres droits qui peuvent varier d'une juridiction à l'autre.