

# Airflo

## Instruction Manual



**Retro Fridge**  
Model no. AFW130

## Retro Refrigerator

Thank you for buying this Retro Refrigerator. It has been designed and manufactured for many years of trouble-free service.

Operation is very simple, but please take a few minutes to read this manual. It contains important safety information, and tips to ensure you receive the best possible service from your Refrigerator.

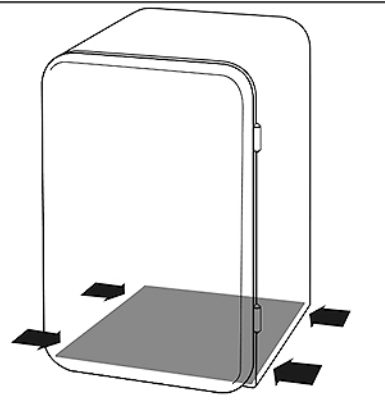
### SAFETY INSTRUCTIONS & WARNINGS

Before switching on your Refrigerator, read the information in this User Manual carefully. The User Manual contains important observations relating to the assembly, operation and maintenance of the Refrigerator. Please keep this User Manual in a safe place for future reference. If you ever sell this Refrigerator, hand this User Manual to the new owner. The manufacturer does not accept responsibility for any damages that may arise due to non-observation of these instructions.

- Do not use Refrigerators if they are damaged. If you are in any doubt, consult Retail Ltd for advice.
- Connection and installation of your Refrigerator are to be carried out in strict compliance with the relative instructions in this User Manual.
- For safety, the Refrigerator must be properly earthed in accordance with specifications.
- Always remember to unplug the Refrigerator before cleaning. Never unplug your Refrigerator by pulling on the power cable. Always grip plug firmly and pull straight out from the socket.
- All electrical repairs must be carried out by a qualified engineer. Inadequate repairs may be dangerous.
- Do not damage any parts of the Refrigerator which carry refrigerant by piercing, perforating, crushing, twisting or scraping. If refrigerant

**WARNING: THE METAL RAILS ON THE BOTTOM UNDERNEATH OF THIS REFRIGERATOR MAY HAVE SHARP EDGES, SO ALWAYS UNPACK AND HANDLE WITH CARE.**

**DO NOT DRAG THE UNIT: PLACE CAREFULLY IN POSITION TO AVOID SCRATCHING THE FLOOR.**



### DISPOSAL OF OLD REFRIGERATORS

**BE SURE TO MAKE ANY LOCKS UNUSABLE. IF POSSIBLE, REMOVE THE DOOR(S) AND DISCARD SEPARATELY.**

**WARNING – CHEMICAL HAZARD: DO NOT ALLOW CHILDREN TO PLAY WITH THE OLD REFRIGERATOR. CONTACT YOUR LOCAL AUTHORITY FOR PROPER DISPOSAL PROCEDURES.**



Before disposing of an old Refrigerator, please make sure it is switched off and safe. Unplug the Refrigerator and break any locks in order to avoid children becoming trapped.

**Please note:** the refrigeration system contains gases and refrigerants which require specialist waste disposal. The valuable materials contained in a Refrigerator can be recycled.

Contact your local waste disposal depot for proper disposal of an old Refrigerator and contact your local authority or dealer if you have any questions.

Please ensure the pipework of your Refrigerator is not damaged prior to disposal. You can contribute to environmental awareness by insisting on an appropriate non-polluting method of disposal.

### DISPOSAL OF PACKAGING

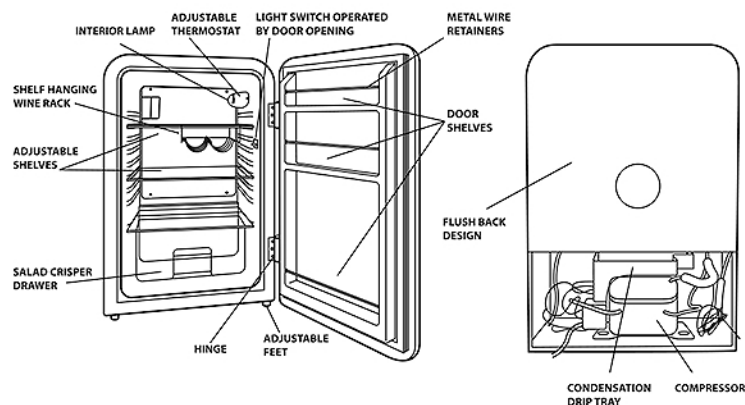
Please dispose of packaging materials responsibly. Consult your local authority for the name and address of the waste disposal services nearest to you.

### BEFORE USING FOR THE FIRST TIME

- For good circulation, the vent at the back of the Refrigerator must not be blocked. Keep a minimum of 100mm of clear space between the back of the Refrigerator and the wall, and 50mm between the sides and the wall. Your Retro Refrigerator should be placed on flat and firm surface for quieter operation.
- If the Refrigerator is to be placed on carpet, support it with a wooden board underneath. Be aware that placing the Refrigerator on carpet may mean that heat from the compressor may cause the carpet to fade.
- Do not expose the Refrigerator to direct sunlight or a heat source such as ovens, radiators, heaters, etc.
- Do not under any circumstances place heated food or beverages in your Refrigerator.
- Do not open the door more often than necessary to lessen the escape of cold air.
- For better air circulation, do not overfill the Refrigerator.
- Adjust the thermostat according to the amount of product and the ambient temperature.

## SPECIFICATIONS

- This Retro Refrigerator is intended for domestic use.
- The refrigerating circuit is leak-proof.



## TO OPERATE YOUR RETRO REFRIGERATOR

Before switching your Retro Refrigerator on, we recommend you allow it to stand for 12 hours.

1. Clean the inner compartment.
2. Plug in your Refrigerator.
3. The first time you turn the Refrigerator on, check the thermostat to ensure it is set to "4" and leave at this position for 20 minutes. After this time, adjust the temperature control setting as per the guide for setting the thermostat below.
4. To turn the Refrigerator off, turn the thermostat to the "0" position and disconnect the plug from the mains supply.

**NOTE:** If the Refrigerator is unplugged or power lost, you must wait 3 to 5 minutes before restarting. If you attempt to restart the Refrigerator before this delay, the Refrigerator will not start.

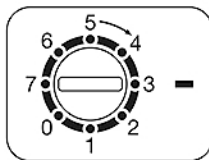
## THERMOSTAT SETTINGS

Thermostat "0" position indicates the Refrigerator is turned off although power is still being supplied. By turning the thermostat dial clockwise, the Refrigerator will turn on automatically. The settings 1 (MIN) – 7 (MAX) regulate the interior temperature of the Refrigerator.

Setting 0 = Off (not operating)

Setting 1 (or MIN) = lowest setting (warmest internal temperature)

Setting 7 (or MAX) = highest setting (coldest internal temperature)



Adjust the internal temperature as required according to the amount of product and the ambient temperature. Guide for the thermostat settings are as follows:

Winter — Setting 1-2

Spring and Autumn — Setting 2-4

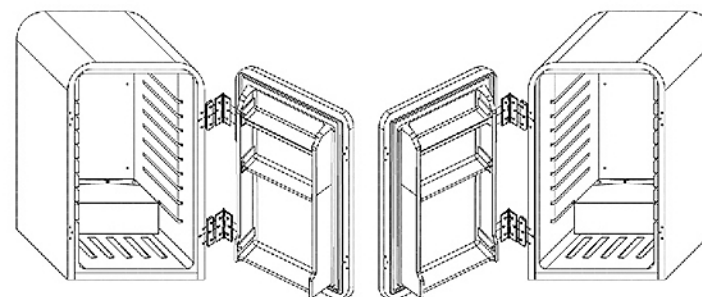
Summer — Setting 4-6

The internal temperature varies in different parts of the Refrigerator. The back of the Refrigerator is coldest.

## REVERSING THE DOOR

The door can be opened from left to right and vice versa. Should you wish to change the opening direction, please follow these instructions.

**Note:** all parts removed should be kept safely. You will require these for the reinstallation of the door.



**Fig 1** Position of components prior to reversal of the door hinge.

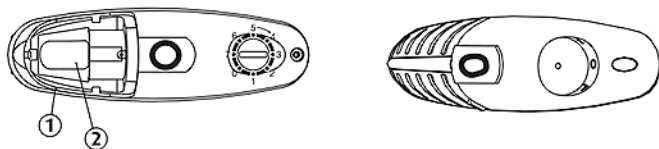
**Fig 2** Position of components after reversal of the door hinge.

- Support the door from the bottom
- Remove the six screws that affix the hinges and two spacers to the cabinet frame
- Place the door flat on a padded surface to prevent scratching
- Remove the six hinge screws that affix the hinges to the Retro door
- Remove the blanking plugs from the opposite side and use to plug the holes exposed by the removal of the hinge
- Screw the hinges onto the opposite side of the door
- Pick the door up and carefully align with the cabinet holes
- Screw the remaining six screws into both hinges and the two spacers into the cabinet to secure the door.



## CHANGING THE LIGHT BULB

**BEFORE REMOVING THE LIGHT BULB, YOU MUST UNPLUG THE UNIT. FAILURE TO DO SO MAY RESULT IN ELECTRICAL SHOCK OR PERSONAL INJURY.**



- Remove the light bulb cover (1) by gently pulling the bottom edge of the light bulb cover.
- Unscrew the bulb (2) Fit a 10w Refrigerator bulb that is the same shape and size.
- **IMPORTANT:** replace the light cover to its original position.

## DEFROSTING

The surface of the evaporator ices up when the Refrigerator is working. This is an entirely normal part of operation. If the frost layer is more than 3mm/1/8" thick, the Refrigerator must be defrosted and cleaned to avoid unnecessary energy consumption and inefficient operation.

- Remove all items inside and unplug the Refrigerator.
- After defrosting, clean the Refrigerator (see instructions below) and allow it to dry. Reconnect to the mains supply and follow the directions 'To Operate Your Retro Refrigerator' on page 5.

## CLEANING

The exterior may be cleaned using a microfibre cloth or similar. **DO NOT** use abrasive products on the exterior of the unit as this could damage the painted finish. To ensure efficient operation the back and bottom of the chiller should be cleaned thoroughly. **Note:** do not use abrasive cleaners!

- Unplug your Refrigerator.
- Wipe the interior with warm water and neutral detergent.
- Dry all surfaces thoroughly.
- Use mild soapy water to clean the door seal.

## WHEN NOT IN USE FOR LONG PERIODS

- Unplug your Refrigerator.
- Clean and dry the inside of the Refrigerator. Leave the door slightly open to allow it to dry completely.
- A chiller which is unused without being cleaned may start to smell musty or develop mildew.

## MOVING YOUR REFRIGERATOR

- Unplug the Refrigerator and remove all items inside
- Note:** Never pick the Refrigerator up by the door.

## FREQUENTLY ASKED QUESTIONS

Before contacting for advice, check the following points:

### Your Refrigerator does not operate

- Check power cable is plugged in and switched on.
- The circuit breaker has tripped or the fuse has blown.
- The thermostat is set at "0".
- **Note:** if a power cut occurs, do not open the door more often than necessary in order to conserve cold air.

### Your Refrigerator is too cold

- The thermostat dial may be set too high.

### Your

- The thermostat dial may be set too low
- Check outside heat sources are not too close to the Refrigerator.
- The door is opened too often. To conserve cold air/contents, do not open the door more often than necessary.
- The door is not closed completely.
- The door gasket is damaged.

Please note: The internal temperature varies within the Refrigerator. The back of the Refrigerator is the coldest.

### Standing water inside the Refrigerator or on the floor

- Check if the Refrigerator's drip tray is full and empty it if required.

### The side panel heats up

- This is due to normal dissipation of heat from inside the Refrigerator.

### Condensation forms on the outside of the Refrigerator

- Condensation will form on the outside of the Refrigerator if it operates in moist areas, simply wipe it dry.

### The Refrigerator makes too much noise

- Refrigerator is not on a level, firm surface or it may be touching other items.
- **Note:** it is normal to hear refrigerant flowing as the compressor stops and starts.
- The thermostat is set at too high a setting and needs to be adjusted.

**DANGER: RISK OF CHILD ENTRAPMENT.**

**BEFORE YOU THROW AWAY YOUR OLD REFRIGERATOR OR FREEZER**

**TAKE OFF THE DOORS**

**LEAVE THE SHELVES IN PLACE SO THAT CHILDREN MAY NOT EASILY CLIMB INSIDE**