

Owner's Manual



# ROTARY LAWN MOWER

675 Series Briggs & Stratton Engine

Power-Propelled

22" Rear Discharge

Model No.

**917.370700**

• Español, p. 20



## **CAUTION:**

Read and follow all  
Safety Rules and Instructions  
before operating this equipment

Sears Brands Management Corp., Hoffman Estates, IL 60179 U.S.A.

Visit our Craftsman website: [www.sears.com/craftsman](http://www.sears.com/craftsman)

## TABLE OF CONTENTS

Warranty .....	2	Maintenance .....	12-15
Safety Rules .....	2-4	Service and Adjustments .....	15-16
Product Specifications .....	4	Storage .....	16-17
Assembly / Pre-Operation .....	6	Troubleshooting .....	18-19
Operation .....	7-11	Repair Parts .....	38-47
Maintenance Schedule .....	12	Sears Service .....	Back Cover

## WARRANTY

### CRAFTSMAN 2-YEAR FULL WARRANTY

For TWO YEARS from the date of purchase, this product is warranted against any defects in material or workmanship. Defective product will receive free repair or replacement if repair is unavailable.

For warranty coverage details to obtain free repair or replacement, visit the web site: [www.craftsman.com](http://www.craftsman.com)

**This warranty covers ONLY defects in material and workmanship.**

**Warranty coverage does NOT include:**

- Expendable parts that can wear out from normal use within the warranty period, such as blades, blade adapters, belts, filters or spark plugs.
- Product damage resulting from user attempts at product modification or repair or caused by product accessories.
- Repairs necessary because of accident or failure to operate or maintain this product according to all supplied instructions.
- Preventative maintenance, or repairs necessary due to improper fuel mixture, contaminated or stale fuel.

This warranty is void if this product is ever used while providing commercial services or if rented to another person.

This warranty gives you specific legal rights, and you may also have other rights which vary from state to state.

**Sears Brands Management Corporation, Hoffman Estates, IL 60179**

## SAFETY RULES

**IMPORTANT:** This cutting machine is capable of amputating hands and feet and throwing objects. Failure to observe the following safety instructions could result in serious injury or death.

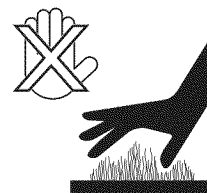
**⚠** Look for this symbol to point out important safety precautions. It means **CAUTION!!! BECOME ALERT!!! YOUR SAFETY IS INVOLVED.**

**⚠ WARNING:** In order to prevent accidental starting when setting up, transporting, adjusting or making repairs, always disconnect spark plug wire and place wire where it cannot come in contact with plug.

**⚠ WARNING:** Engine exhaust, some of its constituents, and certain vehicle components contain or emit chemicals known to the State of California to cause cancer and birth defects or other reproductive harm.

**⚠ WARNING:** Battery posts, terminals and related accessories contain lead and lead compounds, chemicals known to the State of California to cause cancer and birth defects or other reproductive harm. **Wash hands after handling.**

**⚠ CAUTION:** Muffler and other engine parts become extremely hot during operation and remain hot after engine has stopped. To avoid severe burns on contact, stay away from these areas.



## I. GENERAL OPERATION

- Read, understand, and follow all instructions on the machine and in the manual(s) before starting. Be thoroughly familiar with the controls and the proper use of the machine before starting.
- Do not put hands or feet near or under rotating parts. Keep clear of the discharge opening at all times.
- Only allow responsible individuals, who are familiar with the instructions, to operate the machine.
- Clear the area of objects such as rocks, toys, wire, bones, sticks, etc., which could be picked up and thrown by blade.
- Be sure the area is clear of other people before mowing. Stop machine if anyone enters the area.
- Do not operate the mower when barefoot or wearing open sandals. Always wear substantial foot wear.
- Do not pull mower backwards unless absolutely necessary. Always look down and behind before and while moving backwards.
- Never direct discharged material toward anyone. Avoid discharging material against a wall or obstruction. Material may ricochet back toward the operator. Stop the blade when crossing gravel surfaces.
- Do not operate the mower without proper guards, plates, grass catcher or other safety protective devices in place.
- See manufacturer's instructions for proper operation and installation of accessories. Only use accessories approved by the manufacturer.
- Stop the blade(s) when crossing gravel drives, walks, or roads.
- Stop the engine (motor) whenever you leave the equipment, before cleaning the mower or unclogging the chute.
- Shut the engine (motor) off and wait until the blade comes to complete stop before removing grass catcher.
- Mow only in daylight or good artificial light.
- Do not operate the machine while under the influence of alcohol or drugs.
- Never operate machine in wet grass. Always be sure of your footing: keep a firm hold on the handle; walk, never run.
- Disengage the self-propelled mechanism or drive clutch on mowers so equipped before starting the engine.
- If the equipment should start to vibrate abnormally, stop the engine (motor) and check immediately for the cause. Vibration is generally a warning of trouble.

- Always wear safety goggles or safety glasses with side shields when operating mower.

## II. SLOPE OPERATION

Slopes are a major factor related to slip & fall accidents which can result in severe injury. All slopes require extra caution. If you feel uneasy on a slope, do not mow it.

### DO:

- Mow across the face of slopes: never up and down. Exercise extreme caution when changing direction on slopes.
- Remove obstacles such as rocks, tree limbs, etc.
- Watch for holes, ruts, or bumps. Tall grass can hide obstacles.

### DO NOT:

- Do not trim near drop-offs, ditches or embankments. The operator could lose footing or balance.
- Do not trim excessively steep slopes.
- Do not mow on wet grass. Reduced footing could cause slipping.

## III. CHILDREN

Tragic accidents can occur if the operator is not alert to the presence of children. Children are often attracted to the machine and the mowing activity. *Never* assume that children will remain where you last saw them.

- Keep children out of the trimming area and under the watchful care of another responsible adult.
- Be alert and turn machine off if children enter the area.
- Before and while walking backwards, look behind and *down* for small children.
- Never allow children to operate the machine.
- Use extra care when approaching blind corners, shrubs, trees, or other objects that may obscure vision.

## IV. SAFE HANDLING OF GASOLINE

Use extreme care in handling gasoline. Gasoline is extremely flammable and the vapors are explosive.

- Extinguish all cigarettes, cigars, pipes and other sources of ignition.
- Use only an approved container.
- Never remove gas cap or add fuel with the engine running. Allow engine to cool before refueling.
- Never refuel the machine indoors.
- Never store the machine or fuel container where there is an open flame, spark or pilot light such as a water heater or on other appliances.

- Never fill containers inside a vehicle, on a truck or trailer bed with a plastic liner. Always place containers on the ground away from your vehicle before filling.
- Remove gas-powered equipment from the truck or trailer and refuel it on the ground. If this is not possible, then refuel such equipment with a portable container, rather than from a gasoline dispenser nozzle.
- Keep the nozzle in contact with the rim of the fuel tank or container opening at all times until fueling is complete. Do not use a nozzle lock-open device.
- If fuel is spilled on clothing, change clothing immediately.
- Never overfill fuel tank. Replace gas cap and tighten securely.
- Keep nuts and bolts, especially blade attachment bolts, tight and keep equipment in good condition.
- Never tamper with safety devices. Check their proper operation regularly.
- Keep machine free of grass, leaves, or other debris build-up. Clean oil or fuel spillage. Allow machine to cool before storing.
- Stop and inspect the equipment if you strike an object. Repair, if necessary, before restarting.
- Never attempt to make wheel height adjustments while the engine is running.
- Grass catcher components are subject to wear, damage, and deterioration, which could expose moving parts or allow objects to be thrown. Frequently check components and replace with manufacturer's recommended parts, when necessary.
- Mower blades are sharp and can cut. Wrap the blade(s) or wear gloves, and use extra caution when servicing them.
- Do not change the engine governor setting or overspeed the engine.
- Maintain or replace safety and instruction labels, as necessary.

## V. GENERAL SERVICE

- Never run a machine inside a closed area.
- Never make adjustments or repairs with the engine (motor) running. Disconnect the spark plug wire, and keep the wire away from the plug to prevent accidental starting.

**⚠WARNING:** This lawn mower is equipped with an internal combustion engine and should not be used on or near any unimproved forest-covered, brush-covered or grass-covered land unless the engine's exhaust system is equipped with a spark arrester meeting applicable local or state laws (if any). If a spark arrester is used, it should be maintained in effective working order by the operator. In the state of California the above is required by law (Section 4442 of the California Public Resources Code). Other states may have similar laws. Federal laws apply on federal lands. A spark arrester for the muffler is available through your nearest Sears Parts & Repair Center (See the REPAIR PARTS section of this manual).

## PRODUCT SPECIFICATIONS

Serial Number:	
Date of Purchase:	
Gasoline Capacity / Type:	1.6 Quarts (Unleaded Regular)
Oil Capacity:	20 Ounces
Oil Type (API SG–SL):	SAE 30 (above 32°F); SAE 5W-30 (below 32°F)
Spark Plug:	Champion RJ2YXLE (Gap: .020")
Blade Bolt Torque:	35–40 ft. lbs.
<ul style="list-style-type: none"> <li>• The model and serial numbers will be found on a decal on the rear of the lawn mower housing. Record both serial number and date of purchase in space provided above.</li> </ul>	

## Repair Protection Agreements

*Congratulations on making a smart purchase. Your new Craftsman® product is designed and manufactured for years of dependable operation. But like all products, it may require repair from time to time. That's when having a Repair Protection Agreement can save you money and aggravation.*

*Purchase a Repair Protection Agreement now and protect yourself from unexpected hassle and expense.*

Here's what's included in the Agreement:

- **Expert service** by our 12,000 professional repair specialists.
- **Unlimited service and no charge** for parts and labor on all covered repairs.
- **Product replacement** if your covered product can't be fixed.
- **Discount of 10%** from regular price of service and service-related parts not covered by the agreement; also, 10% off regular price of preventive maintenance check.

- **Fast help by phone** – phone support from a Sears representative on products requiring in-home repair, plus convenient repair scheduling.

Once you purchase the Agreement, a simple phone call is all that it takes for you to schedule service. You can call anytime day or night, or schedule a service appointment online.

Sears has over 12,000 professional repair specialists, who have access to over 4.5 million quality parts and accessories.

That's the kind of professionalism you can count on to help prolong the life of your new purchase for years to come. Purchase your Repair Protection Agreement today!

**Some limitations and exclusions apply. For prices and additional information call 1-800-827-6655.**

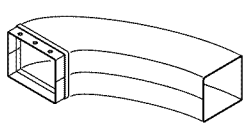

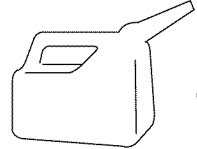
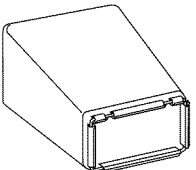
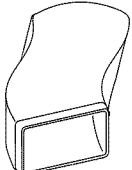
### Sears Installation Service

*For Sears professional installation of home appliances, garage door openers, water heaters, and other major home items, in the U.S.A. call 1-800-4-MY-HOME®.*

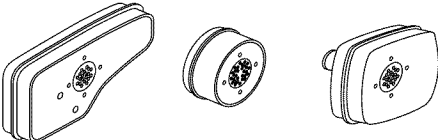
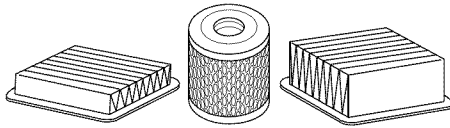
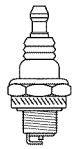
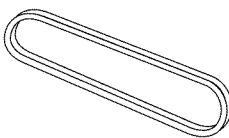
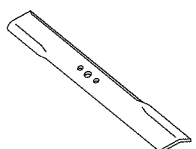
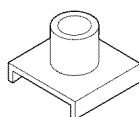


## ACCESSORIES

These accessories were available when this lawn mower was produced. **They are not shipped with your mower.** They are also available at most Sears retail outlets and service centers. Some of these accessories may not apply to your lawn mower.

### LAWN MOWER PERFORMANCE

 <p><b>CLIPPING DEFLECTORS FOR REAR DISCHARGE LAWN MOWERS</b></p>	 <p><b>STABILIZER</b></p>	 <p><b>GAS CANS</b></p>
 <p><b>GRASS CATCHERS FOR REAR DISCHARGE LAWN MOWERS</b></p>	 <p><b>GRASS CATCHERS FOR SIDE DISCHARGE LAWN MOWERS</b></p>	

### LAWN MOWER MAINTENANCE

 <p><b>MUFFLERS</b></p>		 <p><b>AIR FILTERS</b></p>		 <p><b>SPARK PLUGS</b></p>
 <p><b>BELTS</b></p>	 <p><b>BLADES</b></p>	 <p><b>BLADE ADAPTERS</b></p>	 <p><b>WHEELS</b></p>	 <p><b>ENGINE OIL</b></p>

## ASSEMBLY / PRE-OPERATION

Read these instructions and this manual in its entirety before you attempt to assemble or operate your new lawn mower.

**IMPORTANT:** This lawn mower is shipped WITHOUT OIL OR GASOLINE in the engine. Your new lawn mower has been assembled at the factory with the exception of those parts left unassembled for shipping purposes. To ensure safe and proper operation of your lawn mower, all parts and hardware you assemble must be tightened securely. Use the correct tools as necessary to ensure proper tightness. All parts such as nuts, washers, bolts, etc., necessary to complete the assembly have been placed in the parts bag.

### TO REMOVE MOWER FROM CARTON

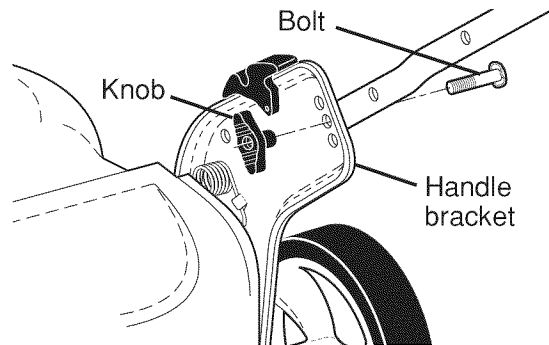
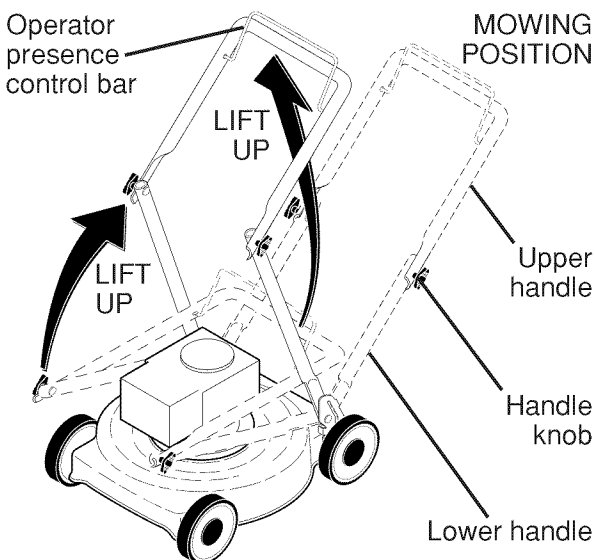
1. Remove loose parts included with mower.
2. Cut down two end corners of carton and lay end panel down flat.
3. Remove all packing materials except padding between upper and lower handle and padding holding operator presence control bar to upper handle.
4. Roll lawn mower out of carton and check carton thoroughly for additional loose parts.

### HOW TO SET UP YOUR MOWER TO UNFOLD HANDLE

**IMPORTANT:** Unfold handle carefully so as not to pinch or damage control cables.

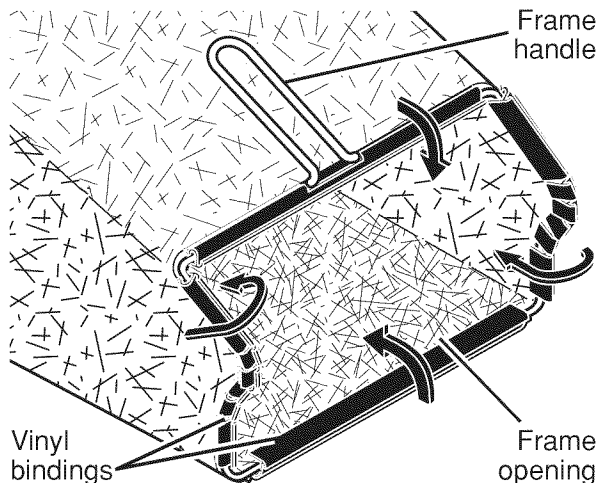
1. Raise handles until lower handle section locks into place in mowing position.
2. Remove protective padding, raise upper handle section into place on lower handle and tighten both handle knobs.
3. Remove handle padding holding operator presence control bar to upper handle.

Your lawn mower handle can be adjusted for your mowing comfort. Refer to "ADJUST HANDLE" in the Service and Adjustments section of this manual.



### TO ASSEMBLE GRASS CATCHER

1. Put grass catcher frame into grass bag with rigid part of bag on the bottom. Make sure the frame handle is outside of the bag top.
  2. Slip vinyl bindings over frame.
- NOTE:** If vinyl bindings are too stiff, hold them in warm water for a few minutes. If bag gets wet, let it dry before using.



### TO INSTALL ATTACHMENTS

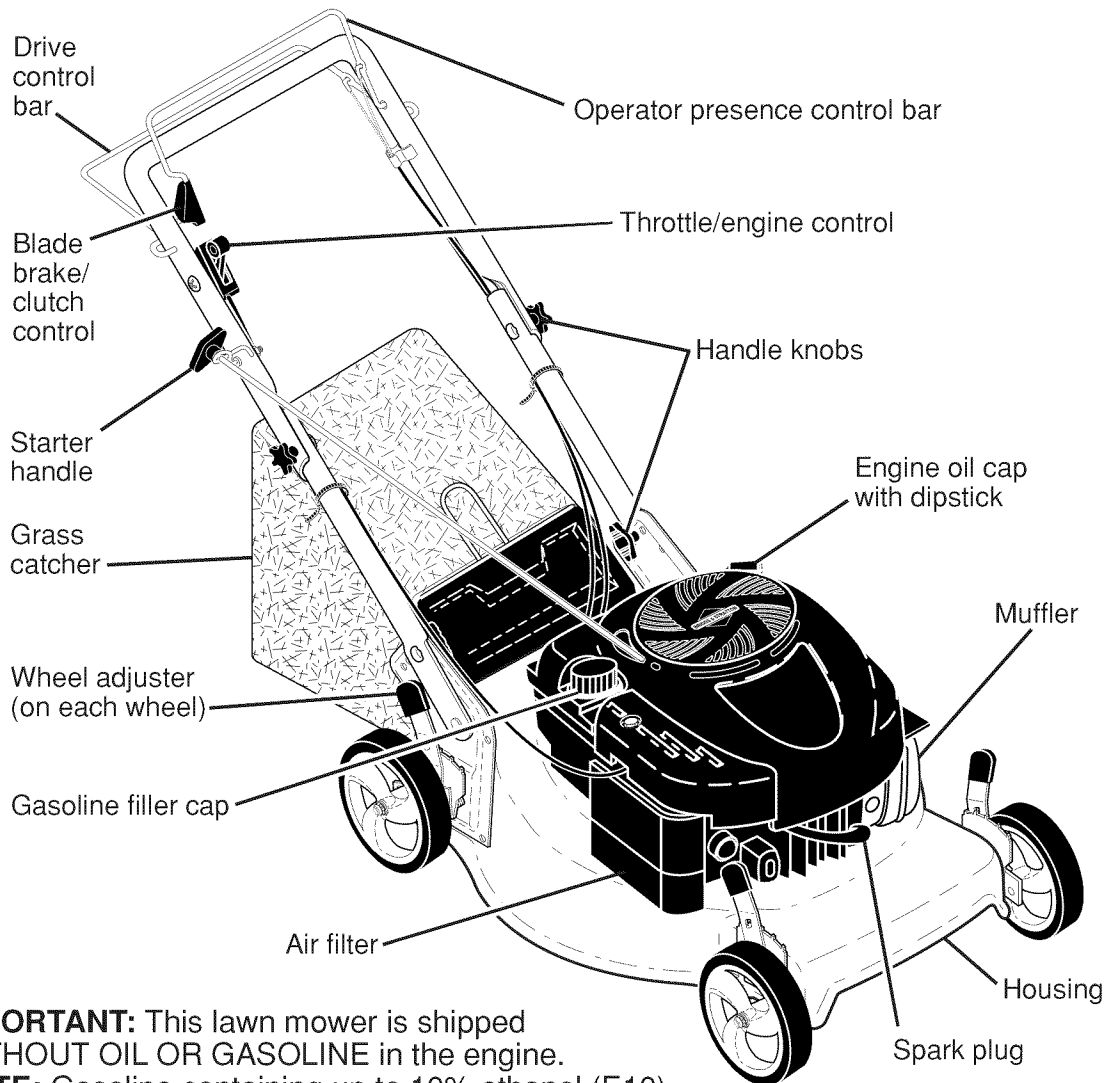
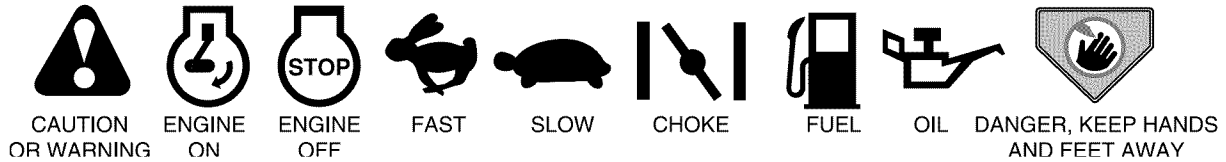
Your lawn mower was shipped ready to be used as a mulcher. To convert mower to bagging or discharging, see "TO CONVERT MOWER" in the Operation section of this manual.

# OPERATION

## KNOW YOUR LAWN MOWER

READ THIS OWNER'S MANUAL AND ALL SAFETY RULES BEFORE OPERATING YOUR MOWER. Compare the illustrations with your mower to familiarize yourself with the location of various controls and adjustments. Save this manual for future reference.

These symbols may appear on your lawn mower or in literature supplied with the product. Learn and understand their meaning.



**IMPORTANT:** This lawn mower is shipped WITHOUT OIL OR GASOLINE in the engine.

**NOTE:** Gasoline containing up to 10% ethanol (E10) is acceptable for use in this machine. The use of any gasoline exceeding 10% ethanol (E10) will void the product warranty.

### MEETS CPSC SAFETY REQUIREMENTS

Sears rotary walk-behind power lawn mowers conform to the safety standards of the American National Standards Institute and the U.S. Consumer Product Safety Commission.

**Operator presence control bar** – must be held down to the handle to start the blade. Release to stop the blade.

**Throttle/engine control** – used for starting & stopping engine; and allows you to select either FAST or SLOW engine speed.

**Blade brake/clutch control** – used to engage the blade after the engine is started.

**Starter handle** – used for starting engine.

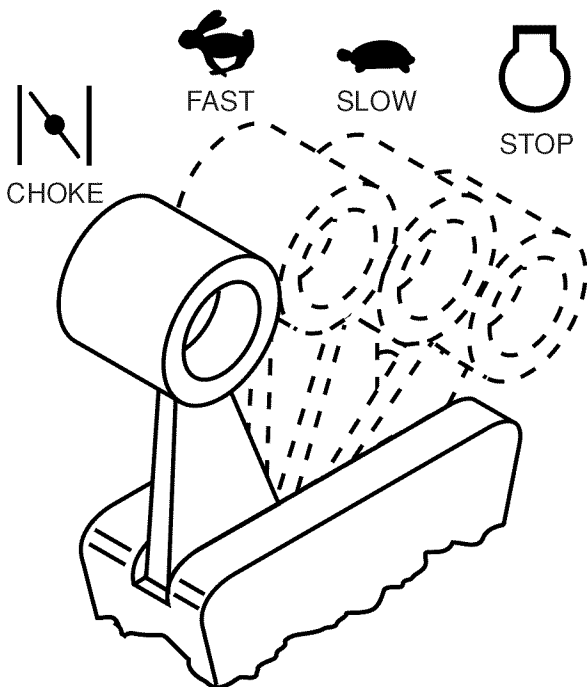
**Drive control bar** – used to engage power-propelled forward motion of mower.



The operation of any lawn mower can result in foreign objects thrown into the eyes, which can result in severe eye damage. Always wear safety glasses or eye shields while operating your lawn mower or performing any adjustments or repairs. We recommend a standard safety glasses or wide vision safety mask worn over spectacles.

## HOW TO USE YOUR MOWER THROTTLE / ENGINE CONTROL

The engine is controlled by a throttle control located on the side of the upper handle. START position is for starting a cold engine; FAST position is for starting a warm engine, normal cutting, trimming and better grass bagging; SLOW position is for light cutting, trimming and fuel economy, and STOP position is for stopping the engine.



## BLADE CONTROL

**CAUTION:** When the blade control is engaged, the blade turns.

- To start the blade, push the blade/brake control lever forward (1) and hold the operator presence control bar down to the handle (2). To stop the blade, release the operator presence control bar.

Allow a cold engine to warm up in high idle position for one minute before engaging blade.

**NOTE:** It is normal to hear the belt slip as the blade is engaged and comes up to speed.

- Do not start the blade in uncut grass. Move the mower out of uncut grass before starting the blade.

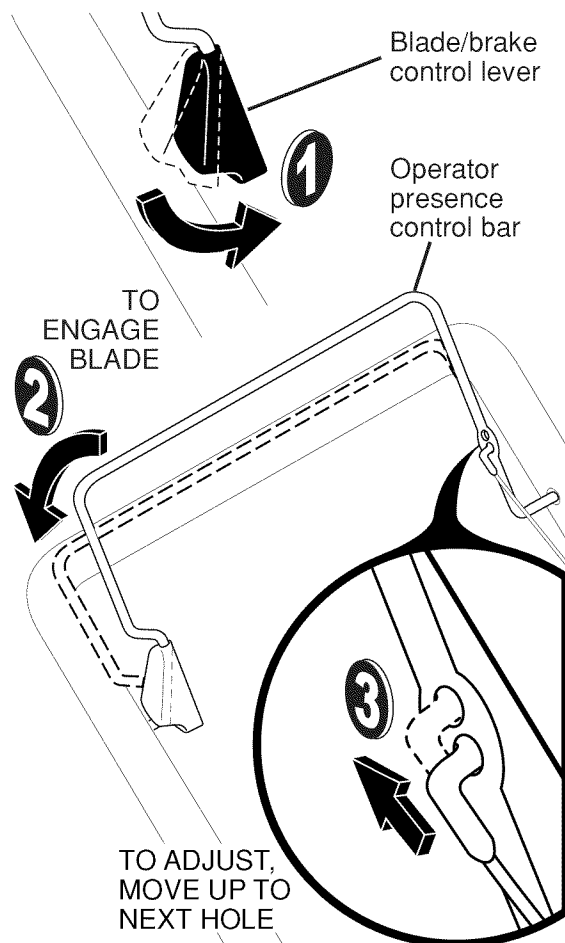
**CAUTION:** Federal regulations require this blade/brake control to minimize the risk of blade contact injury. Do not under any circumstances attempt to defeat the function of this control.

## BLADE CONTROL ADJUSTMENT

Over time, the blade control system may become “loose”, resulting in decreased blade speed. There are holes in the operator presence control bar to increase tension on the belt. Proceed as follows:

- Turn unit off and disconnect spark plug wire from spark plug.
- Move cable end to the next hole (3).
- Operate mower to test blade speed.

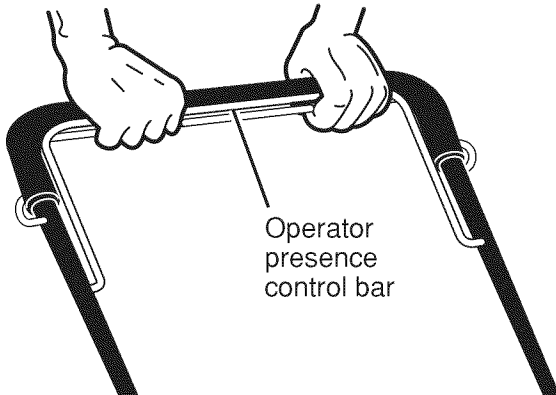
If condition fails to improve after the above steps (blade speed remains the same), your belt is worn and should be replaced.



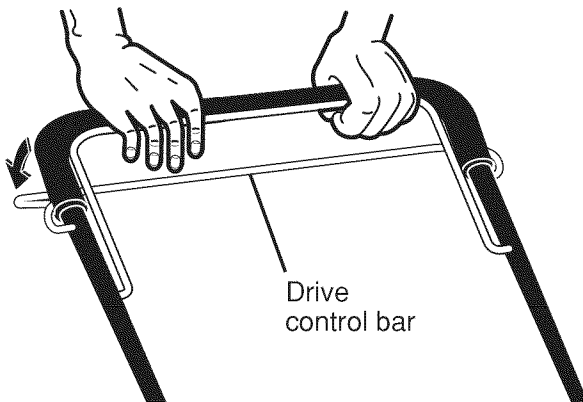
## TO OPERATE DRIVE SYSTEM

- To start forward motion, lift drive control bar up to handle.
- To stop forward motion, release drive control bar.

**IMPORTANT:** Always keep drive control fully engaged against handle when in use.



DRIVE CONTROL ENGAGED



DRIVE CONTROL DISENGAGED

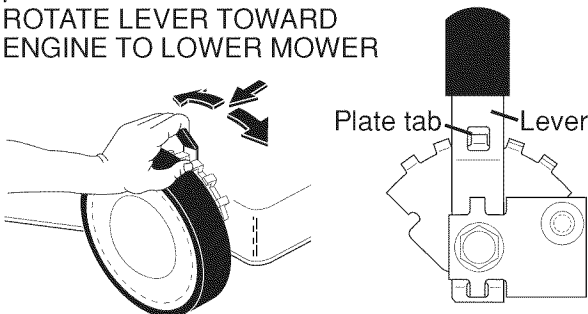
## TO ADJUST CUTTING HEIGHT

Raise wheels for low cut and lower wheels for high cut, adjust cutting height to suit your requirements. Medium position is best for most lawns.

- To change cutting height, squeeze adjuster lever toward wheel. Move wheel up or down to suit your requirements. Be sure all wheels are in the same setting.

**NOTE:** Adjuster is properly positioned when plate tab inserts into hole in lever. Also, 9-position adjusters (if so equipped) allow lever to be positioned between the plate tabs.

ROTATE LEVER TOWARD ENGINE TO LOWER MOWER

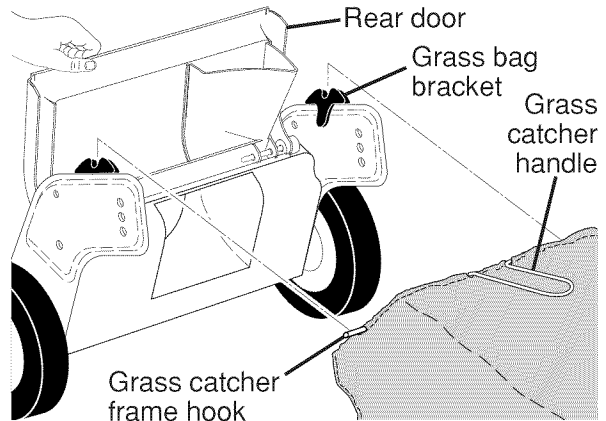


ROTATE LEVER AWAY FROM ENGINE TO RAISE MOWER

## TO CONVERT MOWER

Your lawn mower was shipped ready to be used as a mulcher. To convert to rear bagging:

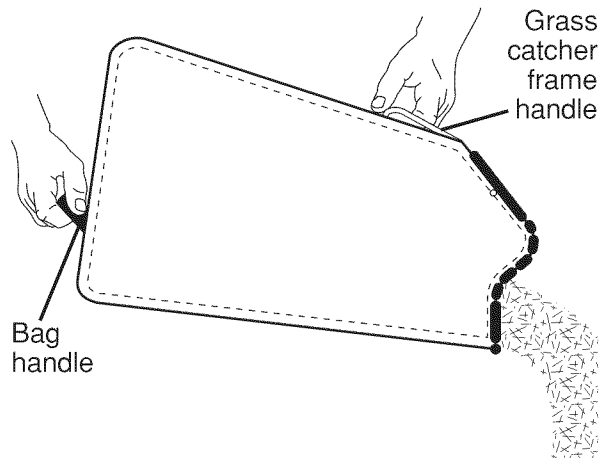
- Lift rear door of the lawn mower and place the grass catcher frame hooks onto the grass bag brackets.
- To convert to mulching or discharging operation, remove grass catcher and close rear door.



## TO EMPTY GRASS CATCHER

1. Lift up on grass catcher using the frame handle.
2. Remove grass catcher with clippings from under lawn mower handle.
3. Empty clippings from bag using both frame handle and bag handle.

**NOTE:** Do not drag the bag when emptying; it will cause unnecessary wear.



## BEFORE STARTING ENGINE

### ADD OIL

Your lawnmower is shipped without oil in the engine. For type and grade of oil to use, see "ENGINE" in the Maintenance section of this manual.

**⚠ CAUTION:** DO NOT overfill engine with oil, or it will smoke heavily from the muffler on startup.

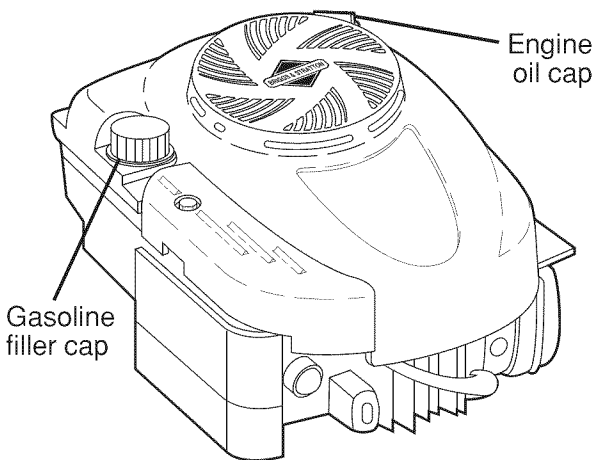
1. Be sure lawnmower is level.
2. Remove oil dipstick from oil fill spout.
3. You receive a container of oil with the unit. Slowly pour the entire container down the oil fill spout into the engine.

**NOTE:** Initial oil fill requires only 18 oz. due to residual oil in engine from the manufacturer's 100% quality testing. When changing oil you may need 20 oz.

4. Insert and tighten dipstick.

### IMPORTANT:

- Check oil level before each use. Add oil if needed. Fill to full line on dipstick.
- Change the oil after every 25 hours of operation or each season. You may need to change the oil more often under dusty, dirty conditions. See "TO CHANGE ENGINE OIL" in the Maintenance section of this manual.



### ADD GASOLINE

- Fill fuel tank to bottom of tank filler neck. Do not overfill. Use fresh, clean, regular unleaded gasoline with a minimum of 87 octane. Do not mix oil with gasoline. Purchase fuel in quantities that can be used within 30 days to assure fuel freshness.

**⚠ CAUTION:** Wipe off any spilled oil or fuel. Do not store, spill or use gasoline near an open flame.

**⚠ CAUTION:** Alcohol blended fuels (called gasohol or using ethanol or methanol) can attract moisture which leads to separation and formation of acids during storage. Acidic gas can damage the fuel system of an engine while in storage. To avoid engine problems, the fuel system should be emptied before storage of 30 days or longer. Empty the gas tank, start the engine and let it run until the fuel lines and carburetor are empty. Use fresh fuel next season. See Storage Instructions for additional information. Never use engine or carburetor cleaner products in the fuel tank or permanent damage may occur.

### TO STOP ENGINE

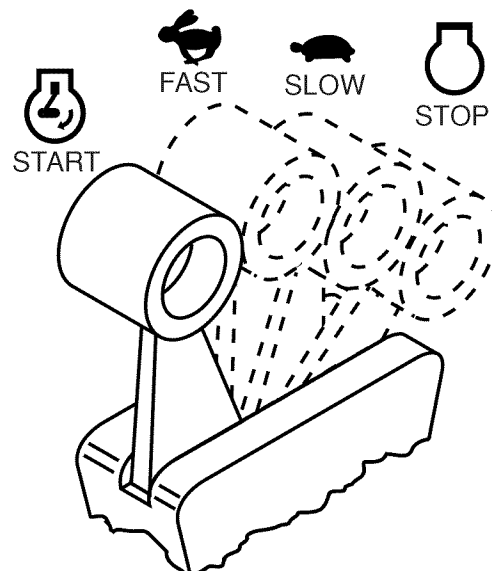
- To stop engine, place throttle/engine control in STOP position.

### TO START ENGINE

**NOTE:** Due to protective coatings on the engine, a small amount of smoke may be present during the initial use of the product and should be considered normal.

**NOTE:** Your engine is equipped with an automatic choke system. No priming or choking is required before starting.

- To start a cold engine, place throttle/engine control in START position. This step is not usually necessary when starting an engine which has already run for a few minutes.
- To start a warm engine, place throttle/engine control in FAST position and pull starter handle quickly. Do not allow starter rope to snap back.



## MOWING TIPS

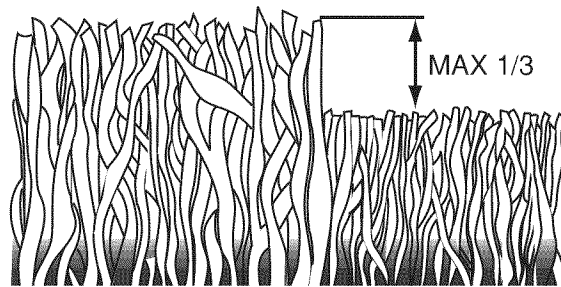
**⚠ CAUTION:** Do not use de-thatcher blade attachments on your mower. Such attachments are hazardous, will damage your mower and could void your warranty.

- Under certain conditions, such as very tall grass, it may be necessary to raise the height of cut to reduce pushing effort and to keep from overloading the engine and leaving clumps of grass clippings. It may also be necessary to reduce ground speed and/or run the lawn mower over the area a second time.
- For extremely heavy cutting, reduce the width of cut by overlapping previously cut path and mow slowly.
- For better grass bagging and most cutting conditions, the engine speed should be set in the FAST position.
- When using a rear discharge lawn mower in moist, heavy grass, clumps of cut grass may not enter the grass catcher. Reduce ground speed (pushing speed) and/or run the lawn mower over the area a second time.
- If a trail of clippings is left on the right side of a rear discharge mower, mow in a clockwise direction with a small overlap to collect the clippings on the next pass.
- Pores in cloth grass catchers can become filled with dirt and dust with use and catchers will collect less grass. To prevent this, regularly hose catcher off with water and let dry before using.
- Keep top of engine around starter clear and clean of grass clippings and chaff. This will help engine air flow and extend engine life.

## MULCHING MOWING TIPS

**IMPORTANT:** For best performance, keep mower housing free of built-up grass and trash. See "CLEANING" in the Maintenance section of this manual.

- The special mulching blade will recut the grass clippings many times and reduce them in size so that as they fall onto the lawn they will disperse into the grass and not be noticed. Also, the mulched grass will biodegrade quickly to provide nutrients for the lawn. Always mulch with your highest engine (blade) speed as this will provide the best recutting action of the blades.
- Avoid cutting your lawn when it is wet. Wet grass tends to form clumps and interferes with the mulching action. The best time to mow your lawn is the early afternoon. At this time the grass has dried, yet the newly cut area will not be exposed to direct sunlight.
- For best results, adjust the lawn mower cutting height so that the lawn mower cuts off only the top one-third of the grass blades. If the lawn is overgrown it will be necessary to raise the height of cut to reduce pushing effort and to keep from overloading the engine and leaving clumps of mulched grass. For extremely heavy grass, reduce your width of cut by overlapping previously cut path and mow slowly.



- Certain types of grass and grass conditions may require that an area be mulched a second time to completely hide the clippings. When doing a second cut, mow across or perpendicular to the first cut path.
- Change your cutting pattern from week to week. Mow north to south one week then change to east to west the next week. This will help prevent matting and graining of the lawn.

# MAINTENANCE

<b>MAINTENANCE SCHEDULE</b>		<b>BEFORE EACH USE</b>	<b>AFTER EACH USE</b>	<b>EVERY 10 HOURS</b>	<b>EVERY 25 HOURS OR SEASON</b>	<b>EVERY 100 HOURS</b>	<b>BEFORE STORAGE</b>
<b>LAWN MOWER</b>	Check for Loose Fasteners	✓					✓
	Clean / Inspect Grass Catcher *	✓	✓				✓
	Check Tires	✓					
	Check Drive Wheels ***	✓					
	Clean Lawn Mower ****		✓				✓
	Clean under Drive Cover ***			✓			
	Check Drive Belt / Pulleys ***				✓		
	Check / Sharpen / Replace Blade				✓ <sub>3</sub>		
	Lubrication				✓		
	Clean and Recharge Battery **				✓		✓ <sub>4</sub>
<b>ENGINE</b>	Check Engine Oil level	✓ <sub>5</sub>					
	Change Engine Oil				✓ <sub>1,2</sub>		
	Clean Air Filter				✓ <sub>2</sub>		
	Inspect Muffler				✓		
	Replace Spark Plug					✓	
	Replace Air Filter Paper Cartridge					✓ <sub>2</sub>	
	Empty fuel system or add Stabilizer						✓

- \* (if so equipped)
- \*\* Electric-Start mowers
- \*\*\* Power-Propelled mowers
- \*\*\*\* Use a scraper to clean under deck
- 1 - Change more often if operating under a heavy load or in high outdoor temperatures.
- 2 - Service more often if operating in dirty or dusty conditions.
- 3 - Replace blades more often when mowing in sandy soil.
- 4 - Charge 48 hours at end of season.
- 5 - And after each 5 hours of use.

## GENERAL RECOMMENDATIONS

The warranty on this lawn mower does not cover items that have been subjected to operator abuse or negligence. To receive full value from the warranty, operator must maintain unit as instructed in this manual. Some adjustments will need to be made periodically to properly maintain your unit. At least once a season, check to see if you should make any of the adjustments described in the Service and Adjustments section of this manual.

- At least once a year, replace the spark plug, clean or replace air filter element and check blade for wear. A new spark plug and clean/new air filter element assure proper air-fuel mixture and help your engine run better and last longer.
- Follow the maintenance schedule in this manual.

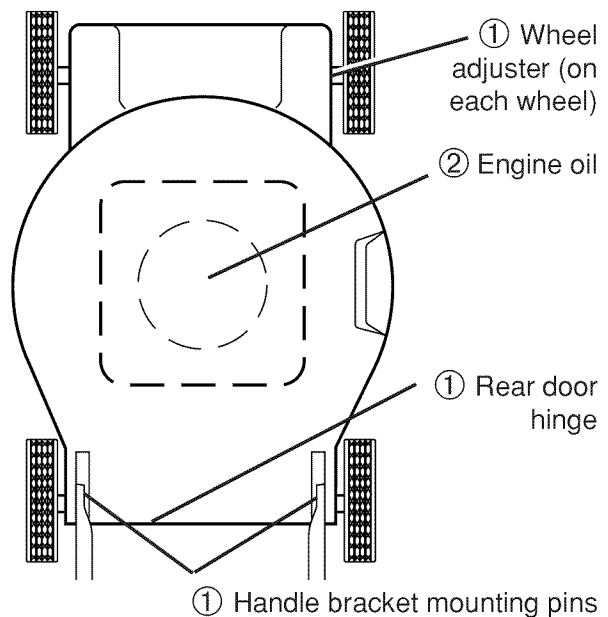
## BEFORE EACH USE

- Check engine oil level.
- Check for loose fasteners.

## LUBRICATION

Keep unit well lubricated (See "LUBRICATION CHART").

## LUBRICATION CHART



- ① Spray lubricant
- ② See "ENGINE" in Maintenance section.

**IMPORTANT:** Do not oil or grease plastic wheel bearings. Viscous lubricants will attract dust and dirt that will shorten the life of the self-lubricating bearings. If you feel they must be lubricated, use only a dry, powdered graphite type lubricant sparingly.

## LAWN MOWER

Always observe safety rules when performing any maintenance.

### TIRES

- Keep tires free of gasoline, oil, or insect control chemicals which can harm rubber.
- Avoid stumps, stones, deep ruts, sharp objects and other hazards that may cause tire damage.

### DRIVE WHEELS

Check rear drive wheels each time before you mow to be sure they move freely. The wheels not turning freely means trash, grass cuttings, etc. are in the drive wheel area and must be cleaned to free drive wheels.

If necessary to clean the drive wheels, be sure to clean both rear wheels.

### BLADE CARE

For best results, mower blade must be kept sharp. Replace a bent or damaged blade.

**⚠ CAUTION:** Use only a replacement blade approved by the manufacturer of your mower. Using a blade not approved by the manufacturer of your mower is hazardous, could damage your mower and void your warranty.

#### TO REMOVE BLADE

1. Disconnect spark plug wire from spark plug and place wire where it cannot come in contact with plug.
2. Turn lawn mower on its side. Make sure air filter and carburetor are up.
3. Use a wood block between blade and mower housing to prevent blade from turning when removing blade bolts.

**NOTE:** Protect your hands with gloves and/or wrap blade with heavy cloth.

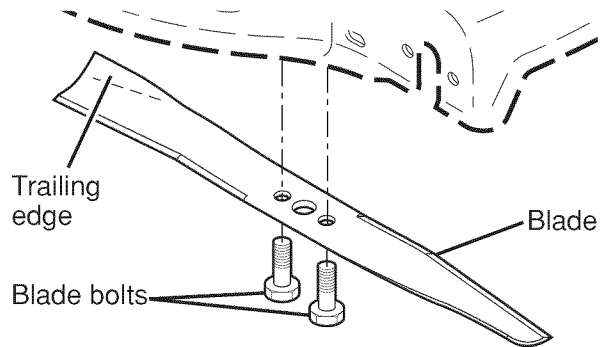
4. Remove blade bolts by turning counter-clockwise.
5. Remove blade.

#### TO REPLACE BLADE

1. Position the blade on the Blade Brake/Clutch.
2. Be sure the trailing edge of blade (opposite sharp edge) is up toward the engine.
3. Install the blade bolts into Blade Brake/Clutch.
4. Use block of wood between blade and lawn mower housing and tighten the blade bolts, turning clockwise.

- The recommended tightening torque is 36–44 ft. lbs.

**IMPORTANT:** Blade bolts are heat treated. If bolts need replacing, replace only with approved bolts shown in the Repair Parts section of this manual.



#### TO SHARPEN BLADE

**NOTE:** We do not recommend sharpening blade - but if you do, be sure the blade is balanced. An unbalanced blade will cause eventual damage to lawn mower or engine.

- The blade can be sharpened with a file or on a grinding wheel. Do not attempt to sharpen while on the mower.
- To check blade balance, drive a nail into a beam or wall. Leave about one inch of the straight nail exposed. Place center hole of blade over the head of the nail. If blade is balanced, it should remain in a horizontal position. If either end of the blade moves downward, sharpen the heavy end until the blade is balanced.

#### GRASS CATCHER

- The grass catcher may be hosed with water, but must be dry when used.
- Check your grass catcher often for damage or deterioration. Through normal use it will wear. If catcher needs replacing, replace only with approved replacement catcher shown in the Repair Parts section of this manual. Give the lawn mower model number when ordering.

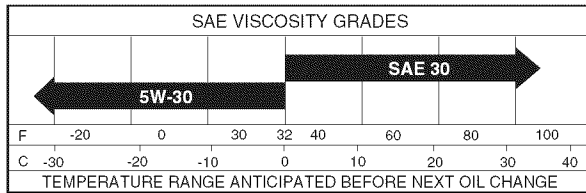
#### GEAR CASE

- To keep your drive system working properly, the gear case and area around the drive should be kept clean and free of trash build-up. Clean under the drive cover twice a season.
- The gear case is filled with lubricant to the proper level at the factory. The only time the lubricant needs attention is if service has been performed on the gear case.

## ENGINE

### LUBRICATION

Use only high quality detergent oil rated with API service classification SG-SL. Select the oil's SAE viscosity grade according to your expected operating temperature.



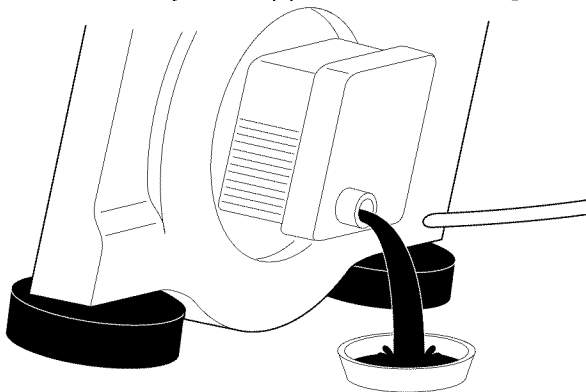
**NOTE:** Although multi-viscosity oils (5W30, 10W30 etc.) improve starting in cold weather, these multi-viscosity oils will result in increased oil consumption when used above 32°F. Check your engine oil level more frequently to avoid possible engine damage from running low on oil. Change the oil after every 25 hours of operation or at least once a year if the lawn mower is not used for 25 hours in one year.

Check the crankcase oil level before starting the engine and after each five (5) hours of continuous use. Tighten oil plug securely each time you check the oil level.

### TO CHANGE ENGINE OIL

**NOTE:** Before tipping lawn mower to drain oil, empty fuel tank by running engine until fuel tank is empty.

1. Disconnect spark plug wire from spark plug and place wire where it cannot come in contact with plug.
2. Remove engine oil cap; lay aside on a clean surface.
3. Tip lawn mower on its side as shown and drain oil into a suitable container. Rock lawn mower back and forth to remove any oil trapped inside of engine.



4. Wipe off any spilled oil from lawn mower or side of engine.
5. Slowly pour oil down the oil fill spout, stopping every few ounces to check the oil level with the dipstick.

6. Stop adding oil when you reach the FULL mark on the dipstick. Wait a minute to allow oil to settle.
7. Continue adding small amounts of oil, rechecking the dipstick until oil level settles at FULL. DO NOT overfill, or engine will smoke heavily from the muffler on startup.
8. Always be sure to retighten oil dipstick before starting engine.
9. Reconnect spark plug wire to spark plug.

### AIR FILTER

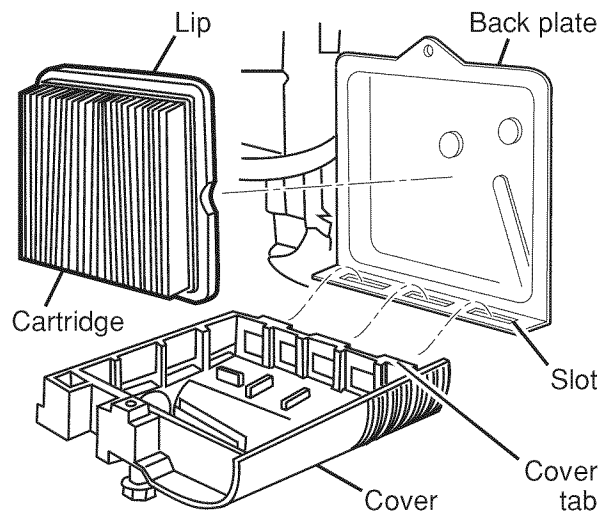
Your engine will not run properly and may be damaged by using a dirty air filter. Replace the air filter cartridge every 100 hours of operation or every season, whichever occurs first. Service air cleaner more often under dusty conditions.

### TO CLEAN AIR FILTER

1. Loosen screw and tilt cover to remove.
2. Carefully remove cartridge.
3. Clean by gently tapping on a flat surface. If very dirty, replace cartridge.

**CAUTION:** Petroleum solvents, such as kerosene, are not to be used to clean cartridge. They may cause deterioration of the cartridge. Do not oil cartridge. Do not use pressurized air to clean or dry cartridge.

4. Install cartridge, then replace cover making sure the tabs are aligned with the slots in the back plate. Fasten screw securely.



### MUFFLER

Inspect and replace corroded muffler as it could create a fire hazard and/or damage.

## SPARK PLUG

Replace spark plug at the beginning of each mowing season or after every 100 hours of operation, whichever occurs first. Spark plug type and gap setting are shown in the "PRODUCT SPECIFICATIONS" section of this manual.

## CLEANING

**IMPORTANT:** For best performance, keep mower housing free of built-up grass and trash. Clean the underside of your mower after each use.

**CAUTION:** Disconnect spark plug wire from spark plug and place wire where it cannot come in contact with plug.

- Clean the underside of your lawn mower by scraping to remove build-up of grass and trash.

- Clean engine often to keep trash from accumulating. A clogged engine runs hotter and shortens engine life.
- Keep finished surfaces and wheels free of all gasoline, oil, etc.
- We do not recommend using a garden hose to clean lawn mower unless the electrical system, muffler, air filter and carburetor are covered to keep water out. Water in engine can result in shortened engine life.

## CLEAN UNDER DRIVE COVER

Clean under drive cover at least twice a season. Scrape underside of cover with putty knife or similar tool to remove any build-up of trash or grass on underside of drive cover.

# SERVICE AND ADJUSTMENTS

**WARNING:** To avoid serious injury, before performing any service and adjustments:

1. Release control bar and stop engine.
2. Make sure the blade and all moving parts have completely stopped.
3. Disconnect spark plug wire from spark plug and place wire where it cannot come in contact with plug.

## LAWN MOWER

### TO ADJUST CUTTING HEIGHT

See "TO ADJUST CUTTING HEIGHT" in the Operation section of this manual.

### REAR DEFLECTOR

The rear deflector, attached between the rear wheels of your mower, is provided to minimize the possibility that objects will be thrown out of the rear of the mower into the operator mowing position. If the deflector becomes damaged, it should be replaced.

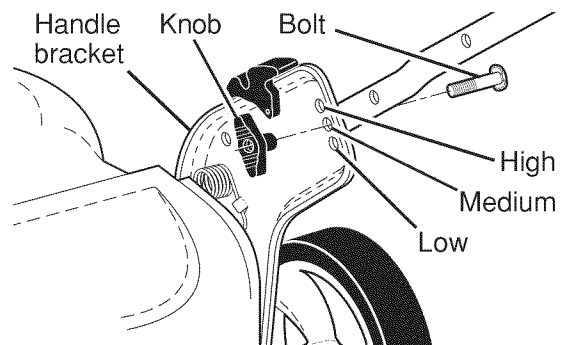
### DRIVE BELT

If your mower does not operate properly due to suspected drive belt problems, take your mower to a Sears or other qualified service center for repair and/or adjustment.

### TO ADJUST HANDLE

Your handle has three (3) height positions - adjust to a height that suits you.

1. Remove knob and carriage bolt on one side of the lower handle.
2. While holding handle assembly, remove knob and carriage bolt from opposite side, align hole in handle with desired hole in handle bracket and reassemble bolt and knob and tighten securely.
3. Align opposite side of handle with same positioning hole and secure with bolt and knob.



## ENGINE

### ENGINE SPEED

Your engine speed has been factory set. Do not attempt to increase engine speed or it may result in personal injury. If you believe that engine is running too fast or too slow, take your mower to a Sears or other qualified service center for repair and adjustment.

## CARBURETOR

Your carburetor is not adjustable. If your engine does not operate properly due to suspected carburetor problems, take your lawn mower to a Sears or other qualified service center for repair and/or adjustment.

**IMPORTANT:** Never tamper with the engine governor, which is factory set for proper engine speed. Overspeeding the engine above the factory high speed setting can be dangerous. If you think the engine-governed high speed needs adjusting, contact a Sears or other qualified service center, which has proper equipment and experience to make any necessary adjustments.

## STORAGE

Immediately prepare your lawn mower for storage at the end of the season or if the unit will not be used for 30 days or more.

### LAWN MOWER

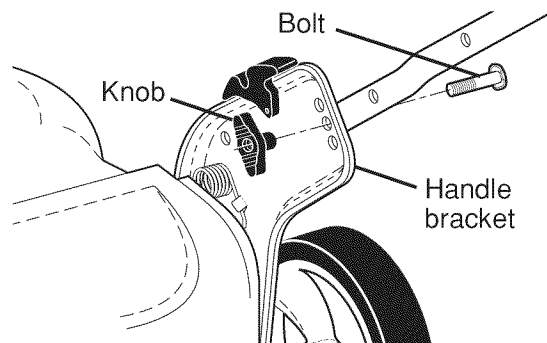
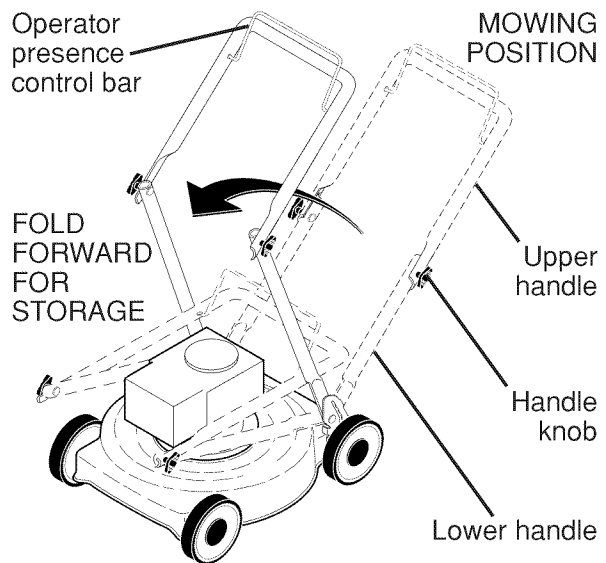
When lawn mower is to be stored for a period of time, clean it thoroughly, remove all dirt, grease, leaves, etc. Store in a clean, dry area.

1. Clean entire lawn mower (See "CLEANING" in the Maintenance section of this manual).
2. Lubricate as shown in the Maintenance section of this manual.
3. Be sure that all nuts, bolts, screws, and pins are securely fastened. Inspect moving parts for damage, breakage and wear. Replace if necessary.
4. Touch up all rusted or chipped paint surfaces; sand lightly before painting.

### HANDLE

You can fold your handle for storage.

1. Loosen the two (2) handle knobs on sides of the upper handle and allow handle to fold down to the rear.
  2. Remove the two (2) handle knobs and carriage bolts on sides of the lower handle and pivot entire handle assembly forward and allow it to rest on mower.
  3. Reinstall knobs and carriage bolts to lower handle / handle brackets for safe keeping.
- When setting up your handle from the storage position, lower handle will require manually locking into mowing position.



**IMPORTANT:** When folding the handle for storage or transportation, be sure to fold the handle as shown or you may damage the control cables.

## ENGINE

### FUEL SYSTEM

**IMPORTANT:** It is important to prevent gum deposits from forming in essential fuel system parts such as carburetor, fuel filter, fuel hose, or tank during storage. Alcohol blended fuels (called gasohol or using ethanol or methanol) can attract moisture which leads to separation and formation of acids during storage. Acidic gas can damage the fuel system of an engine while in storage.

- Empty the fuel tank by starting the engine and letting it run until the fuel lines and carburetor are empty.
- Never use engine or carburetor cleaner products in the fuel tank or permanent damage may occur.
- Use fresh fuel next season.

**NOTE:** Fuel stabilizer is an acceptable alternative in minimizing the formation of fuel gum deposits during storage. Add stabilizer to gasoline in fuel tank or storage container. Always follow the mix ratio found on stabilizer container. Run engine at least 10 minutes after adding stabilizer to allow the stabilizer to reach the carburetor. Do not empty the gas tank and carburetor if using fuel stabilizer.

## ENGINE OIL

Drain oil (with engine warm) and replace with clean engine oil. (See "ENGINE" in the Maintenance section of this manual).

### CYLINDER

1. Remove spark plug.
2. Pour one ounce (29 ml) of oil through spark plug hole into cylinder.
3. Pull starter handle slowly a few times to distribute oil.
4. Replace with new spark plug.

### OTHER

- Do not store gasoline from one season to another.
- Replace your gasoline can if your can starts to rust. Rust and/or dirt in your gasoline will cause problems.
- If possible, store your unit indoors and cover it to protect it from dust and dirt.
- Cover your unit with a suitable protective cover that does not retain moisture. Do not use plastic. Plastic cannot breathe, which allows condensation to form and will cause your unit to rust.

**IMPORTANT:** Never cover mower while engine and exhaust areas are still warm.

**CAUTION:** Never store the lawn mower with gasoline in the tank inside a building where fumes may reach an open flame or spark. Allow the engine to cool before storing in any enclosure.

**TROUBLESHOOTING - See appropriate section in manual unless directed to a Sears Parts & Repair Center.**

<b>PROBLEM</b>	<b>CAUSE</b>	<b>CORRECTION</b>
<b>Does not start</b>	<ol style="list-style-type: none"> <li>1. Dirty air filter.</li> <li>2. Out of fuel.</li> <li>3. Stale fuel.</li> <li>4. Water in fuel.</li> <li>5. Spark plug wire is disconnected.</li> <li>6. Bad spark plug.</li> <li>7. Loose blade or broken blade adapter.</li> <li>8. Control bar in released position.</li> <li>9. Control bar defective.</li> <li>10. Fuel valve lever (if so equipped) in OFF position.</li> <li>11. Weak battery (if equipped).</li> <li>12. Disconnected battery connector (if equipped).</li> <li>13. Blown fuse (if equipped).</li> <li>14. Engine control lever is in STOP position.</li> </ol>	<ol style="list-style-type: none"> <li>1. Clean/replace air filter.</li> <li>2. Fill fuel tank.</li> <li>3. Drain fuel tank and refill tank with fresh, clean gasoline.</li> <li>4. Drain fuel tank and refill tank with fresh, clean gasoline.</li> <li>5. Connect wire to plug.</li> <li>6. Replace spark plug.</li> <li>7. Tighten blade bolt or replace blade adapter.</li> <li>8. Depress control bar to handle.</li> <li>9. Replace control bar.</li> <li>10. Turn fuel valve lever to the ON position.</li> <li>11. Charge battery.</li> <li>12. Connect battery to engine.</li> <li>13. Replace fuse.</li> <li>14. Place engine control lever in FAST position.</li> </ol>
<b>Loss of power</b>	<ol style="list-style-type: none"> <li>1. Rear of lawn mower housing or cutting blade dragging in heavy grass.</li> <li>2. Cutting too much grass.</li> <li>3. Dirty air filter.</li> <li>4. Buildup of grass, leaves, and trash under mower.</li> <li>5. Too much oil in engine.</li> <li>6. Walking speed too fast.</li> </ol>	<ol style="list-style-type: none"> <li>1. Raise cutting height.</li> <li>2. Raise cutting height.</li> <li>3. Clean/replace air filter.</li> <li>4. Clean underside of mower housing.</li> <li>5. Check oil level.</li> <li>6. Cut at slower walking speed.</li> </ol>
<b>Poor cut – uneven</b>	<ol style="list-style-type: none"> <li>1. Worn, bent or loose blade.</li> <li>2. Wheel heights uneven.</li> <li>3. Buildup of grass, leaves and trash under mower.</li> </ol>	<ol style="list-style-type: none"> <li>1. Replace blade. Tighten blade bolt.</li> <li>2. Set all wheels at same height.</li> <li>3. Clean underside of mower housing.</li> </ol>
<b>Excessive vibration</b>	<ol style="list-style-type: none"> <li>1. Worn, bent or loose blade.</li> <li>2. Bent engine crankshaft.</li> </ol>	<ol style="list-style-type: none"> <li>1. Replace blade. Tighten blade bolt.</li> <li>2. Contact a Sears or other qualified service center.</li> </ol>
<b>Starter rope hard to pull</b>	<ol style="list-style-type: none"> <li>1. Engine flywheel brake is on when control bar is released.</li> <li>2. Bent engine crankshaft.</li> <li>3. Blade adapter broken.</li> <li>4. Blade dragging in grass.</li> <li>5. Defective blade brake/clutch.</li> </ol>	<ol style="list-style-type: none"> <li>1. Depress control bar to upper handle before pulling starter rope.</li> <li>2. Contact a Sears or other qualified service center.</li> <li>3. Replace blade adapter.</li> <li>4. Move lawn mower to cut grass or to hard surface.</li> <li>5. Replace blade brake/clutch.</li> </ol>



**TROUBLESHOOTING - See appropriate section in manual unless directed to a Sears Parts & Repair Center.**

<b>PROBLEM</b>	<b>CAUSE</b>	<b>CORRECTION</b>
<b>Grass catcher not filling (If so equipped)</b>	<ol style="list-style-type: none"> <li>1. Cutting height too low.</li> <li>2. Lift on blade worn off.</li> <li>3. Catcher not venting air.</li> </ol>	<ol style="list-style-type: none"> <li>1. Raise cutting height.</li> <li>2. Replace blade.</li> <li>3. Clean grass catcher.</li> </ol>
<b>Hard to push</b>	<ol style="list-style-type: none"> <li>1. Grass is too high or wheel height is too low.</li> <li>2. Rear of lawn mower housing or cutting blade dragging in grass.</li> <li>3. Grass catcher too full.</li> <li>4. Handle height position not right for you.</li> </ol>	<ol style="list-style-type: none"> <li>1. Raise cutting height.</li> <li>2. Raise rear of lawn mower housing one (1) setting higher.</li> <li>3. Empty grass catcher.</li> <li>4. Adjust handle height to suit.</li> </ol>
<b>Blade brake/clutch does not engage</b>	<ol style="list-style-type: none"> <li>1. Defective blade control.</li> </ol>	<ol style="list-style-type: none"> <li>1. Replace blade brake/clutch.</li> </ol>
<b>Engine dies when starting blade</b>	<ol style="list-style-type: none"> <li>1. Cold engine.</li> <li>2. Mower is in uncut grass.</li> </ol>	<ol style="list-style-type: none"> <li>1. Allow engine to warm up for one minute.</li> <li>2. Move mower to cleared area.</li> </ol>
<b>Loss of drive or slowing of drive speed</b>	<ol style="list-style-type: none"> <li>1. Belt wear.</li> <li>2. Belt off of pulley.</li> <li>3. Drive cable worn or broken.</li> </ol>	<ol style="list-style-type: none"> <li>1. Check/replace drive belt.</li> <li>2. Check/reinstall drive belt.</li> <li>3. Replace drive cable.</li> </ol>

**NEED MORE HELP?**

You'll find the answer and more on [managemyhome.com](http://managemyhome.com) – for free!

- Find this and all your other product manuals online.
- Get answers from our team of home experts.
- Get a personalized maintenance plan for your home.
- Find information and tools to help with home projects.



brought to you by Sears

## TABLA DE MATERIAS

Garantía.....	20	Mantenimiento .....	30-33
Reglas de Seguridad .....	20-22	Servicio y Ajustes .....	33-34
Especificaciones del Producto.....	22	Almacenamiento.....	34-35
Montaje / Pre-Operación .....	24	Identificación de problemas.....	36-37
Operación .....	25-29	Partes de repuesto .....	38-47
Programa de Mantenimiento .....	30	Servicio Sears .....	Contratapa

## GARANTÍA

### GARANTÍA DE MANO DE OBRA COMPLETA CRAFTSMAN DE 2 AÑOS

Durante DOS AÑOS a partir de la fecha de compra, este producto está garantizado contra cualquier defecto de material o mano de obra. El producto defectuoso recibirá una reparación o un reemplazo en forma gratuita si la reparación no es posible.

Para conocer los detalles de la cobertura de la garantía con el fin de obtener una reparación o un reemplazo en forma gratuita, visite el sitio web: [www.craftsman.com](http://www.craftsman.com)

**Esta garantía SÓLO cubre defectos de material y mano de obra.**

**La cobertura de la garantía NO incluye:**

- Partes que se pueden gastar por el uso normal dentro del periodo de garantía, como cuchillas, adaptadores de cuchillas, correas, filtros o bujías.
- Daño del producto que sea resultado de los intentos del usuario por modificar o reparar el producto o a causa de los accesorios del producto.
- Reparaciones necesarias por accidente o falla al operar o dar mantenimiento a este producto, de acuerdo con todas las instrucciones provistas.
- Mantenimiento preventivo o reparaciones necesarias debido a una mezcla de combustible inapropiada, contaminada o inservible.

Esta garantía será nula si el producto se usa alguna vez mientras se proveen servicios comerciales o si se renta a otra persona.

Esta garantía le otorga derechos legales específicos, además que de puede tener otros derechos que varían de un estado a otro.

**Sears Brands Management Corporation, Hoffman Estates, IL 60179**

## REGLAS DE SEGURIDAD

**IMPORTANTE:** Esta maquina cortadora es capaz de amputar las manos y los pies y de lanzar objetos. Si no se observan las instrucciones de seguridad siguientes se pueden producir lesiones graves o la muerte.

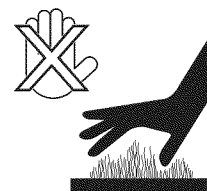
**⚠** Busque este símbolo que señala las precauciones de seguridad de importancia. Quiere decir – ¡¡¡ATENCIÓN!!! ¡¡¡ESTE ALERTO!!! SU SEGURIDAD ESTA COMPROMETIDA.

**⚠** **ADVERTENCIA:** Siempre desconecte el alambre de la bujía y póngalo donde no pueda entrar en contacto con la bujía, para evitar el arranque por accidente, durante la preparación, el transporte, el ajuste o cuando se hacen reparaciones.

**⚠** **ADVERTENCIA:** Los bornes, terminales y accesorios relativos de la batería contienen plomo o compuestos de plomo, productos químicos conocidos en el Estado de California como causa de cáncer y defectos al nacimiento u otros daños reproductivos. **Lavar las manos después de manipularlos.**

**⚠** **PRECAUCIÓN:** El tubo de escape del motor, algunos de sus constituyentes y algunos componentes del vehículo contienen o desprenden productos químicos conocidos en el Estado de California como causa de cáncer y defectos al nacimiento u otros daños reproductivos.

**⚠** **PRECAUCIÓN:** El silenciador y otras piezas del motor llegan a ser extremadamente calientes durante la operación y siguen siendo calientes después de que el motor haya parado. Para evitar quemaduras severas, permanezca lejos de estas áreas.



## I. OPERACION

- Antes de empezar, debe familiarizarse completamente con los controles y el uso correcto de la maquina. Para esto, debe leer y comprender todas las instrucciones que aparecen en la maquina y en los manuales de operación.
- No ponga las manos o los pies cerca o debajo de las partes rotatorias. Manténgase siempre lejos de la abertura de la descarga.
- Permita que solamente las personas responsables que estén familiarizadas con las instrucciones operen la máquina.
- Despeje el área de objetos tales como piedras, juguetes, alambres, huesos, palos, etc. que pueden ser recogidos y lanzados por las cuchillas.
- Asegúrese que el área no se hallen personas, antes de segar. Pare la máquina si alguien entra en el área.
- No opere la maquina sin zapatos o con sandalias abiertas. Póngase siempre zapatos sólidos.
- No tire de la segadora hacia atrás a menos que sea absolutamente necesario. Mire siempre hacia abajo y hacia detrás antes y mientras que se mueve hacia atrás.
- Nunca dirigir el material descargado hacia las personas. Evitar descargar material contra paredes o barreras. El material puede retornar al operador. Para la cuchilla cuando se pasa por superficies de grava.
- No opere la segadora sin los respectivos resguardos, las placas, el recogedor de césped u otros aditamentos diseñados para su protección y seguridad.
- Refiérase a las instrucciones del fabricante para el funcionamiento e instalación de accesorios. Use únicamente accesorios aprobados por el fabricante.
- Detenga la cuchilla o las cuchillas cuando cruce por calzadas, calles o caminos de grava.
- Parar el motor cada vez que se abandona el aparato, antes de limpiar la segadora o de remover residuos del tubo.
- Apagar el motor y esperar hasta que las cuchillas estén completamente paradas antes de remover el receptor de hierba.
- Segar solamente con luz del día o con una buena luz artificial.
- No opere la máquina bajo la influencia del alcohol o de las drogas.
- Nunca opere la maquina cuando la hierba esté mojada. Asegúrese siempre de tener buena tracción en sus pies; mantenga el mango firmemente y camine; nunca corra.
- Desconectar el mecanismo de propulsión autónoma o el embrague de transmisión en las segadoras que lo tienen antes de poner en marcha el motor.
- Si el equipo empezara a vibrar de una manera anormal, pare el motor y revise de inmediato para averiguar la causa. Generalmente la vibración suele indicar que existe alguna avería.

- Siempre use gafas de seguridad o anteojos con protección lateral cuando opere la segadora.

## II. OPERACION SOBRE LAS CUESTAS

Los accidentes ocurren con más frecuencia en las cuestas. Estos accidentes ocurren debido a resbaladas o caídas, las cuales pueden resultar en graves lesiones. Operar la recortadora en cuestas requiere mayor concentración. Si se siente inseguro en una cuesta, no la recorte.

### HACER:

- Puede recortar a través de la superficie de la cuesta, nunca hacia arriba y hacia abajo. Proceda con extrema precaución cuando cambie de dirección en las cuestas.
- Renueva todos los objetos extraños, tales como guijarros, ramas, etc.
- Debe prestar atención a hoyos, baches o protuberancias. Recuerde que la hierba alta puede esconder obstáculos.

### NO HACER:

- No recorte cerca de pendientes, zanjas o terraplenes. El operador puede perder la tracción en los pies o el equilibrio.
- No recorte cuestas demasiado inclinadas.
- No recorte en hierba mojada. La reducción en la tracción de la pisada puede causar resbalones.

## III. NIÑOS

Se pueden producir accidentes trágicos si el operador no presta atención a la presencia de los niños. A menudo, los niños se sienten atraídos por la máquina y por la actividad de la siega. Nunca suponga que los niños van a permanecer en el mismo lugar donde los vio por última vez.

- Mantenga a los niños alejados del área de la siega y bajo el cuidado estricto de otra persona adulta responsable.
- Esté alerta y apague la máquina si hay niños que entran al área.
- Antes y cuando este retrocediendo, mire hacia atrás y hacia abajo para verificar si hay niños pequeños.
- Nunca permita que los niños operen la máquina.
- Tenga un cuidado extra cuando se acerque a esquinas donde no hay visibilidad, a los arbustos, árboles u otros objetos que pueden interferir con su línea de visión.

## IV. MANEJO SEGURO DE GASOLINA

Usar mucha atención cuando se maneja gasolina. La gasolina es extremadamente inflamable y los vapores son explosivos.

- Apagar todos los cigarrillos, cigarros, pipas y otras fuentes de ignición.
- Usar solo un contenedor apropiado.
- Nunca quitar el tapón de la gasolina o añadir carburante con el motor en marcha. Esperar que el motor se enfríe antes de repostar la gasolina.

- Nunca repostar la máquina al interior de un local.
- Nunca guardar la máquina o el contenedor de gasolina donde hay una llama abierta, chispa o luz piloto como una caldera u otros dispositivos.
- Nunca llenar contenedores en un vehículo, en un camión o caravana con un forro de plástico. Colocar siempre los contenedores en el suelo lejos de su vehículo antes de llenar.
- Quitar equipos que funcionan con gasolina del camión o caravana y repostar en el suelo. Si esto no es posible, repostar dicho equipo con un contenedor portátil, más bien que con una tobera de gasolina.
- Mantener la tobera en contacto con el bordo del depósito de carburante o de la apertura del contenedor siempre hasta terminar el abastecimiento. No usar un dispositivo de cierre-apertura de la tobera.
- Si el carburante cae en la ropa que se lleva, cambiársela inmediatamente.
- Nunca llenar en exceso el depósito de carburante. Colocar el tapón de la gasolina y apretar de modo seguro.

## V. SERVICIO

- Nunca haga funcionar una máquina dentro de un área cerrada.
- Nunca haga ajustes o reparaciones mientras el motor esté en marcha. Desconecte el cable de la bujía, y manténgalo a cierta distancia de ésta para prevenir un arranque accidental.
- Mantenga las tuercas y los pernos, especialmente los pernos del accesorio de la cuchilla, apretados y mantenga el equipo en buenas condiciones.
- Nunca manipule de forma indebida los dispositivos de seguridad. Controle regularmente su funcionamiento correcto.
- Mantenga la máquina libre de hierba, hojas u otras acumulaciones de desperdicio. Limpie los derrames de aceite o combustible. Permita que la máquina se enfríe antes de almacenarla.
- Pare e inspeccione el equipo si le pega a un objeto. Repárelo, si es necesario, antes de hacerlo arrancar.
- En ningún caso hay que regular la altura de las ruedas mientras el motor está en marcha.
- Los componentes del receptor de la hierba van sujetos a desgaste, daños y deterioro, que pueden exponer las partes en movimiento o permitir que objetos sean disparados. Controlar frecuentemente y cuando sea necesario sustituir con partes aconsejadas por el fabricante.
- Las cuchillas de la segadora están afiladas y pueden cortar. Cubrir las hojas o llevar guantes, y utilizar precauciones especiales cuando se efectúa mantenimiento sobre las mismas.
- No cambie el ajuste del regulador del motor ni exceda su velocidad.
- Mantener o sustituir las etiquetas de seguridad e instrucciones, cuando sea necesario.

**⚠ADVERTENCIA:** Este segadora viene equipado con un motor de combustión interna y no se debe usar sobre, o cerca, de un terreno no desarrollado cubierto de bosques, de arbustos o de césped, o menos que el sistema de escape del motor venga equipado con un amortiguador de chispas que cumpla con las leyes locales o estatales (si existen). Si se usa un amortiguador de chispas, el operador debe mantenerlo en condiciones de trabajo eficientes. En el estado de California, la ley exige lo anterior (Sección 4442 del "California Public Resources Code"). Otros estados pueden contar con otras leyes parecidas. Las leyes federales se aplican en la tierras federales. Su centro de Servicio más cercano tiene disponible amortiguadores de chispas para el silenciador (Vea la sección de PARTES DE REPUESTO en el manual Inglés del dueño).

## ESPECIFICACIONES DEL PRODUCTO

Número de Serie:	
Fecha de Compra:	
Capacidad y Tipo de Gasolina:	1.6 Cuartos (Regular sin Plomo)
Tipo de Aceite (API SG-SL):	SAE 30 (Sobre 32°F); SAE 5W-30 (Debajo 32°F)
Capacidad de Aceite:	20 Onzas
Bujía (Abertura: .020")	Champion RJ2YXLE
Torsión del Perno de la Cuchilla:	35-40 ft. lbs.
<ul style="list-style-type: none"> <li>• El número del modelo y el de serie se encuentran en la calcomanía adjunta a la parte trasera de la caja de la segadora. Debe registrar tanto el número de serie como la fecha de compra y manténgalos en un lugar seguro para referencia en el futuro.</li> </ul>	

## Acuerdos de Protección para la Reparación

*Congratulaciones por su buena compra.* Su nuevo producto Craftsman® está diseñado y fabricado para funcionar de modo fiable por muchos años. Pero como todos los productos, puede necesitar alguna reparación de tanto en tanto. En este caso tener un Acuerdo de Protección para la Reparación puede hacerles ahorrar dinero y fastidios.

*Compre ahora un Acuerdo de Protección para la Reparación y protéjese de molestias y gastos inesperados.*

Un Acuerdo incluye los puntos siguientes:

- **Servicio experto** de nuestros 12.000 especialistas profesionales en la reparación.
- **Servicio ilimitado sin cargo alguno** para las partes y la mano de obra sobre todas las reparaciones garantizadas.
- **Sustitución del producto** si su producto garantizado no puede ser arreglado.
- **Descuento del 10%** sobre el precio corriente del servicio y de las partes relativas al servicio no cubiertas por el acuerdo; también el 10% menos sobre el precio corriente de un control de mantenimiento preventivo.

- **Ayuda rápida por teléfono** – soporte telefónico por parte de un representante Sears sobre productos que requieren un arreglo en casa, y además una programación sobre los a reglos más convenientes.

Cuando se ha comprado el Acuerdo, basta con una llamada telefónica para programar el servicio. Puede llamar cuando quiera, día y noche o fijar en línea una cita para obtener el servicio.

Sears tiene más de 12.000 especialistas profesionales en la reparación, que tienen acceso a más de 4.5 millones de partes y accesorios de calidad. Este es el tipo de profesionalidad con que puede contar para ayudar a alargar la vida del producto que acaba de comprar, por muchos años. ¡Compre hoy su Acuerdo de Protección para la Reparación!

**Se aplican algunas limitaciones y exclusiones. Para conocer los precios y tener más información, llame al 1-800-827-6655.**

### Servicio de Instalación Sears

*Para la instalación profesional Sears de aparatos de casa, puertas de garaje, calentadores de agua y otros importantes artículos para la casa, en U.S.A. llamar a 1-800-4-MY-HOME®.*

## ACCESORIOS PARA LA SEGADORA

Estos accesorios estaban disponibles cuando se produjo la segadora. **No son facilitados junto al cortacesped.** También están disponibles en la mayoría de las tiendas de Sears y en los centros de servicio. Algunos de estos accesorios tal vez no se apliquen a su segadora.

### RENDIMIENTO DE LA SEGADORA

	<p><b>DESVIADOR DE RECORTES PARA SEGADORAS CON DESCARGA TRASERA</b></p>		<p><b>ESTABILIZADORES</b></p>  <p><b>ENVASES DE GASOLINA</b></p>
	<p><b>RECORDOR PARA SEGADORAS CON DESCARGA TRASERA</b></p>		<p><b>RECORDOR PARA SEGADORAS CON DESCARGA LATERAL</b></p>

### MANTENIMIENTO DE LA SEGADORA

 <p><b>SILENCIADORES</b></p>			 <p><b>FILTROS DE AIRE</b></p>			 <p><b>BUJÍAS</b></p>	
 <p><b>CORREAS</b></p>	 <p><b>CUCHILLAS</b></p>	 <p><b>ADAPTADORES DE CUCHILLA</b></p>	 <p><b>RUEDAS</b></p>	 <p><b>ACEITE DEL MOTOR</b></p>			

# MONTAJE / PRE-OPERACIÓN

Lea estas instrucciones y este manual completamente antes de tratar de montar u operar su segadora nueva.

**IMPORTANTE:** Este cortacésped viene SIN ACEITE O GASOLINA en el motor.

Su segadora nueva ha sido montada en la fábrica con la excepción de aquellas partes que se dejaron sin montar por razones de envío. Todas las partes como las tuercas, las arandelas, los pernos, etc., que son necesarias para completar el montaje han sido colocadas en la bolsa de partes. Para asegurarse que su segadora funcione en forma segura y adecuada, todas las partes y los artículos de ferretería que se montan tienen que ser apretados seguramente. Use las herramientas correctas, como sea necesario, para asegurar que se aprieten adecuadamente.

## PARA REMOVER LA SEGADORA DE LA CAJA DE CARTÓN

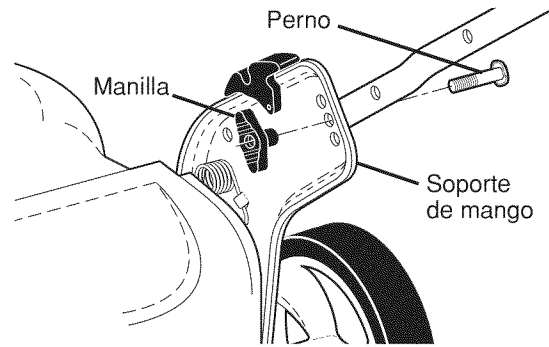
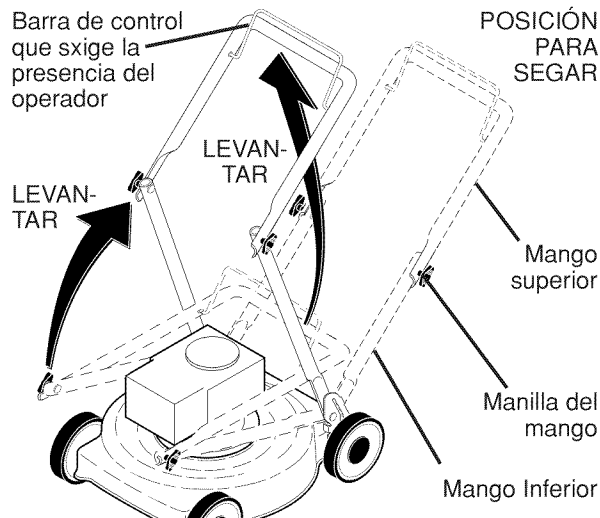
1. Remueva las partes sueltas que se incluyen con la segadora.
2. Corte las dos esquinas de los extremos de la caja de cartón y tienda el panel del extremo plano.
3. Remueva todo el material de empaque, excepto la cuña entre el mango superior y el inferior, y la cuña que sujeta la barra de los control que exige la presencia del operador junto con el mango superior.
4. Haga rodar la segadora hacia afuera de la caja de cartón y revísela cuidadosamente para verificar si todavía quedan partes sueltas adicionales.

## COMO PREPARAR SU SEGADORA PARA DESDOBLAR EL MANGO

**IMPORTANTE:** Despliegue el mango con mucho cuidado para no pellizcar o dañar los cables de control.

1. Levante los mangos hasta que la sección del mango inferior se asegure en su lugar, en la posición para segar.
2. Remueva la cuña protectora, levante la sección del mango superior hasta su lugar en el mango inferior, y apriete ambas manillas del mango.
3. Remueva la cuña del mango que sujeta la barra de los control que exige la presencia del operador junto con el mango superior.

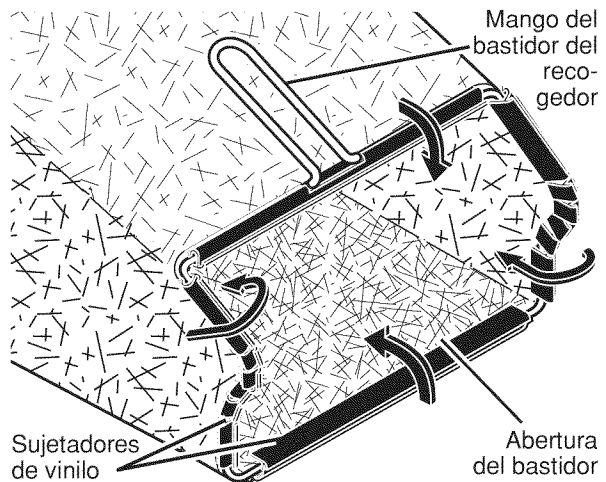
El mango de la segadora puede ajustarse según le acomode para segar. Refiérase a "AJUSTE DEL MANGO" en la sección de Servicio y Ajustes de este manual.



## PARA MONTAR EL RECOGEDOR DE CÉSPED

1. Ponga el bastidor del recogedor de césped en la bolsa del césped con la parte rígida de la bolsa en la parte inferior. Asegúrese que el mango del bastidor esté en el exterior de la parte superior de la bolsa.
2. Deslice los sujetadores de vinilo sobre el bastidor.

**AVISO:** Si los sujetadores de vinilo están muy duros, métalos en agua caliente por algunos minutos. Si se moja la bolsa, déjela que se seque antes de usarla.



## PARA INSTALAR LOS ACCESORIOS

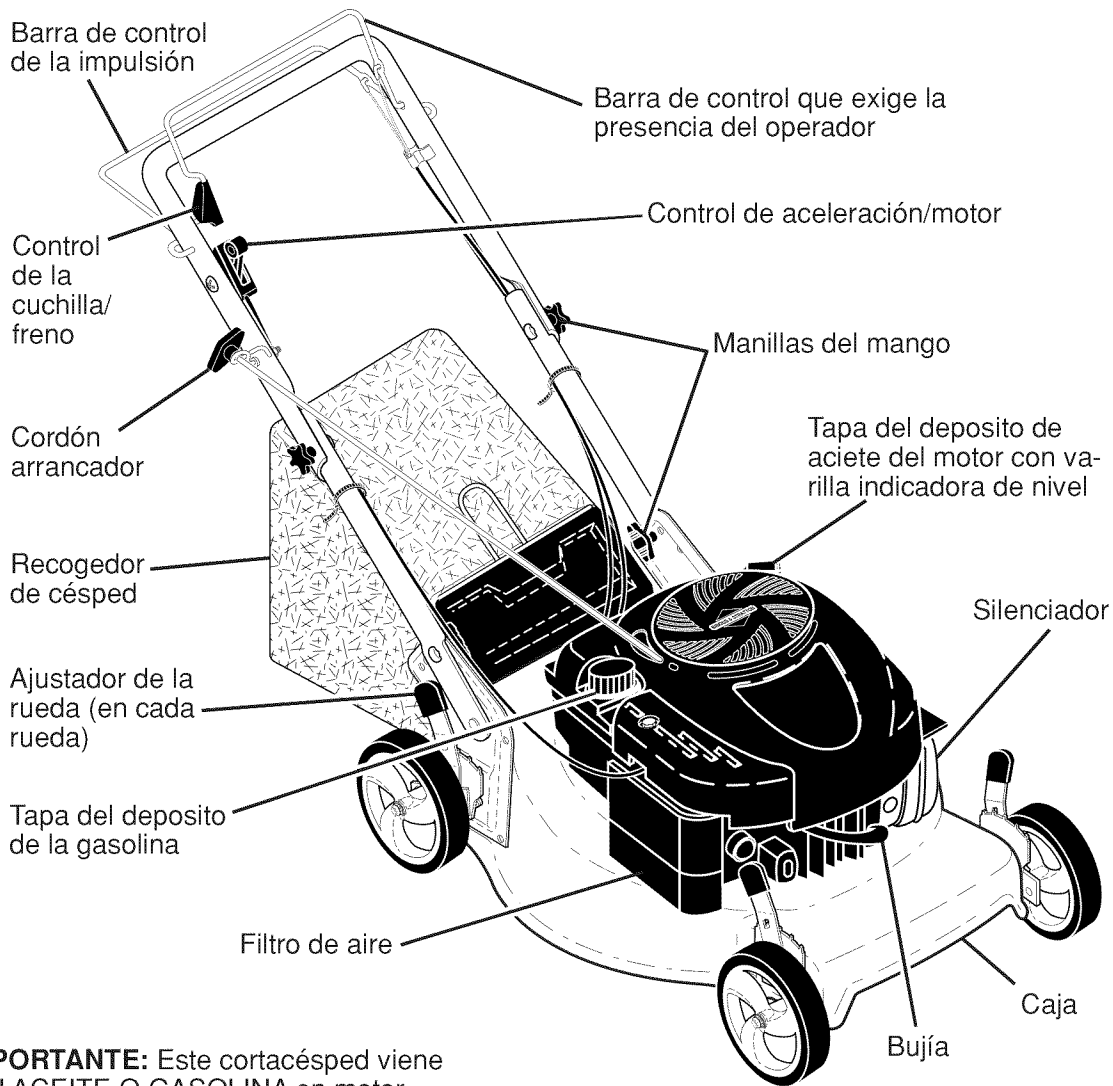
Su segadora fue enviada lista para usarse como una acolchadora de capa vegetal. Para convertirla de modo que pueda ensacar o descargar, refiérase a "PARA CONVERTIR LA SEGADORA" en la sección de Operación de este manual.

# OPERACIÓN

## FAMILIARICESE CON SU SEGADORA

LEA ESTE MANUAL DEL DUENO Y LAS REGLAS DE SEGURIDAD ANTES DE OPARAR SU SEGADORA. Compare las ilustraciones con su segadora para familiarizarse con la ubicación de los diversos controles y ajustes. Guarde este manual para referencia en el futuro.

Estos símbolos pueden aparecer sobre su segadora o en la literatura proporcionada con el producto. Aprenda y comprenda sus significados.



**IMPORTANTE:** Este cortacésped viene SIN ACEITE O GASOLINA en motor.

**NOTA:** Esta máquina puede utilizar gasolina con un contenido de hasta el 10% de etanol (E10). El uso de una gasolina que supere el 10% de etanol (E10) anulará la garantía del producto.

### CUMPLE CON LOS REQUISITOS DE SEGURIDAD DE LA CPSC

Las segadoras a motor, que se conducen desde la parte de atrás, rotatorias, Sears, cumplen con los estándares de seguridad del American National Standards Institute y de la U.S. Consumer Product Safety Commission.

**Barra de control que exige la presencia del operador** – tiene que sujetarse abajo, junto con el mango, para hacer arrancar el motor. Suéltela para parar el motor.

**Barra de control de la impulsión** – se usa para enganchar la segadora para movimiento hacia adelante impulsada a motor.

**Control de aceleración/motor** – se usa para hacer arrancar y parar el motor y le permite seleccionar la velocidad del motor de ya sea RÁPIDA o LENTA.

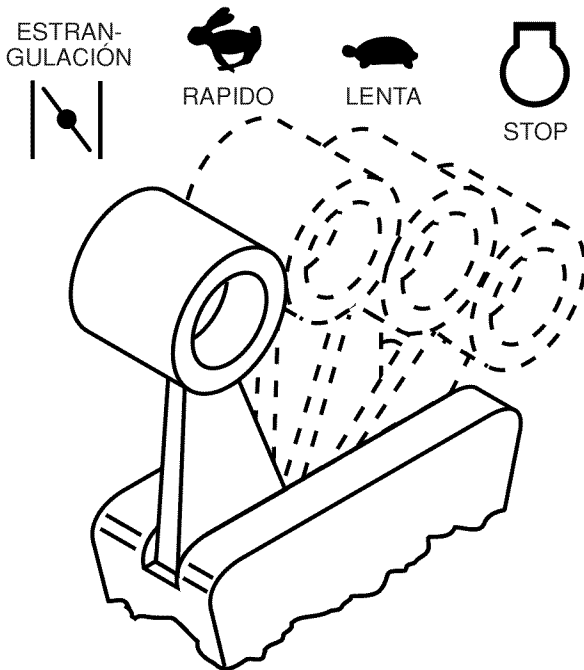
**Cordón arrancador** – se usa para hacer arrancar el motor.



La operación de cualquier segadora puede hacer que salten objetos extraños dentro de sus ojos, lo que puede producir daños graves en éstos. Siempre use anteojos de seguridad o protección para los ojos mientras opere su segadora o cuando haga ajustes o reparaciones. Recomendamos gafas o una máscara de seguridad de visión amplia de seguridad usada sobre las gafas.

## COMO USAR SU SEGADORA MANDO MOTOR

El motor se acciona a través de un mando de mariposa situado en el lado del mango superior. La posición PARTIDA se utiliza para poner en marcha el motor; la posición RAPIDO se utiliza para poner en marcha un motor tibio, para un corte y acabado mejores y para ensacar mejor la hierba; la posición LENTA se utiliza para un corte ligero, para realizar los acabados y para ahorrar carburante; la posición STOP se utiliza para parar el motor.



## CONTROL DE LA CUCHILLA

**PRECAUCIÓN:** Cuando el mando de la cuchilla está accionado, la cuchilla gira.

- Para accionar la cuchilla, hacia el mango y presionar la palanca de mando cuchilla/freno hacia adelante (1) abajo mantener la barra de control que exige la presencia del operador (2). Para detener la cuchilla, soltar la palanca de control que exige la presencia del operador.

Dejar que el motor frío se caliente en la posición en vacío por un minuto antes de accionar la cuchilla.

**NOTA:** Es normal oír el deslizamiento de la correa mientras la cuchilla se acciona y alcanza su velocidad prevista.

- No accionar la cuchilla en presencia de hierba muy alta por cortar. Llevar la segadora fuera de la hierba alta antes de accionar la cuchilla.

**PRECAUCIÓN:** Las normativas federales requieren que este mando de cuchilla/freno minimice el riesgo de heridas provocadas por el contacto con la cuchilla. En ningún caso intentar anular las funciones de mando.

## AJUSTE DEL CONTROL DE LA CUCHILLA

Ocasionalmente, el sistema de cuchilla puede "aflojarse", provocando una disminución de la velocidad de cuchilla. Hay agujeros en la barra de control que exige la presencia del operador para apretar la tensión del correa. Proceder de la siguiente manera:

- Apagar la unidad y desconectar el cable de bujía de la bujía.
- Mueva el cable al próximo siguiente (3).
- Opere la segadora para probar la velocidad del cuchilla.

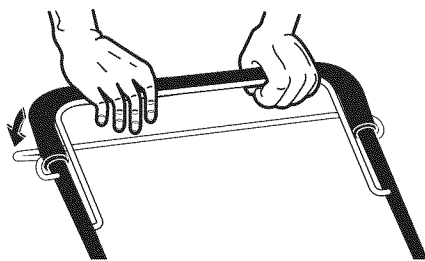
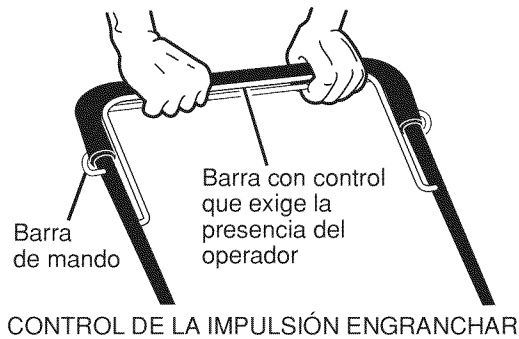
Si las condiciones no mejoran después de los pasos descritos (la velocidad la cuchilla hacia adelante queda la misma), la correa está desgastada y tiene que ser sustituida.



## PARA EL IMPULSIÓN

- Para comenzar la marcha hacia adelante, levantar la barra de mando hasta el mango.
- Para parar el movimiento hacia adelante, alivie la barra de control de la impulsión.

**IMPORTANTE:** Durante la utilización, guarde siempre la barra de control de la impulsión en contra del mango.



CONTROL DE LA IMPULSIÓN DESENGANCHAR

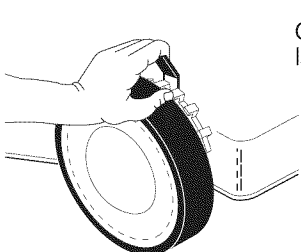
## PARA AJUSTAR LA ALTURA DE CORTE

Levante las ruedas para el corte bajo y baje las ruedas para el corte alto., ajuste la altura de corte para que se acomode a sus requisitos. La posición del medio es la mejor para la mayoría de los céspedes.

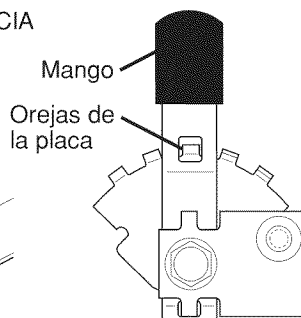
- Para cambiar la altura de corte, empuje la palanca del ajustador hacia la rueda. Mueva la rueda hacia arriba o hacia abajo de modo que se acomode a sus requisitos. Asegúrese que todas las ruedas queden igualmente ajustadas.

**AVISO:** El ajustador esta correctamente colocado cuando las orejas de la placa están insertadas en el agujero del mango. También, los ajustes de 9 posiciones (si equipado) permiten que el mango pueda ser movido entre las orejas de la placa.

PALANCA DE GIRAR HACIA EL MOTOR A MENOR LA SEGADORA



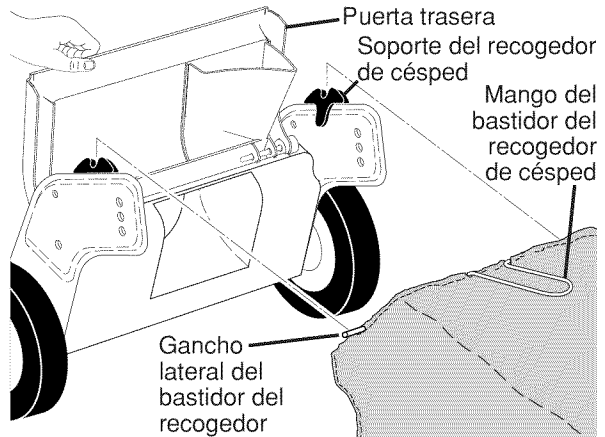
PALANCA DE GIRAR LEJOS DE MOTOR PARA ELEVAR LA SEGADORA



## PARA CONVERTIR LA SEGADORA

Su segadora fue enviada lista para usarse como acolchadora de capa vegetal. Para convertirla a una operación de descarga:

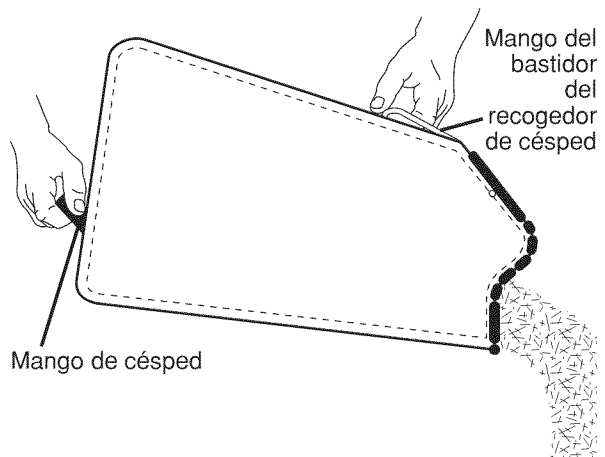
- Levantar la puerta trasera de cortacésped y colocar los ganchos del armazón de la recolectora de hierba en los soportes del quicio.
- Para pasar a la operación de acolchamiento, remover la recolectora de hierba y cerrar la puerta trasera.



## PARA VACIAR EL RECOGEDOR DE CÉSPED

1. Levante el recogedor de césped usando el mango del bastidor.
2. Remueva el recogedor de césped, con los recortes, de debajo del mango de la segadora.
3. Vacíe los recortes de la bolsa.

**AVISO:** No arrastre la bolsa cuando la vacíe; se producirá un desgaste innecesario.



## ANTES DE HACER ARRANCAR EL MOTOR

### AGREGUE ACEITE

Su segadora fue enviada sin aceite en el motor. Para el tipo y el grado del aceite a utilizar, vea el "MOTOR" en la sección del Mantenimiento de este manual.

**⚠PRECAUCIÓN:** NO sobrellene el motor con aceite, o fumará pesa demante del silenciador cuando lo valla a arrancar.

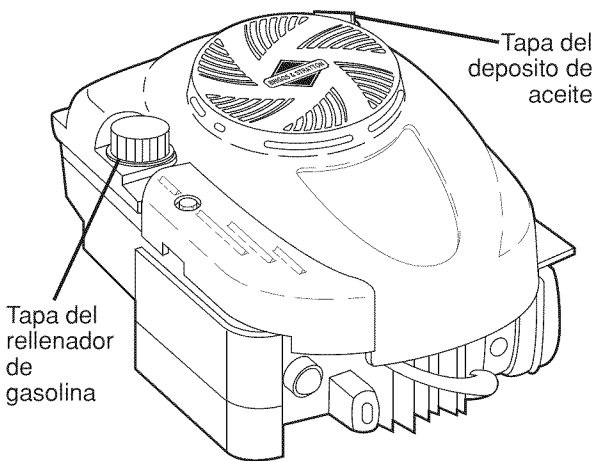
1. Asegúrese que la segadora esté nivelada.
2. Remueva la varilla medidora de aceite del tubo de desarga de aceite.
3. Usted recibe un envase de aceite con la unidad. Vierta lentamente el envase entero de aceite en el tubo de relleno del motor.

**AVISO:** El terraplén inicial del aceite requiere solamente 18 onzas debido al aceite residual en el motor de la prueba de calidad de 100% del fabricante. Al cambiar el aceite puede necesitar 20 onzas.

4. Inserte y apriete la varilla medidora de aceite.

### IMPORTANTE:

- Revise el nivel del aceite antes de cada uso. Agregue aceite si es necesario. Llene hasta la línea de lleno en la varilla medidora de nivel.
- Cambie el aceite después de 25 horas de operación o una vez por temporada. Puede necesitar cambiar el aceite más a menudo cuando las condiciones son polvorosas o sucias. Vea "PARA CAMBIAR EL ACEITE DEL MOTOR" en la sección de Mantenimiento de este manual.



### AGREGUE GASOLINA

- Llene el estanque de combustible hasta la parte inferior del cuello de relleno del estanque de gasolina. No lo llene demasiado. Use gasolina regular, sin plomo, nueva y limpia con el mínimo de 87 octanos. No mezcle el aceite con la gasolina. Para asegurar que la gasolina utilizada sea fresca compre estanques los cuales puedan ser utilizados durante los primeros 30 días.

**⚠ADVERTENCIA:** Limpie el aceite o el combustible derramado. No almacene, derrame o use gasolina cerca de una llama expuesta.

**⚠PRECAUCIÓN:** Los combustibles mezclados con alcohol (conocidos como gasohol, o el uso de etanol o metanol) pueden atraer la humedad, la que conduce a la separación y formación de ácidos durante el almacenamiento. La gasolina ácida puede dañar el sistema del combustible de un motor durante el almacenamiento. Para evitar los problemas con el motor, se debe vaciar el sistema del combustible antes de guardarlo por un período de 30 días o más. Vacíe el estanque del combustible, haga arrancar el motor y hágalo funcionar hasta que las líneas del combustible y el carburador queden vacíos. La próxima temporada use combustible nuevo. Vea las Instrucciones Para El Almacenamiento para más información. Nunca use productos de limpieza para el motor o para el carburador en el estanque del combustible pues se pueden producir daños permanentes.

### PARA PARAR EL MOTOR

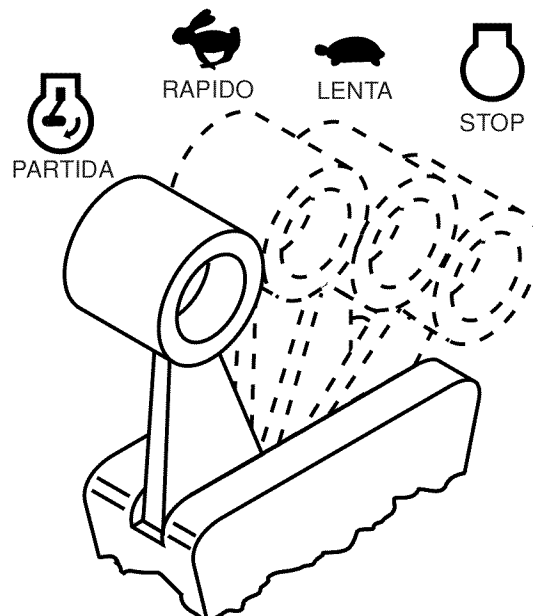
- Para parar el motor, mueva la control de aceleración/motor a la posición de STOP.

### PARA HACER ARRANCAR EL MOTOR

**AVISO:** Debido a las capas protectoras del motor, una cantidad pequeña de humo puede estar presente durante el uso inicial del producto y se debe considerar normal.

**AVISO:** Su motor viene equipado con un sistema de estrangulación automático. No requiere ser cebado o obturado antes de arrancar.

- Para hacer arrancar un motor frío, mueva la control de aceleración/motor a la posición de PARTIDA. Este paso normalmente no es necesario cuando se hace arrancar un motor que ya ha estado funcionando por unos cuantos minutos.
- Para hacer arrancar un motor caliente, mueva la control de aceleración/motor a la posición de RAPIDO y tire el mango del arrancador rápidamente. No permita que el cordón arrancador se devuelva abruptamente.



## CONSEJOS PARA SEGAR

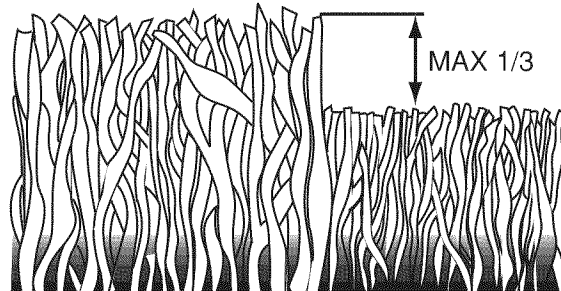
**⚠PRECAUCIÓN:** No utilizar dispositivos anti-paja de la hoja en la segadora ya que estos accesorios son peligrosos, pueden dañar su segadora y anular su garantía.

- Bajo ciertas condiciones, tal como césped muy alto, puede ser necesario el elevar la altura del corte para reducir el esfuerzo necesario para empujar la segadora y para evitar sobrecargar el motor, dejando montones de recortes de césped. Puede que sea necesario reducir la velocidad del recorrido y/o haga funcionar la segadora sobre el área por segunda vez.
- Para un corte muy pesado, reduzca el ancho del corte pasando parcialmente por encima del lugar anteriormente cortado y siegue lentamente.
- Para un mejor ensacado del césped y para la mayoría de las condiciones de corte, la velocidad del motor debe ajustarse a la posición de RÁPIDO.
- Cuando use una segadora con descarga trasera en césped húmedo y pesado, los montones del césped cortado puede que no entren en el recogedor de césped. Reduzca la velocidad del recorrido (velocidad de empuje) y/o haga funcionar la segadora sobre el área por segunda vez.
- Si queda una huella de cortes en el lado derecho de una segadora con descarga trasera, siegue en la dirección en que giran las manillas del reloj, solapando un poco para recaudar los recortes en la próxima pasada.
- Los poros en los recogedores de césped de tela pueden llenarse con mugre y polvo con el uso y los recogedores recaudarán menos césped. Para evitar éste, rocíe el recogedor con la manguera de agua regularmente y déjelo secarse antes de usarlo.
- Mantenga la parte superior del motor, alrededor del arrancador, despejada y sin recortes de césped y paja. Esto ayudará el flujo del aire del motor y extenderá su duración.

## CONSEJOS PARA SEGAR Y ACOLCHAR

**IMPORTANTE:** Para obtener el mejor rendimiento mantenga la caja de la segadora sin acumulacion de cesped y basura. Vea "LIMPIEZA" in la seccion Mantenimiento de este manual.

- La cuchilla acolchadora especial va a volver a cortar los recortes de césped muchas veces, y los reduce en tamaño, de modo que si se caen en el césped se van a dispersar entre éste y no se van a notar. También, el césped acolchado se va a deshacer rápidamente entregando substancias nutritivas para el césped. Siempre acolche con la velocidad del motor (cuchilla) más alta, pues así se obtendrá la mejor acción de recorte de las cuchillas.
- Evite cortar el césped cuando esté mojado. El césped mojado tiende a formar montones e interfiere con la acción de acolchado. La mejor hora para segar el césped es temprano en la tarde. A esa hora éste se ha secado y el área recién cortada no quedará expuesta al sol directo.
- Para obtener los mejores resultados, ajuste la altura del corte de la segadora de modo que ésta corte solamente el tercio superior de las hojas de césped. En el caso de que el césped haya crecido demasiado, puede ser necesario el elevar la altura del corte para reducir el esfuerzo necesario para empujar la segadora y para evitar sobrecargar el motor, dejando montones de recortes de césped. Para un césped muy pesado, reduzca el ancho del corte pasando por encima del lugar anteriormente cortado y siegue lentamente.



- Ciertos tipos de césped y sus condiciones pueden exigir que un área tenga que ser acolchada por segunda vez para esconder completamente los recortes. Cuando se haga el segundo corte, siegue atravesado o en forma perpendicular a la pasada del primer corte.
- Cambie su patrón de corte de semana a semana. Siegue de norte a sur una semana y luego cambie de este a oeste la próxima semana. Esto evitará que el césped se enrede y cambie de dirección.

# MANTENIMIENTO

PROGRAMA DE MANTENIMIENTO		ANTES DE CADA USO	DESPUES DE CADA USO	CADA 10 HORAS	CADA 25 HORAS O TEMPORADA	CADA 100 HORAS	ANTES DEL ALMACENAMIENTO
SEGA DOR A	Revisar si hay Sujetadores Suelos	✓					✓
	Limpiar/Inspeccionar el Recogedor de Césped *	✓	✓				✓
	Controlar los Neumáticos	✓					
	Controlar las Ruedas Motrices ***	✓					
	Limpiar la Segadora ****		✓				✓
	Limpiar debajo la Cubierta de la Transmisión ***			✓			
	Revisar las Correas y las Poleas Impulsadas ***				✓		
	Revisar / Afilar / Cambiar la Cuchilla				✓ <sub>3</sub>		
	Lubricación				✓		
Limpiar / Recargar la Batería **				✓		✓ <sub>4</sub>	
MOT OR	Revisar el nivel del Aceite	✓ <sub>5</sub>					
	Cambiar el Aceite del motor				✓ <sub>1,2</sub>		
	Limpiar el Filtro de Aire				✓ <sub>2</sub>		
	Inspeccionar el Silenciador				✓		
	Cambiar la Bujía					✓	
	Cambiar el Cartucho de Papel del Filtro de Aire					✓ <sub>2</sub>	
Vaciar el sistema del carburante o añadir un estabilizador de carburante.						✓	

- \* (si viene equipado)
- \*\* Segadoras con Arranque Eléctrico
- \*\*\* Segadoras con Poder Propulsor
- \*\*\*\* Utilizar una rasqueta para limpiar debajo de la cubierta del cortacésped
- 1 - Cambiar más a menudo cuando se opere bajo carga pesada o en ambientes con altas temperaturas.
- 2 - Dar servicio más a menudo cuando se opere en condiciones sucias o polvorosas.
- 3 - Cambie las cuchillas más a menudo cuando siegue en terreno arenoso.
- 4 - Cargar por 48 horas al fin de la temporada.
- 5 - Y después de 5 horas de funcionamiento.

## RECOMENDACIONES GENERALES

La garantía de esta segadora no cubre los artículos que han estado sujetos al abuso o a la negligencia del operador. Para recibir todo el valor de la garantía, el operador tiene que mantener la segadora según las instrucciones descritas en este manual.

Hay algunos ajustes que se tienen que hacer en forma periódica para poder mantener su unidad adecuadamente.

Al menos una vez cada estación comprobar si es necesario efectuar los ajustes descritos en las secciones de Servicio y Ajustes de este manual.

- Una vez al año, cambie la bujía, limpie o cambie el elemento del filtro de aire y revise si la cuchilla está desgastada. Una bujía nueva y un elemento del filtro de aire limpio/nuevo aseguran la mezcla de aire-combustible adecuada y ayudan a que su motor funcione mejor y que dure más.
- Siga el programa de mantenimiento en este manual.

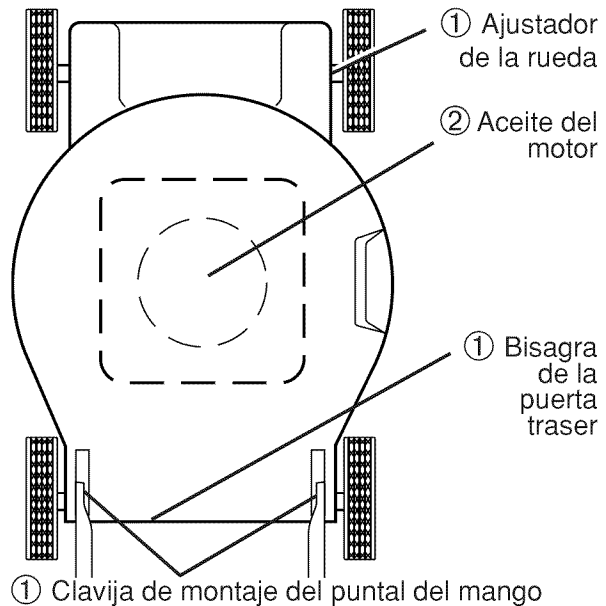
## ANTES DE CADA USO

- Revise el nivel del aceite del motor.
- Revise si hay sujetadores sueltos.

## LUBRICACIÓN

Mantenga la unidad bien lubricada (vea la "TABLA DE LUBRICACIÓN").

## TABLA DE LUBRICACIÓN



- ① Rocie el lubricante
- ② Vea "MOTOR" en la sección de Mantenimiento

**IMPORTANTE:** No aceite o engrase los rodamientos de la rueda de plástico. Los lubricantes viscosos atearan polvo y mugre, lo acortara la duracion de los rodamientos autolubricantes. Si cree que tienen que lubricarse, use losamente un lubricante tipo crafito, de polvo seco, en forma moderada.

## SEGADORA

Siempre observe las reglas de seguridad cuando haga el mantenimiento.

### LLANTAS

- Mantenga las llantas sin gasolina, aceite o sustancias químicas para control de insectos que pueden dañar la goma.
- Evite los tocones, las piedras, las grietas profundas, los objetos afilados y otros peligros que pueden dañar a las llantas.

### RUEDAS DE IMPULSIÓN

Revise las ruedas de impulsión traseras cada vez antes de segar, para asegurarse de que se mueven libremente. Si las ruedas no giran libremente quiere decir que hay basura, recortes de césped, etc. en el área de las ruedas de impulsión y tienen que limpiarse para liberarlas. Es necesario limpiar las ruedas de impulsión; revise ambas ruedas traseras.

### CUIDADO DE LA CUCHILLA

Para obtener los mejores resultados, la cuchilla de la segadora tienen que mantenerse afilada. Cambie la cuchilla doblada o dañada.

**PRECAUCIÓN:** Usar solamente la cuchilla de repuesto aprobada por el fabricante de su segadora. Usar una cuchilla no aprobada por el fabricante de su segadora es peligroso, puede dañar su segadora y anular su garantía.

#### PARA REMOVER LA CUCHILLA

1. Desconecte el alambre de la bujía y póngalo en donde no pueda entrar en contacto con ésta.
2. Haga descansar la segadora en su lado. Asegúrese que el filtro de aire y que el carburador queden mirando hacia arriba.
3. Use un bloque de madera entre la cuchilla y la caja de la segadora para evitar que la cuchilla gire cuando se le quite el pernos.

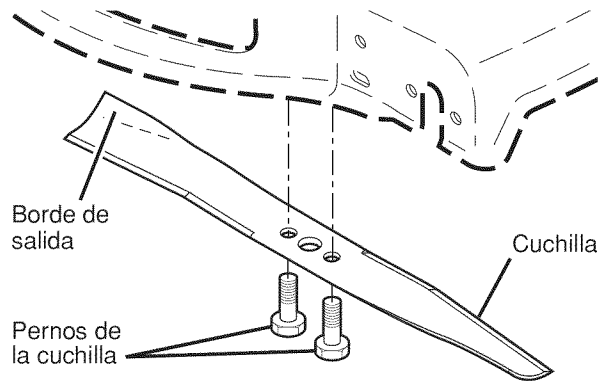
**AVISO:** Proteja sus manos con guantes y/o envuelva la cuchilla con una tela gruesa.

4. Remueva los pernos de la cuchilla girándolo en el sentido contrario en que giran las manillas del reloj.
5. Remueva la cuchilla, las arandelas de calibre y les arandelas de seguridad.

#### PARA CAMBIAR LA CUCHILLA

1. Ponga la cuchilla en el Embrague de la Cuchilla/Freno.
  2. Asegúrese de que el borde de salida de la cuchilla (opuesto al borde afilado) esté hacia arriba hacia el motor.
  3. Instale los pernos de la cuchilla en el Embrague de la Cuchilla/Freno.
  4. Use un bloque de madera entre la cuchilla y la caja de la segadora y apriete los pernos de la cuchilla girándolo en el sentido en que giran las manillas del reloj.
- La torsión para apretar recomendada es de 36 – 44 pies libras.

**IMPORTANTE:** Los pernos de la cuchilla es tratado a calo. Si es necesario sustituir los pernos, sustituirlos sólo con pernos aprobados mostrados en la sección Partes de Reparación de este manual.



### PARA AFILAR LA CUCHILLA

**AVISO:** No recomendamos el afilar la cuchilla – pero si lo hace, asegúrese de que quede balanceada. Una cuchilla que no está balanceada va a producir eventualmente daño en la segadora o en el motor.

- La cuchilla puede afilarse con una lima o en una rueda rectificadora. No trate de afilarla mientras se encuentra en la segadora.
- Para revisar el balance de la cuchilla, clave un clavo en una viga o en la pared. Deje alrededor de una pulgada de un clavo recto expuesto. Ponga el agujero central de la cuchilla sobre la cabeza del clavo. Si la cuchilla está balanceada debe permanecer en la posición horizontal. Si cualquiera de los extremos de la cuchilla se mueve hacia abajo, afile el extremo pesado hasta que ésta quede balanceada.

### RECOGEDOR DE CÉSPED

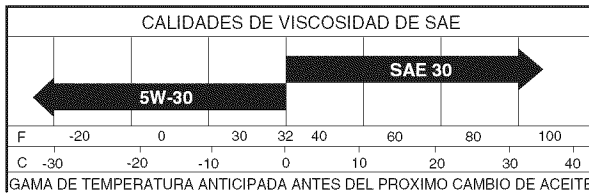
- El recogedor de césped puede ser rociado con el agua de la manguera pero tiene que estar seco cuando se vaya a usar.
- Revise su recogedor de césped a menudo para verificar si está dañado o deteriorado. Se va a desgastar con el uso normal. Si se necesita cambiar el recogedor, cámbielo solamente por uno que sea aprobado por el fabricante. Dé el número del modelo de la segadora cuando lo ordene.

### CAJA DE ENGRANAJES

- Para mantener el sistema de impulsión funcionando en forma adecuada, la caja de engranajes y el área alrededor de la impulsión tienen que mantenerse limpias y sin acumulación de basura. Limpie debajo de la cubierta de la impulsión dos veces por temporada.
- La caja de engranajes se llena con lubricante hasta el nivel adecuado en la fábrica. La única vez que el lubricante necesita atención es cuando se le ha prestado servicio a la caja de engranajes.

## MOTOR LUBRICACIÓN

Use solamente aceite de detergente de alta calidad clasificado con la clasificación SG-SL de servicio API. Seleccione la calidad de viscosidad SAE según su temperatura de operación esperada.

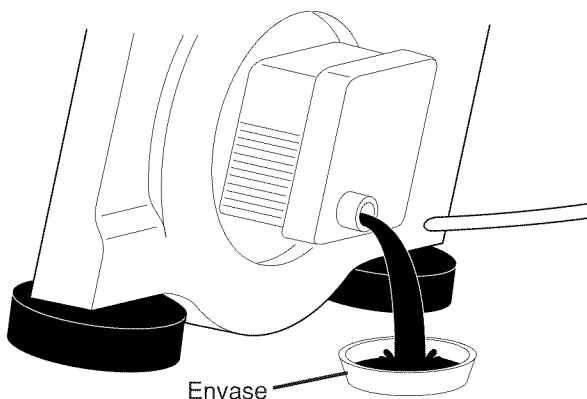


**AVISO:** A pesar de que los aceites de multi-viscosidad (5W30, 10W30, etc.) mejoran el arranque en clima frío, estos aceites de multi-viscosidad van a aumentar el consumo de aceite cuando se usan en temperaturas sobre 32° F. Revise el nivel del aceite del motor más a menudo, para evitar un posible daño en el motor, debido a que no tiene suficiente aceite. Cambie el aceite después de 25 horas de operación o por lo menos una vez al año si la segadora se utiliza menos 25 horas el año. Revise el nivel del aceite del cárter antes de arrancar el motor y después de cada cinco (5) horas de uso continuado. Apriete el tapón del aceite en forma segura cada vez que revise el nivel del aceite.

### PARA CAMBIAR EL ACEITE DEL MOTOR

**AVISO:** Antes de inclinar la segadora para drenar el aceite, drene el tanque de combustible haciendo correr el motor hasta que el tanque esté vacío.

1. Desconecte el alambre de la bujía y póngalo de modo que no pueda entrar en contacto con ésta.
2. Remueva la tapa del depósito del aceite; déjela a un lado en una superficie limpia.
3. Incline la cortadora de césped por este costado tal como se muestra y purgue el aceite en un recipiente idóneo. Mueva la segadora de atrás para adelante para remover todo el aceite que se haya quedado atrapado dentro del motor.



4. Limpie todo el aceite derramado en la segadora y en el lado del motor.
5. Echar aceite despacio en el conducto del aceite, parándose a intervalos regulares para controlar el nivel del aceite con la varilla.

6. Parar de añadir aceite cuando se alcanza la señal de lleno (FULL) en la varilla. Esperar un minuto para dejar que el aceite se arregle.
7. Continúe agregando cantidades pequeñas de aceite y vuelva a inspeccionar la varilla medidora settles del nivel de aceite en lleno (FULL). NO sobrellene el motor con aceite, o fumará pesa demante del silenciador cuando lo valla a arrancar.
8. Asegúrese de apretar la varilla medidora del aceite antes de arrancar el motor.
9. Vuelva a conectar el alambre de la bujía a ésta.

## FILTRO DE AIRE

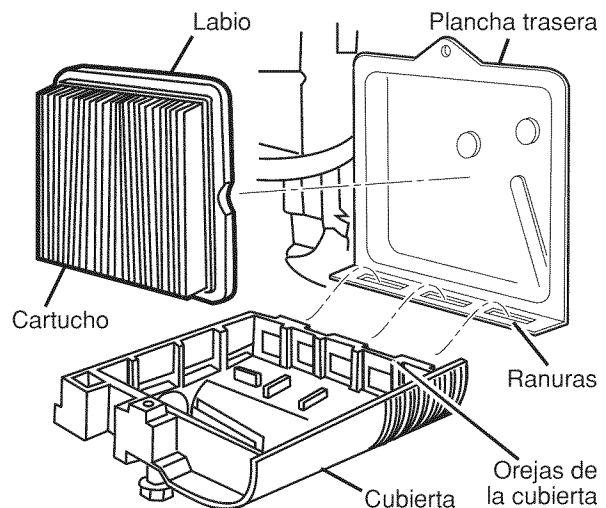
Su motor puede sufrir averías y funcionar de manera incorrecta con un filtro del aire sucio. Sustituir el papel del cartucho una vez al año o tras 100 horas de funcionamiento, más a menudo si se utiliza en condiciones de suciedad y polvo particulares.

### PARA LIMPIAR EL FILTRO DE AIRE

1. Suelte el tornillo e incline la cubierta para removerlo.
2. Cuidadosamente, remueva el cartucho.
3. Límpielo golpeándolo suavemente en una superficie plana. Si está muy sucio cambie el cartucho.

**PRECAUCIÓN:** Los solventes de petróleo, tales como el keroseno, no se deben usar para limpiar el cartucho. Pueden producir el deterioro de éste. No aceite el cartucho. No use aire a presión para limpiarlo o secarlo.

4. Instale el cartucho, luego vuelva a poner la cubierta asegurándose que las orejas estén alineadas con las ranuras en la plancha trasera. Apriete el tornillo en forma segura.



## SILENCIADOR

Inspeccione y cambie el silenciador si está corroído puede producir un peligro de incendio y/o daño.

## BUJÍA

Cambie el bujía al comienzo de cada temporada de siega o después de cada 100 horas de operación, lo que suceda primero. El tipo de bujía y el ajuste de la abertura aparecen en “ESPECIFICACIONES DEL PRODUCTO” sección de este manual.

## LIMPIEZA

**IMPORTANTE:** Para obtener el mejor rendimiento, mantenga la caja de la segadora sin acumulación de césped y basura. Limpie la parte de abajo de su segadora después de cada uso.

**PRECAUCIÓN:** Desconecte el alambre de la bujía y póngalo en donde no pueda entrar en contacto con ésta.

- Haga descansar la segadora en su lado. Asegúrese que el filtro de aire y que el carburador queden mirando hacia arriba. Limpie la parte inferior de su segadora raspándola para remover la acumulación de césped y basura.

- Limpie el motor a menudo para evitar que se acumule la basura. Un motor tapado funciona más caliente y se acorta su duración.
- Mantenga las superficies pulidas y las ruedas sin gasolina, aceite, etc.
- No recomendamos el uso de una manguera de jardín para limpiar la segadora a menos que el sistema eléctrico, el silenciador, el filtro de aire y el carburador estén tapados para evitar que les entre el agua. El agua en el motor puede acortar la duración de éste.

## DERRUBIO DEL AGUA

### LIMPIE DEBAJO DE LA CUBIERTA DE LA IMPULSIÓN

Limpie debajo de la cubierta de la impulsión por lo menos dos veces cada temporada. Raspe debajo de la cubierta con un cuchillo para masilla o con una herramienta parecida, para remover toda acumulación de césped o basura en la parte inferior de la cubierta de la impulsión.

## SERVICIO Y AJUSTES

**ADVERTENCIA:** Para evitar lesiones serias, antes de dar cualquier servicio o de hacer ajustes:

1. Suelte la barra de control y pare el motor.
2. Asegúrese que la cuchilla y que todas las partes móviles se hayan detenido completamente.
3. Desconecte el alambre de la bujía y póngalo en donde no pueda entrar en contacto con ésta.

## SEGADORA

### PARA AJUSTAR LA ALTURA DE CORTE

Vea “PARA AJUSTAR LA ALTURA DE CORTE” en la sección de Operación de este manual.

### DESVIADOR TRASERO

Se proporciona un desviador trasero, adjunto entre las ruedas traseras de su segadora, para reducir a un mínimo la posibilidad que objetos sean lanzados hacia afuera de la parte trasera de la segadora, en la posición en donde se encuentra el operador. Si se daña el desviador debe cambiarse.

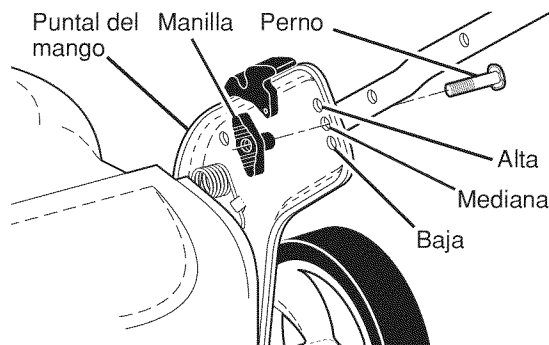
### LA CORREA DE IMPULSIÓN

Si su segadora no está funcionando en forma adecuada debido a problemas que se sospecha vienen del correa de impulsión, lleve su segadora a contacto con su centro de servicio Sears o con un otro centro de servicio cualificado para repararla y/o ajustarla.

### PARA AJUSTAR EL MANGO

El mango de su segadora cuenta con tres (3) posiciones de altura – ajústelo a la altura que le acomode.

1. Remueva la manilla y el perno portador en un lado del mango inferior.
2. Al mismo tiempo que sujeta el conjunto del mango, remueva la manilla y el perno portador del lado opuesto, alinee el agujero en el mango con el agujero deseado en el puntal del mango y vuelva a montar el perno y la manilla y apriételes en forma segura.
3. Alinee el lado opuesto del mango con el agujero de la misma posición y asegúrelos con el perno y la manilla.



## MOTOR

### VELOCIDAD DEL MOTOR

La velocidad del motor ha sido ajustada en la fábrica. No trate de aumentar la velocidad del motor pues se pueden producir lesiones personales. Si cree que el motor está funcionando demasiado rápido o demasiado lento, lleve su segadora a más con su centro de servicio Sears o con un otro centro de servicio cualificado.

## CARBURADOR

Su carburador tiene un chorro principal fijo no ajustable para controlar la mezcla. Si su motor no está funcionando en forma adecuada debido a problemas que se sospecha vienen del carburador, lleve su segadora a contacto con su centro de servicio Sears o con un otro centro de servicio cualificado para repararla y/o ajustarla.

**IMPORTANTE:** Nunca manipule el regulador del motor, el que ha sido ajustado en la fábrica para la velocidad del motor adecuada. Puede ser peligroso hacer funcionar el motor a una velocidad por sobre el ajuste de alta velocidad de la fábrica. Si cree que la velocidad alta regulada del motor necesita ajuste, contacto con su centro de servicio Sears o con un otro centro de servicio cualificado, el que cuenta con el equipo adecuado y la experiencia para hacer los ajustes necesarios.

## ALMACENAMIENTO

Inmediatamente prepare su segadora para el almacenamiento al final de cada temporada o si la unidad no se va a usar por 30 días o más.

### SEGADORA

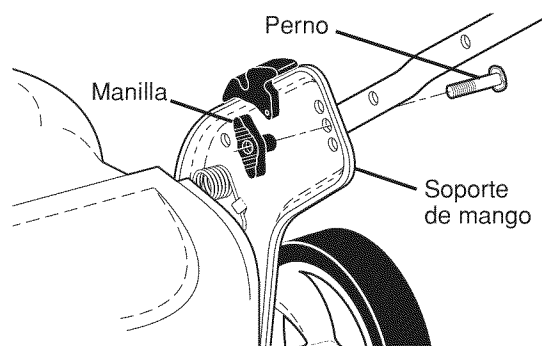
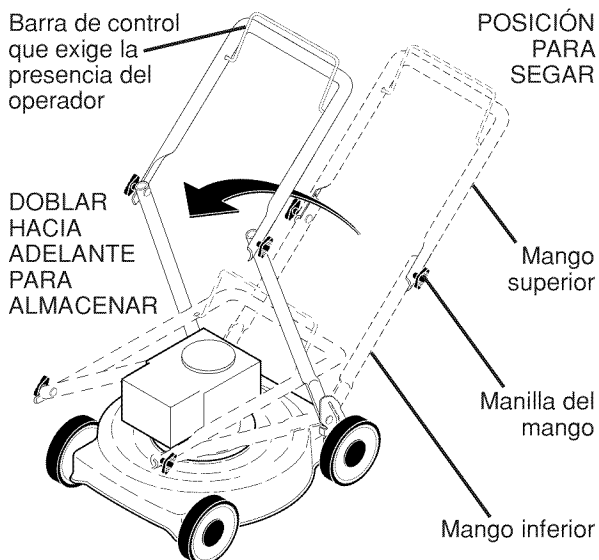
Cuando se va a guardar la segadora por cierto período de tiempo, límpiela cuidadosamente, remueva toda la mugre, la grasa, las hojas, etc. Guárdela en un área limpia y seca.

1. Limpie toda la segadora (Vea "LIMPIEZA" en la sección de Mantenimiento de este manual).
2. Lubríquela según se muestra en la sección de Mantenimiento de este manual.
3. Asegúrese de que todas las tuercas y clavijas y todos los pernos y tornillos estén apretados en forma segura. Inspeccione las partes que se mueven para verificar si están dañadas, quebradas o desgastadas. Cámbielas si es necesario.
4. Retoque todas las superficies que estén oxidadas o con la pintura picada; use una lija antes de pintar.

### MANGO

Puede doblar el mango de su segadora para el almacenamiento.

1. Suelte las dos (2) manillas del mango en cada lado del mango superior y permita que el mango se doble hacia atrás.
2. Remueva las dos (2) manillas y los pernos de cada lado del mango inferior y pivote el conjunto entero del mango hacia delante y permita que se descance sobre la segadora.
3. Vuelva a poner las manillas y los pernos al mango inferior o a los puntales del mango para la seguridad.
- Cuando prepare su mango a partir de la posición de almacenamiento, el mango inferior necesita cerrarlo manualmente para la posición de sega.



**IMPORTANTE:** Cuando doble el mango para el almacenamiento o el transporte, asegúrese que lo doble según se muestra o puede dañar los cables de control.

## MOTOR

### SISTEMA DE COMBUSTIBLE

**IMPORTANTE:** Es importante evitar que se formen depósitos de goma en partes fundamentales del sistema de combustible tales como el carburador, el filtro del combustible, la manguera del combustible o en el estanque durante el almacenamiento. Los combustibles mezclados con alcohol (conocido como gasohol o que tienen etanol o metanol) Pueden atraer humedad, lo que conduce a la separación y a la formación de ácidos durante el almacenamiento. La gasolina ácida puede dañar el sistema de combustible de un motor durante el período de almacenamiento.

- Vaciar el depósito del carburante poniendo en marcha el motor y dejándolo funcionar hasta que el carburante termine y el carburador esté vacío.
- Nunca use los productos para limpieza del carburador o del motor en el estanque de combustible pues se pueden producir daños permanentes.
- Use combustible nuevo la próxima temporada.

**AVISO:** El estabilizador de combustible es una alternativa aceptable para reducir a un mínimo la formación de depósitos de goma en el combustible durante el período de almacenamiento. Agregue estabilizador a la gasolina en el estanque de combustible o en el envase para el almacenamiento. Siempre siga la proporción de mezcla que se encuentra en el envase del estabilizador. Haga funcionar el motor por lo menos 10 minutos después de agregar el estabilizador, para permitir que este llegue al carburador. No drene la gasolina del estanque de gasolina y el carburador si se está usando estabilizador de combustible.

### ACEITE DEL MOTOR

Drene el aceite (con el motor caliente) y cámbielo con aceite de motor limpio. (Vea "MOTOR" en la sección de Mantenimiento de este manual.)

### CILINDRO

1. Remueva la bujía.
2. Vacíe una onza (29 ml) de aceite a través del agujero de la bujía en el cilindro.
3. Tire la manilla de arranque lentamente unas cuantas veces para distribuir el aceite.
4. Vuelva a montar la nueva bujía.

### OTROS

- No guarde la gasolina de una temporada a la otra.
- Cambie el envase de la gasolina si se empieza a oxidar. La oxidación y/o la mugre en su gasolina producirán problemas.
- Si es posible, guarde su unidad en un recinto cerrado y cúbrala para protegerla contra el polvo y la mugre.
- Cubra su unidad con un forro protector adecuado que no retenga la humedad. No use plástico. El plástico no puede respirar, lo que permite la formación de condensación, lo que producirá la oxidación de su unidad.

**IMPORTANTE:** Nunca cubra la segadora mientras el motor y las áreas de escape todavía están calientes.

**PRECAUCIÓN:** Nunca almacene la segadora con gasolina en el estanque dentro de un edificio en donde los gases pueden alcanzar una llama expuesta o una chispa. Permita que se enfríe el motor antes de almacenarla en algún recinto cerrado.

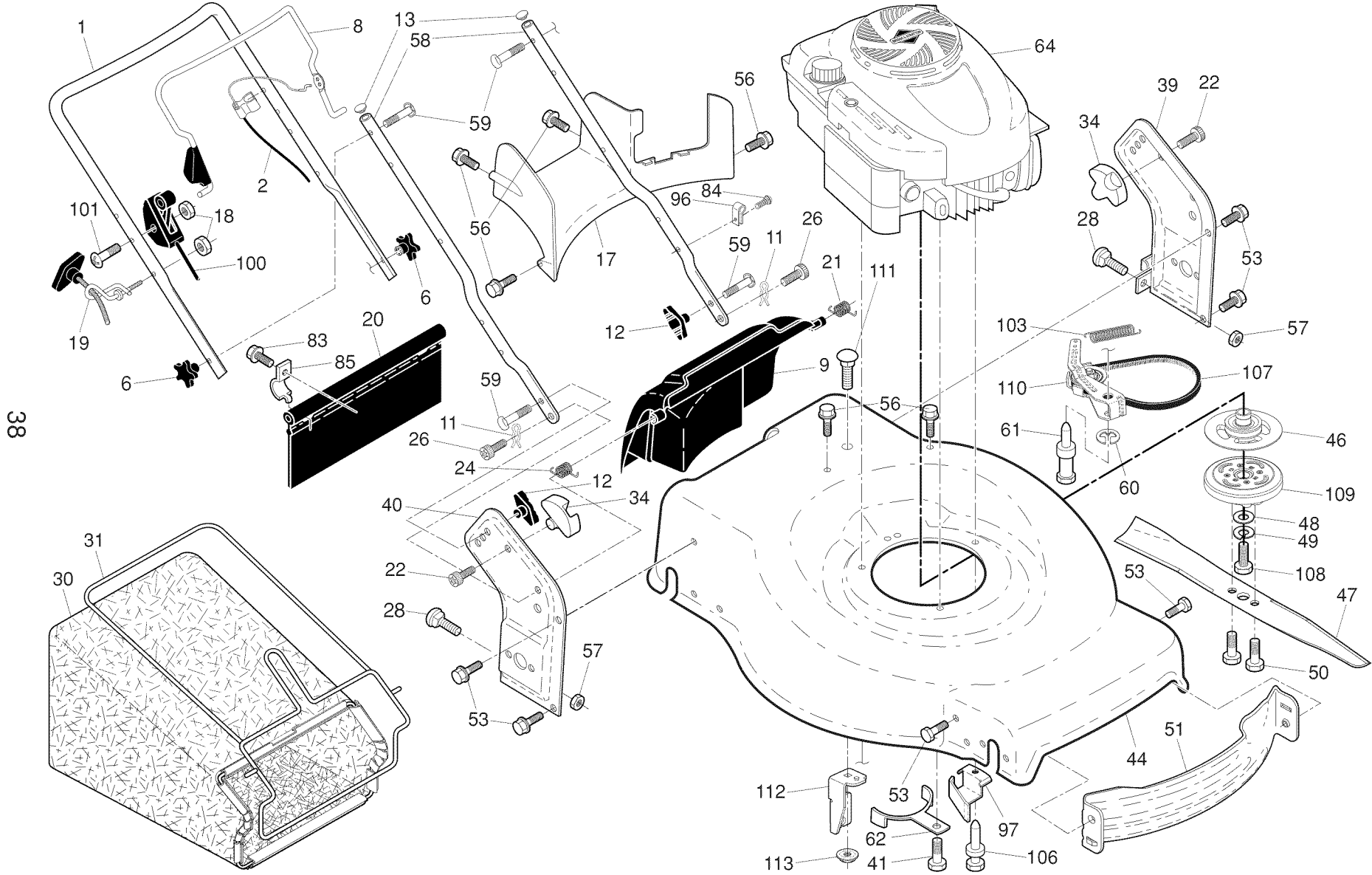
**SOLUCIÓN DE PROBLEMAS - Vea la sección apropiada en el manual amenos que esté dirigido a un centro de servicio Sears.**

<b>PROBLEMA</b>	<b>CAUSA</b>	<b>CORRECCIÓN</b>
<b>No arranca</b>	<ol style="list-style-type: none"> <li>1. Filtro de aire sucio.</li> <li>2. Sin combustible.</li> <li>3. Combustible rancio.</li> <li>4. Agua en el combustible.</li> <li>5. Alambre de la bujía desconectado.</li> <li>6. Bujía mala.</li> <li>7. Cuchilla suelta o adaptador de la cuchilla quebrado.</li> <li>8. Barra de control en la posición suelta.</li> <li>9. Barra de control defectuosa.</li> <li>10. Válvula del combustible (si equipada) está en la posición OFF.</li> <li>11. Batería débil (si equipada).</li> <li>12. Desconecte el conector de la batería (si equipada).</li> <li>13. Palanca de mando del motor en posición de STOP.</li> </ol>	<ol style="list-style-type: none"> <li>1. Limpie/cambie el filtro de aire.</li> <li>2. Llene el estanque de combustible.</li> <li>3. Drene el estanque de combustible y vuelva a llenar el estanque con gasolina nueva.</li> <li>4. Drene el estanque de combustible y vuelva a llenar el estanque con gasolina nueva.</li> <li>5. Conecte el alambre a la bujía.</li> <li>6. Cambie la bujía.</li> <li>7. Apriete el perno de la cuchilla cambie el adaptador de la cuchilla.</li> <li>8. Presione la barra de control hacia el mango.</li> <li>9. Cambie la barra de control.</li> <li>10. Gire a la válvula del combustible a la posición ON.</li> <li>11. Cague la batería.</li> <li>12. Conecte la batería al motor.</li> <li>13. Colocar la palanca de mando de motor en la posición RAPIDO.</li> </ol>
<b>Falta de fuerza</b>	<ol style="list-style-type: none"> <li>1. Cuchilla desgastada, doblada o suelta.</li> <li>2. Altura de las ruedas dispareja.</li> <li>3. Velocidad del motor lenta.</li> <li>4. Acumulación de césped, hojas o basura debajo de la segadora.</li> <li>5. Demasiado aceite en motor.</li> <li>6. Velocidad de recorrido demasiado rápida.</li> </ol>	<ol style="list-style-type: none"> <li>1. Eleve la altura de corte.</li> <li>2. Eleve la altura de corte.</li> <li>3. Limpie/cambie el filtro de aire.</li> <li>4. Limpie la parte inferior de la caja de la segadora.</li> <li>5. Revise el nivel del aceite.</li> <li>6. Corte a una velocidad de recorrido más lenta.</li> </ol>
<b>Mal corte-disparejo</b>	<ol style="list-style-type: none"> <li>1. Cuchilla desgastada, doblada o suelta.</li> <li>2. Altura de las ruedas dispareja.</li> <li>3. Acumulación de césped, hojas o basura debajo de la segadora.</li> </ol>	<ol style="list-style-type: none"> <li>1. Cambie la cuchilla. Apriete el perno de la cuchilla.</li> <li>2. Ajuste todas las ruedas a la misma altura.</li> <li>3. Limpie la parte inferior de la caja de la segadora.</li> </ol>

**SOLUCIÓN DE PROBLEMAS - Vea la sección apropiada en el manual amenos que esté dirigido a un centro de servicio Sears.**

<b>PROBLEMA</b>	<b>CAUSA</b>	<b>CORRECCIÓN</b>
<b>Vibración siva</b>	<ol style="list-style-type: none"> <li>1. Cuchilla desgastada, doblada o suelta.</li> <li>2. Cigüeñal del motor doblado.</li> </ol>	<ol style="list-style-type: none"> <li>1. Cambie la cuchilla. Apriete el <b>exceperno</b> de la cuchilla.</li> <li>2. Póngase en contacto con su centro de servicio Sears o con un otro centro de servicio cualificado.</li> </ol>
<b>Cordón arrancador difícil de tirar</b>	<ol style="list-style-type: none"> <li>1. El freno del volante del motor está aplicado cuando se suelta la barra de control.</li> <li>2. Cigüeñal del motor doblado.</li> <li>3. Adaptador de la cuchilla quebrado.</li> <li>4. La cuchilla se arrastra en el césped.</li> <li>5. Embrague cuchilla/freno defectuoso.</li> </ol>	<ol style="list-style-type: none"> <li>1. Presione la barra de control hacia el mango superior antes de tirar el cordón arrancador.</li> <li>2. Póngase en contacto con su centro de servicio Sears o con un otro centro de servicio cualificado.</li> <li>3. Cambie el adaptador de la cuchilla.</li> <li>4. Mueva la segadora a un lugar en donde el césped ha sido cortado o a una superficie firme para hacer arrancar el motor.</li> <li>5. Sustituir el embrague cuchilla/freno.</li> </ol>
<b>Recogedor de césped no se llena (si viene equipado)</b>	<ol style="list-style-type: none"> <li>1. Altura de corte demasiado baja.</li> <li>2. Levantamiento de la cuchilla desgastado.</li> <li>3. Recogedor sin ventilación de aire.</li> </ol>	<ol style="list-style-type: none"> <li>1. Eleve la altura de corte.</li> <li>2. Cambie las cuchillas.</li> <li>3. Limpie el recogedor de césped.</li> </ol>
<b>Difícil de empujar</b>	<ol style="list-style-type: none"> <li>1. El césped está demasiado alto o la altura de la rueda demasiado baja.</li> <li>2. Parte trasera de la caja/cuchilla de la segadora arrastrándose en el césped.</li> <li>3. Recogedor de césped demasiado lleno.</li> <li>4. Posición de la altura del mango no adecuada para usted.</li> </ol>	<ol style="list-style-type: none"> <li>1. Eleve la altura de corte.</li> <li>2. Eleve la parte trasera de la caja de la segadora (1) un lugar más alto.</li> <li>3. Vacíe el recogedor de césped.</li> <li>4. Ajuste la altura del mango de modo que le acomode.</li> </ol>
<b>El embrague cuchilla/freno no se conecta</b>	<ol style="list-style-type: none"> <li>1. Mando de cuchilla/freno defectuoso.</li> </ol>	<ol style="list-style-type: none"> <li>1. Sustituir el mando cuchilla/freno.</li> </ol>
<b>El motor se cala cuando se enciende la cuchilla.</b>	<ol style="list-style-type: none"> <li>1. Motor frío.</li> <li>2. El cortacéspedes en hierba sin cortar.</li> </ol>	<ol style="list-style-type: none"> <li>1. Permita que el motor se caliente por un minuto.</li> <li>2. Mueva el cortacéspedes al área despejada.</li> </ol>
<b>Pérdida de impulsión o retardase de la velocidad</b>	<ol style="list-style-type: none"> <li>1. Desgaste de la correa.</li> <li>2. La correa está fuera de la polea.</li> <li>3. Cable de la impulsión usado o roto.</li> <li>4. El sistema de control del mecanismo impulsor "suelto".</li> </ol>	<ol style="list-style-type: none"> <li>1. Revise/cambie la correa de impulsión.</li> <li>2. Revise/vuelva a instalar la</li> <li>3. Cambie el cable de la impulsión.</li> <li>4. Ajuste el control del mecanismo impulsor.</li> </ol>

# CRAFTSMAN ROTARY LAWN MOWER - - MODEL NUMBER 917.370700



38

REPAIR PARTS



## CRAFTSMAN ROTARY LAWN MOWER - - MODEL NUMBER 917.370700

KEY NO.	PART NO.	DESCRIPTION	KEY NO.	PART NO.	DESCRIPTION	KEY NO.	PART NO.	DESCRIPTION
1	427615X479	Upper Handle	34	419946X615	Bracket, Grassbag	64	- - -	Engine, Briggs & Stratton, Model Number 126M02-0132-F1 (See Breakdown)
2	579484201	Cable, Blade Brake/Clutch Control	39	442470X479	Handle Bracket, LH			
6	182398	Handle Knob, Star	40	438526X479	Handle Bracket, RH	83	750097	Screw, Hex Washer Head
8	580749705	Control Bar Assembly (Includes Blade Control Lever, Roll Pin and Spring)	41	150406	Screw, Dogpoint 3/8-16 x 1-1/8	84	428124	Fastener, Push
9	421088	Rear Door Assembly	43	191730	Nut, Hex, Nylock	85	429801X004	Mounting Bracket, Rear Skirt
11	425575	Hairpin, Door/Handle Pivot	44	446898	Kit, Lawn Mower Housing	96	197991	Clip, Cable
12	442571X428	Handle Knob, Standard	46	579150701	Blade Brake/Clutch Assembly	97	580606902	Belt Keeper
13	437516	Plug, Handle Bar	47	579477001	Blade, 22"	100	580324801	Control, Throttle/Engine
17	431238X428	Rear Baffle	48	579273801	Washer, Flat	101	183365	Screw
18	132004	Keps Locknut 1/4-20	49	850263	Washer, Lock	103	579273301	Spring, Brake Reset
19	194788	Rope Guide	50	579331301	Bolt, Hex Head, Grade 8	106	579146901	Bolt, Brake Reset Spring
20	444501	Rear Skirt	51	430599	Front Baffle	107	579273201	Belt, Blade Brake/Clutch
21	419949	Spring, Rear Door, LH, Black	53	17000510	Screw, Hex Head 1/4-20	108	851084	Bolt, Blade Brake/Clutch
22	141841	Screw, Panhead, Torx #20	56	17411312	Screw, Hex Washer Head #13 x 3/4	109	579382701	Free Hub/Blade Adapter
24	419948	Spring, Rear Door, RH, Grey	57	155377	Nut, Hex	110	579272901	Tension Arm Assembly, Blade Brake/Clutch
26	419945	Screw, Rear Door/Handle Pivot	58	437517X479	Bar, Lower Handle	111	72140405	Bolt, Carriage 1/4-20
28	72250505	Bolt, Carriage 5/16-18 x 5/8	59	191574	Handle Bolt	112	579471802	Bracket, Mounting, Blade Brake/Clutch Cable
30	439330	Grassbag	60	579482801	E-Ring	113	438130	Nut, Hex 1/4-20
31	446432	Frame, Grass Catcher	61	579146801	Bolt, Pivot, Tension Arm	- -	446874	Owner's Manual, English / Spanish
			62	420474X004	Belt Retainer			

**NOTE:** All component dimensions given in U.S. inches. 1 inch = 25.4 mm.

**IMPORTANT:** Use only Original Equipment Manufacturer (O.E.M.) replacement parts. Failure to do so could be hazardous, damage your lawn mower and void your warranty.



## CRAFTSMAN ROTARY LAWN MOWER - - MODEL NUMBER 917.370700

KEY NO.	PART NO.	DESCRIPTION	KEY NO.	PART NO.	DESCRIPTION
1	420559	Drive Control Assembly (Includes Cable)	27	67725	Washer
7	194185X428	Control Bar, Drive	28	12000058	E-Ring 7/16
12	421527	Belt, Drive	29	189403	Cover, Dust, Wheel
13	434564	Gear Case Assembly, Complete	30	191730	Nut, Hex
14	194128	Pulley, Drive	31	404845	Pawl, Drive
15	431144	Wheel Adjuster, Rear, RH	32	405745X460	Wheel & Tire Assembly, Rear
16	431142	Wheel Adjuster, Rear, LH	33	409148	Nut, Flangelock 3/8-16
18	701037	Knob, Selector	34	404835	Pinion
20	579484101	Debris Shield	35	431138	Wheel Adjuster, Front, RH
22	17000510	Screw, Hex Head 1/4-20	36	431139	Wheel Adjuster, Front, LH
25	420474X004	Mounting Bracket, Debris Shield	37	163409	Screw, Hi-Lo Thread, 12 x 5/8
26	421516X004	Belt Keeper	40	400246X460	Wheel & Tire Assembly, Front, 8"
			55	406558	Spring, Return
			59	441786X004	Support Bracket

**NOTE:** All component dimensions given in U.S. inches. 1 inch = 25.4 mm.

**IMPORTANT:** Use only Original Equipment Manufacturer (O.E.M.) replacement parts. Failure to do so could be hazardous, damage your lawn mower and void your warranty.

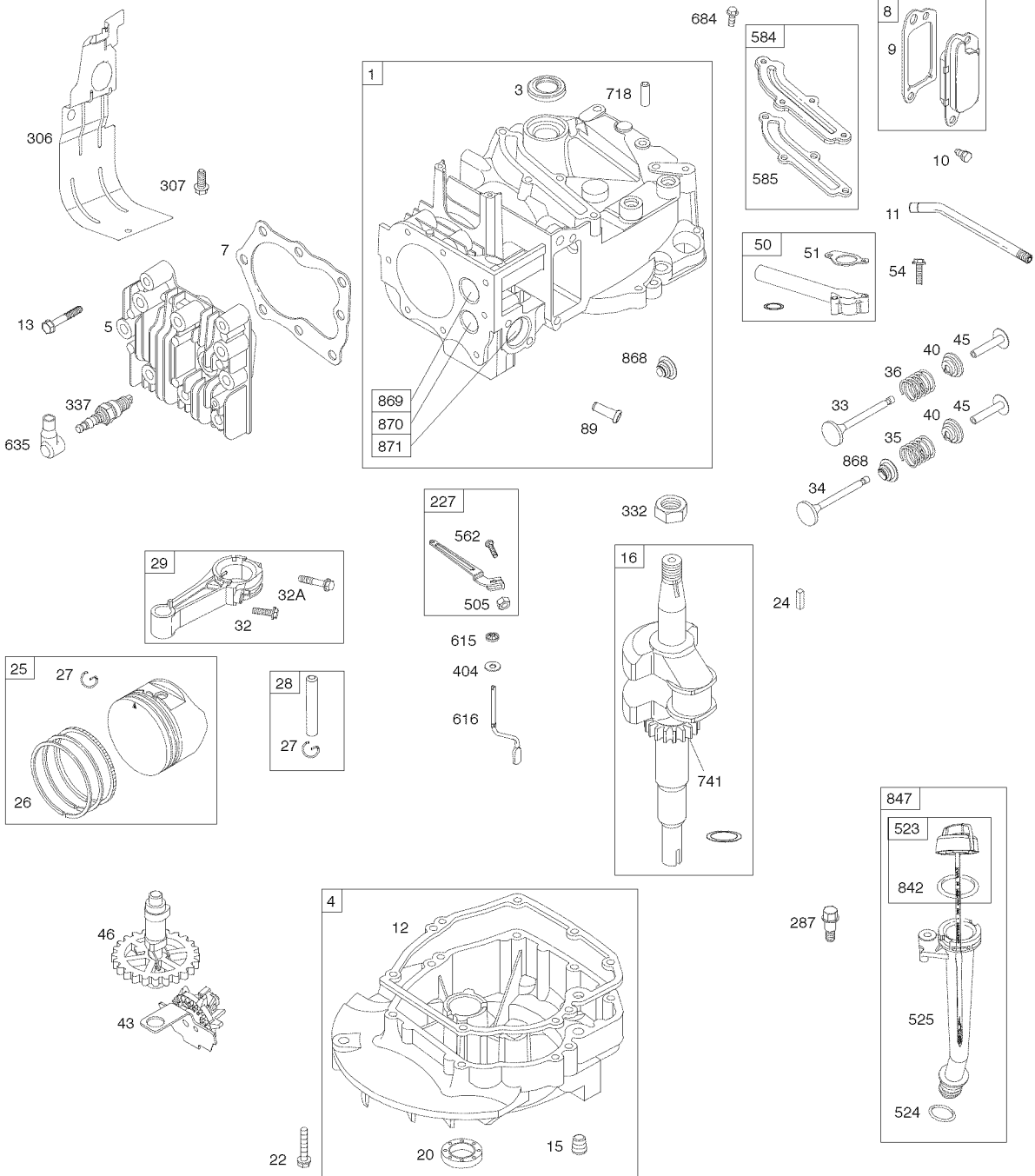


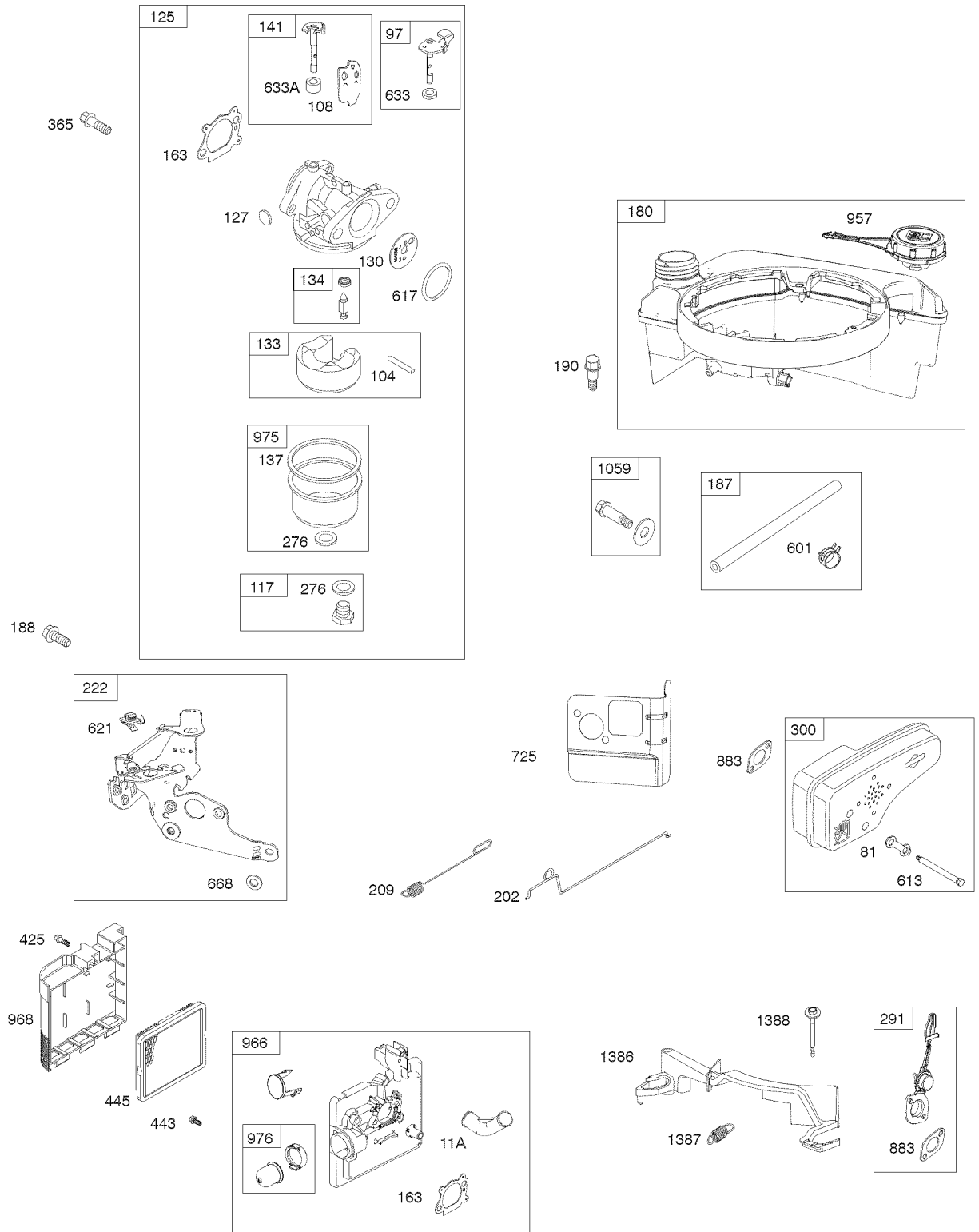
48 SHORT BLOCK

1058 OPERATOR'S MANUAL

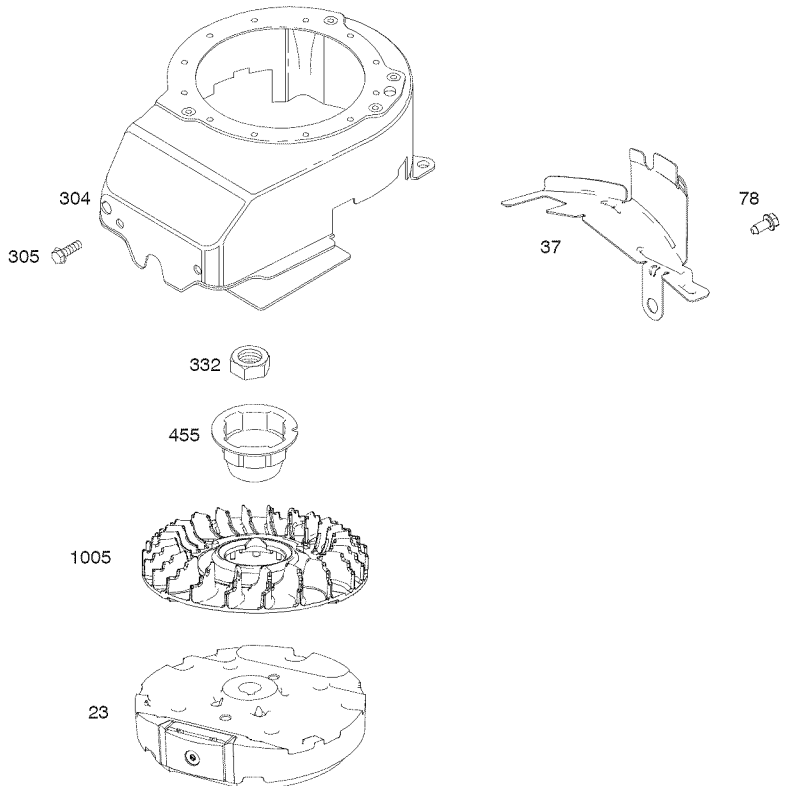
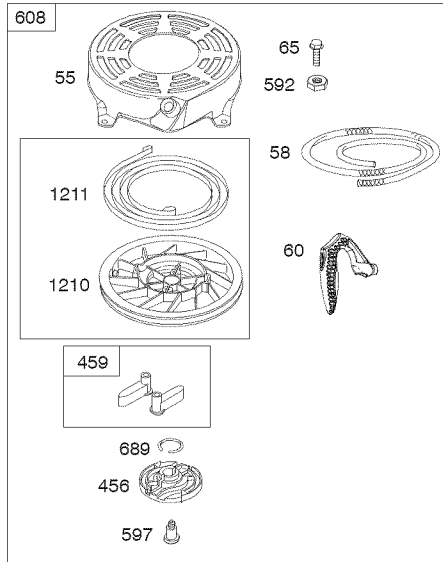
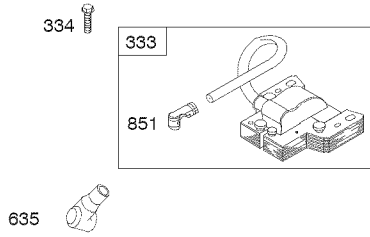
1329 REPLACEMENT ENGINE

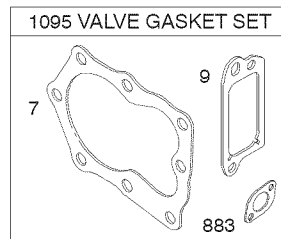
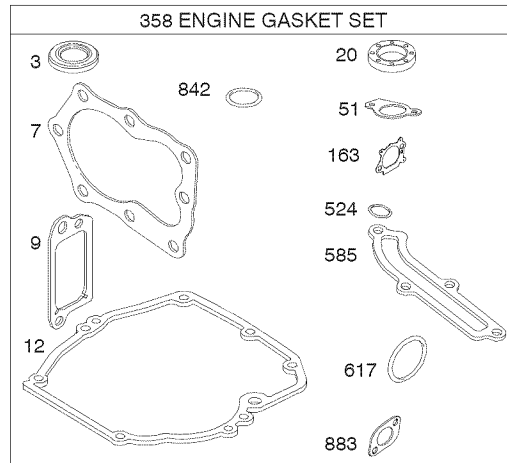
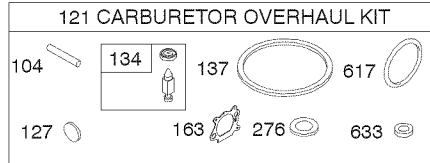
1330 REPAIR MANUAL





1036 EMISSIONS LABEL





**Engine Power Rating Information**

The gross power rating for individual gas engine models is labeled in accordance with SAE (Society of Automotive Engineers) code J1940 (Small Engine Power & Torque Rating Procedure), and rating performance has been obtained and corrected in accordance with SAE J1995 (Revision 2002-05). Torque values are derived at 3060 RPM; horsepower values are derived at 3600 RPM. Actual gross engine power will be lower and is affected by, among other things, ambient operating conditions and engine-to-engine variability. Given both the wide array of products on which engines are placed and the variety of environmental issues applicable to operating the equipment, the gas engine will not develop the rated gross power when used in a given piece of power equipment (actual “on-site” or net power). This difference is due to a variety of factors including, but not limited to, accessories (air cleaner, exhaust, charging, cooling, carburetor, fuel pump, etc.), application limitations, ambient operating conditions (temperature, humidity, altitude), and engine-to-engine variability. Due to manufacturing and capacity limitations, Briggs & Stratton may substitute an engine of higher rated power for this Series engine.



KEY NO.	PART NO.	DESCRIPTION	KEY NO.	PART NO.	DESCRIPTION
1	590401	Cylinder Assembly	46	691449	Camshaft
3	299819s	Seal-Oil (Magneto Side)	48	- - -	Short Block
4	493279	Sump-Engine	50	794305	Manifold-Intake
5	590411	Head-Cylinder	51	794306	Gasket-Intake
7	799875	Gasket-Cylinder Head	54	691650	Screw (Intake Manifold)
8	590395	Breather Assembly	55	691421	Housing-Rewind Starter
9	699472	Gasket-Breather	58	697316	Rope-Starter
10	691125	Screw (Breather Assembly)	60	799716	Grip-Starter Rope
11	691781	Tube-Breather	65	690837	Screw (Rewind Starter)
11A	691923	Tube-Breather (Air Cleaner Primer Base)	78	691108	Screw (Flywheel Guard)
12	692232	Gasket-Crankcase	81	691740	Lock-Muffler Screw
13	590422	Screw (Cylinder Head)	89	692348	Plug-Oil (Cylinder)
15	691680	Plug-Oil Drain	97	696565	Shaft-Throttle
16	591159	Crankshaft	104	797622	Pin-Float Hinge
20	399781s	Seal-Oil (PTO Side)	108	795935	Valve-Choke
22	691092	Screw (Crankcase Cover/Sump)	117	590440	Jet-Main (Standard)
23	790536	Flywheel	121	498260	Kit-Carburetor Overhaul
24	222698s	Key-Flywheel (Aluminum)	125	799866	Carburetor
25	590404	Piston Assembly (Standard)	127	694468	Plug-Welch
	590405	Piston Assembly (.020" Oversize)	130	696564	Valve-Throttle
26	590402	Ring Set (Standard)	133	398187	Float-Carburetor
	590403	Ring Set (.020" Oversize)	134	398188	Kit-Needle/Seat
27	691588	Lock-Piston Pin	137	796610	Gasket-Float Bowl
28	298909	Pin-Piston	141	796193	Kit-Choke Shaft
29	797306	Rod-Connecting	163	795629	Gasket-Air Cleaner
32	691664	Screw (Connecting Rod) (1/4-28 x 1.09)	187	791766	Line-Fuel (Cut To Required Length)
32A	695759	Screw (Connecting Rod) (1/4-28 x 1.52)	188	693999	Screw (Control Bracket)
33	590394	Valve-Exhaust	190	690940	Screw (Fuel Tank)
34	590393	Valve-Intake	202	691829	Link-Mechanical Governor
35	691270	Spring-Valve (Intake)	209	699056	Spring-Governor (No Color)
36	691270	Spring-Valve (Exhaust)	222	790143	Bracket-Control
37	793756	Guard-Flywheel	227	690783	Lever-Governor Control
40	692194	Retainer-Valve	276	271716	Washer-Sealing
43	691997	Slinger-Governor/Oil	287	690940	Screw (Dipstick Tube)
45	690548	Tappet-Valve	291	790830	Thermostat
			300	790828	Muffler
			304	791291	Housing-Blower
			305	691108	Screw (Blower Housing)
			306	790836	Shield-Cylinder
			307	690345	Screw (Cylinder Shield)

<b>KEY NO.</b>	<b>PART NO.</b>	<b>DESCRIPTION</b>	<b>KEY NO.</b>	<b>PART NO.</b>	<b>DESCRIPTION</b>
332	690662	Nut (Flywheel)	725	590460	Shield-Heat
333	590454	Armature-Magneto	741	795755	Gear-Timing
334	691061	Screw (Magneto Armature)	842	691031	Seal-O Ring (Dipstick Tube)
337	591040	Plug-Spark	847	692047	Dipstick/Tube Assembly
358	590508	Gasket Set-Engine	851	493880s	Terminal-Spark Plug
365	691688	Screw (Carburetor)	868	697338	Seal-Valve
404	690272	Washer (Governor Crank)	869	691155	Seat-Valve (Intake)
425	690670	Screw (Air Cleaner Cover)	870	690380	Seat-Valve (Exhaust)
443	692523	Screw (Air Cleaner Primer Base)	871	590409	Bushing-Valve Guide
445	491588s	Filter-Air Cleaner Cartridge	883	691881	Gasket-Exhaust
455	791960	Cup-Flywheel	957	591003	Cap-Fuel Tank
456	692299	Plate-Pawl Friction	966	795259	Base-Air Cleaner Primer
459	281505s	Pawl-Ratchet	968	692298	Cover-Air Cleaner
505	691251	Nut (Governor Control Lever)	972	590490	Tank-Fuel
523	499621	Dipstick	975	796611	Bowl-Fuel
524	692296	Seal- Dipstick Tube	976	694395	Primer-Carburetor
525	495265	Tube-Dipstick	1005	691346	Fan-Flywheel
562	691119	Bolt (Governor Control Lever)	1036	- - -	Label-Emissions (Available from any Briggs & Stratton Authorized Dealer)
584	697734	Cover-Breather Passage	1058	277039	Operator's Manual
585	691879	Gasket (Breather Passage)	1059	692311	Kit-Screw/Washer (Fuel Tank)
592	690800	Nut (Rewind Starter)	1095	590507	Gasket Set-Valve
597	691696	Screw (Pawl Friction Plate)	1210	498144	Pulley/Spring Assembly (Pulley)
601	791850	Clamp-Hose (Green)	1211	498144	Pulley/Spring Assembly (Spring)
608	497680	Starter-Rewind	1329	- - -	Replacement Engine
613	790833	Screw (Muffler)	1330	270962	Repair Manual
615	690340	Retainer-Governor Shaft	1386	790848	Vane-Air
616	698801	Crank-Governor	1387	790849	Spring-Air Vane
617	270344s	Seal-O Ring (Intake Manifold)	1388	790850	Screw (Air Vane)
621	692310	Switch-Stop (Brake)	- -	398067	Spark Arrester (available accessory)
633	691321	Seal-Choke/Throttle Shaft (Throttle Shaft)			
633A	693867	Seal-Choke/Throttle Shaft (Choke Shaft)			
635	66538s	Boot-Spark Plug			Carburetor Overhaul Kit Key No. 121
668	493823	Spacer (Control Bracket)			Engine Gasket Set Key No. 358
684	690345	Screw (Breather Passage Cover)			Valve Gasket Set Key No. 1095
689	691855	Spring-Friction			
718	690959	Pin-Locating			

**NOTE:** All component dimensions given in U.S. inches. 1 inch = 25.4 mm.



## NEED MORE HELP?

You'll find the answer and more on [managemyhome.com](http://managemyhome.com) – for free!

- Find this and all your other product manuals online.
- Get answers from our team of home experts.
- Get a personalized maintenance plan for your home.
- Find information and tools to help with home projects.

manage **my** home

brought to you by Sears

## Get it fixed, at your home or ours!

### Your Home

For repair – **in your home** – of **all** major brand appliances, lawn and garden equipment, or heating and cooling systems, **no matter who made it, no matter who sold it!**

For the replacement parts, accessories and owner's manuals that you need to do-it-yourself.

For Sears professional installation of home appliances and items like garage door openers and water heaters.

**1-800-4-MY-HOME**<sup>®</sup> Anytime, day or night  
(1-800-469-4663) (U.S.A. and Canada)  
[www.sears.com](http://www.sears.com) [www.sears.ca](http://www.sears.ca)

### Our Home

For repair of carry-in products like vacuums, lawn equipment, and electronics, call or go on-line for the nearest **Sears Parts and Repair Center.**

**1-800-488-1222** Anytime, day or night (U.S.A. only)  
[www.sears.com](http://www.sears.com)

To purchase a protection agreement (U.S.A.) or maintenance agreement (Canada) on a product serviced by Sears:

**1-800-827-6655** (U.S.A.) **1-800-361-6665** (Canada)

Para pedir servicio de reparación a domicilio, y para ordenar piezas:

**1-888-SU-HOGAR**<sup>®</sup>  
(1-888-784-6427)

Au Canada pour service en français:

**1-800-LE-FOYER**<sup>MC</sup>  
(1-800-533-6937)  
[www.sears.ca](http://www.sears.ca)

**Sears**

© Sears Brands, LLC

® Registered Trademark / <sup>TM</sup> Trademark / <sup>SM</sup> Service Mark of Sears Brands, LLC

® Marca Registrada / <sup>TM</sup> Marca de Fábrica / <sup>SM</sup> Marca de Servicio de Sears Brands, LLC

<sup>MC</sup> Marque de commerce / <sup>MD</sup> Marque déposée de Sears Brands, LLC

446874 Rev. 6 08.28.12 BY

Printed in U.S.A.