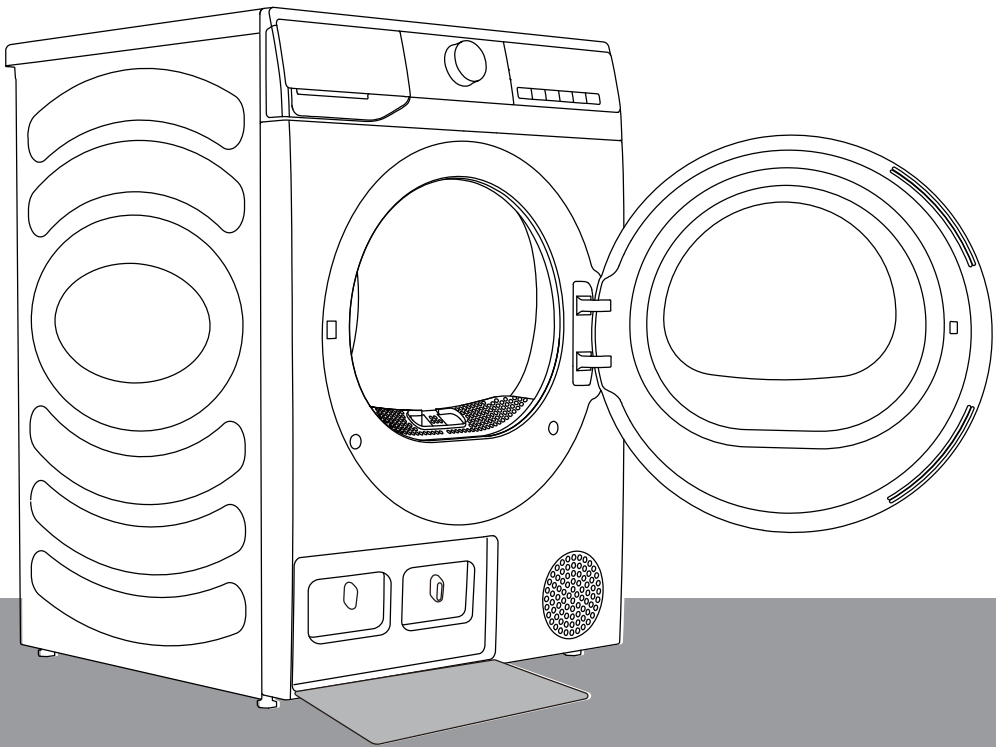


EN

# USER' S OPERATION MANUAL

**gorenje**



[www.gorenje.com](http://www.gorenje.com)

Thank you very much for choosing our products.

- Please install and use this product correctly.
- The pictures in the manual are schematic diagrams, and the appearance and printing shall be subject to the actual products.
- The product subject to technical changes without prior notice for overall performance improvement.
- This dryer is intended solely for household use. Please do not use it to dry clothes that are not suitable for machine wash.

The symbols used in this manual are as follows:



Warning

It is used for matters related to safety and may cause personal injury.



Warning

Risk of fire /Flammable materials



Read the instructions.

# **TABLE OF CONTENTS**

**SAFETY INFORMATION**

**DESCRIPTION OF THE DRYER**

**INSTALLATION AND CONNECTION**

**BEFORE USING THE APPLIANCE FOR THE FIRST TIME**

**DRYING PROCESS, STEP BY STEP(1-4)**

**MAINTENANCE & CLEANING**

**TROUBLESHOOTING**

**TYPICAL COMSUMPTION TABLE**

**TIPS FOR DRYING AND ECONOMIC USE YOUR DRYER**

**DISPOSAL**

# SAFETY INFORMATION

- ◇ Carefully read the instructions for use before using the dryer.
- ◇ Please, do not use the dryer without reading and understanding these instructions for use first.
- ◇ These instructions for use of a dryer are supplied with different types or models of dryers. Therefore, they may include descriptions of settings or equipment that are not available in your dryer.
- ◇ Failure to observe the instructions for use or inappropriate use of the dryer may result in damage to the laundry or the appliance, or injury to the user. Keep the instruction manual handy, near the dryer.
- ◇ Your dryer is intended solely for household use. If the dryer is used for professional, for-profit purpose or purpose exceeding normal use in a household, or if the dryer is used by a person who is not a consumer, the warranty period shall be equal to the shortest warranty period required by relevant legislation.
- ◇ The dryer is made in compliance with all relevant safety standards.



## **WARNING:**

To reduce the risk of explosion, fire, death, electric shock, injury or scalding to persons when using this product, follow basic precautions, including the following.

# INSTALLATION

- Follow the instructions for correct installation of the dryer and connection to the power mains.
- For appliances with ventilation openings in the base, a carpet must not obstruct the openings.
- The appliance must not be installed behind a lockable door, a sliding door or door with a hinge on the opposite side to that of the tumble dryer, in such a way that a full opening of the tumble dryer door is restricted.
- All and any repairs or maintenance tasks on the dryer should only be done by trained experts. Unprofessional repair may result in an accident or major malfunction.
- To avoid danger, a damaged power cord may only be replaced by the manufacturer, a service technician, or an authorized person.
- After installation, the dryer should stand still for two hours before it is connected to the power mains.
- At least two persons are required to install the tumble dryer on top of a washing machine.
- Install the dryer in a room with adequate ventilation and a temperature between 10°C and 25°C.
- Always use the ducts or hoses supplied with the dryer.
- Place the dryer on a level and stable solid (concrete) base.
- Do not place the dryer behind lockable or sliding door, or door with a hinge on the opposite side of the dryer door hinge. Install the dryer in such way that the door can always be freely opened.

- Never block the air exhaust (evacuation opening).
- Do not place the dryer on a carpet with long fibres as this may impede air circulation.
- Air in the dryer environment should not contain dust particles.
- The appliance may not be in contact with a wall or adjacent furniture.
- This appliance must not be stored or used in any outdoor location.
- That adequate ventilation has to be provided to avoid the back flow of gases into the room from appliances burning other fuels, including open fires.

## **ELECTRICAL SAFETY**

- If the supply cord is damaged, it must be replaced by the manufacturer, its service agent or similarly qualified persons in order to avoid a hazard.
- The dryer may not be connected to the power mains using an extension cord.
- Do not connect the tumble dryer to an electrical outlet intended for an electric shaver or a hair dryer.
- The dryer is protected with an automatic switch-off system in case of overheating. This system will switch off the dryer if the temperature is too high.
- If the net filter is clogged, the overheating automatic switch-off system may be activated. Clean the filter, wait for the dryer to cool down, and try running it again. If the dryer still fails to start, call a service technician.

- Do not use multiple outlet sockets, an extension power cable or double adapter with this appliance.
- This appliance must be earthed via the power cord. In the event of malfunction or breakdown, grounding will reduce the risk of electric shock by providing a path of least resistance for electric current.
- Improper connection of the equipment-grounding conductor can result in risk of electric shock. Check with a qualified electrician or service personnel if you are in doubt as to whether the appliance is properly grounded.
- This appliance is equipped with a power cord having an equipment-grounding earthing pin and a grounding power plug. The power plug must be plugged into an appropriate outlet socket that is installed and grounded in accordance with all local codes and ordinances.
- Never unplug the appliance by pulling on the power cable. Always grip the power plug firmly and pull straight out from the outlet socket.
- Do not spray water inside or outside the appliance to clean it.



**WARNING:**

- The appliance must not be supplied through an external switching device, such as a timer, or connected to a circuit that is regularly switched on and off by a utility.
- There is a risk of electric shock as the dryer is operated with electricity .
- Check the dryer for visible damage .
- You must not operate the dryer if it is damaged .

- Before connecting the dryer to the power supply , ensure that the electric voltage specified on the rating plate matches the voltage of your socket .
- Only use residual current circuit breakers with the following symbol.
- Ensure that the mains cable is not kinked or trapped , and it does not come into contact with heat sources or sharp edges .

## **CHILDREN SAFETY**

- This appliance is not intended for use by persons (including children) with reduced physical, sensory or mental capabilities, or lack of experience and knowledge, unless they have been given supervision or instruction concerning use of the appliance by a person responsible for their safety.
- Children should be supervised to ensure that they do not play with the appliance.
- This appliance can be used by children aged from 8 years and above and persons with reduced physical, sensory or mental capabilities or lack of experience and knowledge if they have been given supervision or instruction concerning use of the appliance in a safe way and understand the hazards involved. Children shall not play with the appliance. Cleaning and user maintenance shall not be made by children without supervision.
- Children of less than 3 years should be kept away unless continuously supervised.
- Prevent your children and pets from entering the dryer drum.
- Before closing the dryer door and running the programme, make sure there is nothing except laundry in the drum (e.g. if a child climbed into the dryer drum and closed the door from the inside).
- Do not leave the appliance door open. Children may hang on the door or crawl inside the appliance, causing damage or injury.

## USE

- The tumble dryer is not to be used if industrial chemicals have been used for cleaning.
- The lint trap has to be cleaned frequently.
- Do not dry unwashed items in the tumble dryer.
- Items that have been soiled with substances such as cooking oil, acetone, alcohol, petrol, kerosene, spot removers, turpentine, waxes and wax removers should be washed in hot water with an extra amount of detergent before being dried in the tumble dryer.
- Items such as foam rubber (latex foam), shower caps, waterproof textiles, rubber backed articles and clothes or pillows fitted with foam rubber pads should not be dried in the tumble dryer.
- Fabric softeners, or similar products, should be used as specified by the fabric softener instructions.
- Remove all objects from pockets such as lighters and matches.
- Oil-affected items can ignite spontaneously, especially when exposed to heat sources such as in a tumble dryer. The items become warm, causing an oxidation reaction in the oil. Oxidation creates heat. If the heat cannot escape, the items can become hot enough to catch fire. Piling, stacking or storing oil-affected items can prevent heat from escaping and so create a fire hazard.
- If it is unavoidable that fabrics that contain vegetable or cooking oil or have been contaminated by hair care products be placed in a tumble dryer they should first be washed in hot water with extra detergent - this will reduce, but not eliminate, the hazard.
- In case of a defect, only use approved spare parts by authorized manufacturers.

- If the condensate tube is blocked or clogged, then tumble dryer operation is stopped.
- Before moving the dryer or before storing it in a non-heated room during the winter, the condensate tank has to be emptied.
- Clean the dryer filters after each drying cycle. If you have removed the filters, replace them before the next drying cycle.
- Do not use any solvents or cleaning agents that could damage the dryer (please observe the recommendations and warnings provided by the manufacturers of the cleaning agents).
- Never add chemicals or fragrances into the condensate tank.
- After the drying process, unplug the dryer power cord from the power outlet.
- The dryer uses a heat pump system to heat the air.
- The system consists of a compressor and a heat exchanger. When the dryer is started, compressor operation (the sound of flowing liquid) or flow of refrigerant may be louder as long as the compressor operates. This is not a sign of malfunction and it will not affect useful life of the dryer. In time and with use of the dryer this noise will become quieter.
- Do not drink or prepare food with the condensed water/distilled water. It can cause health problems to people and pets.
- Remove clothes from the product immediately when drying is complete or the power is turned off during the drying process. Leaving clothes that has been dried in the appliance unattended could result in fire. Clothes not removed from the appliance after drying could result in fire. Remove clothes immediately after drying, and then hang or lay the clothes flat to cool.

- Never attempt to operate the appliance if it is damaged, malfunctioning, partially disassembled, or has missing or broken parts, including a damaged cord or plug.
- Do not attempt to separate any panels or disassemble the appliance. Do not apply any sharp objects to the control panel in order to operate the appliance.
- Never reach into the appliance while it is operating. Wait until the drum has completely stopped.
- In case of flood, disconnect the power plug and contact the After-sales Service Center.
- Do not push down on the door, when the appliance door is open.
- Do not touch the power plug or the appliance controls with wet hands.
- Do not bend the power cable excessively or place a heavy object on it.
- Lint must not be allowed to accumulate around the tumble dryer.
- Keep the area underneath and around the appliance free of combustible materials such as fibres, paper, rags, chemicals, etc.
- As the dryer is heavy , you could injure yourself by trying to lift it . Do not lift the dryer on your own .
- You could cut your hands on the sharp edges of the dryer . Do not hold the dryer by the sharp edges .
- Protruding parts on the dryer may break off when it is lifted or pushed .
- Do not move the dryer by holding onto protruding parts .

- Check the dryer for damage caused during transportation .  
Never operate a dryer if it is damaged .
- Any residual water in the dryer may freeze and damage the dryer .
- Do not install the dryer in rooms that are at risk of frost .

The appliance contains refrigerant which although it is environmentally friendly, is flammable R290. Failure to dispose of it properly may result in a fire or poisoning. Dispose of the appliance properly and do not damage the pipes in the refrigerant circuit.



**WARNING:**

Never stop a tumble dryer before the end of the drying cycle unless all items are quickly removed and spread out so that the heat is dissipated.



**WARNING:**

In the appliance enclosure or in the built-in structure, keep ventilation openings clear of obstruction.



**WARNING:**

Do not damage the refrigerant circuit.

**Maximum Capacity**

The maximum capacity of dry textile material to be used in the appliance is:

DHNA92 / DHNA93
9kg

## **DANGER OF HOT SURFACE**

- At higher drying temperatures, the door glass will heat up. Be careful to avoid burns. Make sure children do not play near the door glass.
- The back of the dryer may get very hot during operation. Wait for the dryer to cool down completely before touching its back side.
- If you open the dryer door during the drying process, the clothes may be very hot and there is a risk of burning.

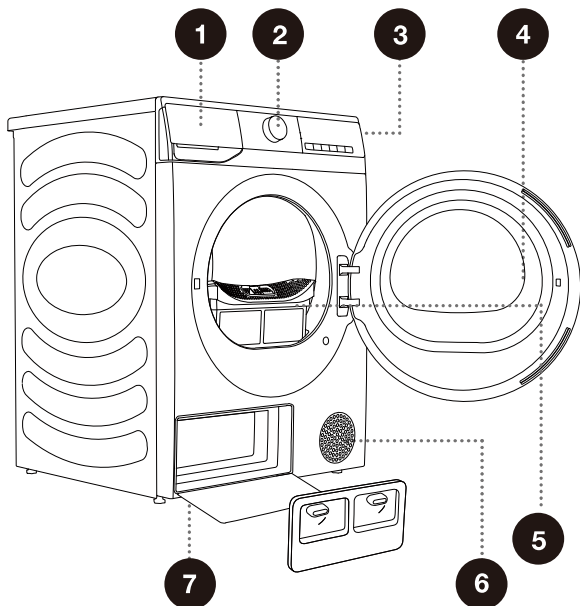
## **SERVICE**

- In case of incorrect dryer connection, incorrect use, or servicing by an unauthorized person, the user shall bear the cost of any damage as such damage shall not be covered by warranty.
- The warranty does not cover consumables, minor deviations in colour, increased noise that results from appliance age and which does not affect the functionality of the dryer, and aesthetic defects on components, which do not affect the dryer's functionality and safety.

# DESCRIPTION OF THE DRYER

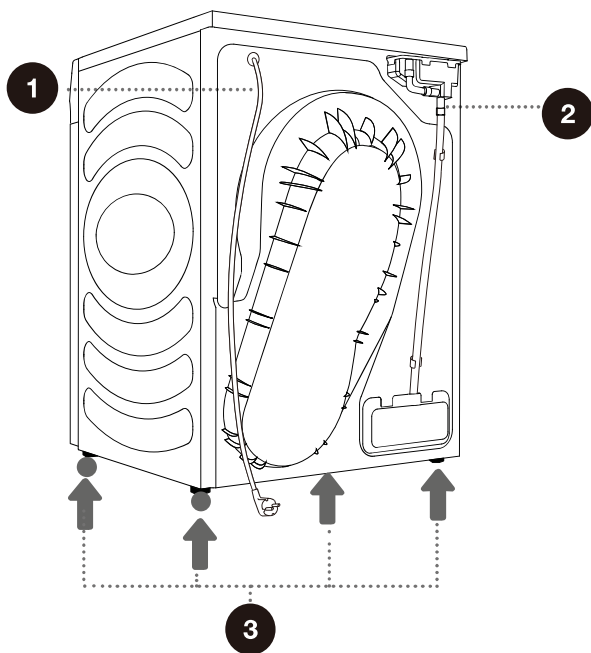
## FRONT

- 1 Condensate tank
- 2 Programme selector knob
- 3 Control unit
- 4 Door
- 5 Net filter
- 6 Air vent
- 7 Heat pump



## BACK

- 1 Power cord
- 2 Condensate discharge hose
- 3 Adjustable feet



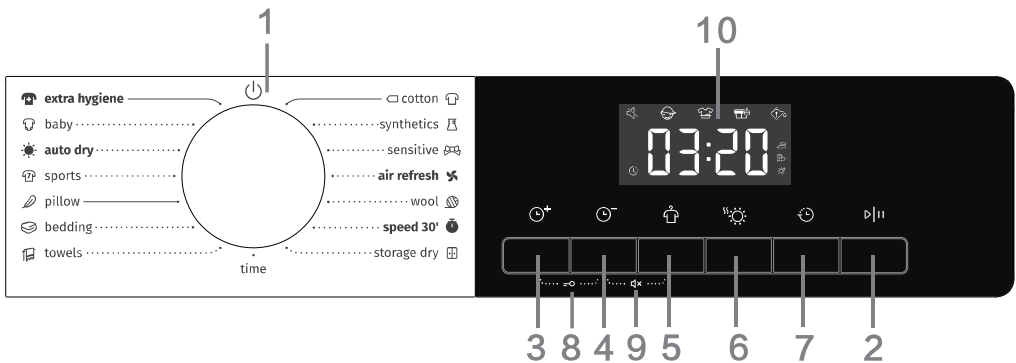
# TECHNICAL INFORMATION

## (DEPENDING ON THE MODEL)

Rating plate with basic information about the dryer is fitted on the front wall of the dryer door opening (see chapter »DESCRIPTION OF THE DRYER«).

<b>Width</b>	595 mm
<b>Height</b>	845 mm
<b>Dryer depth (a)</b>	640 mm
<b>Depth with door closed</b>	670 mm
<b>Depth with door open (b)</b>	1150 mm
<b>Weight</b>	54kg
<b>Rated voltage</b>	See rating plate
<b>Nominal power</b>	See rating plate
<b>Amount of refrigerant</b>	See rating plate
<b>Refrigerant type</b>	R290
<b>Maximum load</b>	See rating plate

# CONTROL UNIT



## (1). Knob

- It is used to turn the power on/off. In case of shut down during operation, rotate the knob to "OFF".
- The dry will automatically shut down after the program ends. If there is no operation within 2 minutes in the standby mode, the dryer will shut down automatically.
- It is used for program selection. Please refer to [Program guide] for program introduction.

## (2). Start Pause ▷||

- Press the "Start Pause" key to pause or start the program.
- When the program is suspended, the set functions cannot be changed. If the program or function needs to be changed during operation, or the power is off during operation and the power needs to be powered on again, turn the knob to "Off", then turn the knob again to select the required program and function, and finally start it.

## (3). More Time ⏴<sup>+</sup>

- Before the program starts, this function can add drying time of the program. Press continuously to cycle through the set tap positions. Different programs have different tap position settings.





## (4). Less Time ⏴<sup>-</sup>

- Before the program starts, this function can reduce drying time of the program. Press continuously to cycle through the set tap positions. Different programs have different tap position settings.

## (5). Anti crease 🔄

- If the clothes cannot be taken out in time after drying, select the anti crease program. At this time, the inner drum rotates intermittently to prevent clothes from creasing.
- Touch any key or open the door to exit the anti crease mode. If there is no operation, the longest execution will end automatically after 12 h by default.

## (6). Dry level ☀️

- For selection of drying effect. The default option is [  ], and press the dry level key to select.
  - [  ] means the clothes can be stored after drying.
  - [  ] means the clothes has a small amount of water and can be ironed.
  - [  ] means the clothes can be worn immediately after drying.

## (7). Delay End ⌚

This function can delay the end time of the program.

- Make an appointment after selecting programs and functions. Press the appointment button to add or reduce the appointment time. The time changes by 1 hour for each press, and the maximum optional time is 24 hours.
- The appointment time is the end time of the program, including the running time of the whole program, so the appointment time must be longer than the running time of the program.
- During the appointment process, the appointment icon is lit up. After the appointment process ends, the appointment text goes out.
- Before the program starts, the selected appointment can be canceled by selecting other programs or function keys.
- After the program is started, in case of canceling the appointment, shut down and restart the dryer.

## (8). Child Lock 🔒

In order to avoid children's misoperation and protect children's safety, this fryer is equipped with child lock.

- After the program is started, press and hold "More Time+Less Time" simultaneously, the child lock will be enabled and the child lock icon will be lit up. The child lock can be released by the same operation.
- After the child lock function is set, other function keys are locked. In case of program ends or restart after power-off, the child lock function set remains.
- After the child lock function is enabled: Press the "Start Pause" key to cancel the prompt in case of prompt for lint and debris cleaning. During running in anti crease mode, the child lock needs to be released manually, and the anti crease function ends automatically.





## (9). Mute 🔇

- It is used to turn on/off the beep, except the alarm tone.
- After standby or startup, press and hold "Less Time+Anti Crease" key to turn on/off the mute function.
- The mute function will not be released automatically in case of end of program or power-off.

## (10). Display

- It is used to display the remaining time, appointment time, fault code and other information of the program.
- The time displayed by the program may be different from the actual running time. Due to the influence of type of clothes, load of clothes, water content after dehydration, and ambient temperature, the actual drying time will be automatically adjusted.
- When the program ends, "End" will be displayed.

### Icon description

	Appointment icon. When the icon is lit up, it indicates that the appointment function is enabled.
	Anti crease icon. When the icon is lit up, it indicates that the anti crease function is enabled.
	Lint and debris cleaning icon. The flashing icon indicates that the lint and debris needs to be cleaned.
	Water box cleaning icon. The flashing icon indicates that the water box needs to be emptied.

## (11). Other functions

### Drum light

- This dryer is equipped with a drum light. In the states of standby, operation (rotate the knob, press any key or open the door), pause, and program ends, the drum light will automatically illuminate for 1 minute and then turn off automatically, so that the drum interior can be seen.

### Stop when the clothes are dry


- This dryer stops when the clothes are dry. When the load of clothes is small, it is likely that the program is not completed but the clothes have been dried, at this time, the program will end automatically to save energy.

## 2). Program guide

### NOTE

- Users can choose the appropriate program according to their habits. If the clothes are not completely dried, additional drying of timer program can be selected.
- When drying large fabrics such as bed sheets and quilt covers, due to large load, they may be wrapped into clusters, affecting the drying effect. Please take them out and shake them up before putting them into the dryer to continue drying.
- When drying down clothes, please turn out the inner side of the clothes before drying.

## Sensor dry programs

Programs	Type of clothes	Maximum capacity (kg)
		DHNA92 / DHNA93
 cotton	Use this programme for thicker non-sensitive cotton laundry of approximately the same thickness. After drying, it will be dry.	9
synthetics	The programme is used for drying delicate laundry made of synthetics fibres.	4.5
sensitive	Use this programme to dry highly delicate laundry made of synthetic fibres, which may be slightly moist after the drying process. We recommend using a special-purpose laundry bag.	1
towels	Use this programme for drying non-sensitive items (towels, kitchen cloths...). After drying, the items will be dry and ready to be stored in the cupboard.	4
bedding	Use the programme for larger items. When the programme is complete, they will be dry. Adjusted drum rotation prevents the laundry from tangling.	2.5
pillow	Use this programme to dry textiles stuffed or padded with down (pillows, duvets, jackets etc.). Dry large items separately and use the Extra Dry function or the Time Programme if necessary.	2
sports	Use this programme for clothing with a membrane, for sportswear made of mixed materials, and breathable fabrics.	2
auto dry	Use this program for thicker non-sensitive cotton laundry of approximately the same thickness. After drying, it will be dry or slightly moist.	4.5
baby	Use this programme to dry baby clothes. Clothes dried with this programme are usually normally dry.	2
extra hygiene	For removing allergens such as mites.	2
speed 30'	For quick drying of light and thin clothes.	0.5

\* EN 61121 test program setting.

\* These programs have reversing function specially for big load

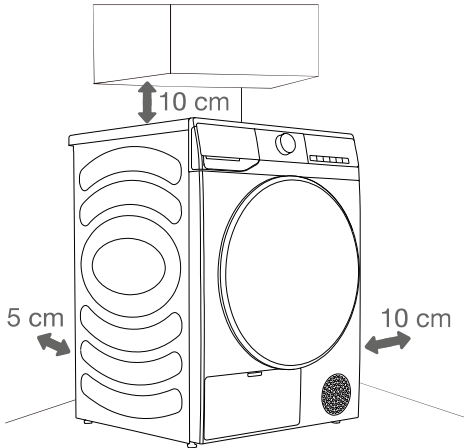
## Manual and special dry programs

Programs	Type of clothes	Maximum capacity (kg)
		DHNA92 / DHNA93
air refresh	In this programme, the heater is switched off. The programme is suitable for refreshing your laundry.	/
wool	This short program is intended for softening or fluffing of clothes made of wool and silk, which have to be dried thoroughly according to manufacturer's instructions.	1
storage dry	When using this program, you can place the load to be dried (e.g., small stuffed animals, sneakers, etc.) on the drying rack for drying.	/
time	Use this programme for non-sensitive laundry that is still slightly moist and has to be thoroughly dried. In the time programme, remaining moisture is not detected automatically. If the laundry is still damp after the programme is complete, repeat the programme; if it is too dry and therefore creased and rough to touch, the drying time you selected was too long.	/

# INSTALLATION AND CONNECTION

⚠ Remove all packaging. When removing the packaging, make sure not to damage the dryer with a sharp object.

## SELECTING THE ROOM



⚠ The dryer may not be in contact with a wall or adjacent furniture. For optimum dryer operation, we recommend observing the clearance from the walls as indicated in the figure. In case of failure to heed the required minimum clearance, the dryer may overheat.

⚠ Vents on the back wall and the air exhaust opening on the front side of the dryer should never be obstructed.

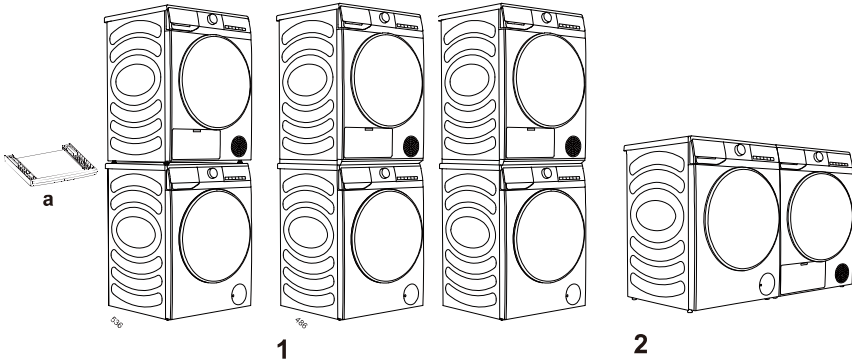
The room in which you will install the dryer should be sufficiently ventilated, with a temperature between 10°C and 25°C. Dryer operation at a lower environment temperature may result in condensate accumulation in the dryer interior. Do not place the dryer into a place where there is danger of freezing. Frozen water in the condensate tank and pump may damage the dryer.

The dryer emits heat. Therefore, do not place it in a very small room, as the drying process may take longer due to limited amount of available air.

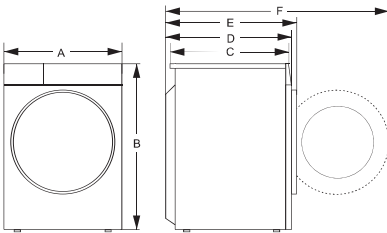
Lighting in the room should be sufficient to allow reading the information on the display unit on the control panel.

# DRYER PLACEMENT

If you also have a dryer, it can be placed on top of the washing machine with 486mm or 536mm side plate of the box (figure 1); in this case stacking bracket (figure a) must be used. Alternatively, the dryer can be placed next to the washing machine (figure 2). You can contact aftersales for purchase figure a, and install it according to user manual.



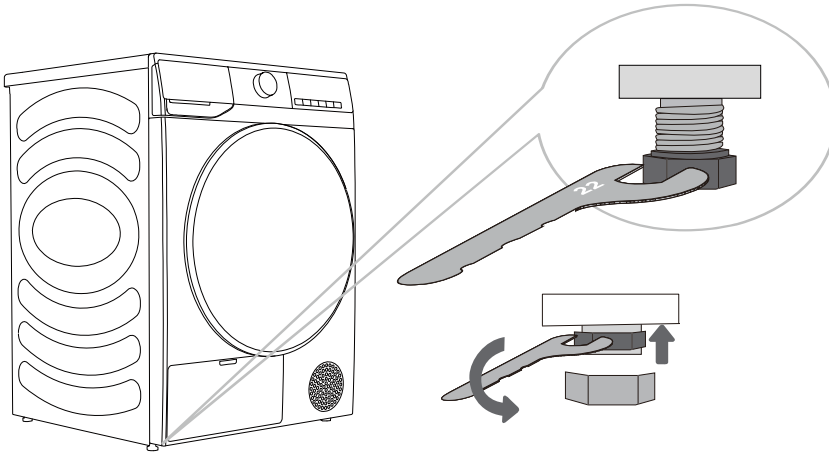
## Dimensions(mm)



Index	Dimension(mm)
A	595
B	845
C	610
D	640
E	670
F	1150

# ADJUSTING THE DRYER FEET


Level the dryer in longitudinal and traverse direction by rotating the adjustable feet which allow levelling by +/- 1 cm. Use a spirit level and spanner No. 22.



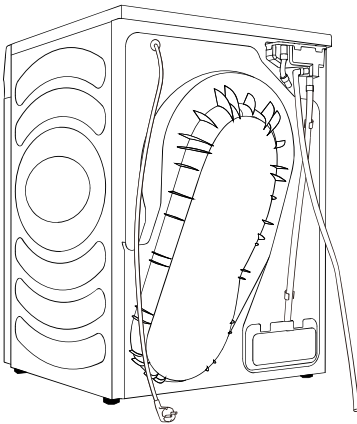
- ⚠ Floor on which the dryer is placed must have a concrete base. It should be clean and dry; otherwise, the dryer may slide. Also clean the adjustable feet.
- ⚠ The dryer must stand level and stable on a solid base.
- ⚠ Incorrect levelling of the dryer with the adjustable legs may cause vibration, appliance sliding across the room, and loud operation. Incorrect levelling of the dryer shall not be subject to warranty.
- ⚠ Sometimes, unusual or louder noise may appear during appliance operation; these are mostly the result of improper installation.

# DRAINING THE CONDENSATE

The moisture from the laundry is extracted in the condenser unit and accumulated in the condensate tank.


During the drying process, an indicator light (symbol  is lit on the display unit) warns when the condensate tank is full and needs to be emptied.


To avoid emptying the condensate tank, run the condensate discharge hose located at the back of the appliance directly into a drain.



.....  
**1** Remove discharge hose from the machine and hang it on the back.

.....  
**2** Attach the hose in the attachment to the plastic opening on the discharge hose.

 If you decide to run the condensate drain hose into a drain, make sure the hose is securely fastened. This will prevent any water spillage which could result in unexpected damage.

 Always use the hoses supplied with the dryer.

## MOVING AND TRANSPORT AFTER INSTALLATION

After every drying cycle, a small amount of condensed water will remain in the dryer. Switch on the dryer and choose one of the programmes, then let the appliance operate for approximately half a minute. This will pump out the remaining water and prevent damage to the dryer during transport. If the dryer cannot be transported in the upright position, tilt it to the left side.

**⚠ After transport, the dryer should be left to stand still for at least two hours before it is connected to the power mains. The appliance should be installed and connected by a trained technician.**

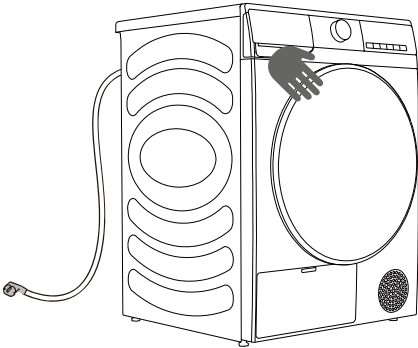
⚠ If the appliance was not transported in compliance with the instructions, the dryer should be left to stand still at least 24 hours before it is reconnected to the power mains. Failure to do so may result in a heat pump failure which shall not be covered by the warranty. Be careful not to damage the cooling system (see chapter »INSTALLATION AND CONNECTION/ Dryer placement«).

**⚠ Carefully read the instructions for use before connecting the dryer. Repair or any warranty claim resulting from incorrect connection or use of the dryer shall not be covered by the warranty.**

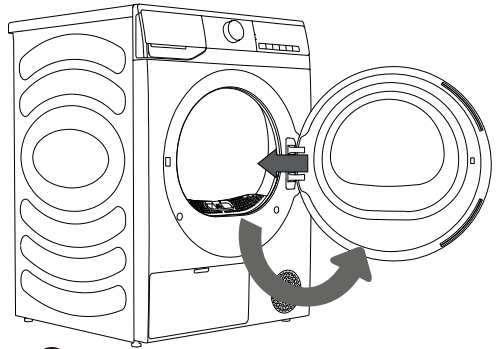
# BEFORE USING THE APPLIANCE FOR THE FIRST TIME

Make sure the dryer is disconnected from the power mains; then, open the door by pulling the left side of the door towards you (figures 1 and 2).

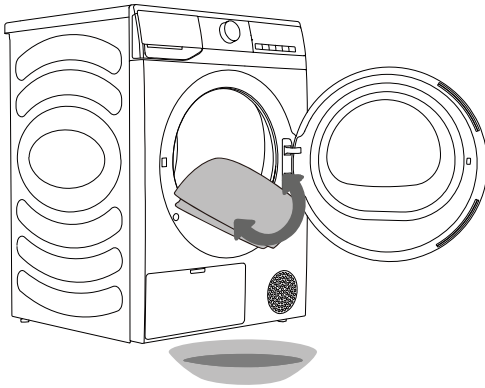
Before using the dryer for the first time, clean the dryer drum using a soft damp cotton cloth and water (figure 3).




1



2





























3

 Do not use any solvents or cleaning agents that could damage the dryer (please observe the recommendations and warnings provided by the manufacturers of the cleaning agents).

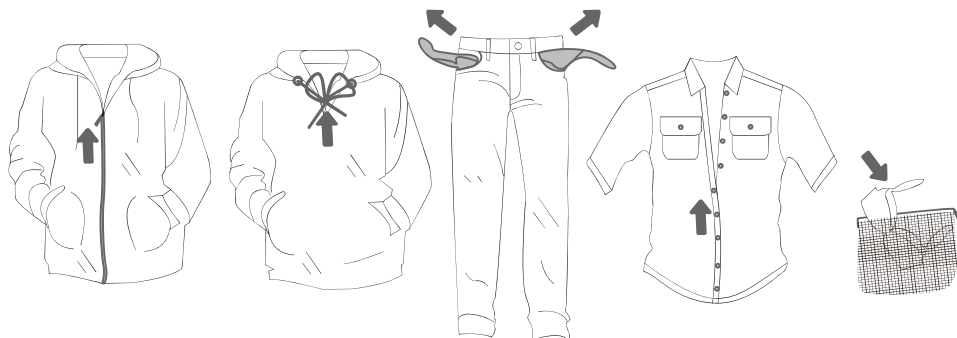
# DRYING PROCESS, STEP BY STEP (1 - 4)

## STEP 1: HEED THE LABELS ON THE LAUNDRY

<b>Normal wash; Sensitive laundry</b>	Max. washing temp. 95°C  	Max. washing temp. 60°C  	Max. washing temp. 40°C  	Max. washing temp. 30°C  	Hand wash only 	Do not wash 
<b>Bleaching</b>	Bleaching in cool water 			Bleaching not allowed 		
<b>Dry cleaning</b>	Dry cleaning with all agents 	Petroleum solvent R11, R113 	Dry cleaning in kerosene, pure alcohol, and R113 	Dry cleaning not allowed 		
<b>Ironing</b>	Hot ironing, max. 200°C 	Hot ironing, max. 150°C 	Hot ironing, max. 110°C 	Ironing not allowed 		
<b>Drying</b>	Dry flat (place on a flat surface) 	Drip dry  Line dry 	High temperature  Low temperature 	Do not tumble dry 		

## STEP 2: PREPARING FOR THE LAUNDRY DRYING PROCESS

1. Sort the laundry by type and thickness of the fabric (see PROGRAMME TABLE).
2. Close the buttons and zips, tie any ribbons, and turn the pockets inside out.
3. Place very sensitive clothes in a special-purpose laundry bag.  
(The special-purpose laundry bag is available as an optional accessory.)



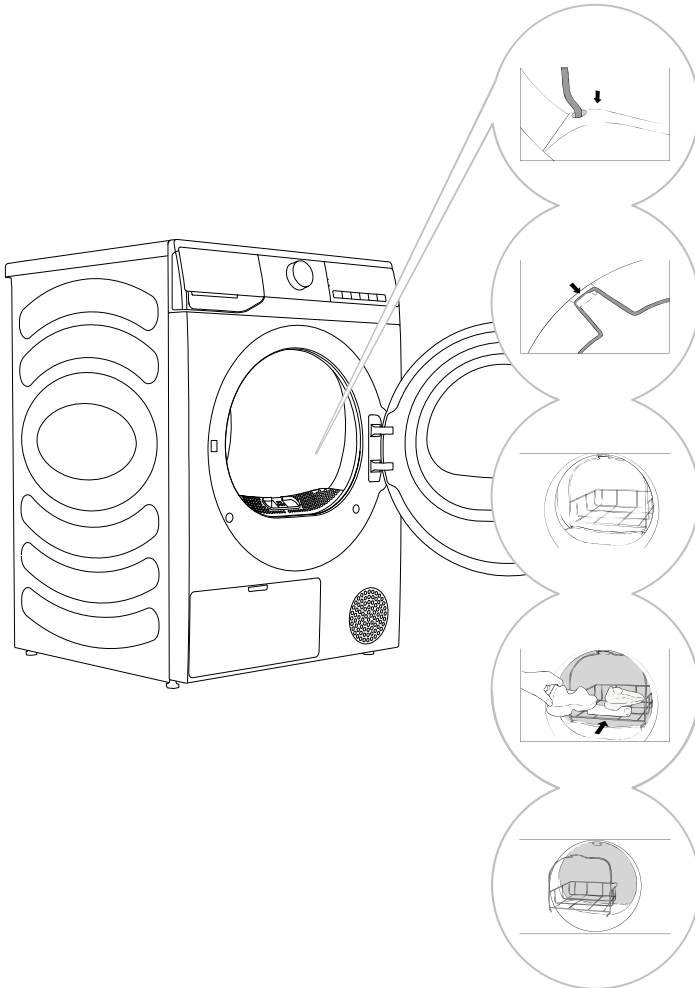
**Drying laundry made of particularly delicate fabrics that may be deformed is not recommended. The following types of laundry may not be dried in the dryer as this may cause your garments to deform:**

- leather garments and other leather products;
- garments that are waxed or treated in any other way;
- garments with major wooden, plastic, or metal parts;
- garments with spangles;
- garments with metal parts subject to rusting.

## DRYING IN A BASKET (DEPENDING ON THE MODEL)

⚠ Before the first drying cycle, remove the basket and all packaging from the drum.

Laundry may only be dried in the basket when using the timed drying programme. (The basket is available for purchase as an optional accessory at the service centre.)



**1** Open the dryer door and insert the drying basket.

**2** Insert the drying basket by securing it to the net filter and front support (as shown in the figure).

**3** The basket can be used for drying of sports shoes, slippers, or any other item you do not wish tumbled around the dryer drum during the drying process (max. load: 2.5 kg).

**4** After the drying process, remove the drying basket and close the dryer door.

Only dry clean sports shoes or slippers that have been wrung just enough to prevent water from dripping from them.

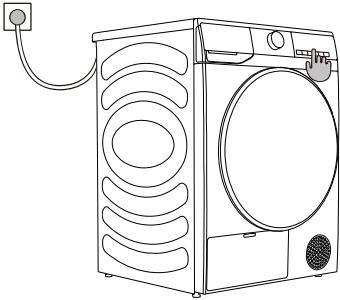
As the drum rotates, the laundry basket will be still. Therefore, make sure the items you are drying in the basket are not in contact with the drum, as this could result in damage to the item and the dryer.

# SWITCHING ON THE DRYER

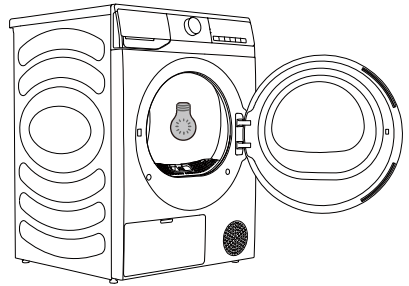
Connect the dryer to the power mains by plugging in the power cord.  
Press the (1) **ON/OFF** button to switch on the dryer (figure 1).

With some models, the dryer drum is lit as well (figure 2).  
(The light in the dryer drum is not suitable for any other use.)

⚠ The light in the dryer drum may only be replaced by the manufacturer, a service technician or an authorized person.



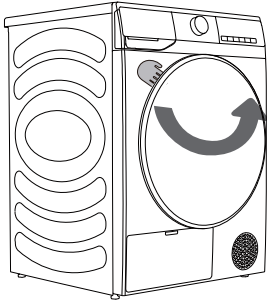
**1**



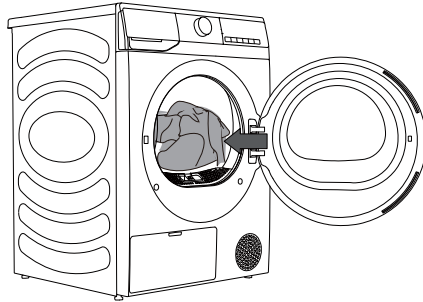
**2**

# LOADING THE DRYER

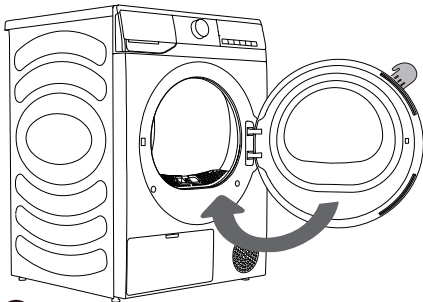
Open the dryer door by pulling the left side of the door towards you (figure 1).  
Insert the laundry into the drum (after making sure the drum is empty) (figure 2).  
Close the dryer door (figure 3).



**1**



**2**



**3**

⚠ Do not insert laundry into the dryer if it has not been wrung or spun (recommended minimum spinning cycle: 800 rpm).

Do not overload the drum! See PROGRAMME TABLE and observe your nominal load as indicated on the rating plate.

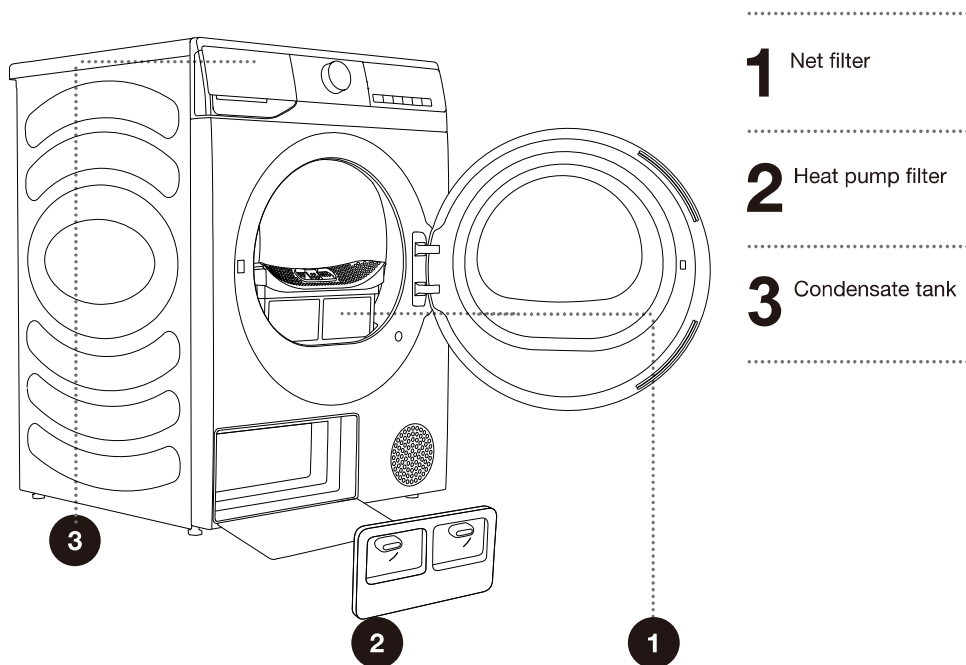
If the dryer drum is overloaded, the laundry will be more wrinkled and perhaps unevenly dried.

⚠ When drying larger items (bedding, towels etc.), loosen them and then insert them into the dryer drum.

# MAINTENANCE & CLEANING

**⚠ Before cleaning, make sure to switch off the dryer and disconnect it from the power mains (unplug the power cord from the outlet).**

The dryer is fitted with a **filtering system** consisting of several filters that prevent any impurities from entering the heat exchanger system.

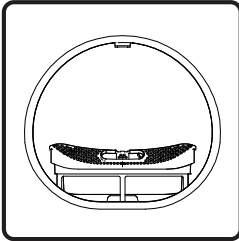


**⚠** The dryer may never be operated without the filters in place or with damaged filters, as excessive amount of accumulated fibres from the fabric could cause malfunction or failure of the dryer.

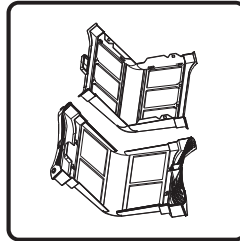
# CLEANING THE NET FILTER IN THE DOOR

🔧 Clean the net filter after each drying cycle.

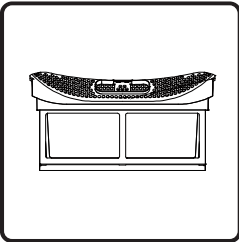
- ◇ Excessive fluff accumulated on the filter screen will affect the drying effect. Please clean the filter screen after each use.
- ◇ After cleaning, be sure to reinstall the filter screen in place before use.



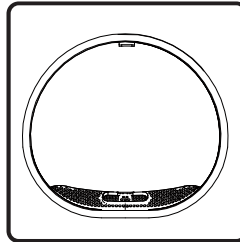
1. Open the door and take out the filter screen from the front support.



2. Open the filter screen and clean the fluff of the two-layer filter screen with a wet towel or flowing water.



3. After drying the filter screen, reassemble it.

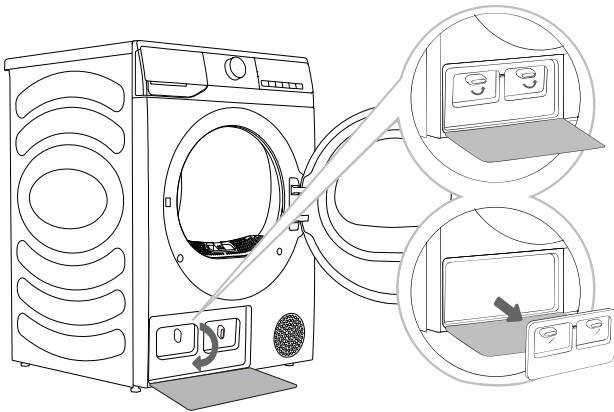


4. Install the filter screen to the front support.

🔧 Make sure you do not pinch your fingers with the filter cover.

# CLEANING THE HEAT PUMP FILTER

⚠ During cleaning, some water may be spilled. It is therefore recommended to place an absorbent cloth on the floor.



- 1** Press the buckle of the heat exchanger door cover at the lower left to open the door cover.
- 2** Turn the locking knob of the base filter cover to unlock position.
- 3** Remove the base filter cover and take out the base filter. After several times of use, clean the dust on the base filter with a wet cloth or flowing water. After using for a period of time, if there is dust on the heat exchanger, please remove the dust with tools. Do not touch the heat exchanger directly with your hands to avoid injury.
- 4** Install the cleaned filter and filter cover back to the original positions, lock the knob and close the heat exchanger door cover.

⚠ Insert the heat pump foam filter into the housing and close the outer cover (push it upwards toward the machine until it latches into place).

⚠ The heat pump filter has to be correctly inserted into its slot. Otherwise, the heat exchanger installed inside the dryer may be clogged or damaged.

⚠ Clean the foam filter at least after every five drying cycles.

## CLEANING OF THE HEAT EXCHANGER

⚠ Do not touch the inner metal parts of the heat exchanger with bare hands. Danger of injury on sharp parts. Use appropriate protection gloves when cleaning the heat exchanger.

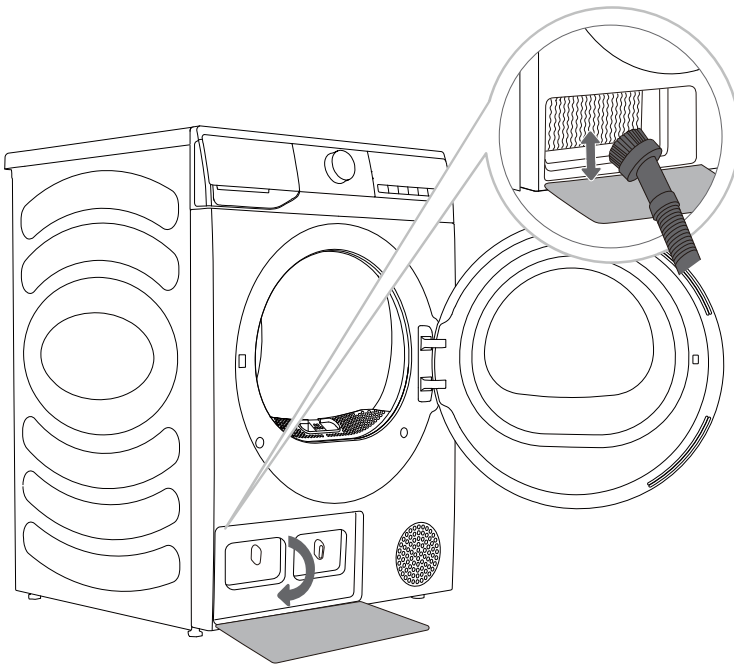
⚠ Incorrect cleaning of the metal fins of the heat exchanger can permanently damage the tumble dryer. Do not press on the metal fins with hard objects like for example the plastic tube of a vacuum cleaner.

The dust and dirt in the metal fins of the heat exchanger can be cleaned with tools vacuum cleaner , soft brush etc..

Access to the heat exchanger is possible, when the heat pump filter is removed as is described in the chapter »Cleaning the heat pump filter«.

Without pressing, gently move the brush attachment only in the direction of the metal fins from top to bottom. Too much pressure can damage or bend the metal fins of the heat exchanger.

☺ We recommend you clean the heat exchanger at least every twenty times.

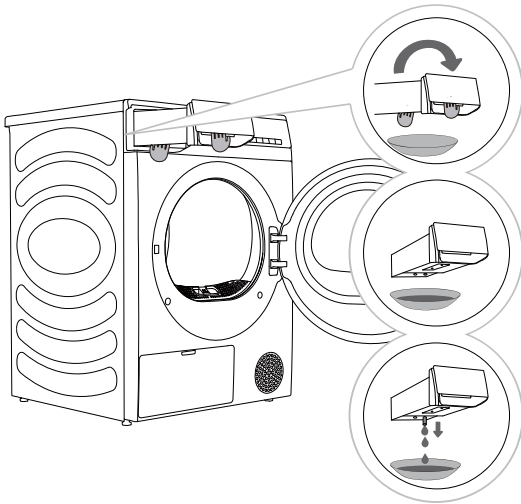


# EMPTYING THE CONDENSATE TANK

☼ Empty the condensate tank after each drying cycle.

If the condensate tank is full, the drying programme will be paused automatically.

Symbol ☼ will light up on the display unit, indicating that the condensate tank should be emptied.



## 1. Remove the condensate tank from the dryer.

- Pull the water tank handle with one hand until the tank is halfway out.
- Once the water tank is halfway out, support the bottom of the tank with the other hand and pull it slowly with both hands.

## ⚠ CAUTION

- The water tank is heavy. Slowly remove the water tank using both hands while keeping the tank at a level.
  - Be careful when removing the full water tank. It is very heavy and can cause injury if you drop it.
- ## 2. Empty the water through the drain hole , and then clean inside the water tank.
- Mix some neutral detergent in lukewarm water. Fill the water tank with the mixture through the drain hole and leave it for 30 minutes. Then, rinse the tank with clean water and completely dry it.
- ## 3. Place the condensate tank back into place.

☼ Water from the condensate tank is not potable. If thoroughly filtered, it can be used for ironing.

⚠ Never add chemicals or fragrances into the condensate tank.

The water tank is heavy. Slowly remove the water tank using both hands while keeping the tank at a level.

Be careful when removing the full water tank. It is very heavy and can cause injury if you drop it.

NOT: If the dryer displays the “☼” information code and stops while drying is in progress, empty the water tank and press ▶|| Start/Pause. The “☼” information code will disappear, and the dryer will resume drying.

It is not necessary to empty the condensate tank if the drain hose is connected directly to a drain (see chapter »INSTALLATION AND CONNECTION/Draining the condensate«).

# CLEANING THE DRYER

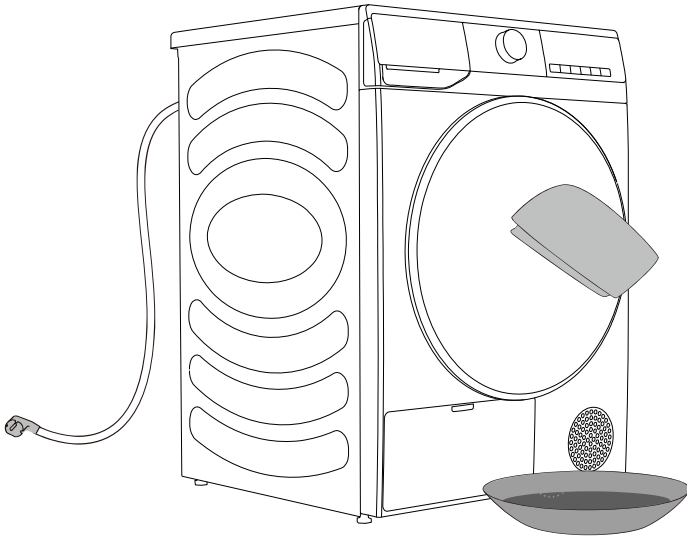
**⚠ Always disconnect the dryer from the power mains before cleaning.**

Clean the dryer exterior using a soft damp cotton cloth.

**⚠ Do not use any solvents or cleaning agents that could damage the dryer (please observe the recommendations and warnings provided by the manufacturers of the cleaning agents).**

Wipe all parts of the dryer with a soft cloth until dry.

**⚡ Do not clean the dryer with a jet of water!**



# TROUBLESHOOTING

## WHAT TO DO ...?

Disturbances from the environment (e.g. the power grid) may result in various error reports (see TROUBLESHOOTING TABLE). In such case:

- Switch off the dryer and wait at least one minute.
- Switch on the dryer and repeat the drying programme.
- Most errors during operation can be resolved by the user (see TROUBLESHOOTING TABLE).
- If the error persists, call an authorized service unit.
- Repairs may only be carried out by an adequately trained person.
- Repair or any warranty claim resulting from incorrect connection or use of the dryer shall not be covered by the warranty. In such cases, the costs of repair shall be charged to the user.

⚡ The warranty does not cover the errors or failures resulting from disturbances from the environment (lightning strike, power grid failures, natural disasters etc.).

# TROUBLESHOOTING AND ERROR TABLE

Fault phenomenon	Recommended handling method
<b>The dryer cannot be started</b>	<ul style="list-style-type: none"> <li>◇ Check the power connection;</li> <li>◇ Confirm the "Start Pause" key is pressed down;</li> <li>◇ Confirm the door is closed properly;</li> <li>◇ House fuse is blown, circuit breaker has tripped, or power outage has occurred.</li> </ul>
<b>The dryer cannot be started and displays "End"</b>	<ul style="list-style-type: none"> <li>◇ Check whether the program setting is correct;</li> <li>◇ Confirm there are clothes in the drum;</li> </ul>
<b>Excessive drying time</b>	<ul style="list-style-type: none"> <li>◇ Check whether the program setting is correct;</li> <li>◇ Confirm whether there are too many clothes wrapping into clusters;</li> <li>◇ Check whether the filter screen is cleaned;</li> <li>◇ There will be air supply for cooling after drying in some programs;</li> </ul>
<b>Poor drying effect</b>	<ul style="list-style-type: none"> <li>◇ Confirm that the clothes have been dehydrated;</li> <li>◇ Check whether the program setting is correct;</li> <li>◇ Confirm that there are too many clothes;</li> <li>◇ Load is not properly sorted. Whether clothes that are not easy to dry are mixed with clothes that are easy to dry;</li> <li>◇ Large load of heavy fabrics.</li> <li>◇ Check whether the filter screen is cleaned;</li> </ul>
<b>The remaining time of the display stops or jumps</b>	<ul style="list-style-type: none"> <li>◇ The remaining time varies with clothing type, load, dehydration and ambient temperature, which is a normal phenomenon;</li> </ul>
<b>Clothes are wrinkled.</b>	<ul style="list-style-type: none"> <li>◇ Clothes have dried too long. Try a shorter drying time.</li> <li>◇ Clothes have been left in the appliance for too long after cycle ends.</li> </ul>

Fault phenomenon	Recommended handling method
<b>The dryer is too loud.</b>	<ul style="list-style-type: none"> <li>◇ Look for coins, loose buttons, nails, and other objects and remove them immediately.</li> <li>◇ Check the lint filter. Remove any items stuck inside the lint filter.</li> <li>◇ Make sure the dryer is level and standing firmly on the floor.</li> <li>◇ The dryer may hum due to air moving through the drum and fan. This is normal.</li> </ul>
<b>Clothes are shrinking.</b>	<ul style="list-style-type: none"> <li>◇ Garment care instructions are not being followed. Use a low or no heat setting.</li> </ul>
<b>Lint is left on clothes.</b>	<ul style="list-style-type: none"> <li>◇ Lint filter has not been cleaned properly.</li> <li>◇ Clothes have not been sorted properly.</li> <li>◇ Some fabrics cause more lint and should be dried separately from fabrics that lint attaches easily.</li> <li>◇ Tissue, paper, etc., has been left in pockets.</li> </ul>
<b>The appliance has an odour.</b>	<ul style="list-style-type: none"> <li>◇ The smell is caused by rubber material that is attached to the appliance inside. This kind of smell is a rubber's own smell and disappears automatically after using the appliance several times.</li> <li>◇ When washing the clothes, use the detergent in accordance with the manufacturers recommendations. If you use the detergent excessively not according to the recommendations, undissolved detergent may accumulate on the clothes and cause an odour.</li> <li>◇ You can smell odours from the clothes if the clothes were left in the appliance after drying or in the washing machine after washing. Unload the clothes promptly at the end of the drying or washing cycle.</li> <li>◇ Ensure you can smell same odour in the washing machine. If so, clean the tub of the washing machine referring to the washing machine user manual.</li> <li>◇ Always take care of both lint filters clean. If any residues were left in the lint filter after drying, it may cause odours. And also dry the lint filter completely after cleaning.</li> </ul>
<b>The machine is powered on and started directly after power failure, but does not work</b>	<ul style="list-style-type: none"> <li>◇ When the program is suspended, the set functions cannot be changed. If the program or function needs to be changed during operation, or the power is off during operation and the power needs to be powered on again, select the required program and function, and finally start it.</li> </ul>

Code	Interpretation	Recommended handling method
<b>F50/F51</b>	Abnormal sensor	◇ Please contact after-sales service.
<b>F22</b>	Abnormal display the motor control board and the power board	<ul style="list-style-type: none"> <li>◇ Press the POWER for 3 seconds, and press the "start/pause" button again.</li> <li>◇ If the abnormality is not removed, please contact after-sales service.</li> </ul>
<b>F21</b>	Abnormal display panel and the power board	<ul style="list-style-type: none"> <li>◇ Press the POWER for 3 seconds, and press the "start/pause" button again.</li> <li>◇ If the abnormality is not removed, please contact after-sales service.</li> </ul>

# SERVICING

## Before calling a service technician

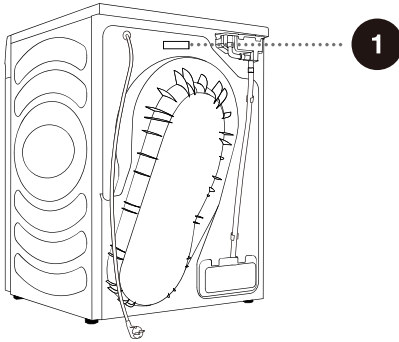
When you contact a service centre, please state your washing machine's type (1).

When you contact a service centre, please state your dryer type(1)

Type ,code/ID, model,and serial number are indicated on the back of the dryer.

⚠ In case of a failure, only use approved spare parts by authorized manufacturers.

⚠ Repair or any warranty claim resulting from incorrect connection or use of the dryer shall not be covered by the warranty. In such cases, the costs of repair shall be charged to the user.



Trade Mark	gorenje	
Model	DHNA92	DHNA93
Rated capacity (kg)	9	9
Air-vented or condenser tumble drier	condenser	condenser
Energy efficiency class	A++	A+++
Weighted Annual Energy Consumption (kWh) <sup>(1)</sup>	245.0	194.0
Automatic tumble drier or nonautomatic tumble drier Automatic	Automatic tumble dryer	Automatic tumble
Energy consumption of the standard cotton programme at full load (kWh)	1.96	1.59
Energy consumption of the standard cotton programme at partial load (kWh)	1.15	0.88
Power consumption of the off-mode (W)	0.49	0.49
Power consumption in left-on mode (W)	0.57	0.57
Duration of the left-on mode (min) <sup>(2)</sup>	5	5
Standard drying programme <sup>(3)</sup>	◁ cotton	◁ cotton
Weighted programme time of the 'standard cotton programme at full and partial load' (min)	158	158
Programme time of the 'standard cotton programme at full load' (min)	209	205
Programme time of the 'standard cotton programme at partial load' (min)	120	122
Condensation efficiency class on a scale from G (least efficient) to A (most efficient)	B	B
Average condensation efficiency of the standard cotton programme at full load as a percentage	81	82
Average condensation efficiency of the standard cotton programme at partial load as a percentage	81	82
Weighted condensation efficiency for the 'standard cotton programme at full and partial load as a percentage.	81	82
Sound power level (dB) <sup>(4)</sup>	64	64
Built-in	NO	NO

- (1) Based on 160 drying cycles of the standard cotton programme at full and partial load, and the consumption of the low-power modes. Actual energy consumption per cycle will depend on how the appliance is used.
- (2) If the household tumble drier is equipped with a power management system.
- (3) The 'standard cotton programme' used at full and partial load is the standard drying programme to which the information in the label and the fiche relates, this programme is suitable for drying normal wet cotton laundry and it is the most efficient programme in terms of energy consumption for cotton.
- (4) For the standard cotton programme at full load.

# Typical consumption table

The table lists the values for drying time and power consumption for drying of a test batch of laundry with various spinning rpm in the washing machine.

Program	Load	Spinning [rpm]	Electric energy consumption [kWh]		Drying time [min]	
			9kg			
◀ cotton	total	1000	2.09	1.55	206	200
	partial	1000	1.14	0.86	125	118
	low	1000	1.08	0.75	120	108
	low	1200	1.01	0.68	112	103
cotton moist for ironing	total	1000	1.45	1.41	150	181
	partial	1000	0.95	0.81	111	112
	low	1000	0.82	0.61	98	97
synthetics	partial	1000	0.48	0.42	55	48

Test programme in accordance with Regulation 392/2012/EU for energy labelling, measured in accordance with EN61121.

Program	Amount of laundry Max./half load [kg]	Programme duration [min]	Electric energy consumption [kWh]
			A++
◀ cotton	9/4.5	209/120	1.96/1.15

Program	Amount of laundry Max./half load [kg]	Programme duration [min]	Electric energy consumption [kWh]
			A+++
◀ cotton	9/4.5	205/122	1.59/0.88

The Cotton programme ◀, is intended for drying of normally wet cotton laundry. It is the most efficient programme for drying cotton laundry in terms of power consumption.

Due to deviations in terms of type and amount of laundry, power supply oscillation, and environment temperature and humidity, the values measured at the end user may differ from the one stated in the table.

# TIPS FOR DRYING AND ECONOMIC USE YOUR DRYER

The most economical way of drying is to dry the recommended amount of laundry in each batch (see PROGRAMME TABLE).

Drying laundry made of particularly delicate fabrics that may be deformed is not recommended.

Use of conditioner in the washing cycle is not necessary as the laundry is soft and smooth after drying in the dryer. Drying time will be shorter and power consumption will be lower if the garments are thoroughly wrung or spun before drying. By selecting the appropriate drying programme, you will avoid over-drying your laundry and problems with ironing or shrinkage of fabric.

Regular cleaning of the filters will lead to optimum drying time and minimum power consumption.

When drying smaller amounts of laundry or individual garments, the sensor may not perceive the actual level of moisture in the laundry. In such cases, it is recommended to dry smaller items or amounts with programmes for dryer laundry or with the timed programme.



# DISPOSAL

**Packaging** is made of environmentally friendly materials that can be recycled, disposed of, or destroyed without any hazard to the environment. To this end, packaging materials are labelled appropriately.



**The symbol** on the product or its packaging indicates that the product should not be treated as normal household waste. Take the product to an authorized collection centre for waste electric and electronic equipment processing.

When **disposing** of the dryer at the end of its useful life, remove all power cords, and destroy the door latch and switch to prevent the door from locking or latching (child safety).

Correct **disposal** of the product will help prevent any negative effects on the environment and health of people, which could occur in case of incorrect product removal. For detailed information on removal and processing of the product, please contact the relevant municipal body in charge of waste management, your waste disposal service, or the store where you bought the product.





