



9' LED Aluminum Crank & Tilt Market Umbrella

Assembly & Care Instructions

SKU #: 272-3016

Model #: UMB-933040-S

IMPORTANT, RETAIN FOR FUTURE REFERENCE:
READ CAREFULLY



The schematics in this manual are for assembly and operation illustration only.
They may differ from the actual appearance.

For assistance with use, parts, or customer service, please contact:

ATLeisure, LLC

Customer Service is available by email at customerservice@atleisure.com or
chat at <https://help.atleisure.com> 8 AM – 5 PM EST, Monday – Friday.

DO NOT RETURN TO STORE

2024 Distributed by Menards, Inc. Eau Claire, WI 54703
Made in China

Contents

Preparation 2
Package Contents 2
Warnings and Cautions 3
Canopy Care 3
Assembly and Operation 3-5
Warranty 5
How to Replace Battery 6

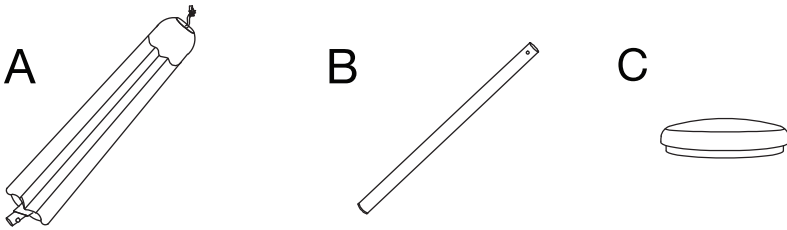
Preparation

Remove all protective materials. Be careful not to throw away small parts such as bolts, washers, etc., that may be wrapped in the protective materials.

Before assembling make sure all parts are present. Compare parts with package contents list. If any part is missing or damaged, do not attempt to assemble the product. Contact our customer service representative for assembly assistance at customerservice@atleisure.com or chat with us at <https://help.atleisure.com> 8 AM - 5 PM EST, Monday - Friday.

Estimated Assembly Time: 10 minutes

Package Contents



Part	Description	Re-order Number	Quantity
A	Canopy	CAN-9M6RBP-T60-(BE,BL,RD)	1
B	Bottom Pole	BMP-933040ALU-38	1
C	Solar Panel	SOL-933060	1

Warnings and Cautions

- Always take the umbrella down when not in use.
- Keep children away from umbrella during assembly to avoid injury.
- If the crank becomes too hard to crank, check to see if the rope has come off the pulley. If you continue to turn the crank, the rope or crank handle could break.

NOTE: We recommend that you insert the umbrella into an umbrella base or table (not included) for securing the umbrella.



WARNING: Do not use this umbrella during periods of high winds and rain. Failure to do so may result in personal injury and/or damage.

Canopy Care

- Simply clean the umbrella canopy with soft brush and mild detergent.
- DO NOT machine wash or dry.
- DO NOT iron.
- Air dry the canopy thoroughly before storing for extended period of time.
- Make sure the canopy is completely open during the drying process to prevent shrinkage

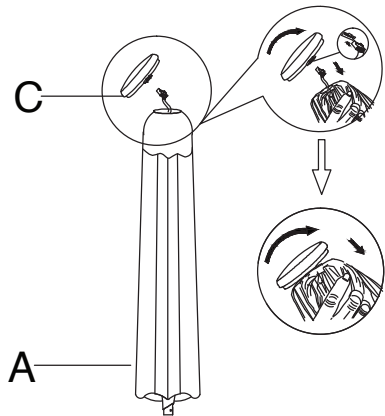
Assembly and Operation

Step 1: Insert the plug into the socket under the solar panel. Put the solar panel on the top of umbrella and hide the plug and wire inside the groove at the top of umbrella. Then turn the solar panel clockwise.

Do not over tighten. Please remove the plastic film on the solar panel. This protective plastic film is to prevent damage during shipment.

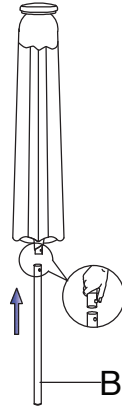
Put solar umbrella under the sunlight for 8 hours to charge battery for first use. Charging for less time will shorten lifespan of battery and decrease performance.

Ensure the switch on the umbrella rib is in OFF position. Solar panel will not be charged if lights are switched to ON position.



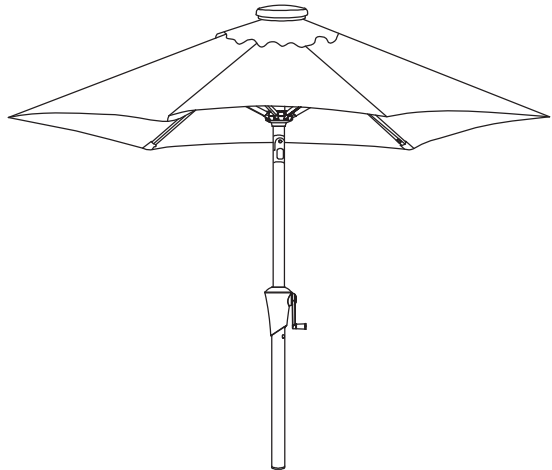
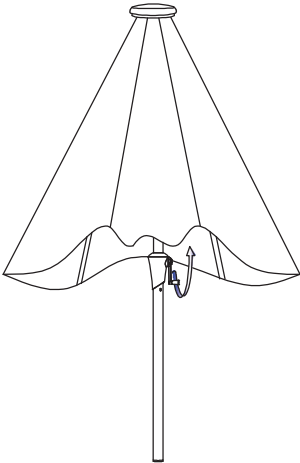
Assembly and Operation (continued)

Step 2: Insert the bottom pole into the upper pole while pressing the snap button on the upper pole until the snap button locks into position.



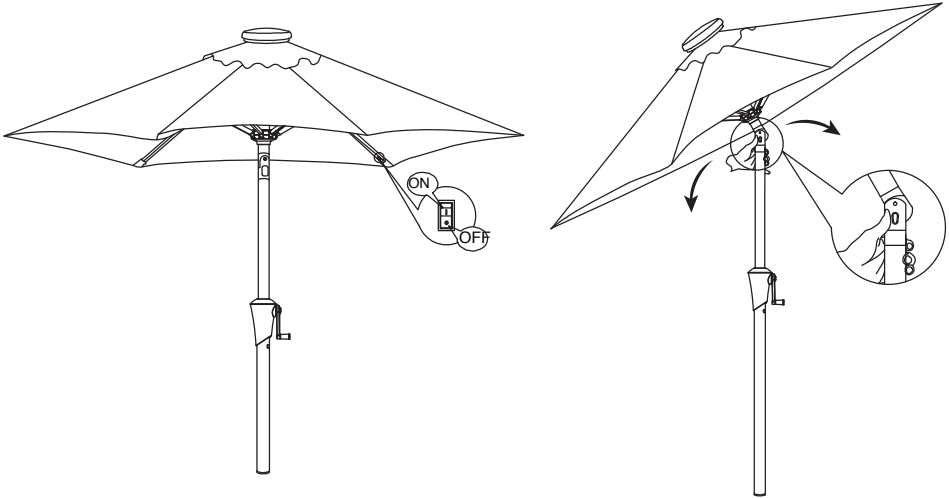
Step 3: Turn the crank handle in clockwise direction to open the umbrella canopy. Turn in the opposite direction to close the canopy.

TO CLOSE THE UMBRELLA, IT MUST BE IN THE UPRIGHT POSITION.



Assembly and Operation (continued)

Step 4: Turn on the light by pressing switch to ON position. Tilt canopy by pushing Tilt Button on pole while manually leaning top section of umbrella pole left or right.



Warranty

ONE YEAR WARRANTY

This product is covered under a manufacturer's one year warranty from date of purchase against defects in materials and workmanship. This warranty does not cover damage due to neglect, abuse or weather related damage. This warranty gives you specific legal rights, and you may also have other rights which vary from state to state.

Filing a Claim

If you are within your warranty, you may file a claim by sending your receipt and pictures of your damaged umbrella to ATLeisure at:

Email: customerservice@atleisure.com or chat with us at <https://help.atleisure.com> 8:00 AM to 5:00 PM EST (Monday - Friday)

How to replace the batteries

Step 1: We recommend that change the battery in your solar light umbrella every year or when you feel the light output is diminished. For best results buy (1) 18650 Lithium 2000mAh rechargeable battery same as supplied with panel. Install only new batteries.

Failure to insert battery in the correct polarity, as indicated in the battery compartment, may shorten the life of the battery or cause the battery to leak. Do not dispose of battery in fire. Battery should be recycled or disposed of as per state and local guidelines. Do not mix old and new batteries. Do not mix Alkaline, Standard (Carbon-Zinc) or Rechargeable (Nickle Cadmium) or (Nickle Metal Hydride) batteries.

Tools required: Phillips head screw driver (not included).

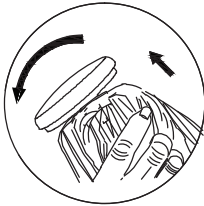


Figure 1

Step 1: Screw counterclockwise and remove the solar panel from the top of the umbrella as shown in Figure 1.

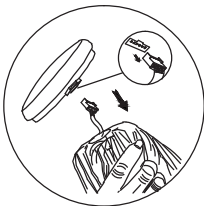


Figure 2

Step 2: Pull out the plug of the socket under the solar panel. Pull by holding the plug, not by pulling on the wires as shown in Figure 2.

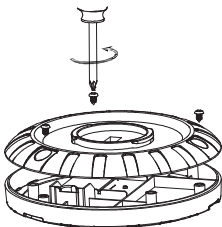


Figure 3

Step 3: Put the solar panel upside down on a flat, non-abrasive surface to avoid scratching. Loosen all screws on the solar panel bottom case as shown in Figure 3.

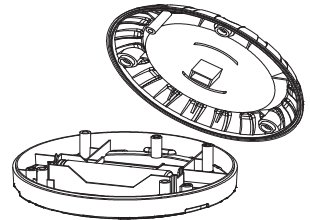


Figure 4

Step 4: Carefully open the bottom case and set aside. Replace the battery, matching the +/- on the battery with the +/- on the battery case as shown in Figure 4.

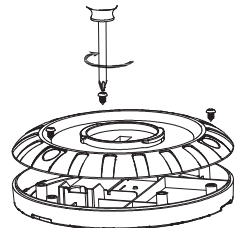


Figure 5

Step 5: Carefully put the bottom case back. Align the screw holes then tighten the screws. Do not over tighten the screws as shown in Figure 5.

Your solar umbrella is ready to use again!

For everyday normal use, turn on the light switch at night when you want to use solar light and turn off the switch after use.

U.S. Patent No.
6,612,713 & 7,753,546
8,069,868 & 8,375,966
8,727,555 & 8,794,781
9,470,413

BACKYARD
Creations®

For assistance with use, parts, or customer service, please contact:

ATLeisure, LLC

Customer Service is available by email at customerservice@atleisure.com or
chat at <https://help.atleisure.com> 8 AM – 5 PM EST, Monday – Friday.

DO NOT RETURN TO STORE

2024 Distributed by Menards, Inc. Eau Claire, WI 54703
Made in China