

SENCOR®

SVC 1040SL



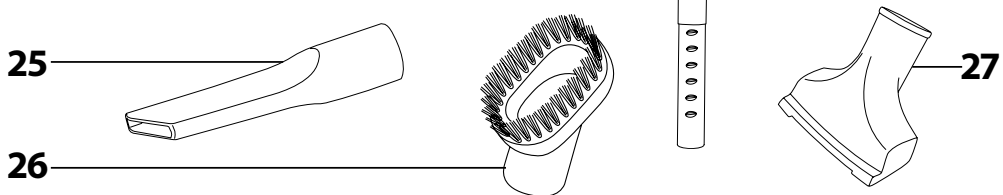
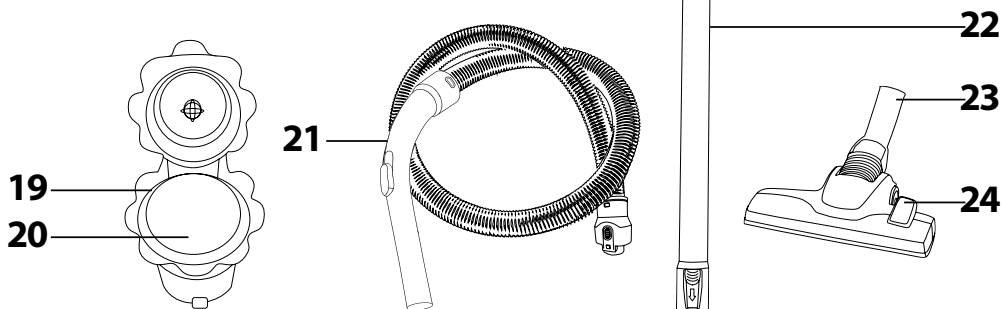
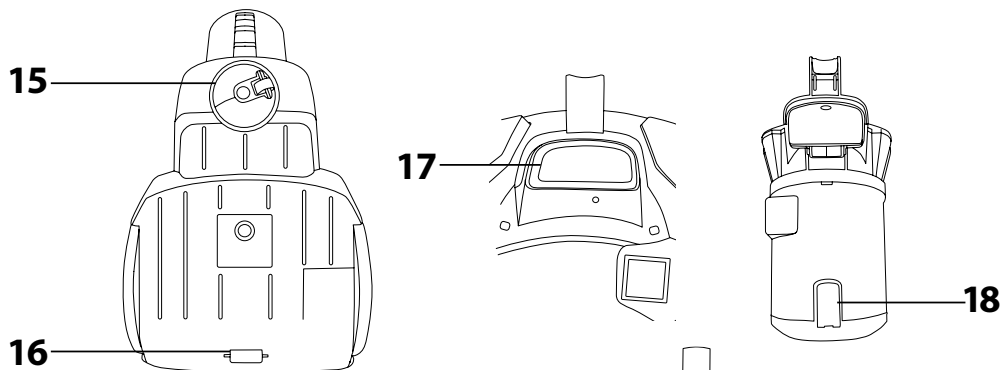
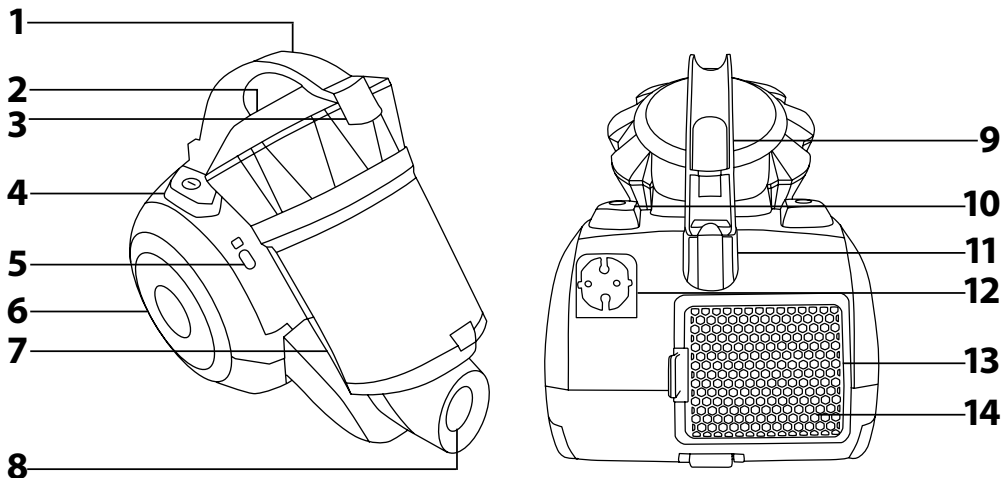
EN ■ Bagless Vacuum Cleaner

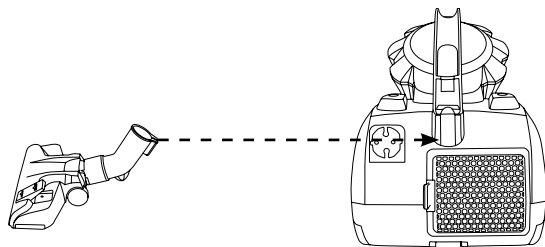
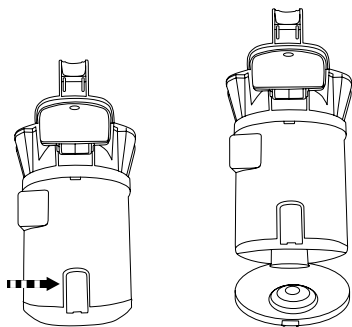
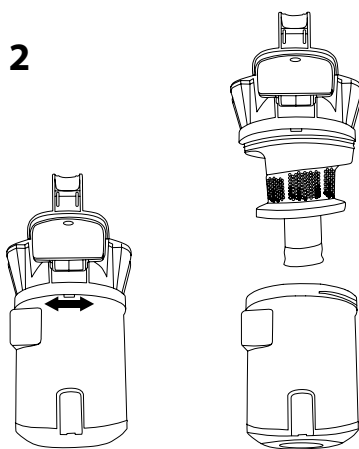
READ CAREFULLY AND STORE FOR FUTURE USE.

- This vacuum cleaner may be used by children 8 years of age and older and by persons with physical or mental impairments or by inexperienced persons, if they are properly supervised or have been informed about how to use this vacuum cleaner in a safe manner and understand the potential dangers. Children must not play with the vacuum cleaner. Cleaning and maintenance performed by the user must not be performed by unsupervised children. Keep the vacuum cleaner and its accessories out of reach of children that are younger than 8 years of age.
- This vacuum cleaner is designed for use in households, offices and similar types of areas. Do not use in industrial surroundings.
- Do not expose the vacuum cleaner to direct sunlight and do not place it near an open fire or appliances that are a source of heat.
- Before connecting the power cord to a power socket, check that the technical details on the vacuum cleaner's rating label match the electrical voltage in the socket.
- Make sure the power cord is not touching a hot surface or sharp objects.
- Do not submerge the vacuum cleaner under water or any other liquid and do not rinse it under running water.
- Before turning on the vacuum cleaner, make sure that the motor filter, micro-filter and the outflow EPA filter are installed in their place.
- When the vacuum cleaner is running, ensure that the air outlets and the suction opening are not blocked.
- Do not use the vacuum cleaner to vacuum the following items:
 - smouldering cigarettes, burning items, matches or embers;
 - water and other liquids;
 - flammable or volatile materials;
 - sharp items, e.g. broken glass, needles, pins, etc.;
 - flour, wall plaster, cement and other building materials;
 - larger pieces of paper or plastic bags, which can easily block the suction opening.
- Vacuuming of some types of floors or floor surfaces can create a electrostatic discharge, which presents no danger to the user.
- Do not place the suction nozzle or tube against any parts of the face.
- Always turn off the vacuum cleaner and disconnect it from the power socket when leaving it without supervision, after finishing using it and before cleaning it.

- Disconnect the power cord from the power socket by pulling on the plug, never pulling on the cord. Otherwise, this could damage the power cord or the socket. Hold the power cord in your hand when winding it up.
- If the power cord is damaged, have it replaced at a professional service centre. It is forbidden to use the vacuum cleaner if it has a damaged power cord.
- Do not use the vacuum cleaner if it is not working correctly, if it has been damaged or has been submerged in water. Do not repair the vacuum cleaner yourself or make any adjustments to it. Have all repairs performed at an authorised service centre. By tampering with the appliance, you risk voiding your legal rights arising from unsatisfactory performance or quality warranty.

A



B**C****1****2**

- Prior to using this appliance, please read the user's manual thoroughly, even in cases, when one has already familiarised themselves with previous use of similar types of appliances. Only use the appliance in the manner described in this user's manual. Keep this user's manual in a safe place where it can be easily retrieved for future use.
- We recommend saving the original cardboard box, packaging material, purchase receipt and responsibility statement of the vendor or warranty card for at least the duration of the legal liability for unsatisfactory performance or quality. In the event of transportation, we recommend that you pack the appliance in the original box from the manufacturer.

DESCRIPTION OF THE VACUUM CLEANER AND ITS ACCESSORIES

A1 Handle	EPA filter
A2 Lid	A14 Washable outflow EPA filter is placed behind the grill.
the micro-filter is located under the lid.	A15 Front swivel travel wheel
A3 Lid open clip	A16 Rear travel wheel
A4 On/Off button of the vacuum cleaner	A17 Motor filter
A5 Full dust container indicator	A18 Dust container open clip
A6 Rubber-coated side travel wheel	A19 Sealing ring
A7 Removable 1.3-litre dust container	A20 Micro-filter
A8 Flexible hose connection hole	A21 Flexible hose with mechanical suction power control in the handle
A9 Lock-in clip	A22 Telescopic metal tube
serves to secure the dust container in the vacuum cleaner.	A23 Floor nozzle with an extensible brush
A10 Automatic power cord winding button	A24 Flap for extending and retracting the brush
A11 Groove for the horizontal parking position	A25 Crevice nozzle
A12 Power cord	A26 Brush nozzle
A13 Removable grill of the outflow	A27 Upholstery nozzle

INTENDED USE OF THE ACCESSORIES

- The universal floor nozzle with an extensible brush **A23** is intended for all floor types. Extend the brush when vacuuming smooth hard floors, and retract it when vacuuming carpets. Use flap **A24** to extend and retract the brush.
- The crevice nozzle **A25** makes vacuuming corners and hard to reach places much easier; the brush nozzle **A26** can be used for various types of furniture and nozzle **A27** serves to gently vacuum upholstered furniture.

PREPARING FOR USE

- Make sure that the dust container **A7**, motor filter **A17**, micro-filter **A20** and the outflow EPA filter **A14** are properly installed in the vacuum cleaner
- Slide the end of the flexible hose **A21** fully into the hole **A8**. The hose **A21** is secured in place when an audible click is made.



Note:

Prior to disassembly, it is necessary to press the latches on the hose end **A21** while simultaneously pulling it out of the hole **A8**.

- Attach the telescopic tube **A22** on to the handle of the flexible hose **A21**. Slide the clip on the telescopic tube **A22** in the direction of the arrow marked on the extension locking clip on the telescopic tube **A22**. After unlocking the locking clip, set the length of the tube **A22** by sliding its extensible part in or out. When the clip is released, it will lock in at the set length.
- Connect the floor nozzle **A23** to the free end of the telescopic tube **A22**.
- The crevice nozzle **A25**, brush nozzle **A26** and upholstery nozzle **A27** can be attached directly to the handle of the flexible hose **A21** or to the telescopic tube **A22**.

USING THE VACUUM CLEANER

- Pull on the power plug to wind out the required length of the power cord **A12** and connect it to a power socket.



Attention:

The yellow mark on the power cord **A12** indicates the approaching end of its length, and the red mark indicates the complete end of its length. Do not attempt to pull the power cord **A12** past this mark.

- To start the vacuum cleaner, press button **A4**. Suction power can be set using the mechanical flap on the handle of the flexible hose **A21**.
- The rubber-coated wheels protect floating floors against scratching and ensure smooth motion of the vacuum cleaner on the floor.

- When you have finished using the vacuum cleaner, turn it off by pressing button **A4** and disconnect the power cord **A12** from the power socket. To wind the power cord **A12** back into the vacuum cleaner, press and hold button **A10** until its entire length is wound up. Gently hold the power cord **A12** with one hand while winding it up.



Note:

If the power cord **A12** is not wound up completely, release button **A4**, and pull the power cord **A12** out of the vacuum cleaner by approximately 50 cm and then try to wind it up again.

PARKING POSITION OF THE VACUUM CLEANER

- When not using the vacuum cleaner, you may put it in the parking position by sliding the guide tab on the floor nozzle **A23** into the groove **A11**, see fig. B.
- Do not carry the vacuum cleaner from place to place if the hose is in the parked position. The guide tab on the floor nozzle **A23** could brake off.

MAINTENANCE AND CLEANING

- Before cleaning it, always make sure that the vacuum cleaner is turned off and disconnected from the power socket.

Emptying and cleaning the dust container

- The red-coloured indicator **A5** signals that it is necessary to empty out the dust container **A7**.
- Release the lock-in clip **A9** and pull on the handle **A1** to remove the dust container **A7** from the vacuum cleaner. Place it over a dust bin and press the dust container open clip **A18**, see figure C1. This will open the tilt-out bottom and dump out the contents of the container **A7**. Gently tap on the sides of the container **A7** to release any accumulated dirt. For hygiene reasons, we recommend emptying out the dust container **A7** away from living areas.
- Hold the container **A7** with one hand and with your other hand turn the handle **A1** in the direction of the open padlock symbol that is marked on the container **A7**. Remove the top part containing the cyclone unit from the dust container **A7**, see figure C2. Wash the container **A7** under lukewarm running water and thoroughly wipe it dry. Assemble the container **A7** and close its bottom. Reinsert the assembled container **A7** back into the vacuum cleaner and make sure that it is properly secured in the vacuum cleaner.

Cleaning and replacing the motor filter, micro-filter and the outflow EPA filter

- Remove the dust container **A7** from the vacuum cleaner. If the motor filter **A17** is visibly soiled, tap it out or wash it under lukewarm running water and allow it to dry naturally. Install the filter **A17** and container **A7** back into the vacuum cleaner. In the event that the motor filter **A17** is showing signs of wear or it is heavily soiled, replace it with a new one.
- Open the lid **A2**, remove the micro-filter **A20** and tap out its contents or wash it under a weak current of running lukewarm water and allow it to dry naturally. Make sure that the micro-filter **A20** is seated in the sealing ring **A19** and put it back in its place. Close the lid **A2**. In the event of heavy soiling or wear and tear, replace the used micro-filter **A20** with a new one.
- Release and remove the grill **A13**. Remove the EPA filter **A14** from the vacuum cleaner. In the case of light soiling, tap it out. In the event of heavy soiling, wash it under a weak current of running lukewarm water so that the water washes the dirt out of the folds. Allow the EPA filter **A14** to dry naturally, then reinsert it and secure it in place with the grill **A13**. It is recommended to replace the EPA filter with a new one after 6 months of use.
- When filters are soiled, their effectiveness is reduced, so do not neglect their cleaning and ensure their timely replacement.



Note:

For hygiene reasons, we recommend that you tap out the filters away from living areas.



Attention:

Before putting the filters back into the vacuum cleaner, make sure that they are completely dry.

Cleaning the flexible hose, telescopic tube, floor nozzle, crevice nozzle, brush nozzle and upholstery nozzle.

- If the accessories are soiled, take them out and clean away all dirt (dust, hair, animal fur, etc.).

Cleaning the outer surface of the vacuum cleaner

- Clean the outer surface using a dry or a lightly dampened cloth. Then wipe it thoroughly dry.
- For cleaning the vacuum cleaner, do not use steel wool, abrasive cleaning products, solvents etc.
- Do not submerge the vacuum cleaner under water or any other liquid and do not rinse it under running water.

TECHNICAL SPECIFICATIONS

Rated voltage range	220–240 V
Rated frequency	50 Hz
Rated power input	700 W
Electrical shock protection class	II
Noise level	78 dB(A)
Dust container capacity	1.3l
EPA filter efficiency class	11
Length of the power cord	5 m
Operational radius	8 m
Dimensions (length × width × height)	37 × 27 × 24 cm
Weight	5 kg

The declared noise emission level is 78 dB(A), which represents a level A of sound power with respect to a reference sound power of 1 pW.

Explanation of technical terminology

Safety class for electrical shock protection:

Class II – Electrical shock protection is provided by double or heavy-duty insulation.

We reserve the right to change text and technical specifications.

PRODUCT INFORMATION SHEET

Name / trademark	Sencor
Model identification number	SVC 1040SL
Energy efficiency class*	A
Annual power consumption (in kWh)**	28
Carpet cleaning efficiency class	D
Hard floor cleaning efficiency class	A
Vacuum cleaner dust emission class	B
Level of acoustic power in dB(A)	78
Rated power input (W)	700

* Class A (highest efficiency class, low power consumption) to Class G (lowest efficiency class, high power consumption).

** Approximate annual power consumption in kWh per year based on 50 cleaning cycles. Actual power consumption will depend on how the appliance is used.

The values are determined pursuant to (EU) No. 665/2013.

INSTRUCTIONS AND INFORMATION REGARDING THE DISPOSAL OF USED PACKAGING MATERIALS

Dispose of used packaging material at a site designated for waste in your municipality.

DISPOSAL OF USED ELECTRICAL AND ELECTRONIC EQUIPMENT



This symbol on products or original documents means that used electric or electronic products must not be added to ordinary municipal waste. For proper disposal, renewal and recycling hand over these appliances to determined collection points. Alternatively, in some European Union states or other European countries you may return your appliances to the local retailer when buying an equivalent new appliance.

Correct disposal of this product helps save valuable natural resources and prevents potential negative effects on the environment and human health, which could result from improper waste disposal. Ask your local authorities or collection facility for more details.

In accordance with national regulations penalties may be imposed for the incorrect disposal of this type of waste.

For business entities in European Union states

If you want to dispose of electric or electronic appliances, ask your retailer or supplier for the necessary information.

Disposal in other countries outside the European Union.

This symbol is valid in the European Union. If you wish to dispose of this product, request the necessary information about the correct disposal method from the local council or from your retailer.



This product meets all the basic requirements of EU directives related to it.