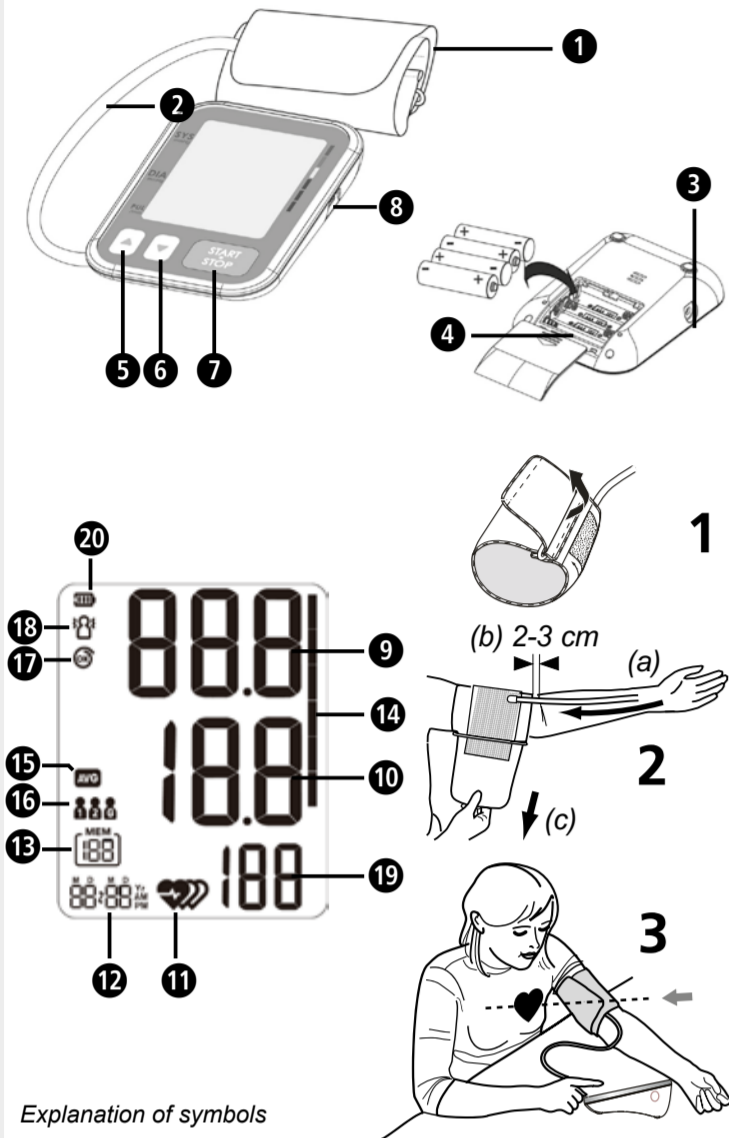


## GB Instruction manual Upper Arm Blood Pressure Monitor BU 566

Unit and LC-Display



### Explanation of symbols

- IMPORTANT**  
Follow the instructions for use!  
Non-observance of these instructions can result in serious injury or damage to the device.
- WARNING**  
These warning notes must be observed to prevent any injury to the user.
- CAUTION**  
These notes must be observed to prevent any damage to the device.
- NOTE**  
These notes give you useful additional information on the installation or operation.
- Device classification: type BF applied part
- LOT  
LOT number
- SN  
Serial number
- Direct current
- Manufacturer
- Date of manufacture

**Intended use**

- This fully automatic electronic Upper Arm Blood Pressure Monitor is intended for measuring the blood pressure at home. It is a non-invasive blood pressure measurement system to measure the diastolic and systolic blood pressure and pulse of an adult using an oscillometric technique by means of a cuff, which needs to be fitted on the upper arm. The useable cuff circumference is 22 to 42 cm.
- The device is intended for adult indoor use only.

**Contraindications**

- The device is not suitable for use on pregnant women and patients with implanted, electrical devices (e.g. pacemaker or defibrillator).

## GB Safety instructions



Read the instruction manual carefully before using this device, especially the safety instructions, and keep the instruction manual for future use. Should you give this device to another person, it is vital that you also pass on these instructions for use.



- The unit is intended only for private use in the home.
- Only use the unit for its intended purpose in accordance with the instructions for use. Warranty claims become void if the unit is misused.
- The patient is an intended operator. The patient can measure data and change batteries under normal circumstances and maintain the device and its accessories according to the user manual.
- This Upper Arm Blood Pressure Monitor is intended for adult use. The device is not suitable for measuring the blood pressure of children or infants. Ask your doctor before using it on older children.
- Keep the unit out of reach of infants, young children or pets to avoid inhalation or swallowing of small parts.
- The device has sensitive components. Be careful and ensure that the operating and storage conditions are met.
- The device is not suitable for use on pregnant women, patients with implanted, electrical devices (e.g. pacemaker or defibrillator), patients with pre-eclampsia, premature ventricular beats, atrial fibrillation, peripheral, arterial disease and patients undergoing intravascular therapy or arterio-venous shunt or people who received a mastectomy. Please consult your doctor prior to using the unit if you suffer from illnesses.
- The device is not intended for patient transport outside a healthcare facility.
- This device is intended for non-invasive measuring and monitoring of arterial blood pressure on the upper arm. It is not intended for use on extremities other than the upper arm or for functions other than obtaining a blood pressure measurement.
- Do not take any therapeutic measures on the basis of a self measurement. Never alter the dose of a medicine prescribed by a doctor. If you are taking medication, consult your physician to determine the most appropriate time to measure your blood pressure. Contact your doctor if you have any further questions about blood pressure measurement with this device.
- Irregularity of pulse or arrhythmia can lead to difficulties in recording a correct reading when measurements are taken using oscillometric blood pressure devices. This device is electronically equipped to detect arrhythmia which it indicates with the icon . In this case, contact your physician.
- Like on any other oscillometric blood pressure measurement devices, certain medical conditions can affect the measurement accuracy, among others: cardiac arrhythmias, low blood pressure, circulatory disorders, states of shock, diabetes, pregnancy, pre-eclampsia etc. Always consult a physician before you use the device.
- Pay attention during use and storage, that cable and air hose will not cause strangulation.
- Never bend the air hose during use as this may lead to injuries. Also never squeeze or block the air hose in any way.
- Do not take measurements, if any other equipment is applied to the same limb for monitoring. This could lead to disturbances or failures.
- Too frequent and consecutive measurements could cause disturbances in blood circulation and injuries.
- This device cannot be used with surgical equipment at the same time.
- Do not apply the cuff over a wound, otherwise it can cause further injury.
- On the rare occasion of a fault causing the cuff to remain fully inflated during measurement, open the cuff immediately. Prolonged high pressure (cuff pressure >300 mmHg or constant pressure >15 mmHg for more than 3 minutes) applied to the arm may lead to an echymosis.
- To verify the calibration of the device, contact the customer service.
- This device is not suitable for continuous monitoring during medical emergencies or operations - risk of injuries!
- Do not use the equipment where flammable gas (such as anaesthetic gas, oxygen or hydrogen) are present.
- Before use, make sure the device functions safely and is in proper working condition. Do not service or maintain while the device is in use.
- Check the device for damage. The use of a damaged device can result in injury, incorrect readings or serious hazards.
- The unit may not be operated in the vicinity of appliances that emit strong electric radiation such as radio transmitters or mobile phones. This may affect the proper functioning (see "electromagnetic compatibility").
- The device and its components are suitable for use within the patient environment. If you are allergic to polyester, nylon or plastic, please don't use this device.
- If you experience discomfort during a measurement, such as pain in the upper arm or other complaints, press the START/STOP button to release the air immediately from the cuff. Loosen the cuff and remove it from your arm.
- If the cuff pressure reaches 300 mmHg, the unit will automatically deflate. Should the cuff not deflate when pressure reaches 300 mmHg, detach the cuff from the arm and press the START/STOP button to stop inflation.
- Do not wash the cuff in a washing machine or dishwasher!
- The service life of the cuff may vary by the frequency of cleaning, skin condition, and storage state. The typical service life is 10,000 times.
- It is recommended that the performance should be checked every 2 years and after maintenance and repair. Contact the customer service to learn more.
- Do not touch output of batteries and the patient simultaneously.
- Please do not attempt to repair the unit yourself in the event of malfunctions. Only have repairs carried out by authorised service centres.
- Please ensure that the unit is kept away from the reach of children and pets. The swallowing of small part like packaging bag, battery, battery cover and so on may cause suffocation.
- Only use original additional or spare parts from the manufacturer. Other parts could damage the device or could lead to personal injury.
- Please report to **medisana** if any unexpected operation or events occur.
- The construction of the device possibly allows an inadvertently connection to intravascular fluid systems, allowing air to be pumped into a blood vessel - risk of injury!
- Only use the device under the conditions mentioned in the technical details. Otherwise, the lifespan and performance of the device could suffer.
- At least 30 min required for ME equipment to warm from the minimum storage temperature between uses until it is ready for the intended use.
- At least 30 min required for ME equipment to cool from the maximum storage temperature between uses until it is ready for the intended use.
- If the unit is not going to be used for a long period, please remove the batteries.

### BATTERY SAFETY INFORMATION

- Do not disassemble batteries!
- Renew the batteries when the battery icon appears on the display.
- Remove discharged batteries from the device immediately, because they can leak and damage the device!
- Increased risk of leakage, avoid contact with skin, eyes and mucous membranes! If battery acid comes in contact with any of these parts, rinse the affected area with copious amounts of fresh water and seek medical attention immediately!
- If a battery has been swallowed seek medical attention immediately!
- Replace all of the batteries simultaneously!
- Only replace with batteries of the same type, never use different types of batteries together or used batteries with new ones.
- Insert the batteries correctly, observing the polarity!
- Keep batteries out of children's reach!
- Do not attempt to recharge batteries, do not short-circuit and do not throw into a fire! **There is a danger of explosion!**
- Do not throw used batteries into the household refuse; put them in a hazardous waste container or take them to a battery collection point, at the shop where they were purchased!

### Unit and LC-Display

- |  |  |  |
|--|--|--|
|  |  |  |
|  |  |  |
|  |  |  |
|  |  |  |
|  |  |  |
|  |  |  |
|  |  |  |

### Scope of supply

Please check first of all that the device is complete and is not damaged in any way. In case of doubt, do not use it and contact your dealer or your service centre.  
The following parts are included:

- 1 **medisana** Upper Arm Blood Pressure Monitor **BU 566**
- 1 cuff with air tube
- 1 storage pouch
- 4 batteries (type AAA, LR03) 1.5V
- 1 instruction manual

**WARNING - Please ensure that the polythene packing is kept away from the reach of children! Risk of suffocation!**

### How is blood pressure measured?

This **medisana** Upper Arm Blood Pressure Monitor is a device, which is used to measure blood pressure at the upper arm. The measurement is carried out by a microprocessor - already during the inflating process of the cuff. The device detects the systole and the measurement is completed earlier than using conventional measurement methods. As a result, an unnecessarily excessive inflation pressure in the cuff is prevented. Additionally, your device is able to recognize irregular heartbeat (so-called arrhythmia), which may affect the measurements. In case an arrhythmia has been detected, the respective symbol will appear in the display of the unit.

### Blood pressure classification

| systolic mmHg | diastolic mmHg |                            | Bloodpressure indicator |
|---------------|----------------|----------------------------|-------------------------|
| ≥ 180         | ≥ 110          | serious hypertension       | red                     |
| 160 - 179     | 100 - 109      | medium hypertension        | orange                  |
| 140 - 159     | 90 - 99        | mild hypertension          | yellow                  |
| 130 - 139     | 85 - 89        | high-normal blood pressure | green                   |
| 120 - 129     | 80 - 84        | normal blood pressure      | green                   |
| < 120         | < 80           | optimal blood pressure     | green                   |

**WARNING - Blood pressure that is too low represents just as great a health risk as blood pressure that is too high! Fits of dizziness may lead to dangerous situations arising (e.g. on stairs or in traffic)!**

### Influencing and evaluating readings

- Measure your blood pressure several times, then record and compare the results. Do not draw any conclusions from a single reading.
- Your blood pressure readings should always be evaluated by a doctor who is also familiar with your personal medical history. When using the unit regularly and recording the values for your doctor, you should visit the doctor from time to time to keep him updated.
- When taking readings, remember that the daily values are influenced by several factors. Smoking, consumption of alcohol, drugs and physical exertion influence the measured values in various ways.
- Measure your blood pressure before meals.
- Before taking readings, allow yourself at least five minutes rest.
- If the systolic and diastolic readings seem unusual (too high or too low) on several occasions, despite correct use of the unit, please inform your doctor. This also applies to the rare occasions when an irregular or very weak pulse prevents you from taking readings.

### Getting started

#### Inserting/changing batteries

You must insert the batteries provided before you can use your unit. The lid of the battery compartment is located on the underside of the unit. Open it and insert the 4 x 1,5 V batteries, type AAA / LR03 supplied. Ensure correct polarity when inserting the batteries (as marked inside the battery compartment). Close the battery compartment. Replace the batteries if the change battery symbol and "Lo" appears on the display or if nothing appears on the display after the unit has been switched on.

#### Type-C connection for Power Supply

In addition to the batteries, the power can also be supplied by plugging into D.C. 5V external power supply through a Type-C port. (The Type-C charging cable is included in the packing)

### Settings

#### Setting date and time

When unit is off, press and hold the SET button for 3 seconds to enter the mode for year setting. Press MEM button or SET button to change the [YEAR]. Each press will increase or decrease the numeral by one in a cycling manner. When you get the right year, press "START/STOP" button to set down and turn to next step. Then the date format will flash. Press the MEM button or SET button switch the date format between [month/day] and [day/month]. Press the "START/STOP" button to confirm the date format, then the [Month] will flash. Afterwards, you can proceed with the month/date setting, followed by the time format setting (12 or 24 hours), as well as hours and minutes. Adjust the corresponding figures accordingly. When finished, "dOnE" appears on the display along with the adjusted values. Afterwards, the device will switch off.

#### User memory setting

The **MEDISANA** Upper Arm Blood Pressure Monitor features 2 separate memories, each with a capacity of 199 memory slots. By pressing the SET button when the device is switched off, you may choose between User 1 / User 2 / Guest. The User ID will blink. Press the "START/STOP" button to confirm the selected user ID, it will enter the measurement automatically.

#### Fitting the cuff

1. Connect the air hose to the connector on the left side of the device.
2. Slide the open end of the cuff through the metal bracket so that the Velcro fastener is on the outside and it becomes a cylindrical form (Fig.1). Slide the cuff over your left upper arm.
3. Position the air hose in the middle of your arm in line with your middle finger (Fig.2) (a). The lower edge of the cuff should be 2 - 3 cm above the crease of the elbow, (b). Pull the cuff tight and close the Velcro fastener (c).
4. Measure the blood pressure on your bare arm.
5. Only position the cuff on the right arm if it cannot be used on the left arm. Always carry out measurements on the same arm.
6. Correct measuring position for sitting (Fig.3).

#### Taking a blood pressure measurement

After the cuff has been appropriately positioned, the measurement can begin.

1. Switch the unit on by pressing the START/STOP button .
2. The device then automatically inflates the cuff slowly in order to measure your blood pressure. The rising pressure in the cuff is shown on the display.
3. When the device detects the signal, the heart symbol on the display starts to flash. If a result is determined, the device slowly will release the air from the cuff. The systolic and diastolic blood pressure and the pulse value with the time value appear on the display.
4. The blood pressure indicator flashes next to the relevant coloured bar depending on the blood pressure classification.
5. If the unit has detected an irregular heartbeat, the arrhythmia display appears additionally.
6. If there is excessive body motion is detected, especially of the arm the cuff is worn, the Motion indicator will flash about 5 seconds and detect again. If there is no excessive body motion detected, the symbol will disappear; if there is still excessive body motion detected, the Motion indicator will be displayed in the measurement result.
7. The readings are automatically saved in the memory .
8. Press "START/STOP" button to power off, or it will turn off within 1 minute.

#### Displaying stored results

This unit features 2 separate memories, each with a capacity of 199 memory slots. Results are automatically stored in the memory selected by the user. Press the MEM button when power off, to call up the measured values stored. The average values of the last 3 measurements appear on the display (if already 3 measurements have been stored for the respective user. Press the MEM button again to call up the last measurement value. Repeatedly pressing the MEM button or the SET button displays the respective values measured in other measurements. Memory recall mode can be exited at any time by pressing the START/STOP button , which will also switch the unit off. The oldest value is deleted if 199 measured values have been stored in the memory and a new value is saved.

#### Deleting stored values

Enter the memory recall mode as described above and let the device show the value you want to delete. Now press and hold the START/STOP button for approx. 3 seconds, the LCD will display "dEL y" and blink (this is not working during average value display mode "AVG"). Now press and hold the START/STOP button to delete the value. If you want to delete ALL stored values of a user, press and hold the MEM button and SET button during the memory recall mode "dEL ALL" will be displayed. Now press the START/STOP button to delete all values. To exit the deletion mode, you may press the START/STOP button at any time.

### Error messages and error remedying

| Display    | Cause  | Solution  |
|------------|--|---|
| No display | Batteries may be exhausted or inserted incorrectly. Check if the power connection has been established properly. | Insert new batteries. Insert the batteries according to the instructions given.                           |
| bAt Lo &   | Weak batteries   | Batteries are weak or empty. Replace all 4 batteries by new ones (1.5V, type AAA / LR03).                 |
| E 1        | Cuff not properly fitted   | Wrap the cuff properly. Remeasure in correct way.   |
| E 2 or     | Excessive body motion (such as shaking of the arm with the cuff on) or weak pulse is detected.                   | Rest 30 minutes and remeasure in correct way. Do not speak or move during the measurement.                |
| E 3        | Pulse cannot be detected   | Wrap the cuff properly. Loosen the clothing on the arm. Remeasure in correct way.                         |
| E04        | Measurement failed   | Wrap the cuff properly. Remeasure in correct way.   |
| EExx       | Calibration error ("xx" can be a figure, e.g. 01, 02 etc.)   | Turn off monitor and measure again. If EExx still appears, please contact customer service.               |
| out        | Out of measurement range   | Relax for a moment. Refasten the cuff and measure again. If the problem persists, contact your physician. |

### Cleaning and maintenance

Remove the batteries before cleaning the unit. Clean the unit using a soft cloth lightly moistened with a mild soapy solution. Never use abrasive cleaning agents, alcohol, naphta, thinner or gasoline etc. Never immerse the unit or any component in water. Be cautious not to get any moisture in the main unit. Do not wet the cuff or attempt to clean the cuff with water. Using a dry cloth, gently wipe away any excess moisture that may remain on the cuff. Lay the cuff flat in an unrolled position and allow the cuff to air dry. Do not expose the unit to direct sunlight; protect it against dirt and moisture. Do not expose the unit to extreme hot or cold temperatures. Keep the device in the storage case when not in use. Store the unit in a clean and dry location.

### Disposal

This product must not be disposed of together with domestic waste. All users are obliged to hand in all electrical or electronic devices, regardless of whether or not they contain toxic substances, at a municipal or commercial collection point so that they can be disposed of in an environmentally acceptable manner. Remove the batteries before disposing of the device/unit. Do not dispose of old batteries with your household waste, but at a battery collection station at a recycling site or in a shop. Consult your local authority or your supplier for information about disposal.

### Guidelines / Standards

This Upper Arm Blood Pressure Monitor meets the requirements of the EU standard for noninvasive blood pressure monitors. It is certified in accordance with EC Guidelines and carries the CE symbol (conformity symbol) "CE 0197". The Upper Arm Blood Pressure Monitor corresponds to European standards EN 60601-1, EN 60601-1-2, EN 81060-2 and EN 80601-2-30. The specifications of EU Guideline "93/42/EEC of the Council Directive dated 14 June 1993 concerning medical devices" are met. Please contact your supplier if you notice any transport damage on unpacking the unit.

### Technical specifications

|   |  |
|---|--|
| Name and description:                           | <b>medisana</b> Upper Arm Blood Pressure Monitor <b>BU 566</b>                                 |
| Display system:                                 | Digital display  |
| Memory slots:                                   | 2 x 199  |
| Measuring method:                               | Oscillometric  |
| Power supply:                                   | 6 V=, 4 x 1,5 V batteries AAA LR03, internally powered   |
| Rated cuff pressure:                            | 0 - 299 mmHg (0 - 39.9 kPa)  |
| Measurement pressure:                           | SYS: 60-230mmHg (8-30.7kPa); DIA: 40-130mmHg (5.3-17.3kPa)                                     |
| Pulse measuring range:                          | 40 – 199 beats per minute  |
| Maximum error tolerance for static pressure:    | ± 3 mmHg   |
| Maximum error tolerance for pulse rate:         | ± 5 % of the value   |
| Pressure generation:                            | Automatic with pump  |
| Deflation:                                      | Automatic  |
| Protection marking against particles and water: | IP21   |
| Operating conditions:                           | +5°C to +40°C, 15 to 90 % relative humidity, non-condensing, 700-1060 hPa atmospheric pressure |
| Storage conditions:                             | -20°C to +60°C, relative humidity ≤ 93 %   |
| Dimensions (L x W x H):                         | approx. 130.6 x 94 x 31.7 mm   |
| Cuff:   | 22 - 42 cm for adults  |
| Weight (main unit):                             | approx. 184 g without batteries  |
| Item number:                                    | 48143  |
| EAN number:                                     | 40 15588 48143 7   |
| Accessories:                                    | Spare cuff<br>Art. No. 51299 / EAN 40 15588 51299 5  |

**In accordance with our policy of continual product improvement, we reserve the right to make technical and visual changes without notice.**

### Warranty and repair terms

Please contact your supplier or the service centre in case of a claim under the warranty. If you have to return the unit, please enclose a copy of your receipt and state what the defect is.

The following warranty terms apply:

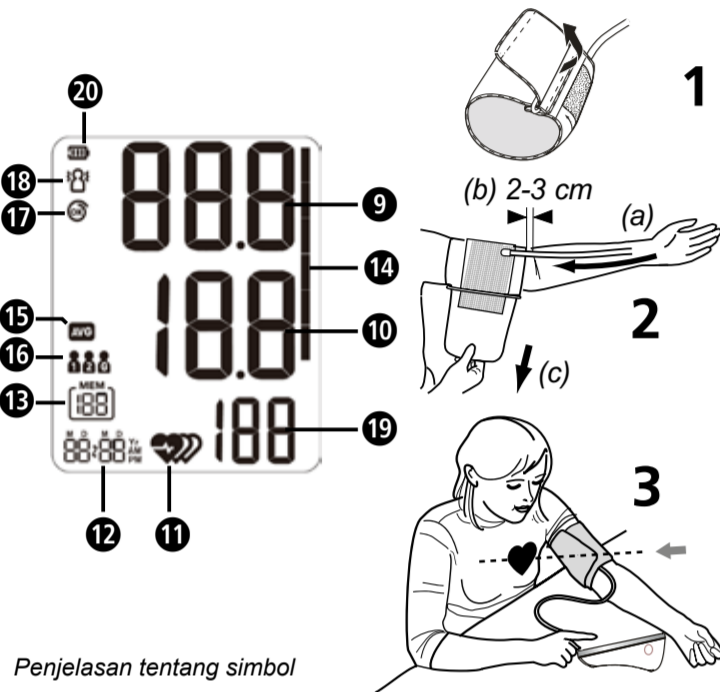
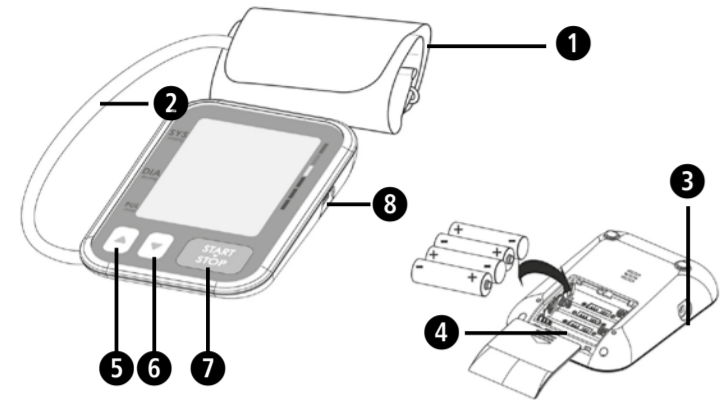
1. The warranty period for **medisana** products is 3 years from date of purchase. In case of a warranty claim, the date of purchase has to be proven by means of the sales receipt or invoice.
2. Defects in material or workmanship will be removed free of charge within the warranty period.
3. Repairs under warranty do not extend the warranty period either for the unit or for the replacement parts.
4. The following is excluded under the warranty:
  - a. All damage which has arisen due to improper treatment, e.g. nonobservance of the user instructions.
  - b. All damage which is due to repairs or tampering by the customer or unauthorised third parties.
  - c. Damage which has arisen during transport from the manufacturer to the consumer or during transport to the service centre.
  - d. Accessories which are subject to normal wear and tear.
5. Liability for direct or indirect consequential losses caused by the unit are excluded even if the damage to the unit is accepted as a warranty claim.

**Guangdong Transtek Medical Electronics Co., Ltd.**  
Zone A, No.105, Dongli Road, Torch Development District, 528437 Zhongshan, Guangdong, China

**MDSS GmbH**  
Schiffgraben 41, 30175 Hannover, Germany

**MS Arahan manual Pemantau tekanan darah lengan BU 566**

Unit dan Paparan LC



*Penjelasan tentang simbol*

- PENTING**  
Ikut arahan penggunaan!  
Ketidaktetapan arahan ini boleh mengakibatkan kecederaan serius atau kerosakan pada peranti.
- AMARAN**  
Nota amaran ini mesti dipatuhi untuk mencegah sebarang kecederaan kepada pengguna.
- AWAS**  
Nota ini mesti dipatuhi untuk mencegah sebarang kerosakan pada peranti.
- CATATAN**  
Nota ini memberi anda maklumat tambahan yang berguna tentang pemasangan atau operasi.
- Pengelasan peranti: jenis bahagian yang digunakan BF
- LOT**  
Nombor LOT
- SN**  
Nombor siri
- Arus terus
- Pengilang
- Tarikh pembuatan

**Penggunaan yang Dicadangkan**

- Pemantau tekanan darah lenganelektronik automatik sepenuhnya ini bertujuan untuk mengukur tekanan darah di rumah. Ini merupakan sistem pengukuran tekanan darah bukan invasif untuk mengukur tekanan darah diastolik dan sistolik dan nadi orang dewasa menggunakan teknik osilometrik dengan menggunakan kaf, yang perlu dipasang pada lengan atas. Lilitan kaf yang boleh digunakan ialah 22 hingga 42 cm.
- Peranti ini bertujuan untuk kegunaan dalaman orang dewasa sahaja.

**Kontraindikasi**

- Peranti ini tidak sesuai untuk digunakan pada wanita hamil dan pesakit dengan peranti elektronik yang diimplan (cth. perentak jantung atau defibrilator).

**MS Arahan keselamatan**

**Baca manual arahan dengan teliti sebelum menggunakan peranti ini, terutamanya arahan keselamatan, dan simpan manual arahan untuk kegunaan masa hadapan. Sekiranya anda memberikan peranti ini kepada orang lain, penting juga untuk anda menyampaikan arahan ini untuk digunakan.**



- Unit ini hanya dicadangkan untuk kegunaan peribadi di rumah.
- Hanya gunakan unit untuk tujuan yang dimaksudkan mengikut arahan penggunaan. Tuntutan waranti menjadi terbatal jika unit disalahgunakan.
- Pesakit ialah pengendali yang dimaksudkan. Pesakit boleh mengukur data dan menukar bateri dalam keadaan biasa dan menyelenggara peranti dan aksesori mengikut manual pengguna.
- Pemantau tekanan darah langanini bertujuan untuk kegunaan orang dewasa. Peranti ini tidak sesuai untuk mengukur tekanan darah kanak-kanak atau bayi. Tanya doktor anda sebelum menggunakan alat pada kanak-kanak yang lebih tua.
- Jauhkan unit daripada bayi, kanak-kanak kecil atau haiwan peliharaan untuk mengelakkan daripada tersedut atau menelan bahagian kecil.
- Peranti mempunyai komponen sensitif. Sila berhati-hati dan pastikan syarat pengendalian dan penyimpanan dipenuhi.
- Peranti ini tidak sesuai untuk digunakan pada wanita hamil, pesakit dengan implan, peranti elektronik (cth. perentak jantung atau defibrilator), pesakit dengan praeklampsia, degupan ventrikel pramatang, pemfibrilan atrium, periferal, pesakit arteri dan pesakit yang menjalani terapi intravaskular atau pintasan arteriovena atau orang yang melakukan mastektomi. Sila dapatkan nasihat doktor anda sebelum menggunakan unit ini jika anda menghidapi pesakit.
- Peranti ini tidak bertujuan untuk pengangkutan pesakit di luar kemudahan penjagaan kesihatan.
- Peranti ini bertujuan untuk mengukur dan memantau tekanan darah arteri pada lengan atas tak invasif. Peranti tidak bertujuan untuk digunakan pada kekangan selain lengan atas atau untuk fungsi selain daripada mendapatkan pengukuran tekanan darah.
- Jangan ambil sebarang langkah terapeutik berdasarkan pengukuran sendiri. Jangan sekali-kali mengubah dos ubat yang ditetapkan oleh doktor. Jika anda sedang mengambil ubat, rujuk doktor anda untuk menentukan masa yang paling sesuai untuk mengukur tekanan darah anda. Hubungi doktor anda jika anda mempunyai sebarang soalan lanjut tentang pengukuran tekanan darah dengan peranti ini.
- Ketidakteraturan nadi atau aritmia boleh menyebabkan kesukaran merekodkan bacaan yang betul apabila ukuran diambil menggunakan peranti tekanan darah osilometrik. Peranti ini dilengkapi secara elektronik untuk mengesan aritmia yang ditunjukkan dengan ikon . Dalam kes ini, hubungi doktor anda.
- Seperti mana-mana peranti pengukuran tekanan darah osilometrik yang lain, keadaan perubahan tertentu boleh menjejaskan ketepatan pengukuran, antara lain: aritmia kardium, tekanan darah rendah, gangguan peredaran darah, keadaan kejut, kencing manis, kehamilan, praeklampsia dll. Sentiasa berjumpa doktor sebelum anda menggunakan peranti.
- Berikan perhatian semasa penggunaan dan penyimpanan, kabel dan hos udara tidak akan menyebabkan tercekik.
- Jangan sekali-kali bengkokkan hos udara semasa digunakan kerana ini boleh mengakibatkan kecederaan. Juga jangan sekali-kali memicit atau menyekat hos udara dengan apa-apa cara sekalipun.
- Jangan ambil ukuran, jika sebarang peralatan lain digunakan pada anggota yang sama untuk pemantauan. Ini boleh menyebabkan gangguan atau kegagalan.
- Pengukuran yang terlalu kerap dan berturut-turut boleh menyebabkan gangguan dalam peredaran darah dan kecederaan.
- Peranti ini tidak boleh digunakan dengan peralatan pembedahan pada masa yang sama.
- Jangan letakkan kaf di atas luka. Jika tidak, ini boleh menyebabkan kecederaan selanjutnya.
- Apabila berlaku kerosakan yang jarang berlaku yang menyebabkan kaf kekal mengembang sepenuhnya semasa pengukuran, buka kaf dengan segera. Tekanan tinggi yang berpanjangan (tekanan kaf >300 mmHg atau tekanan malar >15 mmHg selama lebih daripada 3 minit) dikenakan pada lengan boleh menyebabkan ekimosis.
- Untuk mengesahkan penentuan peranti, hubungi khidmat pelanggan.
- Peranti ini tidak sesuai untuk pemantauan berterusan semasa kecemasan atau operasi perubahan - risiko kecederaan!
- Jangan gunakan peralatan yang terdapat gas mudah terbakar (seperti gas anestetik, oksigen atau hidrogen).
- Sebelum digunakan, pastikan peranti berfungsi dengan selamat dan berfungsi dengan baik. Jangan servis atau selenggara semasa peranti sedang digunakan.
- Periksa peranti untuk kerosakan. Penggunaan peranti yang rosak boleh mengakibatkan kecederaan, bacaan yang salah atau bahaya yang serius.
- Unit ini tidak boleh dikedalakan di sekitar peralatan yang mengeluarkan sinaran elektrik yang kuat seperti pemancar radio atau telefon mudah alih. Ini boleh menjejaskan fungsi yang betul (lihat "Kecerasan elektromagnet").
- Peranti dan komponen peranti ini sesuai untuk digunakan dalam persekitaran pesakit. Jika anda alah kepada poliester, nilon atau plastik, sila jangan gunakan peranti ini.
- Jika anda mengalami ketidaktelesaan semasa pengukuran, seperti sakit di bahagian atas lengan atau aduan lain, tekan butang MULA/BERHENTI (START/STOP) untuk melepaskan udara serta-merta dari kaf. Longgarkan kaf dan keluarkan dari lengan anda.
- Jika tekanan kaf mencapai 300 mmHg, unit akan mengempis secara automatik. Sekiranya kaf tidak mengempis apabila tekanan mencapai 300 mmHg, tanggalkan kaf dari lengan dan tekan butang MULA/BERHENTI (START/STOP) untuk menghentikan inflasi.
- Jangan basuh kaf dalam mesin basuh atau pembersih pinggan mangkuk!
- Hayat perkhidmatan kaf mungkin berbeza mengikut kekerapan pembersihan, keadaan kulit dan keadaan penyimpanan. Hayat perkhidmatan biasa ialah 10,000 kali.
- Anda disyorkan untuk memeriksa prestasi peranti setiap 2 tahun serta selepas penyelenggaraan dan pembaikan. Hubungi khidmat pelanggan untuk mengetahui lebih lanjut.
- Jangan sentuh output bateri dan pesakit secara serentak.
- Sila jangan cuba membaiki unit sendiri sekiranya berlaku malfungsi. Hanya pembaikan yang dijalankan oleh pusat perkhidmatan dibenarkan.
- Sila pastikan unit dijauhkan daripada kanak-kanak dan haiwan peliharaan. Menelan bahagian kecil seperti beg bungkusan, bateri, penutup bateri dan sebagainya boleh menyebabkan kelemasan.
- Hanya gunakan alat tambahan asli atau alat ganti daripada pengilang. Bahagian lain boleh merosakkan peranti atau boleh menyebabkan kecederaan diri.
- Sila laporkan kepada **medisana** jika berlaku sebarang operasi atau kejadian yang tidak dijangka.
- Pembinaan peranti mungkin membenarkan sambungan secara tidak sengaja kepada sistem cecair intravaskular, membolehkan udara dipam ke dalam saluran darah - risiko kecederaan!
- Hanya gunakan peranti di bawah syarat yang dinyatakan dalam butiran teknikal. Jika tidak, jangka hayat dan prestasi peranti boleh terjejas.
- Sekurang-kurangnya 30 minit diperlukan untuk peralatan ME memamakan daripada suhu penyimpanan minimum antara penggunaan sehingga peranti sedia untuk kegunaan yang dimaksudkan.
- Sekurang-kurangnya 30 minit diperlukan untuk peralatan ME menyejuk daripada suhu penyimpanan minimum antara penggunaan sehingga peranti bersedia untuk kegunaan yang dimaksudkan.
- Jika unit ini tidak akan digunakan untuk tempoh yang lama, sila keluarkan bateri.

**MAKLUMAT KESELAMATAN BATERI**

- Jangan buka bateri!
- Baharu bateri apabila ikon bateri muncul pada paparan.
- Keluarkan bateri yang dinyahcas daripada peranti dengan segera, kerana bateri boleh bocor dan merosakkan peranti!
- Peningkatan risiko kebocoran, elakkan daripada terkena kulit, mata dan membran mukus! Jika asid bateri terkena mana-mana bahagian ini, bilas kawasan yang terjejas dengan air tawar yang melimpah dan dapatkan rawatan perubahan dengan segera!
- Jika bateri telah ditelan dapatkan rawatan perubahan dengan segera!
- Gantikan semua bateri serentak!
- Hanya gantikan dengan bateri jenis yang sama, jangan sekali-kali menggunakan jenis bateri yang berbeza bersama-sama atau bateri terpakai dengan yang baharu.
- Masukkan bateri dengan betul, perhatikan kecutuban!
- Jauhkan bateri daripada capaian kanak-kanak!
- Jangan cuba mengecacs semula bateri, jangan jadikan litar pintas dan jangan buang ke dalam api! **Terdapat bahaya letupan!**
- Jangan buang bateri terpakai ke dalam sampah rumah; letakkan bateri dalam bekas sisa berbahaya atau bawa ke tempat pengumpulan bateri, di kedai tempat bateri dibeli!

**Unit dan Paparan LC**

- 1 Kaf
- 2 Hos udara
- 3 Penyambung untuk hos
- 4 Petak bateri (di bahagian belakang)
- 5 Butang MEM
- 6 Butang SET
- 7 Butang MULA/BERHENTI (START/STOP)
- 8 Port Jenis C
- 9 Tekanan sistolik
- 10 Tekanan diastolik
- 11 Paparan aritmia
- 12 Masa/Tarikh
- 13 Penunjuk Tekanan Darah (hijau - kuning - jingga - merah)
- 14 Memori
- 15 Paparan nilai purata ("AVG")
- 16 ID Pengguna (1 / 2 / Tetamu)
- 17 Pegasanan kesesuaian kaf
- 18 Simbol Bateri
- 19 Penunjuk pergerakan
- 20 Nadi

**Skop bekalan**

- Sila semak terlebih dahulu bahawa peranti lengkap dan tidak rosak dalam apa-apa jua cara. Sekiranya terdapat keraguan, jangan gunakan peranti dan hubungi pengedar anda atau pusat perkhidmatan anda. Bahagian berikut disertakan:
- 1 Pemantau tekanan darah lengan**medisana BU 566**
  - 1 kaf dengan tiub udara
  - 1 kantung penyimpanan
  - 4 bateri (jenis AAA, LR03) 1.5V
  - 1 manual arahan

**AMARAN - Sila pastikan bahawa bungkusan politena dijauhkan daripada kanak-kanak! Risiko kelesaman!**

**Bagaimanakah tekanan darah diukur?**

Pemantau tekanan darah lengan**medisana** ini ialah peranti yang digunakan untuk mengukur tekanan darah di bahagian atas lengan. Pengukuran dilakukan oleh mikroproses - sudah dilakukan semasa proses mengembangkan kaf. Peranti mengesan sistole dan pengukuran diselesaikan lebih awal daripada menggunakan kaedah pengukuran konvensional. Akibatnya, tekanan inflasi berlebihan yang tidak perlu dalam kaf dihalang. Selain itu, peranti anda dapat mengecam degupan jantung yang tidak teratur (dipanggil aritmia), yang mungkin menjejaskan pengukuran. Sekiranya aritmia telah dikesan, simbol masing-masing akan muncul dalam paparan unit.

**Pengelasan tekanan darah**

| sistolik mmHg | diastolik mmHg |                             | Penunjuk tekanan darah |
|---------------|----------------|-----------------------------|------------------------|
| ≥ 180         | ≥ 110          | hipertensi yang serius      | merah                  |
| 160 - 179     | 100 - 109      | hipertensi sederhana        | jingga                 |
| 140 - 159     | 90 - 99        | hipertensi ringan           | kuning                 |
| 130 - 139     | 85 - 89        | tekanan darah normal tinggi | hijau                  |
| 120 - 129     | 80 - 84        | tekanan darah normal        | hijau                  |
| < 120         | < 80           | tekanan darah optimum       | hijau                  |

**AMARAN - Tekanan darah yang terlalu rendah mewakili risiko kesihatan yang sama bahayanya dengan tekanan darah yang terlalu tinggi! Rasa pening boleh menyebabkan timbulnya situasi berbahaya (cth. di tangga atau semasa dalam lalu lintas)!**

**Mempengaruhi dan menilai bacaan**

- Ukur tekanan darah dan beberapa kali, kemudian rekod dan bandingkan hasil yang diperolehi. Jangan membuat sebarang kesimpulan daripada satu bacaan.
- Bacaan tekanan darah anda hendaklah sentiasa dinilai oleh doktor yang juga biasa dengan sejarah perubahan peribadi anda. Apabila menggunakan unit dengan kerap dan merekodkan nilai unit doktor anda, anda harus melawat doktor dari semasa ke semasa untuk memastikan doktor anda mengetahui perkembangan terkini.
- Semasa mengambil bacaan, ingat bahawa nilai raman dipengaruhi oleh beberapa faktor. Merokok, pengambilan alkohol, dan aktiviti fizikal mempengaruhi nilai yang diukur dalam pelbagai cara.
- Ukur tekanan darah anda sebelum makan.
- Sebelum mengambil bacaan, biarkan diri anda berehat sekurang-kurangnya lima minit.
- Jika bacaan sistolik dan diastolik kelihatan luar biasa (terlalu tinggi atau terlalu rendah) untuk beberapa kali, walaupun penggunaan unit yang betul, sila maklumkan kepada doktor anda. Ini juga terpakai untuk kejadian yang jarang berlaku apabila nadi yang tidak teratur atau sangat lemah menghalang anda daripada mengambil bacaan.

**Bermula**

**Memasukkan/menukar bateri**

Anda mesti memasukkan bateri yang disediakan sebelum anda boleh menggunakan unit anda. Penutup petak bateri terletak di bahagian bawah unit. Buka, keluarkan dan masukkan bateri 4 x 1,5 V, jenis AAA / LR03 yang dibekalkan. Pastikan ketepatan yang betul semasa memasukkan bateri (seperti yang ditanda di dalam petak bateri). Tutup petak bateri. Gantikan bateri jika simbol tukar bateri dan "Lo" muncul pada paparan atau jika tiada apa-apa muncul pada paparan selepas unit dithidupkan.

Sambungan Jenis C untuk Bekalan Kuasa

Sebagai tambahan kepada bateri, kuasa juga boleh dibekalkan dengan memalamkan dalam bekalan kuasa luaran D.C. 5V melalui port Jenis C. (Kabel pengecas Jenis C disertakan dalam bungkusan)

**Tetapan**

**Menetapkan tarikh dan masa**

Apabila unit dimatikan, tekan dan tahan butang SET selama 3 saat untuk memasuki mod bagi tetapan tahun. Tekan butang MEM atau butang SET untuk menukar [TAHUN] (YEAR). Setiap tekan akan menambah atau mengurangkan satu nombor secara kitaran. Apabila anda mendapat tahun yang sesuai, tekan butang "MULA/BERHENTI" (START/STOP) untuk menetapkan dan beralih ke langkah seterusnya. Kemudian format tarikh akan berkelip. Tekan butang MEM atau butang SET tukar format tarikh antara [bulan/hari] (month/day) dengan [hari/bulan] (day/month). Tekan butang "MULA/BERHENTI" (START/STOP) untuk mengesahkan format tarikh, kemudian [Bulan] (Month) akan berkelip. Selepas itu, anda boleh meneruskan dengan tetapan bulan/tarikh, diikuti dengan tetapan format masa (12 atau 24 jam), serta jam dan minit. Laraskan angka yang sepadan dengan sewajarnya. Apabila selesai, "SELESAI" (DONE) muncul pada paparan bersama-sama dengan nilai yang dilaraskan. Selepas itu, peranti akan dimatikan.

**Tetapan memori pengukuran**

Pemantau tekanan darah lengan**medisana** mempunyai 2 memori berasingan, setiap satu dengan kapasiti 199 slot memori. Dengan menekan butang SET apabila peranti dimatikan, anda boleh memilih antara Pengguna 1 / Pengguna 2 / Tetamu. ID Pengguna akan berkelip. Tekan butang "MULA/BERHENTI" (START/STOP) untuk mengesahkan ID pengguna yang dipilih, peranti akan memasuki ukuran secara automatik.

**Memasang kaf**

1. Sambungkan hos udara ke penyambung di sebelah kiri peranti.
2. Luncurkan hujung terbuka kaf melalui penutup logam supaya pengikat Velcro berada di bahagian luar dan menjadi bentuk silinder (Rajah 1). Luncurkan kaf ke atas lengan atas kiri anda.
3. Letakkan hos udara di tengah lengan dan sejajar dengan jari tengah anda (Rajah 2) (a). Bahagian tepi bawah kaf hendaklah 2 - 3 cm di atas lipatan siku. (b). Tarik kaf dengan ketat dan tutup pengikat Velcro (c).
4. Ukur tekanan darah pada lengan kosong anda.
5. Hanya letakkan kaf pada lengan kanan jika kaf tidak boleh digunakan pada lengan kiri. Sentiasa lakukan ukuran pada lengan yang sama.
6. Kedudukan mengukur yang betul untuk duduk (Rajah 3).

**Mengambil ukuran tekanan darah**

1. Selepas kaf diletakkan dengan betul, pengukuran boleh dimulakan.
2. Hidupkan unit dengan menekan butang MULA/BERHENTI (START/STOP) .
3. Peranti kemudian secara automatik mengembangkan kaf perlahan-lahan untuk mengukur tekanan darah anda. Tekanan yang semakin meningkat dalam kaf ditunjukkan pada paparan.
3. Apabila peranti mengesan isyarat, simbol jantung pada paparan mula berkelip. Jika keputusan ditentukan, peranti perlahan-lahan akan melepaskan udara dari kaf. Tekanan darah sistolik dan diastolik serta nilai nadi dengan nilai masa muncul pada paparan.
4. Penunjuk tekanan darah berkelip di sebelah bar berwarna yang berkaitan bergantung pada pengelasan tekanan darah.
5. Jika unit telah mengesan degupan jantung yang tidak teratur, paparan aritmia juga muncul
6. Jika terdapat pergerakan badan yang berlebihan dikesan, terutamanya pada lengan yang dipakaikan kaf, penunjuk Pergerakan akan berkelip kira-kira 5 saat dan mengesan semula. Jika tiada pergerakan badan yang berlebihan dikesan, simbol akan hilang. Jika masih terdapat pergerakan badan yang berlebihan dikesan, penunjuk Pergerakan akan dipaparkan dalam hasil pengukuran.
7. Bacaan disimpan secara automatik dalam memori .
8. Tekan butang "MULA/BERHENTI" (START/STOP) untuk mematikan kuasa, atau peranti akan dimatikan dalam masa 1 minit.

**Memaparkan hasil yang disimpan**

Unit ini mempunyai 2 memori berasingan, setiap satu dengan kapasiti 199 slot memori. Hasil disimpan secara automatik dalam memori yang dipilih oleh pengguna. Tekan butang MEM apabila kuasa dimatikan, untuk memanggil nilai terakhir yang disimpan. Nilai purata bagi 3 ukuran terakhir muncul pada paparan (jika sudah 3 ukuran disimpan untuk pengguna masing-masing). Tekan butang MEM sekali lagi untuk memanggil nilai ukuran terakhir. Menekan butang MEM atau butang SET berulang kali memaparkan nilai masing-masing yang diukur dalam ukuran lain. Mod ingat kembali memori boleh dikeluarkan pada bila-bila masa dengan menekan butang MULA/BERHENTI (START/STOP) , yang juga akan memamatkan unit. Nilai tertua dipaparkan jika 199 nilai yang diukur telah disimpan dalam memori dan nilai baharu disimpan.

**Memadamkan nilai yang disimpan**

Masukkan mod ingat kembali memori seperti yang diterangkan di atas dan biarkan peranti menunjukkan nilai yang anda mahu padamkan. Sekarang tekan dan tahan butang MULA/BERHENTI (START/STOP) untuk lebih kurang 3 saat. LCD akan memaparkan "dEL y" dan berkelip (ciri ini tidak berfungsi semasa mod paparan nilai purata "AVG"). Sekarang tekan dan tahan butang MULA/BERHENTI (START/STOP) untuk memadamkan nilai. Jika anda ingin memadamkan SEMUA nilai yang disimpan pengguna, tekan dan tahan butang dan butang SET semasa mod ingat kembali memori "dEL ALL" akan dipaparkan. Sekarang tekan butang MULA/BERHENTI (START/STOP) untuk memadamkan nilai. Untuk keluar dari mod pemadaman, anda boleh menekan butang pada bila-bila masa.

| Mesej ralat dan membetulkan ralat Paparan | Sebab  | Penyelesaian  |
|---|--|---|
| Tiada paparan                             | Bateri mungkin habis atau dimasukkan secara salah. Periksa sama ada sambungan kuasa telah diwujudkan dengan betul. | Masukkan bateri baharu. Masukkan bateri mengikut arahan yang diberikan.                                     |
| bAt Lo &                                  | Bateri lemah   | Bateri lemah atau kosong. Gantikan kesemua 4 bateri dengan yang baharu (1.5V, jenis AAA / LR03).            |
| E 1                                       | Kaf tidak dipasang dengan betul  | Balut kaf dengan betul. Ukur semula dengan cara yang betul.   |
| E 2 atau                                  | Pergerakan badan yang berlebihan (seperti menggoncang lengan dengan kaf dihidupkan) atau nadi lemah dikesan.       | Rehat 30 minit dan ukur semula dengan cara yang betul. Jangan bercakap atau bergerak semasa pengukuran.     |
| E 3                                       | Nadi tidak dapat dikesan   | Balut kaf dengan betul. Longgarkan pakaian di lengan. Ukur semula dengan cara yang betul.                   |
| E04                                       | Pengukuran gagal   | Balut kaf dengan betul. Ukur semula dengan cara yang betul.   |
| EExx                                      | Ralat penentuukuran ("xx" boleh menjadi angka, cth. 01, 02 dll.)   | Matikan pemantau dan ukur semula. Jika EExx masih muncul , sila hubungi khidmat pelanggan.                  |
| keluar                                    | Luar daripada julat ukuran   | Tenangkan diri sekejap. Pasangkan semula kaf dan ukur semula. Jika masalah berterusan, hubungi doktor anda. |

**Pembersihan dan penyelenggaraan**

Tanggalkan bateri sebelum membersihkan unit. Bersihkan unit menggunakan kain lembut yang dibasahkan sedikit dengan larutan sabun lembut. Jangan sekali-kali menggunakan agen pembersih yang meelas, alkohol, nafta, pencair atau petrol dll. Jangan sekali-kali merendahkan unit atau mana-mana komponen dalam air. Berhati-hati agar tiada sebarang kelembapan dalam unit utama. Jangan basahkan kaf atau cuba membersihkan kaf dengan air. Menggunakan kain kering, lap perlahan-lahan sebarang kelembapan berlebihan yang mungkin tinggal pada kaf. Baringkan kaf rata dalam kedudukan tidak bergulung dan biarkan kaf kering di udara. Jangan dedahkan unit kepada cahaya matahari langsung; lindungi daripada kotoran dan kelembapan. Jangan dedahkan unit kepada suhu panas atau sejuk yang melampau. Simpan peranti dalam bekas simpanan apabila tidak digunakan. Simpan unit di lokasi yang bersih dan kering.

**Pelupusan**

- Produk ini tidak boleh dilupuskan bersama dengan sisa domestik. Semua pengguna diwajibkan untuk menyerahkan semua peranti elektronik atau elektronik, tidak kira sama ada peranti mengandungi bahan toksik atau tidak, di pusat pengumpulan perbandaran atau komersial supaya boleh dilupuskan dengan cara yang boleh diterima untuk alam sekitar.
- Tanggalkan bateri sebelum melupuskan peranti/unit. Jangan lupuskan bateri lama dengan sisa isi rumah anda, tetapi di stesen pengumpulan bateri di tapak kitar semula atau di kedai. Rujuk pihak berkuasa tempatan anda atau atau pembekal anda untuk mendapatkan maklumat tentang pelupusan.

**Garis Panduan / Piawaian**

Pemantau tekanan darah langanini memenuhi keperluan piawaian EU untuk Pemantau tekanan darah lenganbukan infasif. Peranti ini diperakui mengikut Garis Panduan EC dan membawa simbol CE (simbol pematuhan) "CE 0297". Pemantau tekanan darah langansepadun dengan piawaian Eropah EN 60601-1, EN 60601-1-2, EN 81060-2 dan EN 80601-2-30. Spesifikasi Garis Panduan EU "93/42/EEC Arahan Majlis bertarikh 14 Jun 1993 tentang peranti perubahan" dipenuhi.

**Spesifikasi teknikal**

|  |   |
|--|---|
| Nama dan huraian:                              | Pemantau tekanan darah lengan <b>medisana BU 566</b>                          |
| Sistem paparan:                                | Paparan digital   |
| Slot memori:                                   | 2 x 199   |
| Kaedah pengukuran:                             | Osilometrik   |
| Bekalan kuasa:                                 | Bateri 6 V <sup>---</sup> , 4 x 1.5 V AAA LR03, dikuasakan secara dalaman     |
| Tekanan kaf yang dinilai:                      | 0 - 299 mmHg (0 - 39.9 kPa)   |
| Tekanan pengukuran:                            | SYS: 60-230mmHg (8-30.7kPa); DIA: 40-130mmHg (5.3-17.3kPa)                    |
| Julat pengukuran nadi:                         | 40 – 199 denyutan seminit   |
| Toleransi ralat maksimum untuk tekanan statik: | ± 3 mmHg  |
| Toleransi ralat maksimum untuk kadar nadi:     | ± 5% daripada nilai   |
| Penjanaan tekanan:                             | Automatik dengan pam  |
| Deflasi:                                       | Automatik   |
| Penandaan perlindungan terhadap zarah dan air: | IP21  |
| Keadaan operasi:                               | +5°C hingga +40°C, 15 hingga 90% kelembapan relatif, bukan pemeluwapan,       |
| Keadaan penyimpanan:                           | 700-1060 hPa tekanan atmosfera  |
| Dimensi (P x L x T):                           | -20°C hingga +60°C, kelembapan relatif ≤ 93% lebih kurang 130.6 x 94 x 31.7mm |
| Kaf:   | 22 - 42 cm untuk orang dewasa   |
| Berat (unit utama):                            | lebih kurang 184g tanpa bateri  |
| Nombor item:                                   | 48143   |
| Nombor EAN:                                    | 40 15588 48143 7  |
| Aksesori:                                      | Kaf ganti<br>No. Item 51299 / EAN 40 15588 51299 5                            |

**Selaras dengan dasar penambahbaikan produk berterusan kami, kami berhak untuk membuat perubahan teknikal dan visual tanpa notis.**

**Syarat waranti dan pembaikan**  
Sila hubungi pembekal anda atau pusat perkhidmatan sekiranya terdapat tuntutan di bawah waranti . Jika anda perlu memulangkan unit, sila sertakan salinan resit anda dan nyatakan jenis kecacatan. Syarat waranti berikut dikenakan:

1. Tempoh waranti untuk produk **medisana** ialah 3 tahun dari tarikh pembelian. Dalam kes tuntutan waranti, tarikh pembelian perlu dibuktikan melalui resit jualan atau invoice.
2. Kecacatan pada bahan atau mutu kerja akan dikeluarkan secara percuma dalam tempoh waranti.
3. Pembaikan di bawah waranti tidak memanjangkan tempoh waranti sama ada untuk unit atau untuk alat ganti.
4. Perkara berikut dicekualikan di bawah waranti:
  - a. Semua kerosakan yang timbul akibat penggunaan yang tidak betul, cth. tidak mematuhi arahan pengguna.
  - b. Semua kerosakan yang disebabkan oleh pembaikan atau pengubahsuaian oleh pelanggan atau pihak ketiga yang tidak dibenarkan.
  - c. Kerosakan yang timbul semasa pengangkutan dari pengilang kepada pengguna atau semasa pengangkutan ke pusat perkhidmatan.
  - d. Aksesori yang tertakluk pada haus dan lusuh biasa.
5. Liabiliti untuk kerugian akibat langsung atau tidak langsung yang disebabkan oleh unit dicekualikan walaupun kerosakan pada unit diterima sebagai tuntutan waranti.

**Guangdong Transtek Medical Electronics Co., Ltd.**  
Zon A, No.105, Dongli Road, Torch Development District, 528437 Zhongshan, Guangdong, China

**MDSS GmbH**  
Schiffgraben 41, 30175 Hannover, Jerman

**Zuellig Pharma Sdn Bhd**  
No. 15 Persiaran Pasak Bumi, Section U8, Perindustrian Bukit Jelutong, 40150 Shah Alam, Selangor Darul Ehsan, Malaysia  
Tel: +6 03 5566 2288