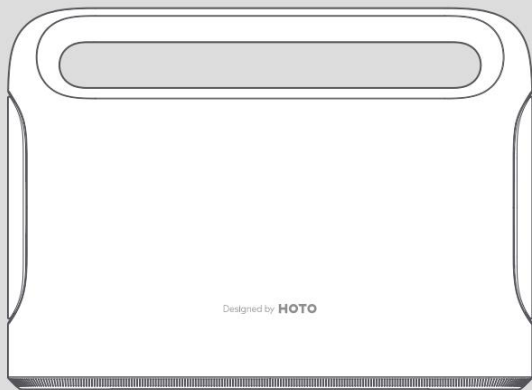


# HOTO 40PC Household Tool Kit



**Make It  
Happen**



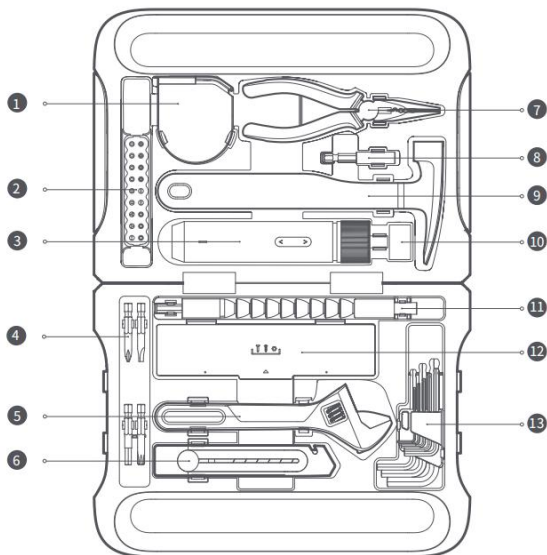
Visit our website for more Cool Tools  
( [www.hototools.com](http://www.hototools.com) )

# 01 Product Introduction

Thanks for using HOTO 40PC Household Tool Kit.

Please carefully read this Manual before using the product and keep it properly.

The product picture is for illustrative purposes only. Please refer to the actual product.



1 Measuring Tape

2 Short Steel Bit Set

3 Electric Screwdriver

4 Long Steel Bit Set

5 Adjustable Spanner

6 Utility Knife

7 Needle-nose Pliers

8 Extension Rod

9 Claw Hammer

10 Hammer Cap

11 Universal Flexible Shaft

12 Storage Box

13 Hex Key Set

## 02 Instructions for Use

### 2.1 Electric Screwdriver

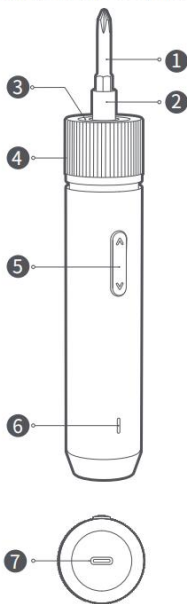
Activation/deactivation: Select the appropriate gear, press the "∧" button to activate the product, and begin screwing in. Press the "∨" button to unscrew. When the work is complete, switch to "OFF" to power off the product.

Torque adjustment: Switch the torque adjustment knob to "I" to set the product to low torque mode. Switch the torque adjustment knob to "II" to set the product to medium torque mode. Switch the torque adjustment knob to "III" to set the product to high torque mode.

Lighting mode: After the product is activated, the LED light will turn on automatically. Release the button, and after a 10-second delay, the light will turn off automatically. Switch to "OFF" to immediately turn off the light.

Indicator light status: When the product is working, the indicator light goes off when the battery is full, and the red indicator light flashes when the battery level is below 20%. During charging, the white indicator light breathes. Once charging is complete, the white indicator light stays on.

Cautions: The electric screwdriver uses a Type-C charging port. To better protect the battery lifespan and ensure safety, do not power on or use the product while charging.



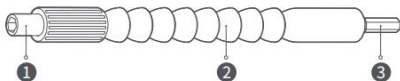
- ① Screwdriver Bit
- ② Bit Holder
- ③ Light
- ④ Torque Knob
- ⑤ Forward/Reverse rotation button
- ⑥ Charging Indicator
- ⑦ Type-C Charging Port

## 2.2 Universal Flexible Shaft

The universal flexible shaft should be used with the electric straight-handle screwdriver in the kit. During use, attach the steel bit to the shaft, then connect the shaft to the electric screwdriver. This allows the electric screwdriver to be used at different angles and positions.

### Cautions

1. Before using the universal flexible shaft for screw-in, securely attach the shaft to the electric straight-handle screwdriver. Before removing the shaft, set the screwdriver to the "OFF" position to prevent accidents.
2. During use, avoid excessive bending or twisting of the shaft to prevent damage to the internal structure.
3. During use, make the head of the shaft always perpendicular to the surface being screwed to ensure smooth rotation and protect the internal structure of the shaft.
4. When fastening or removing screws on high-precision components, it is not recommended to use the shaft as it may affect operational accuracy and stability.



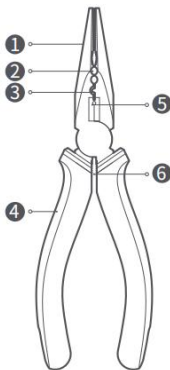
- ① Outer Hexagon Handle    ② Plastic Connecting Shaft    ③ Inner Hexagon Handle

## 2.3 Needle-nose Pliers

The needle-nose pliers offer a variety of functions, including gripping and holding workpieces, twisting, bending, cutting metal wires, stripping electrical wires, and crimping terminals. The body is equipped with a light-pull spring mechanism that automatically resets after use.

### Cautions

1. Wear protective goggles when cutting and tensioning cables.
2. Do not use the needle-nose pliers as a hammer.
3. Regularly maintain the needle-nose pliers.
4. Lubricate the hinge area.
5. Do not operate while live.



- ① Mouth  
② Gripping and Holding Slot  
③ Crimping Slot  
④ Handle  
⑤ Stripping Slot  
⑥ Spring

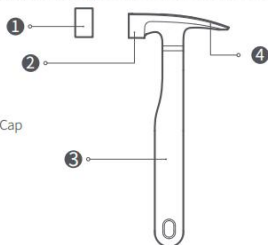
## 2.4 Claw Hammer

The flat surface of the claw hammer head is the striking face, suitable for directly striking hard objects. The claw end is designed for nail removal. The hammer also comes with a rubber cap. It is recommended to use the hammer with the rubber cap when striking soft materials or surfaces that are prone to scratching.

### Cautions

1. When striking, ensure the hammer face is as level as possible with the surface of the object being struck.
2. Do not strike two hammers against each other.
3. If the hammerhead becomes loose, do not use it.
4. Do not use the hammer if the handle is damaged.
5. Do not use the rubber hammerhead to strike nails.

- 1 Rubber Hammer Cap
- 2 Striking Face
- 3 Hammer Handle
- 4 V-shaped Claw

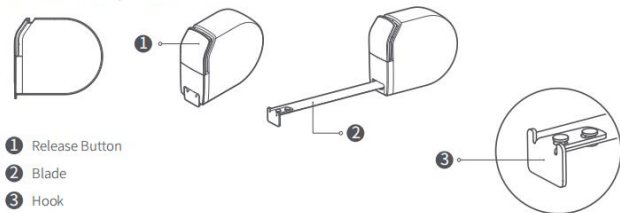


## 2.5 Measuring Tape

To use, simply pull out the measuring tape for measurement. Release the tape, and it will automatically stop. Press the retract button to retract the tape automatically. The measuring tape features a movable front hook, which includes a distance correction function to eliminate measurement errors caused by the thickness of the hook.

### Cautions

1. The maximum measurement range is 3 meters. Do not exceed this range when pulling out the tape.
2. Do not grasp the tape while in use, and avoid touching the edges of the tape during retraction to prevent cuts.
3. If the tape is damaged or broken, do not use it.



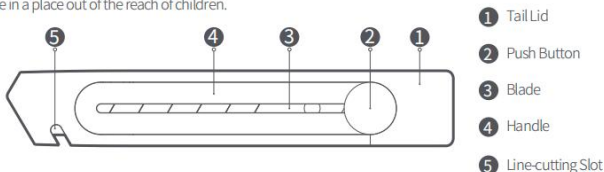
- 1 Release Button
- 2 Blade
- 3 Hook

## 2.6 Utility Knife

The utility knife is equipped with an 8-segment breakable blade and features a line-cutting slot for line cutting tasks.

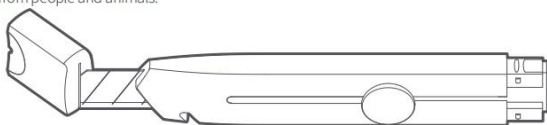
### Cautions

1. Use the utility knife's tail lid to break off the blade. Please ensure safety during operation.
2. Always retract the blade back into the handle after use.
3. Keep away from children as it may cause injuries.
4. Store in a place out of the reach of children.



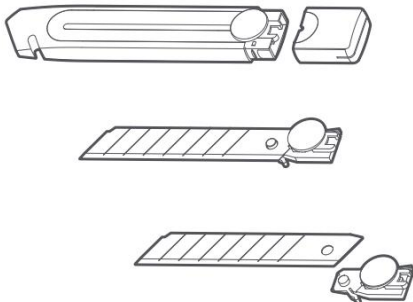
Blade break-off: Remove the tail lid and break off the blade in the direction shown in the diagram.

Caution: When breaking the blade, wear protective gear such as gloves and safety glasses, and keep away from people and animals.



Blade replacement: Remove the tail lid, then push the push button at the rear to eject the blade and replace it.

Caution: New blades do not come with the product.

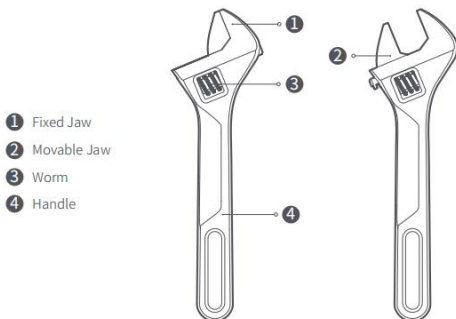


## 2.7 Adjustable Spanner

The adjustable spanner can be used to install or remove hex bolts or nuts. Rotate the worm gear to adjust the opening size to tighten the nut. This spanner is suitable for hex bolts or nuts with a size of  $\leq 20\text{mm}$ .

### Cautions

1. When operating, ensure the adjustable spanner opening is properly adjusted to fit the nut. Apply force horizontally to prevent slipping.
3. Do not use the adjustable spanner to strike hard objects.
4. Do not attach a sleeve to the rear of the adjustable spanner to increase leverage, as this may damage the spanner.

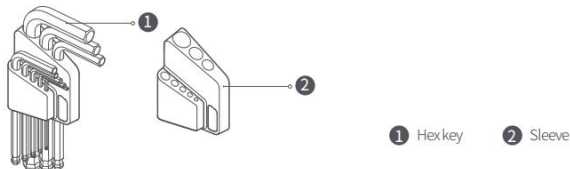


## 2.8 Hex Key Set

The hex key set includes 8 pieces, with each key featuring usable ends on both sides. The specific specifications of the set are: 1.5mm, 2mm, 2.5mm, 3mm, 4mm, 5mm, 6mm and 8mm. Please select the appropriate size for use.

### Cautions

1. Before use, confirm that the size of the key matches the nut.
2. During use, apply force while keeping the key level with the nut to prevent slipping.
3. Do not use the key to strike hard objects.
4. Do not attach a sleeve to the rear of the key to increase leverage, as this may damage the key.



## 2.9 Screwdriver Bit

The set has 22 pieces, including 18 short bits and 4 long bits. The specific specifications are: Short bits C 6.3×25mm, long bits C 6.3×50mm. Please select the appropriate size for use.

### Short bit (1 inch)

Slot: SL4, SL6  
Phillips: PH2, PH3  
Hex: H2, H2.5, H3, H4  
Torx: T10, T15, T20  
Triangle: 2.3

Pozidriv: PZ1, PZ2  
Square: S1, S2  
TW: TW1  
U-shaped: 2.6

### Long bit (2 inch)

Slot: SL5  
Phillips: PH1  
Hex: H5  
Torx: T25

## 2.10 Extension Rod

Use the extension rod with the electric screwdriver. Before use, ensure they are securely connected to each other.

### Cautions

1. Before use, check if the extension rod is in good condition.
2. Do not apply excessive force during use, as this may damage the extension rod.
3. After use, clean the extension rod to prevent water stains, dirt, or other residue that may affect its performance.

## 2.11 Storage Box

The storage box inside the tool kit is for storing small parts.

### Cautions

1. The storage box is for small parts only and should not be used for larger items.
2. Do not place liquids in the storage box.
3. The storage box should not be removed from the tool kit.

# 03 Precautions

---

1. The tools included in this tool kit can be used for tasks such as striking, twisting, measuring, and cutting. Please read all security warnings, instructions, legends and specifications provided about this electric power tool. Violations of any instructions below may result in electric shock or serious injury.
2. Do not use the accessories not specifically designed and recommended by the manufacturer of the tool. Even if the accessories can connect with your electric power tool, safe operation can not be guaranteed.
3. The outer diameter and thickness of accessories must be within the nominal capacity of your electric power tool. Accessories that do not meet the specifications cannot be fully compatible.
4. Bits must be compatible for installation on the spindle or chuck of the electric power tool. If accessories do not match the mounting hardware of the electric power tool, they will be unstable, overly vibrate and then be out of control.
5. Do not use damaged accessories. Check the accessories before each time of use (e.g. check whether there is crack, fracture or excessive wear). If the electric power tool or accessory falls off, please check whether there is damage, or install undamaged accessories. After checking and installing an accessory, please make yourself and others get away from the plane of rotation of the accessory and run the electric power tool with the maximum speed with no load for a minute. During the process of this test, damaged accessories usually separate from the tool.
6. Wear personal protective equipment. Depending on the usage scenario, wear face shield, safety inspection or safety goggles. Where applicable, wear a dust mask, hearing protection, gloves, and a work apron that can protect against flying debris and workpiece fragments. Eye shield must be able to prevent flying chip generated by different operations.
7. Keep unrelated personnel at a safe distance from the work area. Anyone who enters the working area must wear personal protective equipment. Fragments of the workpiece or damaged accessory may fly off and hurt the personnel close to the operating area.

8. Hold the tool in your hand all the time during the process of activation. When the electric motor is accelerated to the maximum speed, its reaction torque may result in the twist of the tool.
9. It is recommended to use a clamp to hold the workpiece during operation. Once the workpiece is secured with the clamp, you can control the tool with one hand or both hands.
10. Do not put down the electric power tool before the accessory completely stops operating. Rotating accessories may collide with other objects, causing the electric power tool to become uncontrollable.
11. After changing the bit or making any adjustment, ensure that the slots, bits or any other adjusted parts have been securely fastened. If the adjusting equipment gets loose, it may accidentally move and be out of control, and the loosen rotating accessory may be thrown out violently.
12. Do not run the tool when the electric power tool is at your side. Any accidental contact can make the rotating accessory entangle your clothes and drag the accessory to your side.
13. It is recommended to regularly clean the electric power tool and charging port. Excessive metal dust accumulation may lead to electrical accidents.
14. Do not operate the electric power tool near combustible materials. Spark may light these materials.
15. Do not use accessories needing liquid coolant. Using water or other liquid coolants may result in electric shock or serious injury.

## 04 General Power Tool Safety Warnings

---

**WARNING! Read all safety warnings, instructions, illustrations and specifications provided with this power tool.** Failure to follow all instructions listed below may result in electric shock, fire and/or serious injury.

**Save all warnings and instructions for future reference.**

The term "power tool" in the warnings refers to your mains-operated (corded) power tool or battery-operated (cordless) power tool.

### Work Area Safety

- **Keep work area clean and well lit.** Cluttered or dark areas invite accidents.
- **Do not operate power tools in explosive atmospheres, such as in the presence of flammable liquids, gases or dust.** Power tools create sparks which may ignite the dust or fumes.
- **Keep children and bystanders away while operating a power tool.** Distractions can cause you to lose control.

### Electrical safety

- **Power tool plugs must match the outlet. Never modify the plug in any way. Do not use any adapter plugs with earthed (grounded) power tools.** Unmodified plugs and matching outlets will reduce risk of electric shock.
- **Avoid body contact with earthed or grounded surfaces, such as pipes, radiators, ranges and refrigerators.** There is an increased risk of electric shock if your body is earthed or grounded.
- **Do not expose power tools to rain or wet conditions.** Water entering a power tool will increase the risk of electric shock.
- **Do not abuse the cord. Never use the cord for carrying, pulling or unplugging the power tool. Keep cord away from heat, oil, sharp edges or moving parts.** Damaged or entangled cords increase the risk of electric shock.
- **When operating a power tool outdoors, use an extension cord suitable for outdoor use.** Use of a cord suitable for outdoor use reduces the risk of electric shock.
- **If operating a power tool in a damp location is unavoidable, use a residual current device (RCD) protected supply.** Use of an RCD reduces the risk of electric shock.

## Personal Safety

- **Stay alert, watch what you are doing and use common sense when operating a power tool. Do not use a power tool while you are tired or under the influence of drugs, alcohol or medication.** A moment of inattention while operating power tools may result in serious personal injury.
- **Use personal protective equipment. Always wear eye protection.** Protective equipment such as a dust mask, non-skid safety shoes, hard hat or hearing protection used for appropriate conditions will reduce personal injuries.
- **Prevent unintentional starting. Ensure the switch is in the off-position before connecting to power source and/or battery pack, picking up or carrying the tool.** Carrying power tools with your finger on the switch or energising power tools that have the switch on invites accidents.
- **Remove any adjusting key or wrench before turning the power tool on.** A wrench or a key left attached to a rotating part of the power tool may result in personal injury.
- **Do not overreach. Keep proper footing and balance at all times.** This enables better control of the power tool in unexpected situations.
- **Dress properly. Do not wear loose clothing or jewellery. Keep your hair and clothing away from moving parts.** Loose clothes, jewellery or long hair can be caught in moving parts.
- **If devices are provided for the connection of dust extraction and collection facilities, ensure these are connected and properly used.** Use of dust collection can reduce dust related hazards.
- **Do not let familiarity gained from frequent use of tools allow you to become complacent and ignore tool safety principles.** A careless action can cause severe injury within a fraction of a second.

## Power Tool Use And Care

- **Do not force the power tool. Use the correct power tool for your application.** The correct power tool will do the job better and safer at the rate for which it was designed.
- **Do not use the power tool if the switch does not turn it on and off.** Any power tool that cannot be controlled with the switch is dangerous and must be repaired.
- **Disconnect the plug from the power source and/or remove the battery pack, if detachable, from the power tool before making any adjustments, changing accessories, or storing power tools.** Such preventive safety measures reduce the risk of starting the power tool accidentally.
- **Store idle power tools out of the reach of children and do not allow persons unfamiliar with the power tool or these instructions to operate the power tool.** Power tools are dangerous in the hands of untrained users.
- **Maintain power tools and accessories. Check for misalignment or binding of moving parts, breakage of parts and any other condition that may affect the power tool's operation. If damaged, have the power tool repaired before use.** Many accidents are caused by poorly maintained power tools.
- **Keep cutting tools sharp and clean.** Properly maintained cutting tools with sharp cutting edges are less likely to bind and are easier to control.
- **Use the power tool, accessories and tool bits etc. in accordance with these instructions, taking into account the working conditions and the work to be performed.** Use of the power tool for operations different from those intended could result in a hazardous situation.
- **Keep handles and grasping surfaces dry, clean and free from oil and grease.** Slippery handles and grasping surfaces do not allow for safe handling and control of the tool in unexpected situations.

## Battery tool use and care

- **Recharge only with the charger specified by the manufacturer.** A charger that is suitable for one type of battery pack may create a risk of fire when used with another battery pack.
- **Use power tools only with specifically designated battery packs.** Use of any other battery packs may create a risk of injury and fire.
- **When battery pack is not in use, keep it away from other metal objects, like paper clips, coins, keys, nails, screws or other small metal objects, that can make a connection from one terminal to another.** Shorting the battery terminals together may cause burns or a fire.
- **Under abusive conditions, liquid may be ejected from the battery; avoid contact. If contact accidentally occurs, flush with water. If liquid contacts eyes, additionally seek medical help.** Liquid ejected from the battery may cause irritation or burns.
- **Do not use a battery pack or tool that is damaged or modified.** Damaged or modified batteries may exhibit unpredictable behavior resulting in fire, explosion or risk of injury.
- **Do not expose a battery pack or tool to fire or excessive temperature.** Exposure to fire or temperature above 130°C may cause explosion.
- **Follow all charging instructions and do not charge the battery pack or tool outside the temperature range specified in the instructions.** Charging improperly or at temperatures outside the specified range may damage the battery and increase the risk of fire.

## Service

- **Have your power tool serviced by a qualified repair person using only identical replacement parts.** This will ensure that the safety of the power tool is maintained.
- **Never service damaged battery packs.** Service of battery packs should only be performed by the manufacturer or authorized service providers.

## SAFETY WARNINGS FOR BATTERY PACK

- **Do not dismantle, open or shred cells or battery pack.**
- **Do not expose battery pack to heat or fire. Avoid storage in direct sunlight.**
- **Do not subject battery pack to mechanical shock.**
- **In the event of battery leaking, do not allow the liquid to come into contact with the skin or eyes. If contact has been made, wash the affected area with copious amounts of water and seek medical advice.**
- **Seek medical advice immediately if a cell or battery pack has been swallowed.**
- **Keep battery pack clean and dry.**
- **Wipe the battery pack terminals with a clean dry cloth if they become dirty.**
- **Battery pack needs to be charged before use. Always refer to this instruction and use the correct charging procedure.**
- **Do not maintain battery pack on charge when not in use.**
- **After extended periods of storage, it may be necessary to charge and discharge the battery pack several times to obtain maximum performance.**
- **Battery pack gives its best performance when it is operated at normal room temperature (20 ° C ± 5 ° C).**
- **When disposing of battery packs, keep battery packs of different electrochemical systems separate from each other.**
- **Retain the original product literature for future reference.**
- **Dispose of properly.**

## Information:

The declared vibration total value(s) and the declared noise emission value(s) have been measured in accordance with a standard test method and may be used for comparing one tool with another; The declared vibration total value(s) and the declared noise emission value(s) may also be used in a preliminary assessment of exposure. The vibration and noise emissions during actual use of the power tool can differ from the declared values depending on the ways in which the tool is used especially what kind of workpiece is processed; and It is necessary to identify safety measures to protect the operator that are based on an estimation of exposure in the actual conditions of use (taking account of all parts of the operating cycle such as the times when the tool is switched off and when it is running idle in addition to the trigger time).

Declaration of the noise emission values according to EN 62841

(considered uncertainty 5 dB(A))

Sound pressure level: 65.8 dB(A)

Sound power level: 72.3 dB(A)

Declaration of the vibration emission according to EN 62841

(considered uncertainty 1.5 m/s<sup>2</sup>): 1.2 m/s<sup>2</sup>

## 05 Faults and troubleshoot

Faults	Possible cause(s)	Solutions
When the power button of the electric straight-handle screwdriver is pressed, the red indicator light flashes.	The battery level is low	Charging
After the power button of the electric straight-handle screwdriver is pressed, the product does not work.	1. The battery runs out 2. The torque knob is in the "OFF" position	1. Charge the product 2. Adjust the torque knob to the desired torque setting
The product cannot be charged.	The charging cable is not properly plugged in or the charging cable is not adaptable	Ensure the charging cable is properly plugged in and use the appropriate adapter for charging
The steel bit cannot be assembled.	The size of the bit is incorrect	Use a bit of the appropriate size

## 06 Product Parameters

Product Name: HOTO 40PC Household Tool Kit

Product Model: QWGJB003

Item Dimensions: 315 × 230 × 70 mm / 12.40 × 9.06 × 2.76 in

Product Net Weight: Approx. 2445g/5.39lb

Product Color: Black

### Electric Screwdriver Specification

Dimensions: 179 × Ø 35mm / 7.05 × Ø 1.38 in

Product Net Weight: Approx. 255 g / 0.56 lb

Charging Temperature: 0 °C ~ 40 °C

Operating Temperature: -5 °C ~ 40 °C

Storage Temperature: -5 °C ~ 40 °C

Maximum Torque: 4N · m

First-gear Torque: 1.2 ± 0.5N · m

Second-gear Torque: 1.5 ± 0.5N · m

Third-gear Torque: 2 ± 0.5N · m

Input Parameter: 5V  1A

Nominal Voltage: 3.7V 

Battery Type: Lithium-ion battery

Battery Capacity: 2000 mAh

Charging Time: 180 mins

Bit Type: C6.3

## Accessory Dimensions

Universal Flexible Shaft	× 1: 220×Ø16mm / 8.66×Ø0.63 in
Needle-nose Plier	× 1: 165×56×16mm/6.50 × 2.20 × 0.63 in
Claw Hammer	× 1: 243×105×24mm/9.57 × 4.13 × 0.94 in
Rubber Cap	× 1: 30×18×29mm/1.18 × 0.71 × 1.14 in
Adjustable Spanner	× 1: 200×58×13mm/7.87 × 2.28 × 0.51 in
Measuring Tape	× 1: 70×63×28mm/2.75in × 2.49in × 1.09in
Utility knife	× 1: 154×26×16mm/6.06 × 1.02 × 0.63 in
Hex key Set	× 1: 107×21×54mm/4.22in × 0.82in × 2.14in
Extension Rod	× 1: 60×Ø10mm/2.36 × Ø0.39 in
Storage box	× 1: 182×41×23mm / 7.18in × 1.61in × 0.91in
Charging Cable	× 1: 300mm (11.8 in) /Type-C/Black

## 07Certification Compliance Information

---



All products bearing this symbol are waste electrical and electronic equipment (WEEE as in directive 2012/19/EU)

which should not be mixed with unsorted household waste. Instead, you should protect human health and the environment by handing over your waste equipment to a designated collection point for the recycling of waste electrical and electronic equipment, appointed by the government or local authorities. Correct disposal and recycling will help prevent potential negative consequences to the environment and human health. Please contact the installer or local authorities for more information about the location as well as terms and conditions of such collection points.



We Shanghai HOTO Technology Co., Ltd., hereby, declares that this equipment is in compliance with the applicable Directives and European Norms, and amendments.

### Federal Communications Commission Supplier's Declaration of Conformity

This supplier's declaration of conformity is hereby for

Product: HOTO 40PC Household Tool Kit

Model Number(s): QWGJB003

Brand/Trade: HOTO

We declare that the above mentioned device has been tested and found in compliance with CFR 47 Part 15 Regulation.

This device complies with part 15 of the FCC Rules. Operation is subject to the following two conditions:

(1) This device may not cause harmful interference, and (2) this device must accept any interference received, including interference that may cause undesired operation.

**Note:** This equipment has been tested and found to comply with the limits for a Class B digital device, pursuant to part 15 of the FCC Rules. These limits are designed to provide reasonable protection against harmful interference in a residential installation. This equipment generates, uses and can radiate radio frequency energy and, if not installed and used in accordance with the instructions, may cause harmful interference to radio communications. However, there is no guarantee that interference will not occur in a particular installation. If this equipment does cause harmful interference to radio or television reception, which can be determined by turning the equipment off and on, the user is encouraged to try to correct the interference by one or more of the following measures:

- Reorient or relocate the receiving antenna.
- Increase the separation between the equipment and receiver.

- Connect the equipment into an outlet on a circuit different from that to which the receiver is connected.
- Consult the dealer or an experienced radio/TV technician for help.

Representative of Responsible Party for SDoC

Company: HOTO (US) TECHNOLOGY CO LTDA

Address: 919 North Market Street, Suite 950, Wilmington DE 19801

Country: U.S.A.

Customer Service (US) : +1 855-577-2659 service@hototools.com

Mon-Fri 9:00am-5:00pm(CST)

**Manufacturer:** Shanghai HOTO Technology Co., Ltd.

Address: Building 45, No.50 Moganshan Road, Shanghai, China

DECLARATION OF CONFORMITY



**EU Declaration of Conformity**

**We**

Shanghai HOTO Technology Co., Ltd.

Declare that the product:

HOTO 40PC Household Tool Kit / QWGB003

Complies with the essential health and safety requirements of the following directives:

2014/30/EU Electromagnetic Compatibility directive

References to the following harmonized standard were made:

EN 55014-1: 2021

EN 55014-2: 2021

EN 61000-3-2:2019/A1:2021

EN 61000-3-3:2013/A2:2021

2011/65/EU+ (EU) 2015/863 Restrictions of the Use of Certain Hazardous Substances in Electrical and Electronic Equipment

Authorised signatory and technical file holder:

Shanghai HOTO Technology Co., Ltd.

Building 45, No.50 Moganshan Road, Shanghai, China

Designed by **HOTO**