

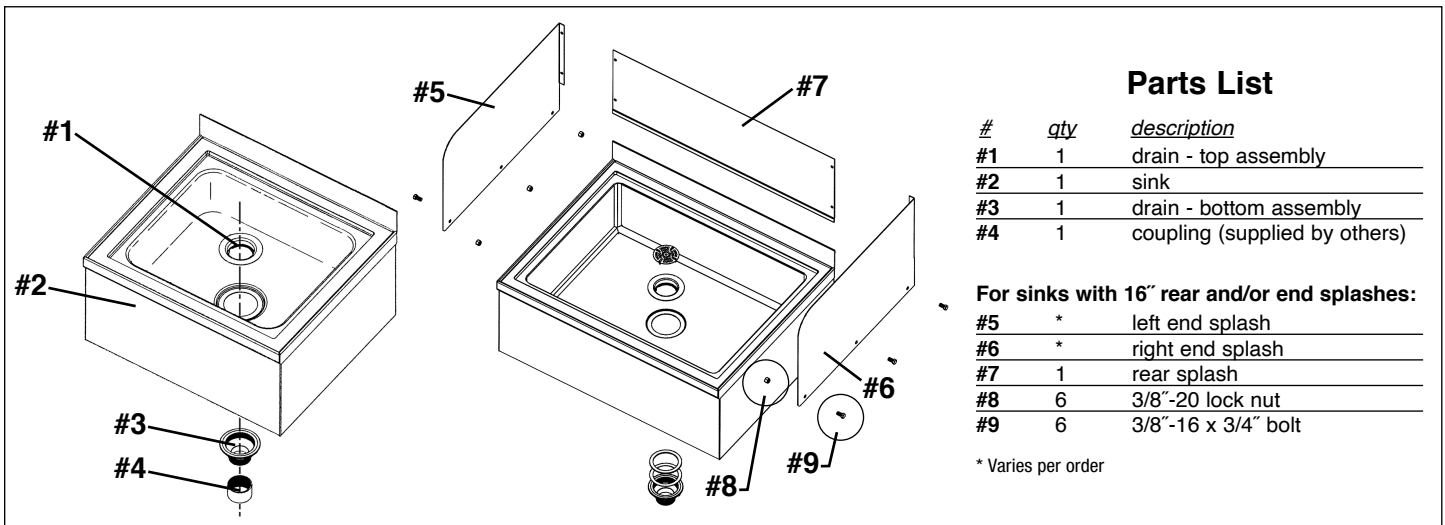
Mop Sink

INSTALLATION INSTRUCTIONS

CAUTION

INSPECT CONTENTS IMMEDIATELY AND FILE CLAIM WITH DELIVERING CARRIER FOR ANY DAMAGE. **SAVE YOUR BOX AND ALL PACKING MATERIALS.** YOU ARE RESPONSIBLE FOR DAMAGE TO YOUR UNIT IF RETURNED IMPROPERLY PACKED.

Thank you for your purchase. Before assembly, read this instruction sheet carefully. After reading, be sure to store this instruction in a safe place, should it be needed for future reference.



Parts List

#	qty	description
#1	1	drain - top assembly
#2	1	sink
#3	1	drain - bottom assembly
#4	1	coupling (supplied by others)

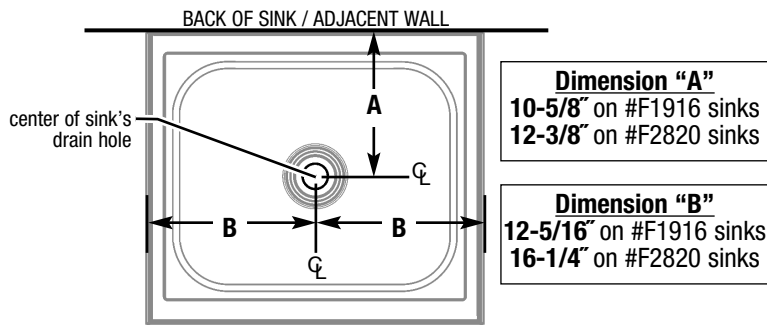
For sinks with 16" rear and/or end splashes:

#5	*	left end splash
#6	*	right end splash
#7	1	rear splash
#8	6	3/8"-20 lock nut
#9	6	3/8"-16 x 3/4" bolt

* Varies per order

Dimensions for plumbing rough-ins

Complete plumbing rough-ins, following applicable dimensions listed at right of illustration.



Dimension "A"

10-5/8" on #F1916 sinks
12-3/8" on #F2820 sinks

Dimension "B"

12-5/16" on #F1916 sinks
16-1/4" on #F2820 sinks

Tools needed

For Splash Kit included with Mop Sink:

- Drill, with 3/8" drill bit
- 9/16" wrench or socket
- Driver for hardware (not included) running through splashes and into wall
- RTV silicone

For retrofitting Splash Kit:

- Drill, with #1 drill bit
- Driver for 1/4"-diameter sheet metal screws (not included)
- Driver for hardware (not included) running through splashes and into wall
- RTV silicone

For installing Mop Sink to floor:

- Pipe wrench, as needed (for coupling not included)
- Caulk or Plumbers Putty

BEFORE INSTALLATION, PLEASE NOTE:

- If your mop sink came with 16"-high Splash Kit (consisting of backsplash and/or end splashes), it is recommended to affix splashes onto mop sink BEFORE mop sink installation. Proceed to **Step 1** (page 2).
- If your mop sink did not come with 16"-high Splash Kit, skip to **Step 2** (pages 2 and 3).
- If you are retrofitting backsplash and/or end splash(es) to pre-installed mop sink, go to back page.

(continued on next page)

EG10014 Revised 12/22



• 100 Industrial Boulevard, Clayton, Delaware 19938-8903 U.S.A.
• Phone: 302/653-3000 • 800/441-8440 • Fax: 302/653-2065
• www.eaglegrp.com • www.eaglegrpnews.com • www.eaglemhc.com

Eagle Foodservice Equipment, Eagle MHC, and SpecFAB® are divisions of Eagle Group. ©2022 by the Eagle Group

Mop Sink

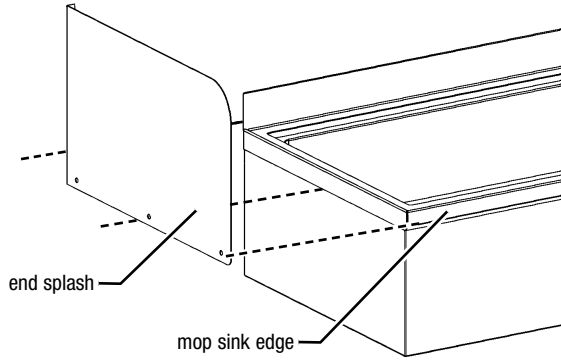
INSTALLATION INSTRUCTIONS

Step 1 - Affix end splash(es) to mop sink.

If your sink did not come with 16"-high Splash Kit, skip to **Step 2**.

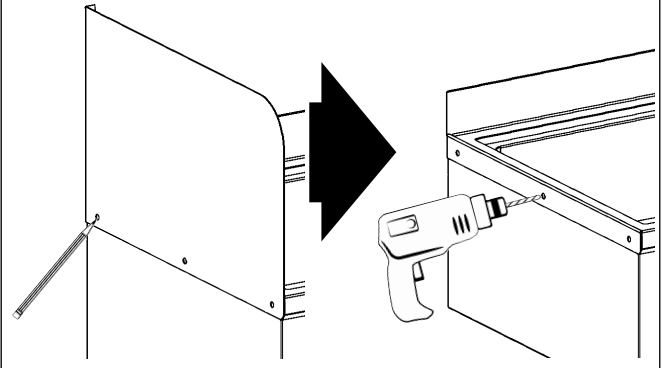
1a - Align end splash to adjacent side of mop sink.

Align front, rear, and bottom edges of end splash to those of mop sink edge.



1b - Mark and drill holes.

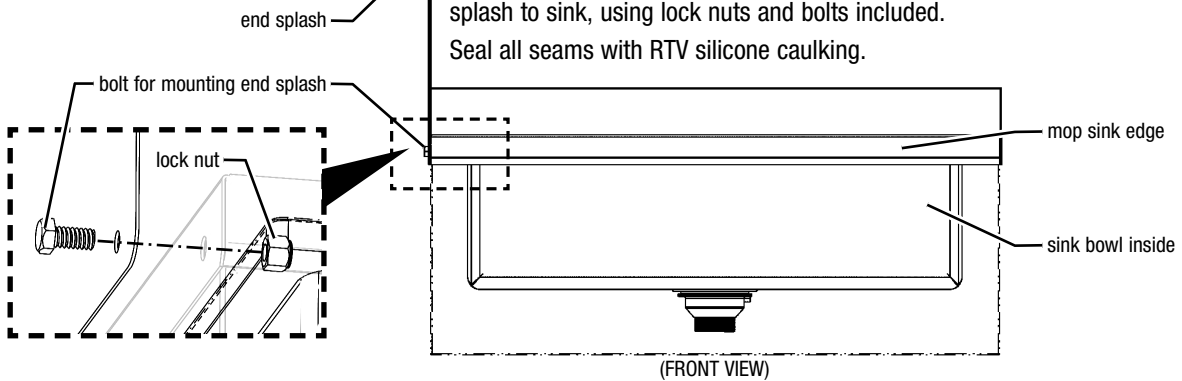
Use holes in end splash to mark hole locations onto mop sink edge, remove end splash, then drill holes using 3/8" drill bit.



1c - Attach end splash.

Note: Lock nuts go BEHIND the sink edge. To position each lock nut, go through the bottom of the unit. Attach splash to sink, using lock nuts and bolts included.

Seal all seams with RTV silicone caulking.



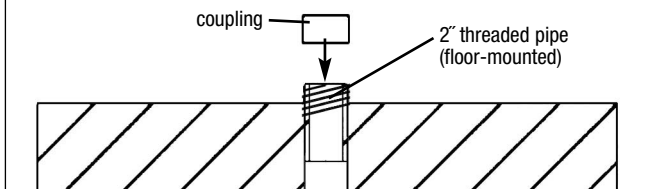
Repeat **Step 1** to install remaining end splash, if applicable.

Step 2 - Affix mop sink to floor

Note: Pipe should be preinstalled into the floor.

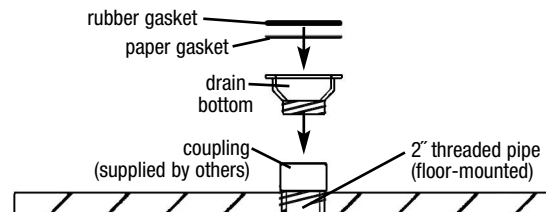
2a - Screw coupling onto 2" threaded pipe.

Note: Coupling supplied by others.



2b - Attach drain bottom and gaskets.

- Screw drain bottom into coupling until top of drain is approximately 3/4" from the floor.
- Place and center gaskets onto drain bottom as shown.



(continued on Page 3)

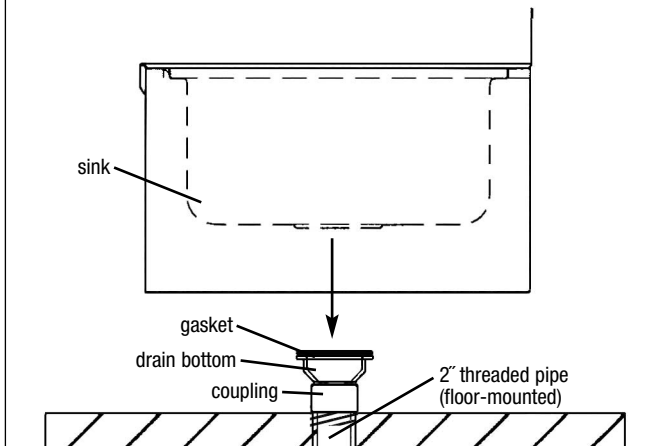
Mop Sink

INSTALLATION INSTRUCTIONS

Step 2 (continued)

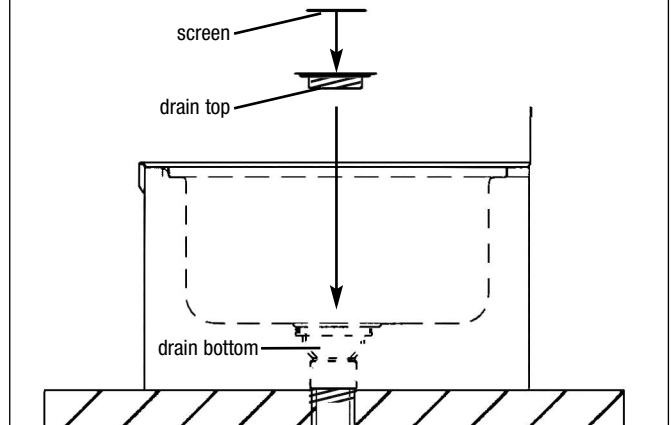
2c - Install sink.

- Place and center sink over top of drain.
- Apply caulk or plumber's putty onto rim of hole inside sink bowl.



2d - Attach drain top.

- Screw drain top into drain bottom.
- Wipe away excess caulk or plumber's putty.
- Insert screen into drain top.

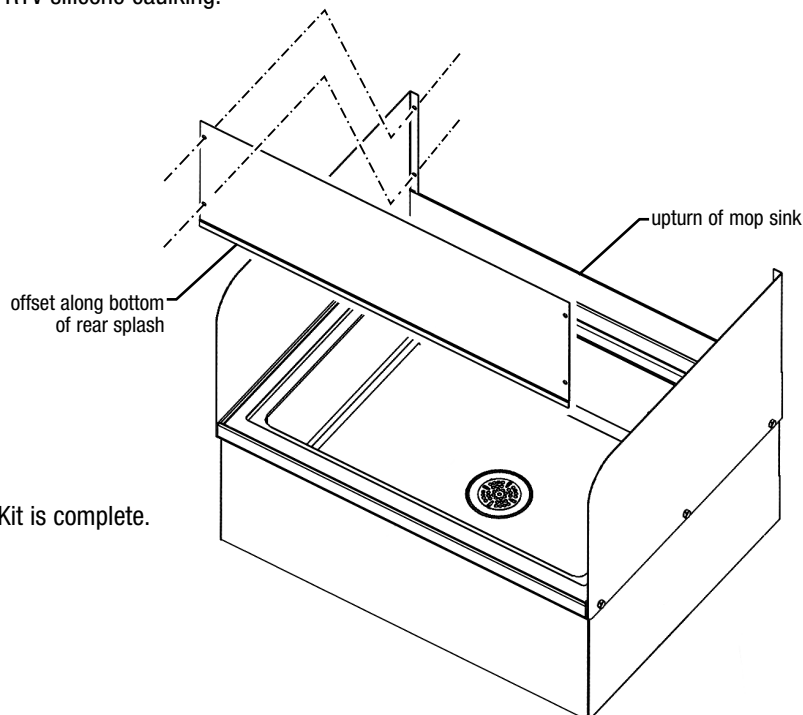


If your sink did not come with Splash Kit, then installation is done.

If your sink came with Splash Kit, **Step 1** and **Step 2** should be completed by now. Proceed to **Step 3** below.

Step 3 - Attach rear splash to mop sink and wall.

- Apply silicone to flange of end splash(es) and rear upturn of mop sink.
- Position rear splash so that offset along bottom of rear splash will overlap rear upturn of mop sink.
- Align holes of rear splash and end splash(es), and run hardware (not included) through splashes and into adjacent wall.
- Seal all seams with RTV silicone caulking.



Installation of Splash Kit is complete.

(End)

To retrofit splashes onto pre-installed mop sink, go to back page



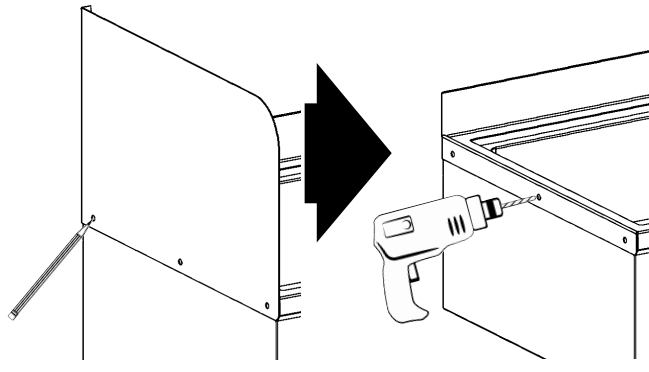
Mop Sink

INSTALLATION INSTRUCTIONS

To retrofit splashes onto pre-installed mop sink...

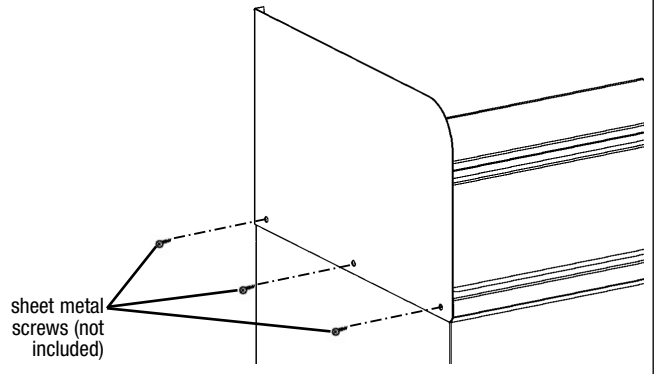
1 - Mark and drill holes.

Hold end splash in place, mark hole locations onto sink edge, set aside end splash and drill holes using a #1 drill bit (0.228"). Repeat on other end splash, if applicable.



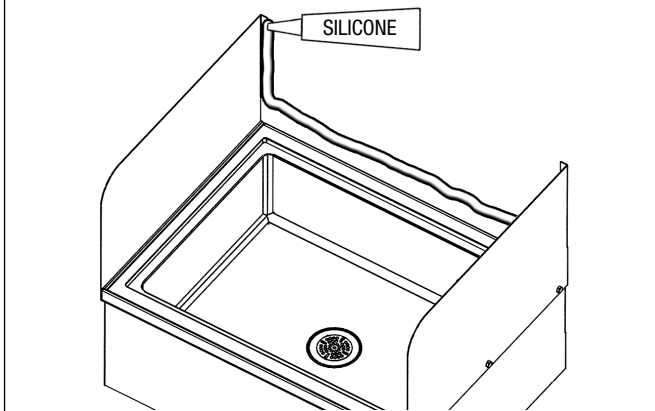
2 - Attach end splash(es).

Attach with 1/4"-diameter stainless steel sheet metal screws (not included). Repeat on other end splash, if applicable. Note: NSF does not allow use of allen headed fasteners.



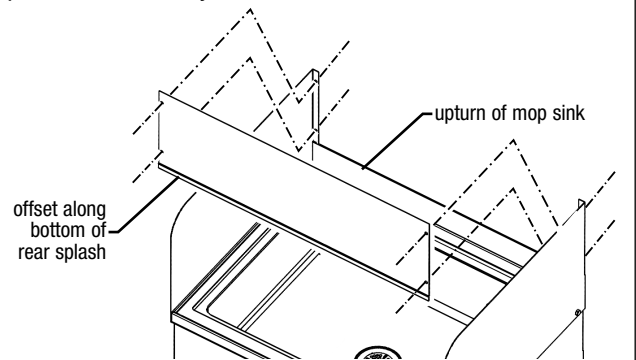
3 - Apply silicone.

Apply silicone to flange of end splash(es) and rear upturn of mop sink.



4 - Attach rear splash.

Position rear splash so that offset along bottom of rear splash will overlap rear upturn of mop sink. Align holes of rear splash and end splash(es), and run hardware (not included) through splashes and into adjacent wall.



Seal all seams with RTV silicone caulking.

Installation of Splash Kit is complete.

