



FREEZERATOR™ FREEZER

Use & Care Guide

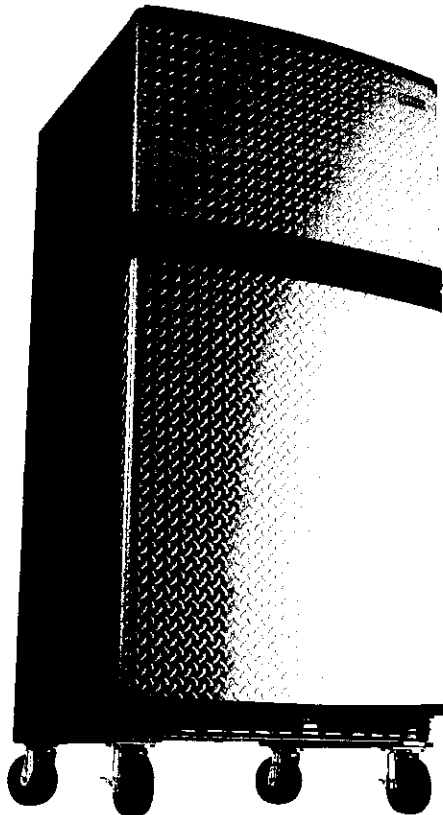
FREEZERATOR™ CONGELADOR

Manual de uso y cuidado

FREEZERATOR™ CONGÉLATEUR

Guide d'utilisation et d'entretien

Table of Contents/Índice/Table des matières 2



**THE BEST GARAGE ON THE BLOCK.™
EL MEJOR GARAGE DE LA CUADRA.™
LE MEILLEUR GARAGE DU QUARTIER.™**

2253126

In U.S.A. call: 1-866-342-4089
En EE. UU. llame al: 1-866-342-4089
Aux É.-U. téléphoner au 1-866-342-4089

In Canada call: 1-800-807-6777
En Canadá llame al: 1-800-807-6777
Au Canada téléphoner au 1-800-807-6777

www.GladiatorGW.com
www.gladiatorgarageworks.ca

TABLE OF CONTENTS

FREEZER SAFETY	3
INSTALLATION INSTRUCTIONS	4
Unpacking	4
Location Requirements	4
Electrical Requirements	4
Freezer Doors: Removing, Reversing (optional) and Replacing ..	5
Door Closing and Alignment	7
Caster Installation	7
Normal Sounds	9
FREEZER USE	9
Ensuring Proper Air Circulation	9
Using the Controls	9
UPPER COMPARTMENT FEATURES	10
Upper Compartment Shelf	10
Upper Compartment Floor	11
LOWER COMPARTMENT FEATURES	11
Shelves	11
Half-Width Wire Baskets	11
Full-Width Wire Basket	11
Full-Width Shelf	12
DOOR FEATURES	12
Door Rails	12
Door Bins	12
Wire Door Shelf	12
Can Rack	12
FREEZER CARE	13
Cleaning	13
Changing the Light Bulbs	13
Power Interruptions	13
Vacation and Moving Care	13
TROUBLESHOOTING	14
ASSISTANCE OR SERVICE	15
In the U.S.A.	15
In Canada	15
WARRANTY	16

FREEZER SAFETY

Your safety and the safety of others are very important.

We have provided many important safety messages in this manual and on your appliance. Always read and obey all safety messages.



This is the safety alert symbol.

This symbol alerts you to potential hazards that can kill or hurt you and others.

All safety messages will follow the safety alert symbol and either the word "DANGER" or "WARNING." These words mean:

⚠ DANGER

You can be killed or seriously injured if you don't immediately follow instructions.

⚠ WARNING

You can be killed or seriously injured if you don't follow instructions.

All safety messages will tell you what the potential hazard is, tell you how to reduce the chance of injury, and tell you what can happen if the instructions are not followed.

IMPORTANT SAFETY INSTRUCTIONS

WARNING: To reduce the risk of fire, electric shock, or injury when using your freezer, follow these basic precautions:

- Plug into a grounded 3 prong outlet.
- Do not remove ground prong.
- Do not use an adapter.
- Do not use an extension cord.
- Disconnect power before servicing.
- Replace all panels before operating.
- Use nonflammable cleaner.
- Keep flammable materials and vapors, such as gasoline, away from freezer.
- Use two or more people to move and install freezer.
- Keep key away from children.
- Remove doors or lid from your old freezer or refrigerator.
- Disconnect power before installing ice maker (on ice maker kit ready models only).

SAVE THESE INSTRUCTIONS

Proper Disposal of Your Old Refrigerator or Freezer

⚠ WARNING

Suffocation Hazard

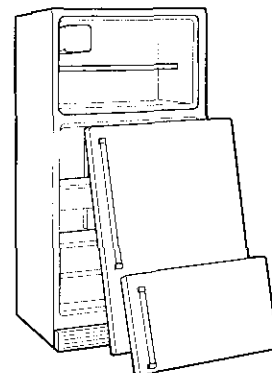
Remove doors or lid from your old freezer or refrigerator.

Failure to do so can result in death or brain damage.

IMPORTANT: Child entrapment and suffocation are not problems of the past. Junked or abandoned refrigerators are still dangerous – even if they will sit for "just a few days." If you are getting rid of your old refrigerator, please follow these instructions to help prevent accidents.

Before you throw away your old refrigerator or freezer

- Take off the doors.
- Leave the shelves in place so that children may not easily climb inside.



INSTALLATION INSTRUCTIONS

Unpacking

⚠ WARNING

Excessive Weight Hazard

Use two or more people to move and install freezer.

Failure to do so can result in back or other injury.

Removing packaging materials

- Remove tape and glue residue from surfaces before turning on the freezer. Rub a small amount of liquid dish soap over the adhesive with your fingers. Wipe with warm water and dry.
- Do not use sharp instruments, rubbing alcohol, flammable fluids, or abrasive cleaners to remove tape or glue. These products can damage the surface of your freezer. For more information, see the "Freezer Safety" section.

When Moving Your Freezer:

Your freezer is heavy. When moving the freezer for cleaning or service, be sure to protect the floor. Always pull the freezer straight out when moving it. Do not wiggle or "walk" the freezer when trying to move it, as floor damage could occur.

Cleaning before use

After you remove all of the packaging materials, clean the inside of your freezer before using it. See the cleaning instructions in the "Freezer Care" section.

Location Requirements

⚠ WARNING



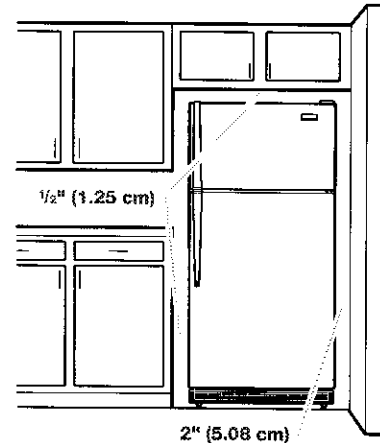
Explosion Hazard

Keep flammable materials and vapors, such as gasoline, away from freezer.

Failure to do so can result in death, explosion, or fire.

To ensure proper ventilation for your freezer, allow for ½ in. (1.25 cm) space on each side and at the top. When installing your freezer next to a fixed wall, leave 2 in. (5.08 cm) minimum on each side (depending on your model) to allow for the door to swing open.

NOTE: Do not install the freezer near an oven, radiator, or other heat source where the temperature will rise above 110°F (43° C), nor in a location where the temperature will fall below 0°F (-17° C).



Electrical Requirements

⚠ WARNING



Electrical Shock Hazard

Plug into a grounded 3 prong outlet.

Do not remove ground prong.

Do not use an adapter.

Do not use an extension cord.

Failure to follow these instructions can result in death, fire, or electrical shock.

Before you move your freezer into its final location, it is important to make sure you have the proper electrical connection. Your freezer is equipped with a longer power cord for easier placement and movement.

Recommended grounding method

A 115 Volt, 60 Hz., AC only 15 or 20 ampere fused, grounded electrical supply is required. It is recommended that a separate circuit serving only your freezer be provided. Use an outlet that cannot be turned off by a switch. Do not use an extension cord.

NOTE: Before performing any type of installation, cleaning, or removing a light bulb, turn the Freezer control to OFF and then disconnect the freezer from the electrical source. When you are finished, reconnect the freezer to the electrical source and reset the control to the desired setting.

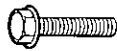
Freezer Doors: Removing, Reversing (optional) and Replacing

TOOLS NEEDED: 5/16 in. hex-head socket wrench, #2 Phillips screwdriver, flat-blade screwdriver, 3/16 in. open-end wrench, flat 2 in. putty knife.

IMPORTANT:

- Before you begin, turn the lower compartment control OFF, unplug freezer or disconnect power.
- Remove food and any adjustable door or utility bins from doors.
- If you are only removing and replacing the doors, the instructions are the same regardless of door style. See the "Door and Hinge Removal" and "Door and Hinge Replacement" later in this section.
- All graphics referenced in the following instructions are included later in this section after "Final Steps."

Door and Hinge Removal



5/16 in. Hex-Head Hinge Screw

1. Unplug freezer or disconnect power.
2. Open lower compartment door and remove base grille from the bottom front of the freezer (see Base Grille graphic).
3. Close the lower compartment door and keep both doors closed until you are ready to lift them free from the cabinet.
NOTE: Provide additional support for the doors while the hinges are being moved. Do not depend on the door magnets to hold the doors in place while you are working.
4. Remove the parts for the top hinge as shown in Top Hinge graphic. Lift the upper compartment door free from the cabinet.
5. Remove the parts for the center hinge as shown in the Center Hinge graphic. Lift the lower compartment door free from the cabinet.
6. Remove the parts for the bottom hinge as shown in the Bottom Hinge graphic.

IMPORTANT: If you want to reverse your doors so that they open in the opposite direction, continue with the "Door Reversal (optional)" instructions. If you are not reversing the doors, see the "Door and Hinge Replacement" section.

Door Reversal (optional)

(See complete graphics later in this section.)



Round-Head
Handle Screw



Door Handle
Screw Hole Plug



Door Hinge
Hole Plug

Cabinet

1. Remove 5/16 in. hex-head hinge screws from handle side and move them to opposite side (see Graphic 1-1).
2. Remove cabinet hinge hole plugs from the cabinet top and move them to opposite side hinge holes as shown (see Graphic 1-2).

Doors

1. Remove door hinge hole plug from top of upper compartment door. Move to opposite side as shown (see Graphic 2).
2. Remove door stop from both the upper and lower compartment doors and move to the other side (see Graphic 3).

Door and Hinge Replacement

NOTE: Graphic may be reversed if door swing is reversed.

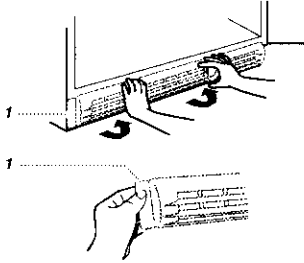
1. Replace the parts for the bottom hinge as shown. Tighten screws. Replace the lower compartment door.
NOTE: Provide additional support for the doors while the hinges are being moved. Do not depend on the door magnets to hold the doors in place while you are working.
2. Assemble the parts for the center hinge as shown and tighten all screws (see Center Hinge graphic). Replace the upper compartment door.
3. Assemble the parts for the top hinge as shown (see Top Hinge graphic). Do not tighten screws completely.
4. Line up the doors so that the bottom of the upper compartment door aligns evenly with the top of the lower compartment door. Tighten all screws.

Final Steps

1. Check all holes to make sure that hole plugs and screws are in place. Reinstall top hinge cover (see Top Hinge graphic).
NOTE: On the left-hand side of the base grille there is a removable tab which is a bottom hinge hole plug. Break off the tab from the base grille and insert the bottom hinge hole plug into the bottom hinge holes (see Base Grille graphic).
2. Replace the base grille (see Base Grille graphic).
3. Plug in freezer or reconnect power.
4. Reset the controls. See "Using the Controls" section.
5. Return all removable door parts to doors and food to product.

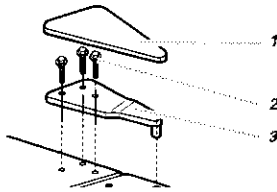
Door Removal & Replacement

Base Grille



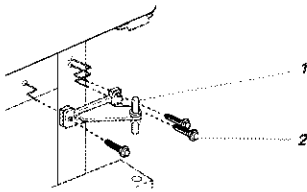
1. Bottom Hinge Hole Plug

Top Hinge



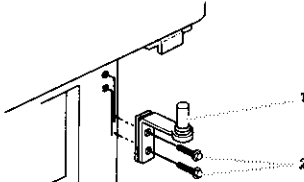
1. Top Hinge Cover
2. $\frac{5}{16}$ " Hex-Head Hinge Screws
3. Top Hinge

Center Hinge



1. Center Hinge
2. $\frac{5}{16}$ " Hex-Head Hinge Screws

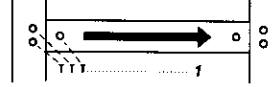
Bottom Hinge



1. Bottom Hinge
2. $\frac{5}{16}$ " Hex-Head Hinge Screws

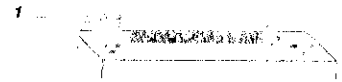
Door Swing Reversal (optional)

1-1



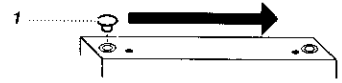
1. $\frac{5}{16}$ " Hex-Head Hinge Screws

1-2



1. Cabinet Hinge Hole Plugs

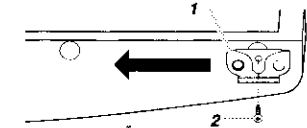
2



1. Door Hinge Hole Plug

3

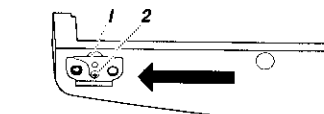
Removal of Door Stops



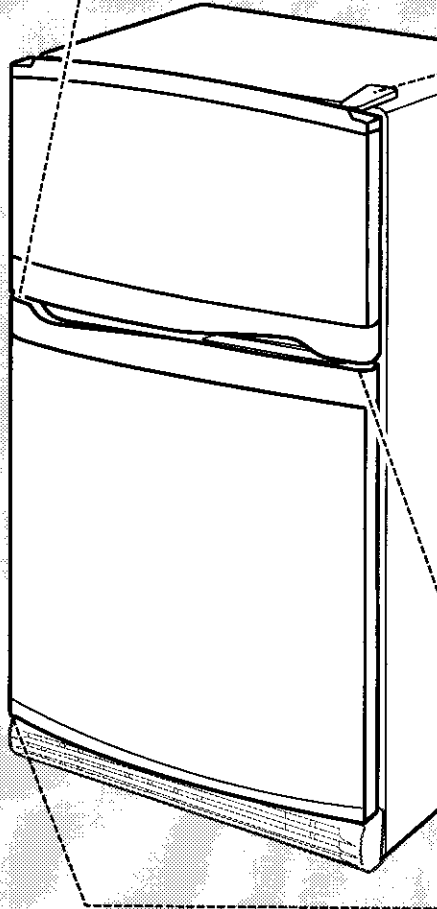
1. Door Stop
2. Door Stop Screw

4

Reinstallation of Door Stops



1. Door Stop
2. Door Stop Screw



Door Closing and Alignment

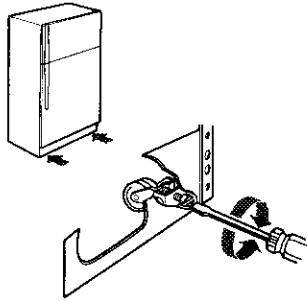
NOTE: If you have the casters installed on your freezer, the leveling screws will not work. Shims can be placed under the casters to level a freezer that has casters installed.

Door Closing

Your freezer has two front adjustable rollers – one on the right and one on the left. If your freezer seems unsteady or you want the doors to close easier, adjust the freezer's tilt using the instructions below:

1. Plug into a grounded 3 prong outlet.
2. Move the freezer into its final position.
3. Remove the base grille (see Base Grille graphic). The two leveling screws are part of the front roller assemblies which are at the base of the freezer on either side.
4. Use a screwdriver to adjust the leveling screws. Turn the leveling screw to the right to raise that side of the freezer or turn the leveling screw to the left to lower that side. It may take several turns of the leveling screws to adjust the tilt of the freezer.

NOTE: Having someone push against the top of the freezer takes some weight off the leveling screws and rollers. This makes it easier to adjust the screws.



5. Open both doors again and check to make sure that they close as easily as you like. If not, tilt the freezer slightly more to the rear by turning both leveling screws to the right. It may take several more turns, and you should turn both leveling screws the same amount.
6. Replace the base grille.

Door Alignment

If the space between your doors looks uneven, you can adjust it using the instructions below:

1. Pry off the top hinge cover.
2. Loosen the top hinge screws using a $\frac{5}{16}$ in. socket or wrench.
3. Have someone hold the door in place or put a spacer between the doors while you tighten the top hinge screws.
4. Replace the top hinge cover.
5. Place the freezer on its side on top of the cardboard or protective material. Make sure the door hinge is facing upward.

IMPORTANT: It is important that the door hinge face

Caster Installation

WARNING

Excessive Weight Hazard

Use two or more people to move and install freezer.

Failure to do so can result in back or other injury.

Check that you have everything necessary for correct assembly. Proper assembly is your responsibility.

Tools Needed:

- $\frac{1}{2}$ in. Socket wrench or nut driver
- $\frac{3}{8}$ in. Socket wrench or nut driver
- $\frac{1}{2}$ in. Wrench

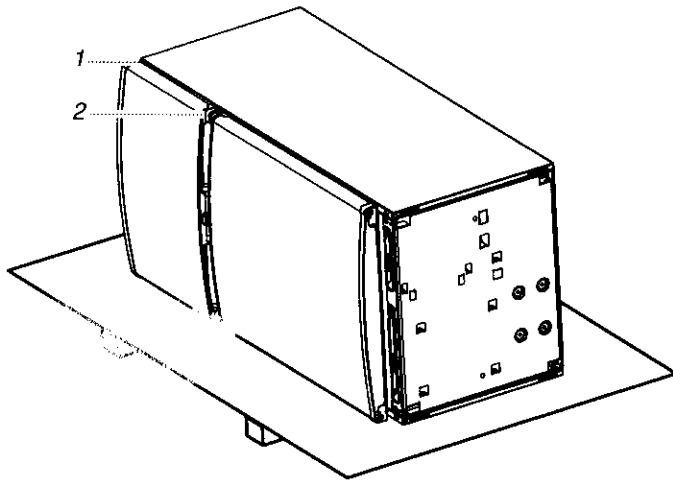
Parts Supplied:

- Rigid Casters (2)
- Swivel Casters (2)
- $\frac{5}{16}$ -18 Self-locking hex-nuts (16)
- $\frac{5}{16}$ -18 x $\frac{7}{8}$ in. Hex-head bolts (16)
- $\frac{1}{4}$ -20 X $1 \frac{1}{4}$ in. Hex-head bolts (4)
- $\frac{1}{4}$ -20 x $1 \frac{1}{4}$ in. lock washers (4)
- Caster brackets (located in FeaturePak) (2)
- Plastic skids (shipped with the freezer)

1. Before you begin, turn the lower compartment control to off, unplug freezer or disconnect power.
2. Remove food and any adjustable shelves and bins from freezer.
3. Open the lower compartment door and remove the base grille. Remove the grille by grasping the grille with both hands, lifting up and pulling bottom of the grille toward you.
4. Place the plastic skids (shipped with the freezer) on the floor at least 3 ft. (91.44 cm) apart. Lay a piece of cardboard or other protective material over the skids. This will elevate the freezer to allow for easier caster installation and also protect it from scratches.

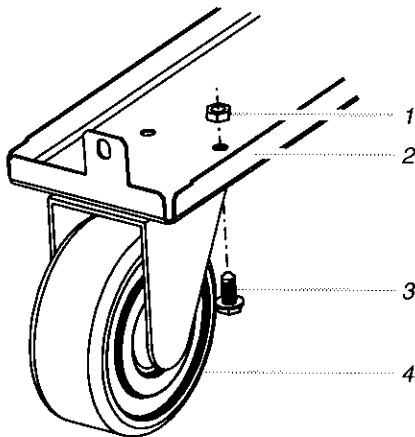
NOTE: If the skids have been discarded or are not available, 2 in. x 4 in. boards may be used.

upwards during the entire caster installation.



1. Top Hinge
2. Center Hinge

6. Remove the casters and fasteners from the box.
7. Locate and remove the caster brackets from the FeaturePak.
8. Using $\frac{3}{16}$ -18 x $\frac{7}{8}$ in. hex-head bolts, attach 1 rigid caster and 1 swivel caster to each caster bracket. The rigid caster fits the front of the bracket and the swivel caster fits on the rear.
9. Insert the hex-head bolts from the bottom and start the self-locking nuts for each caster.

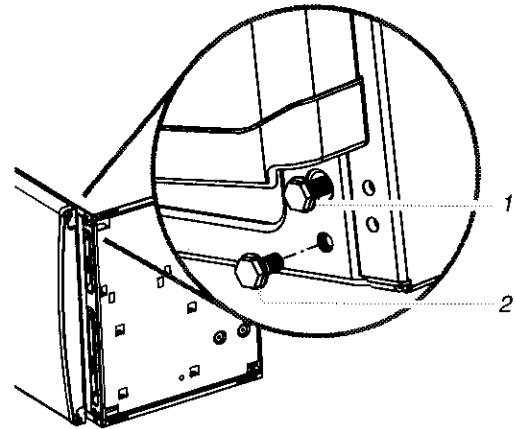


1. Self-locking nut
2. Caster bracket
3. $\frac{3}{16}$ -18 x $\frac{7}{8}$ in. hex-head bolt
4. Caster

10. Hold the head of the hex-head bolts with a wrench while tightening the self-locking nuts with a socket wrench.
11. Using a $\frac{1}{2}$ in. socket wrench, remove the 4 unit bolts (2 on each side) from the lower front and rear of the freezer.

NOTE: Do not remove leveling bolt.

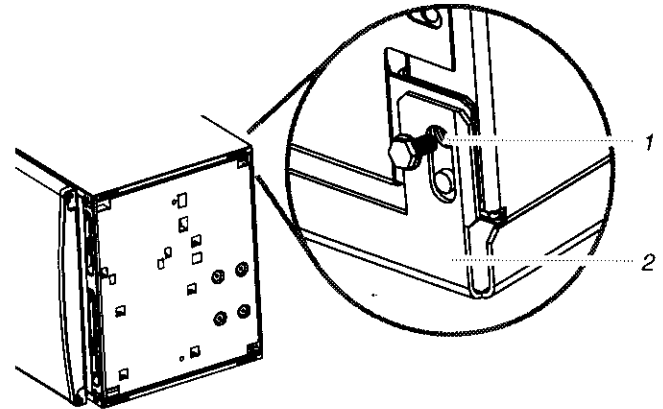
Lower Front Corner



1. Leveling bolt (do not remove)
2. Unit bolt

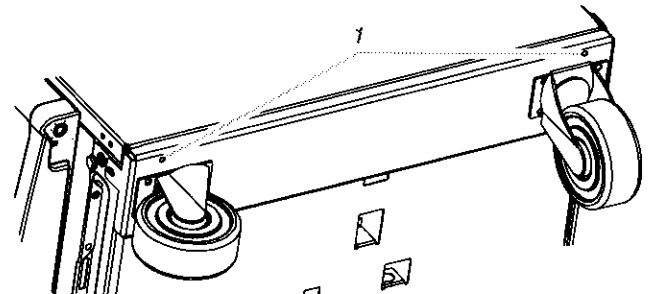
12. Place the slot in the rear of the caster bracket over the hole in the rear of the freezer. Align the hole in the front of the caster bracket with the hole in the front of the freezer.

Lower Rear Corner.



1. Rear freezer hole
2. Caster Bracket

13. Hold the bracket in place and insert the unit bolts into the front and rear unit holes and tighten.
NOTE: Do not overtighten the bolts.
14. Insert 2 of the $\frac{1}{4}$ - 20 x 1 $\frac{1}{4}$ in. hex-head bolts and lock washers into the 2 holes in the side of the caster bracket. Push the caster bracket against the bottom of the freezer and tighten the bolts using a $\frac{3}{8}$ in. socket wrench.

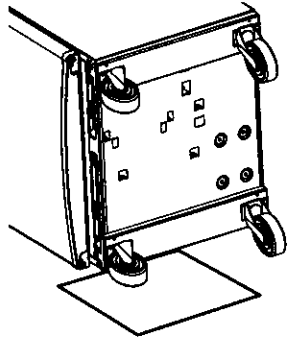


1. Caster bracket holes

15. Repeat steps 12 - 14 for the second caster bracket.

Complete the Assembly

1. Lock the front caster wheels.
2. Insert a small piece of cardboard between the caster brake and the floor. This will help prevent the brake from rubbing on the floor.



3. Stand the freezer upright.
4. Replace the base grille by placing the metal clips in the openings in the metal panel and rolling the grille downward until it snaps into place.
5. Unlock the wheels and move the freezer into its desired location.
6. After the freezer is in position, relock the wheels.
7. Plug in freezer or reconnect power.

Normal Sounds

Your new freezer may make sounds that your old one didn't make. Because the sounds are new to you, you might be concerned about them. Most of the new sounds are normal. Hard surfaces, such as the floor, walls, and cabinets, can make the sounds seem louder. The following describes the kinds of sounds and what may be making them.

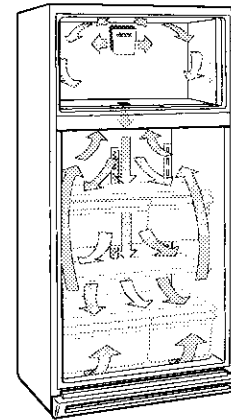
- Your freezer is designed to run more efficiently to keep your food items at the desired temperatures and to minimize energy usage. The high efficiency compressor and fans may cause your freezer to run longer than your old one. You may also hear a pulsating or high-pitched sound from the compressor or fans adjusting to optimize performance.
- Your freezer will sound louder than regular refrigerators. This is due to the high fan speed. This speed is necessary to keep the freezer operating properly in the harsher environments of most garages.
- You may hear a hissing noise after you close the lower compartment door. This is due to the colder temperature of the lower compartment and the stronger seal on the door.
- You may hear the evaporator fan motor circulating air through the upper and lower compartments. The fan speed may increase as you open the doors or add warm food.
- Rattling noises may come from the flow of refrigerant, or items stored on top of the freezer.
- Water dripping on the defrost heater during a defrost cycle may cause a sizzling sound.
- As each cycle ends, you may hear a gurgling sound due to the refrigerant flowing in your freezer.
- Contraction and expansion of the inside walls may cause a popping noise.
- You may hear air being forced over the condenser by the condenser fan.

- You may hear water running into the drain pan during the defrost cycle.

FREEZER USE

Ensuring Proper Air Circulation

In order to ensure proper temperature, you need to permit airflow between the lower and upper sections. As shown in the illustration, the majority of the cold air enters the lower compartment through vents behind the lower control box, flows through the lower section, and is drawn through the opening in the top of the lower compartment. The rest of the cold air enters the upper compartment through the vent in the upper control box, then flows through the upper section and is recirculated through the rear wall.



Do not block any of these vents with food packages. If the vents are blocked, airflow will be prevented and temperature and moisture problems may occur.

IMPORTANT: Because air circulates between both sections, any odors formed in one section will transfer to the other. You must thoroughly clean both sections to eliminate odors. To prevent odor transfer and drying out of food, wrap or cover foods tightly.

Using the Controls

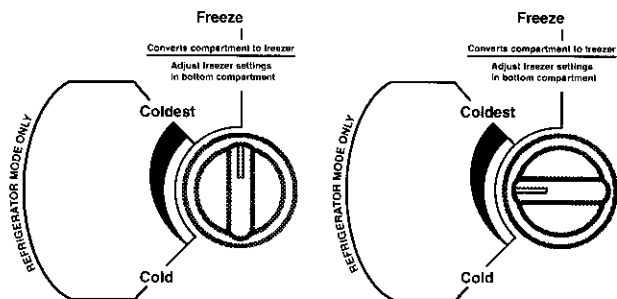
For your convenience, your freezer controls are preset at the factory with the upper compartment set in refrigeration mode and the lower compartment controls set at the mid-point. When you first install your freezer, make sure that the controls are still preset to the factory settings.

Upper Compartment Control

The upper compartment of your freezer can function as either a refrigerator or a freezer. The control in the upper compartment allows you to switch it from Refrigerator Mode to Freeze mode. Ensure that the correct mode is selected depending upon your storage requirements.

To change the upper compartment to Freeze mode:

- Turn the control all the way to FREEZE.



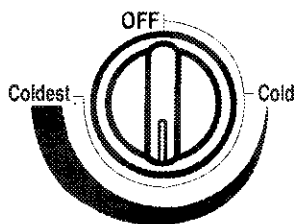
IMPORTANT: If the control is not turned all the way to FREEZE, the upper compartment will not function properly as a freezer.

Your freezer is designed for use in the garage. If the upper compartment is set to Freeze, your usual setting for the lower compartment should be adequate for most summer or winter conditions. Under extreme summer or winter conditions, you may need to make minor adjustments to the upper compartment control in order to maintain the desired temperature in the upper compartment.

Lower Compartment Control

The lower compartment functions as a freezer at all times. The control in the lower compartment controls the temperature in the lower compartment and the temperature in the upper compartment when the upper compartment is in Freeze mode.

NOTE: To turn your freezer off, turn the lower compartment control to the word OFF and the upper compartment to FREEZE. Your freezer will not cool when the lower compartment control is set to OFF.



IMPORTANT:

- When the upper compartment is in refrigeration mode, the temperature is controlled by the upper control. When it is in freeze mode, the temperature is controlled by the lower compartment control.
- Give your freezer time to cool down completely before adding food. It is best to wait 24 hours before you put food into the freezer.
- If you add food before the freezer has cooled completely, your food may spoil. Adjusting the Lower and Upper Compartment Controls to a colder than recommended setting will not cool the compartments any faster.

Adjusting Controls

The settings indicated in the previous section should be correct for normal household usage. The controls are set correctly when milk or juice is as cold as you like and when ice cream is firm.

If the temperature is too warm or too cold in the lower or upper compartment, first check the air vents to be sure they are not blocked.

If you need to adjust temperatures, use the settings listed in the chart below as a guide. Wait at least 24 hours between adjustments and then recheck the temperatures.

CONDITION/REASON:

ADJUSTMENT:

LOWER COMPARTMENT section too warm
- Door opened often, large amount of food added or room temperature very warm

Adjust LOWER COMPARTMENT Control toward coldest.

UPPER COMPARTMENT section too warm
- Door opened often, or large amount of food added or very cold room temperature (can't cycle often enough)

If in Refrigerator Mode, adjust UPPER COMPARTMENT Control toward coldest.
If in Freeze mode, adjust LOWER COMPARTMENT Control toward coldest.

LOWER COMPARTMENT section too cold
- Controls not set correctly for your conditions

Adjust UPPER COMPARTMENT Control toward cold.

UPPER COMPARTMENT section too cold
- Controls not set correctly for your conditions

If in REFRIGERATOR Mode adjust UPPER COMPARTMENT Control toward cold.
If in Freeze mode, adjust LOWER COMPARTMENT Control toward cold.

UPPER COMPARTMENT FEATURES

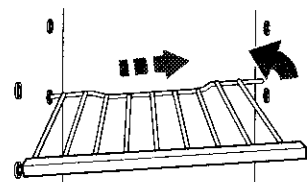
Your model may have some or all of these features. Features that can be purchased separately as product accessories are labeled with the word "Accessory." Not all accessories will fit all models. If you are interested in purchasing one of the accessories, please call the toll-free number on the cover or in the "Assistance or Service" section.

Upper Compartment Shelf

To remove and replace the shelf:

- Remove the shelf by lifting the entire shelf slightly and move it all the way to one side. Tilt the other side up and out of the shelf supports.
- Replace the shelf by inserting one end all the way into the center of the shelf supports. Then, lower the other end of the shelf and insert it into the shelf supports.

NOTE: The shelf should lower slightly and lock into place. If the shelf does not appear stable, make sure both ends of the shelf are inserted into the shelf supports.



Upper Compartment Floor

To remove and replace the upper compartment floor:

1. Remove all items from the compartment floor.
2. Remove the floor by raising the front and lifting it out.
3. Replace the floor by inserting the two rear tabs into the holes in the rear of the lower compartment. Lower the floor onto the liner of the lower compartment.

LOWER COMPARTMENT FEATURES

Your model may have some or all of these features. Features that can be purchased separately as product accessories are labeled with the word "Accessory." Not all accessories will fit all models. If you are interested in purchasing one of the accessories, please call the toll-free number on the cover or in the "Assistance or Service" section.

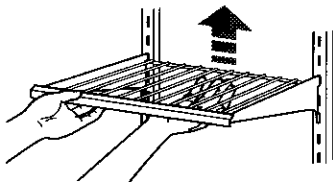
Shelves

The shelves in your freezer are adjustable to match your individual storage needs.

Storing similar food items together in your freezer and adjusting the shelves to fit different heights of items will make finding the exact item you want easier. It will also reduce the amount of time the freezer door is open, and save energy.

To remove and replace a shelf:

1. Remove the shelf by tilting it up at the front and lifting it out of the shelf supports.
2. Replace the shelf by guiding the rear shelf hooks into the shelf supports. Tilt the front of the shelf up until rear shelf hooks drop into the shelf supports. Check to make sure that the shelf is securely in position.

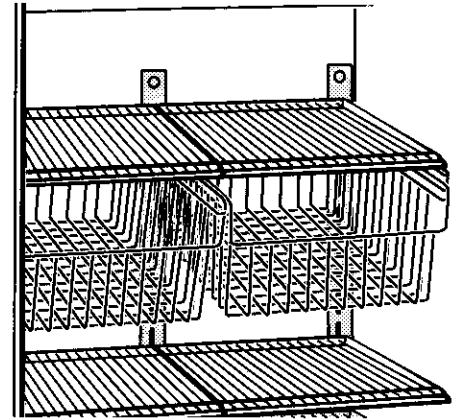


Half-Width Wire Baskets

There are two half-width wire baskets in your freezer.

To remove and replace a half-width basket:

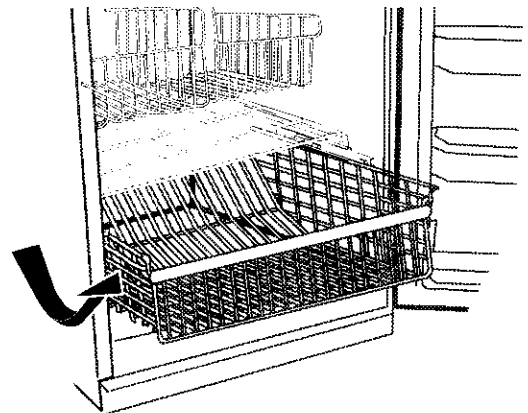
1. Remove all items from basket. Remove the basket by lifting the front out of the slides, then lifting the basket out.
2. Replace the wire basket by lowering the basket into the slides then pushing the basket backwards until it is under the shelf.



Full-Width Wire Basket

To remove and replace full width wire basket:

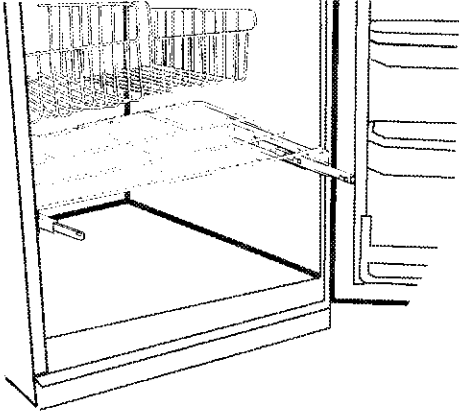
1. Remove all items from basket. Remove the basket by lifting the front out of the ball-bearing slides, then lifting the basket out.
2. Replace the wire basket by first extending the ball-bearing slides, then lowering the tabs on the sides of the wire basket into the slides. Push the basket backwards until it is under the shelf.



Full-Width Shelf

To remove and replace the shelf:

1. Remove all items from the shelf. Remove the shelf by raising the front and pulling it forward.
2. Replace the shelf by lifting the front while sliding the shelf back until it locks into place.



Frozen Food Storage Guide

Storage times will vary according to the quality and type of food, the type of packaging or wrap used (should be airtight and moisture-proof), and the storage temperature. Seal the package or container securely to prevent taste and odor transfer throughout the product. Ice crystals inside a sealed package are normal.

Put no more unfrozen food into the freezer than will freeze within 24 hours (no more than 2 to 3 lbs. of food per cubic foot [907-1,350 g per L] of freezer space). Leave enough space in the freezer for air to circulate around packages. The freezer door must close tightly. For more information on preparing food for freezing, check a freezer guide or reliable cookbook.

DOOR FEATURES

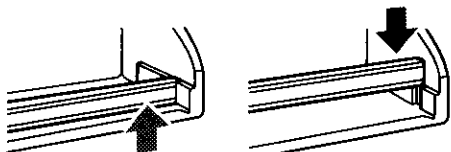
Your model may have some or all of these features. Features that can be purchased separately as product accessories are labeled with the word "Accessory." Not all accessories will fit all models. If you are interested in purchasing one of the accessories, please call the toll-free number on the cover or in the "Assistance or Service" section.

Door Rails

The door rails may be removed for easier cleaning.

To remove and replace the rails:

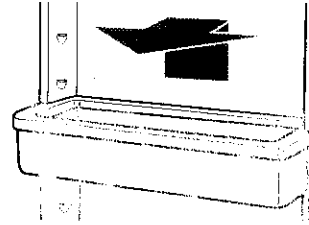
1. Remove the rails by pulling straight up on each end of the rail.
2. Replace the rails by sliding the shelf rail into the slots on the door and pushing the rail straight down until it stops.



Door Bins

To remove and replace the bins:

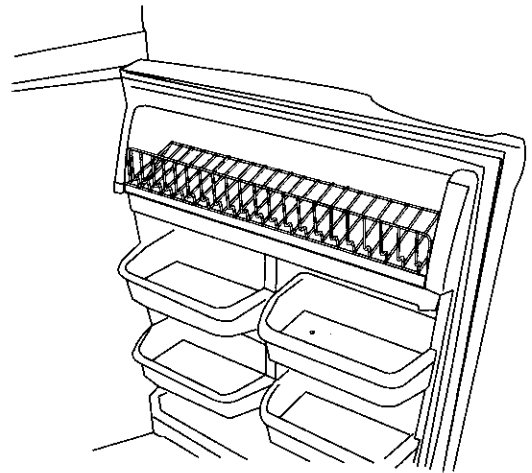
1. Remove the bin by lifting it and pulling it straight out.
2. Replace the bin by sliding it in above the desired support and pushing it down until it stops.



Wire Door Shelf

To remove and replace the wire door shelf:

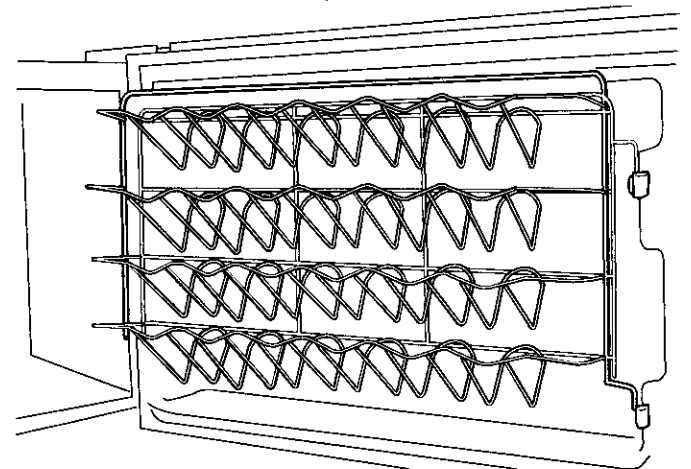
1. Remove the wire door shelf by lifting it out of the door rail.
2. Replace the door shelf by sliding it into the back of the door rail and snapping it into place.



Can Rack

To remove the rack:

1. Remove the rack by lifting it and pulling straight out.
2. Replace the rack by sliding it in above the supports and pushing it down until it stops.



FREEZER CARE

Cleaning



Both the freezer and upper compartment sections defrost automatically. However, clean both sections about once a month to prevent odors from building up. Wipe up spills immediately.

Cleaning your freezer

1. Unplug freezer or disconnect power.
2. Remove all removable parts from inside, such as shelves, crispers, etc.
3. Hand wash, rinse, and dry removable parts and interior surfaces thoroughly. Use a clean sponge or soft cloth and a mild detergent in warm water.
 - Do not use abrasive or harsh cleaners such as window sprays, scouring cleansers, flammable fluids, cleaning waxes, concentrated detergents, bleaches or cleansers containing petroleum products on plastic parts, interior and door liners or gaskets. Do not use paper towels, scouring pads, or other harsh cleaning tools. These can scratch or damage materials.
 - To help remove odors, you can wash interior walls with a mixture of warm water and baking soda (2 tbs. to 1 qt. [26 g to .95 L] of water).
4. Wash exteriors with a clean sponge or soft cloth and a mild detergent in warm water. Do not use abrasive or harsh cleaners, or cleaners designed for stainless steel. Dry thoroughly with a soft cloth. For additional protection against damage to painted metal exteriors, apply appliance wax (or auto paste wax) with a clean, soft cloth. Do not wax plastic parts.
5. There is no need for routine condenser cleaning in normal operating environments. If the environment is particularly greasy or dusty, or there is significant pet traffic in the home, the condenser should be cleaned every 2 to 3 months to ensure maximum efficiency.

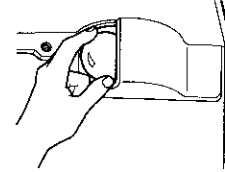
If you need to clean the condenser:

 - Remove the base grille. See "Freezer Doors: Removing, Reversing (optional), and Replacing."
 - Use a vacuum cleaner with a soft brush to clean the grille, the open areas behind the grille and the front surface area of the condenser.
 - Replace the base grille when finished.
6. Plug in freezer or reconnect power.

Changing the Light Bulbs

NOTE: Not all bulbs will fit your freezer. Be sure to replace the bulb with one of the same size, shape, and wattage.

1. Unplug freezer or disconnect power.
2. Remove the bulb from behind the control panel in the lower compartment or from behind the light shield in the upper compartment (on some models). Replace it with a bulb of the same wattage.
3. Plug in freezer or reconnect power.



Power Interruptions

If the power will be out for 24 hours or less, keep both compartment doors closed to help food stay cold and frozen.

If the power will be out for more than 24 hours, do one of the following:

- Remove all frozen food and store it in a frozen food locker.
- Place 2 lbs (907 g) of dry ice in the freezer for every cubic foot (28 L) of freezer space. This will keep the food frozen for 2 to 4 days.
- If neither a food locker nor dry ice is available, consume or can perishable food at once.

REMEMBER: A full freezer stays cold longer than a partially filled one. A freezer full of meat stays cold longer than a freezer full of baked goods. If you see that food contains ice crystals, it may be refrozen, although the quality and flavor may be affected. If the condition of the food is poor, dispose of it.

Vacation and Moving Care

Vacations

If you choose to leave the freezer on while you're away:

1. Use up any perishables and freeze other items.

If you choose to turn the freezer off before you leave:

1. Remove all food from the freezer.
2. Turn the lower compartment control to OFF. Turn the upper compartment control to FREEZE. See the "Using the Controls" section.
3. Clean freezer, wipe it, and dry well.
4. Tape rubber or wood blocks to the tops of both doors to prop them open far enough for air to get in. This stops odor and mold from building up.

Moving

When you are moving your freezer to a new home, follow these steps to prepare it for the move.

1. Remove all food from the freezer and pack all frozen food in dry ice.
2. Turn the lower compartment control to OFF. Turn the upper compartment control to FREEZE. See the "Using the Controls" section.
3. Unplug freezer.

4. Empty water from the defrost pan.
5. Clean, wipe, and dry thoroughly.
6. Take out all removable parts, wrap them well, and tape them together so they don't shift and rattle during the move.
7. Unlock the casters so that the freezer rolls easily.
8. If you have not installed the casters, raise the front of the freezer so it rolls more easily. See the "Door Closing and Alignment" section.
9. Tape the doors closed and tape the power cord to the freezer cabinet.

When you get to your new home, put everything back and refer to the "Installation Instructions" section for preparation instructions.

TROUBLESHOOTING

Try the solutions suggested here first in order to avoid the cost of an unnecessary service call.

Your freezer will not operate

- **Is the power cord unplugged?** Plug into a grounded 3 prong outlet.
- **Has a household fuse blown or circuit breaker tripped?** Replace the fuse or reset the circuit breaker.
- **Is the Lower Compartment Control turned to the OFF position?** See the "Using the Controls" section.
- **Is the freezer defrosting?** Recheck to see if the freezer is operating in 30 minutes. Your freezer will regularly run an automatic defrost cycle.

The lights do not work

- **Is the power cord unplugged?** Plug into a grounded 3 prong outlet.
- **Is a light bulb loose in the socket or burned out?** See the "Changing the Light Bulbs" section.

There is water in the defrost drain pan

- **Is the freezer defrosting?** The water will evaporate. It is normal for water to drip into the defrost pan.
- **Is it more humid than normal?** When it is humid, expect that the water in the defrost pan will take longer to evaporate.

The motor seems to run too much

- **Is the room temperature hotter than normal?** The motor will run longer under warm conditions. At normal room temperatures, your motor will run about 40% to 80% of the time. Under warmer conditions, it will run even more.
- **Has a large amount of food just been added to the freezer?** Adding a large amount of food warms the freezer. The motor normally will run longer to cool the freezer back down.
- **Are the doors opened often?** The motor will run longer when this occurs. Conserve energy by getting all items out at one time, keeping food organized, and closing the door as soon as possible.
- **Is the control set correctly for the surrounding conditions?** See the "Using the Control(s)" section.

- **Are the doors closed completely?** Close the doors firmly. If they do not close completely, see "The doors will not close completely" later in this section.
- **Are the condenser coils dirty?** This prevents air transfer and makes the motor work harder. Clean the condenser coils. See the "Cleaning" section.

NOTE: Your new freezer will run longer than your old one due to its high-efficiency motor.

The freezer seems to make too much noise

- **The sounds may be normal for your freezer.** See the "Normal Sounds" section.

The upper compartment front liner is warm

The warmth is probably due to normal operation of the automatic exterior moisture control. Additionally, the freezer is equipped with a heater to keep the freezer operating properly when the ambient temperature drops too low.

Temperature is too warm

- **Are the air vents blocked in either compartment?** This prevents cold air movement between the compartments. Move objects away from the air vents. See the "Ensuring Proper Air Circulation" section for air vent locations.
- **Are the door(s) opened often?** The freezer will warm when this occurs. Keep the freezer cool by getting all items out at one time, keeping food organized, and closing the door as soon as possible.
- **Has a large amount of food just been added to the freezer?** Adding a large amount of food warms the freezer. It can take several hours for the freezer to return to the normal temperature.
- **Are the controls set correctly for the surrounding conditions?** See the "Using the Control(s)" section.

There is interior moisture buildup

- **Are the air vents blocked in the freezer?** Remove any objects from in front of the air vents. See the "Ensuring Proper Air Circulation" section for air vent locations.
- **Are the door(s) opened often?** Avoid humidity buildup by getting all items out at one time, keeping food organized, and closing the door as soon as possible.
- **Is the room humid?** It is normal for moisture to build up inside the freezer when the room air is humid.
- **Is the food packaged correctly?** Check that all food is securely wrapped. Wipe off damp food containers before placing them in the freezer.
- **Is the control set correctly for the surrounding conditions?** See the "Using the Control(s)" section.
- **Was a self-defrost cycle completed?** It is normal for droplets to form after the freezer self-defrosts.

The doors are difficult to open

- **Are the gaskets dirty or sticky?** Clean gaskets and the surface that they touch. Rub a thin coat of paraffin wax on the gaskets following cleaning.
- **Have you opened the freezer door recently?** Allow at least 10 seconds after closing the freezer door before trying to open the upper compartment.

The doors will not close completely

- **Are food packages blocking the door open?** Rearrange containers so that they fit more tightly.
- **Are the crisper cover, pans, shelves, bins, or baskets out of position?** Put these items into their correct positions. See the "Lower Compartment Features" section for more information.
- **Are the gaskets sticking?** Clean gaskets and the surface that they touch. Rub a thin coat of paraffin wax on the gaskets following cleaning.
- **Does the freezer wobble or seem unstable?** Level the freezer. See the "Door Closing and Alignment" section.
- **Were the doors removed during product installation and not properly replaced?** Remove and replace the doors according to the "Freezer Doors: Removing, Reversing (options) & Replacing" section, or call a qualified service technician.

ASSISTANCE OR SERVICE

Before calling for assistance or service, please check "Troubleshooting." It may save you the cost of a service call. If you still need help, follow the instructions below.

When calling, please know the purchase date and the complete model and serial number of your appliance. This information will help us to better respond to your request.

If you need replacement parts

If you need to order replacement parts, we recommend that you only use factory specified replacement parts. Factory specified replacement parts will fit right and work right because they are made with the same precision used to build every new Gladiator™ GarageWorks appliance.

To locate factory specified replacement parts in your area, call our Customer Interaction Center telephone number or your nearest designated service center.

In the U.S.A.

Call the Gladiator™ GarageWorks Customer Interaction Center toll free: **1-866-342-4089**.

Our consultants provide assistance with:

- Features and specifications on our full line of products.
- Installation information.
- Use and maintenance procedures.
- Accessory and repair parts sales.
- Specialized customer assistance (Spanish speaking, hearing impaired, limited vision, etc.).
- Referrals to local dealers, repair parts distributors, and service companies. Gladiator™ GarageWorks designated service technicians are trained to fulfill the product warranty and provide after-warranty service, anywhere in the United States.

To locate the Gladiator™ GarageWorks designated service company in your area, you can also look in your telephone directory Yellow Pages.

For further assistance

If you need further assistance, you can write to Gladiator™ GarageWorks with any questions or concerns at:

Gladiator™ GarageWorks
Customer Interaction Center
553 Benson Road
Benton Harbor, MI 49022-2692

Please include a daytime phone number in your correspondence.

In Canada

Call the Whirlpool Canada Inc. Customer Interaction Center toll free: **1-877-807-8777**. Monday to Friday 8:00 a.m. - 6:00 p.m. (EST); Saturday 8:00 a.m. - 4:30 p.m. (EST).

Our consultants provide assistance with:

- Features and specifications on our full line of appliances.
- Referrals to local dealers.

For further assistance

If you need further assistance, you can write to Whirlpool Canada Inc. with any questions or concerns at:

Whirlpool Canada Inc.
Customer Interaction Center
1901 Minnesota Court
Mississauga, Ontario L5N 3A7

Please include a daytime phone number in your correspondence.

GLADIATOR™ GARAGEWORKS FREEZERATOR™ FREEZER WARRANTY

ONE-YEAR FULL WARRANTY

For one year from the date of purchase, when this freezer is operated and maintained according to instructions attached to or furnished with the product, Gladiator™ GarageWorks will pay for FSP® replacement parts and repair labor costs to correct defects in materials or workmanship. Service must be provided by a Whirlpool designated service company.

SECOND THROUGH FIFTH YEAR FULL WARRANTY ON SEALED REFRIGERATION SYSTEM PARTS AS LISTED

In the second through fifth years from the date of purchase, when this freezer is operated and maintained according to instructions attached to or furnished with the product, Gladiator™ GarageWorks will pay for FSP® replacement parts and repair labor costs to correct defects in materials or workmanship in the sealed refrigeration system. These parts are: compressor, evaporator, condenser, dryer, and connecting tubing. Service must be provided by a Whirlpool designated service company.

Gladiator™ GarageWorks will not pay for:

1. Service calls to correct the installation of your freezer, to instruct you how to use your freezer, to replace house fuses or correct house wiring or plumbing, to replace light bulbs, or replacement water filters other than as noted above.
 2. Repairs when your freezer is used in other than normal, single-family household use.
 3. Pickup and delivery. Your freezer is designed to be repaired in the home.
 4. Damage resulting from accident, alteration, misuse, abuse, fire, flood, improper installation, acts of God, or use of products not approved by Gladiator™ GarageWorks or Whirlpool Canada Inc.
 5. Any food loss due to product failure.
 6. Repairs to parts or systems resulting from unauthorized modifications made to the appliance.
 7. Replacement parts or repair labor costs for units operated outside the United States or Canada.
 8. In Canada, travel or transportation expenses for customers who reside in remote areas.
-

GLADIATOR™ GARAGEWORKS AND WHIRLPOOL CANADA INC. SHALL NOT BE LIABLE FOR INCIDENTAL OR CONSEQUENTIAL DAMAGES

Some states or provinces do not allow the exclusion or limitation of incidental or consequential damages, so this exclusion or limitation may not apply to you. This warranty gives you specific legal rights, and you may also have other rights which vary from state to state or province to province.

Outside the 50 United States and Canada, this warranty does not apply. Contact your authorized Gladiator™ GarageWorks dealer to determine if another warranty applies.

If you need service, first see the "Troubleshooting" section of this book. After checking "Troubleshooting," additional help can be found by checking the "Assistance or Service" section or by calling the Gladiator™ GarageWorks Customer Care Center, **1-866-342-4089** (toll-free), from anywhere in the U.S.A. In Canada, contact your Whirlpool Canada Inc. designated service company or call **1-800-807-6777**.

9/03

Keep this book and your sales slip together for future reference. You must provide proof of purchase or installation date for in-warranty service.

Write down the following information about your freezer to better help you obtain assistance or service if you ever need it. You will need to know your complete model number and serial number. You can find this information on the model and serial number label located on the inside wall of the lower compartment.

Dealer name _____

Address _____

Phone number _____

Model number _____

Serial number _____

Purchase date _____