

Owner's Manual



GARDEN TRACTOR

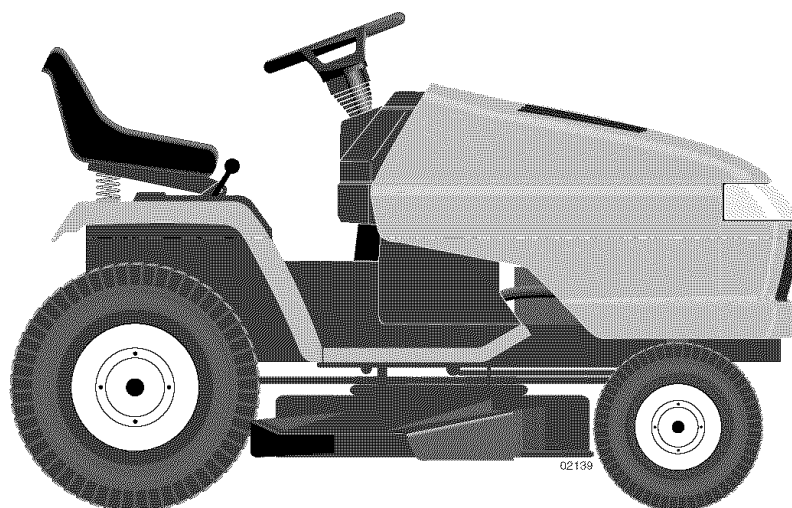
25.0 HP, 54" Mower

Electric Start

Automatic Transmission

Model No.

917.276240



This product has a low emission engine which operates differently from previously built engines. Before you start the engine, read and understand this Owner's Manual.

IMPORTANT:

Read and follow all Safety Rules and Instructions before operating this equipment.

For answers to your questions about this product, Call:

1-800-659-5917

Sears Craftsman Help Line

5 am - 5 pm, Mon - Sat

Sears, Roebuck and Co., Hoffman Estates, IL 60179 U.S.A.

Visit our Craftsman website: www.sears.com/craftsman

TABLE OF CONTENTS

| | | | |
|------------------------------|----|------------------------------|------------|
| Warranty | 2 | Maintenance | 19 |
| Safety Rules | 3 | Service and Adjustments..... | 23 |
| Product Specifications | 6 | Storage | 29 |
| Assembly/Pre-Operation | 8 | Troubleshooting | 30 |
| Operation..... | 12 | Repair Parts..... | 34 |
| Maintenance Schedule | 19 | Sears Service | Back Cover |

WARRANTY

LIMITED WARRANTY ON CRAFTSMAN RIDING EQUIPMENT

For two (2) years from the date of purchase, if this Craftsman Riding Equipment is maintained, lubricated and tuned up according to the instructions in the owner's manual, Sears will repair or replace free of charge any parts that are found to be defective in material or workmanship according to the guidelines of coverage listed below. Sears will also provide free labor for these applicable warranted parts for the two full years. During the first 30 days of purchase, there will be no charges to service the product at your home for issues covered by this warranty. (See exclusions below). For your convenience, IN HOME warranty service will still be available after the first 30 days of purchase, but a trip charge will apply. This charge will be waived if the Craftsman product is dropped off at an authorized Sears location. For the nearest authorized Sears location, please call 1-800-4-MY-HOME®. This warranty applies only while this product is within the United States.

This Warranty does not cover:

- Expendable items which become worn during normal use, including but not limited to blades, spark plugs, air cleaners, belts, and oil filters.
- Standard Maintenance Servicing, oil changes, or tune-ups
Tire replacement or repair caused by punctures from outside objects, such as nails, thorns, stumps, or glass.
- Repairs necessary because of operator abuse, including but not limited to, damage caused by towing objects beyond the capability of the riding equipment, impacting objects that bend the frame or crankshaft, or over-speeding the engine.
- Repairs necessary because of operator negligence, including but not limited to, electrical and mechanical damage caused by improper storage, failure to use the proper grade and amount of engine oil, failure to keep the deck clear of flammable debris, or failure to maintain the equipment according to the instructions contained in the owner's manual.
- Engine (fuel system) cleaning or repairs caused by fuel determined to be contaminated or oxidized (stale). In general, fuel should be used within 30 days of its purchase date.
- Normal deterioration and wear of the exterior finishes, or product label replacement.
- Riding equipment used for commercial or rental purposes.

LIMITED WARRANTY ON BATTERY

For ninety (90) days from date of purchase, if any battery included with this riding equipment proves defective in material or workmanship and our testing determines the battery will not hold a charge, Sears will replace the battery at no charge. During the first 30 days of purchase, there will be no charges to replace the battery at your HOME. After the first 30 days, for your convenience, IN-HOME warranty service will still be available but a trip charge will apply. This charge will be waived if the Craftsman product is dropped off at an authorized Sears location. For the nearest authorized Sears location, please call 1-800-4-MY-HOME®.

This battery warranty applies only while this product is within the United States.

This warranty gives you specific legal rights, and you may also have other rights, which vary, from state to state.

Sears, Roebuck and Co., Dept. 817WA, Hoffman Estates, IL 60179

SAFETY RULES

IMPORTANT: This cutting machine is capable of amputating hands and feet and throwing objects. Failure to observe the following safety instructions could result in serious injury or death.

⚠️ WARNING: In order to prevent accidental starting when setting up, transporting, adjusting or making repairs, always disconnect spark plug wire and place wire where it cannot contact spark plug.

⚠️ WARNING: Do not coast down a hill in neutral, you may lose control of the tractor.

⚠️ WARNING: Tow only the attachments that are recommended by and comply with specifications of the manufacturer of your tractor. Use common sense when towing. Operate only at the lowest possible speed when on a slope. Too heavy of a load, while on a slope, is dangerous. Tires can lose traction with the ground and cause you to lose control of your tractor.

⚠️ WARNING: Engine exhaust, some of its constituents, and certain vehicle components contain or emit chemicals known to the State of California to cause cancer and birth defects or other reproductive harm.

⚠️ WARNING: Battery posts, terminals and related accessories contain lead and lead compounds, chemicals known to the State of California to cause cancer and birth defects or other reproductive harm.

Wash hands after handling.

I. GENERAL OPERATION

- Read, understand, and follow all instructions on the machine and in the manual before starting.
- Do not put hands or feet near rotating parts or under the machine. Keep clear of the discharge opening at all times.
- Only allow responsible adults, who are familiar with the instructions, to operate the machine.
- Clear the area of objects such as rocks, toys, wire, etc., which could be picked up and thrown by the blades.
- Be sure the area is clear of bystanders before operating. Stop machine if anyone enters the area.
- Never carry passengers.
- Do not mow in reverse unless absolutely necessary. Always look down and behind before and while backing.

- Never direct discharged material toward anyone. Avoid discharging material against a wall or obstruction. Material may ricochet back toward the operator. Stop the blades when crossing gravel surfaces.
- Do not operate machine without the entire grass catcher, discharge guard, or other safety devices in place and working.
- Slow down before turning.
- Never leave a running machine unattended. Always turn off blades, set parking brake, stop engine, and remove keys before dismounting.
- Disengage blades when not mowing. Shut off engine and wait for all parts to come to a complete stop before cleaning the machine, removing the grass catcher, or unclogging the discharge guard.
- Operate machine only in daylight or good artificial light.
- Do not operate the machine while under the influence of alcohol or drugs.
- Watch for traffic when operating near or crossing roadways.
- Use extra care when loading or unloading the machine into a trailer or truck.
- Always wear eye protection when operating machine.
- Data indicates that operators, age 60 years and above, are involved in a large percentage of riding mower-related injuries. These operators should evaluate their ability to operate the riding mower safely enough to protect themselves and others from serious injury.
- Follow the manufacturer's recommendation for wheel weights or counterweights.
- Keep machine free of grass, leaves or other debris build-up which can touch hot exhaust / engine parts and burn. Do not allow the mower deck to plow leaves or other debris which can cause build-up to occur. Clean any oil or fuel spillage before operating or storing the machine. Allow machine to cool before storage.

SAFETY RULES

II. SLOPE OPERATION

Slopes are a major factor related to loss of control and tip-over accidents, which can result in severe injury or death. Operation on all slopes requires extra caution. If you cannot back up the slope or if you feel uneasy on it, do not mow it.

- Mow up and down slopes, not across.
- Watch for holes, ruts, bumps, rocks, or other hidden objects. Uneven terrain could overturn the machine. Tall grass can hide obstacles.
- Choose a low ground speed so that you will not have to stop or shift while on the slope.
- Do not mow on wet grass. Tires may lose traction.
Always keep the machine in gear when going down slopes. Do not shift to neutral and coast downhill.
- Avoid starting, stopping, or turning on a slope. If the tires lose traction, disengage the blades and proceed slowly straight down the slope.
- Keep all movement on the slopes slow and gradual. Do not make sudden changes in speed or direction, which could cause the machine to roll over.
- Use extra care while operating machine with grass catchers or other attachments; they can affect the stability of the machine. Do not use on steep slopes.
- Do not try to stabilize the machine by putting your foot on the ground.
- Do not mow near drop-offs, ditches, or embankments. The machine could suddenly roll over if a wheel is over the edge or if the edge caves in.

III. CHILDREN

Tragic accidents can occur if the operator is not alert to the presence of children. Children are often attracted to the machine and the mowing activity. Never assume that children will remain where you last saw them.

- Keep children out of the mowing area and in the watchful care of a responsible adult other than the operator.
- Be alert and turn machine off if a child enters the area.
- Before and while backing, look behind and down for small children.

- Never carry children, even with the blades shut off. They may fall off and be seriously injured or interfere with safe machine operation. Children who have been given rides in the past may suddenly appear in the mowing area for another ride and be run over or backed over by the machine.
- Never allow children to operate the machine.
- Use extra care when approaching blind corners, shrubs, trees, or other objects that may block your view of a child.

IV. TOWING

- Tow only with a machine that has a hitch designed for towing. Do not attach towed equipment except at the hitch point.
- Follow the manufacturer's recommendation for weight limits for towed equipment and towing on slopes.
- Never allow children or others in or on towed equipment.
- On slopes, the weight of the towed equipment may cause loss of traction and loss of control.
- Travel slowly and allow extra distance to stop.

V. SERVICE

SAFE HANDLING OF GASOLINE

To avoid personal injury or property damage, use extreme care in handling gasoline. Gasoline is extremely flammable and the vapors are explosive.

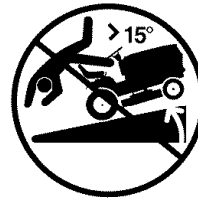
- Extinguish all cigarettes, cigars, pipes, and other sources of ignition.
- Use only approved gasoline container.
- Never remove gas cap or add fuel with the engine running. Allow engine to cool before refueling.
- Never fuel the machine indoors.
- Never store the machine or fuel container where there is an open flame, spark, or pilot light such as on a water heater or other appliances.
- Never fill containers inside a vehicle or on a truck or trailer bed with plastic liner. Always place containers on the ground away from your vehicle when filling.

SAFETY RULES

- Remove gas-powered equipment from the truck or trailer and refuel it on the ground. If this is not possible, then refuel such equipment with a portable container, rather than from a gasoline dispenser nozzle.
- Keep the nozzle in contact with the rim of the fuel tank or container opening at all times until fueling is complete. Do not use a nozzle lock-open device.
- If fuel is spilled on clothing, change clothing immediately.
- Never overfill fuel tank. Replace gas cap and tighten securely.
- Keep machine free of grass, leaves, or other debris build-up. Clean oil or fuel spillage and remove any fuel-soaked debris. Allow machine to cool before storing.
- If you strike a foreign object, stop and inspect the machine. Repair, if necessary, before restarting.
- Never make any adjustments or repairs with the engine running.
- Check grass catcher components and the discharge guard frequently and replace with manufacturer's recommended parts, when necessary.
- Mower blades are sharp. Wrap the blade or wear gloves, and use extra caution when servicing them.
- Check brake operation frequently. Adjust and service as required.
- Maintain or replace safety and instruction labels, as necessary.

GENERAL SERVICE

- Never operate machine in a closed area.
- Keep all nuts and bolts tight to be sure the equipment is in safe working condition.
- Never tamper with safety devices. Check their proper operation regularly.



- Be sure the area is clear of bystanders before operating. Stop machine if anyone enters the area.
- Never carry passengers.
- Do not mow in reverse unless absolutely necessary. Always look down and behind before and while backing.
- Never carry children, even with the blades shut off. They may fall off and be seriously injured or interfere with safe machine operation. Children who have been given rides in the past may suddenly appear in the mowing area for another ride and be run over or backed over by the machine.
- Keep children out of the mowing area and in the watchful care of a responsible adult other than the operator.
- Be alert and turn machine off if a child enters the area.
- Before and while backing, look behind and down for small children.
- Mow up and down slopes (15° Max), not across.
- Choose a low ground speed so that you will not have to stop or shift while on the slope.
- Avoid starting, stopping, or turning on a slope. If the tires lose traction, disengage the blades and proceed slowly straight down the slope.
- If machine stops while going uphill, disengage blades, shift into reverse and back down slowly.
- Do not turn on slopes unless necessary, and then, turn slowly and gradually downhill, if possible.

PRODUCT SPECIFICATIONS

| | |
|-----------------------------|---|
| Gasoline Capacity and Type: | 5 Gallons Unleaded Regular |
| Oil Type (API-SG-SL): | SAE 10W30 (above 32°F) SAE 5W30 (below 32°F) |
| Oil Capacity: | W/Filter 4.0 Pints W/O Filter 3.5 Pints |
| Spark Plug: (Gap: .030") | Champion RC12YC |
| Ground Speed (MPH): | Forward: 0-5.8 Reverse: 0-2.1 |
| Tire Pressure: | Front: 14 PSI Rear: 10 PSI |
| Charging System: | 15 Amps @ 3600 RPM |
| Battery: | Amp/Hr: 35 Min. CCA: 280 Case size: U1R |
| Blade Bolt Torque: | 45-55 Ft. Lbs. |

CONGRATULATIONS on your purchase of a new tractor. It has been designed, engineered and manufactured to give you the best possible dependability and performance.

Should you experience any problem you cannot easily remedy, please contact a Sears or other qualified service center. We have competent, well-trained technicians and the proper tools to service or repair this tractor.

Please read and retain this manual. The instructions will enable you to assemble and maintain your tractor properly. Always observe the "SAFETY RULES".

CUSTOMER RESPONSIBILITIES

- Read and observe the safety rules.
- Follow a regular schedule in maintaining, caring for and using your tractor.
- Follow the instructions under "Maintenance" and "Storage" sections of this owner's manual.

⚠️WARNING: This tractor is equipped with an internal combustion engine and should not be used on or near any unimproved forest-covered, brush-covered or grass-covered land unless the engine's exhaust system is equipped with a spark arrester meeting applicable local or state laws (if any). If a spark arrester is used, it should be maintained in effective working order by the operator.

In the state of California the above is required by law (Section 4442 of the California Public Resources Code). Other states may have similar laws. Federal laws apply on federal lands. A spark arrester for the muffler is available through your nearest Sears service center (See REPAIR PARTS section of this manual).

REPAIR PROTECTION AGREEMENTS

Congratulations on making a smart purchase. Your new Craftsman® product is designed and manufactured for years of dependable operation. But like all products, it may require repair from time to time. That's when having a Repair Protection Agreement can save you money and aggravation.

Purchase a Repair Protection Agreement now and protect yourself from unexpected hassle and expense.

Here's what's included in the Agreement:

- **Expert service** by our 12,000 professional repair specialists.
- **Unlimited service and no charge** for parts and labor on all covered repairs.
- **Product replacement** if your covered product can't be fixed.
- **Discount of 10%** from regular price of service and service-related parts not covered by the agreement; also, 10% off regular price of preventive maintenance check.
- **Fast help by phone** – phone support from a Sears technician on products requiring in-home repair, plus convenient repair scheduling.

Once you purchase the Agreement, a simple phone call is all that it takes for you to schedule service. You can call anytime day or night, or schedule a service appointment online.

Sears has over 12,000 professional repair specialists, who have access to over 4.5 million quality parts and accessories.

That's the kind of professionalism you can count on to help prolong the life of your new purchase for years to come. Purchase your Repair Protection Agreement today!

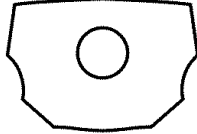
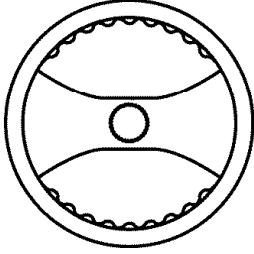
Some limitations and exclusions apply. For prices and additional information call 1-800-827-6655.

SEARS INSTALLATION SERVICE

For Sears professional installation of home appliances, garage door openers, water heaters, and other major home items, in the U.S.A. call 1-800-4-MY-HOME®

UNASSEMBLED PARTS

Steering Wheel



Steering Wheel Insert



Steering Wheel Adapter

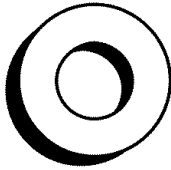


Steering Sleeve

Gauge Wheels



(4) Retainer Springs (double loop)

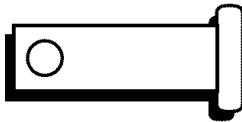
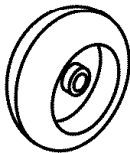


(4) Washers 3/8 x 3/4 x 14 Ga.

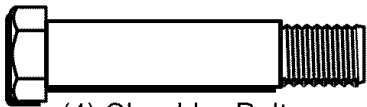


(4) Locknut 3/8-16

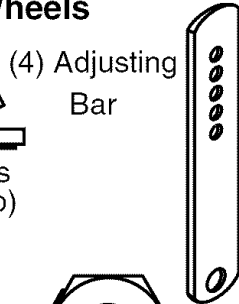
(4) Wheels



(4) Clevis Pins

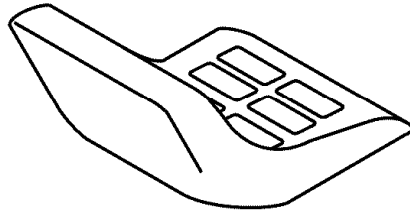


(4) Shoulder Bolt

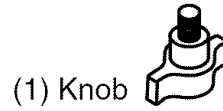


(4) Adjusting Bar

Seat



(1) Washer 17/32 x 1-3/16 x 12 Gauge



(1) Knob

Mower



(2) Retainer Springs (double loop)

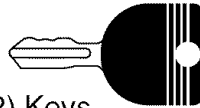


(2) Flanged Pins



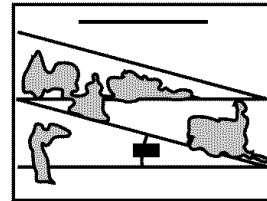
(1) Oil Drain Tube For Future Use

Keys



(2) Keys

Slope Sheet



ASSEMBLY/PRE-OPERATION

Your new tractor has been assembled at the factory with the exception of those parts left unassembled for shipping purposes. To ensure safe and proper operation of your tractor all parts and hardware you assemble must be tightened securely. Use the correct tools as necessary to insure proper tightness.

TOOLS REQUIRED FOR ASSEMBLY

A socket wrench set will make assembly easier. Standard wrench sizes you need are listed below.

- (1) 9/16" wrench
- (1) Pliers
- (1) 1/2" wrench
- (1) Utility knife
- (1) 3/4" socket with drive ratchet
- (1) Tire pressure gauge

When right or left hand is mentioned in this manual, it means, from your point of view, when you are in the operating position (seated behind the steering wheel).

TO REMOVE TRACTOR FROM CARTON

UNPACK CARTON

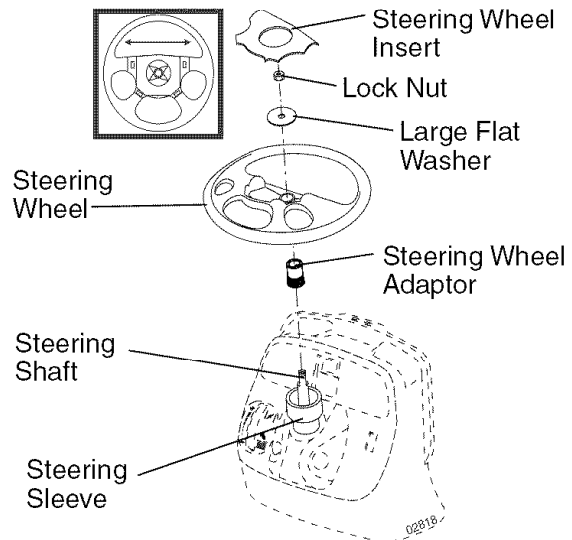
1. Remove all accessible loose parts and parts boxes from carton.
2. Cut along dotted lines on all four panels of carton. Remove end panels and lay side panels flat.
3. Remove mower and packing materials.
4. Check for any additional loose parts or cartons and remove.

BEFORE REMOVING TRACTOR FROM SKID

ATTACH STEERING WHEEL

1. Remove locknut and large flat washer from steering shaft.
2. Position front wheels of the tractor so they are pointing straight forward.
3. Slide the steering sleeve over the steering shaft.
4. Position steering wheel so cross bars are horizontal (left to right) and slide onto steering wheel adaptor.
5. Secure steering wheel to steering shaft with locknut and large flat washer previously removed. Tighten securely.
6. Snap steering wheel insert into center of steering wheel.
7. Remove protective materials from tractor hood and grill.

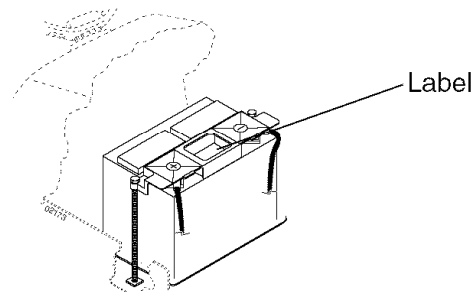
IMPORTANT: Check for and remove any staples in skid that may puncture tires where tractor is to roll off skid.



CHECK BATTERY

1. Lift hood to raised position.

NOTE: If this battery is put into service after month and year indicated on label (label located between terminals) charge battery for minimum of one hour at 6-10 amps. (See "BATTERY" in Maintenance section of this manual for charging instructions).

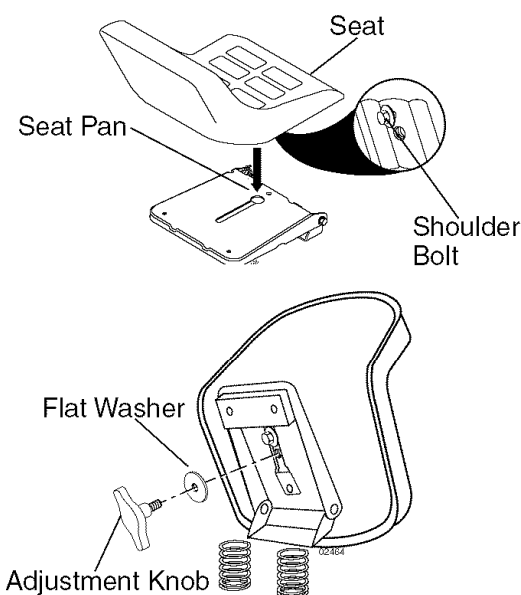


INSTALL SEAT

Adjust seat before tightening adjustment knob.

1. Remove adjustment knob and flat washer securing seat to cardboard packing and set aside for assembly of seat to tractor.
2. Pivot seat upward and remove from the cardboard packing. Remove the cardboard packing and discard.

3. Place seat on seat pan so head of shoulder bolt is positioned over large slotted hole in pan.
4. Push down on seat to engage shoulder bolt in slot and pull seat towards rear of tractor.
5. Pivot seat and pan forward and assemble adjustment knob and flat washer loosely. Do not tighten.
6. Lower seat into operating position and sit in seat.
7. Slide seat until a comfortable position is reached which allows you to press clutch/brake pedal all the way down.
8. Get off seat without moving its adjusted position.
9. Raise seat and tighten adjustment knob securely.



NOTE: You may now roll or drive your tractor off the skid. Follow the appropriate instruction below to remove the tractor from the skid.

TO ROLL TRACTOR OFF SKID (See Operation section for location and function of controls)

1. Press lift lever plunger and raise attachment lift lever to its highest position.
2. Release parking brake by depressing brake pedal.
3. Place freewheel control in disengaged position to disengage transmission (See "TO TRANSPORT" in the Operation section of this manual).
4. Roll tractor forward off skid.

TO DRIVE TRACTOR OFF SKID (See Operation section for location and function of controls)

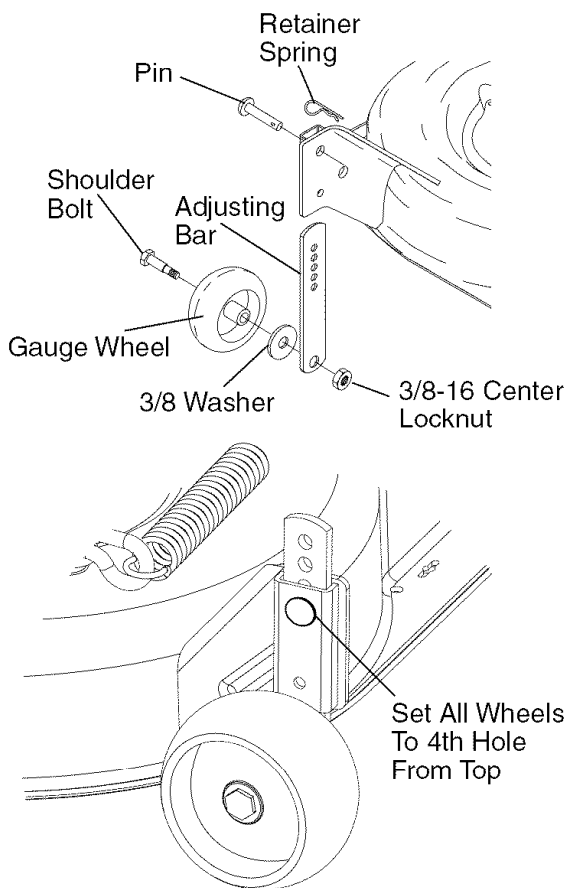
WARNING: Before starting, read, understand and follow all instructions in the Operation section of this manual. Be sure tractor is in a well-ventilated area. Be sure the area in front of tractor is clear of other people and objects.

1. Be sure all the above assembly steps have been completed.
2. Check engine oil level and fill fuel tank with gasoline.
3. Place freewheel control in "transmission engaged" position (see "TO TRANSPORT" in Operation section of this manual).
4. Sit on seat in operating position, depress brake pedal and set the parking brake.
5. Press lift lever plunger and raise attachment lift lever to its highest position.
6. Start the engine. After engine has started, move throttle control to idle position.
7. Release parking brake.
8. Slowly move the motion control lever forward and slowly drive tractor off skid.
9. Apply brake to stop tractor and set parking brake.
10. Turn ignition key to "STOP" position. Continue with the instructions that follow.

ASSEMBLE GAUGE WHEELS TO MOWER DECK

The gauge wheels are designed to keep the mower deck in proper position when operating mower.

1. Slide gauge wheel bar down into bracket channel, Be sure that gauge wheel bar aligning holes are on top. Assemble gauge wheels as shown using shoulder bolts, 3/8 washers and 3/8-16 center locknuts and tighten securely.
2. For ease of mower to tractor assembly, set all the gauge wheels in the fourth hole from top. Retain with clevis pins and spring retainers.



INSTALL MOWER AND DRIVE BELT

See MOWER AND DRIVE BELT ASSEMBLY Supplement Sheet for additional guidance on this assembly.

Be sure tractor is on level surface and mower suspension arms are raised with attachment lift control. Engage parking brake.

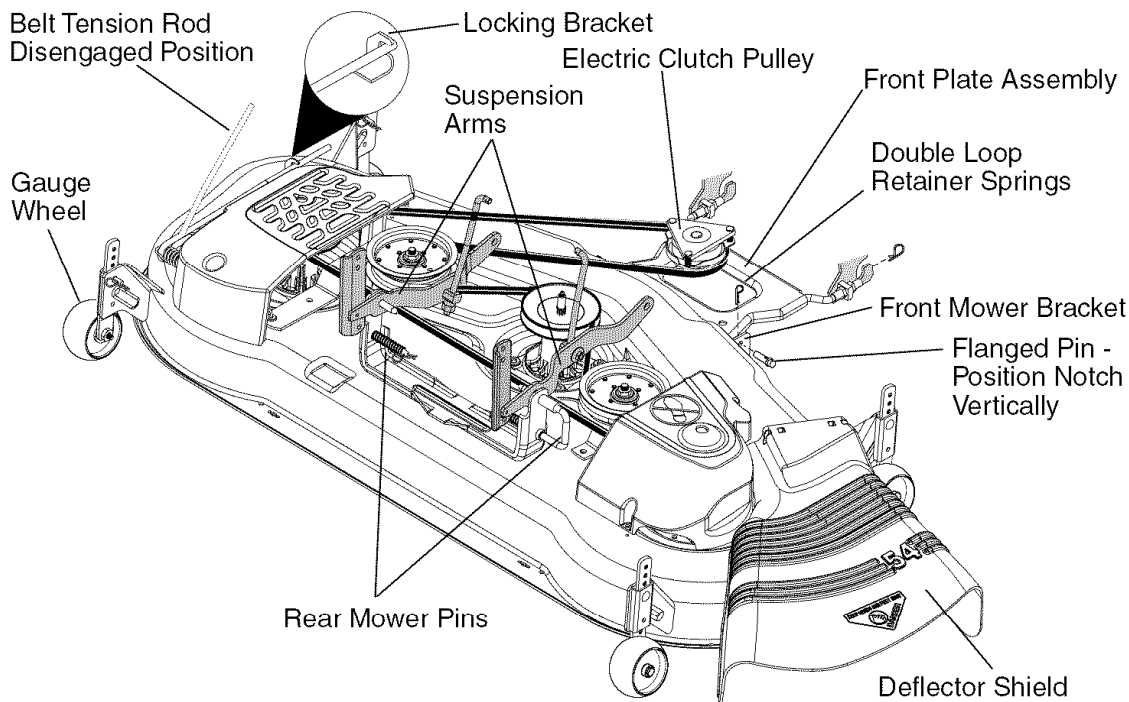
1. Turn steering wheel to the left as far as it will go and position mower on right side of tractor with deflector shield to the right.

2. Remove plastic tie strap from mower belt and check belt for proper routing in all mower pulley grooves.
3. Slide mower under tractor until it is centered under tractor. DO NOT connect any pins. When properly centered the front mower brackets should be aligned so when the front suspension plate is lowered it should slide between the mower brackets.
4. Lower attachment lift lever to lowest position.
5. Cut plastic tie and lower front suspension plate.
6. ATTACH FRONT PLATE - From left side of mower, position front plate assembly between front mower brackets, align holes, position flanged pin notch vertically and insert the pin all the way. The notch is in line with the hole in pin.
7. Secure pin with double loop retainer spring between the plate and mower bracket. If necessary, move mower side-to-side to give space between plate and mower bracket.
8. Go to right hand side of mower and insert pin and retainer spring in the same manner.
9. CONNECT REAR PINS - Connect right hand side first. Pull out and hold the spring loaded pin, align hole in suspension arm and release pin. Be sure pin returns to fully seated position and is attached to the suspension arm.
10. Go to left side of mower and connect rear pin in the same manner.
11. Disengage belt tension rod.
12. From right side of tractor, install belt onto engine clutch pulley.
13. Engage belt tension rod on locking bracket.
14. Raise attachment lift lever to highest position.
15. Adjust gauge wheels before operating mower as shown in the Operation section of this manual.

CHECK TIRE PRESSURE

The tires on your tractor were overinflated at the factory for shipping purposes. Correct tire pressure is important for best cutting performance.

- Reduce tire pressure to PSI shown in "PRODUCT SPECIFICATIONS" section of this manual.



CHECK MOWER LEVELNESS

For best cutting results, mower should be properly leveled. See "TO LEVEL MOWER HOUSING" in the Service and Adjustments section of this manual.

CHECK FOR PROPER POSITION OF ALL BELTS

See the figures that are shown for replacing motion, mower drive, and mower blade drive belts in the Service and Adjustments section of this manual. Verify that the belts are routed correctly.

CHECK BRAKE SYSTEM

After you learn how to operate your tractor, check to see that the brake is properly adjusted. See "TO ADJUST BRAKE" in the Service and Adjustments section of this manual.

✓CHECKLIST

Before you operate your new tractor, we wish to assure that you receive the best performance and satisfaction from this Quality Product.

Please review the following checklist:

- ✓ All assembly instructions have been completed.
- ✓ No remaining loose parts in carton.
- ✓ Battery is properly prepared and charged. (Minimum 1 hour at 6 amps).
- ✓ Seat is adjusted comfortably and tightened securely.
- ✓ All tires are properly inflated. (For shipping purposes, the tires were overinflated at the factory).

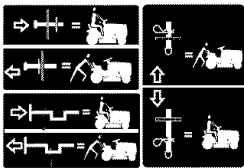
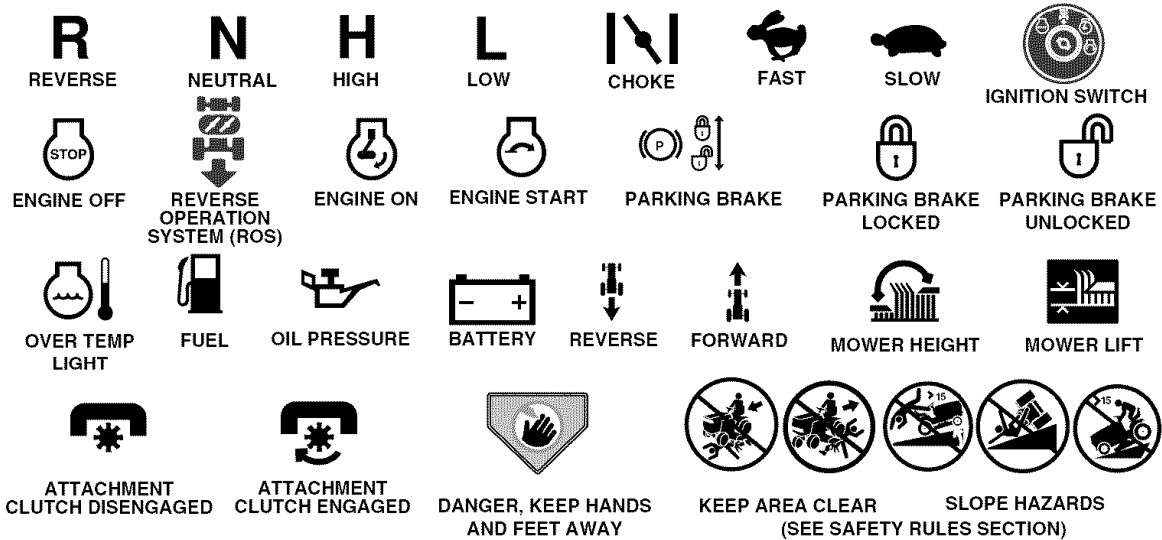
- ✓ Be sure mower deck is properly leveled side-to-side/front-to-rear for best cutting results. (Tires must be properly inflated for leveling).
- ✓ Check mower and drive belts. Be sure they are routed properly around pulleys and inside all belt keepers.
- ✓ Check wiring. See that all connections are still secure and wires are properly clamped.
- ✓ Before driving tractor, be sure freewheel control is in "transmission engaged" position (see "TO TRANSPORT" in the Operation section of this manual).

While learning how to use your tractor, pay extra attention to the following important items:

- ✓ Engine oil is at proper level.
- ✓ Fuel tank is filled with fresh, clean, regular unleaded gasoline.
- ✓ Become familiar with all controls, their location and function. Operate them before you start the engine.
- ✓ Be sure brake system is in safe operating condition.
- ✓ Be sure Operator Presence System and Reverse Operation System (ROS) are working properly (See the Operation and Maintenance sections in this manual).
- ✓ It is important to purge the transmission before operating your tractor for the first time. Follow proper starting and transmission purging instructions (See "TO START ENGINE" and "PURGE TRANSMISSION" in the Operation section of this manual).

OPERATION

These symbols may appear on your tractor or in literature supplied with the product. Learn and understand their meaning.



FREE WHEEL
(Automatic Models only)



Failure to follow instructions could result in serious injury or death. The safety alert symbol is used to identify safety information about hazards which can result in death, serious injury and/or property damage.



DANGER indicates a hazard which, if not avoided, will result in death or serious injury.



WARNING indicates a hazard which, if not avoided, could result in death or serious injury.



CAUTION indicates a hazard which, if not avoided, might result in minor or moderate injury.

CAUTION when used **without** the alert symbol, indicates a situation that **could result in damage to the tractor and/or engine.**



HOT SURFACES indicates a hazard which, if not avoided, could result in death, serious injury and/or property damage.

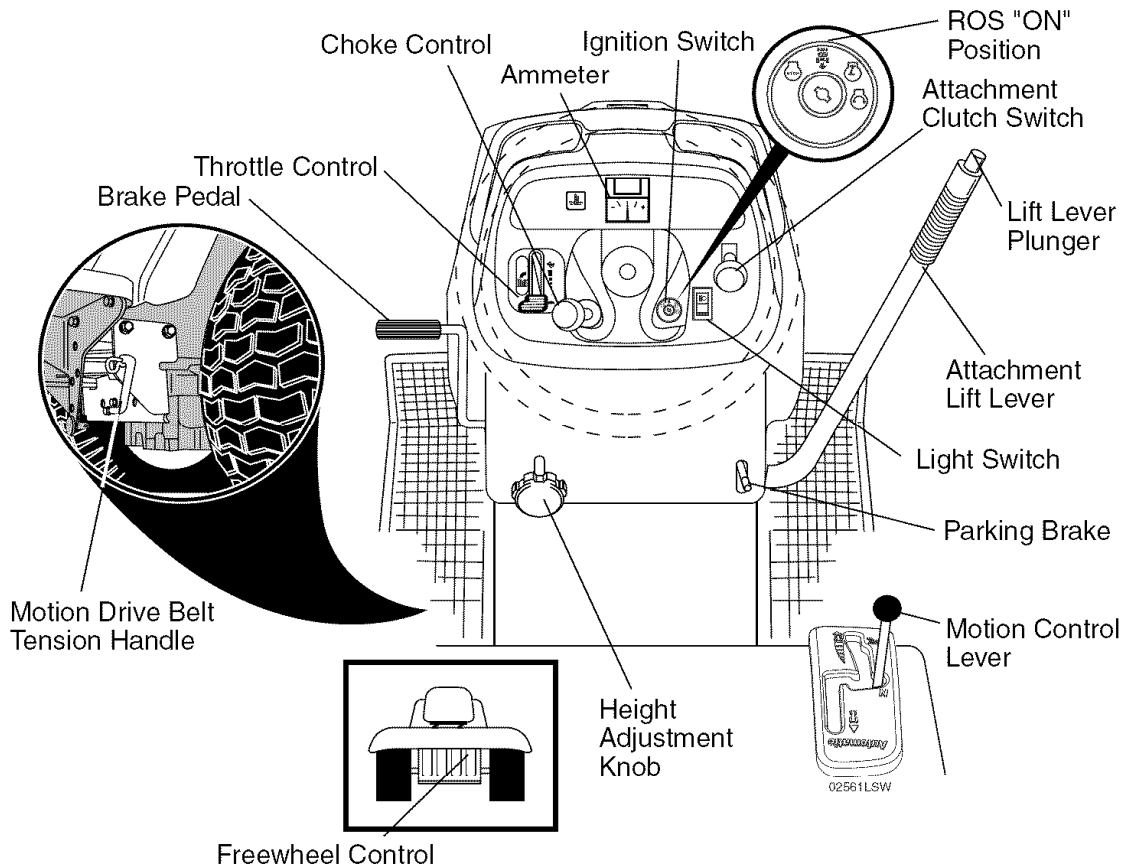


FIRE indicates a hazard which, if not avoided, could result in death, serious injury and/or property damage.

KNOW YOUR TRACTOR

READ THIS OWNER'S MANUAL AND SAFETY RULES BEFORE OPERATING YOUR TRACTOR

Compare the illustrations with your tractor to familiarize yourself with the locations of various controls and adjustments. Save this manual for future reference.



Our tractors conform to the safety standards of the American National Standards Institute.

AMMETER - Indicates battery charging (+) or discharging (-).

ATTACHMENT CLUTCH SWITCH - Used to engage the mower blades, or other attachments mounted to your tractor.

ATTACHMENT LIFT LEVER - Used to raise and lower the mower deck or other attachments mounted to your tractor.

BRAKE PEDAL - Used for braking the tractor and starting the engine.

CHOKE CONTROL - Used when starting a cold engine.

FREEWHEEL CONTROL - Disengages transmission for pushing or slowly towing the tractor with the engine off.

HEIGHT ADJUSTMENT KNOB - Used to adjust the mower cutting height.

IGNITION SWITCH - Used for starting and stopping the engine.

LIFT LEVER PLUNGER - Used to release attachment lift lever when changing its position.

LIGHT SWITCH - Turns the headlights on and off.

MOTION CONTROL LEVER - Selects the speed and direction of the tractor.

MOTION DRIVE BELT TENSION HANDLE - Used when changing motion drive belt and, if necessary, starting engine under extremely cold conditions.

PARKING BRAKE - Locks clutch/brake into the brake position.

REVERSE OPERATION SYSTEM (ROS) "ON" POSITION - Allows operation of mower deck or other powered attachment while in reverse.

THROTTLE CONTROL - Used to control engine speed.

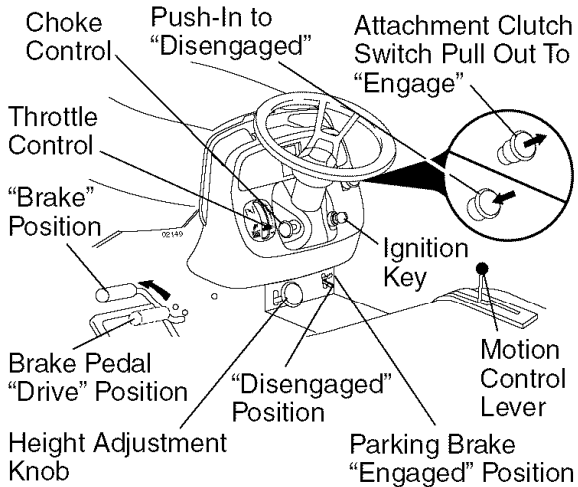


The operation of any tractor can result in foreign objects thrown into the eyes, which can result in severe eye damage. Always wear safety glasses or eye shields while operating your tractor or performing any adjustments or repairs. We recommend standard safety glasses or a wide vision safety mask worn over spectacles.

HOW TO USE YOUR TRACTOR TO SET PARKING BRAKE

Your tractor is equipped with an operator presence sensing switch. When engine is running, any attempt by the operator to leave the seat without first setting the parking brake will shut off the engine.

1. Depress brake pedal all the way down and hold.
2. Pull parking brake lever up and release pressure from brake pedal. Pedal should remain in brake position. Make sure parking brake will hold tractor secure.



STOPPING

MOWER BLADES -

- To stop mower blades, push attachment clutch switch in to disengaged position.

GROUND DRIVE -

- To stop ground drive, depress brake pedal all the way down.

IMPORTANT: The motion control lever returns to neutral (N) position when the brake pedal is fully depressed.

ENGINE -

- Move throttle control between half and full speed (fast) position.

NOTE: Failure to move throttle control between half and full speed (fast) position, before stopping, may cause engine to "backfire".

- Turn ignition key to "STOP" position and remove key. Always remove key when leaving tractor to prevent unauthorized use.
- Never use choke to stop engine.

IMPORTANT: Leaving the ignition switch in any position other than "STOP" will cause the battery to discharge and go dead.

NOTE: Under certain conditions when tractor is standing idle with the engine running, hot engine exhaust gases may cause "browning" of grass. To eliminate this possibility, always stop engine when stopping tractor on grass areas.

CAUTION: Always stop tractor completely, as described above, before leaving the operator's position.

TO USE THROTTLE CONTROL

Always operate engine at full throttle.

- Operating engine at less than full throttle reduces the battery charging rate.
- Full throttle offers the best mower performance.

TO USE CHOKE CONTROL

Use choke control whenever you are starting a cold engine. Do not use to start a warm engine.

- To engage choke control, pull knob out. Slowly push knob in to disengage.

TO MOVE FORWARD AND BACKWARD

CAUTION: Do not attempt to operate motion control lever when the parking brake is set or when the brake pedal is depressed. Doing so may result in misadjustment to the drive control system.

The direction and speed of movement is controlled by the motion control lever.

1. Start tractor with motion control lever in neutral (N) position.
2. Release parking brake.
3. Slowly move motion control lever to desired position.

TO ADJUST MOWER CUTTING HEIGHT

The cutting height is controlled by turning the height adjustment knob in desired direction.

- Turn knob clockwise (↻) to raise cutting height.
- Turn knob counterclockwise (↺) to lower cutting height.

The cutting height range is approximately 1-1/2" to 4-1/2". The heights are measured from the ground to the blade tip with the engine not running. These heights are approximate and may vary depending upon soil conditions, height of grass and types of grass being mowed.

- The average lawn should be cut to approximately 2-1/2 inches during the cool season and to over 3 inches during hot months. For healthier and better looking lawns, mow often and after moderate growth.
- For best cutting performance, grass over 6 inches in height should be mowed twice. Make the first cut relatively high; the second to desired height.

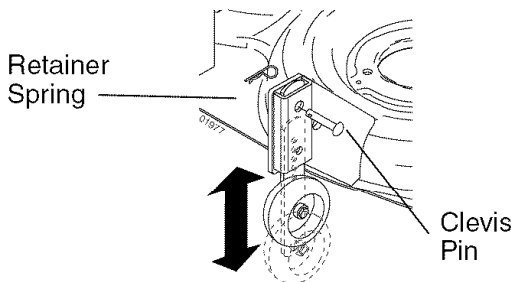
TO ADJUST GAUGE WHEELS

Gauge wheels are properly adjusted when they are slightly off the ground when mower is at the desired cutting height in operating position. Gauge wheels then keep the deck in proper position to help prevent scalping in most terrain conditions.

NOTE: Be sure tractor is on a flat level surface.

1. Lower mower and adjust mower to desired cutting height (See "TO ADJUST MOWER CUTTING HEIGHT" in this section of manual).
2. Remove retainer spring and clevis pin which secure each gauge wheel bar.
3. Lower gauge wheels to ground. Raise gauge wheels slightly to align holes in bracket and gauge wheel bar and insert clevis pin. Gauge wheels should be slightly off the ground.
4. Replace retainer spring into clevis pin.
5. Be sure all gauge wheels are in the same setting.

IMPORTANT: Be sure to readjust gauge wheels if you change the cutting height of the mower deck.



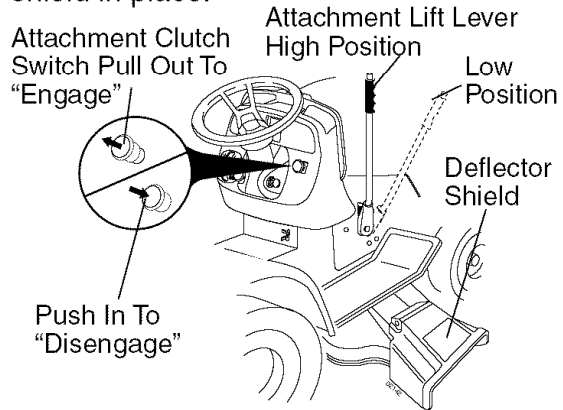
TO OPERATE MOWER

Your tractor is equipped with an operator presence sensing switch. Any attempt by the operator to leave the seat with the engine running and the attachment clutch engaged will shut off the engine. You must remain fully and centrally positioned in the seat to prevent the engine from hesitating or cutting off when operating your equipment on rough, rolling terrain or hills.

1. Select desired height of cut.
2. Lower mower with attachment lift control.
3. Start mower blades by engaging attachment clutch control.

TO STOP MOWER BLADES - disengage attachment clutch control.

CAUTION: Do not operate the mower without either the entire grass catcher, on mowers so equipped, or the deflector shield in place.



REVERSE OPERATION SYSTEM (ROS)

Your tractor is equipped with a Reverse Operation System (ROS). Any attempt by the operator to travel in the reverse direction with the attachment clutch engaged will shut off the engine unless ignition key is placed in the ROS "ON" position.

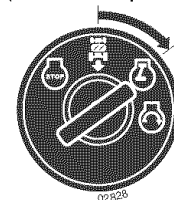
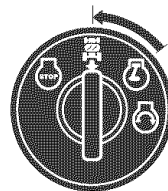
WARNING: Backing up with the attachment clutch engaged while mowing is strongly discouraged. Turning the ROS "ON", to allow reverse operation with the attachment clutch engaged, should only be done when the operator decides it is necessary to reposition the machine with the attachment engaged. **Do not mow in reverse unless absolutely necessary.**

USING THE REVERSE OPERATION SYSTEM -

1. Move motion control lever to neutral (N) position.
2. With engine running, turn ignition key counterclockwise to ROS "ON" position.
3. Look down and behind before backing.
4. Slowly move motion control lever to reverse (R) position to start movement.
5. When use of the ROS is no longer needed, turn the ignition key clockwise to engine "ON" position.

ROS "ON" Position

Engine "ON" Position
(Normal Operating)



TO OPERATE ON HILLS

⚠WARNING: Do not drive up or down hills with slopes greater than 15° and do not drive across any slope. Use the slope guide provided at the back of this manual.

- Choose the slowest speed before starting up or down hills.
- Avoid stopping or changing speed on hills.
- If stopping is absolutely necessary, push brake pedal quickly to brake position and engage parking brake.

IMPORTANT: The motion control lever returns to neutral (N) position when the brake pedal is depressed.

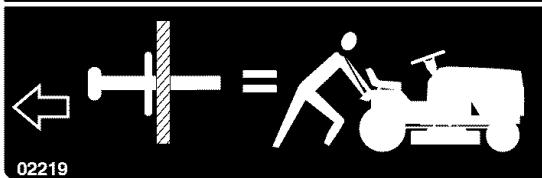
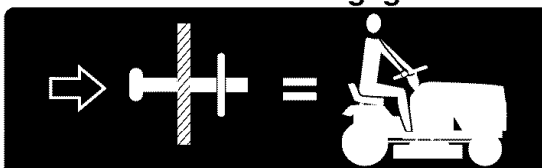
- To restart movement, slowly release parking brake and brake pedal.
- Slowly move motion control lever to slowest setting.
- Make all turns slowly.

TO TRANSPORT

When pushing or towing your tractor, be sure to disengage transmission by placing freewheel control in freewheeling position. Freewheel control is located at the rear drawbar of tractor.

1. Raise attachment lift to highest position with attachment lift control.
 2. Pull freewheel control out and into the slot and release so it is held in the disengaged position.
- Do not push or tow tractor at more than two (2) MPH.
 - To re-engage transmission, reverse above procedure.

Transmission Engaged



Transmission Disengaged

NOTE: To protect hood from damage when transporting your tractor on a truck or a trailer, be sure hood is closed and secured to tractor. Use an appropriate means of tying hood to tractor (rope, cord, etc.).

TOWING CARTS AND OTHER ATTACHMENTS

Tow only the attachments that are recommended by and comply with specifications of the manufacturer of your tractor. Use common sense when towing. Too heavy of a load, while on a slope, is dangerous. Tires can lose traction with the ground and cause you to lose control of your tractor.

BEFORE STARTING THE ENGINE CHECK ENGINE OIL LEVEL

The engine in your tractor has been shipped, from the factory, already filled with summer weight oil.

1. Check engine oil with tractor on level ground.
 2. Unthread and remove oil fill cap/dipstick; wipe oil off. Reinsert the dipstick into the tube and rest oil fill cap on the tube. Do not thread the cap onto the tube. Remove and read oil level. If necessary, add oil until "FULL" mark on dipstick is reached. Do not overfill.
- For cold weather operation you should change oil for easier starting (See the oil viscosity chart in the Maintenance section of this manual).
 - To change engine oil, see the Maintenance section in this manual.

ADD GASOLINE

- Fill fuel tank to bottom of filler neck. Do not overfill. Use fresh, clean, regular unleaded gasoline with a minimum of 87 octane. (Use of leaded gasoline will increase carbon and lead oxide deposits and reduce valve life). Do not mix oil with gasoline. Purchase fuel in quantities that can be used within 30 days to assure fuel freshness.

⚠CAUTION: Wipe off any spilled oil or fuel. Do not store, spill or use gasoline near an open flame.

IMPORTANT: When operating in temperatures below 32°F (0°C), use fresh, clean winter grade gasoline to help insure good cold weather starting.

CAUTION: Alcohol blended fuels (called gasohol or using ethanol or methanol) can attract moisture which leads to separation and formation of acids during storage. Acidic gas can damage the fuel system of an engine while in storage. To avoid engine problems, the fuel system should be emptied before storage of 30 days or longer. Drain the gas tank, start the engine and let it run until the fuel lines and carburetor are empty. Use fresh fuel next season. See Storage Instructions for additional information. Never use engine or carburetor cleaner products in the fuel tank or permanent damage may occur.

TO START ENGINE

When starting the engine for the first time or if the engine has run out of fuel, it will take extra cranking time to move fuel from the tank to the engine.

1. Be sure freewheel control is in the transmission engaged position.
2. Sit on seat in operating position, depress brake pedal and set parking brake.
3. Move attachment clutch to disengaged position.
4. Move throttle control to fast position
5. Pull choke control out for a cold engine start attempt. For a warm engine start attempt the choke control may not be needed.

NOTE: Before starting, read the warm and cold starting procedures below.

6. Insert key into ignition and turn key clockwise to start position and release key as soon as engine starts. Do not run starter continuously for more than fifteen seconds per minute. If the engine does not start after several attempts, push choke control in, wait a few minutes and try again. If engine still does not start, pull the choke control out and retry.

WARM WEATHER STARTING (50° F and above)

7. When engine starts, slowly push choke control in until the engine begins to run smoothly. If the engine starts to run roughly, pull the choke control out slightly for a few seconds and then continue to push the control in slowly.
- The attachments and ground drive can now be used. If the engine does not accept the load, restart the engine and allow it to warm up for one minute using the choke as described above.

COLD WEATHER STARTING (50° F and below)

7. When engine starts, slowly push choke control in until the engine begins to run smoothly. Continue to push the choke control in small steps allowing the engine to accept small changes in speed and load, until the choke control is fully in. If the engine starts to run roughly, pull the choke control out slightly for a few seconds and then continue to push the control in slowly. This may require an engine warm-up period from several seconds to several minutes, depending on the temperature.

NOTE: In extreme cold conditions, if engine will not start you may need to disengage the motion drive belt as follows:

1. Be sure parking brake is engaged.
2. Remove retainer spring from the drive belt tension handle to relieve belt tension.
3. Start engine and allow it to warm up for three (3) minutes.
4. Shut-off engine and engage parking brake.
5. Engage drive belt tension handle and replace the retainer spring.

AUTOMATIC TRANSMISSION WARM UP

Before driving the unit in cold weather, the transmission should be warmed up as follows:

1. Be sure the tractor is on level ground.
 2. Place the motion control lever in neutral. Release the parking brake and let the brake slowly return to operating position.
 3. Allow one minute for transmission to warm up. This can be done during the engine warm up period.
- The attachments can be used during the engine warm-up period after the transmission has been warmed up and may require the choke control be pulled out slightly.

NOTE: If at a high altitude (above 3000 feet) or in cold temperatures (below 32 F) the carburetor fuel mixture may need to be adjusted for best engine performance (see "TO ADJUST CARBURETOR" in the Service and Adjustments section of this manual).

PURGE TRANSMISSION

⚠ CAUTION: Never engage or disengage freewheel lever while the engine is running.

To ensure proper operation and performance, it is recommended that the transmission be purged before operating tractor for the first time. This procedure will remove any trapped air inside the transmission which may have developed during shipping of your tractor.

IMPORTANT: Should your transmission require removal for service or replacement, it should be purged after reinstallation before operating the tractor.

1. Place tractor safely on level surface with engine off and parking brake set.
2. Disengage transmission by placing freewheel control in disengaged position (See "TO TRANSPORT" in this section of manual).
3. Sitting in the tractor seat, start engine. After the engine is running, move throttle control to slow position. Disengage parking brake.
4. Move motion control lever to full forward position and hold for five (5) seconds. Move lever to full reverse position and hold for five (5) seconds. Repeat this procedure three (3) times.

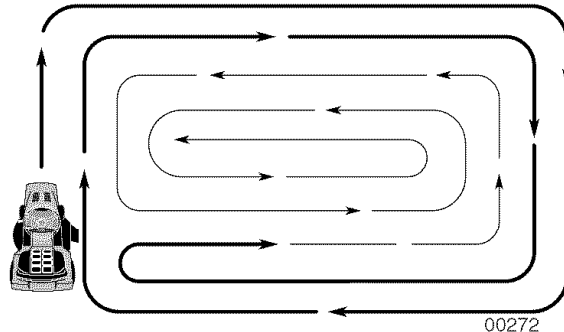
NOTE: During this step there will be no movement of drive wheels. The air is being removed from hydraulic drive system.

5. Move motion control lever to neutral (N) position. Shutoff engine and set parking brake.
6. Engage transmission by placing freewheel control in engaged position (See "TO TRANSPORT" in this section of manual).
7. Sitting in the tractor seat, start engine. After the engine is running, move throttle control to half (1/2) speed. Disengage parking brake.
8. Slowly move motion control lever forward, after the tractor moves approximately five (5) feet, slowly move motion control lever to reverse position. After the tractor moves approximately five (5) feet return the motion control lever to the neutral (N) position. Repeat this procedure with the motion control lever three (3) times.

Your transmission is now purged and now ready for normal operation.

MOWING TIPS

- Tire chains cannot be used when the mower housing is attached to tractor.
- Mower should be properly leveled for best mowing performance. See "TO LEVEL MOWER HOUSING" in the Service and Adjustments section of this manual.
- The left hand side of mower should be used for trimming.
- Drive so that clippings are discharged onto the area that has already been cut. Have the cut area to the right of the tractor. This will result in a more even distribution of clippings and more uniform cutting.
- When mowing large areas, start by turning to the right so that clippings will discharge away from shrubs, fences, driveways, etc. After one or two rounds, mow in the opposite direction making left hand turns until finished .



- If grass is extremely tall, it should be mowed twice to reduce load and possible fire hazard from dried clippings. Make first cut relatively high; the second to the desired height.
- Do not mow grass when it is wet. Wet grass will plug mower and leave undesirable clumps. Allow grass to dry before mowing.
- **Always operate engine at full throttle when mowing** to assure better mowing performance and proper discharge of material. Regulate ground speed by selecting a low enough gear to give the mower cutting performance as well as the quality of cut desired.
- When operating attachments, select a ground speed that will suit the terrain and give best performance of the attachment being used.

MAINTENANCE

| MAINTENANCE SCHEDULE | | BEFORE EACH USE | | | | | | | BEFORE STORAGE | | | | |
|---|---|-----------------|---|----------------|------------------|------------------|----------------|------------------|----------------|---------------|--|--|--|
| FILL IN DATES AS YOU COMPLETE REGULAR SERVICE | | EVERY 8 HOURS | | EVERY 25 HOURS | | EVERY 50 HOURS | | EVERY 100 HOURS | | SERVICE DATES | | | |
| T R A C T O R | Check Brake Operation | ✓ | ✓ | | | | | | | | | | |
| | Check Tire Pressure | ✓ | ✓ | | | | | | | | | | |
| | Check Operator Presence and ROS Systems | ✓ | | | | | | | | | | | |
| | Check for Loose Fasteners | ✓ | | | | | ✓ ₅ | | ✓ | | | | |
| | Sharpen/Replace Mower Blades | | | | ✓ ₃ | | | | | | | | |
| | Lubrication Chart | | | | ✓ | | | | ✓ | | | | |
| | Check Battery Level | | | | ✓ ₄ | | | | | | | | |
| | Clean Battery and Terminals | | | | ✓ | | | | ✓ | | | | |
| | Check Transaxle Cooling | | | | ✓ | | | | | | | | |
| | Check V-Belts | | | | | | | ✓ | | | | | |
| E N G I N E | Check Engine Oil Level | ✓ | ✓ | | | | | | | | | | |
| | Change Engine Oil (with oil filter) | | | | | ✓ _{1,2} | | | ✓ | | | | |
| | Change Engine Oil (without oil filter) | | | | ✓ _{1,2} | | | | | ✓ | | | |
| | Clean Air Filter | | | | ✓ ₂ | | | | | | | | |
| | Clean Air Screen | | | | ✓ ₂ | | | | | | | | |
| | Inspect Muffler/Spark Arrester | | | | | ✓ | | | | | | | |
| | Replace Oil Filter (If equipped) | | | | | | | ✓ _{1,2} | | | | | |
| | Clean Engine Cooling Fins | | | | | | | ✓ ₂ | | | | | |
| | Replace Spark Plug | | | | | | | ✓ | ✓ | | | | |
| | Replace Air Filter Paper Cartridge | | | | | | | ✓ ₂ | | | | | |
| Replace Fuel Filter | | | | | | | | ✓ | | | | | |

1 - Change more often when operating under a heavy load or in high ambient temperatures.
2 - Service more often when operating in dirty or dusty conditions.

3 - Replace blades more often when mowing in sandy soil.
4 - Not required if equipped with maintenance-free battery.
5 - Tighten front axle pivot bolt to 35 ft.-lbs. maximum. Do not overtighten.

GENERAL RECOMMENDATIONS

The warranty on this tractor does not cover items that have been subjected to operator abuse or negligence. To receive full value from the warranty, operator must maintain tractor as instructed in this manual.

Some adjustments will need to be made periodically to properly maintain your tractor.

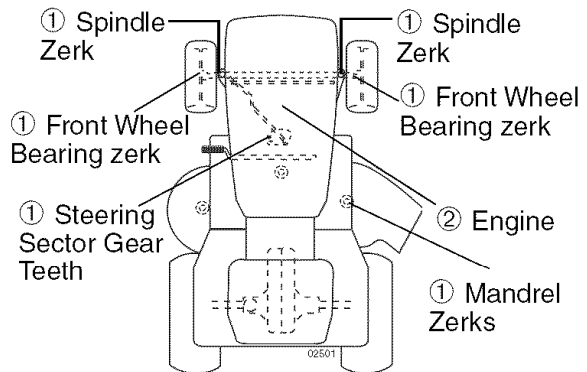
At least once a season, check to see if you should make any of the adjustments described in the Service and Adjustments section of this manual.

- At least once a year you should replace the spark plug, clean or replace air filter, and check blades and belts for wear. A new spark plug and clean air filter assure proper air-fuel mixture and help your engine run better and last longer.

BEFORE EACH USE

- Check engine oil level.
- Check brake operation.
- Check tire pressure.
- Check operator presence and ROS systems for proper operation.
- Check for loose fasteners.

LUBRICATION CHART



- ① General Purpose Grease
- ② Refer to Maintenance "ENGINE" Section

IMPORTANT: Do not oil or grease the pivot points which have special nylon bearings. Viscous lubricants will attract dust and dirt that will shorten the life of the self-lubricating bearings. If you feel they must be lubricated, use only a dry, powdered graphite type lubricant sparingly.



TRACTOR

Always observe safety rules when performing any maintenance.

BRAKE OPERATION

If tractor requires more than five (5) feet to stop at highest speed in highest gear on a level, dry concrete or paved surface, then brake must be checked and adjusted. (See "TO ADJUST BRAKE" in the Service and Adjustments section of this manual).

TIRES

- Maintain proper air pressure in all tires (See "PRODUCT SPECIFICATIONS" section of this manual).
- Keep tires free of gasoline, oil, or insect control chemicals which can harm rubber.
- Avoid stumps, stones, deep ruts, sharp objects and other hazards that may cause tire damage.

NOTE: To seal tire punctures and prevent flat tires due to slow leaks, tire sealant may be purchased from your local parts dealer. Tire sealant also prevents tire dry rot and corrosion.

OPERATOR PRESENCE SYSTEM AND REVERSE OPERATION SYSTEM (ROS)

Be sure operator presence and reverse operation systems are working properly. If your tractor does not function as described, repair the problem immediately.

- The engine should not start unless the brake pedal is fully depressed, and the attachment clutch control is in the disengaged position.

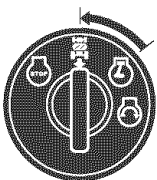
CHECK OPERATOR PRESENCE SYSTEM

- When the engine is running, any attempt by the operator to leave the seat without first setting the parking brake should shut off the engine.
- When the engine is running and the attachment clutch is engaged, any attempt by the operator to leave the seat should shut off the engine.
- The attachment clutch should never operate unless the operator is in the seat.

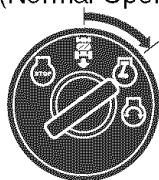
CHECK REVERSE OPERATION (ROS) SYSTEM

- When the engine is running with the ignition switch in the engine "ON" position and the attachment clutch engaged, any attempt by the operator to shift into reverse should shut off the engine.

ROS "ON" Position



Engine "ON" Position (Normal Operating)



- When the engine is running with the ignition switch in the ROS "ON" position and the attachment clutch engaged, any attempt by the operator to shift into reverse should NOT shut off the engine.

BLADE CARE

For best results mower blades must be kept sharp. Replace bent or damaged blades.

BLADE REMOVAL

1. Raise mower to highest position to allow access to blades.

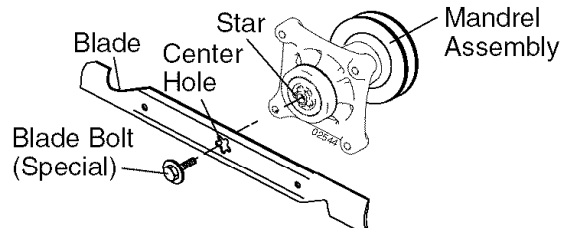
NOTE: Protect your hands with gloves and/or wrap blade with heavy cloth.

2. Remove blade bolt by turning counter-clockwise.
3. Install new or resharpened blade with stamped "THIS SIDE UP" facing deck and mandrel assembly.

IMPORTANT: To ensure proper assembly, center hole in blade must align with star on mandrel assembly.

4. Install and tighten blade bolt securely (45-55 Ft. Lbs. torque).

IMPORTANT: Special blade bolt is heat treated.



TO SHARPEN BLADE

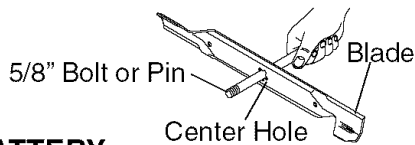
NOTE: We do not recommend sharpening blade - but if you do, be sure the blade is balanced.

Care should be taken to keep the blade balanced. An unbalanced blade will cause excessive vibration and eventual damage to mower and engine.

- The blade can be sharpened with a file or on a grinding wheel. Do not attempt to sharpen while on the mower.
- To check blade balance, you will need a 5/8" diameter steel bolt, pin, or a cone balancer. (When using a cone balancer, follow the instructions supplied with balancer.)

NOTE: Do not use a nail for balancing blade. The lobes of the center hole may appear to be centered, but are not.

- Slide blade on to an unthreaded portion of the steel bolt or pin and hold the bolt or pin parallel with the ground. If blade is balanced, it should remain in a horizontal position. If either end of the blade moves downward, sharpen the heavy end until the blade is balanced.



BATTERY

Your tractor has a battery charging system which is sufficient for normal use. However, periodic charging of the battery with an automotive charger will extend its life.

- Keep battery and terminals clean.
- Keep battery bolts tight.
- Keep small vent holes open.
- Recharge at 6-10 amperes for 1 hour.

NOTE: The original equipment battery on your tractor is maintenance free.

Do not attempt to open or remove caps or covers. Adding or checking level of electrolyte is not necessary.

TO CLEAN BATTERY AND TERMINALS

Corrosion and dirt on the battery and terminals can cause the battery to "leak" power.

1. Remove terminal guard.
2. Disconnect **BLACK** battery cable first then **RED** battery cable and remove battery from tractor.
3. Rinse the battery with plain water and dry.
4. Clean terminals and battery cable ends with wire brush until bright.
5. Coat terminals with grease or petroleum jelly.
6. Reinstall battery (See "REPLACING BATTERY" in the SERVICE AND ADJUSTMENTS section of this manual).

TRANSAXLE COOLING

The transmission fan and cooling fins should be kept clean to assure proper cooling.

Do not attempt to clean fan or transmission while engine is running or while the transmission is hot. To prevent possible damage to seals, do not use high pressure water or steam to clean transaxle.

- Inspect cooling fan to be sure fan blades are intact and clean.
- Inspect cooling fins for dirt, grass clippings and other materials. To prevent damage to seals, do not use compressed air or high pressure sprayer to clean cooling fins.

TRANSAXLE PUMP FLUID

The transaxle was sealed at the factory and fluid maintenance is not required for the life of the transaxle. Should the transaxle ever leak or require servicing, contact your nearest Sears or other qualified service center.

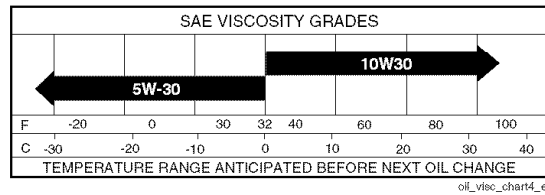
V-BELTS

Check V-belts for deterioration and wear after 100 hours of operation and replace if necessary. The belts are not adjustable. Replace belts if they begin to slip from wear.

ENGINE

LUBRICATION

Only use high quality detergent oil rated with API service classification SG-SL. Select the oil's SAE viscosity grade according to your expected operating temperature.

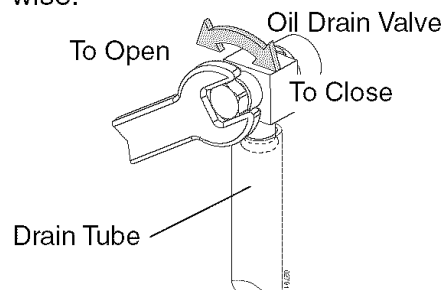


Change the oil after every 50 hours of operation or at least once a year if the tractor is not used for 50 hours in one year. Check the crankcase oil level before starting the engine and after each eight (8) hours of operation.

TO CHANGE ENGINE OIL

Determine temperature range expected before oil change. All oil must meet API service classification SG-SL.

- Be sure tractor is on level surface.
 - Oil will drain more freely when warm.
 - Catch oil in a suitable container.
1. Remove oil fill cap/dipstick. Be careful not to allow dirt to enter the engine when changing oil.
 2. Install the drain tube onto the fitting.
 3. Open drain valve by using a 7/16" (11mm) wrench turning counterclockwise.



4. After oil has drained completely, close the drain valve turning clockwise. Use the 7/16" (11mm) wrench to apply a small amount of torque to keep it closed. Do not over tighten.
5. Remove the drain tube and store in a safe place.
6. Refill engine with oil through oil fill dipstick tube. Pour slowly. Do not overfill. For approximate capacity see "PRODUCT SPECIFICATIONS" section of this manual.
7. Use gauge on oil fill cap/dipstick for checking level. Insert dipstick into the tube and rest the oil fill cap on the tube. Do not thread the cap onto the tube when taking reading. Keep oil at "FULL" line on dipstick. Tighten cap onto the tube securely when finished.

ENGINE OIL FILTER

Replace the engine oil filter every season or every other oil change if the tractor is used more than 100 hours in one year.

AIR FILTER

Your engine will not run properly using a dirty air filter. Clean the foam pre-cleaner after every 25 hours of operation or every season. Service paper cartridge every 100 hours of operation or every season, whichever occurs first.

Service air cleaner more often under dusty conditions.

1. Loosen knob and remove cover.

TO SERVICE PRE-CLEANER

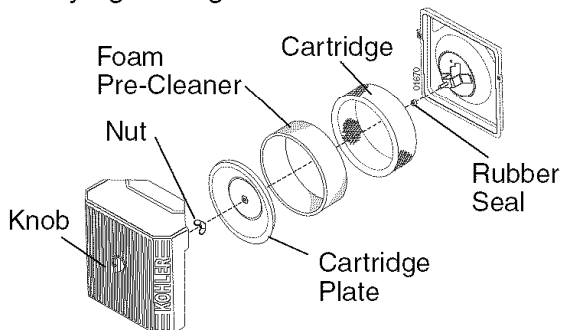
2. Slide foam pre-cleaner off cartridge.
3. Wash it in liquid detergent and water.
4. Squeeze it dry in a clean cloth. Allow it to dry.
5. Saturate it in engine oil. Wrap it in clean, absorbent cloth and squeeze to remove excess oil.

TO SERVICE CARTRIDGE

- Replace a dirty, bent, or damaged cartridge.

NOTE: Do not wash the paper cartridge or use pressurized air, as this will damage the cartridge.

1. Remove nut and cartridge plate.
2. Reinstall the pre-cleaner (cleaned and oiled) over the paper cartridge.
3. Check rubber seal for damage and proper position around stud. Replace if necessary.
4. Reassemble air cleaner, cartridge plate, and nut.
5. Reinstall air cleaner cover and secure by tightening knob.



CLEAN AIR SCREEN

Air screen must be kept free of dirt and chaff to prevent engine damage from overheating. Clean with a wire brush or compressed air to remove dirt and stubborn dried gum fibers.

CLEAN AIR INTAKE/COOLING AREAS

To insure proper cooling, make sure the grass screen, cooling fins, and other external surfaces of the engine are kept clean at all times.

Every 100 hours of operation (more often under extremely dusty, dirty conditions), remove the blower housing and other cooling shrouds. Clean the cooling fins and external surfaces as necessary. Make sure the cooling shrouds are reinstalled.

NOTE: Operating the engine with a blocked grass screen, dirty or plugged cooling fins, and/or cooling shrouds removed will cause engine damage due to overheating.

MUFFLER

Inspect and replace corroded muffler and spark arrester (if equipped) as it could create a fire hazard and/or damage.

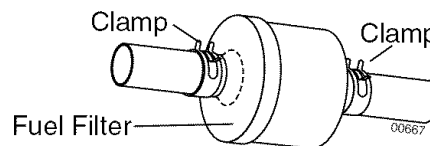
SPARK PLUG(S)

Replace spark plug(s) at the beginning of each mowing season or after every 100 hours of operation, whichever occurs first. Spark plug type and gap setting are shown in "PRODUCT SPECIFICATIONS" section of this manual.

IN-LINE FUEL FILTER

The fuel filter should be replaced once each season. If fuel filter becomes clogged, obstructing fuel flow to carburetor, replacement is required.

1. With engine cool, remove filter and plug fuel line sections.
2. Place new fuel filter in position in fuel line with arrow pointing towards carburetor.
3. Be sure there are no fuel line leaks and clamps are properly positioned.
4. Immediately wipe up any spilled gasoline.



CLEANING

- Clean engine, battery, seat, finish, etc. of all foreign matter.
- Keep finished surfaces and wheels free of all gasoline, oil, etc.
- Protect painted surfaces with automotive type wax.

We do not recommend using a garden hose or pressure washer to clean your tractor unless the engine and transmission are covered to keep water out. Water in engine or transmission will shorten the useful life of your tractor. Use compressed air or a leaf blower to remove grass, leaves and trash from tractor and mower.

SERVICE AND ADJUSTMENTS



WARNING: TO AVOID SERIOUS INJURY, BEFORE PERFORMING ANY SERVICE OR ADJUSTMENTS:

1. Depress brake pedal fully and set parking brake.
2. Place attachment clutch in "DISENGAGED" position.
3. Turn ignition key to "STOP" and remove key.
4. Make sure the blades and all moving parts have completely stopped.
5. Disconnect spark plug wire from spark plug and place wire where it cannot come in contact with plug.

TRACTOR

TO REMOVE MOWER

1. Place attachment clutch in "DISENGAGED" position.
2. Lower attachment lift lever to its lowest position.
3. Disengage belt tension rod from lock bracket.

CAUTION: Belt tension rod is spring loaded. Have a tight grip on rod and release slowly.

4. Remove mower belt from electric clutch pulley.
5. **DISCONNECT REAR MOWER PINS FIRST** - Pull out the spring loaded pin, disconnect suspension arm from pin and release pin.
6. Go to other side of mower and disconnect rear pin in the same manner.
7. Remove the four retainer springs and two flanged pins from front plate assembly and remove plate.
8. Raise attachment lift lever to its highest position.

9. Turn tractor steering wheel to the left as far as it will go.
10. Slide mower out from under right side of tractor.

TO INSTALL MOWER

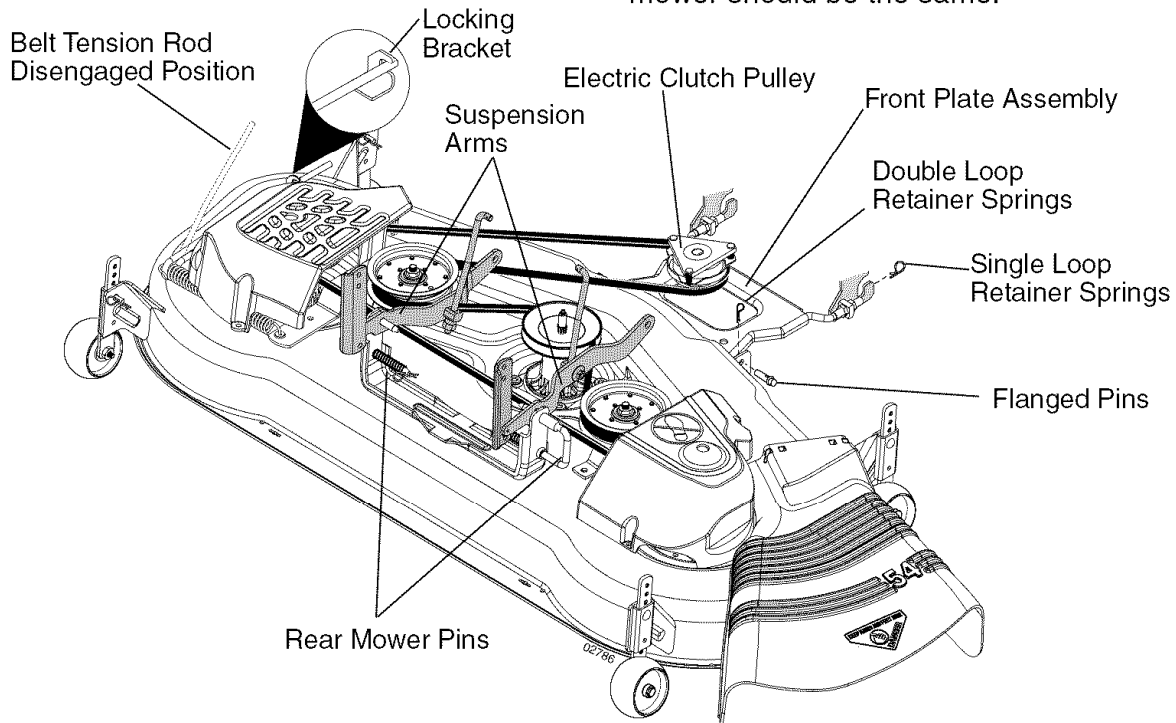
Follow procedure described in "INSTALL MOWER AND DRIVE BELT" in the Assembly section of this manual. **NOTE:** You will need to reattach front plate assembly to tractor after sliding mower under the tractor.

TO LEVEL MOWER HOUSING

Adjust the mower while tractor is parked on level ground or driveway. Make sure tires are properly inflated (See "PRODUCT SPECIFICATIONS" section of this manual). If tires are over or underinflated, you will not properly adjust your mower.

SIDE-TO-SIDE ADJUSTMENT

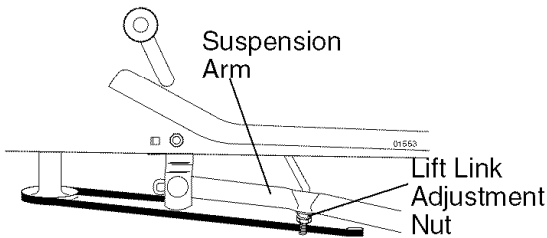
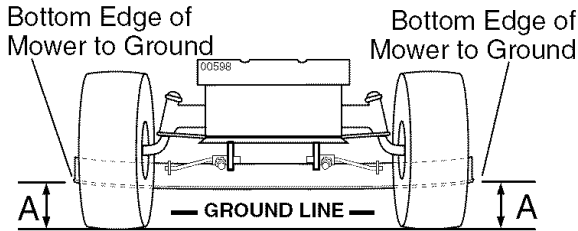
- Raise mower to its highest position.
- Measure height from bottom edge of mower to ground level at front corners of mower. Distance "A" on both sides of mower should be the same.



- If adjustment is necessary, make adjustment on one side of mower only.
- To raise one side of mower, tighten lift link adjustment nut on that side.
- To lower one side of mower, loosen lift link adjustment nut on that side.

NOTE: Each full turn of adjustment nut will change mower height about 3/16".

- Recheck measurements after adjusting.



FRONT-TO-BACK ADJUSTMENT

IMPORTANT: Deck must be level side-to-side. If the following front-to-back adjustment is necessary, be sure to adjust both front links equally so mower will stay level side-to-side.

To obtain the best cutting results, the mower blades should be adjusted so the front tip is approximately 1/8" to 1/2" lower than the rear tip when the mower is in its highest position.

CAUTION: Blades are sharp. Protect your hands with gloves and/or wrap blade with heavy cloth.

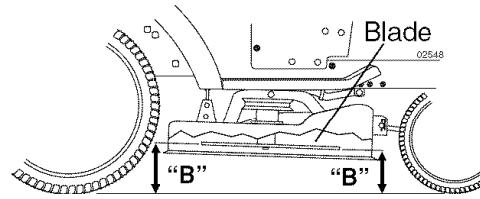
Check adjustment on right side of tractor. Position any blade so the tip is pointing straight forward. Measure distance "B" at front and rear tip of blade

- Before making any necessary adjustments, check that both front plate links are equal in length.
- If links are not equal in length, adjust one link to same length as other link.
- To lower front of blade, loosen nut "C" on both front links an equal number of turns.

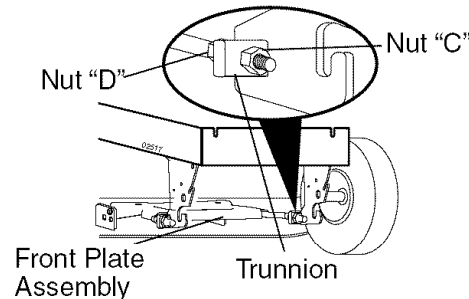
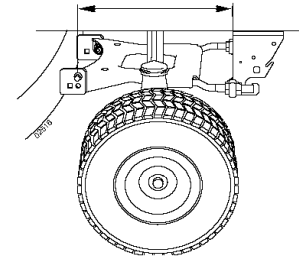
NOTE: Each full turn of nut "C" will change distance "B" by approximately 3/16".

- When distance "B" is 1/8" to 1/2" lower at front than rear, tighten nut "D" against trunnion on both front links.
- To raise front of blade, loosen nut "D" from trunnion on both front links. Tighten nut "C" on both front links an equal number of turns. The two front links must remain equal in length.

- When distance "B" is 1/8" to 1/2" lower at front than rear, tighten nut "D" against trunnion on both front links.
- Recheck side-to-side adjustment.



BOTH FRONT PLATE LINKS MUST BE EQUAL IN LENGTH



TO REPLACE MOWER DRIVE BELT

MOWER DRIVE BELT REMOVAL

1. Park tractor on a level surface. Engage parking brake.
2. Lower attachment lift lever to its lowest position.
3. Disengage belt tension rod from lock bracket.

CAUTION: Belt tension rod is spring loaded. Have a firm grip on rod and release slowly.

4. Remove screws from R.H. and L.H. mandrel covers and remove covers.
5. Remove any dirt or grass clippings which may have accumulated around mandrels and entire upper deck surface.
6. Remove belt from electric clutch pulley, both mandrel pulleys and all idler pulleys.

MOWER DRIVE BELT INSTALLATION

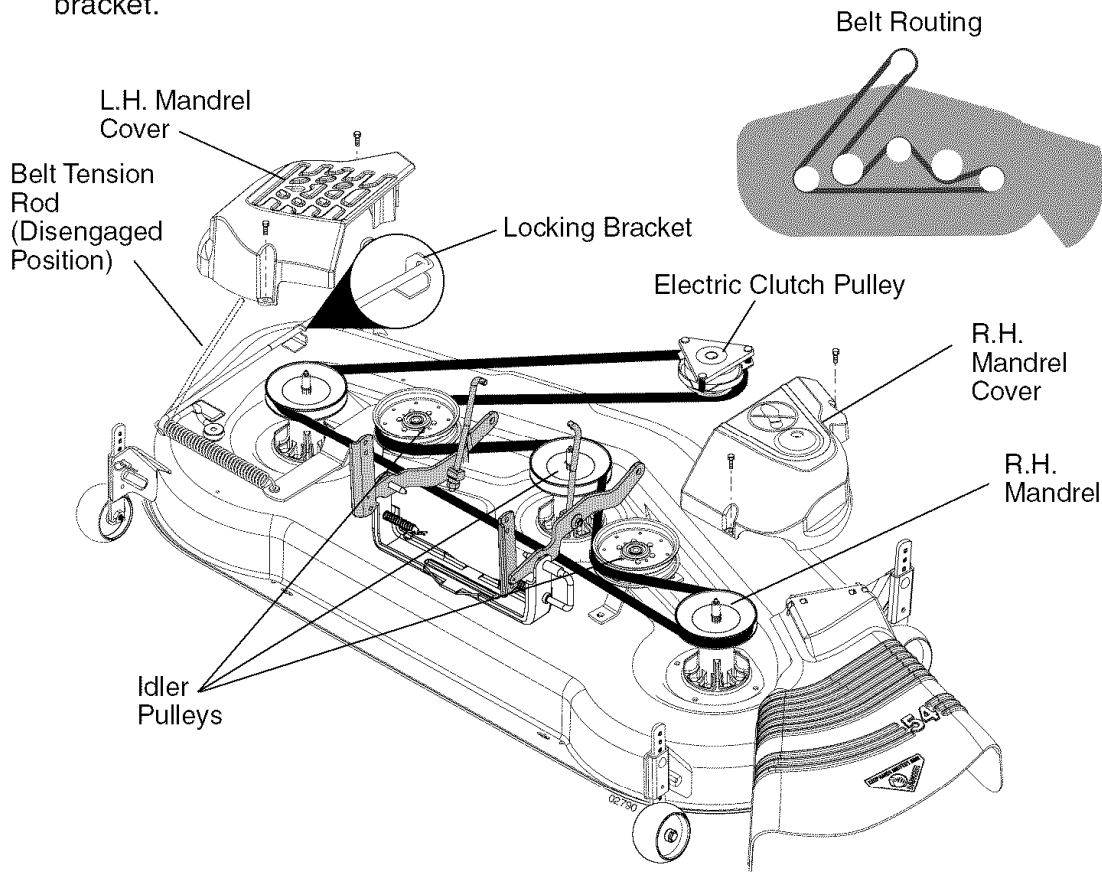
1. Install belt around both mandrel pulleys and around idler pulleys as shown.
2. Install belt onto electric clutch pulley.

IMPORTANT: Check belt for proper routing in all mower pulley grooves.

3. Reassemble R.H. and L.H. mandrel covers. Securely tighten all screws.
4. Engage belt tension rod on locking bracket.

CAUTION: Belt tension rod is spring loaded. Have a tight grip on rod and engage slowly.

5. Raise attachment lift lever to highest position.

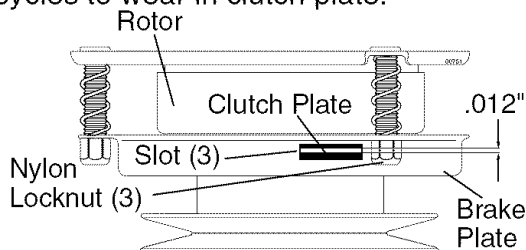


TO ADJUST ATTACHMENT CLUTCH

The electric clutch should provide years of service. The clutch has a built-in brake that stops the pulley within 5 seconds. Eventually, the internal brake will wear which may cause the mower blades to not engage, or, to not stop as required. Adjustments should be made by a Sears or other qualified service center.

1. Make sure attachment clutch and ignition switches are in "OFF" position.
2. Adjust the three nylon locknuts until space between clutch plate and rotor measures .012" at all three slot locations cut in the side of brake plate.

NOTE: After installing a new electric clutch, run tractor at full throttle and engage and disengage electric clutch 10 cycles to wear in clutch plate.



TO CHECK AND ADJUST BRAKE

If tractor requires more than five (5) feet to stop at highest speed in highest gear on a level, dry concrete or paved surface, then brake must be checked and adjusted.

TO CHECK BRAKE

1. Park tractor on a level, dry concrete or paved surface, depress clutch/brake pedal all the way down and engage parking brake.
2. Disengage transmission by placing freewheel control in "transmission disengaged" position. Pull freewheel control out and into the slot and release so it is held in the disengaged position.

The rear wheels must lock and skid when you try to manually push the tractor forward. If the rear wheels rotate, the brake needs to be adjusted or the pads need to be replaced.

TO ADJUST BRAKE

Contact a Sears or other qualified service center.

TO REPLACE MOTION DRIVE BELT

Park the tractor on level surface. Engage parking brake. For ease of service there is a belt installation guide decal on bottom of left footrest.

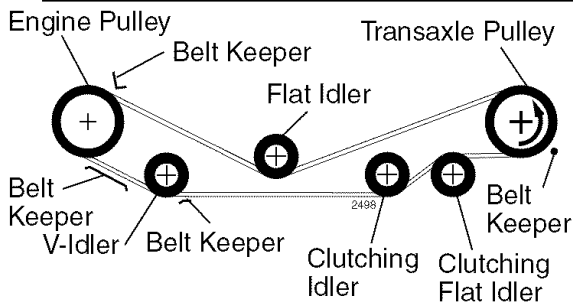
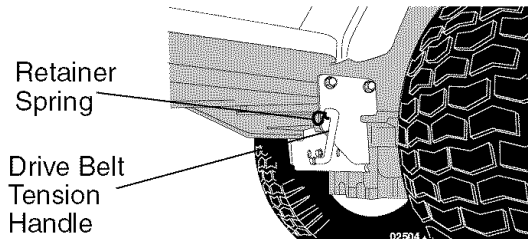
1. Remove mower (See "TO REMOVE MOWER" in this section of manual.)

BELT REMOVAL -

2. Create slack in belt by removing retainer spring from drive belt tension handle.
3. Remove belt from all idler pulleys, transaxle pulley and then from engine pulley.

BELT INSTALLATION -

1. Install new belt around engine pulley first, then around transaxle pulley and lastly into all the idler pulleys.
2. Check to be sure belt is positioned correctly and is on proper side of all belt keepers.
3. Engage the drive belt tension handle and replace the retainer spring.
4. Reinstall mower.



TO ADJUST STEERING WHEEL ALIGNMENT

If steering wheel crossbars are not horizontal (left to right) when wheels are positioned straight forward, remove steering wheel and reassemble with crossbars horizontal. Tighten securely.

FRONT WHEEL TOE-IN/CAMBER

The front wheel toe-in and camber are not adjustable on your tractor. If damage has occurred to affect the front wheel toe-in or camber, contact a Sears or other qualified service center.

TO REMOVE WHEEL FOR REPAIRS

FRONT WHEEL -

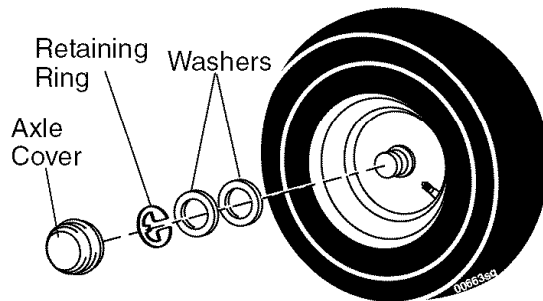
1. Block up axle securely.
2. Remove axle cover, retaining ring and washers to allow wheel removal.

3. Repair tire and reassemble.
4. Replace washers and snap retaining ring securely in axle groove.
5. Replace axle cover.

REAR WHEEL -

1. Block rear axle securely.
2. Remove five (5) hub bolts to allow wheel removal.
3. Repair tire and reassemble. Replace and tighten hub bolts securely.

NOTE: To seal tire punctures and prevent flat tires due to slow leaks, tire sealant may be purchased from your local parts dealer. Tire sealant also prevents tire dry rot and corrosion.



TO START ENGINE WITH A WEAK BATTERY

WARNING: Lead-acid batteries generate explosive gases. Keep sparks, flame and smoking materials away from batteries. Always wear eye protection when around batteries.

If your battery is too weak to start the engine, it should be recharged. (See "BATTERY" in the MAINTENANCE section of this manual).

If "jumper cables" are used for emergency starting, follow this procedure:

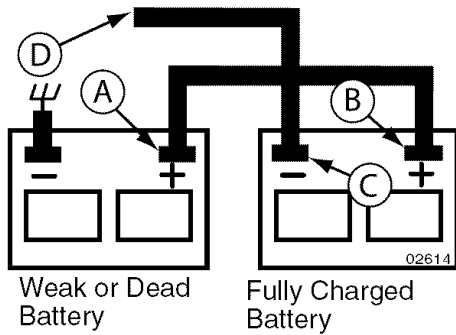
IMPORTANT: Your tractor is equipped with a 12 volt system. The other vehicle must also be a 12 volt system. Do not use your tractor battery to start other vehicles.

TO ATTACH JUMPER CABLES -

1. Connect one end of the RED cable to the POSITIVE (+) terminal of each battery (A-B), taking care not to short against tractor chassis.
2. Connect one end of the BLACK cable to the NEGATIVE (-) terminal (C) of fully charged battery.
3. Connect the other end of the BLACK cable (D) to good chassis ground, away from fuel tank and battery.

TO REMOVE CABLES, REVERSE ORDER -

1. BLACK cable first from chassis and then from the fully charged battery.
2. RED cable last from both batteries.

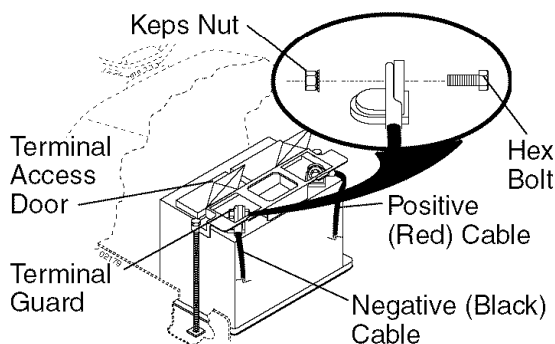


REPLACING BATTERY

⚠WARNING: Do not short battery terminals by allowing a wrench or any other object to contact both terminals at the same time. Before connecting battery, remove metal bracelets, wristwatch bands, rings, etc.

Positive terminal must be connected first to prevent sparking from accidental grounding.

1. Lift hood to raised position.
2. Remove terminal guard.
3. Disconnect BLACK battery cable then RED battery cable and carefully remove battery from tractor.
4. Install new battery with terminals in same position as old battery.
5. Reinstall terminal guard.
6. First connect RED battery cable to positive (+) battery terminal with hex bolt and keps nut as shown. Tighten securely.
7. Connect BLACK grounding cable to negative (-) battery terminal with remaining hex bolt and keps nut. Tighten securely.
8. Close terminal access doors.
9. Close hood.



TO REPLACE HEADLIGHT BULB

1. Raise hood.
2. Pull bulb holder out of the hole in the backside of the grill.
3. Replace bulb in holder and push bulb holder securely back into the hole in the backside of the grill.
4. Close hood.

INTERLOCKS AND RELAYS

Loose or damaged wiring may cause your tractor to run poorly, stop running, or prevent it from starting.

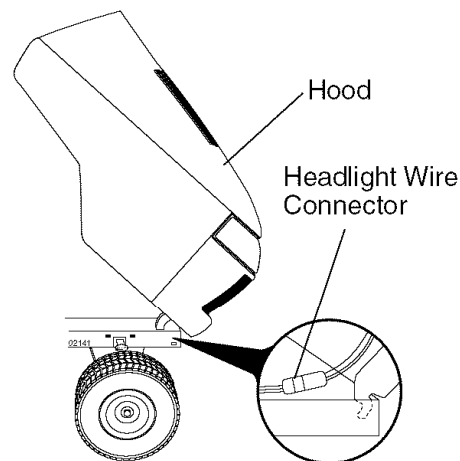
- Check wiring. See electrical wiring diagram in the Repair Parts section.

TO REPLACE FUSE

Replace with 30 amp automotive-type plug-in fuse. The fuse holder is located behind the dash.

TO REMOVE HOOD AND GRILL ASSEMBLY

1. Raise hood.
2. Unsnap headlight wire connector.
3. Stand in front of tractor. Grasp hood at sides, tilt toward engine and lift off of tractor.
4. When replacing hood, be sure to re-connect the headlight wire connector.



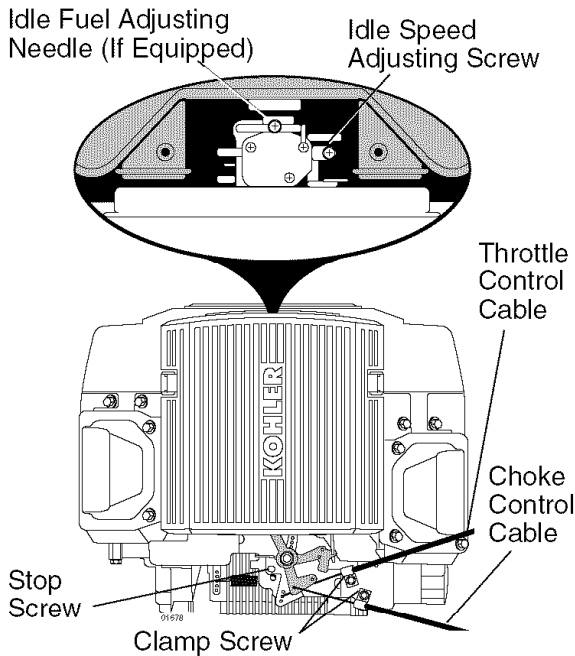
ENGINE

Maintenance, repair, or replacement of the emission control devices and systems, which are being done at the customer's expense, may be performed by any non-road engine repair establishment or individual. Warranty repairs must be performed by an authorized engine manufacturer's service outlet.

TO ADJUST THROTTLE CONTROL CABLE

The throttle control has been preset at the factory and adjustment should not be necessary. Check adjustment as described below before loosening cable. If adjustment is necessary, proceed as follows:

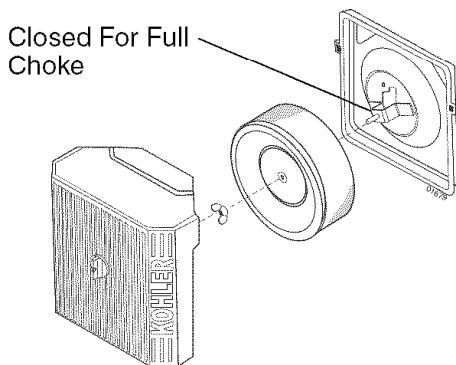
1. With engine not running, move throttle control lever to fast position.
2. Check that speed control lever is against stop screw. If it is not, loosen casing clamp screw and pull throttle cable until lever is against screw. Tighten clamp screw securely.



TO ADJUST CHOKE CONTROL

The choke control has been preset at the factory and adjustment should not be necessary. Check adjustment as described below before loosening cable. If adjustment is necessary, proceed as follows:

1. With engine not running, move choke control (located on dash panel) to full choke position.
2. Remove air cleaner cover, filter and cartridge plate to expose carburetor choke (See "AIR FILTER" in the Maintenance section of this manual).
3. Choke should be closed. If it is not, loosen casing clamp screw and move choke cable until choke is completely closed. Tighten casing clamp screw securely.
4. Reassemble air cleaner.



TO ADJUST CARBURETOR

The carburetor has been present at the factory and adjustment should not be necessary. However, minor adjustment may be required to compensate for differences in fuel, temperature, altitude or load. If the carburetor does need adjustment, proceed as follows:

In general, turning the adjusting needles **in** (clockwise) decreases the supply of fuel to the engine giving a leaner fuel/air mixture. Turning the adjusting needles **out** (counterclockwise) increases the supply of fuel to the engine giving a richer fuel/air mixture. **IMPORTANT:** Damage to the needles and the seats in carburetor may result if screw is turned in too tight.

PRELIMINARY SETTING -

1. Be sure you have a clean air filter, and the throttle control cable is adjusted properly (see "TO ADJUST THROTTLE CONTROL CABLE" in the Service and Adjustments section of this manual).
2. With engine off turn idle fuel adjusting needle **in** (clockwise) closing it finger tight and then turn **out** (counterclockwise) 1 turn.

FINAL SETTING -

1. Start engine and allow to warm for five minutes. Make final adjustments with engine running and shift/motion control lever in neutral (N) position.

NOTE: The high idle is set at the factory and cannot be adjusted.

2. Idle speed setting - With throttle control lever in slow position, engine should idle at 1750 RPM. If engine idles too slow or fast, turn idle speed adjusting screw in or out until correct idle is attained.
3. Idle fuel needle setting - With throttle control lever in slow position, turn idle fuel adjusting needle **in** (clockwise) until engine speed decreases and then turn **out** (counterclockwise) approximately 3/4 turn to obtain the best low speed performance.
4. Recheck idle speed. Readjust if necessary.

ACCELERATION TEST -

5. Move throttle control lever from slow to fast position. If engine hesitates or dies, turn idle fuel adjusting needle **out** (counterclockwise) 1/8 turn. Repeat test and continue to adjust, if necessary, until engine accelerates smoothly.

High speed stop is factory adjusted. Do not adjust-damage may result.

IMPORTANT: Never tamper with the engine governor, which is factory set for proper engine speed. Overspeeding the engine above the factory high speed setting can be dangerous. If you think the engine-governed high speed needs adjusting, contact a Sears or other qualified service center, which has proper equipment and experience to make any necessary adjustments.

STORAGE

Immediately prepare your tractor for storage at the end of the season or if the tractor will not be used for 30 days or more.

⚠WARNING: Never store the tractor with gasoline in the tank inside a building where fumes may reach an open flame or spark. Allow the engine to cool before storing in any enclosure.

TRACTOR

Remove mower from tractor for winter storage. When mower is to be stored for a period of time, clean it thoroughly, remove all dirt, grease, leaves, etc. Store in a clean, dry area.

1. Clean entire tractor (See “CLEANING” in the Maintenance section of this manual).
2. Inspect and replace belts, if necessary (See belt replacement instructions in the Service and Adjustments section of this manual).
3. Lubricate as shown in the Maintenance section of this manual.
4. Be sure that all nuts, bolts and screws are securely fastened. Inspect moving parts for damage, breakage and wear. Replace if necessary.
5. Touch up all rusted or chipped paint surfaces; sand lightly before painting.

BATTERY

- Fully charge the battery for storage.
- After a period of time in storage, battery may require recharging.
- To help prevent corrosion and power leakage during long periods of storage, battery cables should be disconnected and battery cleaned thoroughly (see “TO CLEAN BATTERY AND TERMINALS” in the Maintenance section of this manual).
- After cleaning, leave cables disconnected and place cables where they cannot come in contact with battery terminals.
- If battery is removed from tractor for storage, do not store battery directly on concrete or damp surfaces.

ENGINE

FUEL SYSTEM

IMPORTANT: It is important to prevent gum deposits from forming in essential fuel system parts such as carburetor, fuel hose, or tank during storage. Also, alcohol

blended fuels (called gasohol or using ethanol or methanol) can attract moisture which leads to separation and formation of acids during storage. Acidic gas can damage the fuel system of an engine while in storage.

- Empty the fuel tank by starting the engine and letting it run until the fuel lines and carburetor are empty.
- Never use engine or carburetor cleaner products in the fuel tank or permanent damage may occur.
- Use fresh fuel next season.

NOTE: Fuel stabilizer is an acceptable alternative in minimizing the formation of fuel gum deposits during storage. Add stabilizer to gasoline in fuel tank or storage container. Always follow the mix ratio found on stabilizer container. Run engine at least 10 minutes after adding stabilizer to allow the stabilizer to reach the carburetor. Do not empty the gas tank and carburetor if using fuel stabilizer.

ENGINE OIL

Drain oil (with engine warm) and replace with clean engine oil. (See “ENGINE” in the Maintenance section of this manual).

CYLINDER(S)

1. Remove spark plug(s).
2. Pour one ounce of oil through spark plug hole(s) into cylinder(s).
3. Turn ignition key to start position for a few seconds to distribute oil.
4. Replace with new spark plug(s).

OTHER

- Do not store gasoline from one season to another.
- Replace your gasoline can if your can starts to rust. Rust and/or dirt in your gasoline will cause problems.
- If possible, store your tractor indoors and cover it to give protection from dust and dirt.
- Cover your tractor with a suitable protective cover that does not retain moisture. Do not use plastic. Plastic cannot breathe which allows condensation to form and will cause your tractor to rust.

IMPORTANT: Never cover tractor while engine and exhaust areas are still warm.

TROUBLESHOOTING CHART:

See appropriate section in manual unless directed to Sears service center

| PROBLEM | CAUSE | CORRECTION |
|---|---|---|
| Will not start | <ol style="list-style-type: none"> 1. Out of fuel. 2. Engine not "CHOKED" properly. 3. Engine flooded. 4. Bad spark plug. 5. Dirty air filter. 6. Dirty fuel filter. 7. Water in fuel. 8. Loose or damaged wiring. 9. Carburetor out of adjustment. 10. Engine valves out of adjustment. 11. Extreme Cold Conditions | <ol style="list-style-type: none"> 1. Fill fuel tank. 2. See "TO START ENGINE" in Operation section. 3. Wait several minutes before attempting to start. 4. Replace spark plug. 5. Clean/replace air filter. 6. Replace fuel filter. 7. Empty fuel tank and carburetor, refill tank with fresh gasoline and replace fuel filter. 8. Check all wiring. 9. See "To Adjust Carburetor" in Service and Adjustments section. 10. Contact a Sears or other qualified service center. 11. See "To start engine" in operation section. |
| Hard to start | <ol style="list-style-type: none"> 1. Dirty air filter. 2. Bad spark plug. 3. Weak or dead battery. 4. Dirty fuel filter. 5. Stale or dirty fuel. 6. Loose or damaged wiring. 7. Carburetor out of adjustment. 8. Engine valves out of adjustment. | <ol style="list-style-type: none"> 1. Clean/replace air filter. 2. Replace spark plug. 3. Recharge or replace battery. 4. Replace fuel filter. 5. Empty fuel tank and refill tank with fresh, clean gasoline. 6. Check all wiring. 7. See "To Adjust Carburetor" in Service and Adjustments section. 8. Contact a Sears or other qualified service center. |
| Engine will not turn over | <ol style="list-style-type: none"> 1. Brake pedal not depressed. 2. Attachment clutch is engaged. 3. Weak or dead battery. 4. Blown fuse. 5. Corroded battery terminals. 6. Loose or damaged wiring. 7. Faulty ignition switch. 8. Faulty solenoid or starter. 9. Faulty operator presence switch(es). | <ol style="list-style-type: none"> 1. Depress brake pedal. 2. Disengage attachment clutch. 3. Recharge or replace battery. 4. Replace fuse. 5. Clean battery terminals. 6. Check all wiring. 7. Check/replace ignition switch. 8. Check/replace solenoid or starter. 9. Contact a Sears or other qualified service center. |
| Engine clicks but will not start | <ol style="list-style-type: none"> 1. Weak or dead battery. 2. Corroded battery terminals. 3. Loose or damaged wiring. 4. Faulty solenoid or starter. | <ol style="list-style-type: none"> 1. Recharge or replace battery. 2. Clean battery terminals. 3. Check all wiring. 4. Check/replace solenoid or starter. |
| Loss of power | <ol style="list-style-type: none"> 1. Cutting too much grass/too fast. 2. Throttle in "CHOKE" position. | <ol style="list-style-type: none"> 1. Raise cutting height/reduce speed. 2. Adjust throttle control. |

TROUBLESHOOTING CHART:

See appropriate section in manual unless directed to Sears service center

| PROBLEM | CAUSE | CORRECTION |
|---|--|--|
| Loss of power (cont.) | <ul style="list-style-type: none"> 6. Faulty spark plug. 7. Dirty fuel filter. 8. Stale or dirty fuel. 9. Water in fuel. 10. Spark plug wire loose. 11. Dirty engine air screen/fins. 12. Dirty/clogged muffler. 13. Loose or damaged wiring. 14. Carburetor out of adjustment. 15. Engine valves out of adjustment. | <ul style="list-style-type: none"> 6. Clean and regap or change spark plug. 7. Replace fuel filter. 8. Empty fuel tank and refill tank with fresh, clean gasoline. 9. Empty fuel tank and carburetor, refill tank with fresh gasoline and replace fuel filter. 10. Connect and tighten spark plug wire. 11. Clean engine air screen/fins. 12. Clean/replace muffler. 13. Check all wiring. 14. See "To Adjust Carburetor" in Service and Adjustments section. 15. Contact a Sears or other qualified service center. |
| Excessive vibration | <ul style="list-style-type: none"> 1. Worn, bent or loose blade. 2. Bent blade mandrel. 3. Loose/damaged part(s). | <ul style="list-style-type: none"> 1. Replace blade. Tighten blade bolt. 2. Contact a Sears or other qualified service center. 3. Tighten loose part(s). Replace damaged parts. |
| Engine dies when tractor is shifted into reverse | <ul style="list-style-type: none"> 1. Reverse operation system (ROS) is not "ON" while mower or other attachment is engaged. | <ul style="list-style-type: none"> 1. Turn ignition key to ROS "ON" position. See Operation section. |
| Engine continues to run when operator leaves seat with attachment clutch engaged | <ul style="list-style-type: none"> 1. Faulty operator-safety presence control system. | <ul style="list-style-type: none"> 1. Check wiring, switches and connections. If not corrected, contact a Sears or other qualified service center. |
| Poor cut - uneven | <ul style="list-style-type: none"> 1. Worn, bent or loose blade. 2. Mower deck not level. 3. Buildup of grass, leaves, and trash under mower. 4. Bent blade mandrel. 5. Clogged mower deck vent from build-up of grass, leaves, and trash around mandrels. | <ul style="list-style-type: none"> 1. Replace blade. Tighten blade bolt. 2. Level mower deck. 3. Clean underside of mower housing. 4. Contact a Sears or other qualified service center. 5. Clean around mandrels to open vent holes. |

TROUBLESHOOTING CHART:

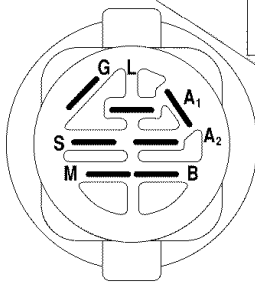
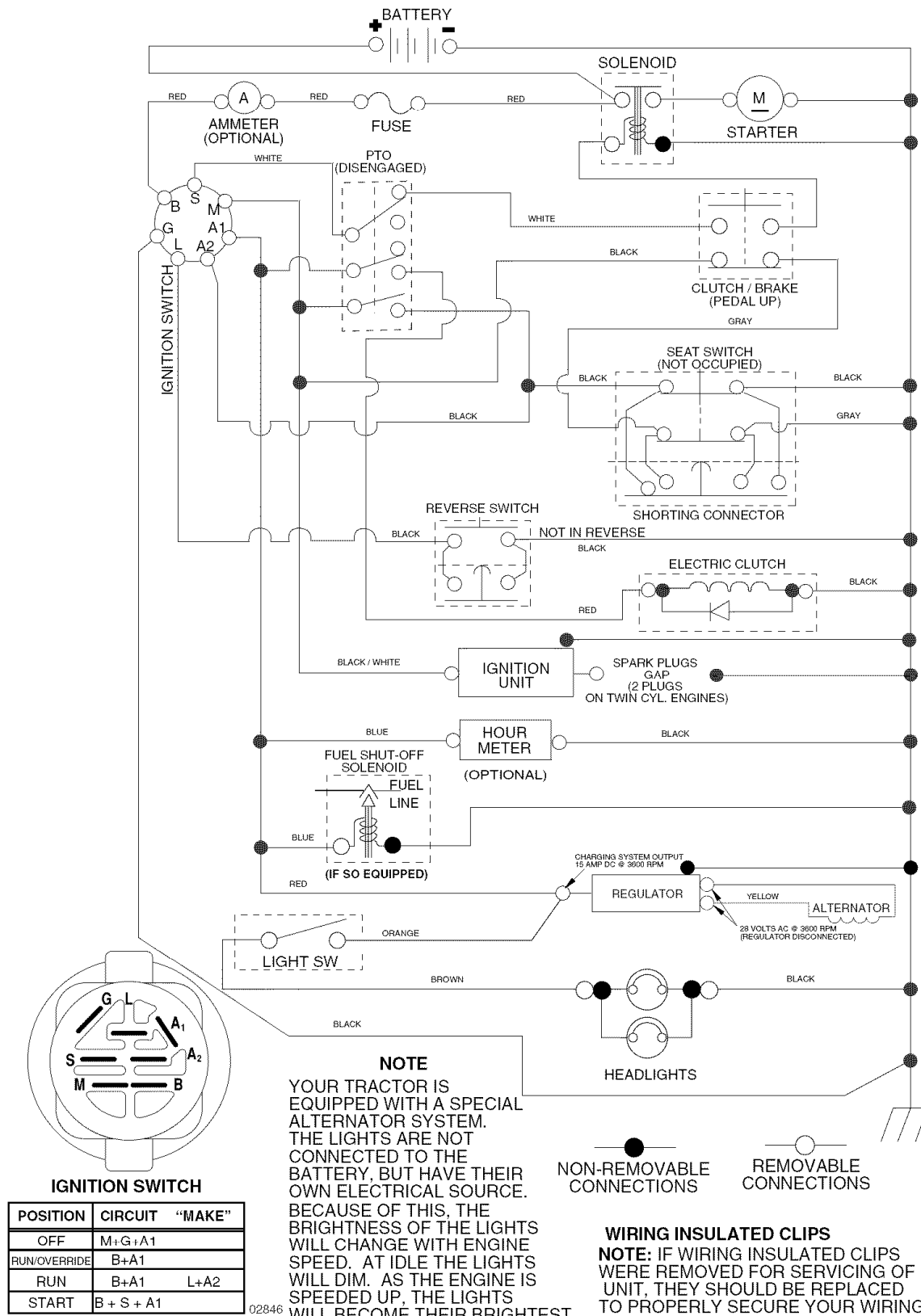
See appropriate section in manual unless directed to Sears service center

| PROBLEM | CAUSE | CORRECTION |
|--|--|---|
| Mower blades will not rotate | <ol style="list-style-type: none"> 1. Obstruction in clutch mechanism. 2. Worn/damaged mower drive belt. 3. Frozen idler pulley. 4. Frozen blade mandrel. | <ol style="list-style-type: none"> 1. Remove obstruction. 2. Replace mower drive belt. 3. Replace idler pulley. 4. Contact a Sears or other qualified service center. |
| Poor grass discharge Poor grass discharge (continued) | <ol style="list-style-type: none"> 1. Engine speed too slow. 2. Travel speed too fast. 3. Wet grass. 4. Mower deck not level. 5. Low/uneven tire air pressure. 6. Worn, bent or loose blade. 7. Buildup of grass, leaves and trash under mower. 8. Mower drive belt worn. 9. Blades improperly installed. 10. Improper blades used. 11. Clogged mower deck vent holes from buildup of grass, leaves, and trash around mandrels. | <ol style="list-style-type: none"> 1. Place throttle control in "FAST" position. 2. Shift to slower speed. 3. Allow grass to dry before mowing. 4. Level mower deck. 5. Check tires for proper air pressure. 6. Replace/sharpen blade. Tighten blade bolt. 7. Clean underside of mower housing. 8. Replace mower drive belt. 9. Reinstall blades sharp edge down. 10. Replace with blades listed in this manual. 11. Clean around mandrels to open vent holes. |
| Headlight(s) not working (if so equipped) | <ol style="list-style-type: none"> 1. Light switch is "OFF". 2. Bulb(s) or lamp(s) burned out. 3. Faulty light switch. 4. Loose or damaged wiring. 5. Blown fuse. | <ol style="list-style-type: none"> 1. Turn light switch "ON". 2. Replace bulb(s) or lamp(s). 3. Check/replace light switch. 4. Check wiring and connections. 5. Replace fuse. |
| Battery will not charge | <ol style="list-style-type: none"> 1. Bad battery cell(s). 2. Poor cable connections. 3. Faulty regulator (if so equipped). 4. Faulty alternator. | <ol style="list-style-type: none"> 1. Replace battery. 2. Check/clean all connections. 3. Replace regulator. 4. Replace alternator. |
| Loss of drive | <ol style="list-style-type: none"> 1. Freewheel control in "disengaged" position. 2. Motion drive belt worn, damaged, or broken. 3. Air trapped in transmission during shipment or servicing. | <ol style="list-style-type: none"> 1. Place freewheel control in "engaged" position. 2. Replace motion drive belt. 3. Purge transmission. |
| Engine "backfires" when turning engine "OFF" | <ol style="list-style-type: none"> 1. Engine throttle control not set between half and full speed (fast) position before stopping engine. | <ol style="list-style-type: none"> 1. Move throttle control between half and full speed (fast) position before stopping engine. |

TRACTOR -- MODEL NUMBER 917.276240

SCHEMATIC

02846_193391



IGNITION SWITCH

| POSITION | CIRCUIT | "MAKE" |
|--------------|---------|--------|
| OFF | M+G+A1 | |
| RUN/OVERRIDE | B+A1 | |
| RUN | B+A1 | L+A2 |
| START | B+S+A1 | |

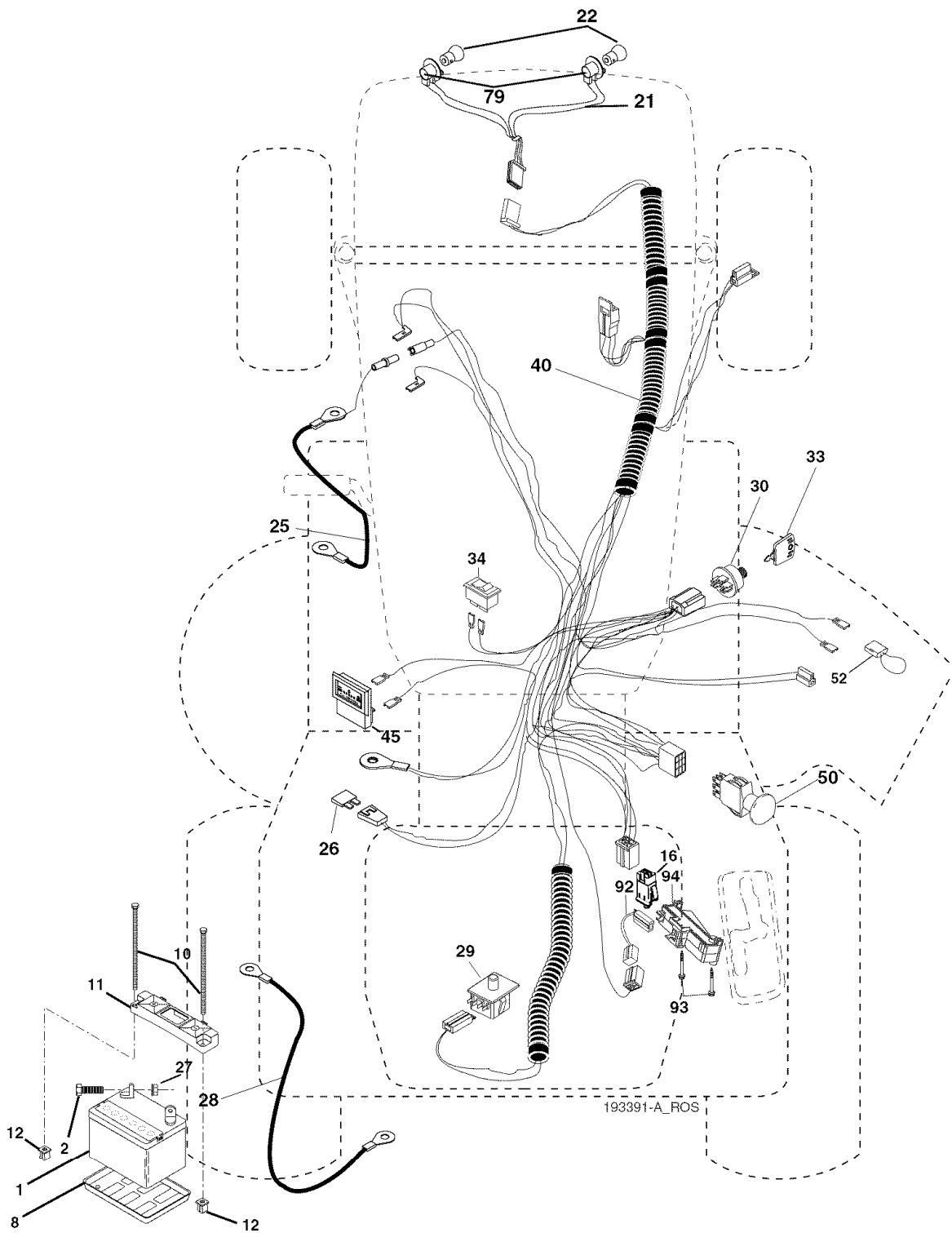
02846



REPAIR PARTS

TRACTOR -- MODEL NUMBER 917.276240

ELECTRICAL



ELECTRICAL

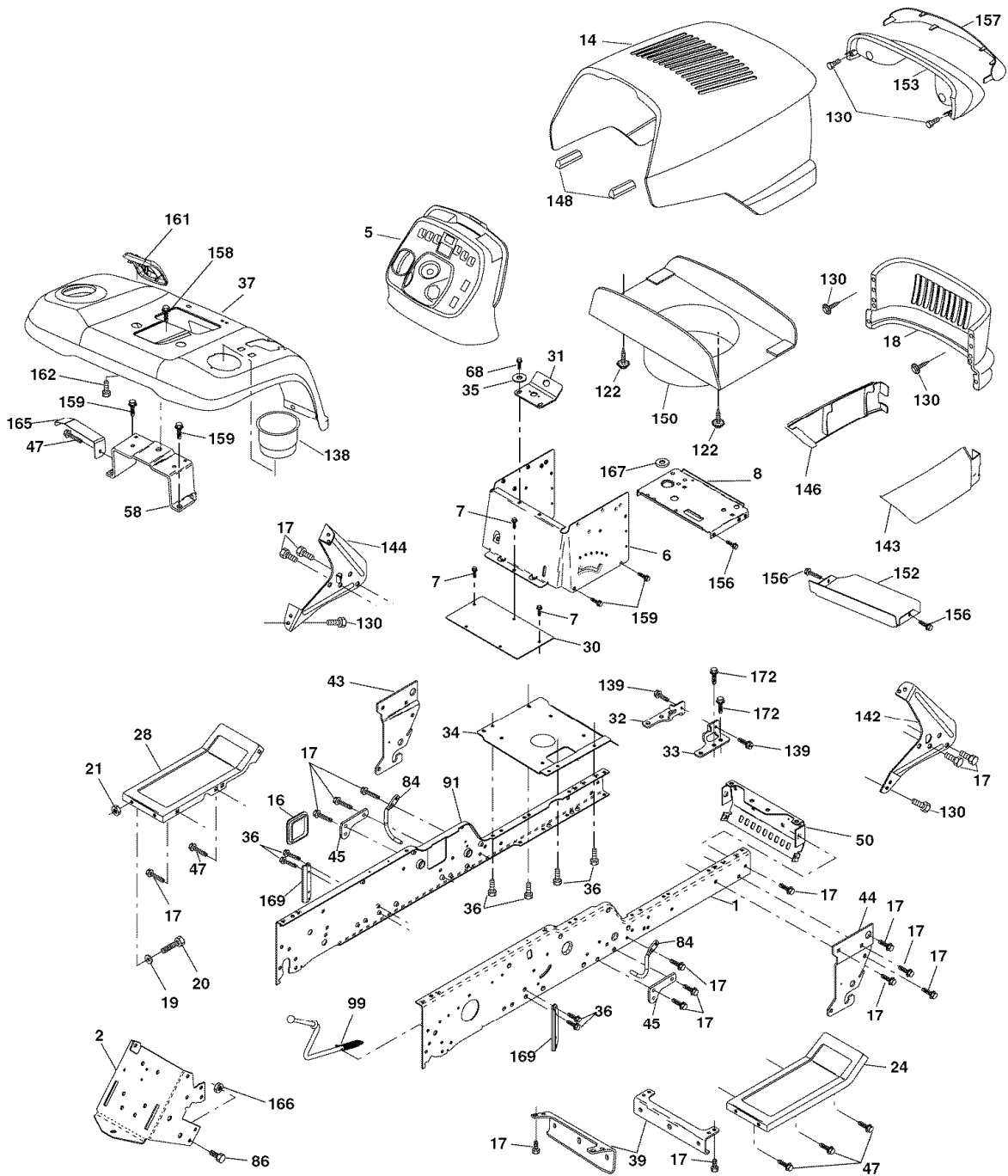
TRACTOR -- MODEL NUMBER 917.276240

| KEY NO. | PART NO. | DESCRIPTION |
|------------|-------------|--------------------------------|
| 1 | 144927 | Battery |
| 2 | 74760412 | Bolt Hex Head 1/4-20 x 3/4 |
| 8 | 7603J | Tray, Battery |
| 10 | 145211 | Bolt 1/4-20 x 7.5 Zinc |
| 11 | 150109 | Hold down Battery Dash Mount |
| 12 | 145769 | Nut Push Nylon 1/4" |
| 16 | 176138 | Switch Interlock Push-In |
| 21 | 175688 | Harness Socket Light W/4152J |
| 22 | 4152J | Bulb Light |
| 25 | 185456 | Cable |
| 26 | 108824X | Fuse |
| 27 | 73510400 | Nut Keps Hex 1/4-20 unc |
| 28 | 170697 | Cable, Ground |
| 29 | 192749 | Switch, Plunger |
| 30 | 193350 | Switch, Ign |
| 34 | 110712X | Switch, Light/Reset |
| 33 | 140403 | Key, Ignition |
| 40 | 193391 | Harness Ign. |
| 42 | 154336 | Cover, Terminal |
| 45 | 122822X | Ammeter |
| 50 | 174652 | Switch, PTO |
| 52 | 141940 | Hourmeter Adaptor |
| 79 | 175242 | Bulbholder Asm Incandescent SV |
| 92 | 193465 | Harness Pigtail Reverse Switch |
| 93 | 192540 | Screw Plastite 10-14 x 2.0 |
| 94 | 191834 | Module Reverse ROS |

NOTE: All component dimensions given in U. S.
inches 1 inch = 25.4 mm

TRACTOR -- MODEL NUMBER 917.276240

CHASSIS AND ENCLOSURES



chassis-stealth II_1-vgt



TRACTOR -- MODEL NUMBER 917.276240
CHASSIS AND ENCLOSURES

| KEY PART NO. NO. | DESCRIPTION | KEY PART NO. NO. | DESCRIPTION | | |
|---------------------|-------------|-------------------------------|-------------|------------|--------------------------------|
| 1 | 180375 | Rail, Frame RH | 68 | 17490508 | Screw Thdrol. 5/16-18 x 1/2 |
| 2 | 175282 | Drawbar, Gt | 84 | 188164 | Upstop 54" Deck |
| 5 | 193636X428 | Dash YTGT 2 Cyl | 86 | 74780716 | Bolt Fin Hex 7/16-14 unc x 1 |
| 6 | 157882 | Dash, Lower Vgt One Piece | 91 | 180374 | Rail, Frame Lh |
| 7 | 17720408 | Screw, Thd Cut 1/4-20 x 1/2 | 99 | 177143 | Rod By Pass |
| 8 | 184668 | Support, Battery | 122 | 192512 | Screw Hex Wshd 10-32 x 5/8 |
| 14 | 175260X428 | Hood Asm | 130 | 191611 | Screw 10 x 3/4 Single Lead-Hex |
| 16 | 121794X | Cover, Access | 138 | 191121X428 | Cup Holder |
| 17 | 17000612 | Screw 3/8-16 x .75 | 139 | 171873 | Bolt Shoulder 5/16-18 TT |
| 18 | 174515X428 | Grille | 142 | 161897 | Bracket Dash Rh |
| 19 | 19131312 | Washer 13/32 x 13/16 x 12 Ga. | 143 | 169847X428 | Skirt Grille RH |
| 20 | STD523710 | Bolt, Fin Hex 3/8-16 x 1 | 144 | 161900 | Bracket Dash LH |
| 21 | STD541437 | Nut Crownlock 3/8-16 unc | 146 | 169848X428 | Skirt Grille LH |
| 24 | 179717X428 | Footrest, RH | 148 | 164655 | Extrusion Bumpers |
| 28 | 179716X428 | Footrest, LH | 150 | 175352 | Duct Heat Hood |
| 30 | 145052 | Saddle, Hydro | 152 | 177956 | Shield Browning |
| 31 | 161419 | Brace, Supt 1-pc VGT | 153 | 179761 | Lightbox Asm W/Lens |
| 32 | 161327 | Bracket, Pivot Chassis Lh | 156 | 17000512 | Screw 5/16-18 x 3/4 |
| 33 | 161326 | Bracket, Pivot Chassis Rh | 157 | 161840 | Lens Bar |
| 34 | 177018 | Plate Asm Engine | 158 | 17670608 | Screw Thdrol 3/8-16 x 1/2 |
| 35 | 19111116 | Washer 11/32 x 11/16 x 16 Ga. | 161 | 179612X428 | Console Fuel Window |
| 36 | 17060512 | Screw 5/16-18 x 3/4 | 162 | 142432 | Screw Hex 1/4-1/2 unc |
| 37 | 192397X428 | Fender Pnt | 165 | 183554 | Bracket Support Tank |
| 39 | 175278 | Bracket, Axle Front | 166 | 73680700 | Nut Lock 7/16-14 unc |
| 43 | 136939 | Bracket, Spnsn Front Lh | 167 | 184672 | Bushing, Snap Nylon 1.250 |
| 44 | 136940 | Bracket, Spnsn Front Rh | 169 | 188598 | Bracket Chassis Sway |
| 45 | 187270 | Bracket Asm., Susp Chas. | 172 | 17120614 | Screw 3/8-16 x .875 |
| 47 | 17490608 | Screw Thdrol. 3/8-16 x 1/2 | | | |
| 50 | 175476 | Bracket, Chassis Front | | | |
| 58 | 183569 | Bracket Asm., Fender | | | |

NOTE: All component dimensions given in U. S. inches 1 inch = 25.4 mm



TRACTOR -- MODEL NUMBER 917.276240

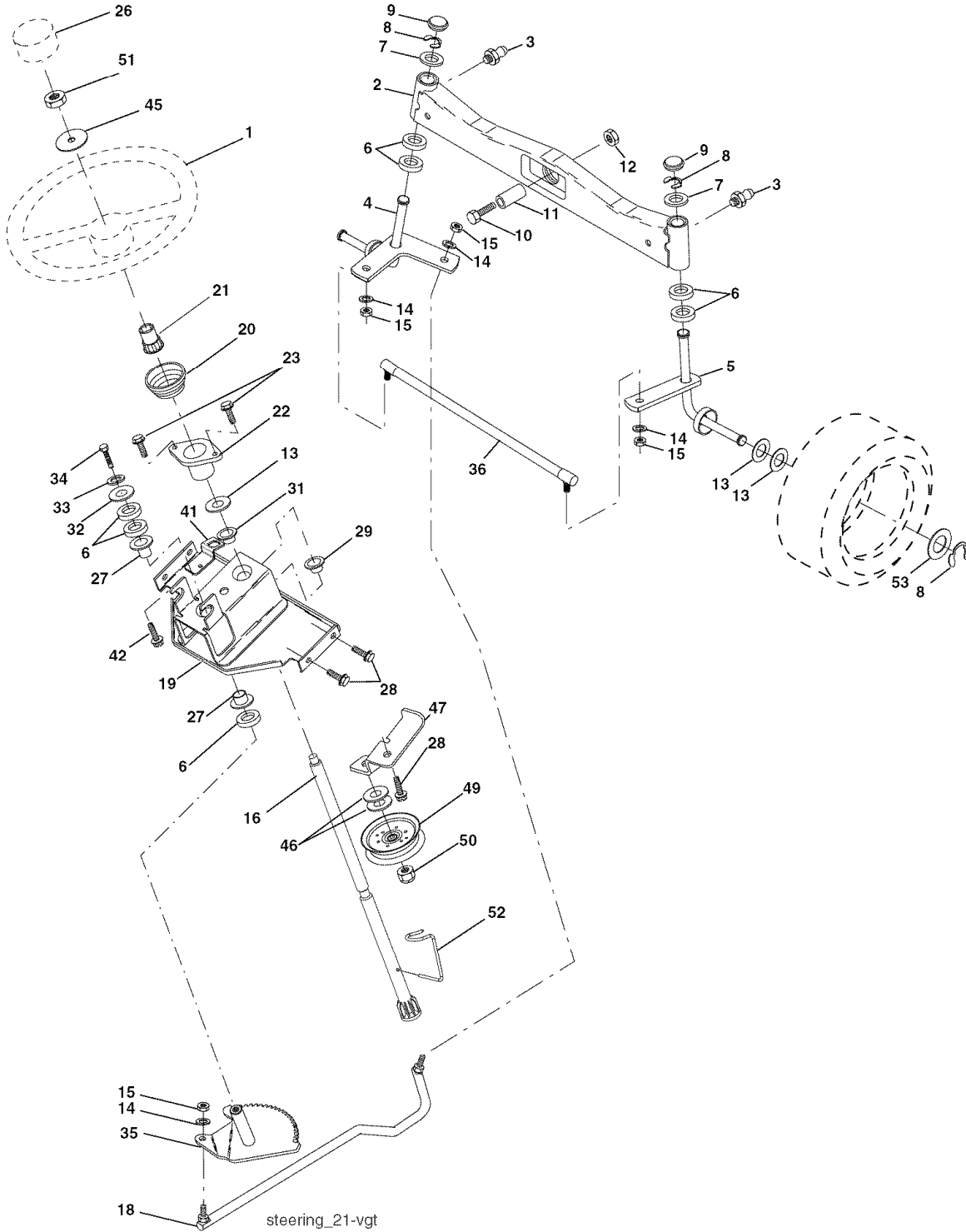
GROUND DRIVE

| KEY PART NO. NO. | DESCRIPTION | KEY PART NO. NO. | DESCRIPTION |
|---------------------|---|---------------------|--|
| 1 | ----- Transaxle Hydro Gear 331-3000 (See Breakdown) | 89 | 73680700 Nut Crownlock 7/16-14 Unc |
| 2 | 7070E Key 1/4 x 2.5 | 94 | 133835 Fastener Christmas Tree |
| 3 | 7563R Washer Thrust | 98 | 141004 Bracket Shift |
| 6 | STD561210 Pin, Cotter | 106 | 142918 O-Ring Asm Hydro Gear |
| 7 | 140507 Wheel, Hub Assembly | 107 | 154739 Line Fuel Hydro 15" VGT |
| 9 | 140080 Bolt, Hub | 108 | 142917 Cap Asm Vent Hydro Gear 70109 |
| 20 | 73940800 Nut | 111 | 156240 Spacer Shift Lever VGTH |
| 22 | 180235 Lever Asm Shift Lower | 112 | 178558 Washer Nylon High Temp |
| 23 | 130564 Knob | 114 | 73800500 Nut Lock Hx W/Ins 5/16-18 Unc |
| 29 | 176600 Brake, Rod | 117 | 73900600 Nut, Lock Flg. 3/8-16 |
| 33 | 12000053 Ring E | 120 | 17000612 Screw 3/8-16 x .75 |
| 34 | 71673 Cap, Parking Brake | 121 | 175611 Bracket Strap Torque |
| 35 | 137648 Rod, Parking Brake | 122 | 72010520 Bolt RDHD SQ 5/16-18unc x 2-1/2 |
| 36 | 149412 Spring, Drive Ground | 123 | 192438 Rod Shift |
| 37 | 121749X Washer 25/32 x 1-1/4 x 16 Ga. | 124 | 165492 Bolt Shoulder 5/16-18 x .561 |
| 38 | 150035 Nyliner | 126 | 166002 Washer SRRTD 5/16ID x 1.0 x .125 |
| 39 | 74321016 Screw, Fin. #10-24 x 1 | 127 | 177362 Link Control Clutch |
| 40 | 178575 Actuator, Interlock Switch | 128 | 176624 Spring Drive GRND |
| 41 | 73931000 Nut Centerlock 10-24 Unc | 129 | 179473 Bracket Asm Idler Tensioning |
| 42 | 8883R Cover, Pedal | 130 | 19131016 Washer 13/32 x 5/8 x 16 Ga |
| 46 | 145170 Retainer, Spring | 131 | 76020312 Pin Cotter 3/32 x 3/4 |
| 48 | 72110614 Bolt, 3/8-16 x 1-3/4 Gr. 5 | 132 | 175467 Bracket Mtg Hydro 3500 LH VGT |
| 50 | 131494 Pulley, Idler, Flat | 133 | 175468 Bracket Mtg Hydro 3500 RH VGT |
| 52 | 127783 Pulley, Idler, Grooved | 135 | 177364 Link Asm Control Hydro 3500 |
| 55 | 105706X Bearing, Idler | 137 | 1685H Nut Lock 5/16-18 NC Thd |
| 56 | 161597 V-Belt | 138 | 1370H Washer Thrust 5/8 x 1.10 x 1/32 |
| 58 | 74760724 Bolt Fin Hex 7/16-14 x 1-1/2 | 142 | 175469 Strap Torque HG-3500 |
| 61 | 143995 Pulley, Transaxle | 143 | 17000512 Screw Thdrol 5/16-18 x 3/4 |
| 64 | 176601 Shaft, Clutch/Brake Pedal | 145 | 163168 Washer Axle Flange HG-3000 |
| 65 | 179613 Bolt, Shoulder | 146 | 140462 Fan 7" Hydro |
| 68 | STD571812 Pin, Roll | 147 | 141322 Washer |
| 69 | 123800X Washer | 151 | 74760514 Bolt Fin Hex 5/16-18 x 7/8 |
| 70 | 192390X428 Console Automatic YT/GT | 152 | 178705 Bolt hex 5/16-18 x 1 |
| 73 | 74490548 Bolt Hex Flghd 5/16-18 x 3 Gr. 5 | 153 | 4997H Retainer Spring |
| 74 | 142432 Screw Hex Wsh. Hi-Lo 1/4-1/2 | | |
| 77 | 74780716 Bolt Hex 7/16-14 x 1-1/4 Gr. 5 | | |

NOTE: All component dimensions given in U. S. inches 1 inch = 25.4 mm

TRACTOR -- MODEL NUMBER 917.276240

STEERING



STEERING

TRACTOR -- MODEL NUMBER 917.276240

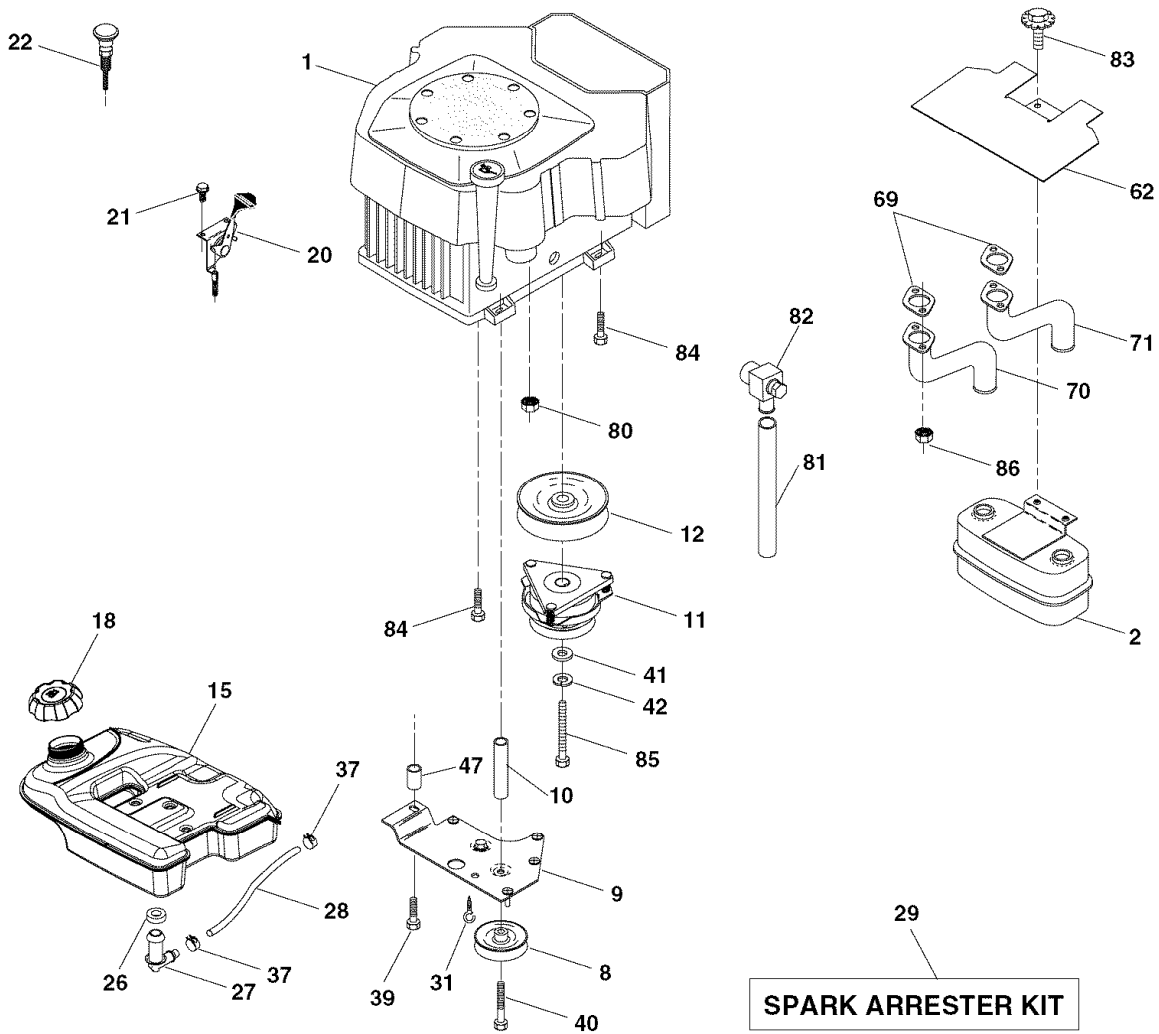
| KEY NO. | PART NO. | DESCRIPTION |
|---------|------------|---------------------------------|
| 1 | 186093X428 | Wheel, Steering |
| 2 | 178557 | Axle Asm., Front |
| 3 | 183226 | Fitting, Grease |
| 4 | 161849 | Spindle Asm, LH |
| 5 | 161848 | Spindle Asm., RH |
| 6 | 6266H | Bearing, Race Thrust Harden |
| 7 | 121748X | Washer 25/32 x 1-5/8 x 16 Ga. |
| 8 | 12000029 | Ring, Klip #T5304-75 |
| 9 | 184946X505 | Cap, Spindle |
| 10 | 74781044 | Bolt, Fin Hex 5/8-11 x 2-3/4 |
| 11 | 136518 | Spacer Bearing Axle Front |
| 12 | 73901000 | Nut, Lock Flange 5/8-11 Unc |
| 13 | 121749X | Washer 25/32 x 1-1/4 x 16 Ga. |
| 14 | STD551137 | Washer, Lock Hvy Hlcl Spr 3/8 |
| 15 | STD541537 | Nut, Lock Center 3/8-24 UNF |
| 16 | 186814 | Shaft Asm., Steering |
| 18 | 187799 | Draglink Vgt |
| 19 | 156011 | Support Asm., Steering Vgt |
| 20 | 163887X428 | Boot, Steering |
| 21 | 186737 | Adapter, Wheel Steering |
| 22 | 155105 | Bushing, Strg. Blk |
| 23 | 152927 | Screw |
| 26 | 186095X428 | Insert, Cap Steering Wheel |
| 27 | 3366R | Bearing, Col. Strg. |
| 28 | 17000612 | Screw, 3/8-16 x 3/4 |
| 29 | 104239X | Bearing, Flange |
| 31 | 138136 | Bushing, Nyliner Snap |
| 32 | 19111610 | Washer 11/32 x 1 x 10 Ga. |
| 33 | STD551131 | Washer, Lock Hvy Hlcl Spr 5/16 |
| 34 | 74780512 | Bolt Fin Hex 5/16-18unc x 3/4 |
| 35 | 187039 | Gear, Sector Steering |
| 36 | 186799 | Tie Rod |
| 41 | 155246 | Bracket Switch Interlock VGT 97 |
| 42 | 17490508 | Screw Thdrol 5/16-18 x 1/2 Tyt |
| 45 | 19183812 | Washer 9/16 x 2-3/8 x 12 Ga. |
| 46 | 19131610 | Washer Flat 13/32 x 1 x 10 Ga. |
| 47 | 179471 | Bracket Asm Idler Stationary |
| 49 | 175820 | Pulley Idler Flat |
| 50 | 73900600 | Nut Lock Flg 3/8-16 UNC |
| 51 | 73940800 | Nut Hex Jam Toplock 1/2-20 unf |
| 52 | 175553 | Clip Steering .750 |
| 53 | 188967 | Washer Hardened |

NOTE: All component dimensions given in U. S. inches 1 inch = 25.4 mm



TRACTOR -- MODEL NUMBER 917.276240

ENGINE



engine-kohler22_18-vgt

KEY PART NO. NO.

| KEY PART NO. | NO. | DESCRIPTION |
|--------------|------------|------------------------------------|
| 1 | ----- | Engine Kohler Model No. CV730-0029 |
| 2 | 149723 | Muffler |
| 8 | 121361X | Pulley V-Idler |
| 9 | 177748 | Keeper Asm. Belt Engine |
| 10 | 175287 | Bushing |
| 11 | 179335 | Clutch Electric |
| 12 | 143996 | Pulley Engine VGT Elect Clutch |
| 15 | 179115 | Tank Fuel Rear 5.0 Yt/Gt |
| 18 | 179124X428 | Cap Asm |
| 20 | 177328X428 | Control Throttle |
| 21 | 191611 | Screw 10 x 3/4 Single Lead Hex |
| 22 | 187768X428 | Control Choke |
| 26 | 3645J | Bushing |
| 27 | 139277 | Stem Tank Fuel |
| 28 | 7834R | Fuel Line |
| 29 | 137180 | Spark Arrester Kit |
| 31 | 145006 | Clip Push-In Hinged |
| 37 | 123487X | Clamp Hose |

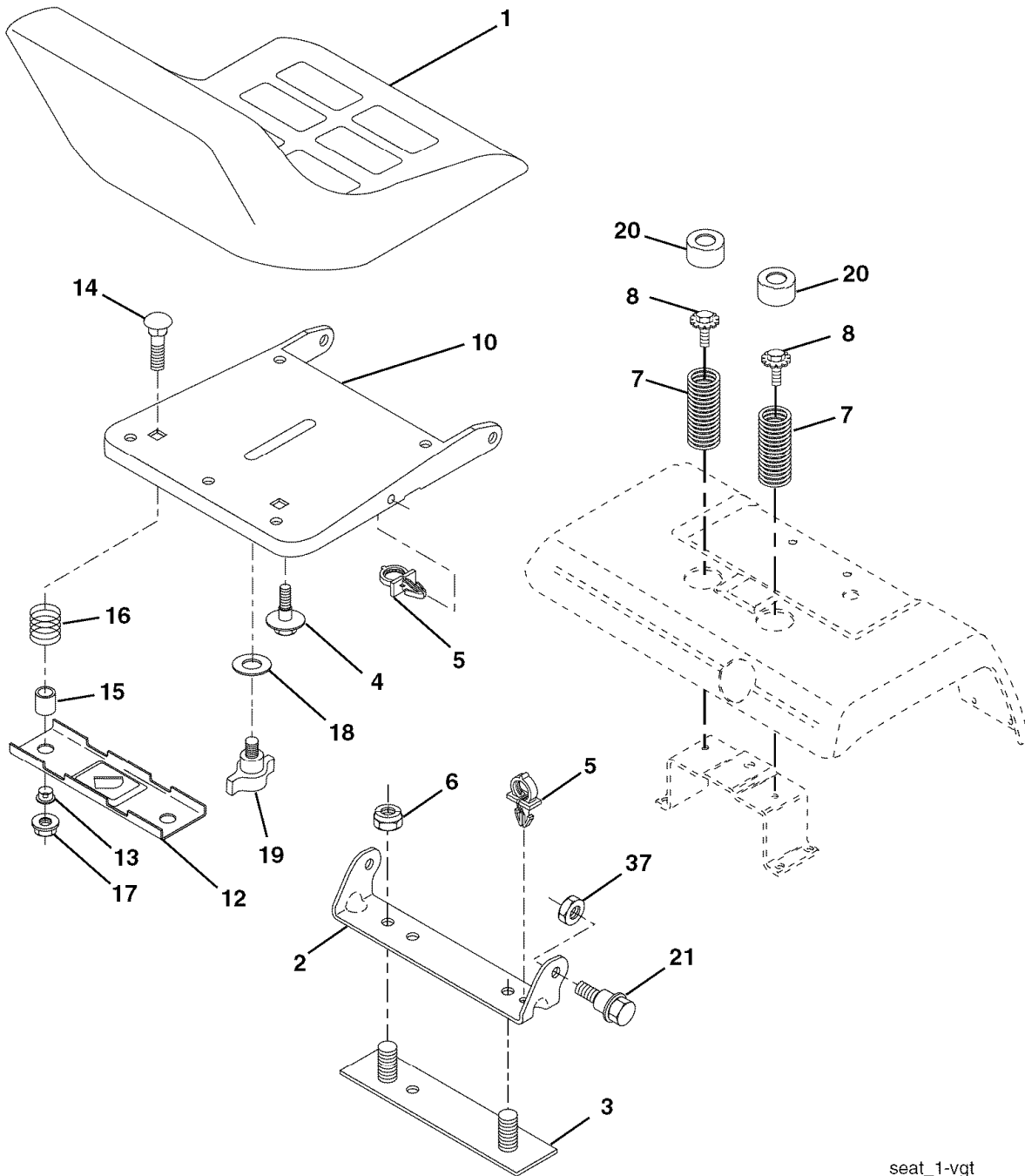
KEY PART NO. NO.

| KEY PART NO. | NO. | DESCRIPTION |
|--------------|-----------|-----------------------------------|
| 39 | 17490636 | Screw TT 3/8-16 x 2-1/4 unc |
| 40 | 17490664 | Screw TT 3/8-16 x 4 unc |
| 41 | 126197X | Washer 1-1/2 OD x 15/32 ID x .250 |
| 42 | STD551143 | Washer Lock 7/16 |
| 47 | 175288 | Bushing |
| 62 | 146629 | Shield Heat Muffler |
| 69 | 24-041-49 | Gasket |
| 70 | 175545 | Tube Exhaust LH |
| 71 | 175546 | Tube Exhaust RH |
| 80 | M73030800 | Nut Flange |
| 81 | 188800 | Tube Drain Oil Easy |
| 82 | 188799 | Valve Oil Drain |
| 83 | 171877 | Bolt 5/16-18 unc x 3/4 W/ Sems |
| 84 | 17060624 | Screw 3/8-16 x 1-1/2 |
| 85 | 179953 | Bolt Hex 7/16-20 x 3.75 Gr. 5 |
| 86 | 184362 | Nut Hex Flange Toplock M8-1.25 |

NOTE: All component dimensions given in U.S. inches
1 inch = 25.4 mm

TRACTOR -- MODEL NUMBER 917.276240

SEAT ASSEMBLY



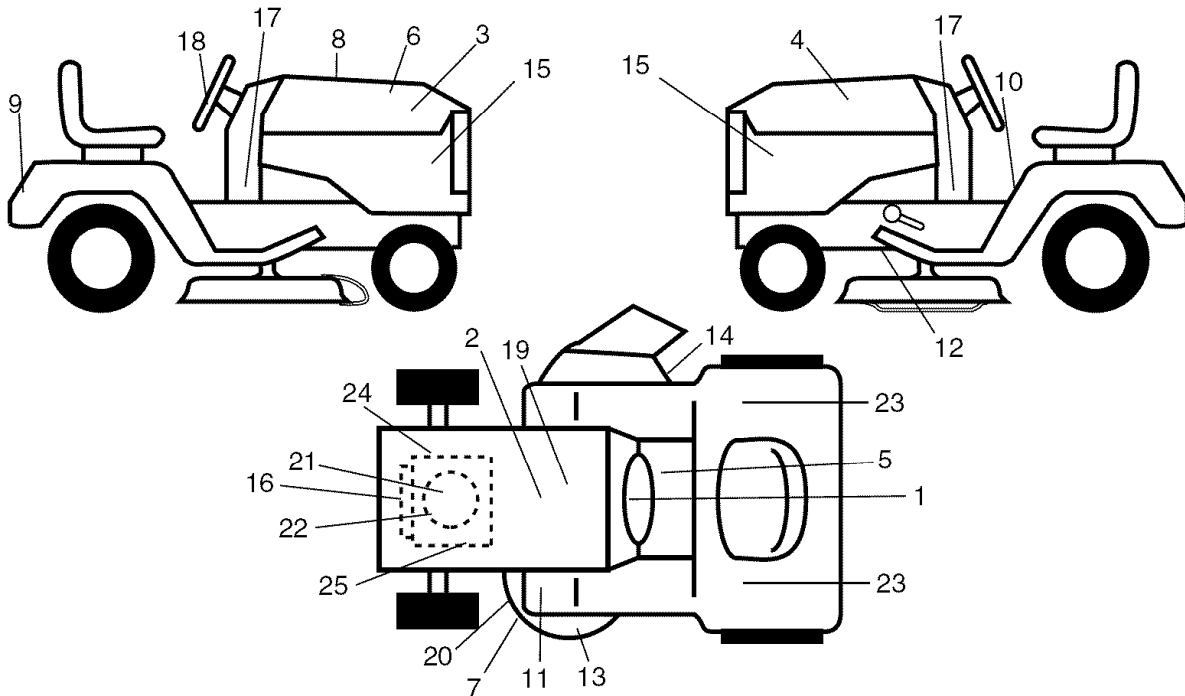
seat_1-vgt

| KEY PART NO. | KEY PART NO. | DESCRIPTION | KEY PART NO. | KEY PART NO. | DESCRIPTION |
|--------------|--------------|------------------------------|--------------|--------------|--------------------------------|
| 1 | 188714 | Seat | 14 | 72050412 | Bolt, Carriage 1/4-20 x 1-1/2 |
| 2 | 140551 | Bracket, Pivot Seat | 15 | 121249X | Spacer, Split |
| 3 | 140675 | Strap, Fender Assembly | 16 | 123740X | Spring, Cprsn |
| 4 | 127018X | Bolt Shoulder 5/16-18 x .62 | 17 | 123976X | Nut, Lock 1/4 Lge Flg Gr. 5 |
| 5 | 145006 | Clip, Push In, Hinged | 18 | 19171912 | Washer 17/32 x 1-3/16 x 12 Ga. |
| 6 | STD541437 | Nut 3/8-16 Unc | 19 | 166369 | Knob, Seat |
| 7 | 124181X | Spring, Seat Cprsn | 20 | 124238X | Cap, Spring Seat |
| 8 | 171877 | Bolt 5/16-18Unc x 3/4 w/Sems | 21 | 171852 | Bolt, Shoulder 5/16-18 |
| 10 | 182493 | Pan, Seat | 37 | 73800500 | Nut, Lock Hx w/Ins. 5/16-18 |
| 12 | 174648 | Bracket, Mounting Switch | | | |
| 13 | 121248X | Bushing, Snap | | | |

NOTE: All component dimensions given in U. S. inches 1 inch = 25.4 mm

TRACTOR -- MODEL NUMBER 917.276240

DECALS



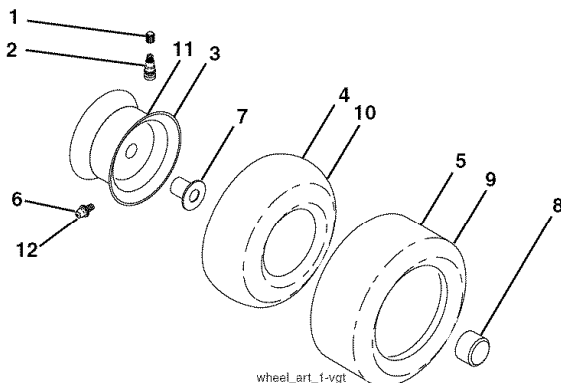
KEY PART NO. NO.

| KEY PART NO. | NO. | DESCRIPTION |
|--------------|--------|--------------------------------|
| 1 | 193599 | Decal Dash |
| 2 | 149516 | Decal Battery DNGR/PSN ENG Asm |
| 3 | 194023 | Decal Hood RH |
| 4 | 194024 | Decal Hood LH |
| 5 | 140837 | Decal Brake Parking Saddle |
| 6 | 133644 | Decal Maintenance |
| 7 | 193114 | Decal Deck Upstop |
| 8 | 191852 | Decal Replacement |
| 9 | 194027 | Decal Fender |
| 10 | 156439 | Decal Fender Danger |
| 11 | 181252 | Decal FTREST |
| 12 | 177554 | Decal V-Belt Dr Sch |
| 13 | 178482 | Decal Deck Heavy Duty |
| 14 | 188298 | Decal V-Belt Schem |
| 15 | 194026 | Decal Hood Side Pnl |

KEY PART NO. NO.

| KEY PART NO. | NO. | DESCRIPTION |
|--------------|------------|-------------------------|
| 16 | 177914 | Decal Engine |
| 17 | 177665 | Decal Dash Panel |
| 18 | 164065 | Decal Insert Strg |
| 19 | 138047 | Decal Battery |
| 20 | 178455 | Decal Deck Caution |
| 21 | 177918 | Decal Engine |
| 22 | 185980 | Decal Engine Logo |
| 23 | 106202X | Reflector, Taillight |
| 24 | 177916 | Decal Engine RH |
| 25 | 177917 | Decal Engine LH |
| -- | 179768X428 | Pad Footrest LH |
| -- | 166960 | Decal Drawbar Bypass |
| -- | 179769X428 | Pad Footrest RH |
| -- | 193488 | Owner's Manual, English |
| -- | 193489 | Owner's Manual, Spanish |

WHEELS AND TIRES



KEY PART NO. NO.

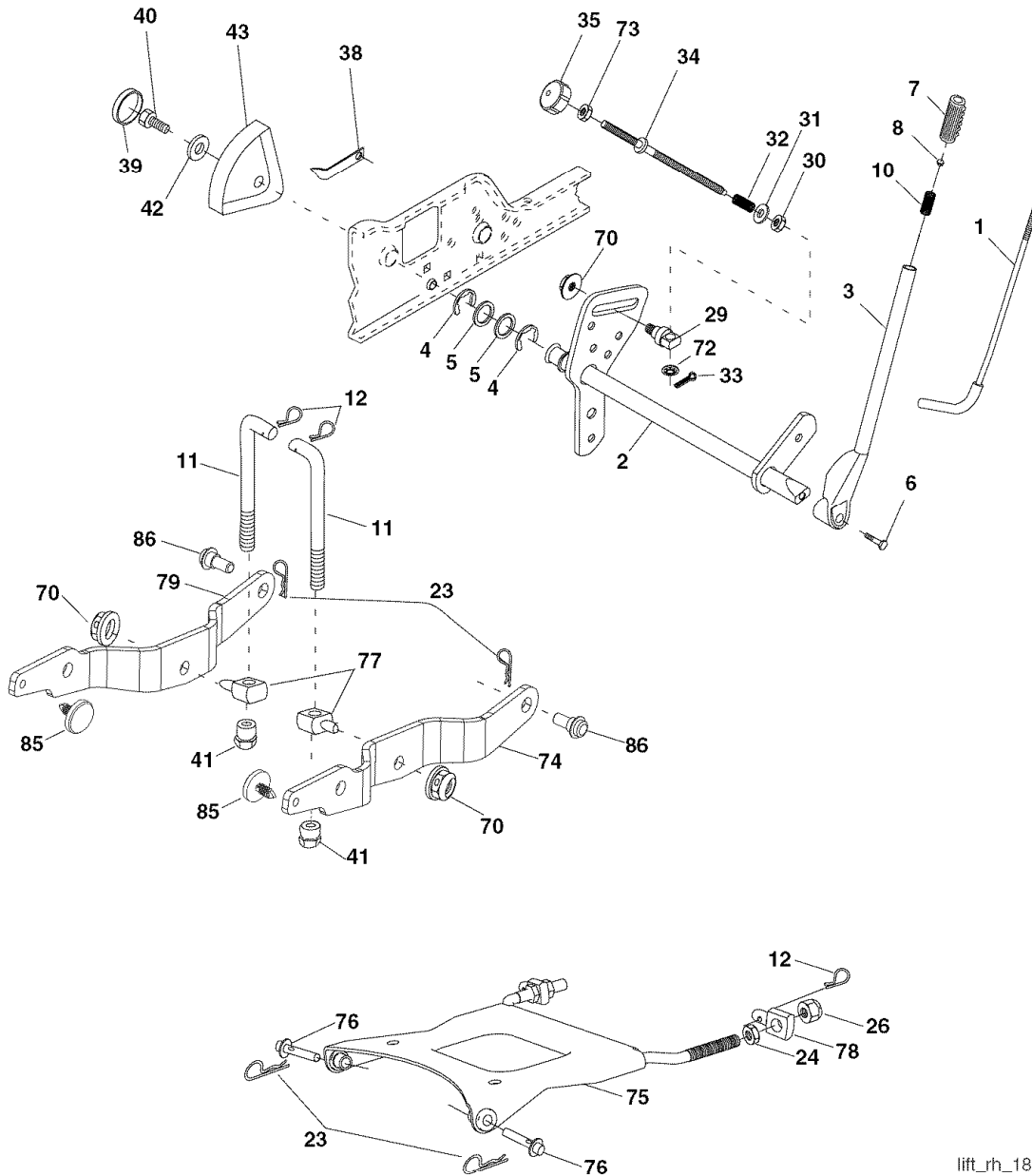
| KEY PART NO. | NO. | DESCRIPTION |
|--------------|------------|-----------------------------------|
| 1 | 59192 | Cap Valve Tire |
| 2 | 65139 | Stem Valve |
| 3 | 106228X417 | Rim Asm Front |
| 4 | 8134H | Tube, Front (Service Item Only) |
| 5 | 105588X | Tire, Front |
| 6 | 278H | Fitting Grease (Front Wheel Only) |
| 7 | 9040H | Bearing Flange(Front Wheel Only) |
| 8 | 104757X428 | Cap Axle (Front Wheel Only) |
| 9 | 106230X | Tire Rear |
| 10 | 7154J | Tube Rear (Service Item Only) |
| 11 | 106277X417 | Rim Asm Rear |
| 12 | 6856M | Fitting Grease |
| -- | 144334 | Sealant, Tire (10 oz. Tube) |

NOTE: All component dimensions given in U. S. inches 1 inch = 25.4 mm



TRACTOR -- MODEL NUMBER 917.276240

LIFT ASSEMBLY



lift_rh_18

KEY PART NO. NO.

| NO. | NO. | DESCRIPTION |
|-----|------------|-------------------------------|
| 1 | 121006X | Rod Asm., Lever |
| 2 | 180045 | Shaft Asm., Lift Vgt |
| 3 | 159189 | Lever Asm., Lift Rh |
| 4 | 1200022 | E-Ring Truarc #5133-87 |
| 5 | 19292016 | Washer 29/32 x 1-1/4 x 16 Ga. |
| 6 | 71110624 | Bolt, Fin Hex 3/8-16 x 1-1/2 |
| 7 | 175830 | Grip, Handle Fluted |
| 8 | 175831X505 | Plunger, Button |
| 10 | 183894 | Spring |
| 11 | 175375 | Link Lift |
| 12 | 163552 | Retainer Spring |
| 23 | STD624008 | Retainer, Spring |
| 24 | 73350800 | Nut, Jam Hex 1/2-13 unc |
| 26 | 73800800 | Nut Lock 1/2-13 unc |
| 29 | 150233 | Trunnion, Infin Height |
| 30 | 110807X | Nut, Special |
| 31 | STD551037 | Washer 13/32 x 5/8 x 16 Ga. |
| 32 | 137150 | Spring, Compression Inf Hgt |
| 33 | STD560907 | Pin, Cotter 3/32 x 1/2 |
| 34 | 137167 | Rod, Adj Lift |

KEY PART NO. NO.

| NO. | NO. | DESCRIPTION |
|-----|----------|-------------------------------|
| 35 | 138057 | Knob, Inf 3/8-16 unc |
| 38 | 155097 | Pointer, Height Indicator |
| 39 | 123935X | Plug, Hole |
| 40 | 17060516 | Screw Hex Wsh 5/16-18 x 1 |
| 41 | 175994 | Nut, Lift Link 7/16-20 |
| 42 | 19112410 | Washer 11/32 x 1-1/2 x 10 Ga. |
| 43 | 123934X | Scale, Indicator Height |
| 70 | 145212 | Nut Hex Flange Lock |
| 72 | 110452X | Nut Push Phos & Oil |
| 73 | 73350600 | Nut Hex Jam 3/8-16 unc |
| 74 | 187277 | Arm Susp. Rear RH |
| 75 | 175805 | Plate Asm. Susp. Front |
| 76 | 175560 | Pin, Flange |
| 77 | 176205 | Trunnion Susp. Arm |
| 78 | 175689 | Trunnion Susp. Front |
| 79 | 187276 | Arm, susp. R LH |
| 85 | 189013 | Insert Wear |
| 86 | 188528 | Bolt Shoulder |

NOTE: All component dimensions given in U. S. inches 1 inch = 25.4 mm

MOWER DECK

TRACTOR -- MODEL NUMBER 917.276240

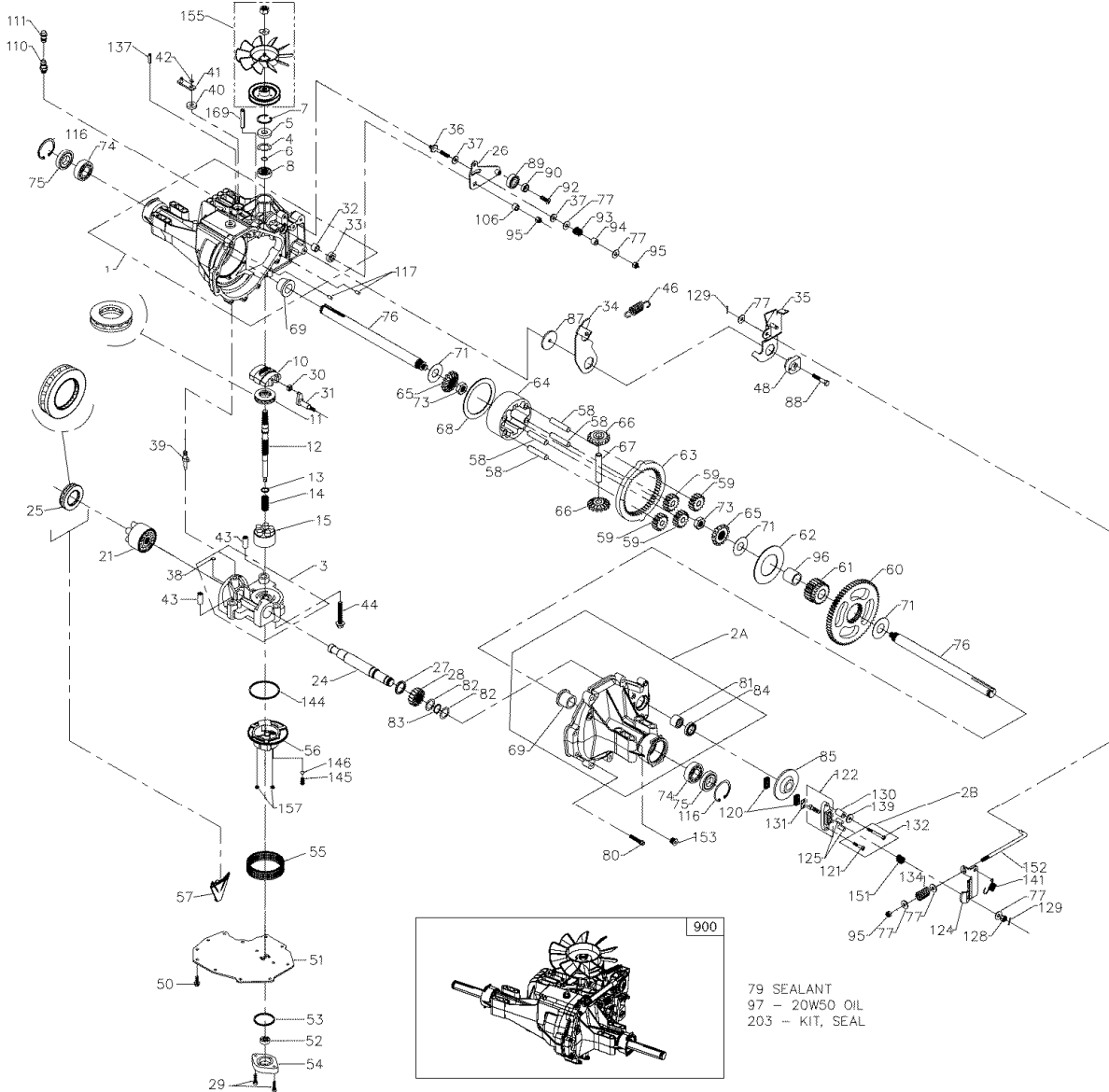
| KEY NO. | PART NO. | DESCRIPTION |
|----------------|-----------------|---|
| 1 | 187295 | Deck Weldment Mower |
| 5 | STD624008 | Retainer Spring |
| 6 | 187297 | Cover Mandrel LH |
| 7 | 188187 | Cover Mandrel RH |
| 8 | 174365 | Bolt 7/16 Asm. Blade |
| 11 | 187254 | Blade, Standard (For mulching mowers only) |
| 13 | 187291 | Shaft Asm. w/Lower Bearing |
| 14 | 187281 | Mandrel Housing. |
| 15 | 110485X | Bearing, Ball, Mandrel |
| 17 | 72140505 | Bolt, Carriage 5/16-18 x 5/8 |
| 21 | 73680500 | Nut, Crownlock 5/16-18 unc |
| 25 | 178102 | Spring, Torsion |
| 26 | 110452X | Nut, Push |
| 27 | 187257X428 | Deflector Shield |
| 29 | 131491 | Rod, Hinge |
| 30 | 173984 | Screw, Thdroll Washer Head |
| 31 | 187690 | Washer, Spacer Mower Vented |
| 32 | 153535 | Pulley, Mandrel |
| 33 | 178342 | Nut, Flg. Top Lock Cntr. 9/16 |
| 34 | 73680600 | Nut |
| 35 | 188635 | Pin Suspension Rear |
| 36 | 19131316 | Washer 13/32 x 13/16 x 16 Ga. |
| 38 | 188657 | Spring Compression |
| 39 | 187284 | Pulley, Idler, Stationary |
| 42 | 165723 | Spacer, Retainer |
| 43 | 187278 | Arm, Idler |
| 46 | 137729 | Screw, Thdroll. 1/4-20 x 5/8 |
| 47 | 191273 | V-Belt, Mower |
| 49 | 73900600 | Nut, Lock Flg. 3/8-16 unc |
| 50 | 72110616 | Bolt, Carr. 3/8-16 x 2 |
| 51 | 72110610 | Bolt |
| 52 | 188460 | Pulley Idler Clutching |
| 56 | 155986 | Bar Pnt Adj. |
| 57 | 156941 | Pin Head Rivet |
| 58 | 187342 | Baffle Right |
| 59 | 187344 | Baffle Left |
| 60 | 187607 | Baffle Center |
| 97 | 19133210 | Washer 13/32 |
| 98 | 187282 | Spring Clutch Drive |
| 113 | 72110508 | Bolt Rdhd Sqnk 5/16-18 x 3/4 |
| 114 | 187556 | Rod Tension Relief |
| 116 | 184219 | Bolt, Shoulder |
| 117 | 174873 | Gauge Wheel |
| 118 | 73930600 | Nut, Centerlock 3/8-16 unc |
| 119 | 19121414 | Washer 3/8 x 7/8 x 14 Ga. |
| 122 | 187557 | Bushing Tension Relief |
| -- | 187292 | Mandrel Asm. Service (Includes Key Nos. 13-15 and 33) |
| -- | 188271 | Replacement Mower, Complete |

NOTE: All component dimensions given in U. S. inches 1 inch = 25.4 mm



TRACTOR -- MODEL NUMBER 917.276240

TRANSAXLE--MODEL NUMBER 331-3000



TRACTOR -- MODEL NUMBER 917.276240

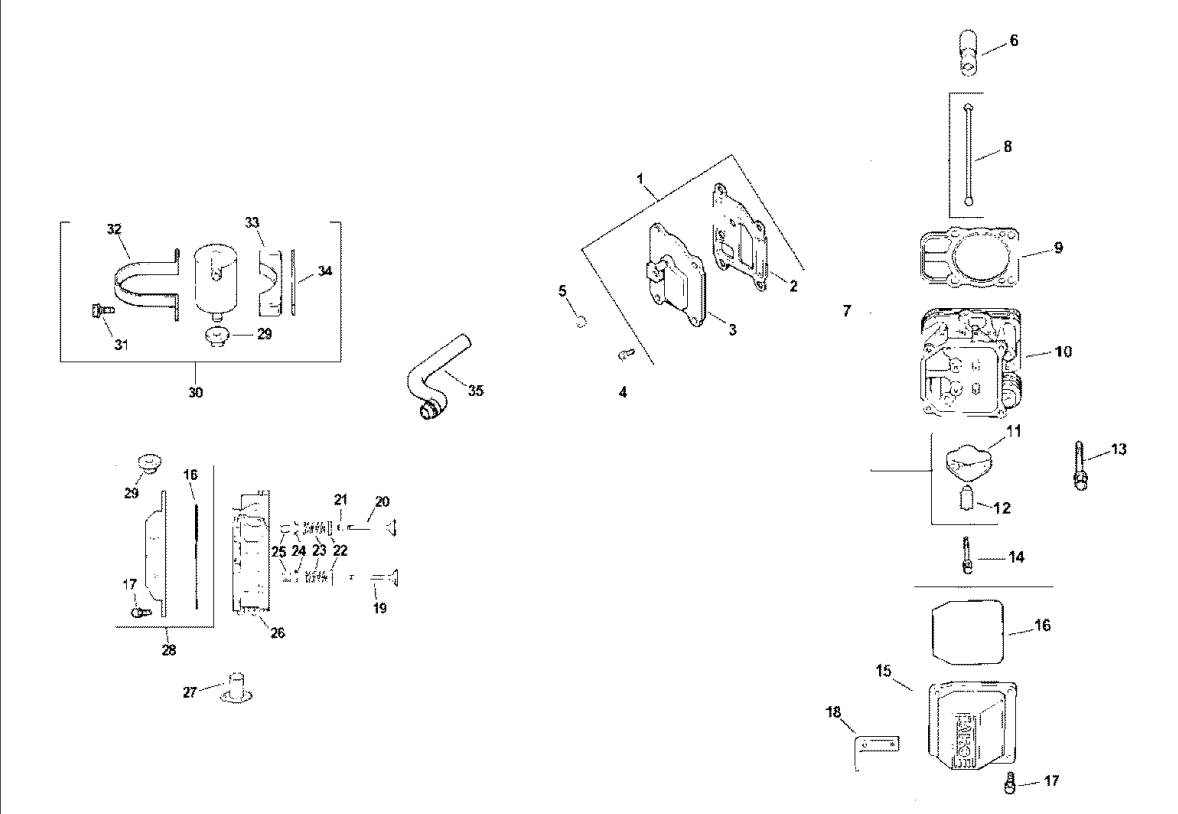
TRANSAXLE--MODEL NUMBER 331-3000

| KEY NO. | PART NO. | DESCRIPTION | KEY NO. | PART NO. | DESCRIPTION |
|---------|----------|---|---------|----------|--|
| 1 | 161122 | Kit, housing main | 65 | 161150 | Gear, differential bevel (310-3000) |
| | | Main housing | 66 | 161151 | Gear, differential bevel pinion (310-3000) |
| | | Lip seal | | | |
| | | Flange bearing | 67 | 161152 | Shaft, differential (310-3000) |
| | | Trunnion bushing | 68 | 161153 | Plate, differential thrust (310-3000) |
| | | Cradle bearing | 69 | 169534 | Bearing, flange (310-3000) |
| 2A | 193015 | Kit, housing r/h | 71 | 161155 | Washer, flat (1.00 ld) (310-3000) |
| | | R.H. Housing | 73 | 161156 | Nut, 5/8-18 hex jam (310-3000) |
| | | Flange bearing | 74 | 169535 | Bearing, ball (310-3000) |
| | | Needle bearing (sce1412) | 75 | 161157 | Seal, lip (310-3000) |
| | | Lip seal (.875 ID x 1.3 OD x .25) | 76 | 161158 | Shaft, axle (310-3000) |
| 2B | 193016 | Kit, brake bolt | 77 | 142884 | Washer, flat |
| | | Bolt, hex hd 1/4-20 x 1.25 W/patch | 79 | 178322 | Sealant tube |
| | | Bolt, hex hd 1/4-20 x 2.25 W/patch | 80 | 161159 | Screw, torx head 5/16-18 (310-3000) |
| 3 | 184703 | Kit, center section | 81 | 161160 | Bearing, needle (210-3000) |
| | | Center section | 82 | 161161 | Washer, flat (0.880 ID) (310-3000) |
| | | Bushing .50 X .60 X .50 | 83 | 161162 | Ring, retaining (310-3000) |
| | | Bushing .90 X 1.02 X .75 | 84 | 161163 | Seal, lip (.875 ID x 1.38 OD x .25) (310-3000) |
| | | Plate, bypass | | | |
| | | Check plug assembly,.044 | 85 | 161164 | Brake disc (310-3000) |
| | | Check plug assembly, no bleed | 87 | 178323 | Washer (310-3000) |
| 4 | 161125 | Spacer (BDP, BDU 10) | 88 | 178784 | Screw, 5/16-24x 1 1/2 socket head cap (310-3000) |
| 5 | 142932 | Seal, lip | | | |
| 6 | 142928 | Retaining ring | 89 | 178783 | Bearing, ball |
| 7 | 142933 | Retaining ring | 90 | 178326 | Spacer, locating (310-3000) |
| 8 | 142934 | Bearing, ball | 92 | 178787 | Screw (310-3000) |
| 10 | 169524 | Swash plate (BDP, BDU 10) | 93 | 142969 | Spring |
| 11 | 173159 | Bearing, thrust (10cc) | 94 | 142980 | Spacer |
| 12 | 161126 | Shaft, input (310-3000) | 95 | 169537 | Nut, nylon insert hex lock 5/16-24 |
| 13 | 142978 | Washer, block thrust | 96 | 169538 | Bearing, sleeve (310-3000) |
| 14 | 142977 | Spring, helical compression | 97 | ----- | 20W-50 oil 122 oz |
| 15 | 169898 | Kit, cylinder block (10cc) | 106 | 161166 | Spacer, trunnion (310-3000) |
| | | 10CC cylinder block | 108 | 150800 | Plug, plastic shipping |
| | | 10CC piston | 110 | 150813 | O-ring |
| | | 10CC piston spring | | | Fitting, plastic hose |
| | | Piston seat washer | | | O-ring |
| 21 | 150786 | Block, (BD-21& IHT) | 111 | 150812 | Breather vent, plastic |
| | | 21CC Cylinder block | | | Vent, plastic |
| | | Piston seat washer | | | Vent, cap |
| | | 21CC piston | 116 | 169539 | Ring, retaining (310-3000) |
| | | 21CC piston spring | 117 | 161168 | Pin |
| 24 | 161127 | Shaft, motor (310-3000) | 120 | 142883 | Brake puck |
| 25 | 169526 | Bearing, thrust (21cc) | 121 | 193019 | Bolt, hex hd 1/4-20 x 1.25 W/patch |
| 26 | 161128 | Control arm (310-3000) | 122 | 178329 | Kit, brake yoke |
| 27 | 161129 | Spacer (310-3000) | 124 | 178330 | Brake arm |
| 28 | 161130 | Gear, 16t pinion | 125 | 170409 | Pin, brake actuating |
| 29 | 169527 | Capscrew | 128 | 170415 | Nut, castle 5/16-24 |
| 30 | 142941 | Guide block (BD-21) | 129 | 170416 | Pin, cotter 3/32x3/4 |
| 31 | 169887 | Trunnion, tapered square | 130 | 170411 | Spacer, brake torsion spring |
| 32 | 161133 | Bearing, journal | 131 | 142882 | Brake puck plate |
| 33 | 142940 | Seal, lip | 132 | 193020 | Bolt, hex hd 1/4-20 x 2.25 W/patch |
| 34 | 178318 | Return arm (310-3000) | 134 | 178331 | Brake comp. Spring |
| 35 | 178319 | Actuating arm (310-3000) | 137 | 178333 | Pin, spring (310-3000) |
| 36 | 170421 | Bolt, stud 5/16-24 | 139 | 161176 | Washer, flat |
| 37 | 142967 | Friction puck | 141 | 178335 | Spring, brake arm bias |
| 38 | 184694 | Kit, bypass plate | 144 | 169545 | O-ring |
| 39 | 169529 | Bypass actuator (IHT) | 145 | 169546 | Spring, relief |
| 40 | 142945 | Seal, lip | 146 | 169547 | Steel ball 7/16 |
| 41 | 142952 | Bypass arm | 151 | 170417 | Brake spring |
| 42 | 142953 | Retaining ring | 152 | 178336 | Brake pull rod |
| 43 | 142965 | Pin | 153 | 170434 | Plug, straight thread 9/16-18 |
| 44 | 150797 | Bolt 3/8-24 x 2-1/2 | 155 | 178337 | Kit, fan/pulley |
| 46 | 184702 | Spring, neutral (310-3000) | | | Nut, jam 1/2-20 |
| 48 | 178320 | Puck, adjusting (310-3000) | | | Washer, OD slotted .53 X 1.63 X .06 |
| 50 | 178343 | Screw, hex head washer cap screw (IZT) 1/4-20 x 3/4 | | | Pulley |
| 51 | 169530 | Lower cover | 157 | 169548 | Fan |
| 52 | 169531 | Geroter assembly | 169 | 184701 | O-ring |
| 53 | 144581 | O-ring | 203 | 178338 | Pin, spring 5/16 x 1.75 |
| 54 | 161139 | Charge pump housing | | | Kit, seal |
| 55 | 178321 | Kit, filter | | | Lip seal 15 x 5 x 37 |
| | | Gasket .10 X .16 X 4.24 | | | Lip seal 12 x 25 x 7 |
| | | Filter | | | Lip seal 10 x 25 x 7 |
| 56 | 169533 | Charge manifold 310-3000 | | | O-ring .103 X 1.862 |
| 57 | 161142 | Retainer, motor bearing (310-3000) | | | Seal 25 x 52 x 10 |
| 58 | 161143 | Pin, carrier (310-3000) | | | Lip seal .875 ID x 1.3 OD x .25 |
| 59 | 161144 | Gear, 15t planet (310-3000) | | | O-ring .070 X .239 |
| 60 | 161145 | Gear, 67t spur (310-3000) | | | Kit, o-ring, manifold |
| 61 | 161146 | Gear, 21t sun (310-3000) | | | Pin, spring 5/16 x 1.75 |
| 62 | 161147 | Plate, planet thrust (310-3000) | 900 | 176056 | Pin, spring 1/4 x 1.00 |
| 63 | 161148 | Gear, 51t ring (310-3000) | | | Transaxle |
| 64 | 161149 | Carrier, planetary (310-3000) | | | |

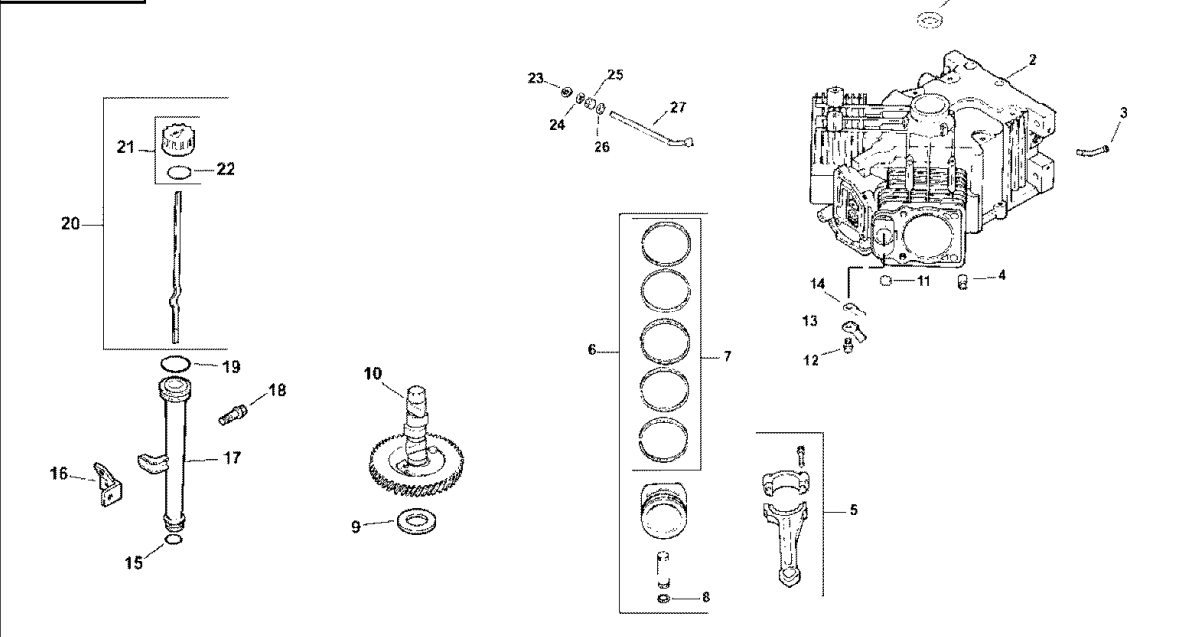
NOTE: All Component Dimensions Given In U.s. Inches
1 Inch = 25.4 MM

TRACTOR -- MODEL NUMBER 917.276240
KOHLER ENGINE-MODEL NUMBER CV730, TYPE NUMBER 0029

CYLINDER HEAD, VALVE AND BREATHER



CRANKCASE



**TRACTOR -- MODEL NUMBER 917.276240
KOHLER ENGINE-MODEL NUMBER CV730, TYPE NUMBER 0029**

HEAD/VALVE/BREATHER

| KEY NO. | PART NO. | DESCRIPTION |
|---------|--------------|---|
| 1. | 24-033-03-S | Kit, breather cover w/gasket (Includes 2, 3) |
| 2. | 24-041-50-S | Gasket, breather |
| 3. | 24-096-87-S | Cover, breather |
| 4. | M-645020-S | Screw, hex. flange M6x1.0x20 (4) |
| 5. | 25 139 60-S | Plug, hex. ctsk. 1/8" |
| 6. | 25-351-01-S | Lifter, valve (4) |
| 7. | 24-755-66-S | Kit, valve train (Includes 8, 11, 12) |
| 8. | 24-411-05-S | Rod, push (4) |
| 9. | 24-841-03-S | Kit, cylinder head gasket (2) (Includes 13) |
| 10. | 24-318-72-S | Head assembly, #2 cylinder |
| 11. | 25-186-01-S | Arm, rocker (4) |
| 12. | 24-599-01-S | Pivot, rocker arm (4) |
| 13. | 12 086 16-S | Screw, hex. flange M10x1.5x90 (8) |
| 14. | 66-086-07-S | Screw, hex. flange M6x1.0x34 (4) |
| 15. | 24-755-141-S | Kit, valve cover - plain (Includes 16,17) |
| 16. | 24-153-28-S | O-Ring |
| 17. | M-651030-S | Screw, hex. flange M6x1.0x30 (4) |
| 18. | 24-445-01-S | Strap, lifting |
| 19. | 24-016-01-S | Valve, exhaust (Std.) (2) |
| | 24-016-02-S | Valve, exhaust (.25) (2) |
| 20. | 24-017-01-S | Valve, intake (Std.) (2) |
| | 24-017-02-S | Valve, intake (.25) (2) |
| 21. | 66-032-05-S | Seal, valve stem (2) |
| 22. | 235011-S | Retainer, spring (4) |
| 23. | 24-089-02-S | Spring, valve (4) |
| 24. | 12-173-01-S | Cap, valve spring (4) |
| 25. | 12-755-03-S | Kit, retainer (4) |
| 26. | 24-318-69-S | Head assembly, #1 cylinder |
| 27. | 24-755-142-S | Kit, valve cover - breather (Includes 16,17,29) |
| 28. | 25-313-03-S | Grommet, rubber |
| 29. | 24-755-57-S | Kit, breather separator (Includes 29,31-34) |
| 30. | M-545016-S | Screw, hex. flange M5x0.8x16 (2) |
| 31. | 24-445-02-S | Strap, breather |
| 32. | 24-126-44-S | Bracket, breather separator |
| 33. | 24-112-12-S | Spacer |
| 35. | 24-326-55-S | Hose, breather |

CRANKCASE

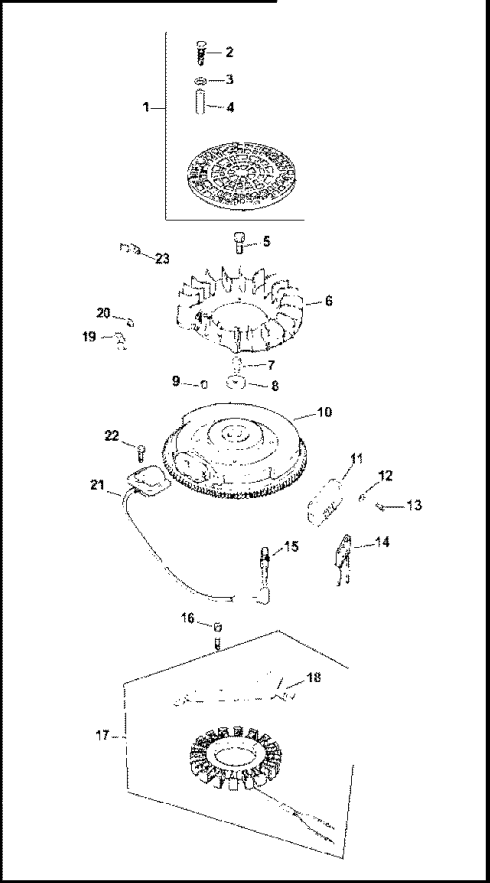
| KEY NO. | PART NO. | DESCRIPTION |
|---------|-------------|--|
| 1. | 24-032-01-S | Seal, front oil |
| 2. | | Crankcase (USE: Miniblock 24 782 14) |
| 3. | 24-294-13-S | Fitting |
| 4. | 24-380-13-S | Pin, locating (6) |
| 5. | 24-067-13-S | Connecting Rod (Std.) (2) |
| | 24-067-14-S | Connecting Rod (.25) (2) |
| 6. | 24-874-08-S | Piston w/Ring Set (Std.) (2) (Includes 7, 8) |
| | 24-874-16-S | Piston w/Ring Set (.08) |
| | 24-874-20-S | Piston w/Ring Set (.25) |
| | 24-874-21-S | Piston w/Ring Set (.50) |
| 7. | 24-108-05-S | Ring Set (Std. & .08) (2) |
| | 24-108-06-S | Ring Set (.25) |
| | 24-108-07-S | Ring Set (.50) |
| 8. | 24-018-01-S | Retainer, piston pin (4) |
| 9. | 12-422-09-S | Shim, camshaft (A.R.) |
| | 12-422-13-S | Shim, camshaft (A.R.) |
| | 12-422-07-S | Shim, camshaft (A.R.) |
| | 12-422-08-S | Shim, camshaft (A.R.) |
| | 12-422-10-S | Shim, camshaft |
| | 12-422-11-S | Shim, camshaft (A.R.) |
| | 12-422-12-S | Shim, camshaft (A.R.) |
| 10. | 24-012-16-S | Camshaft |
| 11. | 52-139-09-S | Plug, cup |
| 12. | M-545010-S | Screw, hex. flange M5x0.8x10 (2) |
| 13. | 24-018-04-S | Retainer, reed (2) |
| 14. | 24-402-05-S | Reed, breather (2) |
| 15. | 12-153-01-S | O-Ring, lower oil fill tube |
| 16. | 24-126-19-S | Bracket, oil fill tube |
| 17. | 12-123-04-S | Tube, oil fill |
| 18. | M-545016-S | Screw, hex. flange M5x0.8x16 |
| 19. | 12-153-02-S | O-Ring, upper oil fill tube |
| 20. | 24-038-04-S | Dipstick assembly (Includes 21, 22) |
| 21. | 24-755-46-S | Kit, oil fill cap (Includes 22) |
| 22. | 25 153 02-S | O-Ring, dipstick |
| 23. | 24-018-09-S | Ring, retainer |
| 24. | M-931010-S | Washer, nylon (top) |
| 25. | 28-032-09-S | Seal, governor cross shaft |
| 26. | 24-468-15-S | Washer (bottom) |
| 27. | 24-144-38-S | Shaft, governor cross |

NOTE: All component dimensions given in U.S. inches 1 inch = 25.4 mm

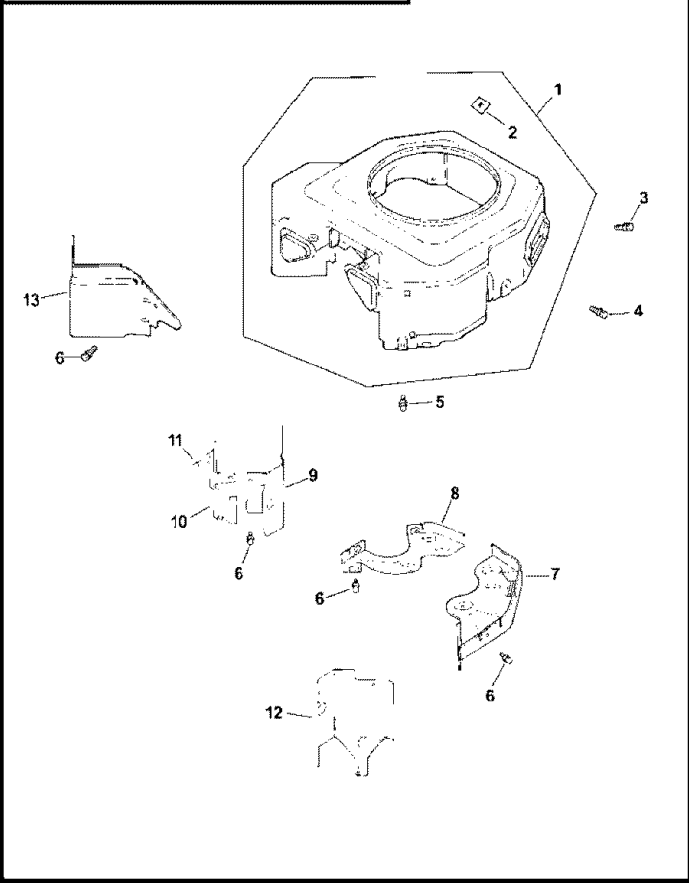


TRACTOR -- MODEL NUMBER 917.276240
KOHLER ENGINE-MODEL NUMBER CV730, TYPE NUMBER 0029

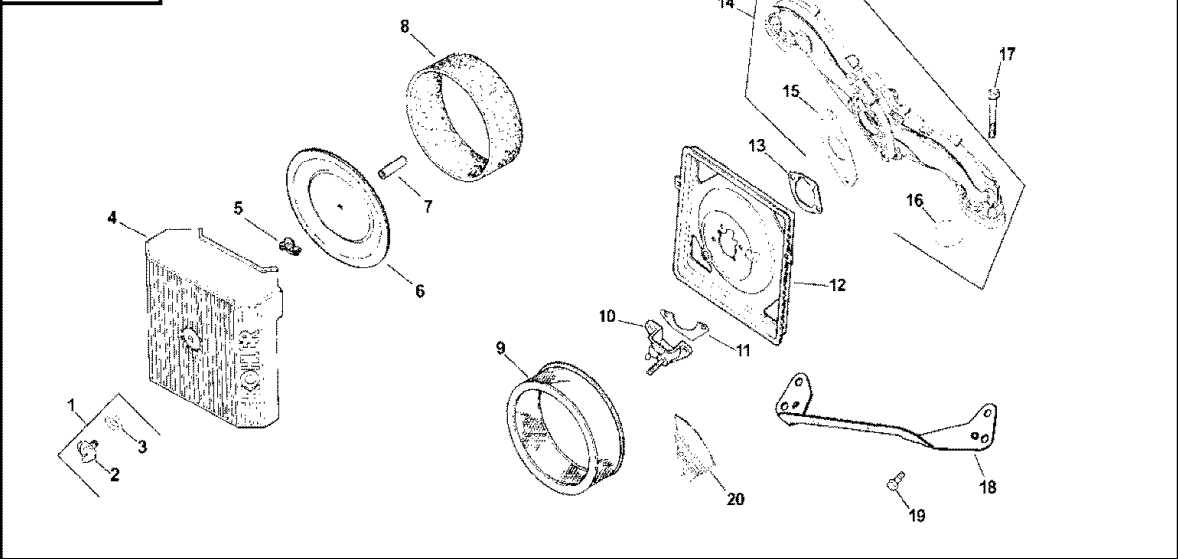
IGNITION/ELECTRICAL



BLOWER HOUSING AND BAFFLES



AIR INTAKE



**TRACTOR -- MODEL NUMBER 917.276240
 KOHLER ENGINE-MODEL NUMBER CV730, TYPE NUMBER 0029**

IGNITION/ELECTRICAL

| KEY NO. | PART NO. | DESCRIPTION |
|------------------------|--------------|---|
| 1. | 54-755-15-S | Kit, grass screen (Includes 2-4, & 24-113-18-S) |
| 2. | M-403025-S | Screw, hex. cap M4x0.7x25 (4) |
| 3. | X-25-92-S | Washer, plain 5/16" (4) |
| 4. | 24-112-04-S | Spacer, grass screen (4) |
| 5. | 25-086-47-S | Bolt, shoulder M6x1.0x16 (4) |
| 6. | 24-157-08-S | Fan |
| 7. | 12-086-14-S | Screw, hex. flange M10x1.5x46 |
| 8. | 12-468-03-S | Washer, plain 3/8" |
| 9. | X-42-15-S | Key |
| 10. | 24-025-01-S | Flywheel |
| 11. | 41-403-09-S | Rectifier-regulator |
| 12. | X-25-92-S | Washer, plain 3/16" (3) |
| 13. | 24-086-18-S | Screw, phillips hd. 11-16x7/8 (2) |
| 14. | 236602-S | Connector (3 contact) |
| 15. | 12-132-02-S | Spark Plug (2) |
| 16. | M-548025-S | Screw, hex. cap M5x0.8x25 (2) |
| 17. | 54-755-09-S | Kit, 15 amp stator (Includes 18) |
| 18. | 24 126 71-S | Bracket, stator wire |
| 19. | 48-154-02-S | Clip, cable |
| 20. | X-25-63-S | Washer, plain 1/4" |
| 21. | 24-584-01-S | Module, ignition (2) |
| 22. | M-545020-S | Screw, hex flange M5x0.8x20 (4) |
| 23. | 235173-S | Clip, cable |
| NOT ILLUSTRATED | | |
| | 24-126-137-S | Bracket, ground strap |
| | 24-176-82-S | Harness, wiring |
| | 25-454-03-S | Tie, wire (3) |
| | 24-113-18-S | Decal, grass screen |

BLOWER HOUSING & BAFFLES

| KEY NO. | PART NO. | DESCRIPTION |
|------------------------|--------------|------------------------------------|
| 1. | 24-027-114-S | Housing, blower (Includes 2) |
| 2. | 24-100-01-S | Nut, plastic (2) |
| 3. | M-551016-S | Screw, hex. flange M5x0.8x16 |
| 4. | M-545016-S | Screw, hex. flange M5x0.8x16 (3) |
| 5. | M-545020-S | Screw, hex. flange M5x0.8x20 (4) |
| 6. | M-645016-S | Screw, hex. flange M6x1.0x16 (6) |
| 7. | 24-146-16-S | Plate, backing - # 2 side |
| 8. | 24-146-20-S | Plate, backing - # 1 side |
| 9. | 24-063-39-S | Baffle, cylinder barrel - # 2 side |
| 10. | 24-063-58-S | Baffle, cylinder barrel - # 1 side |
| 11. | M-545010-S | Screw, hex. flange M5x0.8x10 (2) |
| 12. | 24-063-14-S | Baffle, valley - #2 side |
| 13. | 24-063-60-S | Baffle, valley - #1 side |
| NOT ILLUSTRATED | | |
| | 24-096-85-S | Cover, blower housing |
| | 25-086-91-S | Screw, tapping 10-16x1/2" (2) |
| | 25-113-39-S | Decal, clear lamination |

AIR INTAKE/FILTRATION

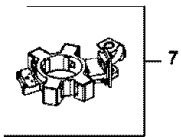
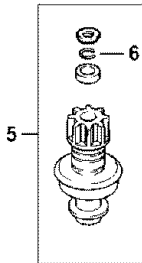
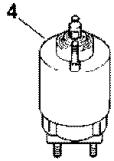
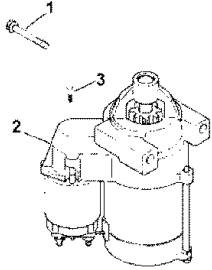
| KEY NO. | PART NO. | DESCRIPTION |
|---------|--------------|------------------------------------|
| 1. | 54-755-01-S | Kit, knob with seal (Includes 2,3) |
| 2. | 20-341-01-S | Knob, cover |
| 3. | 24-153-20-S | O-Ring |
| 4. | 24-096-67-S | Cover, air cleaner |
| 5. | 12-100-01-S | Wing Nut |
| 6. | 24-096-01-S | Cover, inner air cleaner |
| 7. | 231032-S | Seal, breather |
| 8. | 24-083-05-S | Precleaner, element |
| 9. | 24-083-03-S | Element, air cleaner |
| 10. | 24-109-09-S | Cup, fuel spit-back |
| 11. | 24-041-13-S | Gasket, fuel spit-back cup |
| 12. | 24-094-34-S | Base, air cleaner |
| 13. | 24-041-14-S | Gasket, air cleaner base |
| 14. | 24-164-51-S | Manifold, intake (Includes 15,16) |
| 15. | 24 041 52-S | Gasket, carburetor |
| 16. | 24 153 27-S | O-Ring, intake port (2) |
| 17. | M-651040-S | Screw, hex. flange M6x1.0x40 (4) |
| 18. | 24 126 130-S | Bracket, air cleaner base |
| 19. | M-545010-S | Screw, hex. flange M5x0.8x10 (2) |
| 20. | 24-063-51-S | Baffle, spit-back cup |

NOTE: All component dimensions given in U.S. inches 1 inch = 25.4 mm

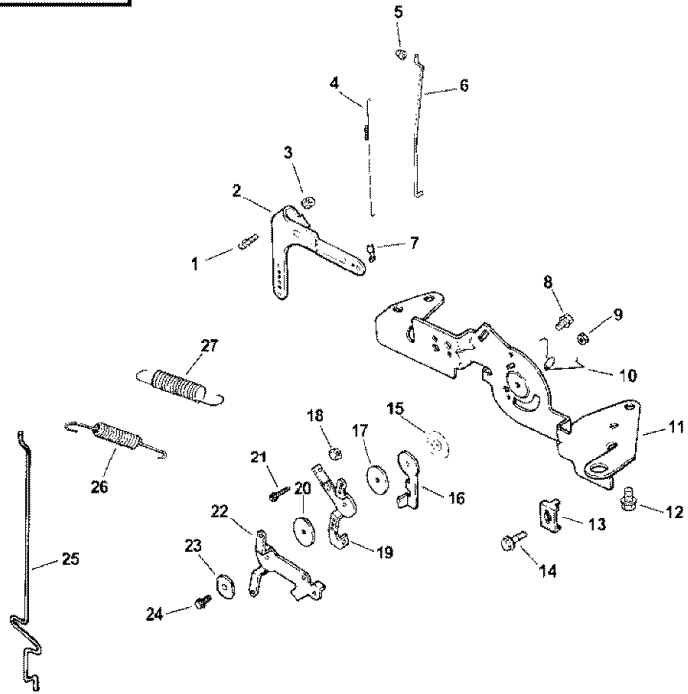


TRACTOR -- MODEL NUMBER 917.276240
KOHLER ENGINE-MODEL NUMBER CV730, TYPE NUMBER 0029

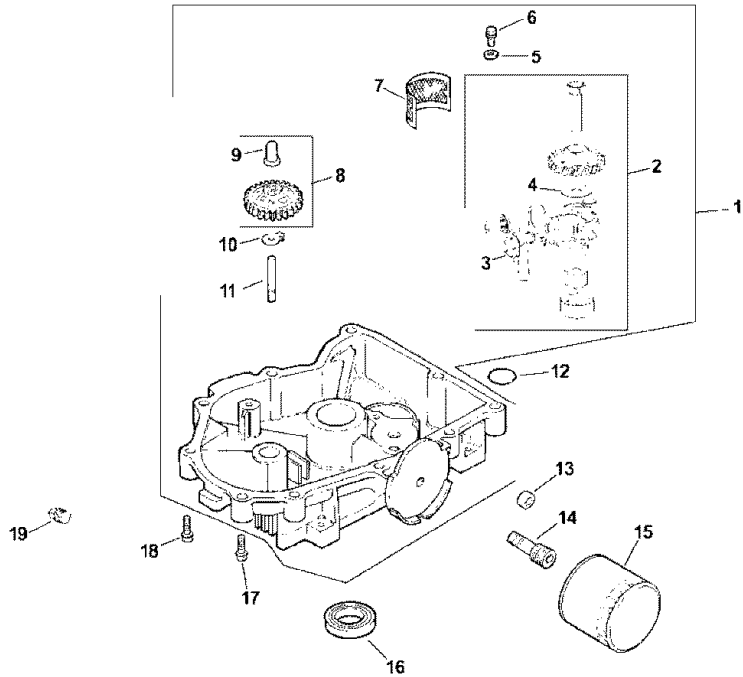
STARTING SYSTEM



ENGINE CONTROLS



OIL PAN / LUBRICATION



**TRACTOR -- MODEL NUMBER 917.276240
KOHLER ENGINE-MODEL NUMBER CV730, TYPE NUMBER 0029**

STARTING SYSTEM

| KEY NO. | PART NO. | DESCRIPTION |
|---------|--------------|--|
| 1. | M-839080-S | Screw, hex. flange M8x1.25x80 (2) |
| 2. | 25-098-09-S | Starter, solenoid shift (Includes 3-7) |
| 3. | 25 086 113-S | Screw, external torx hd. (3) |
| 4. | 25-435-05-S | Kit, solenoid (Includes 3) |
| 5. | 25-755-33-S | Kit, pinion drive (Includes 6) |
| 6. | 25-141-05-S | Ring |
| 7. | 25-221-01-S | Kit, brush |

ENGINE CONTROLS

| KEY NO. | PART NO. | DESCRIPTION |
|---------|-------------|----------------------------------|
| 1. | 24 211 03-S | Bolt, round head square neck |
| 2. | 24-090-33-S | Lever, governor |
| 3. | M-641060-S | Nut, hex. flange M6x1.0 |
| 4. | 24-089-01-S | Spring, linkage |
| 5. | 25-158-08-S | Bushing, linkage retaining |
| 6. | 24-079-04-S | Linkage, throttle |
| 7. | 25-158-11-S | Bushing, throttle linkage |
| 8. | M-545016-S | Screw, hex. flange M5x0.8x16 |
| 9. | M-547050-S | Nut, hex. lock M5x0.8 |
| 10. | 24-089-03-S | Spring, choke return |
| 11. | 24-126-56-S | Bracket, control |
| 12. | M-645016-S | Screw, hex. flange M6x1.0x16 (4) |
| 13. | 12-237-01-S | Clamp, cable (2) |
| 14. | 24-086-43-S | Screw, hex. flange M5x0.8x16 (2) |
| 15. | 24-112-27-S | Spacer |
| 16. | 24-090-47-S | Lever, throttle actuator |
| 17. | 24-468-20-S | Washer, plain |
| 18. | M-446030-S | Nut, hex M4x0.7 |
| 19. | 24-090-13-S | Lever, throttle control |
| 20. | 24-468-01-S | Washer, plain 5.5 mm (3) |
| 21. | M-545020-S | Screw, hex. flange M5x0.8x20 |
| 22. | 24-090-05-S | Lever, choke |
| 23. | 41-468-03-S | Washer, spring 1/4" |
| 24. | M-403025-S | Screw, hex. cap M4x0.7x25 |
| 25. | 24-079-22-S | Linkage, choke |
| 26. | 24-089-55-S | Spring, throttle limiter |
| 27. | 24-089-25-S | Spring, governor |

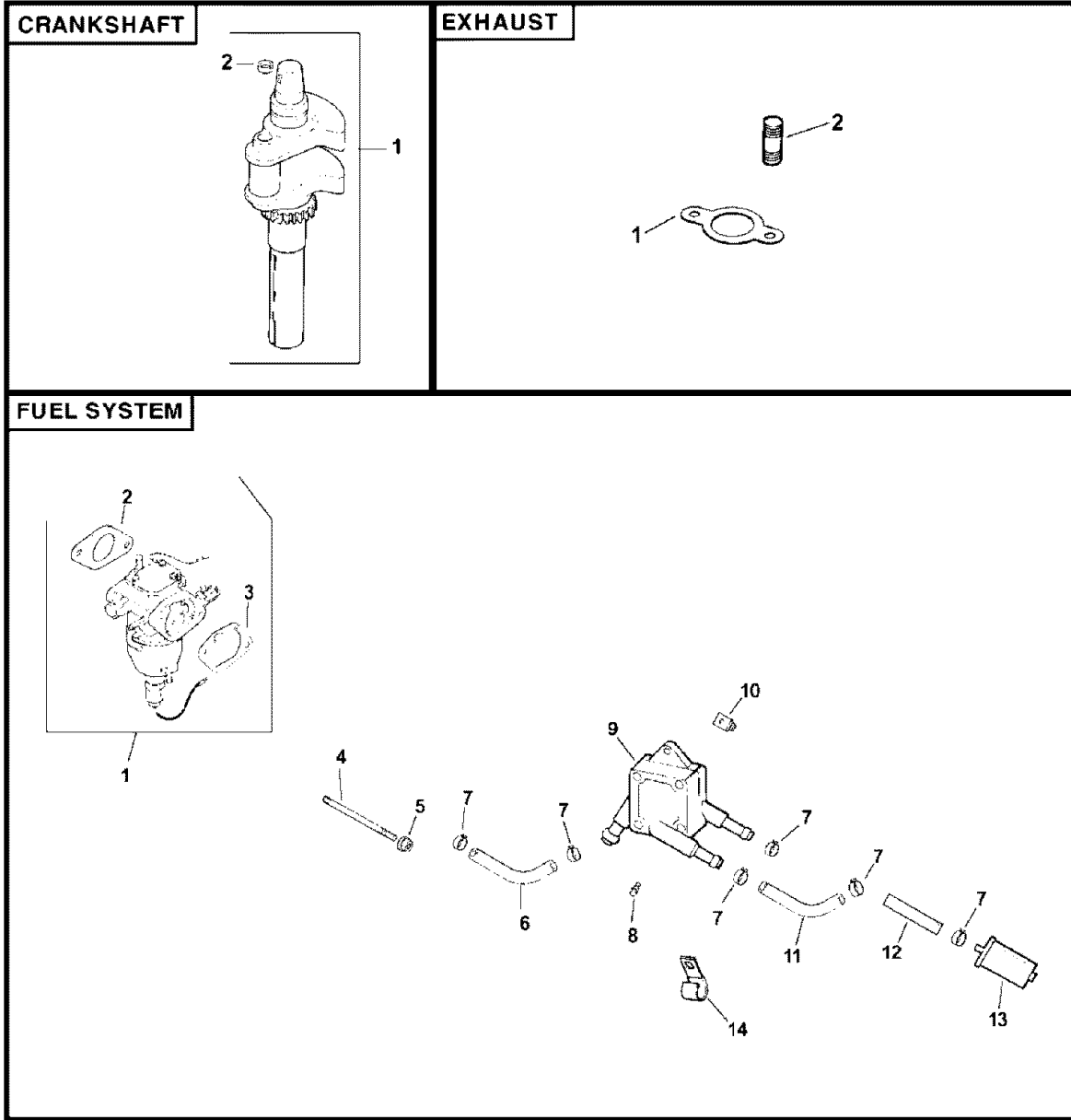
OIL PAN/LUBRICATION

| KEY NO. | PART NO. | DESCRIPTION |
|---------|-------------|---------------------------------------|
| 1. | 24-199-07-S | Pan assembly, oil (Includes 2-11) |
| 2. | 24-393-37-S | Oil pump assembly (Includes 3,4) |
| 3. | 24-381-11-S | Tube, oil pickup |
| 4. | 24 153 01-S | O-Ring, oil pump |
| 5. | M-631005-S | Washer, plain 6 mm (2) |
| 6. | M-645025-S | Screw, hex. flange M6x1.0x25 (2) |
| 7. | 24-162-26-S | Screen, oil |
| 8. | 24-043-12-S | Kit, governor gear w/pin (Includes 9) |
| 9. | 12-380-01-S | Pin, governor regulating |
| 10. | 24-448-01-S | Tab, locking |
| 11. | 12-144-02-S | Shaft, governor gear |
| 12. | 24-153-08-S | O-Ring |
| 13. | 25-139-62-S | Plug, hex. ctsk. 3/8" |
| 14. | 24-136-01-S | Nipple, oil filter |
| 15. | 52-050-02-S | Filter, oil |
| 16. | 52-032-08-S | Seal, oil (PTO end) |
| 17. | 24-086-17-S | Screw, hex. flange M8x1.25x45 |
| 18. | 24-086-16-S | Screw, hex. flange M8x1.25x45 (9) |
| 19. | 25-139-57-S | Plug, sq. hd. solid 3/8" N.P.T.F. |

NOTE: All component dimensions given in U.S. inches 1 inch = 25.4 mm



TRACTOR -- MODEL NUMBER 917.276240
KOHLER ENGINE-MODEL NUMBER CV730, TYPE NUMBER 0029



**TRACTOR -- MODEL NUMBER 917.276240
 KOHLER ENGINE-MODEL NUMBER CV730, TYPE NUMBER 0029**

CRANKSHAFT

| KEY NO. | PART NO. | DESCRIPTION |
|---------|-------------|-------------------------|
| 1. | 24-014-72-S | Crankshaft (Includes 2) |
| 2. | 52-139-09-S | Plug, cup |

EXHAUST

| KEY NO. | PART NO. | DESCRIPTION |
|---------|--------------|----------------------|
| 1. | 24-041-49-S | Gasket, exhaust (2) |
| 2. | 25-072-04-S | Stud, M8x1.25x33 (4) |
| -- | 24-522-332 | Short Block |
| -- | 24-782-23 | Miniblock |
| -- | 24-755-113-S | Gasket Set |

FUEL SYSTEM

| KEY NO. | PART NO. | DESCRIPTION |
|---------|-------------|--|
| 1. | 24-853-90-S | Kit, carburetor w/gaskets (Includes 2,3) |
| 2. | 24-041-52-S | Gasket, carburetor |
| 3. | 24 041 14-S | Gasket, air cleaner base |
| 4. | M-629095-S | Stud, M6x1.0x95 (2) |
| 5. | M-641060-S | Nut, hex. flange M6x1.0 (2) |
| 6. | 25-353-03-S | Line, fuel 14" |
| 7. | 25-237-14-S | Clamp, hose (6) |
| 8. | 24-086-12-S | Screw, hex. cap. M6x1.7x18 (2) |
| 9. | 24-393-16-S | Pump, fuel - pulse |
| 10. | 24-100-01-S | Nut, plastic (2) |
| 11. | 24-353-03-S | Line, fuel 10-5/8" |
| 12. | 15-353-04-S | Line, fuel 11-1/2" |
| 13. | 24-050-10-S | Filter, fuel |
| 14. | 47-154-01-S | Clip, cable |

NOT ILLUSTRATED

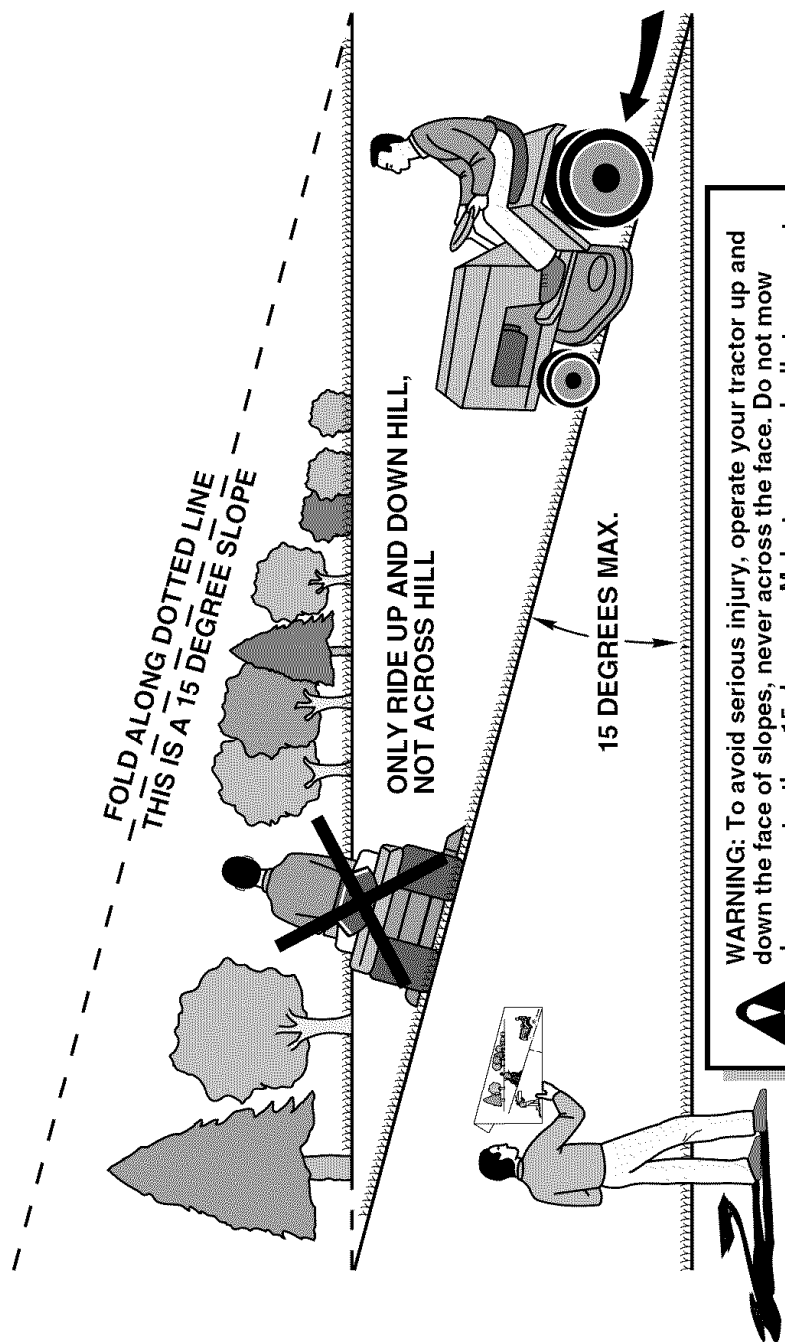
| | | |
|----|-------------|------------------------------|
| -- | 24 234 02-S | Bowl, float |
| -- | 24 757 18-S | Kit, overhaul |
| -- | 24 757 19-S | Kit, choke repair |
| -- | 24 757 20-S | Kit, gasket |
| -- | 24 757 21-S | Kit, accelerator pump repair |
| -- | 24 757 22-S | Kit, fuel shutdown solenoid |

NOTE: All component dimensions given in U.S. inches 1 inch = 25.4 mm



SERVICE NOTES

SUGGESTED GUIDE FOR SIGHTING SLOPES FOR SAFE OPERATION



Get it fixed, at your home or ours!

Your Home

For repair – **in your home** – of **all** major brand appliances, lawn and garden equipment, or heating and cooling systems, **no matter who made it, no matter who sold it!**

For the replacement parts, accessories and owner's manuals that you need to do-it-yourself.

For Sears professional installation of home appliances and items like garage door openers and water heaters.

1-800-4-MY-HOME[®] Anytime, day or night
(1-800-469-4663) (U.S.A. and Canada)
www.sears.com www.sears.ca

Our Home

For repair of carry-in products like vacuums, lawn equipment, and electronics, call or go on-line for the nearest **Sears Parts and Repair Center.**

1-800-488-1222 Anytime, day or night (U.S.A. only)
www.sears.com

To purchase a protection agreement (U.S.A.) or maintenance agreement (Canada) on a product serviced by Sears:

1-800-827-6655 (U.S.A.) **1-800-361-6665** (Canada)

Para pedir servicio de reparación a domicilio, y para ordenar piezas:

1-888-SU-HOGARSM
(1-888-784-6427)

Au Canada pour service en français:

1-800-LE-FOYER^{MC}
(1-800-533-6937)
www.sears.ca

SEARS

© Sears, Roebuck and Co.

® Registered Trademark / TM Trademark / SM Service Mark of Sears, Roebuck and Co.

® Marca Registrada / TM Marca de Fábrica / SM Marca de Servicio de Sears, Roebuck and Co.

^{MC} Marque de commerce / ^{MD} Marque déposée de Sears, Roebuck and Co.