



INSTALLATION INSTRUCTIONS

CLASSIC WALL OVENS

FOR MODELS: ECD227, ECD230, ECS127, ECS130, ECS136, ECS227, ECS230,
MCD227, MCD230, MCS127, MCS130, MCS227, MCS230, PCD230,
PCS130, PCS230

TABLE OF CONTENTS

Appliance Safety	1	Installation Instructions	6-9
Important Safety Instructions	2	Removing The Oven Doors.....	6
Design Specifications	3-4	Turning Off The Power Supply	7
Product Dimensions.....	3-4	Electrical Connection	7
Installation Specifications	5	Grounding Instructions.....	7-8
Verifying Package Contents.....	5	Mounting The Oven	8
Installation Planning.....	5	Installing The Exhaust Grill.....	9
Installing The Support Platform in the Cabinet.....	5	Reinstalling The Oven Doors.....	9
Electrical Power Supply Requirements	5	Verifying Oven Operation.....	9
		Service Information	10

APPLIANCE SAFETY

What You Need to Know About Safety Instructions

Warning and Important Safety Instructions appearing in this guide are not meant to cover all possible conditions and situations that may occur. Common sense, caution and care must be exercised when installing, maintaining or operating appliance.

Always contact Dacor® about problems or conditions you do not understand.

Safety Symbols, Words, Labels

DANGER

DANGER – Immediate hazards which WILL result in severe personal injury or death.

WARNING

WARNING – Hazards or unsafe practices which COULD result in severe personal injury or death.

CAUTION

CAUTION – Hazards or unsafe practices which COULD result in minor personal injury or property damage.

INSTALLATION RECOMMENDATIONS

The importance of the installation of the Dacor appliance cannot be overemphasized. Installation should be done by a qualified installer.

Before you begin the installation process, it is recommended that you read this entire installation instruction manual. There are key details that you should take special care to observe during the installation. By reading these instructions carefully, you will make the installation process easier, problem-free and, most importantly, safe.

Any questions or problems with the installation should be directed to your Dacor dealer or the Dacor Customer Service Team at (800) 793-0093. You can also visit our web site at www.Dacor.com.

READ AND SAVE THESE INSTRUCTIONS

Specifications contained within are subject to change without notice.
DACOR assumes no liability for changes to specifications.

IMPORTANT SAFETY INSTRUCTIONS

WARNING

To reduce the risk of burns, electric shock, fire or injury to persons:

1. Read all instructions before using the appliance.
2. This appliance must be grounded. Connect only to a properly grounded electrical supply. See "Grounding Instructions" on pages 4-5.
3. Install or locate this appliance only in accordance with these installation instructions
4. Use this appliance only for its intended use as described in this manual. Do not use corrosive chemicals or vapors in this appliance. This type of oven is specifically designed to heat and cook dry food. It is not designed for industrial or laboratory use.
5. As with any appliance, close supervision is necessary when used by children.
6. Do not operate this appliance if it has a damaged electrical connection, if it is not working properly or if it has been damaged or dropped.
7. This appliance should be serviced only by qualified service personnel. Contact the nearest Dacor Authorized Servicer at (800) 793-0093. or at www.Dacor.com for examination, repair or adjustment.
8. Do not cover or block any openings on the appliance.
9. Do not store or use this appliance outdoors. Do not use this product near water – for example, near a kitchen sink, in a wet basement or near a swimming pool, etc.
10. Do not immerse the electrical conduit in water.
11. Keep the electrical conduit away from heated surfaces.

NOTES:

1. Some products, such as whole eggs, and sealed containers such as closed glass jars may explode and should not be heated in this oven.
2. To reduce the risk of fire in the oven cavity: Do not overcook food. Carefully attend the appliance if paper, plastic or other combustible materials are placed inside the oven to facilitate cooking.
3. If materials inside the oven should ignite, keep the oven door closed, turn the oven off and shut off the power at the fuse or the circuit breaker panel.

WARNING

WARNING – NEVER use this appliance as a space heater to heat or warm a room. Doing so may result in carbon monoxide poisoning and overheating of the appliance.

DESIGN SPECIFICATIONS

PRODUCT DIMENSIONS

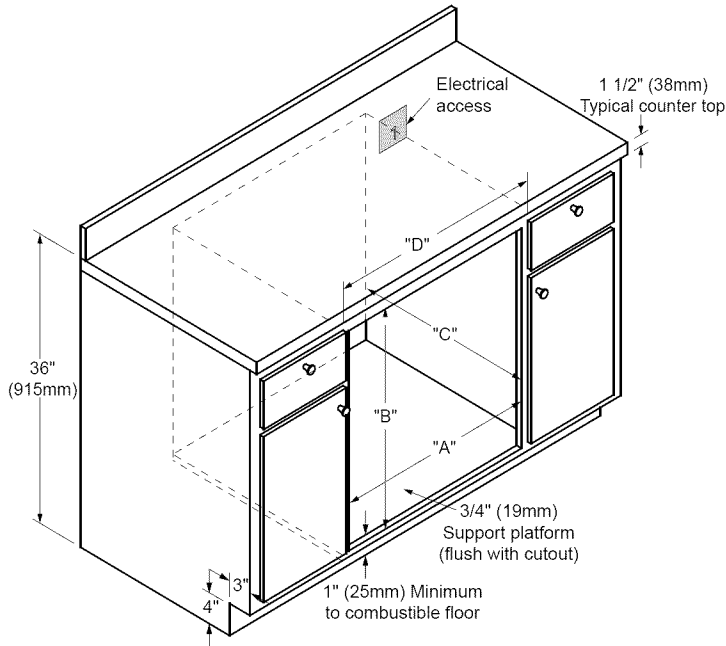
NOTE:

All dimensional tolerances are + 1/16", - 0" unless otherwise stated.

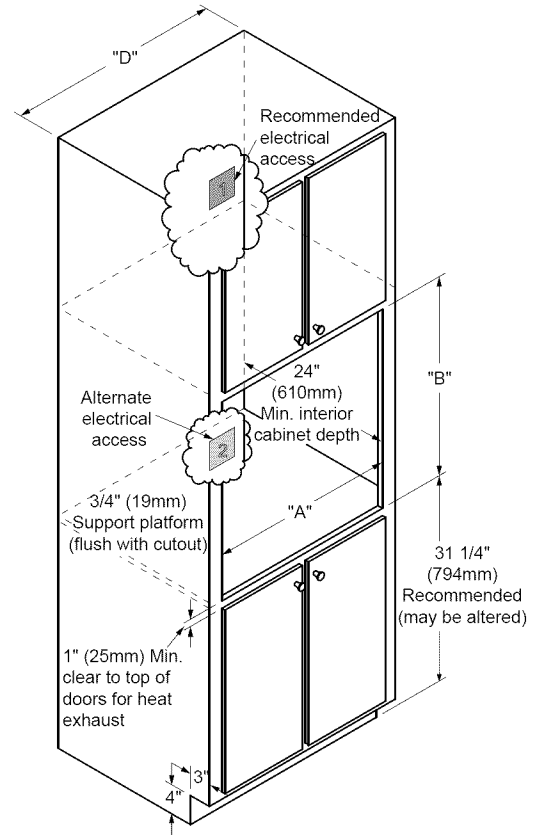
NOTE:

Electrical junction box may be located:

1. Above the oven cutout, to the right.
2. Below the oven platform, to the right.

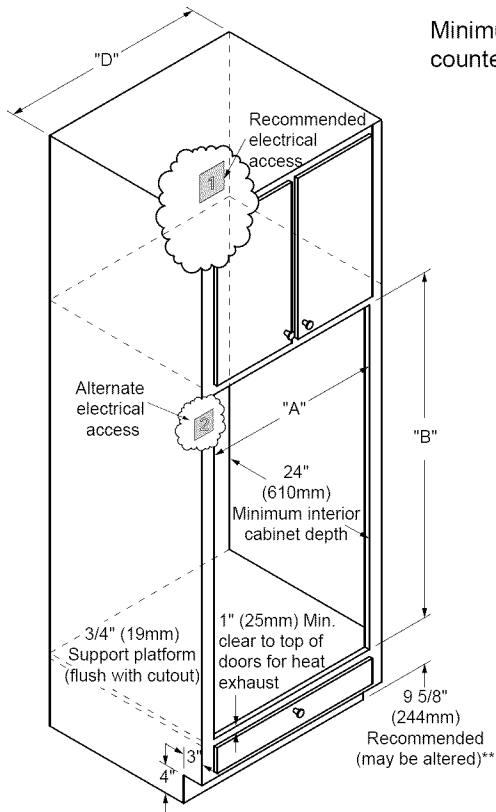


Single Wall Oven Installed under-counter
Cutout Dimensions



Single Wall Oven
Cutout Dimensions

Minimum distance from bottom of countertop to top of cutout: 1 1/8" (29mm)



Double Wall Oven
Cutout Dimensions

ModelNumber	Cutout Width "A"	Cutout Height "B"	Min. Cabinet Overall Depth "C"	Min. Cabinet Width "D"
ECS127	25 1/2" (648mm)	27 1/2" (699mm)	24" (610mm)	27" (686mm)
MCS127				30" (762mm)
ECS130	28 1/2" (724mm)	27 3/4" (705mm)	24" (610mm)	36" (914mm)
MCS130				30" (762mm)
ECS136	34 1/2" (876mm)	27 3/4" (705mm)	24" (610mm)	36" (914mm)
ECS227	25 1/2" (648mm)	49 1/16" (1246mm)	24" (610mm)	27" (686mm)
MCS227				30" (762mm)
ECD227				30" (762mm)
MCD227				30" (762mm)
ECS230	28 1/2" (724mm)	49 1/16" (1246mm)	24" (610mm)	30" (762mm)
PCS230				30" (762mm)
MCS230				30" (762mm)
ECD230				30" (762mm)
PCD230				30" (762mm)
MCD230				30" (762mm)

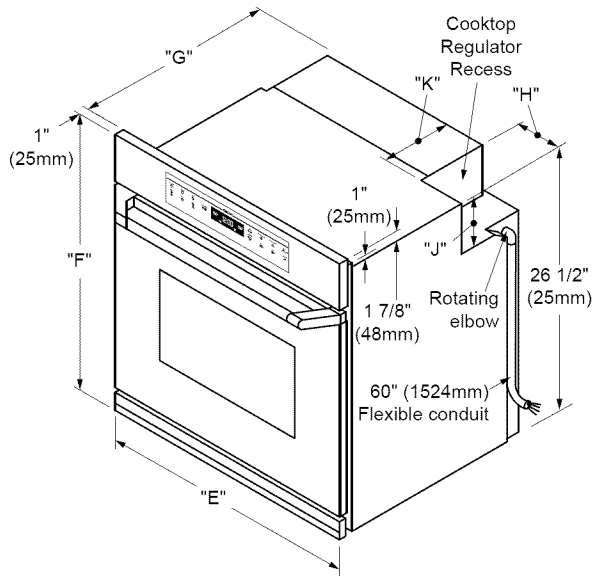
Cutout Dimensions

DESIGN SPECIFICATIONS

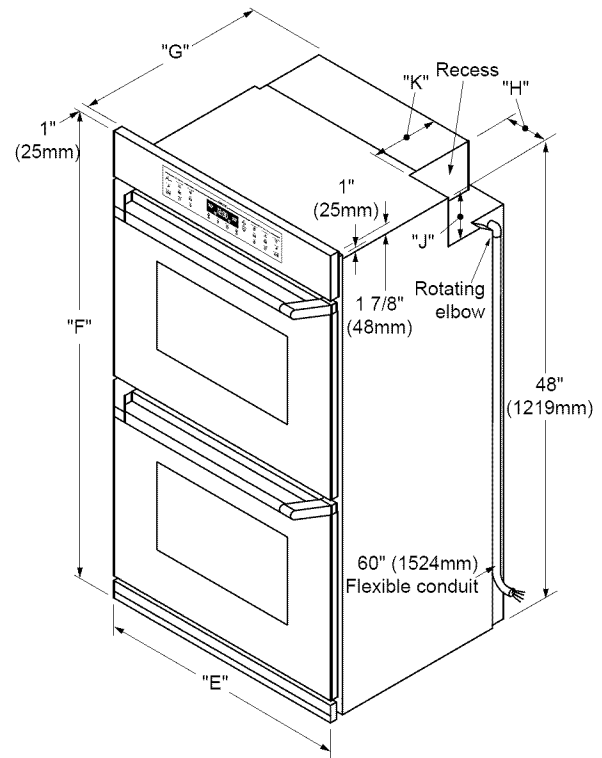
PRODUCT DIMENSIONS

Dacor® Model Number	Overall Width "E"	Overall Height "F"	Chassis Depth "G"	Recess Width "H"	Recess Height "J"	Recess Depth "K"	
ECS127	27" (686mm)	28 3/8" (721mm)	23 7/8"	5" (127mm)	5 1/4" (133mm)	8" (203mm)	
MCS127				6 1/4" (159mm)			
ECS130	30" (762mm)						
PCS130							
MCS130							
ECS136							36" (914mm)
ECS227	27" (686mm)	49 7/8" (1268mm)		5" (127mm)			
MCS227				6 1/4" (159mm)			
ECD227							
MCD227							
ECS230	30" (762mm)	49 7/8" (1268mm)		23 7/8"	6 1/4" (159mm)	5 1/4" (133mm)	8" (203mm)
PCS230							
MCS230							
ECD230							
PCD230							
MCD230							

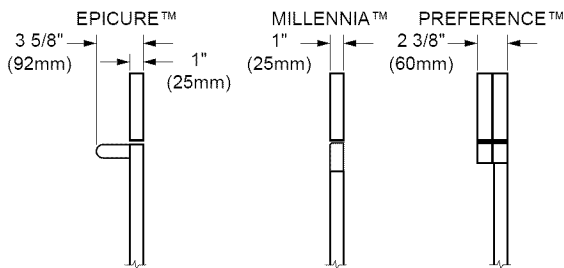
Overall Dimensions



Single Wall Oven
Overall Dimensions
(Epicure Shown)



Double Wall Oven
Overall Dimensions
(Epicure Shown)



Side View -
Handle Projections

INSTALLATION SPECIFICATIONS

VERIFYING THE PACKAGE CONTENTS

Verify that all required components have been provided. If any item is missing or damaged, please contact your dealer immediately. Do not install a damaged or incomplete appliance.

- Mounting Screws
- Use and Care Videotape
- Oven Racks
- Broiler Grill and Pan
- Exhaust Grill/Lower Trim
- Rear Top Trim
- GlideRack™ Oven Rack
- Light Lens Pry Stick

INSTALLATION PLANNING

A qualified technician must complete the installation of this built-in appliance. Proper installation is your responsibility.

Carefully check the location where the oven is to be installed. The oven should be placed for convenient access. Make certain that electrical power can be provided in the selected location.

Plan the installation so that all minimum clearances are met or exceeded. Dimensions shown provide minimum clearances, unless otherwise noted. Be certain that proper clearance is provided for the oven door when it is in the open position. The specified minimum cabinet depth and width must be provided. The cabinet depth and width must completely enclose the recessed portion of the oven.

Cabinet cutout dimensions must be used as indicated. All contact surfaces between the appliance and the cabinet must be solid and level. The oven support platform must be flush with the bottom edge of the cabinet cutout.

Make certain that you have everything necessary to ensure a proper installation before proceeding.

INSTALLING THE SUPPORT PLATFORM IN THE CABINET

Provide a platform within the cabinet upon which the oven will be supported. The platform must be installed level and straight. The top edge of the platform must be flush with the cutout at the front of the cabinet. There are no provisions to level the oven after it has been installed. 3/4" (19mm) thick plywood is recommended.

NOTE:

An oven that is not level may provide poor or inconsistent baking results.

ELECTRICAL POWER SUPPLY

REQUIREMENTS

It is the owner's responsibility to ensure that a qualified electrician performs the electrical connection of this appliance. The electrical installation, including minimum supply wire size, must comply with the National Electric Code ANSI/NFPA 70-1990* (or to the latest revision) and local codes and ordinances.

*A copy of this standard may be obtained from:
National Fire Protection Association
1 Batterymarch Park
Quincy, Massachusetts 02269-9101

The correct voltage, frequency, and amperage must be supplied to the appliance from a separate, grounded, single phase circuit that is protected by a properly sized circuit breaker or time-delay fuse. If a time-delay fuse is utilized, fuse both sides of the line (L1 and L2).

The required voltage, frequency and amperage ratings are listed on the product data plate (located inside the intake grill to the left of the door latch) and in the Table below.

The correct voltage, frequency, and amperage must be supplied to the appliance from a separate, grounded, single phase circuit that is protected by a properly sized circuit breaker or time-delay fuse. If a time-delay fuse is utilized, fuse both sides of the line (L1 and L2).

The required voltage, frequency and amperage ratings are listed on the product name plate (located inside the intake grill to the left of the door latch) and in the Table below.

⚠ WARNING

WARNING – If the electrical service provided does not meet the product specifications, do not proceed with the installation. Call a licensed electrician to correct.

NOTES:

1. **Preheat times and cavity temperature recovery times will be increased slightly if operating on a 120/208 volt power supply.**
2. **208V models should not be connected to 240V source power.**
3. **Power supply must be an isolated circuit.**

INSTALLATION INSTRUCTIONS

Dacor Model Number	Max. 208V Connected Load	Max. 240V Connected Load	Power Supply
ECS127	25 Amps (5.2kW)	22 Amps (5.2kW)	208/240V 4-wire 60Hz, 30A
MCS127			
ECS130			
PCS130			
MCS130			
ECS136	n/a	29 Amps (7.0kW)	208/240V, 4-wire, 60Hz, 40A
ECS227	39 Amps (8.1kW)	34 Amps (8.1kW)	
MCS227			
ECD227			
MCD227			
ECS230			
PCS230			
MCS230			
ECD230			
PCD230			
MCD230			

NOTE:

The four (4) leads supplied with this appliance are UL recognized for connection to larger gauge household wiring. The insulation of these leads is rated at temperatures much higher than the temperature rating of household wiring. The current-carrying capacity of the conductor is governed by the temperature rating of the insulation around the wire, rather than the wire gauge alone.

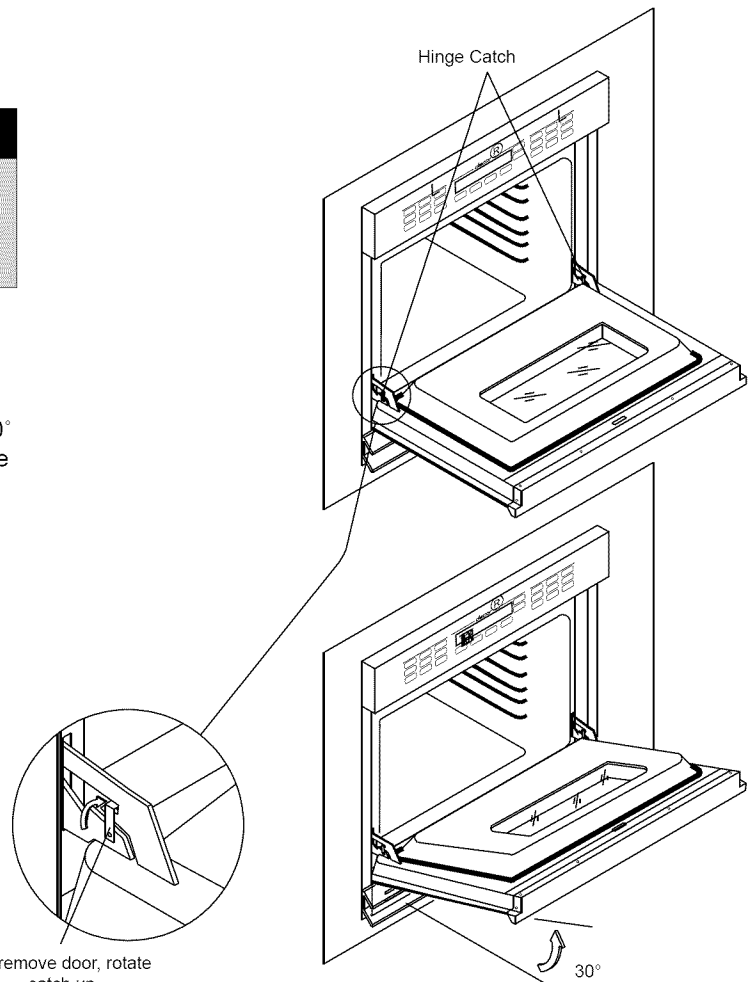
Electrical Requirements

REMOVING THE OVEN DOORS

⚠ WARNING

1. Do not attempt to disengage the hinge catches with the door removed from the oven. The hinge springs could release, causing personal injury.
2. Do not lift or carry oven door by the door handle

Due to the weight of this appliance, removing the door(s) will significantly reduce the lifting load, while also providing the installer with a place to grip the oven when lifting it into place. Open the door to its fully opened position. Rotate the catch over the retaining arm on each hinge. Lift the oven door to about a 30° angle from the horizontal. Pull the door away from the oven while continuing to lift.



Door Removal

Lift door up to 30° angle, then pull the door away from the oven.



INSTALLATION INSTRUCTIONS

TURNING OFF THE POWER SUPPLY

Before attempting to connect the appliance to power, turn off the electrical power supply. Also, always turn off electrical power to the appliance prior to servicing it.

⚠ WARNING

WARNING – Failure to disconnect power may result in electrical shock or fire hazard.

ELECTRICAL CONNECTION

⚠ WARNING

1. This appliance must be connected to a grounded, metallic, permanent wiring system. Alternatively, a grounding conductor should be connected to the grounding terminal or lead on the appliance. Failure to do so may result in an electrical shock hazard.
2. Do not install a fuse in the neutral or ground circuit. A fuse in the neutral or ground circuit may result in an electrical shock hazard.

GROUNDING INSTRUCTIONS

The appliance must be connected to the power supply with copper wire only. The use of aluminum wire may result in unsatisfactory connections. Flexible armored or non-metallic, sheathed copper cable (with grounding wire) should be used to connect the appliance to the junction box. A UL-listed connector must be used to directly connect the cable to the junction box.

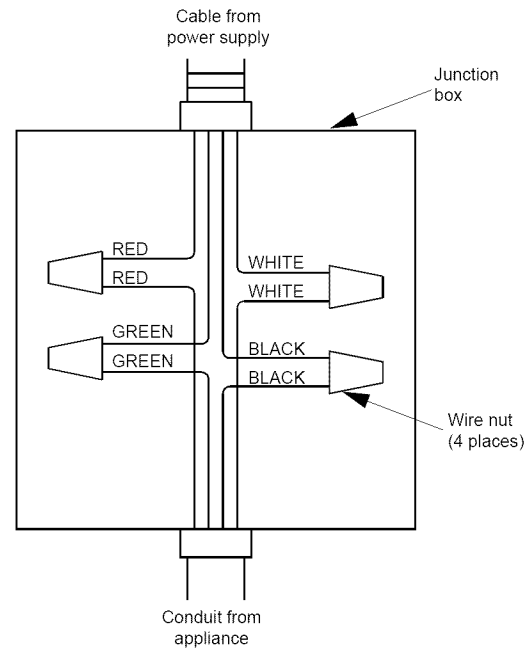
Be certain to locate the junction box such that the electrical supply may be easily disconnected in the event that service becomes necessary. Also, provide extra slack in the cable to allow the oven to slide forward for servicing.

This appliance must be electrically grounded.

With the oven positioned directly in front of the cabinet cutout, feed the appliance conduit to the electrical junction box. Then, depending upon local codes, utilize one of the following techniques to connect the appliance to the electrical power supply:

A. Connecting to a Four-Wire Electrical System

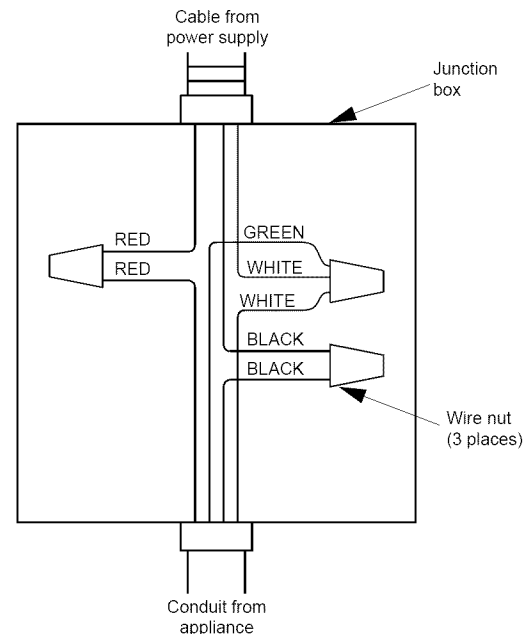
1. Separate the green and white appliance wires.
2. Connect the white appliance wire to the neutral (white) supply wire in the junction box.
3. Connect the black appliance wire to the black (L1) power supply wire in the junction box.
4. Connect the red appliance wire to the red (L2) power supply wire in the junction box.
5. Connect the green appliance wire to the green house grounding wire



Connecting the Appliance to a Four-Wire Power Supply

⚠ WARNING

WARNING – Do not connect the green appliance wire to the neutral (white) junction box wire unless local building codes permit.



Connecting the Appliance Ground to Supply Neutral

B. Connecting the Green Appliance Wire to the Neutral (White) Supply Wire – Where Local Codes Permit

1. Connect the green and white appliance wires to the neutral (white) supply wire in the junction box.
2. Connect the black appliance wire to the black (L1) power supply wire in the junction box.
3. Connect the red appliance wire to the black (L2) power supply wire in the junction box.

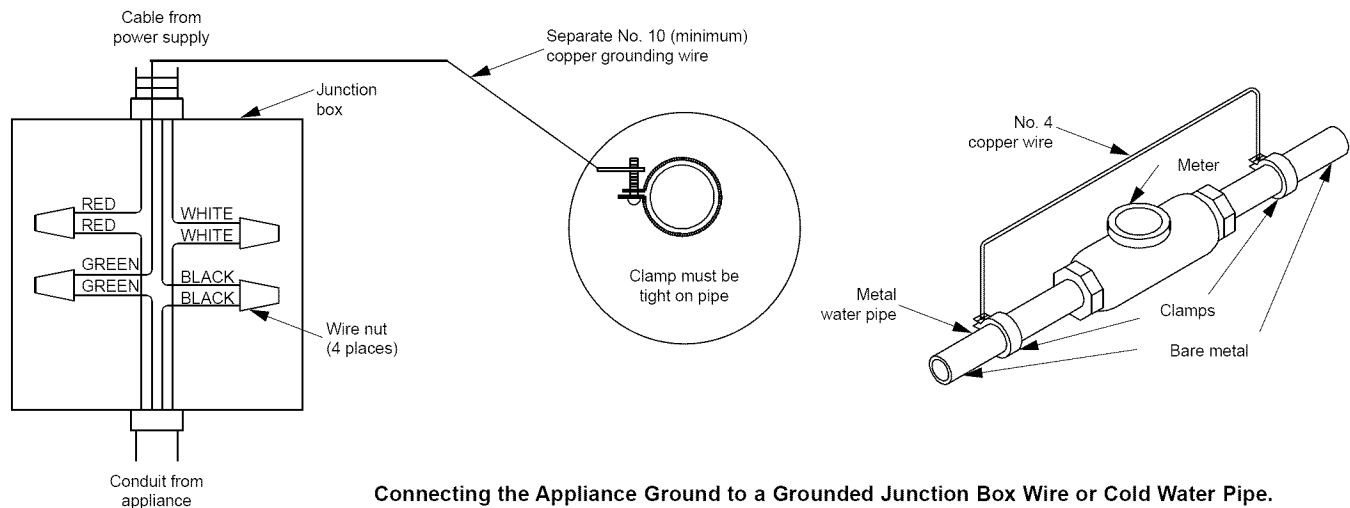
INSTALLATION INSTRUCTIONS

C. Connecting the Green Appliance Wire to a Grounded Junction Box Wire or Grounded Cold Water Pipe – Where Local Codes Permit

1. Separate the green and white appliance wires.
2. Connect the black appliance wire to the black (L1) power supply wire in the junction box.
3. Connect the red appliance wire to the black (L2) power supply wire in the junction box.
4. Connect the red appliance wire to the red (L2) power supply wire in the junction box.
5. Connect the green appliance wire to a grounded wire in the junction box or to a grounded cold water pipe.
6. If connecting to a grounded cold water pipe, a separate copper grounding wire (No. 10 minimum) must be connected to a grounded cold water pipe by means of a clamp and then to an external grounding connector screw.

⚠ WARNINGS

1. Do not ground the appliance to a gas supply pipe or hot water pipe.
2. Do not turn on power to the appliance until the oven is permanently grounded.
3. Grounded cold water pipe must have metal continuity to electrically ground and must not be interrupted by insulating materials. Any insulating materials must be jumped as shown below with a length of No. 4 copper wire securely clamped to bare metal at both ends.



Connecting the Appliance Ground to a Grounded Junction Box Wire or Cold Water Pipe.

MOUNTING THE OVEN

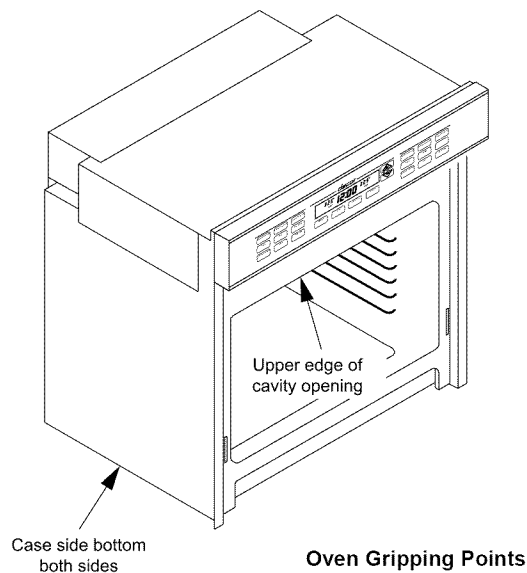
⚠ WARNING

1. Failure to install the mounting screws may result in movement or tipping of the oven during use and personal injury.
2. Do not block the oven air exhaust located at the bottom of the oven. Blocking the intake may cause cabinet damage and poor baking performance.

Lift the wall oven up to the cabinet cutout, using the upper edge of the cavity opening and the bottom of the oven case side as gripping points. Use extreme caution when lifting the appliance as it is heavy. Be certain to take all necessary safety precautions.

Resting the oven on the cabinet-mounting platform, slide the oven into the recessed area until the rear edge of the oven frame is flush with the cabinet face and the oven is centered within the cutout. Ensure that the electrical conduit slides through the opening in the cabinet platform or coils above the oven chassis as the oven is slid into place. The cable must be placed into the recessed area located along the rear vertical edge of the oven or coiled above the oven chassis. Do not trap the appliance cable between the oven case back and the rear wall.

For the single ovens and the upper cavity of the double ovens, locate the mounting holes found in the sides of the oven frame. Using a 1/16" drill, drill four pilot holes for the #6 x 3/4" screws provided in the instruction envelope. Install the screws through the oven frame and into the cabinet to secure the oven. Do not over-tighten the screws. Repeat the mounting procedure for the lower cavity if installing a double oven.



Oven Gripping Points

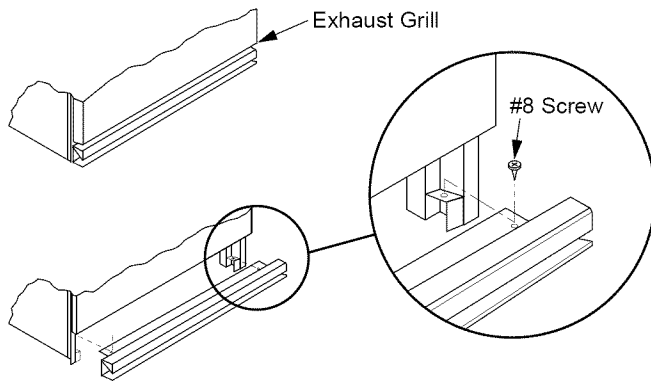
INSTALLATION INSTRUCTIONS

INSTALLING THE EXHAUST GRILL

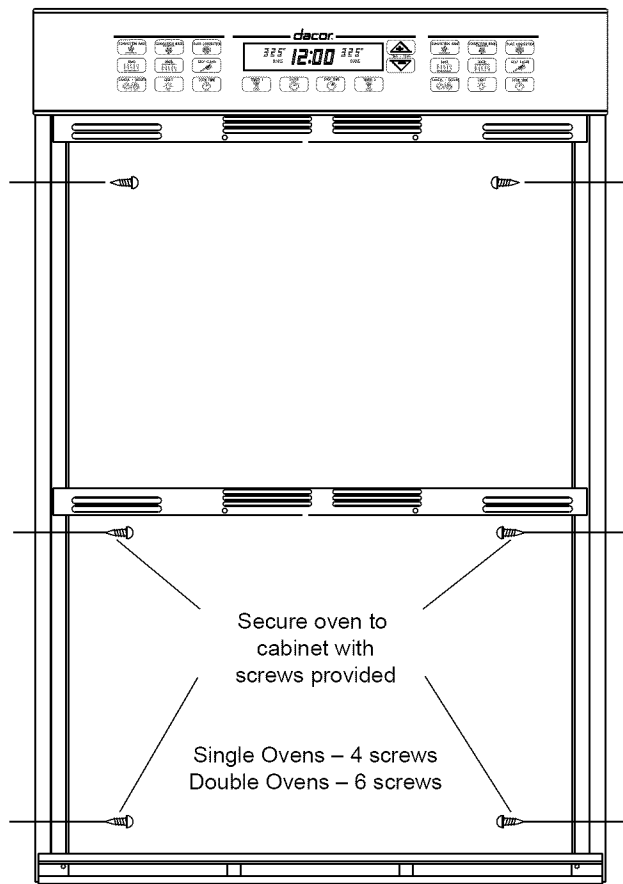
With the oven now secured to the cabinet, install the Exhaust Grill by mounting it to the oven with the two screws provided.

NOTE:

You may need to loosen the side mounting screws a little to align the Exhaust Grill mounting holes. Tighten the side mounting screws after attaching the Exhaust Grill.



Attaching the Exhaust Grill



Installing the Cabinet Mounting Screws

REINSTALLING THE OVEN DOORS

⚠ WARNING

WARNING – Failure to fully rotate the hinge catches will cause them to bend when the door is closed. This will make closing the door impossible.

Grasp the oven door on opposite sides and lift it until the door hinges are aligned with the openings in the oven frame. Holding the door at about a 30° angle from the horizontal, slide the hinges into the openings until the bottom hinge arms drop fully into the hinge receptacles. Lower the door to the fully opened position, and then rotate the two hinge catches toward the oven. Open and close the door completely to ensure that it is properly installed. For double ovens, complete Verifying Oven Operation for both the upper and lower doors.

For stainless steel ovens, peel off the protective layer of plastic that covers the door panel.

VERIFYING OVEN OPERATION

Verifying Oven Operation

Slide the oven racks onto the support racks within the cavity. Place the broiler pan and tray on a rack within the oven, if desired.

Turn on the power supply to the oven. Set the time of day by pressing the Clock touch pad then pressing the TIME•TEMP key.

Press the BAKE selector pad for the upper oven or single oven. Select a temperature of 350°F by pressing the TIME•TEMP “+” key. The oven should now be heating. After approximately three (3) minutes, the lower heating element should glow red. Press the CANCEL•SECURE pad to stop the oven heating process. It may take longer than three (3) minutes when ovens are running at voltages lower than 240V. If checking the operation of the double oven, repeat the bake test for the lower oven.

Press the BROIL selector pad for the upper oven or single oven. Select a temperature of 350°F by pressing the TIME•TEMP “+” key. The oven should now be heating. After approximately three (3) minutes, the upper heating element should glow red. Press the CANCEL•SECURE pad to stop the oven heating process. It may take longer than three (3) minutes when ovens are running at voltages lower than 240V. If checking the operation of the double oven, repeat the broil test for the lower oven.

⚠ WARNING

WARNING – If the oven does not operate properly, follow these troubleshooting steps:

1. Verify that power is being supplied to the oven.
2. Check the electrical connections to ensure that the installation has been completed correctly.
3. Repeat the above bake test.
4. If the appliance still does not work, contact an authorized Dacor service company. If you are unable to locate a Dacor Servicer, please contact Dacor at (800) 793-0093, or visit us on the web at www.Dacor.com. Do not attempt to repair the appliance yourself. Dacor is not responsible for service required to correct a faulty installation.

SERVICE INFORMATION

If you need service, be sure to have the model and serial numbers available when you call.

Contact a Dacor authorized servicer, a Dacor dealer or the Dacor Customer Service Team at (800) 793-0093.

NOTES

NOTES

NOTES

