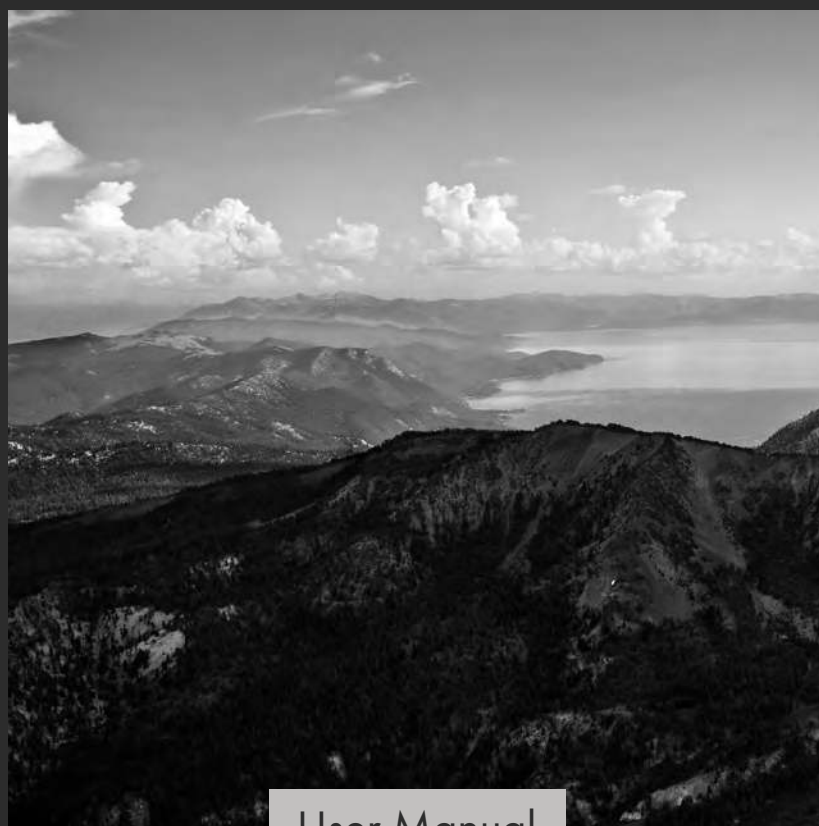


ZLINE

ATTAINABLE LUXURY[®]



User Manual

TALLAC DISHWASHERS DWV MODELS

zlinekitchen.com



ZLINE Kitchen and Bath provides Attainable Luxury, where the kitchen and bath of your dreams is never out of reach. Through our unique designs and unparalleled quality, we're dedicated to providing you an elevated experience in the heart of your home. With an endless selection of features and finishes, our inspiration is your reality.

ZLINE
ATTAINABLE LUXURY®



ZLINE is fueled by a passion for innovation; A relentless pursuit of bringing the highest end luxury designs and professional features into everyone's homes.

Because we continually strive to improve our products, we may change specifications and designs without prior notice.

Scan the QR code to view the most up-to-date version of the Installation Manual and User Manual.

⚠ WARNING: This product can expose you to chemicals including Diisononyl phthalate (DINP) which is known to the State of California to cause cancer. For more information go to www.P65Warnings.ca.gov.

TABLE OF CONTENTS

IMPORTANT SAFETY INSTRUCTIONS.....	1
OPERATION	6
Controls and Specifications - DWV-18 Models	6
Controls and Specifications - DWV-24 Models	7
Before Using the Appliance.	8
Detergent Usage.	10
Loading the Dishwasher.	15
Program Selection	29
MAINTENANCE AND CLEANING.....	37
TROUBLESHOOTING.....	40
WARRANTY.....	43

IMPORTANT SAFETY INSTRUCTIONS



WARNING

If the information in this manual is not followed exactly, a fire or explosion may result causing property damage, personal injury, or death.

When using the dishwasher, carefully follow the precautions in this manual. These are provided in order to save time and effort and to help ensure optimum dishwasher performance. Be sure to observe all listed warnings and cautions. Look carefully at **WARNING** icons with an exclamation mark inside.

WARNING:



WARNING

Indicates a potentially hazardous situation which, if not avoided, could result in death or serious injury.

CAUTION:



CAUTION

Indicates a potentially hazardous situation which, if not avoided, may result in injury. It may also be used to alert against unsafe practices.

NOTICE:



NOTICE

Indicates a potentially hazardous situation which, if not avoided, may result in damage to the dishwasher, the tableware, the equipment, or the environment.

IMPORTANT SAFETY INSTRUCTIONS

Read these safety instructions completely before installation and operation and follow them carefully. Save these instructions and pass them on to any future user.



- In addition to these instructions, the dishwasher shall be installed in accordance with all local codes, or in absence of a local code:
 - In the United States, with the National Electric Code ANSI/NPA70-latest edition.
 - In Canada, with the Canadian Electric Code C22.1-latest edition/Provincial and Municipal codes and/or local codes.

When installing the dishwasher, follow basic precautions, including:

- Please check the standards and local codes for dishwasher placement.
- Installation and repair should be performed by a qualified installer, such as an insured licensed plumber or contractor. Installation performed by non-professionals could be dangerous and result in improper installation and property damage, which may void the warranty.
- The information in this user manual must be followed to minimize the risk of fire or explosion and to prevent property damage, personal injury, or loss of life.
- To reduce the risk of electric shock, fire, or injury, the installer must ensure that the dishwasher is completely enclosed at the time of installation.
- Never connect the ground wire to gas lines, hot water pipes, or plumbing lines.
- Only connect the dishwasher to the power supply when all installation and plumbing work is complete.
- Before installation or service, disconnect the power supply to the work area by unplugging the unit, “tripping” the circuit breaker, or removing the fuse.
- If the dishwasher is installed in a location that experiences freezing temperatures (e.g. in a vacation home, cabin, etc.), drain all the water from the unit's interior if not using the unit for extended periods. Water system ruptures that occur as a result of freezing are not covered by warranty.
- The dishwasher must be secured to adjacent cabinetry using the brackets provided. Failure to do this may cause damage to property or bodily injury.
- Ensure that any plastic wrappings, bags, small pieces, etc., are disposed of safely and kept out of the reach of children to prevent risk of suffocation or other serious injury.

IMPORTANT SAFETY INSTRUCTIONS

- Remove the door to the washing compartment when removing an old dishwasher from service or discarding it. Ensure that the appliance presents no danger to children while being stored for disposal.
- The dishwasher drain hose must be installed with a drain loop at least 30" (762 mm) off the cabinet floor or an appropriate air gap device. Otherwise, the dishwasher may not drain properly.
- This dishwasher is intended for residential use only and should not be used in commercial establishments. This appliance is not applicable for outdoor usage. The manufacturer disclaims responsibility for damage or injury caused by improper use of this appliance.
- Do not operate the appliance if it's damaged, malfunctioning, partially disassembled, or has missing or broken parts. If the unit arrives damage, contact ZLINE at 1-614-777-5004 for help.
- If the dishwasher is a new installation, please note that most of the work must be done before the dishwasher is moved into place.
- If the dishwasher is replacing another dishwasher, check the existing dishwasher connections for compatibility with the new dishwasher and replace parts as necessary.
- Use only detergents or wetting agents recommended for use in a dishwasher and keep them out of the reach of children.
- The manufacturer reserves the right to make changes to its products when considered necessary and useful, without affecting the essential safety and operating characteristics.
- Refer to the Installation Manual provided with your dishwasher for additional installation details and safety measures.
- The serial number information is located on the right-hand side of the inner door of the dishwasher.

Example serial number label:



IMPORTANT SAFETY INSTRUCTIONS

- When loading items into the dishwasher:
 - Locate sharp items so that they are not likely to damage the door seal.
 - Load sharp knives with the handles up to reduce the risk of cut-type injuries.
- Do not wash plastic items unless they are marked “dishwasher safe” or the equivalent. For plastic items not marked, check the manufacturer’s recommendations.
- Do not touch the heating element during or immediately after use.
- Do not operate the dishwasher unless all enclosure panels are properly in place.
- Do not tamper with controls.
- Do not abuse, sit on, or stand on the door or dish rack of the dishwasher.
- The cup racks are designed to support cups, glasses, and kitchen utensils. When the cup racks are in the dishwasher, do not lean on or use the cup racks to support your body weight.
- Some dishwasher detergents are strongly alkaline. They can be extremely dangerous if swallowed. Avoid contact with the skin and eyes and keep children away from the dishwasher when the door is open.
- Consult Poison Control or a doctor if detergent has been swallowed or inhaled.
- Do not remove dishes from the appliance until the program is complete. Some detergent may remain on the dishes.
- Check that the detergent dispenser is empty after the completion of each wash program.
- Do not drink and play with the water in the appliance. Harmful residues could be present.
- To reduce the risk of injury, do not allow children to play in or on the dishwasher.
- Do not leave the appliance with the open door unattended to avoid stepping accidentally onto it.
- Do not use high pressure water sprays and/or steam to clean the appliance.
- Ensure that there are no visible water leaks during and after the first use of the appliance.
- To avoid floor damage and possible mold growth, do not allow wet areas to remain around or under the dishwasher.

IMPORTANT SAFETY INSTRUCTIONS



CAUTION

To avoid risk of injury, always use caution when opening the door during or following a wash cycle, as hot water or steam may escape.

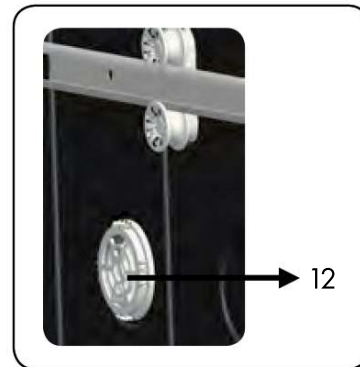
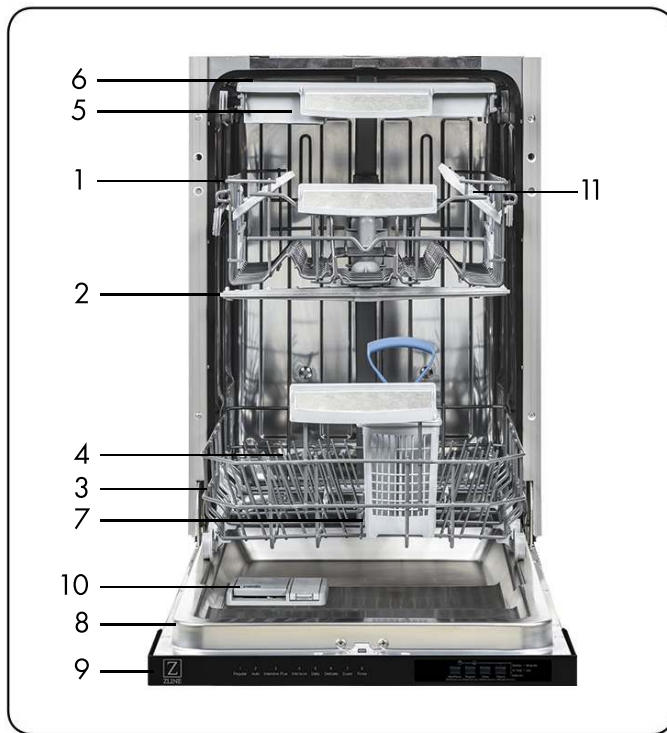
- Do not store or use flammable liquids or vapors in the immediate surrounding area of the dishwasher or on the appliance.
- Under certain conditions, hydrogen gas may be produced in a hot-water system that has not been used for two weeks or more. **HYDROGEN GAS IS EXPLOSIVE.** If the hot-water system has not been used for such a period, before using the dishwasher, turn on all hot-water faucets and let the water flow from each for several minutes. This will release any accumulated hydrogen gas. As the gas is flammable, do not smoke or use an open flame during this time.
- Please check the water supply line periodically. It is susceptible to breakage. It becomes less flexible as time goes by. Replace it immediately when it is torn, cut, swollen, or if there is water leakage.
- Please keep the dishwasher packaging out of the reach of children after unpacking it.

RECYCLING

- Old appliances may contain materials that can be recycled. Please contact the local recycling authority about the possibility of recycling these materials.
- Remove the door to the washing compartment when removing an old dishwasher from service or discarding it. Ensure that the appliance presents no danger to children while being stored for disposal. Before disposing the dishwasher:
 - Disconnect the appliance from the main supply.
 - Cut off the main cable and discard it.
 - Remove the door catch to prevent children and pets from getting trapped in the appliance.

OPERATION

CONTROLS AND SPECIFICATIONS - DWV-18 MODELS

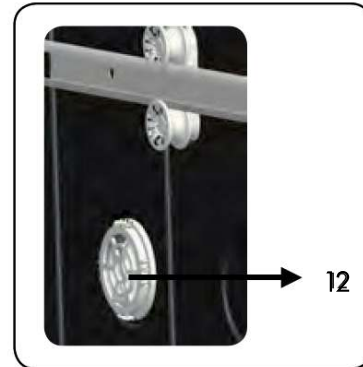
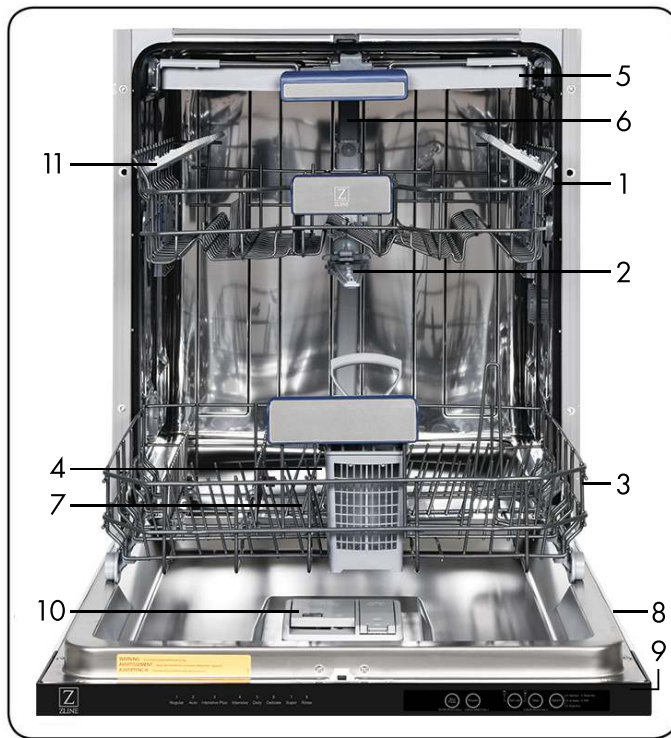


1. Upper Basket with Racks
2. Upper Spray Arm
3. Lower Basket
4. Lower Spray Arm
5. 3rd Basket
6. Top Nozzle
7. Filters
8. Rating Plate Location
9. Control Panel
10. Detergent and Rinse-Aid Dispenser
11. Upper Basket Track Latch
12. Drying Unit: This system provides better drying performance for the dishes

Load capacity	Up to 10 place settings
Permissible water pressure	43.5–145 psi (-0.3–10 bar)
Electrical connection	120 VAC/12 A/60 Hz
Total power	1400 watts
Heater power	1100 watts
Water consumption per cycle	3.2 gallons

OPERATION

CONTROLS AND SPECIFICATIONS - DWV-24 MODELS



1. Upper Basket with Racks
2. Upper Spray Arm
3. Lower Basket
4. Lower Spray Arm
5. 3rd Basket
6. Top Nozzle
7. Filters
8. Rating Plate Location
9. Control Panel
10. Detergent and Rinse-Aid Dispenser
11. Upper Basket Track Latch
12. Drying Unit: This system provides better drying performance for the dishes

Load capacity	Up to 15 place settings
Permissible water pressure	43.5– 145 psi (-0.3– 10 bar)
Electrical connection	120 VAC/ 12 A/60 Hz
Total power	1400 watts
Heater power	1100 watts
Water consumption per cycle	3.4 gallons

OPERATION

BEFORE USING THE APPLIANCE

PREPARING THE DISHWASHER FOR FIRST USE

- Make sure the electricity and supply water specifications match the values indicated in the installation instructions for the dishwasher.
- Open the door of the dishwasher.
- Remove all packaging material inside the dishwasher.
- Set the rinse-aid per load quantity.
- Fill the rinse-aid compartment.
- Place the dishes in accordance with the instructions in this manual.
- Put adequate amount of detergent into the detergent dispenser.
- Make sure that the upper and lower spray arms rotate freely.
- Select the wash program best suited to the soil level and type of dishes.
- Close the door of the dishwasher. Push the baskets in, then lift the door upwards and push until it clicks into position.



CAUTION

To prevent injuries, ensure that your hand is not jammed or crushed between the door and appliance.



WARNING

All functions are automatically interrupted if the door is opened while the appliance is running.



CAUTION

If the dishwasher door is opened immediately after a wash completes, hot steam will escape, potentially causing injury.

OPERATION

MAINTENANCE INFORMATION

1. If the dishwasher isn't going to be used for an extended amount of time:
 - Disconnect the plug and close the tap.
 - Leave the door slightly open to prevent odor formation.
2. Select the Dry option to reduce the amount of time to air dry residual water droplets.
3. Place dishes in the dishwasher properly to achieve the best energy consumption, washing, and drying performance. Please see the program and consumption table later in this manual for more information.
4. For the best results, rinse heavily soiled dishes prior to placing them in the dishwasher.
5. Only use the Rinse program when necessary.
6. Due to high temperatures generated by the dishwasher, do not install the dishwasher near a refrigerator.
7. If the dishwasher is located in an area that is at risk of freezing, close the tap, disconnect the inlet hose from the tap, and drain the water inside the hose and the dishwasher completely.

OPERATION

DETERGENT USAGE



WARNING

Use a detergent specifically designed for use in domestic dishwashers.

- Use powder, gel, and tablet detergents that have been appropriately designated for use in household dishwashers.
- Detergent should be put into the compartment prior to starting the dishwasher.
- Add the proper detergent for the selected program to ensure best performance.
- Use less detergent if the dishes are only lightly soiled. Using excess detergent can leave a film on dishes and in the dishwasher, resulting in poor wash performance.
- Do not use detergent tablets for shorter wash cycles. The tablet may not dissolve completely, causing detergent residue on dishes and inefficient cleaning.

NOTE: The amount of detergent needed depends on the cycle, load size, and soil level of dishes. Too much detergent in soft water may cause glass corrosion and does not dissolve in water.



WARNING

Do not use too much detergent if your water supply is soft.



WARNING

Keep detergents in cool, dry places and out of reach of children. See the detergent manufacturer's instructions for further information.



WARNING

Detergent tablets do not fully dissolve with short programs. To prevent detergent residues on the tableware, use tablets with long programs.



WARNING

Do not use detergent in the Rinse cycle. If you do not know the hardness of your water supply, use 3 teaspoons of detergent. Increase the amount of detergent if there are white water marks, especially on the surface of the glassware.

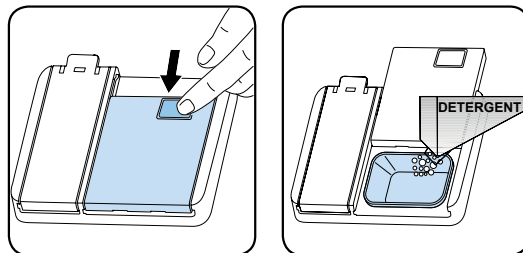
NOTE: If more information is needed concerning appropriate detergents, contact detergent manufacturers directly. Check that the detergent dispenser is empty after the completion of each wash program.

OPERATION

FILLING THE DETERGENT

NOTE: The dispenser should be refilled just before the start of each program.

1. Push the latch to open the detergent container as shown in the image.



2. Put the detergent into the dispenser.
3. The detergent cup has level lines inside. Measure the right detergent amount using these lines. The detergent cup can hold up to 1.35 ounces.
4. Pour roughly 1 oz of detergent into the detergent compartment (noted in blue above; see page 14 for filling the rinse-aid reservoir) if the dishes are heavily soiled. Pour 0.50 oz if they are less soiled. Add more detergent depending on the degree of soil and on the water hardness level in your area.
5. Close the door of the detergent dispenser.

NOTE: The dispenser door will always be open at the end of a wash cycle.



WARNING

Follow instructions on the package of the detergent when using liquid dishwasher detergent, concentrated powder detergent, or tablet detergent.



WARNING

Amounts may vary using liquid or concentrated powder detergent. Tablet detergents should be placed in the detergent container.



WARNING

Your results may vary depending on how soiled the dishes are and how hard the water is in your location.



WARNING

Use only the proper amount of detergent. Continued use of too much detergent may cause dishwasher damage.

OPERATION

USING COMBINED DETERGENTS

- Detergent manufacturers also manufacture combined detergents that are called 2-in-1, 3-in-1, 5-in-1, etc.
- The 2-in-1 detergents contain detergent salt or rinse-aid. While using the 2-in-1 detergents, be sure you know what the tablet consists of.
- The other tablet detergents also have detergent, rinse-aid, salt, and various extra functions/ingredients.
- Generally, combined detergents produce sufficient results under certain usage conditions only. Such detergents contain rinse-aid and/or salt in preset amounts.

THINGS TO CONSIDER WHEN USING DIFFERENT DETERGENTS

- Always make sure to check the specifications of the detergent and whether or not it is a combined detergent.
- Check if the detergent used is appropriate for the hardness of the water that the dishwasher will use.
- Observe the instructions on the package when using such products.
- When using table detergents, never put them into the interior section or the cutlery basket of the dishwasher. Always put the tablets into the detergent compartment in the detergent dispenser.
- Combined detergents produce good results for certain types of usage only. If using these types of detergents, contact the manufacturers and learn about suitable conditions of use.
- When the conditions of use of such products and the dishwasher settings are appropriate, they ensure savings in rinse-aid consumption.
- Contact the detergent manufacturers if wash results are not optimal (if the dishes stay cloudy and wet) after using 2-in-1 or 3-in-1 detergents. The scope of warranty for the dishwasher does not cover any complaints caused by the use of these types of detergents.
- **Recommended usage:** To obtain better results while using combined detergents, add rinse-aid into the dishwasher and adjust the rinse-aid setting to the lowest position.

OPERATION

NOTE: If using a detergent pod from brands like Tide, All, etc., it's recommended to place the pod in the detergent dispenser and close the dispenser door before starting a cycle. Consult the detergent pod manufacturer if wash results are not optimal.



CAUTION

Solubility of the tablet detergents produced by different companies can vary depending on the temperature and time. Therefore, it is not recommended to use such detergents in short programs. It is more suitable to use powder detergents in such programs.



WARNING

Should any problem that has not been encountered before arise with the use of these types of detergents, contact the detergent manufacturers directly.

If no longer using combined detergents:

- Fill the rinse-aid compartment.
- Select a suitable rinse-aid setting.

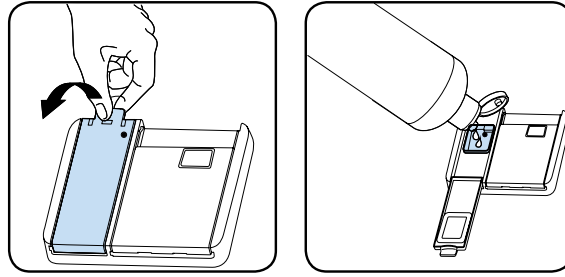
RINSE-AID USAGE

- Rinse-aid makes dishes sparkle and helps them to dry without spotting. Rinse-aid is required for stain-free utensils and clear glasses.
- Filling the rinse-aid reservoir with detergent will damage the reservoir. Only pour rinse-aid formulated for residential dishwashers into the reservoir.

NOTE: When the rinse-aid indicator lights up, the rinse-aid reservoir contains sufficient rinse-aid for 2-3 programs only. When using combined detergents, rinse-aid is not needed.

OPERATION

FILLING THE RINSE-AID AND SETTING



1. To fill the rinse-aid compartment, open the rinse-aid compartment door.
2. Fill the compartment with rinse-aid to the Max level and then close the door. Be careful not to overfill the rinse-aid compartment and wipe up any spills.
3. Close the door until it clicks. Otherwise, water can enter the rinse-aid reservoir during a program.

In order to change the rinse-aid setting, follow the below steps before turning on the dishwasher:

1. Open the door of the dishwasher,
2. Press and hold "Start/Pause + On/Off" button for 3 seconds.
3. Immediately after "--" is seen on the display and the dishwasher gives an audible warning, release "Start/Pause + On/Off" button, press and hold "Program Selection + Cancel" button until "rA" is represented on the display. The dishwasher will display the last setting.
4. The amount of rinse-aid is adjusted by pressing "Program Selection + Cancel" button.
5. After the adjustment, turn off (by pressing "Start/Pause + On/Off" button) the dishwasher to save the selected rinse-aid amount.

NOTE: If the dishes are not drying properly or are spotted, increase the level. If blue stains form on the dishes, decrease the level.

LEVEL	BRIGHTENER DOSE	INDICATOR
1	Rinse - aid not dispensed	r1 is shown on the display
2	1 dose is dispensed	r2 is shown on the display
3	2 doses are dispensed	r3 is shown on the display
4	3 doses are dispensed	r4 is shown on the display
5	4 doses are dispensed	r5 is shown on the display

OPERATION

LOADING THE DISHWASHER

Placing dishes into the dishwasher properly is best for energy consumption, as well as washing and drying performance.

- Load round and deep items, such as pots with long handles, pot lids, plates, salad plates, and cutlery sets into the lower basket.
- The upper basket is designed for dessert plates, salad bowls, cups, and glasses.
- When placing long-stem glasses and goblets, lean them against the basket edge, rack, or glass supporter wire and not against other items.
- Do not lean long glasses against one another as they cannot remain steady and may receive damage. It is better to arrange the thin narrow parts into the middle sections of baskets.
- Place spoons among other cutlery sets in order to prevent them from sticking to one another. Use the cutlery grid in order to obtain the best result.
- To avoid any possible injuries, always place long-handle and sharp-pointed dishes, such as serving forks, bread knives, etc., with their sharp points facing down or horizontally on the baskets.



WARNING

Place dishes into the dishwasher in a way that they will not prevent the upper and lower spray arms from spinning.

NOTE: Place all large and very soiled items in the lower rack.



WARNING

Do not put items that can absorb water (sponges, household cloths, etc.) into the dishwasher.

NOTE: Place all containers such as cups, glasses, and pots into the dishwasher with the opening facing downwards (so that no water can collect).

NOTE: Dishes and cutlery should not be placed above each other.

OPERATION

NOTE: Do not overload the dishwasher; pay attention to manufacturer instructions regarding which dishes and utensils are appropriate for use in a dishwasher. Only with suitable dishes will there be optimal washing results and appropriate use of energy.

NOTE: High temperature water and dishwasher detergent may form a chemical reaction that can damage certain items.



WARNING

Be careful when loading and unloading sharp items. Load sharp knives with the handles up to reduce the risk of personal injury.

Follow the below steps before loading dishwasher.

1. Open the door.
2. Remove stuck-on food left on dishes.
3. Load the dishwasher.

NOTE: If the dishwasher door is opened while it is running, all functions are automatically interrupted. Once the door is closed functions will continue to work.

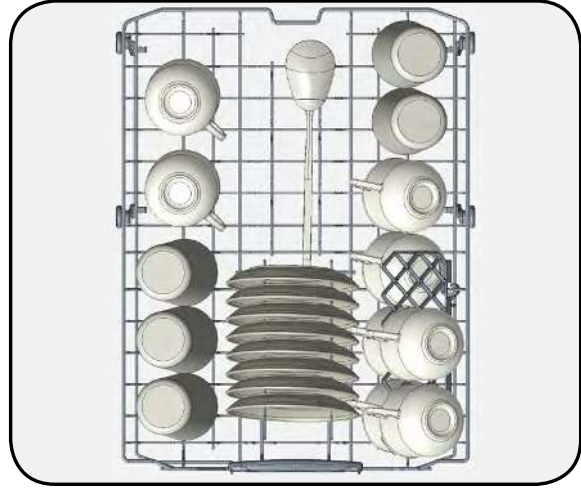
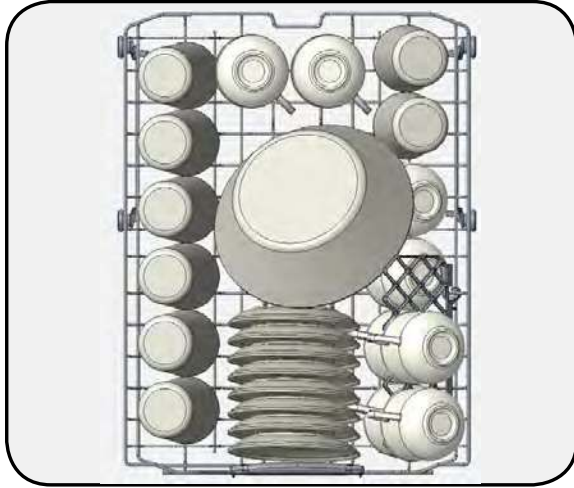
DRYING DISHES

- Please note that while the dishwasher is equipped with a premium drying system, some dishes may still be wet after a full drying cycle.
- In particular, dishes that have small reservoirs, such as the bottom of coffee mugs, may hold water after a full drying cycle. This is normal for all dishwashers.
- Dishes will dry in a shorter time if the door is left ajar after a wash cycle and the dishes are left inside for 15 minutes. This allows steam to escape and will increase the drying effectiveness of the dishwasher.

OPERATION (DWV-18 MODELS)

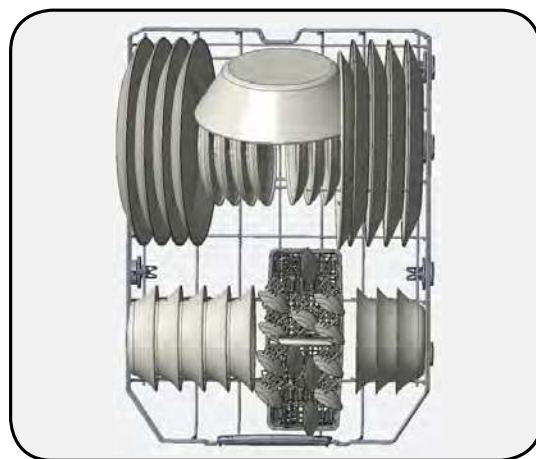
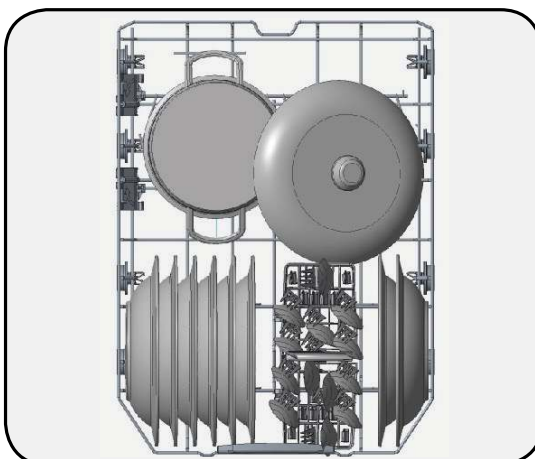
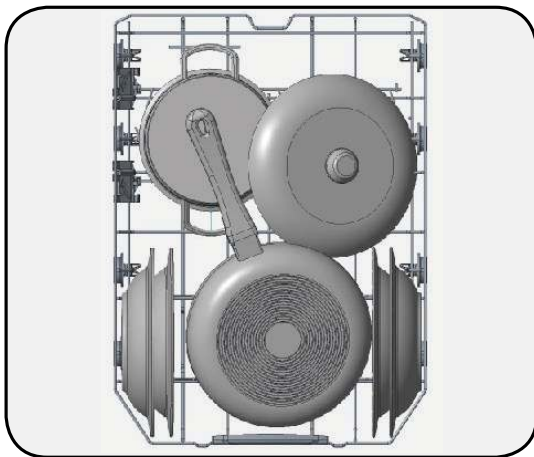
UPPER RACK

Load the upper rack with dessert plates, cups, glasses, etc.



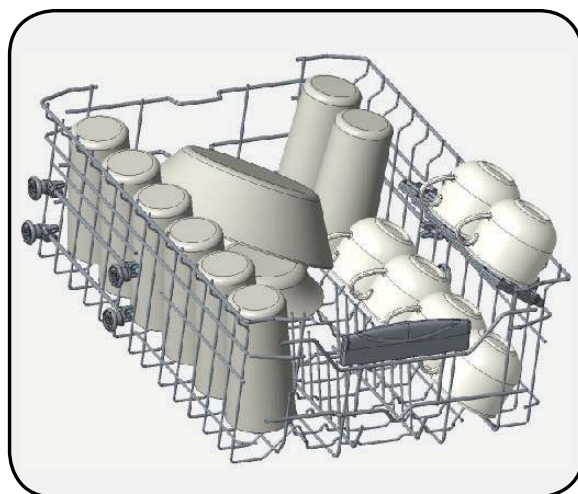
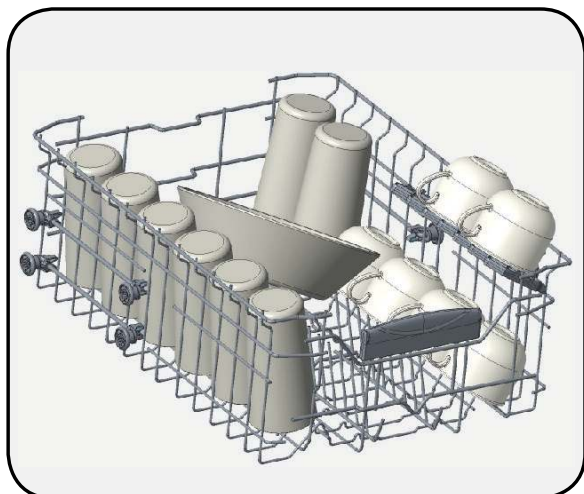
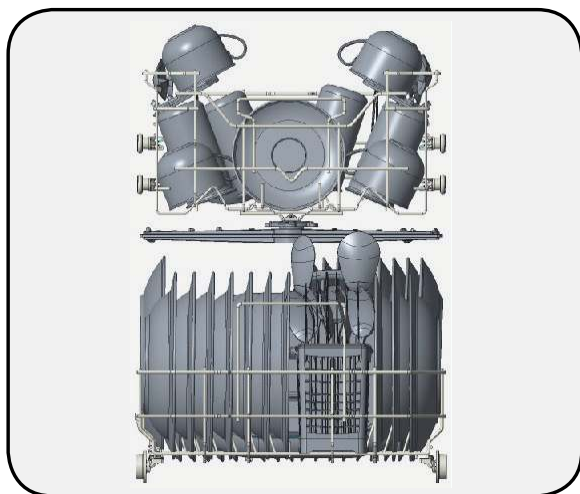
LOWER RACK

Load the lower basket with items that are round and deep, such as pots with long handles, pot lids, plates, salad plates, and cutlery sets. The lower rack should not be used for small items, such as cups and wine glasses.



OPERATION (DWV-18 MODELS)

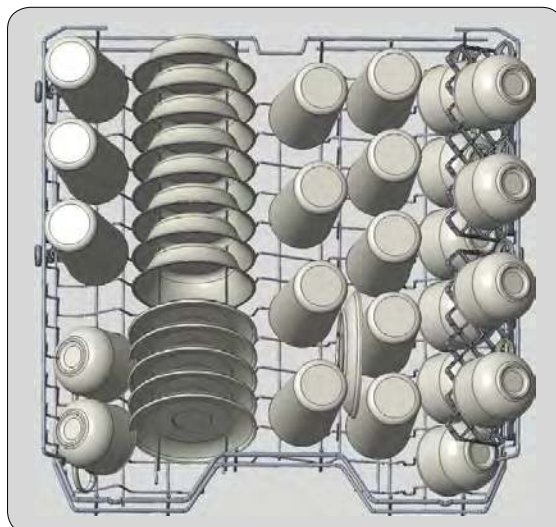
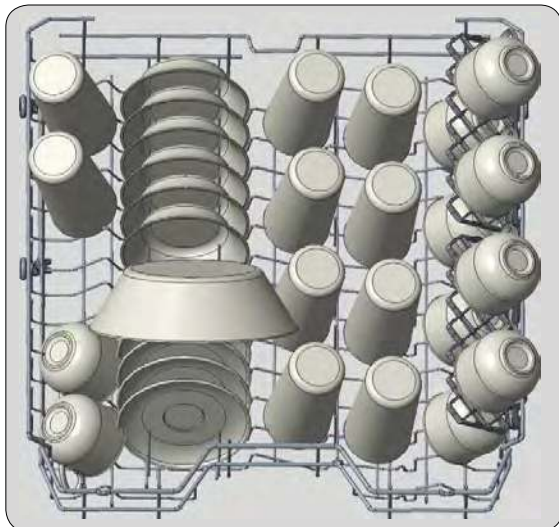
EXAMPLES OF INCORRECT LOADS



OPERATION (DWV-24 MODELS)

UPPER RACK

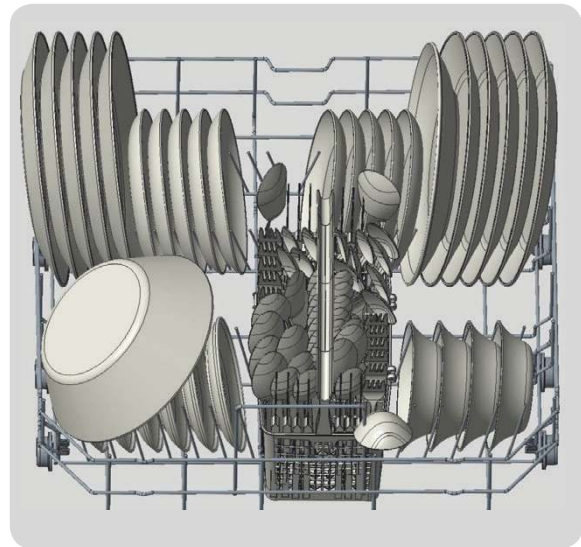
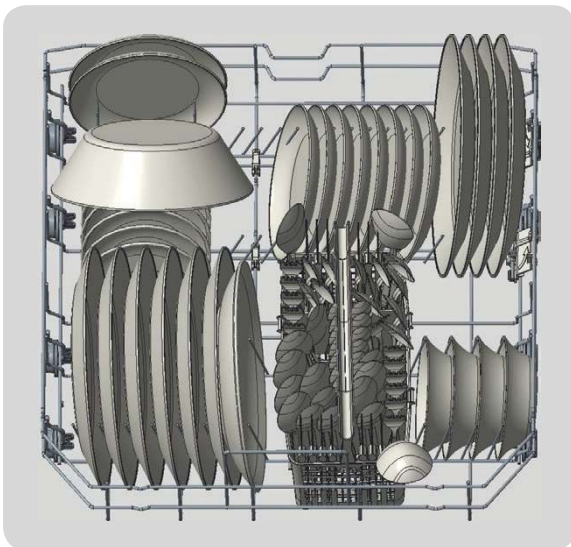
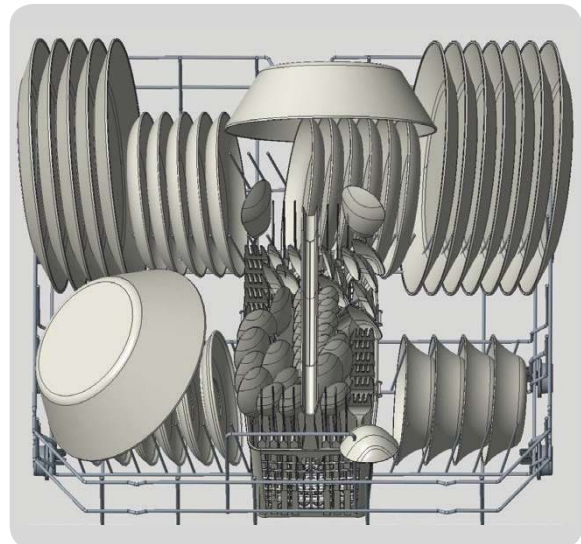
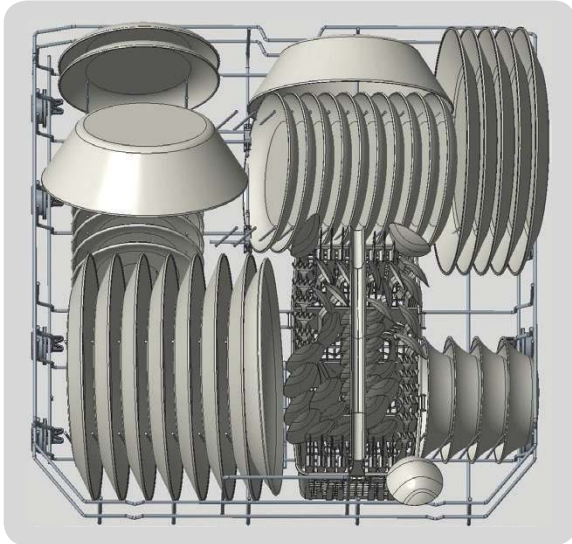
Load the upper rack with dessert plates, cups, glasses, etc.



OPERATION (DWV-24 MODELS)

LOWER RACK

Load round and deep items, such as pots with long handles, pot lids, plates, salad plates, and cutlery sets into the lower rack. The lower rack should not be used for small items such as cups and wine glasses.



NOTE: Place all large and very soiled items in the lower rack.



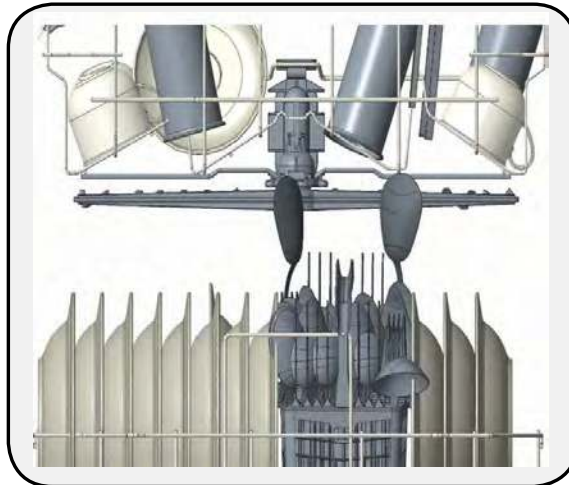
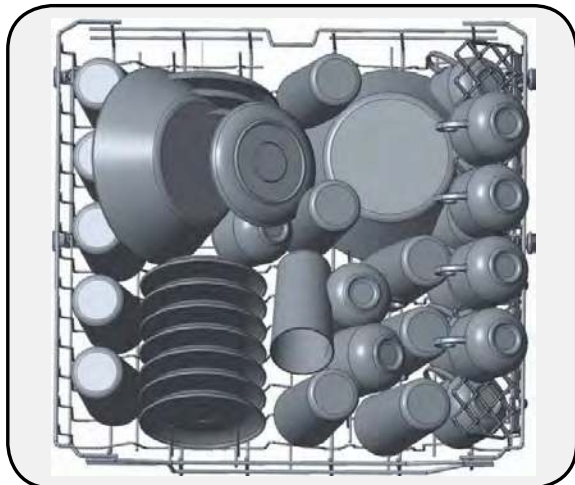
WARNING

Large knives and other utensils with sharp tips and edges must be placed horizontally onto the upper rack to minimize the risk of injury. Other smaller knives and sharp utensils should be placed with sharp side down in the cutlery basket.

NOTE: Make sure that large items do not interfere with the rotation of the spray arms and do not prevent the detergent dispenser from opening.

OPERATION (DWV-24 MODELS)

EXAMPLES OF INCORRECT LOADS



CUTLERY BASKET

6	4	4	4	4	5
3	3		3	3	
2	2	2	2	2	2
2	1	1	1		1
2	1	1	1		1
2	2	2	2	2	2
3	3	3	3		
2	4	4	4	4	5

1. Salad Fork
2. Teaspoon
3. Dinner Fork
4. Solid Handle Knife
5. Serving Spoon
6. Serving Fork

Cutlery basket load pattern for 8 place settings.



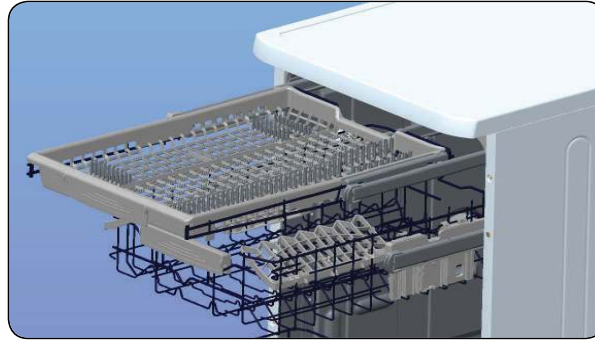
WARNING

Sharp cutlery may have shifted position during the wash operation and can be also wet and slippery. Carefully remove utensils to prevent injury.

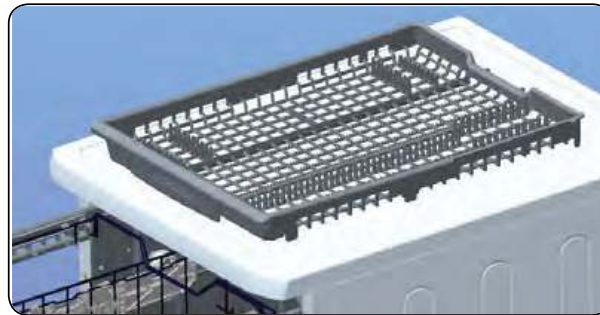
NOTE: Small items should be placed in the cutlery basket because small items can fall through the holders from the baskets.

OPERATION

The upper cutlery basket is designed for the placement of large and small cutlery and utensils.



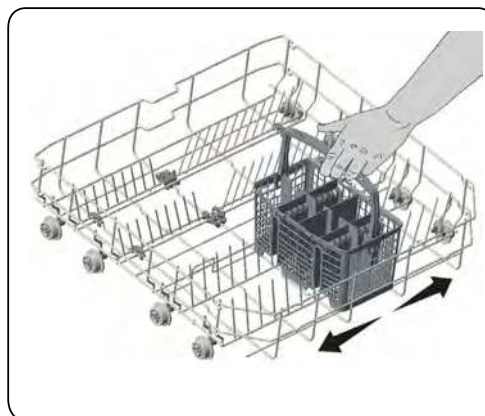
It is easily removed from the dishwasher, allowing ease of use when removing items, along with the basket, after washing.



WARNING

Knives and other sharp objects must be placed horizontally in the cutlery basket to avoid risk of injury.

SILVERWARE BASKET



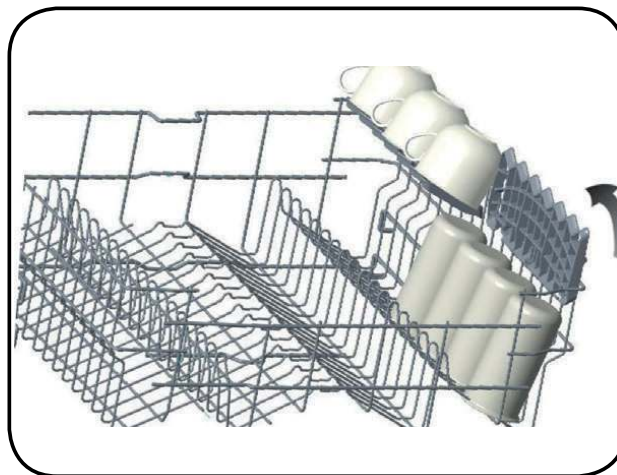
- The silverware basket is designed to wash dishes such as knives, forks, spoons, etc., in a cleaner manner.
- The cutlery basket can be moved, creating a wider space in the lower basket for dishes of different sizes.

OPERATION

TOP BASKET

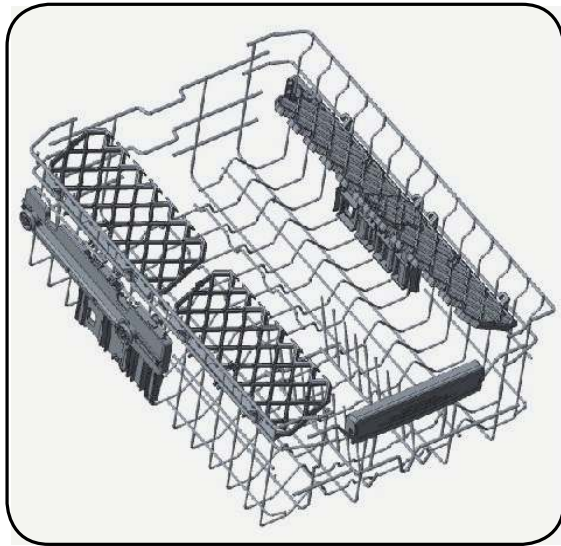
Rack with height adjustment:

- These racks are designed to increase the capacity of the top basket. Place cups and glasses on these racks. These racks are adjustable and can accommodate glasses of different sizes.
- Height adjustment brackets mounted on the basket allow racks to be in two different positions.
- Place long knives, forks, and spoons on these racks horizontally for them not to block the movement of spray arms.

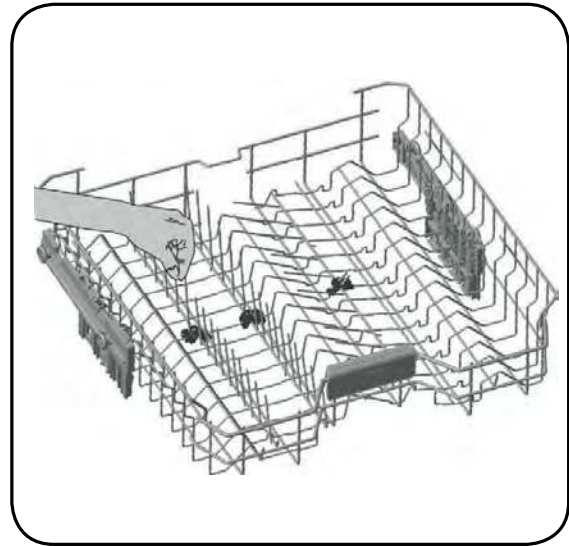


OPERATION

The horizontal wires located on the top basket allow for placement of plates and bowls. You can wash various-sized kitchenware such as pots and pans by flipping the height adjustment brackets closed (see DWV-24 model for reference).



DWV-18



DWV-24



NOTICE

Bringing the wires to the horizontal position by holding them from the tips may cause them to bend. Therefore, it is appropriate to move the wires by holding them by their stems and pushing into the desired location.

LOWER RACK BOTTLE WIRE

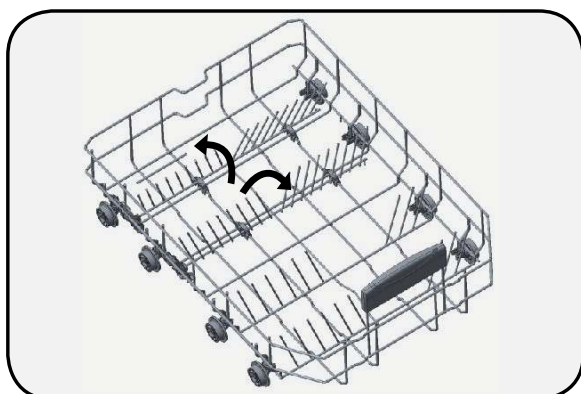
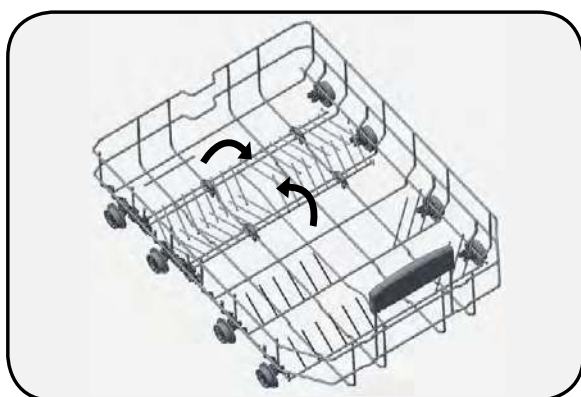
Some DWV models may include a lower rack bottle wire that is used to clean water bottles and other tall cylindrical products by keeping them upright during wash cycles. This piece can be easily removed by hand and moved to different locations on the lower rack.

OPERATION

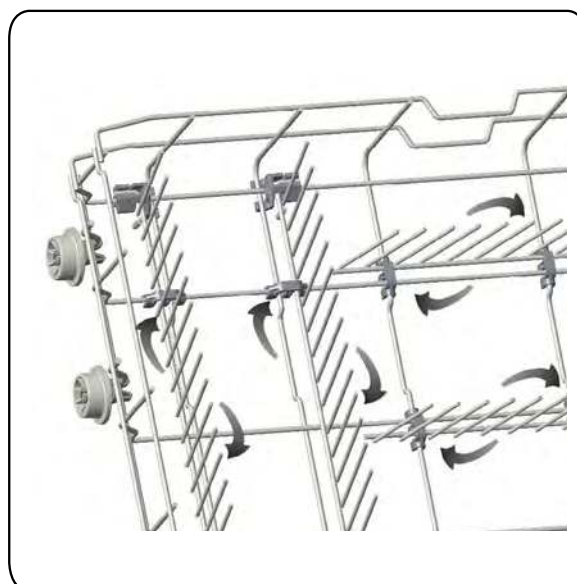
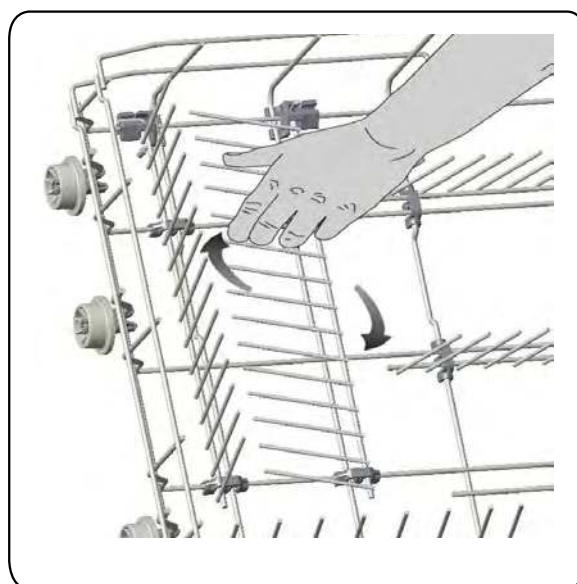
LOWER BASKET FOLDING RACKS

Folding racks consisting of four parts that are located on the lower basket of the dishwasher are designed to more easily fit large items, such as pots, pans, etc. If desired, each part can be folded separately or all of them can be folded to create larger spaces. Use folding racks by raising them upwards or by folding.

DWV-18



DWV-24

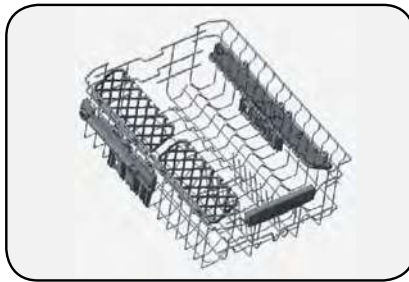


OPERATION

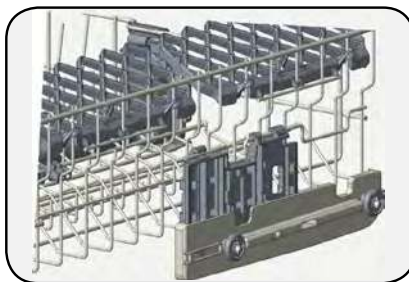
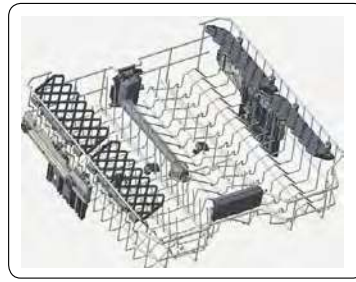
HEIGHT SETTING (WHEN BASKET IS FILLED)

The upper basket includes a mechanism that enables the height of the basket to be adjusted up or down without having to remove the basket. Hold the basket on both sides and pull it up or push it down, ensuring both sides of the upper basket are in the same position.

DWV-18



DWV-24

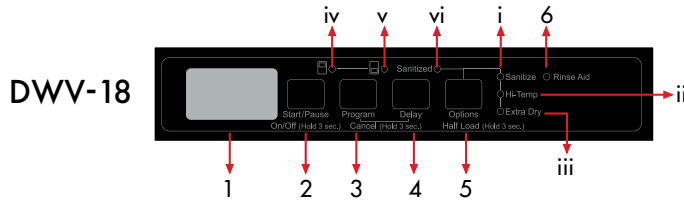


- The basket height adjustment mechanism on the top basket of the dishwasher is designed to let the height of the top basket move upwards or downwards without removing it from the dishwasher when it is full. It's also designed to create large spaces at the top or bottom area of the dishwasher as needed.
- The dishwasher basket is set to the upper position by default. In order to raise the basket, hold it from both sides and pull upwards. In order to lower it, hold it from both sides again and lower it. When using the basket adjustment mechanism, make sure that both sides are in the same position (up or down).

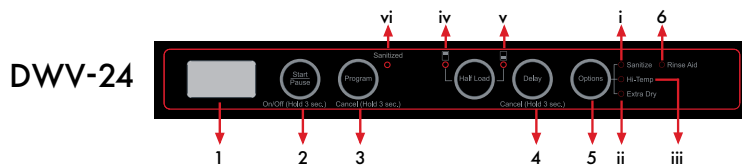


NOTICE Make sure that both levers catch in the same height position.

OPERATION



1. Display
2. On/Off + Start/Pause Button
3. Program Selection + Cancel Button
4. Delay Timer Button
5. Extra Options Button
6. Rinse Aid Indicator
- i. Sanitize Options
- ii. Hi-Temp Options
- iii. Extra Dry Options
- iv. Half Load - Upper Basket
- v. Half Load - Lower Basket
- vi. Sanitized Indicator



1. Display
2. On/Off + Start/Pause Button
3. Program Selection + Cancel Button
4. Delay Timer Button
5. Extra Options Button
6. Rinse Aid Indicator
- i. Sanitize Options
- ii. Hi-Temp Options
- iii. Extra Dry Options
- iv. Half Load - Upper Basket
- v. Half Load - Lower Basket
- vi. Sanitized Indicator

OPERATION

BUTTONS

ON/OFF BUTTON

- This button is used as the On/Off button if it is held down for 3 seconds. Otherwise, it can be used as the Start/Pause button. It is used to turn on or turn off the dishwasher.
- The dishwasher will turn on with the Regular program, and the number and the duration of the Regular program will appear on the display.
- Each of program numbers and the duration will sequentially represent for 2 seconds on the display. In Off position, the display will turn off.

START/PAUSE BUTTON

Used to start or pause a selected program and functions.

PROGRAM SELECTION/CANCEL BUTTON

Used to select the washing program determined from the programs table. The cancel button is activated when Program Selection/Cancel Button is held down for 3 seconds.

DELAY TIMER BUTTON

Should be pressed to make the time delay settings.

HALF LOAD BUTTON

Used to add Half Load functions to the selected program.

OPTIONS BUTTON

Used to add optional functions to the selected program.

SCREEN

When the unit is running and the door is closed, the display will show 188. This is due to the design of the display panel and is a normal function.

OPERATION

PREPARING THE DISHWASHER

1. Open the door of the dishwasher.
2. Place dishes in accordance with the instructions detailed on previous pages.
3. Make sure that the upper and lower spray arms rotate freely.
4. Put adequate amount of detergent into the detergent dispenser.
5. Check if the rinse-aid indicator light is on and add rinse-aid if needed.

PROGRAM SELECTION

6. Press the On/Off button to turn on the dishwasher. Note that the door of the dishwasher is in the OPEN position.
7. Refer to the "Programs Table" to determine a washing program suitable for the dishes.
8. Press program selection button until the number of the program selected appears on the display.

STARTING THE PROGRAM

- Open the door of your dishwasher. Select the program and optional functions. The program duration and program number will appear on the display alternately. Press "Start/Pause + On/Off" button. Close the door within 4 seconds, and the program will start.
- If the door is not closed within 4 seconds, the dishwasher will not start. In this case, to start the selected program, the door must be opened, the Start/Pause button must be pressed and the door must be closed again within 4 seconds after the Start/Pause button is pressed.
- The total time can change while the program is running depending on the ambient temperature where the dishwasher is installed, temperature of the supply water, and amount of the dishes.
- If the door is opened while the dishwasher is running, the dishwasher will switch to the standby mode. Press Start/Pause button and close the dishwasher door within 4 seconds, and the program will resume.

OPERATION

PROGRAMS		DURATION (MIN)	DESCRIPTIONS
DWV-18			
Regular	Soiled	140	Standard program for daily, regular, or typical use to completely wash a load of normally soiled dishes.
	Clean	105	
Auto	Soiled	155	This program automatically adjusts the temperature and the quantity of water, the energy consumption, and the program duration.
-	Clean	110	
Intensive Plus		165	Suitable for heavily soiled dishes that are kept waiting.
Intensive		130	Suitable for heavily soiled dishes.
Light Wash		117	Suitable for freshly soiled daily dishes.
Delicate		90	Suitable for lightly soiled delicate dishes.
Super		50	Suitable for normally soiled daily dishes with faster program.
Rinse		15	Suitable to rinse dishes that you plan to wash later.
DWV-24			
Regular	Soiled	145	Standard program for daily, regular, or typical use to completely wash a load of normally soiled dishes.
	Clean	122	
Auto	Soiled	155	This program automatically adjusts the temperature and the quantity of water, the energy consumption, and the program duration.
-	Clean	110	
Intensive Plus		165	Suitable for heavily soiled dishes that are kept waiting.
Intensive		130	Suitable for heavily soiled dishes.
Light Wash		117	Suitable for freshly soiled daily dishes.
Delicate		90	Suitable for lightly soiled delicate dishes.
Super		50	Suitable for normally soiled daily dishes with faster program.
Rinse		15	Suitable to rinse dishes that you plan to wash later.



OPERATION

COMPATIBILITY OF PROGRAMS AND OPTIONS		OPTIONS			
		HALF LOAD	SANITIZE	HI-TEMP	EXTRA DRY
PROGRAMS	Regular	✓	✓	✓	✓
	Auto	✓	✓	✓	✓
	Intensive Plus	✓	✓	✓	✓
	Intensive	✓	✓	✓	✓
	Lightwash	✓	✓	✓	✓
	Delicate	✓	X	X	✓
	Super	✓	✓	✓	✓
	Rinse	✓	X	X	X

NOTE: The program duration may change according to the amount of dishes, the water temperature, the ambient temperature, and selected additional functions.

NOTE: The energy-usage label is based on the “Regular” program. This program is the most efficient in terms of its combined energy and water consumption at cleaning normally soiled dishes. The Energy Guide Label is based on the normal soil detection cycle. In this cycle, the dishwasher was tested without any rinse aid in the rinse aid dispenser, with a single dose of detergent in the detergent dispenser and detergent used for the prewash step. For cycles with prewash, a dose of detergent can be added on the inside of the cabinet door. We recommend that the rack position for crockery loads be set to the highest position as in the energy certificate test.

- Only use powder detergent for short programs.
- Short programs do not include drying.
- To assist drying, we recommend slightly opening the door after a cycle is complete.

OPERATION

OPTIONAL FUNCTIONS

The dishwasher's washing programs are designed to give the best cleaning effect based on the type of the soil, soiling degree, and properties of the dishes to be washed. Optional functions are provided in order to save time, water, and energy and to perform a more comfortable washing cycle with conditions specific to every customer.

- Optional functions may cause changes in the program duration.
- Optional functions are not suitable for all washing programs. The dishwasher will buzz if a program is not compatible. The compatibility of the programs and options is shown on the Programs and Options table on previous pages.

TO ADD OPTIONAL FUNCTIONS TO THE PROGRAM (DWV-18)

1. Select the desired washing program by pressing the Program Selection button.
2. In the selected washing program, if an optional function is selected, the corresponding indicator will be active. If the Extra Function button is pressed again, the corresponding indicator of another optional function will be active.
3. The selection of the optional function will be canceled if the Extra Function button is pressed 6 times.

TO ADD OPTIONAL FUNCTIONS TO THE PROGRAM (DWV-24)

1. Select the desired washing program by pressing the Program Selection button.
2. In the selected washing program, if an optional function is selected, the corresponding function LED will be on. If the Half Load or Options button is pressed again, the corresponding LED of another optional function will be on.
3. The selection of the optional function will be canceled when the Half Load or Options button is pressed until the selected option LED turns off.

OPERATION

SANITIZE OPTION

The Sanitize function raises the water temperature in the final rinse. If the program selected with the Sanitize option is successfully sanitized, Sanitized Indicator lights up at the end of the program. If the washing cycle is interrupted or adequate water heating cannot be achieved, the Sanitized Indicator may not light.

HI-TEMP OPTION

When this option is selected, both the water temperature and the washing time are increased.

EXTRA DRY OPTION

The dishwasher changes the water temperature from the value described for each different program and the extra dry is performed.

HALF LOAD OPTION

It is used to operate the dishwasher without loading it completely:

1. Load dishes in the dishwasher.
2. Turn the dishwasher on with On/Off button.
3. Select the desired program and press the Half Load button. The Half Load indicator will light on the display.
4. Press Start/Pause button to start the selected program and close the door of the dishwasher.
5. With the Half Load function, save power while using the lower and/or upper baskets of the dishwasher.

DRYING DISHES

- Please note that while the dishwasher is equipped with a premium drying system, some dishes may still be wet after a full drying cycle.
- In particular, dishes that have small reservoirs, such as the bottom of coffee mugs, may hold water after a full drying cycle. This is normal for all dishwashers.
- Dishes will dry in a shorter time if the door is left ajar after a wash cycle and the dishes are left inside for 15 minutes. This allows steam to escape and will increase the drying effectiveness of the dishwasher.

OPERATION

PROGRAMMING THE WASHING TIME

DELAY TIMER

If a peak power schedule is in the region, use the Delay Timer function to wash dishes during appropriate hours. The start of the selected program can be delayed up to 19 hours. Delay Timer cannot be set after the program starts.

1. Press the Delay Timer function button after selecting the washing program and other optional functions.
2. Once the Delay Timer button is pressed, Display will show "1h" and Display will show program number, program duration, and delay time alternately for 2 seconds.
3. Set the desired time by pressing the Delay Timer button. Time will increase with the increments of 1 hour every time the button is pressed.
4. In order to start the selected program with delay, Start/Pause button should be pressed and the door of the dishwasher must be closed within 4 seconds.

CHANGING SETTINGS WHILE DELAY TIMER IS ENABLED

While the Delay Timer is activated, changes cannot be made. To change the settings, open the door of the dishwasher and change the program, optional functions, or duration of the delay time.

TO CANCEL THE DELAY TIMER FUNCTION

1. Open the door of the dishwasher.
2. Press and hold Delay Timer button for 3 seconds.
3. At the end of 3 seconds, delaying process will be canceled.
 - If the program is changed, the Delay Timer is canceled.
 - Delay Timer function can not be set after the program starts.

OPERATION

CANCELING THE PROGRAM

1. Press the Program Selection + Cancel button for 3 seconds to cancel the program.
2. After 3 seconds, "1" will appear on the display. For a couple of minutes the dishwasher will fulfill the necessary operations required to cancel the program.

NOTE: There might be residues of detergent or rinse-aid left in the dishwasher and/or on the pieces being washed depending on what step the canceled program was in.

RINSE-AID INDICATOR

Please check the rinse-aid indicator on the control panel to see whether there is adequate amount of rinse-aid in the dishwasher or not. Refill the rinse-aid reservoir with rinse-aid whenever the rinse-aid warning indicator appears on the control panel of the dishwasher.

END OF PROGRAM

"00" will be displayed when the washing program is over.

1. Open the door of the dishwasher.
2. Press Start/Pause + On/Off button to turn off the dishwasher.

NOTE: Leave the dishes in the dishwasher for about 15 minutes to cool down after they are washed. The dishes will dry in a shorter time if the door is left ajar during this period. This process will increase the drying effectiveness of the dishwasher.

WATER CUT-OFF WARNING

If main water is cut or water inlet tap is turned off, the dishwasher cannot take water in and "FF" will flash continuously on the display. As long as the problem continues, the washing program will be stopped. If the water inlet is fixed and water is provided, the dishwasher will get ready to start a new program.

PERFORMING A DRAIN CYCLE

It may be necessary at times to perform a drain cycle to empty water in the dishwasher. This can be done by canceling any cycle or program. Press the Program Selection + Cancel button for 3 seconds to cancel a program. After a cancellation has been initiated and the door has been closed, the unit will prompt a 60 second drain cycle.

OPERATION

OVERFLOWING WARNING

If the dishwasher intakes too much water or there are leaks, the dishwasher will detect this and "F1" will flash on the display. As long as overflowing continues, the dishwasher's overflow protector will remain active. If overflowing stops and safety is assured, "F1" will disappear. If "F1" does not disappear, there is a permanent fault. In this case, an authorized service provider should be contacted.

MAINTENANCE AND CLEANING



WARNING

Before cleaning or carrying out maintenance, switch off the appliance, disconnect the main plug, and turn off the water tap.

NOTE: The dishwasher should only be repaired by an authorized service agent. Do not try to repair the dishwasher beyond Troubleshooting recommendations in this manual.



WARNING

All surfaces are susceptible to scratching. Contact with unsuitable cleaning agents can alter or discolor all surfaces.



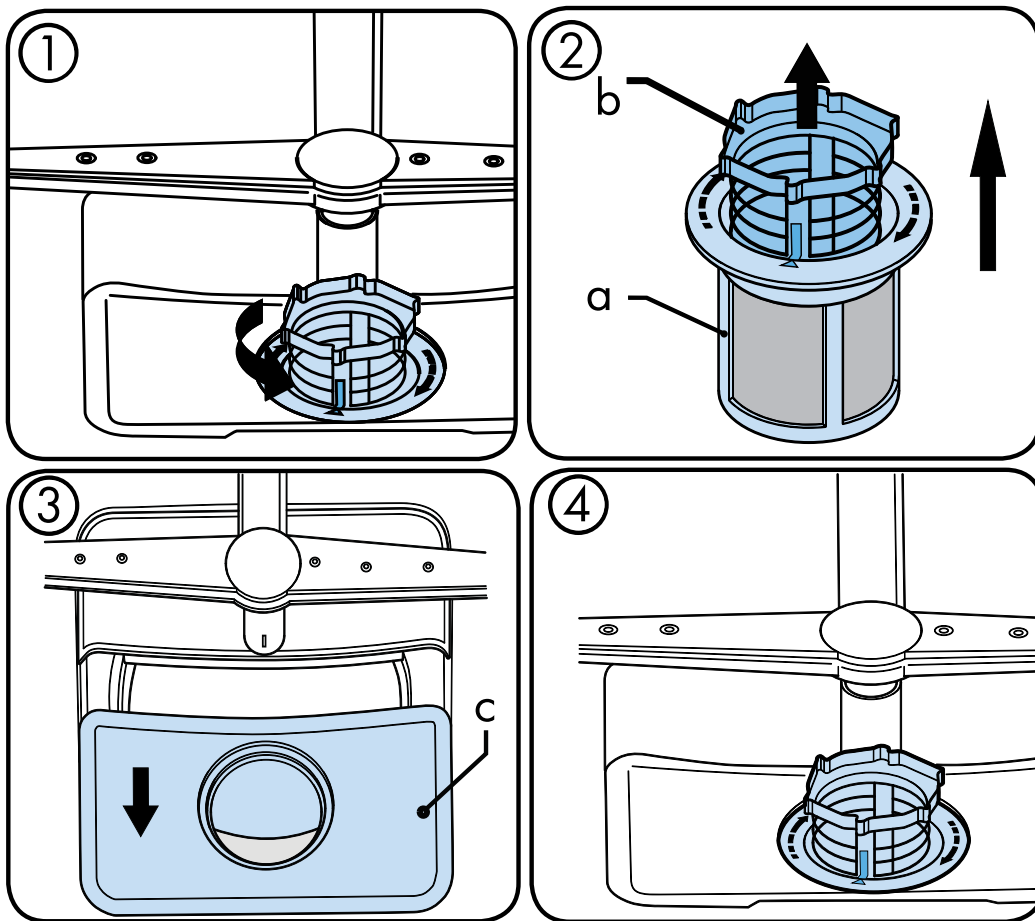
WARNING

Keep the floor around the dishwasher clean and dry to prevent any possible injury. Keep the dishwasher clean and empty and the door cracked open to allow air to circulate in case of any extended unused time.

- The dishwasher door can be damaged by abrasive cleaners, scouring pads, and abrasive cloths. Cleaning the dishwasher in regular intervals prolongs the dishwasher's service life.
- Unplug the dishwasher and turn off its tap before starting any cleaning.
- Do not use any cleaning supplies that contain metals or any type of abrasives when cleaning the dishwasher. Wipe with a fine cleaning material and a dampened cloth.

MAINTENANCE AND CLEANING

- Oil and lime may accumulate in the dishwasher's washing section. In case of such accumulation: Fill the detergent compartment without loading any dishes into the dishwasher, select a program that runs at high temperature, and start the dishwasher. If this does not work, there are specialized dishwasher cleaning products available from your various retailers (please follow the manufacturer's directions to avoid any damage to your dishwasher).
- **Cleaning the seals on the dishwasher door:** Be sure to regularly check the door seals for any damage. To clean them, wipe them down with a damp, non-abrasive cloth or sponge.
- **Cleaning the dishwasher:** Clean the filters and spray arms at least once a month.
- **Filters:** Check if any food scraps/residue or debris have remained on the coarse and fine filters. If there is any food scraps/residue present, remove the filters and clean them thoroughly under running water.
 - a. Micro Filter
 - b. Coarse Filter
 - c. Metal/Plastic Filter



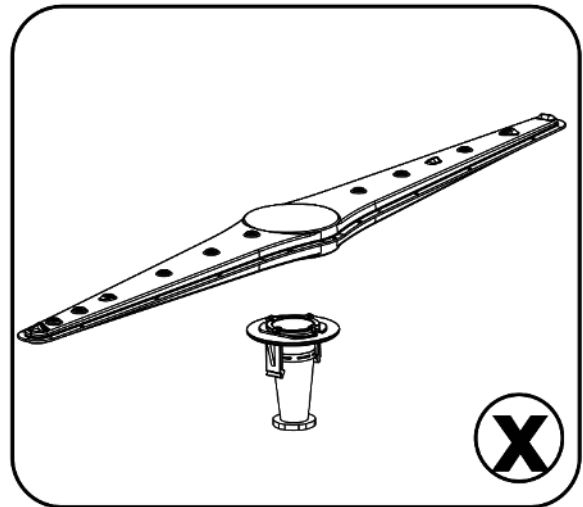
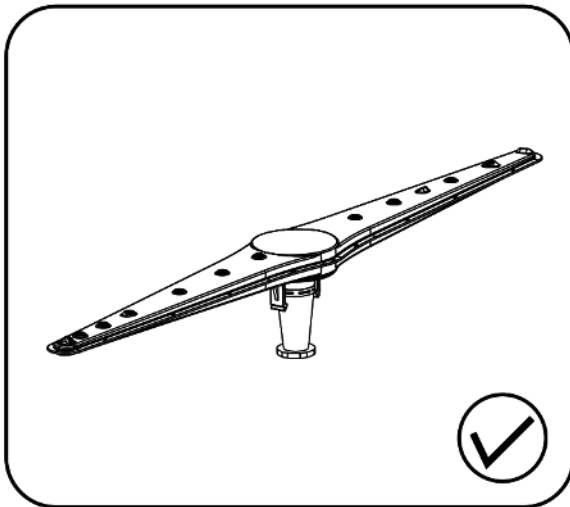
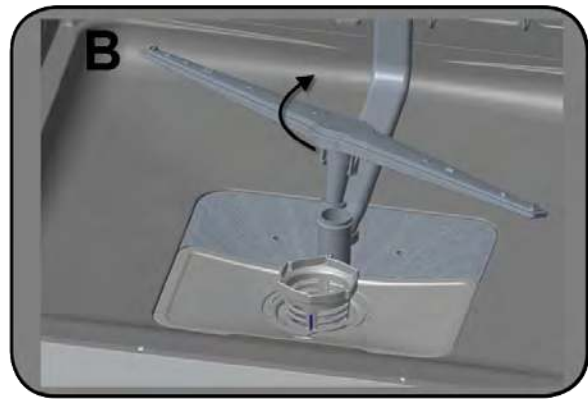
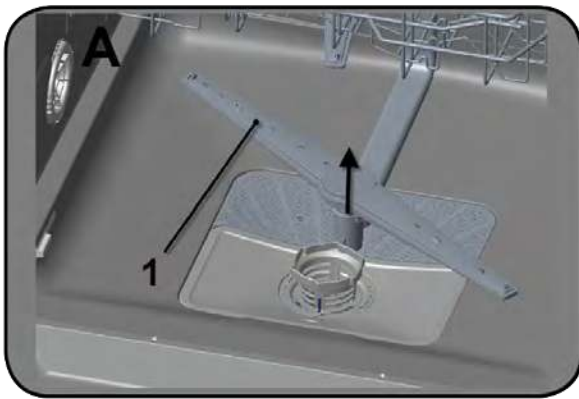
MAINTENANCE AND CLEANING

CLEANING THE SPRAY ARMS

Clean the spray arms at least once a week in order for the dishwasher to operate efficiently.

Lower Spray Arm

Check if the holes on the lower spray arm (1) are clogged. If they are clogged, remove and clean the spray arm. Pull the lower spray arm up to remove it (A, B.)



WARNING

Lower spray arm is metal; after removing the lower spray arm for maintenance and cleaning, do not disassemble the plastic part from the spray arm. This may cause injury due to possibility of sharp edge on the metal spray arm when plastic part is removed.

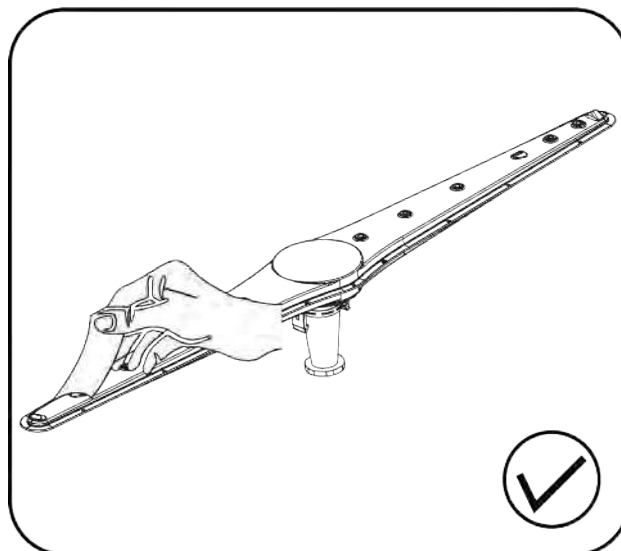


WARNING

Only the DWV-24 model dishwasher has a metal lower spray arm.

MAINTENANCE AND CLEANING

Upper Spray Arm



Remove blue film before use.

Check if the holes on the upper spray arm (1) are clogged. If they are clogged, remove and clean the spray arm. Turn its nut left to remove the upper spray arm (A, B). Make sure that the nut is tightened well when installing the upper spray arm.



TROUBLESHOOTING

ERROR MESSAGE	POSSIBLE FAULT	WHAT TO DO
F1	Overflow	Unplug the dishwasher and close the tap.
		Contact customer service at 1-614-777-5004.
F2	Inability to discharge water	Water discharge hose and filters may be clogged.
		Cancel the program.
		Contact customer service at 1-614-777-5004 if the error continues.
F3	Continuous water input	Close the tap and contact customer service at 1-614-777-5004.
F5	Pressure system failure	Contact customer service at 1-614-777-5004.
F6	Faulty heater sensor	
F7	Overheating	
F8	Heater error	
F9	Divisor position error	
FF	Water inlet system failure	Make sure the water inlet tap is open and water is flowing.
		Separate the inlet hose from the tap and clean the filter of the hose.
		Contact customer service at 1-614-777-5004 if the error continues.
HI	High voltage failure	Contact customer service at 1-614-777-5004.

TROUBLESHOOTING

FAULT	POSSIBLE CAUSE	TROUBLESHOOTING
The screen does not come on.	The breaker is not in the on position.	Switch the breaker to the on position.
	The supply cord is not plugged in.	Plug in the supply cord.
The program does not start.	Your dishwasher is not plugged in	Plug your dishwasher in.
	Your dishwasher is not switched on.	Switch your dishwasher on by pressing the On/Off button.
	Fuse blown.	Check your indoor fuses.
	Water inlet tap is closed.	Turn on the water inlet tap.
	Your dishwasher door is open.	Close the dishwasher door.
	Water inlet hose and dishwasher filters are clogged.	Check the water inlet hose and dishwasher filters and make sure they are not clogged.
Water remains inside the dishwasher.	Drain hose is clogged or twisted.	Check the drain hose, then either clean or untwist it.
	Drain hose comes out of air gap next to sink.	
	Drain hose blocked.	Remove drain hose from disposal, making sure plug is removed.
	The filters are clogged.	Clean the filters.
	The program is not finished yet.	Wait until the program is finished.
	A drain cycle may need to be performed	Cancel any cycle by holding Program Selection + Cancel for 3 seconds and close the door. This will prompt a 60 second drain cycle.

TROUBLESHOOTING

FAULT	POSSIBLE CAUSE	TROUBLESHOOTING
No water is coming into the dishwasher.	The water shut-off is in the on position.	Switch the water shut-off to the off position.
Dishwasher stops during washing.	Power failure.	Check main power.
	Water inlet failure.	Check water tap.
Shaking and hitting noises are heard during a wash operation.	The spray arm is hitting the dishes in the lower basket.	Move or remove items blocking the spray arm.
Partial food scraps/residue remain on the dishes.	Dishes placed incorrectly, sprayed water not reaching affected dishes.	Do not overload baskets.
	Dishes leaning on each another.	Place dishes as instructed in the section on loading your dishwasher.
	Not enough detergent used.	Use the correct amount of detergent, as instructed in the program table.
	Wrong wash program selected.	Use the information in the program table to select the most appropriate program.
	Spray arms clogged with food waste.	Clean the holes in the spray arms with thin objects.
	Filters or water drain pump clogged or filter misplaced.	Check the drain hose and filters are correctly fitted.

WARRANTY

COVERAGE

ZLINE Kitchen and Bath ("ZLINE") dishwashers have a one year parts and service warranty.

ZLINE warranty periods begin from the original date of product delivery and solely cover the original purchaser of the product, delivered new and in its original carton. The limited warranty covers all parts and labor for necessary repairs if any part of the product, or the product itself, proves to be defective in materials or workmanship. The product must be deemed serviceable via troubleshooting with the ZLINE Customer Experience team. All service on ZLINE products under warranty must be performed by ZLINE-approved and ZLINE-certified service providers unless otherwise specified by ZLINE. Service will be provided during normal business hours. Products must be unobstructed and accessible to the service provider at the time of service. ZLINE's liability is limited to the original purchase price of the product. Additional injuries, losses, damages, or other inconveniences caused by product malfunction or defects in materials are not covered under the terms of this warranty.

TERMS

ZLINE warranties apply only to the original purchaser of a ZLINE product installed for normal residential use. This is defined as a single-family, residential dwelling in a non-commercial setting. Any warranty claim stemming from installation, operation, or any other use within a commercial setting is not covered under this limited warranty. Commercial settings include, but are not limited to: schools, churches, hotels, restaurants, vacation rentals such as Airbnb, daycare centers, private clubs, fire stations, common areas in multi-family dwellings, nursing homes, food service locations, and institutional food service locations such as hospitals or correctional facilities.

This warranty is non-transferable and will not under any circumstance be extended based on the date of installation — the warranty period takes effect from the date of delivery and only covers the original purchaser. The warranty applies only to products installed in the contiguous United States and the District of Columbia. Failure to secure certified warranty service per these terms will result in a forfeiture of the remaining warranty.

Out-of-pocket payments will not be reimbursed unless prior approval is received from ZLINE and/or ZLINE-certified service contract partners. Unapproved out-of-pocket payments for service will not be reimbursed. All warranty procedures must be followed to maintain warranty coverage.

WARRANTY

If a product qualifies within the service window provided under these warranty terms, and ZLINE is unable to repair the product or a defective part of the product after a reasonable number of attempts, ZLINE reserves the right to offer to replace the defective part or the product or provide the original purchaser a full refund of the purchase price of the product (not including installation, removal, or other charges that were not included in the original purchase price).

The original purchaser of the product must provide the original proof of purchase, including the purchase date, when filing a claim to obtain replacement parts, service, or refunds. Additionally, the original purchaser of the product must provide the serial number of the product when filing a claim to obtain replacement parts, service, or refunds.

This warranty shall not apply to any ZLINE product in which the original factory serial number has been removed, altered, or cannot be readily determined for any reason. Further, ZLINE is not responsible for damage resulting from, but not limited to: shipment, delivery, or improper installation; negligence or improper maintenance, misuse, or abuse of the product; unauthorized alteration, modification, or tampering with the product; accident, fire, floods, pest infestations, pandemics, natural disasters, or any other unpreventable or unexplained acts of nature, commonly referred to as "acts of God"; flare-up fires or damages caused by improper electric supply, electrical line current, voltage, or power surges; and service to correct installation not in accordance with the instructions contained in ZLINE's product manuals and/or with local government codes.

This warranty does not apply to aesthetic damage, scratches, or natural wear caused by normal use; second-hand, open box products, or products purchased from an unauthorized retailer; and damages or issues stemming from alteration or tampering with the dishwasher, including, but not limited to, painting any portion of the product's interior or exterior and altering or otherwise manipulating the power cord.

In the event service is dispatched, and it is discovered that the reported issue is not covered under warranty based on the disclaimers above, the customer will be responsible for all service fees. Failure to pay these fees will result in the forfeiture of remaining warranty coverage.

WARRANTY

Information contained within ZLINE's installation and user manuals, in addition to product information included on ZLINE's website and all related digital listings, do not cover every possible condition and situation that may occur during the installation or operation of ZLINE products.

ZLINE reserves the right to make changes at any time to its products when considered safe, necessary, and useful. Always check the ZLINE website for the most up-to-date version of its product manuals: www.zlinekitchen.com/pages/manuals.

Do not install or operate any ZLINE product if it has missing or broken parts or if it arrives damaged due to shipping. If ZLINE products arrive damaged, contact ZLINE Customer Experience at 1-614-777-5004 for help. Failure to report a damaged appliance prior to installation or operation may void the warranty.

ZLINE disclaims responsibility for damage or injury caused by improper installation or use of any of its products. ZLINE is under no obligation, by law or otherwise, to provide concessions, including repairs, prorates, rebates, discounts, or replacements, once the warranty has expired.

SERIAL NUMBER LOCATION



Please write down the model number and serial number of your appliance. Both numbers are located on the rating tag located on the right-hand side of the inner door of the dishwasher. The tag is visible when the dishwasher door is open. Do not remove permanently affixed labels, warnings, or plates from the product. This will void the warranty. You may also consider attaching your receipt or proof of purchase to this manual.

WARRANTY



SERVICE

For warranty service, please contact our Customer Service team at 1-614-777-5004 or visit www.zlinekitchen.com/contact to utilize our online Customer Experience Portal.



Scan the QR code to view the most up-to-date version of our Installation Manual and User Manual.



Need to purchase a part or accessory for your ZLINE product?
Visit www.zlineparts.com, ZLINE's official parts distribution partner.

1.7.4

zlinekitchen.com

1-614-777-5004

contact@zlinekitchen.com

ZLINE
ATTAINABLE LUXURY®

