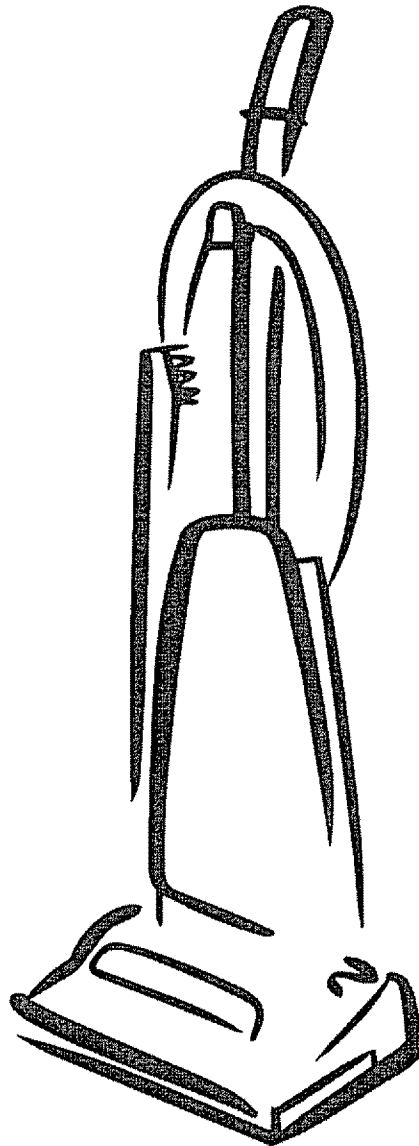


# Owner's Manual



## Vacuum Cleaner

Model 116.31079  
116.38079  
116.39079



### **CAUTION:**

Read and follow all safety and operating instructions before first use of this product.

Sears, Roebuck and Co., Hoffman Estates, IL 60179 U.S.A.  
[www.sears.com](http://www.sears.com)

Part No. C01ZAUC20U00-4370880

Printed in U.S.A.

## TABLE OF CONTENTS

<b>Before Using Your New Vacuum</b> . . . . .	2	<b>Vacuum Cleaner Care</b> . . . . .	9
<b>Kenmore Vacuum Cleaner Warranty</b> . . . . .	2	Vacuum Storage . . . . .	9
<b>Important Safety Instructions</b> . . . . .	3	Cleaning Exterior and Attachments . . . . .	10
<b>Parts and Features</b> . . . . .	4	Dust Bag Changing . . . . .	10-11
<b>Assembly Instructions</b> . . . . .	5-6	Motor Safety Filter Cleaning . . . . .	11
<b>Operating Instructions</b> . . . . .	7	Belt Changing, Brush Changing, and Brush Cleaning . . . . .	12-14
Releasing the Handle . . . . .	7	Clog Removal . . . . .	15
ON/OFF Switch . . . . .	7	Motor Protector . . . . .	15
Attachments . . . . .	8	<b>Troubleshooting</b> . . . . .	16
Attachment Use Chart . . . . .	8	<b>Requesting Assistance Or Service</b> . . . . .	17
Vacuuming Tips . . . . .	9		

## BEFORE USING YOUR NEW VACUUM

Please read this guide. It will help you assemble and operate your new Kenmore vacuum in the safest and most effective way.

For more information about the care and operation, call your nearest Sears store. You will need the complete model and serial numbers when requesting information. Your vacuum's model and serial numbers are located on the Model and Serial Number Plate.

Use the space below to record the model number and serial number of your new Kenmore vacuum.

Model No. \_\_\_\_\_

Serial No. \_\_\_\_\_

Date of Purchase \_\_\_\_\_

Keep this book and your sales check (receipt) in a safe place for future reference.

## KENMORE VACUUM CLEANER WARRANTY

### LIMITED ONE YEAR WARRANTY ON KENMORE VACUUM CLEANER

This warranty is for one year from the date of purchase, and includes only private household vacuum cleaner use. During the warranty year, when this vacuum cleaner is operated and maintained according to the owner's manual instructions, Sears will repair any defects in material or workmanship free of charge.

This warranty excludes vacuum bags, belts, light bulbs, and filters, which are expendable parts and become worn during normal use.

**For warranty service, return this vacuum cleaner to the nearest Sears Service Center in the United States.**

This warranty applies only while this product is in use in the United States. This warranty gives you specific legal rights, and you may also have other rights which vary from state to state.

**Sears, Roebuck and Co., D/817 WA, Hoffman Estates, IL 60179**

# IMPORTANT SAFETY INSTRUCTIONS



## WARNING

Your safety is important to us. To reduce the risk of fire, electrical shock, injury to persons or damage when using your vacuum cleaner, follow basic safety precautions including the following:

**Read** this manual before assembling or using your vacuum cleaner.

**Use** your cleaner only as described in this manual. Use only with Sears recommended attachments.

To reduce the risk of electrical shock – **Do not** use outdoors or on wet surfaces.

**Disconnect** electrical supply before any servicing or cleaning. Failure to do so could result in electrical shock or personal injury.

**Always** turn cleaner off before unplugging.

**Do not** unplug by pulling on cord. To unplug, grasp the plug, not the cord.

**Do not** use with damaged cord or plug. If cleaner is not working as it should, has been dropped, damaged, left outdoors, or dropped into water, return it to a Sears Service Center/Department.

**Do not** pull or carry by cord, use cord as a handle, close door on cord, or pull cord around sharp edges or corners. Do not run cleaner over cord. Keep cord away from heated surfaces.

**Do not** leave cleaner when plugged in. Unplug from outlet when not in use and before servicing.

**Do not** allow to be used as a toy. Close attention is necessary when used by or near children.

**Do not** handle plug or cleaner with wet hands.

**Do not** put any objects into openings.

**Do not** use with any opening blocked; keep free of dust, lint, hair and anything that may reduce air flow.

**Keep** hair, loose clothing, fingers, and all parts of body away from openings and moving parts.

**Do not** use cleaner without dust bag and/or filters in place.

**Always** change the dust bag after vacuuming carpet cleaners or freshener, powders and fine dust. These products clog the bag, reduce airflow and can cause the bag to burst. Failure to change bag could cause permanent damage to the cleaner.

**Do not** use the cleaner to pick up sharp hard objects, small toys, pins, paper clips, etc. They may damage the cleaner or dust bag.

**Do not** pick up anything that is burning or smoking, such as cigarettes, matches, or hot ashes.

**Do not** use cleaner to pick up flammable or combustible liquids (gasoline, cleaning fluids, perfumes, etc.), or use in areas where they may be present. The fumes from these substances can create a fire hazard or explosion.

**Use extra care** when cleaning on stairs. Do not put on chairs, tables, etc. Keep on floor.

**You** are responsible for making sure that your vacuum cleaner is not used by anyone unable to operate it properly.

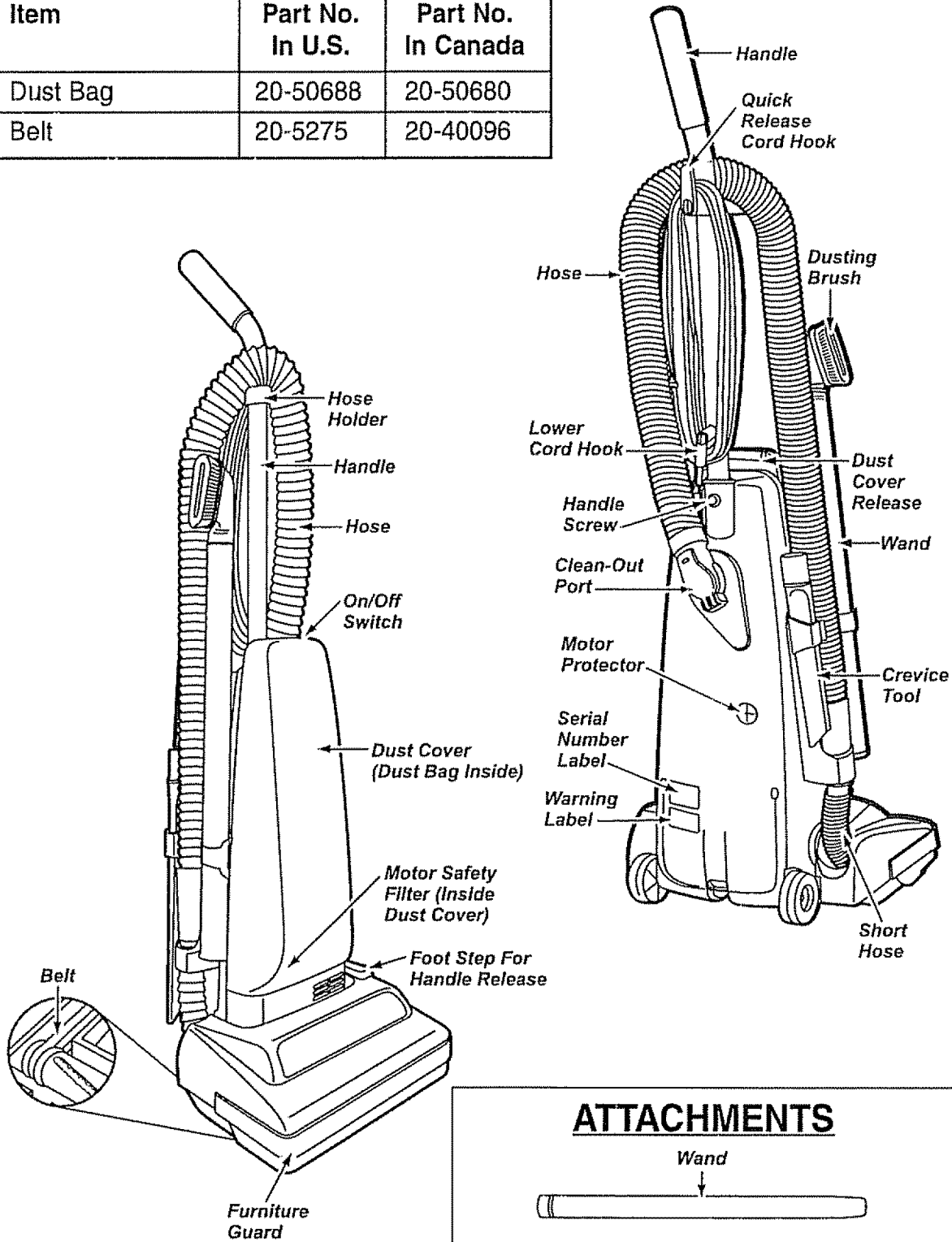
## SAVE THESE INSTRUCTIONS

Proper assembly and safe use of your vacuum cleaner are your responsibilities. Your cleaner is intended only for household use. Read this Owner's Manual carefully for important use and safety information. This guide contains safety statements under warning and caution symbols. Please pay special attention to these boxes and follow any instructions given. **WARNING** statements alert you to such dangers as fire, electrical shock, burns and personal injury. **CAUTION** statements alert you to such dangers as personal injury and/or property damage.

# PARTS AND FEATURES

It is important to know your vacuum cleaner parts and features to assure its proper and safe use. Review these before using your cleaner.

Item	Part No. In U.S.	Part No. In Canada
Dust Bag	20-50688	20-50680
Belt	20-5275	20-40096



## ASSEMBLY INSTRUCTIONS

Before assembling vacuum, check the PACKING LIST on the cover of the separate Repair Parts List. Use this list to verify that you have received all the components of your new Kenmore vacuum.

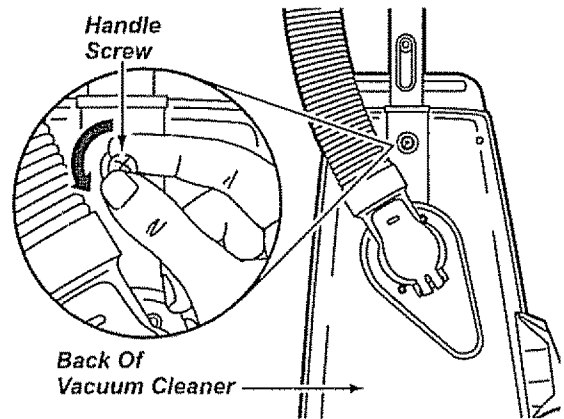
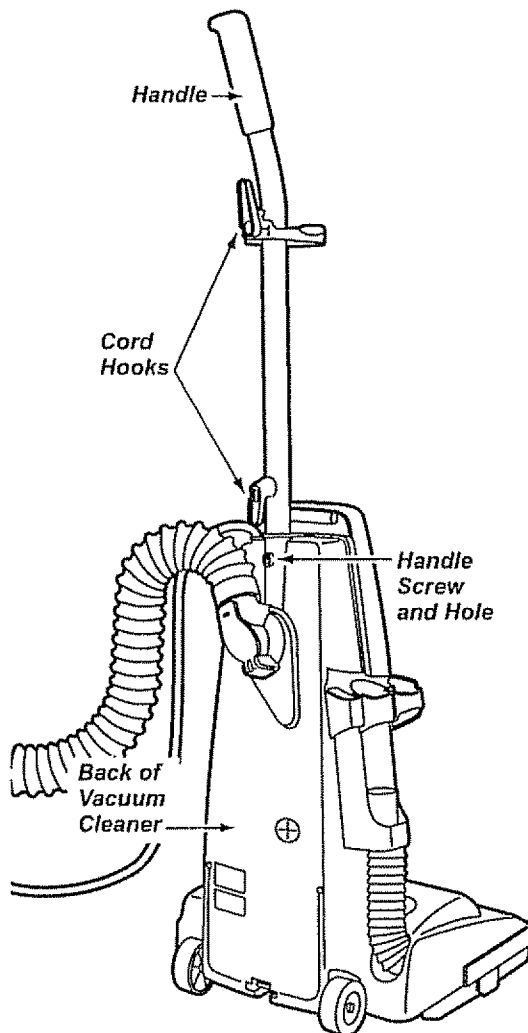


### WARNING

#### Electrical Shock Hazard

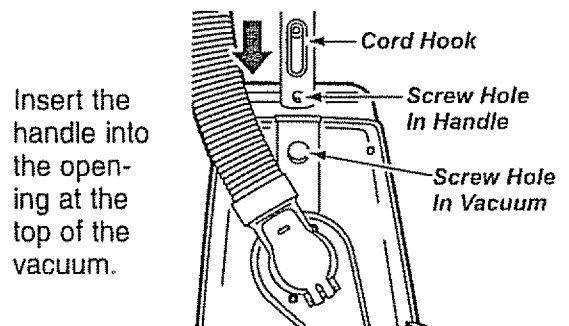
Do not plug into the electrical supply until the assembly is complete. Failure to do so could result in electrical shock or injury.

## HANDLE ASSEMBLY



Remove the handle screw located just below the top edge of the back of the vacuum. See illustration above.

Position the handle so the cord hooks are toward the back of the cleaner.

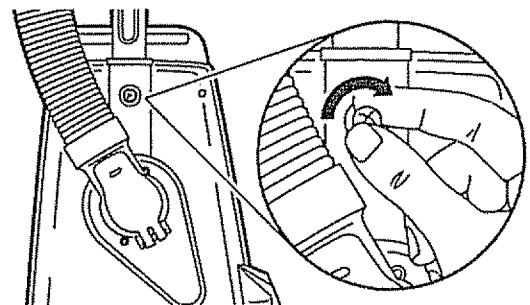


Insert the handle into the opening at the top of the vacuum.

Align the handle screw in the hole in the handle and the handle screw hole in the back of the vacuum.

Insert the handle screw so it passes through the back of the vacuum into the handle.

Begin to tighten the screw with your fingers. It may be necessary to adjust the handle slightly.





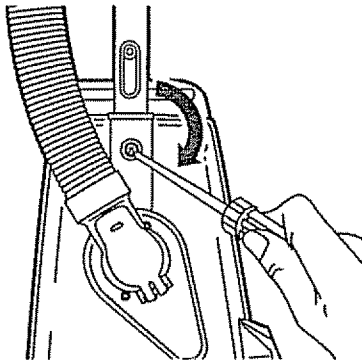
## CAUTION

Do not overtighten.

Overtightening could strip the screw holes.

Do not operate the cleaner without the screw in place.

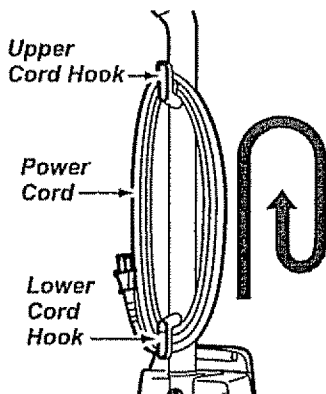
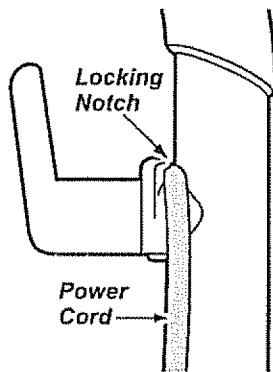
Using a screwdriver, tighten the screw.



## CORD ASSEMBLY

Make sure the quick release cord hook is in the upright position. Remove the wire tie from the power cord.

Lock the cord into place by forcing it into the locking notch on the body of the quick release cord hook as shown. This helps keep the power cord out from under the vacuum cleaner agitator.

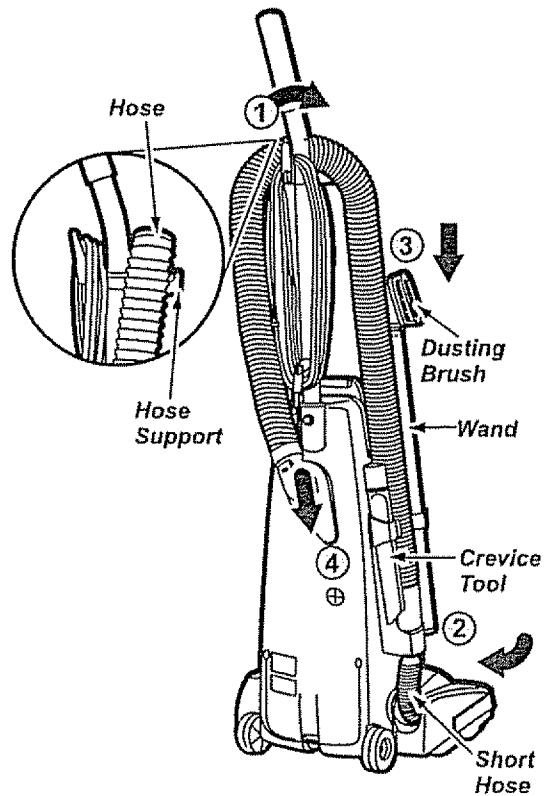


Wrap the power cord around the upper and lower cord hooks.

## ATTACHMENT ASSEMBLY

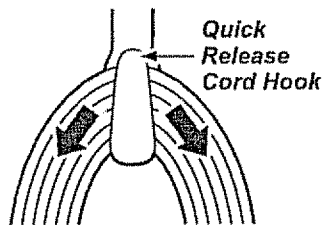
After the handle has been assembled to the body and the power cord has been wrapped around the cord hooks, the attachments can be assembled.

1. The hose can then be routed in front of the handle and over the hose support.
2. The hose can then be placed over the end of the short hose, twisting as you push down.
3. The dusting brush can be placed on the wand and placed in the holder in front of the hose with the brush portion up.
4. The crevice tool can be slipped down into the holder beside the wand.



## OPERATING INSTRUCTIONS

### HOW TO START



1. Turn the quick release cord hook to either side and down to release the power cord.

2. Release the power cord plug from the power cord and pull the cord off the quick release cord hook. Check to be sure the power cord is still locked into the locking notch in the quick release cord hook.

3. Check to see if the cleaner has bag installed. See DUST BAG CHANGING.



### WARNING

**Personal Injury and Product Damage Hazard**

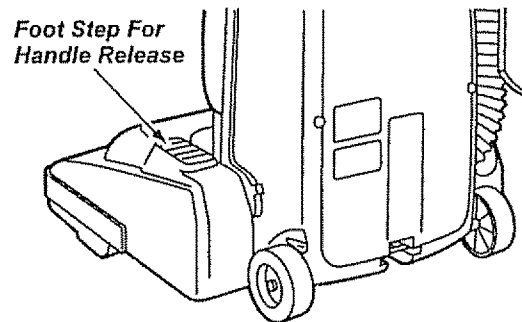
- **DO NOT** plug in if switch is in the ON position. Personal injury or damage could result.
- **DO NOT** use outlets above counters. Damage to items in surrounding area could occur.

**NOTE:** To reduce the risk of electric shock, this vacuum cleaner has a polarized plug, one blade is wider than the other. This plug will fit in a polarized outlet only one way. If the plug does not fit fully in the outlet, reverse the plug. If it still does not fit, contact a qualified technician to install the proper outlet. Do not change the plug in any way.

4. Plug the polarized power cord into a 120 Volt outlet located near the floor.

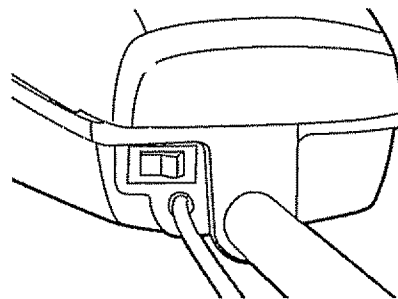
### RELEASING THE HANDLE

To release the handle, place your foot on the foot step for handle release and pull back on the handle until it releases from its upright position. Raising the handle up will catch the handle support spring and hold the handle in the upright position.



### ON/OFF SWITCH

With your left hand reach down and push the On/Off switch to the right. The cleaner will now start. To shut the cleaner off, reach down and push the switch to the left.



## ATTACHMENTS



### WARNING

#### Personal Injury Hazard

DO NOT place hands or feet underneath the unit when inserting the hose. When using the attachments, the agitator begins rotating. Do not allow the cleaner to remain in just one place for a period of time, as the agitator may damage the floor surface. Avoid placing the cleaner on furniture, the fringed area of rugs, deep pile carpeting, or carpeted stairs. The ideal position for the cleaner when using attachments is for the unit to be on a level area with the handle in the FULL UPRIGHT position.

### TO USE ATTACHMENTS:

Place the cleaner on a flat surface.

The hose can be pulled off the short hose by grasping the cuff and twisting while pulling up.

The attachments can be added to the hose if the item to be cleaned is not far from the cleaner.



### CAUTION

DO NOT pull the vacuum cleaner around the room by the hose. Property damage could result.

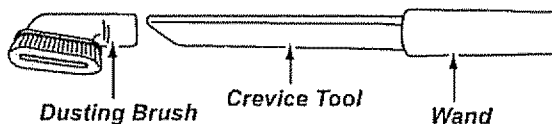
If more reach is needed, the wand can be attached to the hose and the attachments can be added to the wand.



### CAUTION

When using attachments, be careful not to overextend the hose length when reaching. Trying to reach beyond the hose reach could cause the cleaner to tip over.

If the dusting brush is being used and more distance is needed, the crevice tool can be added to the wand, then the dusting brush can be added to the crevice tool.



### TO STORE ATTACHMENTS



Return the hose to its position on the short hose and the attachments to their holders.



### CAUTION

Attachments used in dirty areas, such as under a refrigerator, should not be used on other surfaces until they are washed. They could leave marks.

## ATTACHMENT USE CHART

ATTACHMENT	CLEANING AREA				
	Furniture*	Between Cushions*	Drapes*	Stairs	Walls
DUSTING BRUSH 	X		X	X	X
CREVICE TOOL 	X	X		X	

The motor protector may open when using attachments or when cleaning new carpet due to reduced air flow by the attachments themselves or by new carpet fuzz filling the bag quickly.

\*Always clean attachments before using on fabrics.

## VACUUMING TIPS



### WARNING

#### Personal Injury Hazard

Use care if vacuum cleaner is placed on stairs. If it falls, personal injury or property damage could result.

#### Carpet edges.

Guide either side or the front of the nozzle along a baseboard. The full length brushes help remove trapped dirt at carpet edges.

## VACUUM CLEANER CARE

Always follow all safety precautions when cleaning and servicing the vacuum cleaner.



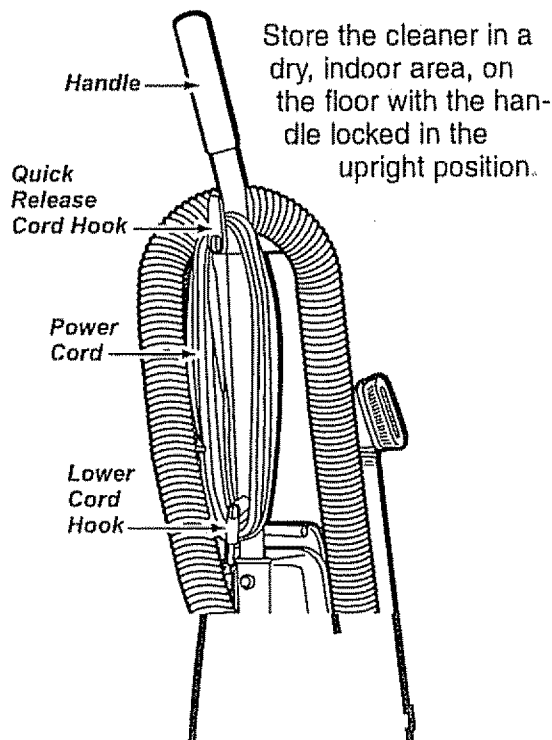
### WARNING

#### Electrical Shock And Personal Injury Hazard

Disconnect electrical supply before servicing or cleaning the unit. Failure to do so could result in electrical shock or personal injury from cleaner suddenly starting.

## VACUUM STORAGE

Gather the power cord and wrap it loosely around the upper and lower cord hooks.



### WARNING

#### Electrical Shock And Personal Injury Hazard

Wrapping the cord too tightly puts stress on the cord and can cause cord damage. A damaged cord is an electrical shock hazard and could cause personal injury or damage.

## CLEANING EXTERIOR AND ATTACHMENTS

Unplug cord from wall outlet. **DO NOT** drip water on cleaner.

Clean exterior using a clean, soft cloth that has been dipped in a solution of mild liquid detergent and water, then wrung dry. Wipe dry after cleaning.

To reduce static electricity and dust build-up, wipe outer surface of cleaner and attachments.

Wash attachments in warm soapy water, rinse and air dry. **Do not clean in dishwasher.**

**DO NOT USE ATTACHMENTS IF THEY ARE WET.**



### CAUTION

**Attachments used in dirty areas, such as under a refrigerator, should not be used on other surfaces until they are washed. They could leave marks.**

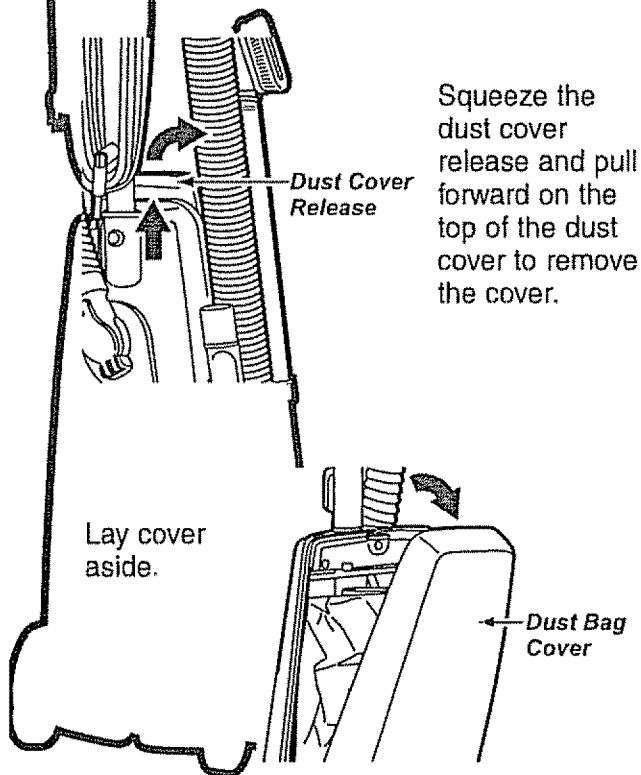
## DUST BAG CHANGING

### TO REMOVE DUST BAG:



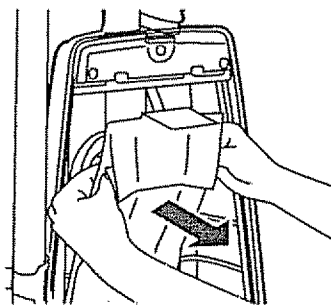
### WARNING

**Always unplug power cord from electrical outlet before performing any service on vacuum.**



Grasp the dust bag collar and pull gently, carefully removing the dust bag.

Throw away the used dust bag. **DO NOT** reuse.

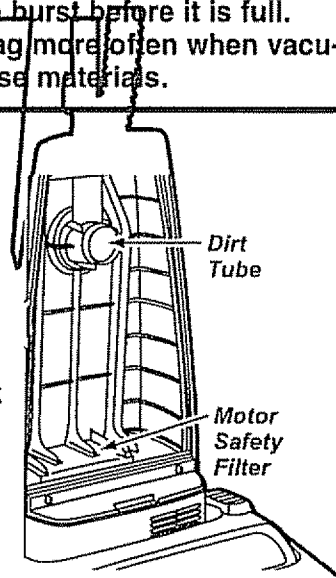


### CAUTION

**NEVER REUSE A DUST BAG.** Very fine materials, such as carpet freshener, face powder, fine dust, plaster, soot, etc. can clog the bag and cause it to burst before it is full. Change bag more often when vacuuming these materials.

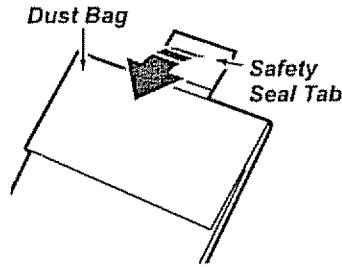
Check the dirt tube and the motor safety filter.

If either is blocked, check the TROUBLESHOOTING chart.



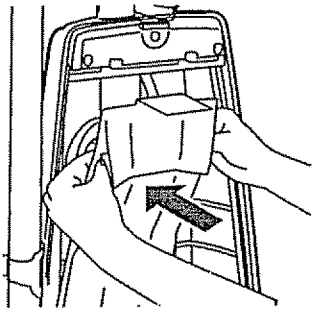
## TO REPLACE BAG:

Fold the safety seal tab on the new dust bag away from the opening that fits on the dirt tube.



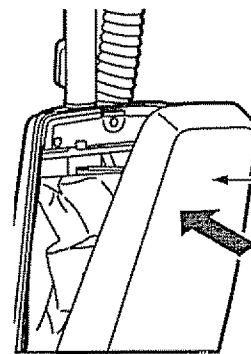
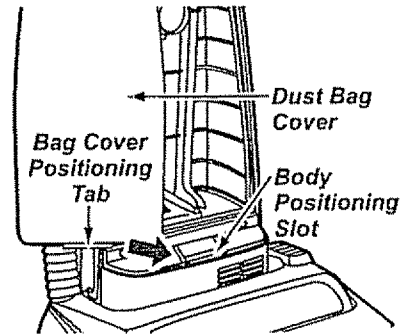
**NOTE:** See PARTS AND FEATURES for Dust Bag #.

Unfold the new dust bag.



Insert the dust bag onto the dirt tube completely by holding the dust bag collar and pushing it onto the dirt tube.

Position the dust bag cover so its positioning tab fits into the body positioning slot.



Close the dust bag cover.

You will hear a distinct snap when cover is securely closed.

## MOTOR SAFETY FILTER CLEANING

Check the motor filter frequently and clean when dirty.



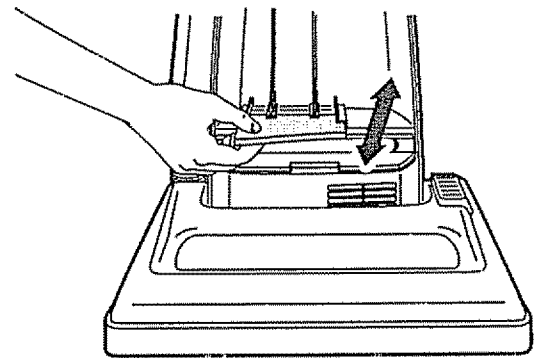
### WARNING

#### Electrical Shock Hazard

Do not operate the cleaner without the motor safety filter. Be sure the filter is dry and properly installed to prevent motor failure and/or electrical shock.

Remove the dust bag as outlined in the DUST BAG CHANGING section.

If the filter, located in the bottom of the dust cover cavity, is dirty, remove it by pulling forward out from under the ribs.



Wash the foam filter in warm soapy water, rinse and dry thoroughly by squeezing the filter in your hand and letting it air dry.

**DO NOT** wash in the dishwasher.

**DO NOT** install damp.

Replace the foam filter by sliding it back into place under the ribs in the dust cover cavity.

Replace the dust bag as outlined in the DUST BAG CHANGING section.

## BELT CHANGING, BRUSH CHANGING AND BRUSH CLEANING



### WARNING

**Electrical Shock Or Personal Injury Hazard**

Disconnect electrical supply before servicing or cleaning the unit. Failure to do so could result in electrical shock or personal injury from cleaner suddenly starting.

Frequently check and remove hair, string and lint build-up in the brush area. If build-up becomes excessive, follow the steps below. Should the belt become loose or should it break, follow the Belt Removal Instructions.

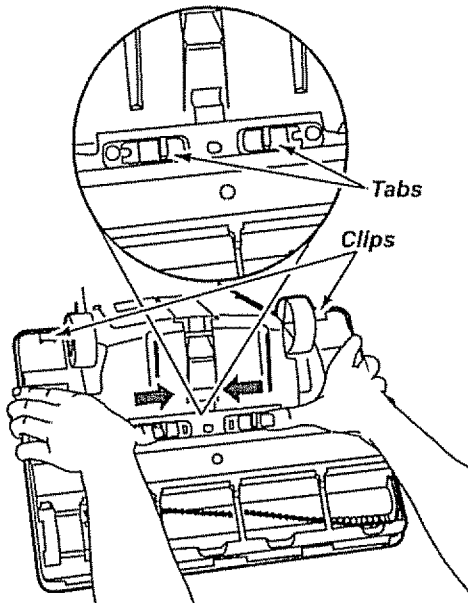
### TO REMOVE LOWER PLATE:

Disconnect electrical supply.

The handle must be lowered and the cleaner turned over.

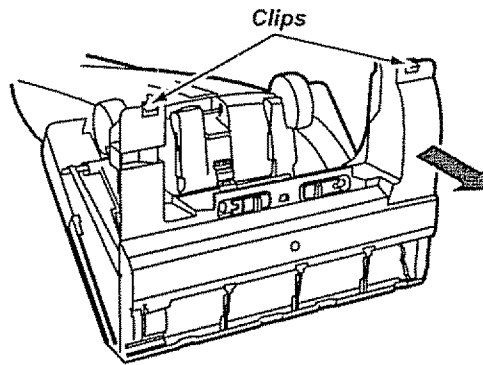
To protect the floor surface, always place paper under the nozzle any time the nozzle cover is removed.

Release the lower plate by pushing the tabs in toward the center.



Grasp the clips at the back and pull forward and up to remove the lower plate.

Brush or remove any residue that may exist in the belt area.

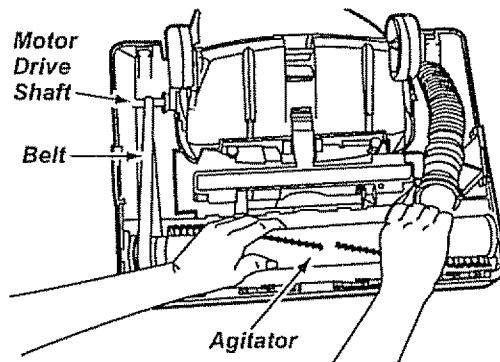


### WARNING

**Personal Injury Hazard**

Always unplug the vacuum cleaner before cleaning the brush area as agitator may suddenly restart. Failure to do so can result in personal injury.

## TO REMOVE BELT/CLEAN BRUSH:



Carefully lift the right end of the agitator assembly and then lift the left end. Remove the agitator assembly.

Remove the belt from the motor drive shaft.



### WARNING

#### Personal Injury Hazard

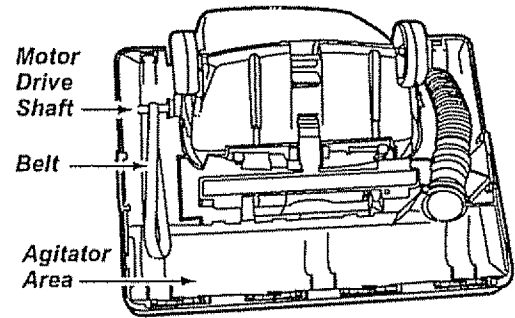
Be careful when removing brush assembly, the belt tension is high. Failure to do so could result in personal injury from brush assembly releasing quickly and snapping away.

**NOTE:** In order to keep cleaning efficiency high and to prevent damage to your vacuum, the brush assembly must be cleaned every time the belt is changed.

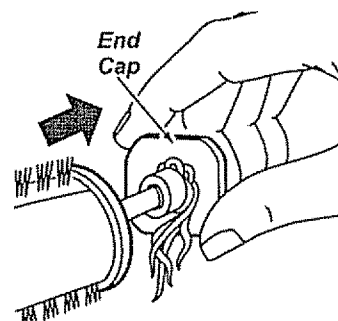
The brush assembly must also be cleaned according to the following schedule:

<u>Vacuum Use</u>	<u>Clean Brush Assembly</u>
<b>HEAVY</b> - (used daily)	every week
<b>MODERATE</b> - (used 2-3 times/week)	every month
<b>LIGHT</b> - (used 1 time/week)	every 2 months

Remove any dirt or debris in the belt path area or in the brush roller area.



Carefully remove the brush end caps and washers to check for string and hair build-up.

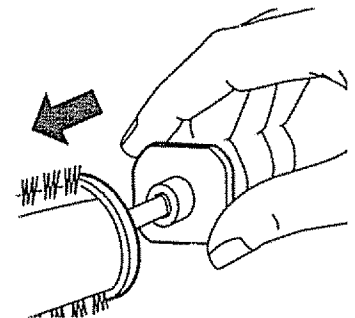


#### NOTE:

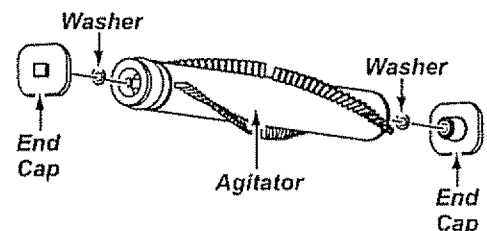
When you remove the end caps, a small washer on each end may come off. **DO NOT** lose these two washers.

Remove any string or debris located on the brush assembly, end caps, washers or agitator shaft.

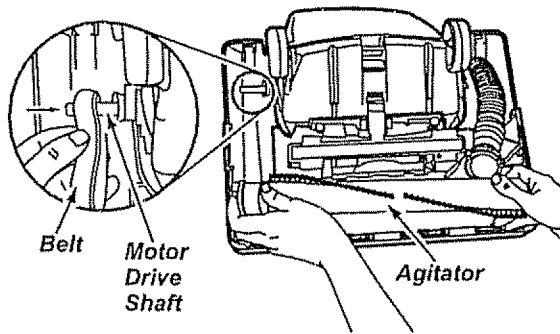
Replace the washers and end caps. See exploded view for correct assembly.



### Exploded View - Brush Assembly



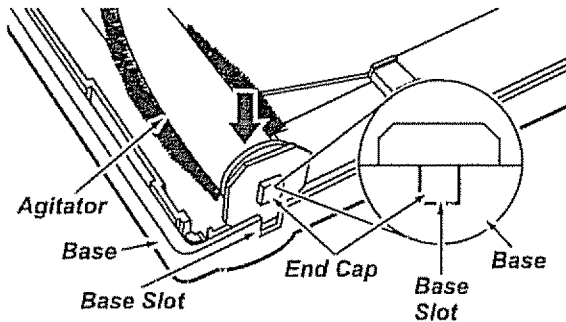
## TO REPLACE BELT:



Loop the new belt on the motor drive shaft.

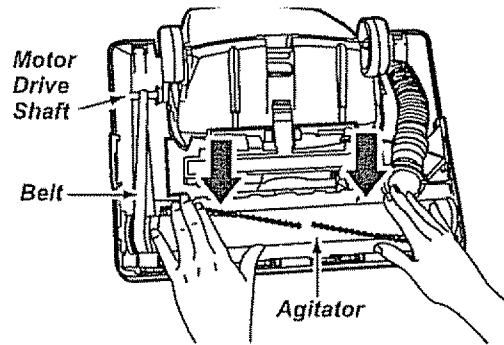
**NOTE:** See PARTS AND FEATURES for Belt #.

Loop the other end of the belt on the belt groove on the brush assembly.



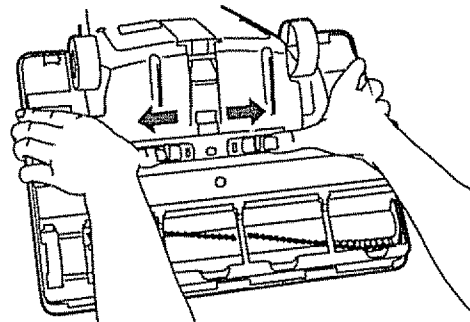
Align the square extension on each end cap with the slots in the frame of the base.

Press firmly, checking to see that each end is completely inserted.



Check to see that the belt is centered in the belt groove and that the brush assembly turns freely.

Reinstall the lower plate by placing the front tabs on the plate into the slots on the nozzle housing and pushing the plate to the rear until the back clips snap into place. Pull the tabs to the outside.



Return the cleaner to the upright position before plugging into the electrical outlet.

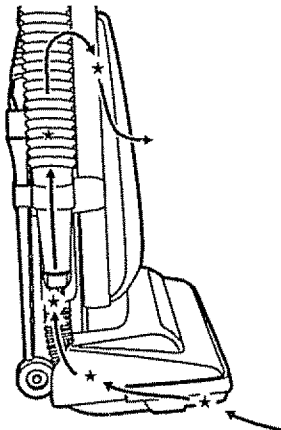
## CLOG REMOVAL



### WARNING

**Electrical Shock Or Personal Injury Hazard**

Disconnect electrical supply before servicing or cleaning the unit. Failure to do so could result in electrical shock or personal injury from cleaner suddenly starting.

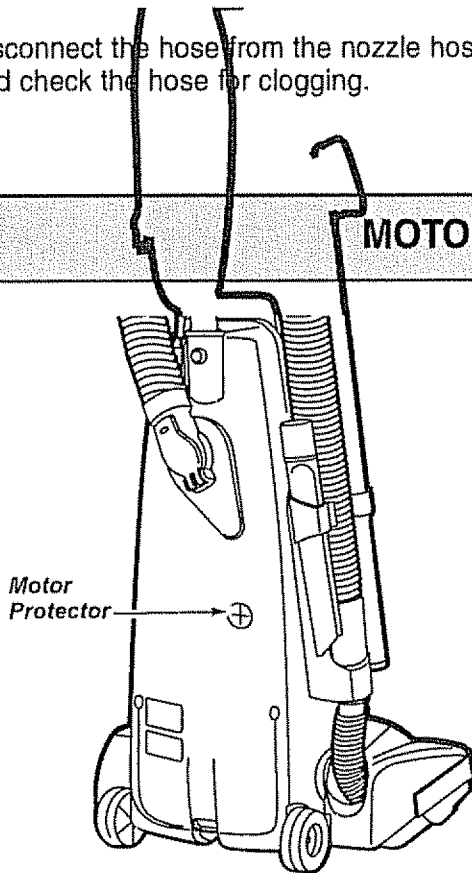


For best cleaning results, keep the airflow passage clear.

Unplug the power cord from the outlet before checking the airflow passage.

Check each starred area occasionally for clogs.

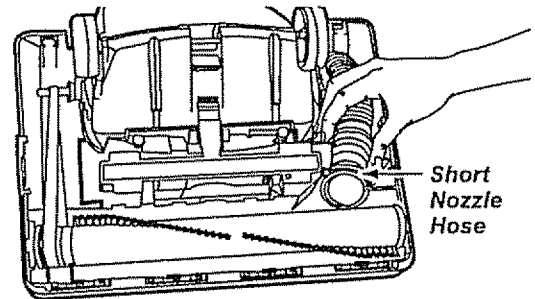
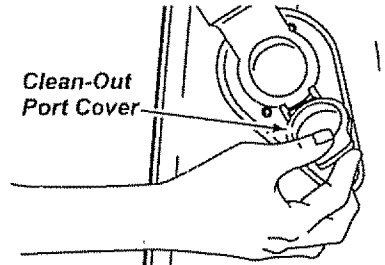
Disconnect the hose from the nozzle hose and check the hose for clogging.



## MOTOR PROTECTOR

While running the vacuum cleaner with the wand disconnected, stretch the hose in and out to remove the clog.

Pull down on the clean-out port cover and check for clogging in this area.



If the clog still exists, turn the vacuum OFF and unplug the power cord. Turn the vacuum cleaner over, exposing the underside. Remove the short nozzle hose from the housing by lifting it straight up. Inspect the hose end and clear it of any obstructions. Reinstall the short nozzle hose and lower plate.

This vacuum has a motor protector by-pass valve which automatically opens to provide cooling air to the motor when a clog prevents the normal flow of air. If the by-pass valve opens to prevent motor overheating and possible damage to the vacuum, a change of sound will be noticed as air rushes through the valve opening. If this occurs, turn the vacuum off and unplug the power cord from the outlet. Then check for clogs as described under the CLOG REMOVAL section.

The motor protector by-pass valve may open when using attachments or when cleaning new carpet, due to reduced air flow by the attachments themselves or by new carpet fuzz filling the bag quickly.

## TROUBLESHOOTING

Review this chart to find do-it-yourself solutions for minor performance problems. Any service needed, other than those described in this owner's manual, should be performed by an authorized service representative.



### **WARNING** Electrical Shock Hazard

Disconnect electrical supply before servicing or cleaning the unit. Failure to do so could result in electrical shock or personal injury.

PROBLEM	POSSIBLE CAUSE	POSSIBLE SOLUTION
Cleaner won't run.	<ol style="list-style-type: none"> <li>1. Unplugged at wall outlet.</li> <li>2. Tripped circuit breaker/blown fuse at household service panel.</li> <li>3. ON/OFF switch not turned ON.</li> </ol>	<ol style="list-style-type: none"> <li>1. Plug in firmly, push ON/OFF switch to ON.</li> <li>2. Reset circuit breaker or replace fuse.</li> <li>3. Push ON/OFF switch to ON.</li> </ol>
Poor job of dirt pick-up.	<ol style="list-style-type: none"> <li>1. Full or clogged dust bag</li> <li>2. Worn brush.</li> <li>3. Clogged nozzle hose.</li> <li>4. Clogged hose or wand.</li> <li>5. Hole in hose.</li> <li>6. Broken belt.</li> <li>7. Hose not inserted fully</li> <li>8. Crevice tool left on wand</li> </ol>	<ol style="list-style-type: none"> <li>1. Change bag, (pages 10-11).</li> <li>2. Replace brush, (page 12-14).</li> <li>3. Clean nozzle hose, (page 15).</li> <li>4. Clean hose, (page 15).</li> <li>5. Replace hose.</li> <li>6. Replace belt, (pages 12-14).</li> <li>7. Insert hose or wand, (page 6).</li> <li>8. Remove wand and properly store.</li> </ol>
Dust escapes the paper bag.	<ol style="list-style-type: none"> <li>1. Check for proper installation of bag.</li> <li>2. Bag torn.</li> <li>3. Bag cover improperly installed.</li> </ol>	<ol style="list-style-type: none"> <li>1. Check instructions, (pages 10-11).</li> <li>2. Replace bag.</li> <li>3. Check instructions, (pages 10-11).</li> </ol>
Air flow restricted with attachment use. Sound changes.	<ol style="list-style-type: none"> <li>1. Attachment use restricts air flow</li> <li>2. New carpet fuzz clogged air path.</li> </ol>	<ol style="list-style-type: none"> <li>1. Check use instructions, (page 8).</li> <li>2. Check instructions and clean hose, (page 15).</li> </ol>

## Get it fixed, at your home or ours!

For repair of major brand appliances **in your own home . . .**  
no matter who made it, no matter who sold it!

**1-800-4-MY-HOME<sup>®</sup>** Anytime, day or night  
(1-800-469-4663) (U.S.A. and Canada)  
[www.sears.com](http://www.sears.com) [www.sears.ca](http://www.sears.ca)

For repair of carry-in products like vacuums, lawn equipment, and electronics, call for the nearest **Sears Parts and Repair Center.**

**1-800-488-1222** Anytime, day or night (U.S.A. only)  
[www.sears.com](http://www.sears.com)

For the replacement parts, accessories and owner's manuals that you need to do-it-yourself, call **Sears PartsDirect<sup>SM</sup>**

**1-800-366-PART** 6 a.m. – 11 p.m., 7 days a week  
(1-800-366-7278) (U.S.A. only)  
[www.sears.com/partsdirect](http://www.sears.com/partsdirect)

To purchase or inquire about a Sears Service Agreement or Sears Maintenance Agreement:

**1-800-827-6655** (U.S.A.) **1-800-361-6665** (Canada )  
7 a.m. – 5 p.m., CST, Mon. – Sat. 9 a.m. – 8 p.m. EST, M – F, 4 p.m. Sat.

Para pedir servicio de reparación a domicilio, y para ordenar piezas:  
**1-888-SU-HOGAR<sup>SM</sup>**  
(1-888-784-6427)

Au Canada pour service en français:  
**1-800-LE-FOYER<sup>MC</sup>**  
(1-800-533-6937)  
[www.sears.ca](http://www.sears.ca)



© Sears, Roebuck and Co.

® Registered Trademark / <sup>TM</sup> Trademark / <sup>SM</sup> Service Mark of Sears, Roebuck and Co.

© Marca Registrada / <sup>TM</sup> Marca de Fábrica / <sup>SM</sup> Marca de Servicio de Sears, Roebuck and Co.

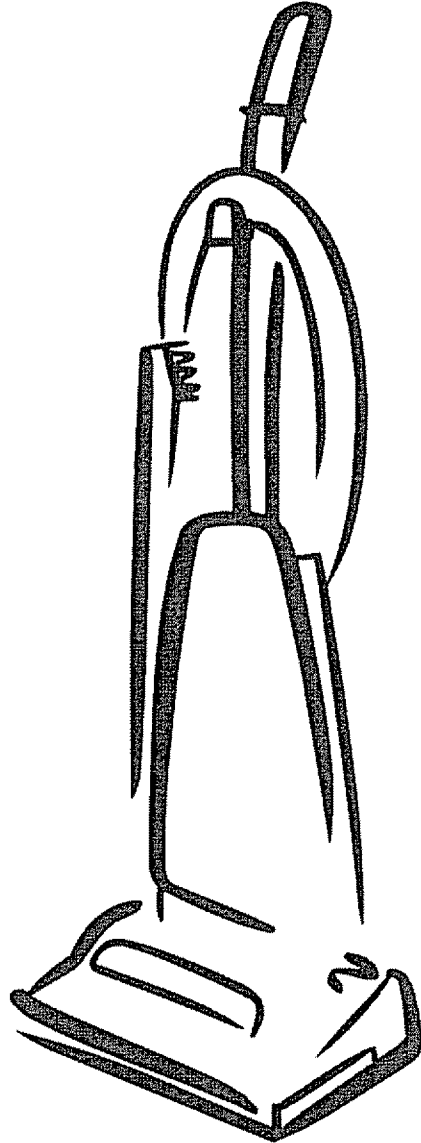
<sup>MC</sup> Marque de commerce / <sup>MD</sup> Marque déposée de Sears, Roebuck and Co.

# Manual Del Propietario



## Aspiradora

Modelo 116.31079  
116.38079  
116.39079



### **CUIDADO:**

Lea y sigue todas las instrucciones de operación y seguridad antes del uso de este producto.

Sears, Roebuck and Co., Hoffman Estates, IL 60179 U.S.A.  
[www.sears.com](http://www.sears.com)

## TABLA DE CONTENIDO

Antes de usar su aspiradora nueva . . . . .	2	Almacenamiento de la aspiradora . . . . .	9
Garantía de la aspiradora de Kenmore . . . . .	2	Limpieza del exterior y de los accesorios . . . . .	10
Instrucciones importantes de seguridad . . . . .	3	Cambio de la bolsa para polvo . . . . .	10-11
Piezas y características . . . . .	4	Limpieza del filtro de seguridad del motor . . . . .	11
Instrucciones de ensamblamiento . . . . .	5-6	Cambio de la correa cambio del cepillo y limpieza del cepillo . . . . .	12-14
Instrucciones de operación . . . . .	7	Cómo eliminar los residuos de basura en los conductos . . . . .	15
Desprendimiento del mango . . . . .	7	Protector de motor . . . . .	15
Interruptor de encendido/apagado . . . . .	7	Reconocimiento de problemas . . . . .	16
Accesorios . . . . .	8	Información de asistencia o servicio . . . . .	17
Cuadro de uso de los accesorios . . . . .	8		
Sugerencias para aspirar . . . . .	9		
Cuidado de la aspiradora . . . . .	9		

## ANTES DE USAR SU ASPIRADORA NUEVA

Por favor lea esta guía que le ayudara a ensamblar y operar su aspiradora nueva de Kenmore en una manera más segura y efectiva.

Para mas información acerca del cuidado y operación de esta aspirador, llame a su tienda Sears mas cercana. Cuando preunte por información usted necisitará el número completo de serie y modelo de la aspiradora que está locado en la placa de los números de modelo y serie.

Use el espacio de abajo para registrar el número de modelo y serie para su nueva aspiradora de Kenmore.

Número de Modelo \_\_\_\_\_

Número de Serie \_\_\_\_\_

Fecha de Compra \_\_\_\_\_

Matenga este libro y su recibo en u lugar seguro para referencias futuras.

## GARANTIA DE LA ASPIRADORA DE KENMORE

### GARANTÍA LIMITADA DE UN AÑO DE LA ASPIRADORA KENMORE

Esta garantía es por un año desde la fecha de compra, e incluye solamente el uso de la aspiradora en hogares privados. Durante el año de garantía, cuando la aspiradora es operada y mantenida de acuerdo al manual de instrucciones del dueño, Sears reparará cualquier defecto en materiales o fabricación libre de cargo.

Esta garantía excluye las bolsas de colección, correas, lamparillas, y filtros, las cuales son partes gastables que se deterioran con el uso normal.

**Para el servicio de garantía, retorne esta aspiradora al Centro de Servicio Sears más cercano en los Estados Unidos.**

Esta garantía se aplica solamente mientras este producto está en uso en los Estados Unidos. Esta garantía le da a usted derechos legales específicos, y usted puede tener también otros derechos los cuales varían de estado a estado.

Sears, Roebuck and Co., D/817 WA, Hoffman Estates, IL 60179



# INSTRUCCIONES IMPORTANTES DE SEGURIDAD



## ADVERTENCIA

Su seguridad es muy importante para nosotros. Para reducir el riesgo de incendio, choque eléctrico, lesión corporal o daños al utilizar su aspiradora, actúe de acuerdo con precauciones básicas de seguridad, entre ellas:

Lea este manual antes de armar o utilizar su aspiradora.

Use su aspiradora únicamente en la forma descrita en este manual. Use únicamente con accesorios recomendados por Sears.

Para reducir el riesgo de choque eléctrico, no use su aspiradora al aire libre ni sobre superficies mojadas.

Desconecte la fuente de electricidad antes de dar servicio o limpiar. De lo contrario podría causar un choque eléctrico o lesión corporal.

Siempre debe apagar su aspiradora antes de desconectarla.

No desconecte la aspiradora tirando del cordón eléctrico. Para desconectarla, hale el enchufe, no el cordón.

No use la aspiradora si el cordón o el enchufe está dañado. Si la aspiradora no está funcionando adecuadamente o si se ha dejado caer, está dañada, se ha dejado expuesta a la intemperie o se ha dejado caer en agua, devuélvala a un Centro/ Departamento de servicio de Sears.

No hale ni transporte la aspiradora por el cordón; no use el cordón como mango; no cierre puertas sobre el cordón; no hale el cordón sobre rebordes agudos ni esquinas. No pase la aspiradora sobre el cordón. Mantenga el cordón alejado de superficies calientes.

No abandone la aspiradora cuando esté conectada. Desconéctela cuando no la esté usando y antes de darle servicio.

No permita que sea utilizada como juguete. Se requiere tener mayor cuidado cuando sea utilizada en la proximidad de niños o por niños.

No toque la aspiradora ni el enchufe con las manos mojadas.

No coloque objetos en las aberturas.

No utilice la aspiradora si alguna abertura está bloqueada; manténgala libre de polvo, pelusa, cabellos y cualquiera cosa que podría disminuir el flujo de aire.

Mantenga el cabello, ropa suelta, dedos y todas las partes del cuerpo alejados de las aberturas y piezas mecánicas.

No use la aspiradora sin tener instalada la bolsa para polvo y/o los filtros.

Cambie siempre la bolsa para polvo después de aspirar limpiadores de alfombras o desodorantes, talcos y polvos finos. Estos productos atascan la bolsa, reducen el flujo de aire y pueden causar que ésta se rompa. Si no cambia la bolsa podría ocasionar daño permanente a la aspiradora.

No use la aspiradora para levantar objetos agudos, juguetes pequeños, alfileres, sujetapapeles, etc. Podrían dañar la aspiradora o la bolsa para polvo.

No levante ninguna cosa que se esté quemando o emitiendo humo, como cigarrillos, cerillos o cenizas calientes.

No use la aspiradora para aspirar líquidos inflamables o combustibles (gasolina, líquidos para limpieza, perfumes, etc.) ni la use en lugares donde éstos podrían estar presentes. Los vapores de estas sustancias pueden crear un peligro de incendio o explosión.

Tenga cuidado especial al utilizar la aspiradora en escalones. No la coloque sobre sillas, mesas, etc. Manténgala en el piso.

Usted es responsable de asegurar que su aspiradora no sea utilizada por ninguna persona que no pueda manejarla correctamente.

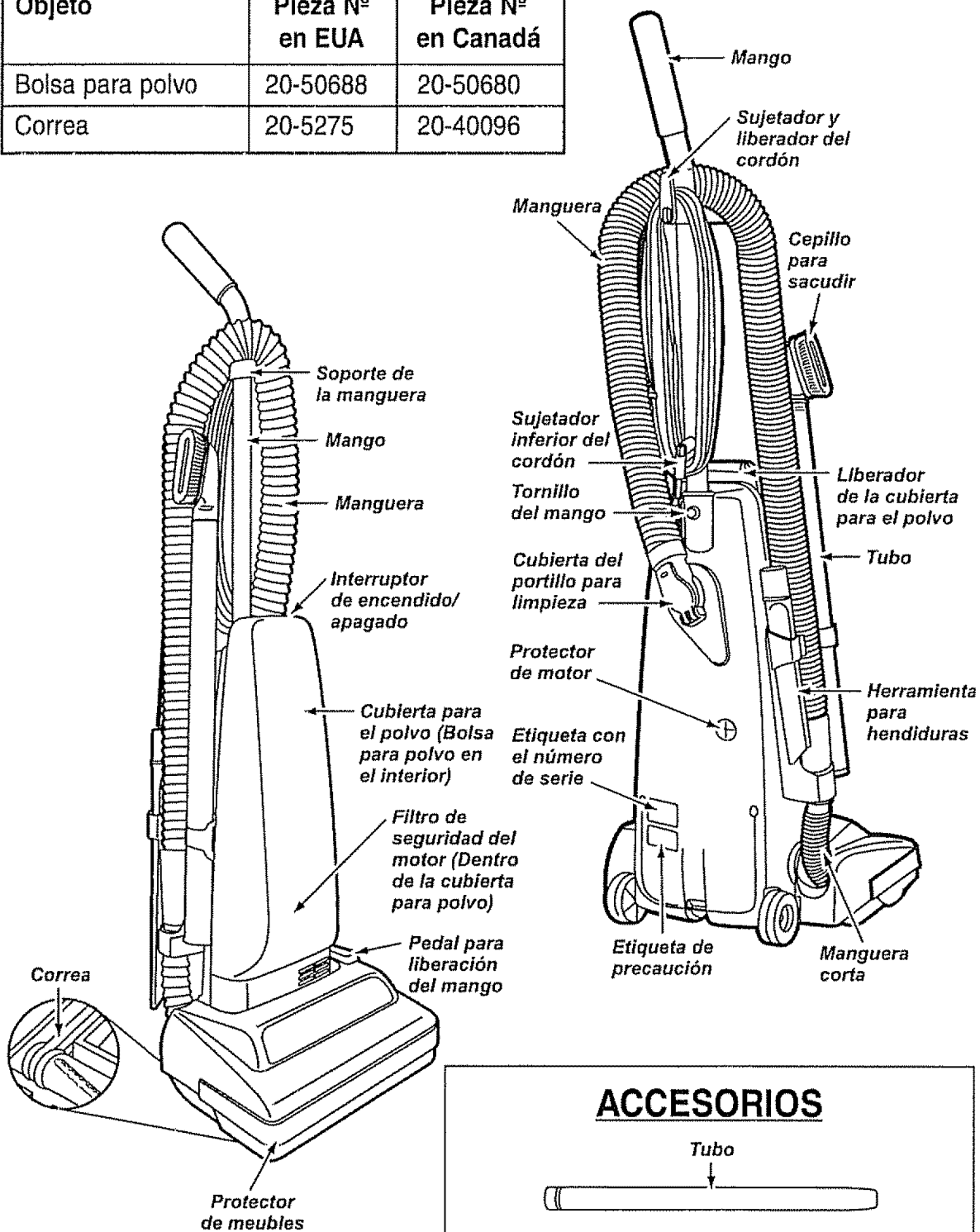
## GUARDE ESTAS INSTRUCCIONES

El armado y uso seguro de su aspiradora son su responsabilidad. Esta aspiradora ha sido diseñada exclusivamente para uso doméstico. La aspiradora deberá almacenarse en un lugar seco y en el interior. Lea este Manual del propietario detenidamente, pues contiene información importante sobre seguridad y uso. Esta guía contiene información sobre seguridad debajo de símbolos de advertencia y cuidado. Por favor ponga atención especial a estas instrucciones dadas. **Advertencia:** Esta información le alertará con el peligro de fuego, choques eléctricos, quemaduras y lesiones. **Cuidado:** Esta información le alertará a peligros como lesiones y daños de propiedad.

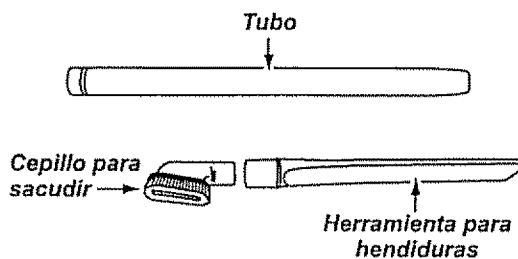
## PIEZAS Y CARACTERÍSTICAS

Es importante conocer las piezas y características de su aspiradora para asegurar su uso adecuado y seguro. Examinelas antes de usar su aspiradora.

Objeto	Pieza N° en EUA	Pieza N° en Canadá
Bolsa para polvo	20-50688	20-50680
Correa	20-5275	20-40096



### ACCESORIOS



## INSTRUCCIONES DE ENSAMBLAMIENTO

Antes de armar la aspiradora, chequee la LISTA DE EMBALAJE en la cubierta separada de la Lista de Partes para Reparación. Use esta lista para verificar que ha recibido todas las componentes de su nueva aspiradora Kenmore.

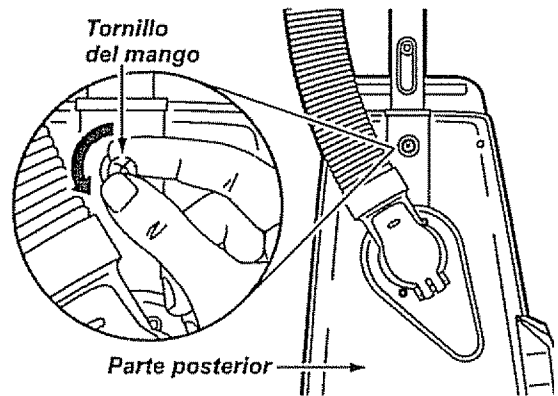
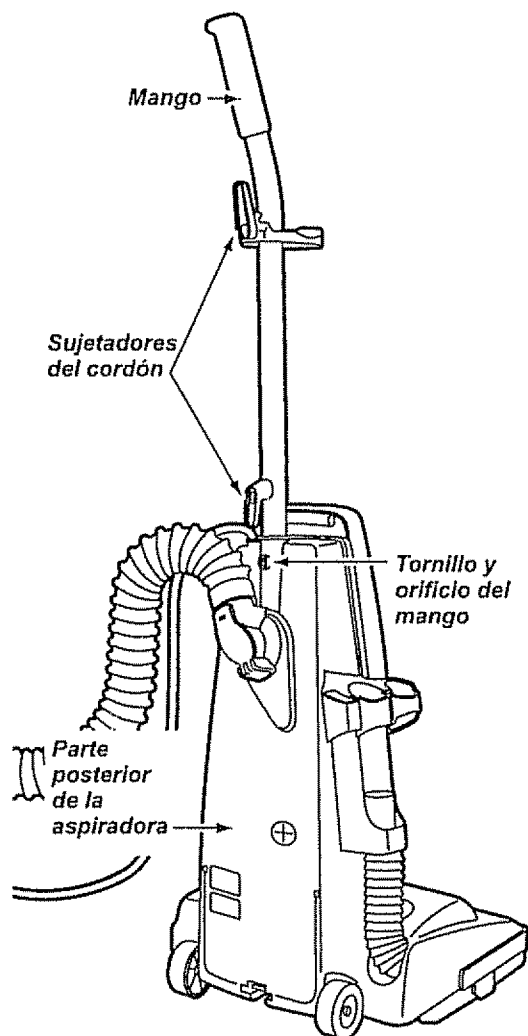


### ADVERTENCIA

**Peligro de choque eléctrico**

No conecte la aspiradora hasta que termine de armarla. De lo contrario podría causar un choque eléctrico o lesión corporal.

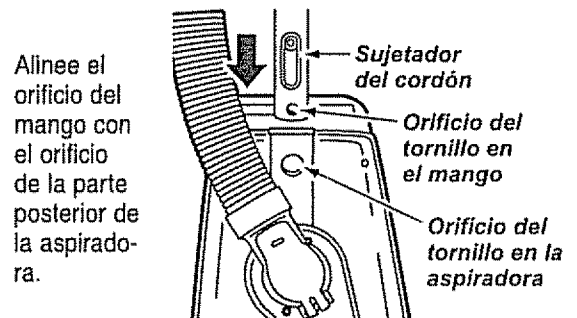
## MONTAJE DEL MANGO



Quite el tornillo del mango localizado justo debajo del borde superior de la parte posterior de la aspiradora (ver ilustración de arriba).

Coloque el mango de manera que los sujetadores del cordón apunten hacia la parte posterior de la aspiradora.

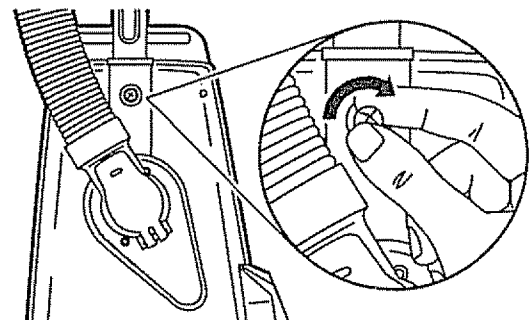
Inserte el mango en la abertura de la parte superior de la aspiradora.



Alinee el orificio del mango con el orificio de la parte posterior de la aspiradora.

Inserte el tornillo en el mango después de haber atravesado la parte posterior de la aspiradora.

Empiece a apretar el tornillo con los dedos. Quizá sea necesario ajustar un poco el mango.





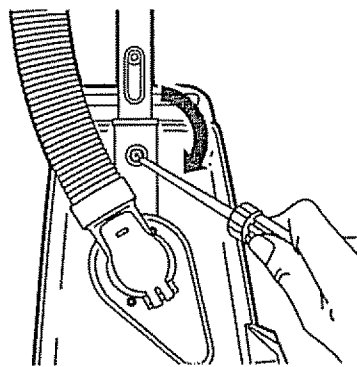
## CUIDADO

No apriete demasiado el tornillo.

Si lo aprieta demasiado podría arruinar los orificios para el tornillo.

No opere la aspiradora sin tener instalado el tornillo.

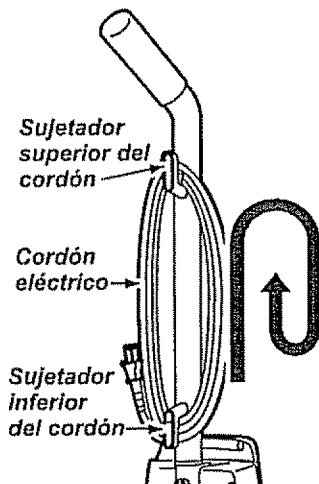
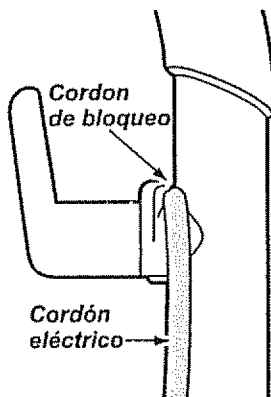
Apriete el tornillo con un destornillador.



## COLOCACIÓN DEL CORDÓN

Asegúrese de que el sujetador superior del cordón de liberación rápida se encuentre en posición vertical. Quite el alambre con el que está atado el cordón eléctrico.

Fije el cordón en posición, forzándolo en la ranura de bloqueo ubicada en el cuerpo del sujetador de liberación rápida del cordón, como se muestra. Esto ayuda a que el cordón no se enrede debajo del agitador de la aspiradora.

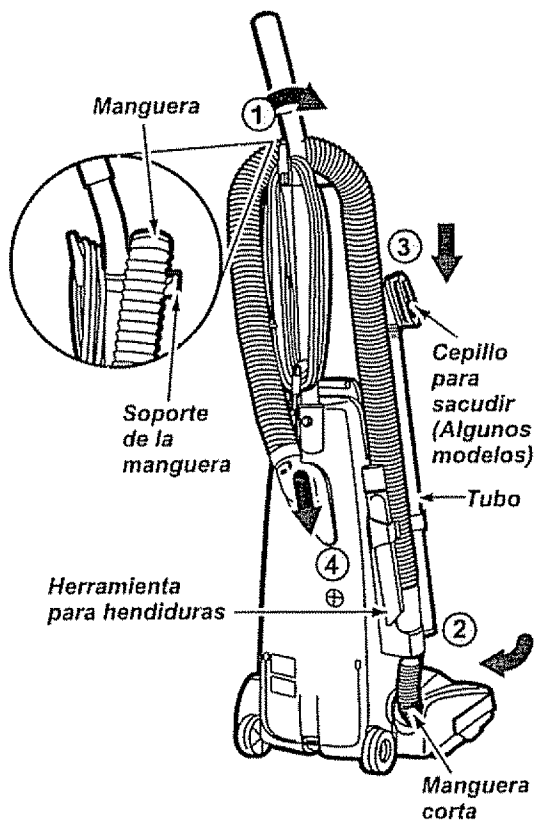


Quite el alambre con el que está atado el cordón eléctrico. Enrolle el cordón en los sujetadores superior y inferior.

## COLOCACIÓN DE LOS ACCESORIOS

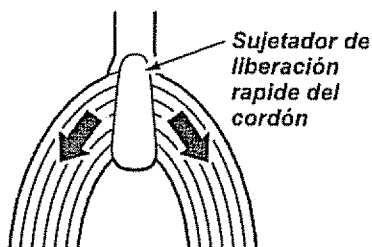
Una vez que se haya colocado el mango a la unidad y el cordón eléctrico haya sido enrollado en los sujetadores, se podrá proceder a colocar las piezas.

1. El manguera pueden entonces pasarse por el frente del mango para que descansen sobre el soporte de la manguera.
2. A continuación, se puede meter el manguera en el extremo de la manguera corta, girando a medida que se va introduciendo.
3. La boquilla para polvo se puede colocar en el tubo y puede sujetador al frente del manguera, con el cepillo apuntando hacia arriba.
4. La boquilla para huecos reducidos se coloca en el soporte correspondiente junto al tubo.



## INSTRUCCIONES DE OPERACIÓN

### PARA COMENZAR



1. Gire el sujetador del cordón de lado a lado y hacia abajo para liberar el cordón eléctrico.

2. Desprenda el enchufe del cordón eléctrico y quite el cordón del sujetador superior. Compruebe que el cordón eléctrico sigue fijado en la ranura de bloqueo del sujetador superior.

3. Verifique que la aspiradora tenga instalada una bolsa. Consulte la CAMBIO DE LA BOLSA PARA POLVO.



### ADVERTENCIA

Peligro de lesión personal y daño al producto

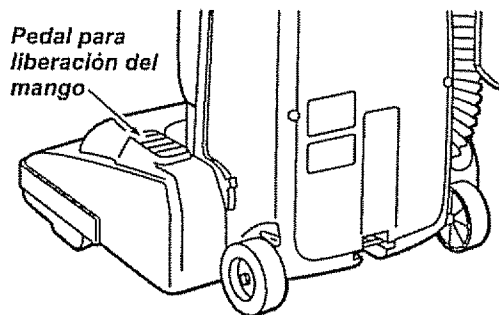
- NO conecte la aspiradora si el interruptor está en la posición ON. Podría resultar en lesión personal o daño.
- NO use los enchufes localizados sobre los muebles. Los objetos cercanos podrían resultar dañados.

**NOTA:** Para reducir el riesgo de choque eléctrico, esta aspiradora cuenta con una clavija polarizada, uno de los contactos es más ancho que el otro. La clavija sólo puede introducirse de una manera en el enchufe. Si la clavija no cabe bien en el enchufe, inviértala. Si aún no cabe, llame a un electricista para que instale un enchufe correcto. No altere la clavija de ninguna manera.

4. Conecte el cordón eléctrico polarizado en un enchufe de 120 voltios que se encuentre cerca del piso.

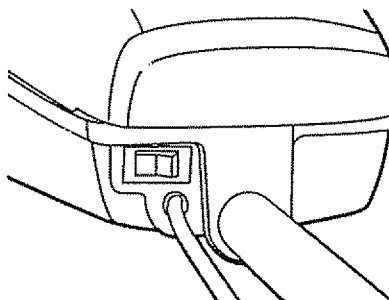
### DESPRENDIMIENTO DEL MANGO

Suelte el mango por pisar en el pedal de liberación y tirarlo hacia atrás hasta que libere de su posición vertical. Levante el mango hasta que el mecanismo de soporte lo sostenga en posición vertical.



### INTERRUPTOR DE ENCENDIDO/APAGADO

Oprima con la mano izquierda el botón de encendido/apagado (On/Off) hacia la derecha. La aspiradora comenzará a funcionar.



## ACCESORIOS



### ADVERTENCIA

**Peligro de lesión personal**

No ponga las manos o los pies debajo de la máquina cuando añada la manguera. Mientras se usan los accesorios, la agitadora empieza a girar. No deje que la aspiradora se quede en un sólo lugar por un periodo extendido, porque la agitadora puede hacer daño a la superficie del suelo. No ponga la aspiradora encima de muebles, en el fleco de la alfombra, en una alfombra de pelo largo, ni en escaleras alfombradas. La posición ideal para la aspiradora cuando se usan los accesorios está en un área plana con el mango en la posición vertical.

### COMO UTILIZAR LOS ACCESORIOS

Coloque la aspiradora en una superficie plana.

La manguera pueden sacarse de la manguera corta tomándolos por el extremo y tirando hacia arriba.

Los accesorios se pueden conectar a la manguera si el objeto que se desea limpiar no está lejos de la aspiradora.



### CUIDADO

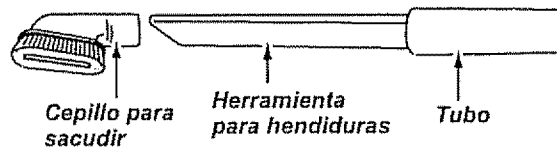
**NO** tire de la aspiradora por la manguera en la habitación. Podrían ocurrir daños a sus pertenencias.



### CUIDADO

Al utilizar los accesorios para limpiar, tenga cuidado de no sobrepasar el alcance de la manguera. Si lo hace, podría ocasionar que la aspiradora se calga.

Si utiliza el cepillo para polvo y necesita más alcance, puede conectar la boquilla para huecos reducidos al tubo y el cepillo para polvo en la boquilla para huecos reducidos.



### ALMACENAJE DE LOS ACCESORIOS



Devuelva la manguera a su lugar en la manguera corta y las herramientas a su soporte.



### CUIDADO

Asegúrese de limpiar los accesorios después de utilizarlos en áreas sucias, debajo del refrigerador, antes de usarlos en otras superficies, ya que podrían dejar marcas.

## CUADRO DE USO DE LOS ACCESORIOS

ACCESORIO	ÁREA A LIMPIAR				
	Muebles*	Entre colijines*	Cortinas*	Escalones	Paredes
CEPILLO PARA SACUDIR 	X		X	X	X
HERRAMIENTA PARA HENDIDURAS 	X	X		X	

La válvula de desviación puede estar abierta mientras se usan los accesorios o para limpiar una alfombra nueva a causa de un flujo reducido de aire por los accesorios mismos o por la pelusa de la alfombra que llene la bolsa rápidamente.

\* Siempre limpie los accesorios antes de usar sobre telas.

## SUGERENCIAS PARA ASPIRAR



### ADVERTENCIA

**Peligro de lesión personal**

Actúe con precaución si coloca la aspiradora sobre escalones. Si se cae, podría causar lesión personal o daño a la propiedad.

Orillas de alfombras.

Guíe uno de los costados o la parte anterior de la boquilla a lo largo del borde de la pared. Los cepillos largos ayudan a aspirar la tierra atrapada en las orillas de las alfombras.

## CUIDADO DE LA ASPIRADORA

Siga siempre todas las instrucciones de seguridad al limpiar y darle servicio a su aspiradora.



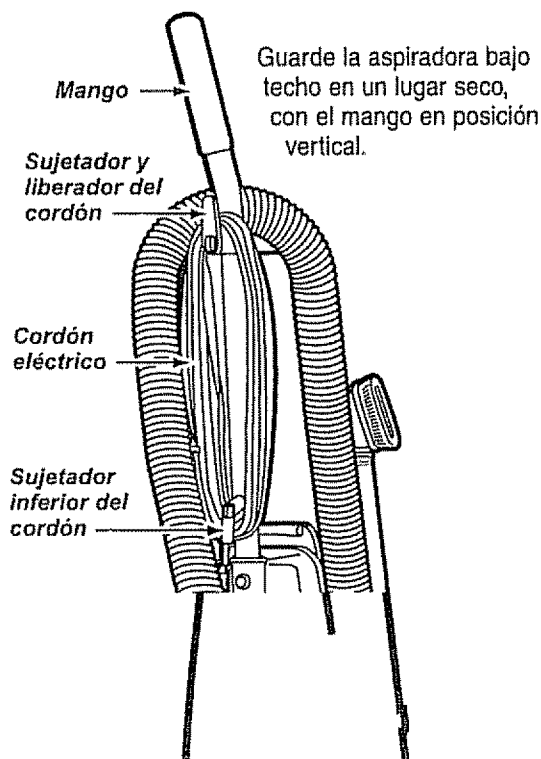
### ADVERTENCIA

**Peligro de choque eléctrico o lesión corporal**

Desconecte la unidad antes de limpiarla o darle servicio. De lo contrario podría producirse un choque eléctrico o causar lesión corporal si la aspiradora arranca de manera imprevista.

## ALMACENAMIENTO DE LA ASPIRADORA

Recoja el cordón eléctrico y enróllelo en los sujetadores superior e inferior, sin que quede muy apretado.



### ADVERTENCIA

**Peligro de choque eléctrico o lesión corporal**

Si enrolla el cordón muy apretado puede tensarlo mucho y causarle daños. De dañarse, el cordón podría causar descargas eléctricas y lesiones o daños personales.

## LIMPIEZA DEL EXTERIOR Y DE LOS ACCESORIOS

Desconecte el cordón eléctrico de la clavija de la pared. **NO choree agua sobre la aspiradora.**

Limpie el exterior con un trapo suave y limpio, que ha sido exprimido después de remojar en una solución de agua y detergente líquido ligero. Seque el exterior con un trapo seco después de limpiar.

Limpie la superficie exterior del receptáculo y de los accesorios para reducir la electricidad estática y la acumulación de polvo.

Lave los accesorios en agua tibia jabonosa, enjuague y deje secar al aire. **No los lave en lavadora de platos.**

**NO USE LOS ACCESORIOS SI ESTÁN MOJADOS.**



### CUIDADO

Los accesorios que se utilicen en áreas sucias, debajo del refrigerador, no deben usarse en otras superficies sin antes ser lavados. Podrían dejar marcas.

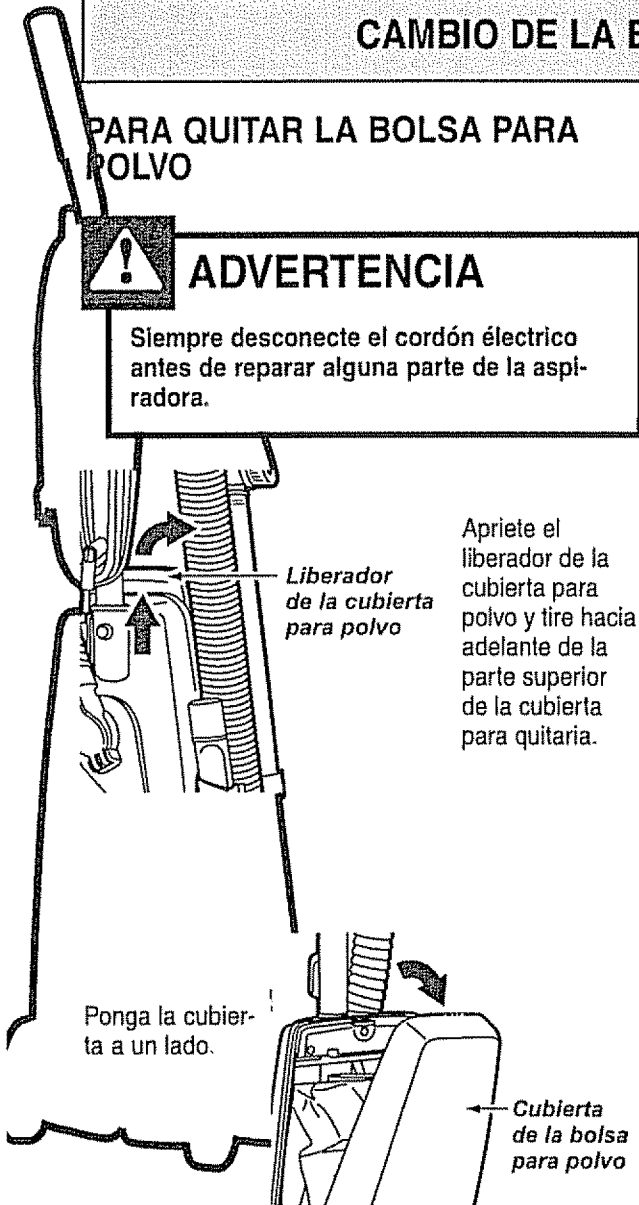
## CAMBIO DE LA BOLSA PARA POLVO

### PARA QUITAR LA BOLSA PARA POLVO

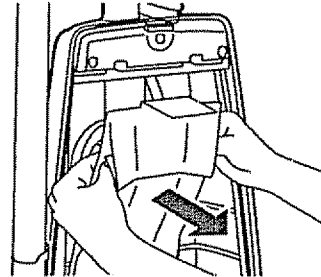


### ADVERTENCIA

Siempre desconecte el cordón eléctrico antes de reparar alguna parte de la aspiradora.



Tome la bolsa para polvo por el collar y quítela con cuidado. Tire la bolsa usada a la basura. **NO** la vuelva a usar.

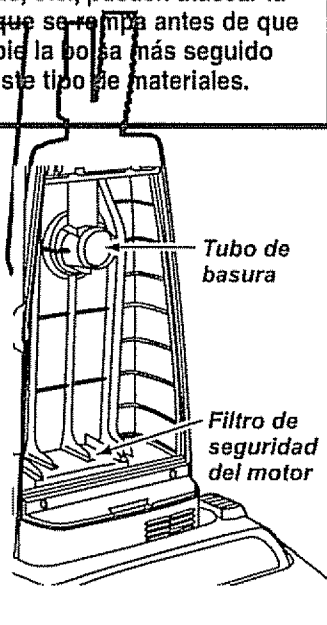


### CUIDADO

**NUNCA REUTILICE UNA BOLSA PARA POLVO.** Los materiales muy finos, tales como desodorantes para alfombras, talco facial, polvo fino, yeso, hollín, pelusa de alfombras nuevas, etc., pueden atascar la bolsa y causar que se rellene antes de que esté llena. Cambie la bolsa más seguido cuando aspire este tipo de materiales.

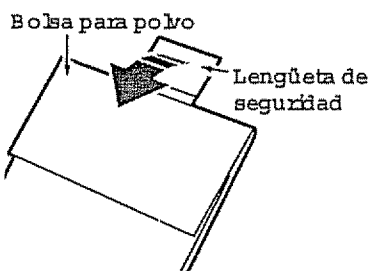
Revise el tubo de basura y el filtro de seguridad del motor.

Si estuvieran bloqueados, consulte la tabla de RECONOCIMIENTO DE PROBLEMAS.

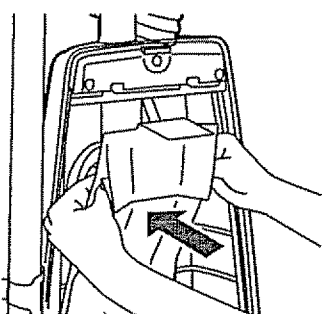


## PARA CAMBIAR LA BOLSA PARA POLVO:

Doble la lengüeta de seguridad de la nueva bolsa para polvo en dirección contraria a la abertura que va en el tubo de basura.

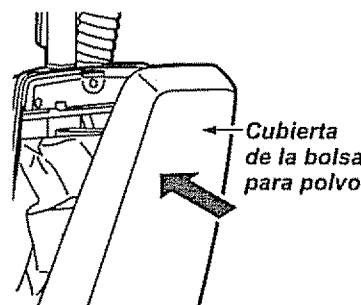
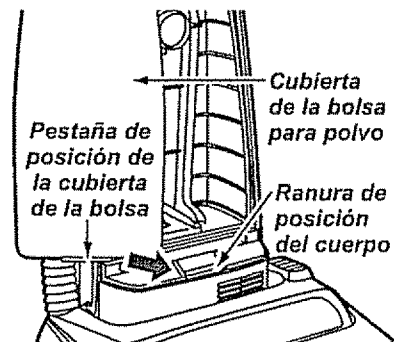


**NOTA:** Consulte la PIEZAS Y CARACTERÍSTICAS para determinar el N°. de la bolsa para polvo. Desdoble la nueva bolsa para polvo.



Instale la bolsa para polvo completamente sobre el tubo para basura sujetando el collar de la bolsa y empujándolo sobre el tubo para basura.

Coloque la cubierta de la bolsa para polvo de manera que la pestaña entre en la ranura de posición del cuerpo.



Cierre la cubierta de la bolsa.

Al escuchar un chasquido característico será indicación de que la cubierta ha cerrado bien.

## LIMPIEZA DEL FILTRO DE SEGURIDAD DEL MOTOR

Revise con frecuencia el filtro del motor y límpiolo cuando esté sucio.



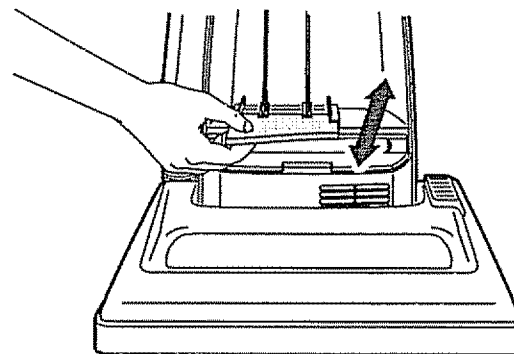
### ADVERTENCIA

**Peligro de choque eléctrico**

No opere la aspiradora sin el filtro de seguridad del motor. Asegúrese de que el filtro esté seco e instalado adecuadamente para impedir que el motor fall y/o que se produzca un choque eléctrico.

Quite la cubierta de polvo y la bolsa de polvo.

Si el filtro, localizado al fondo de la cavidad para la bolsa, está sucio, sáquelo tirando de él hacia adelante por debajo de las estrías.



Lave el filtro espumoso con agua caliente y jabón, enjuáguelo y séquelo bien apretándolo con la mano y dejando que se seque al aire libre.

**NO lo lave en la lavadora de platos.**

**NO lo instale húmedo.**

Vuelva a colocar el filtro deslizándolo de nuevo en su lugar debajo de las estrías en la cavidad para la bolsa.

Vuelva a colocar la bolsa de polvo y la cubierta de polvo.

## CAMBIO DE LA CORREA, CAMBIO DEL CEPILLO Y LIMPIEZA DEL CEPILLO



### ADVERTENCIA

Peligro de choque eléctrico o lesión corporal

Desconecte la unidad antes de limpiarla o darle servicio. De lo contrario podría producirse un choque eléctrico o causar lesión corporal si la aspiradora arranca de manera imprevista.

Frecuentemente revise el área del cepillo y quite todo pelo, cordón o pelusa que se haya acumulado. Si la acumulación es excesiva, siga las instrucciones a continuación. Si la correa se aflojara o rompiera, siga las instrucciones para quitar la correa.

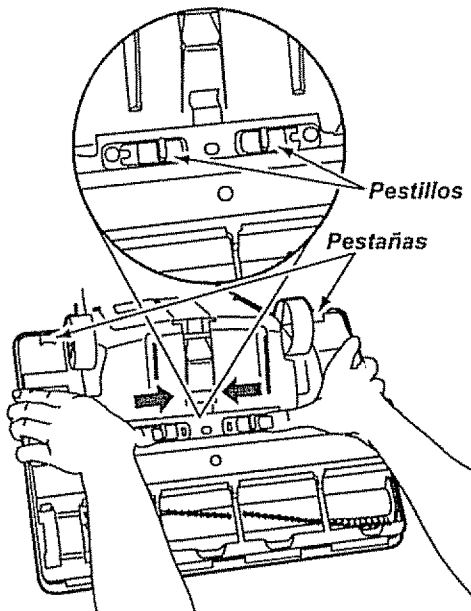
### PARA QUITAR LA PLACA INFERIOR

Desenchufe la unidad de la corriente eléctrica.

Ponga el mango de la aspiradora en posición horizontal y voltee la unidad de cabeza.

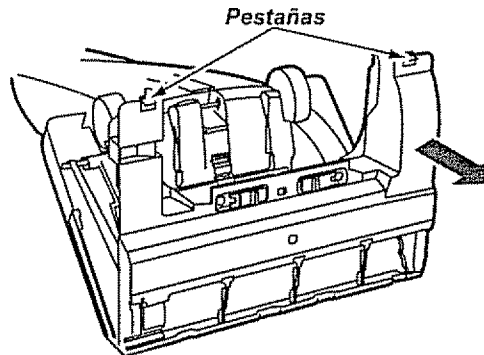
Para proteger la superficie del suelo, siempre ponga papel debajo de la boca de la máquina cuando se saca la placa inferior.

Libere la placa inferior haciendo presión sobre las pestañas en dirección al centro.



Tome las presillas de la parte posterior y tire hacia adelante y hacia arriba para quitar la placa inferior.

Cepille o quite cualquier residuo que esté en el área de correas.

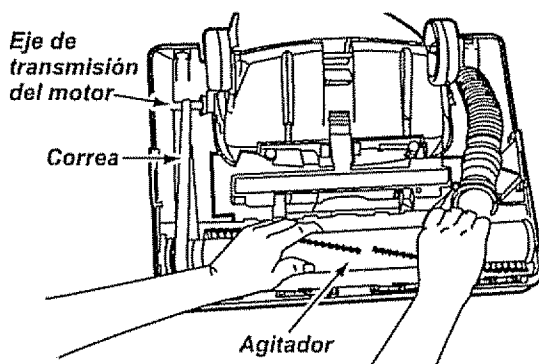


### ADVERTENCIA

Peligro de lesión personal

Siempre desenchufe la aspiradora antes de limpiar el área del cepillo, ya que éste podría empezar a funcionar repentinamente. No hacerlo podría resultar en una lesión personal.

## PARA QUITAR LA CORREA/LIMPIAR EL CEPILLO:



Con cuidado levante el extremo derecho del conjunto del agitador y luego el lado izquierdo. Quite el cepillo cilíndrico.

Quite la correa o rota del eje de transmisión del motor.



### ADVERTENCIA

#### Peligro de lesión personal

Tenga cuidado al quitar el cepillo cilíndrico, la tensión de la correa es grande. Si no tiene precaución podría sufrir una lesión personal si el cepillo se libera rápidamente y sale disparado.

**NOTA:** Para mantener una alta eficiencia de limpieza y evitar el daño a la aspiradora, hay que limpiar el ensamble del cepillo cada vez que se cambia la correa.

También hay que limpiar el ensamble del cepillo según el siguiente horario:

#### El uso de la aspiradora

Frecuente -  
(usada diariamente)

Moderado -  
(usada 2 o 3 veces por semana)

Ligero -  
(usada 1 vez por semana)

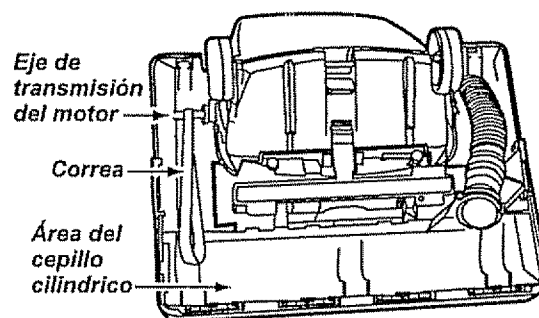
#### Limpie el ensamble del cepillo

cada semana

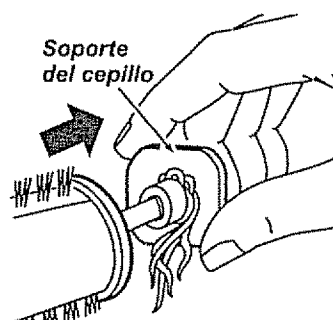
cada mes

cada 2 meses

Quite toda basura o restos del área que recorre la correa o del área del cepillo cilíndrico



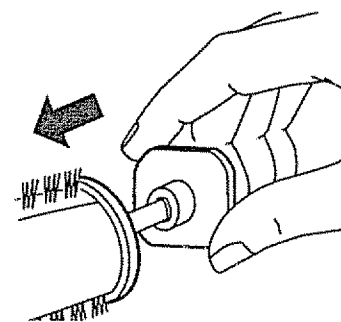
Con cuidado quite los soportes y las arandelas de los extremos del cepillo para ver si se han acumulado hilos y pelo.



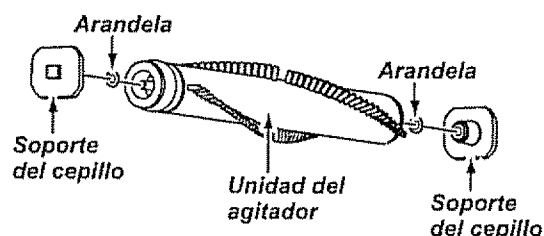
**NOTA:** Cuando quite los soportes del cepillo, podría salirse una pequeña arandela de cada extremo. **NO** las pierda.

Quite el hilo o los restos ubicados en el ensamble del cepillo, en los soportes del cepillo, en las arandelas o en el eje del agitador.

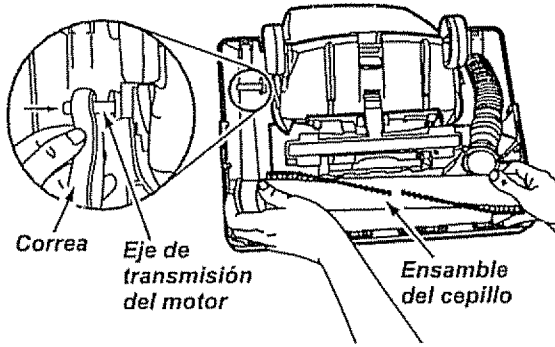
Vuelva a poner las arandelas y los soportes de los cepillos. Vea la perspectiva despiezada para seguir el orden correcto de colocación de las piezas.



### Perspectiva despiezada - Ensamble del cepillo



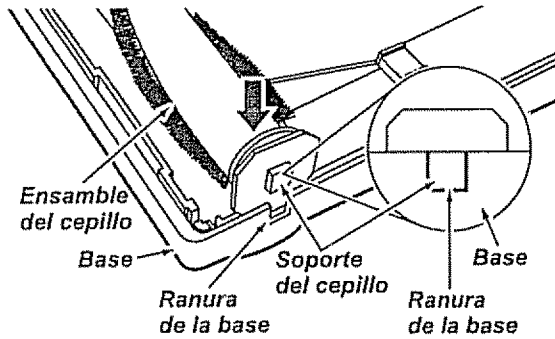
## PARA CAMBIAR LA CORREA:



Coloque la nueva correa alrededor del eje de transmisión del motor.

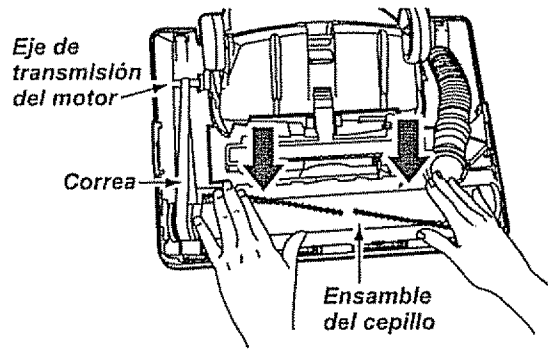
**NOTA:** Consulte la PIEZAS Y CARACTERÍSTICAS para determinar el N<sup>o</sup>. de correa.

Coloque el otro extremo de la correa alrededor del canal del cepillo cilíndrico.



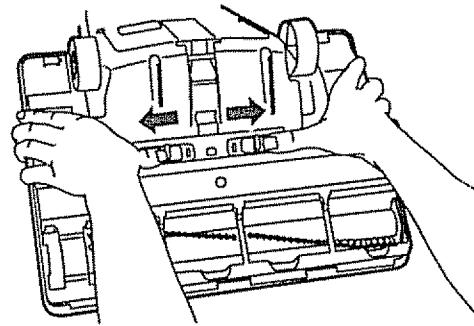
Alinee la extensión cuadrada de cada tapa con las ranuras de la estructura de la base.

Haga presión firmemente, asegurándose de que hayan entrado bien ambos extremos.



Verifique que la correa esté centrada en el canal de la correa y que el cepillo cilíndrico gire libremente.

Vuelva a colocar la placa inferior, metiendo las pestañas del frente de la placa en las ranuras del alojamiento de la boquilla y empujando la placa hacia atrás hasta que las presillas posteriores entren en su lugar. Tire de las pestañas hacia afuera.



Ponga la aspiradora en posición vertical antes de enchufarla a la corriente eléctrica.

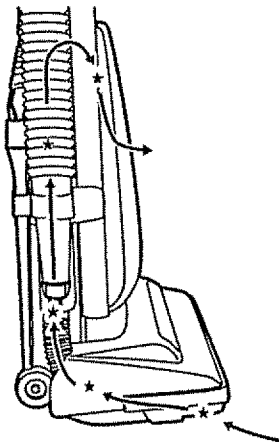
## CÓMO ELIMINAR LOS RESIDUOS DE BASURA EN LOS CONDUCTOS



### ADVERTENCIA

Peligro de choque eléctrico o lesión corporal

Desconecte la unidad antes de limpiarla o darle servicio. De lo contrario podría producirse un choque eléctrico o causar lesión corporal si la aspiradora arranca de manera imprevista.



Para obtener los mejores resultados de limpieza, mantenga limpios los conductos de paso del aire.

Antes de revisar los conductos de paso del aire desenchufe el cordón de la corriente eléctrica.

De vez en cuando revise que no estén obstruidas las partes señaladas en la ilustración.

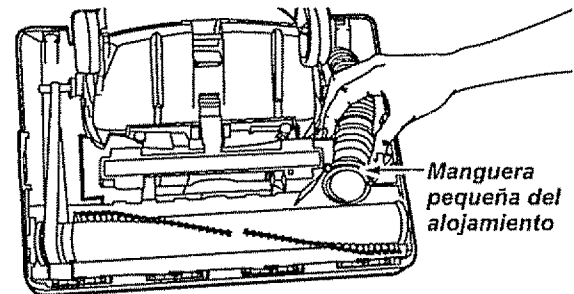
Desconecte el mango de la manguera de la boquilla y revise que no esté tapado.

Con la aspiradora prendida y el tubo desconectado, estire y comprima la manguera para destaparla.

Quite la tapa del conducto de succión y revise si hay obstrucciones en esta área.



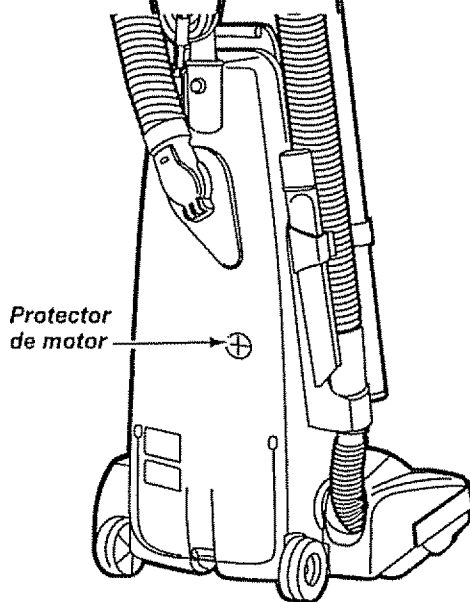
Cubierta del portillo para limpieza



Manguera pequeña del alojamiento

De persistir la obstrucción, apague (OFF) la aspiradora y desenchufe el cordón eléctrico. Voltee la unidad de cabeza, exponiendo la superficie inferior. Quite la placa inferior. Quite la manguera pequeña del alojamiento levantándola directamente hacia arriba. Inspeccione el extremo de la manguera y quite toda obstrucción. Vuelva a colocar la manguera corta y la placa inferior.

## PROTECTOR DE MOTOR



Protector de motor

Esta aspiradora tiene una válvula de desviación que sirve como protector de motor que se abre automáticamente para proveer un flujo de aire al motor cuando un zueco impida que circule el aire al motor. Si se abre la válvula bypass para impedir que se recalente el motor y que no haga daño a la aspiradora, se notará un cambio de sonido mientras el aire pasa por la abertura de la válvula. Cuando ocurre, apague la aspiradora y desenchufe el cordón del tomacorriente. Después, inspeccione la para encontrar zuecos como se describe bajo la sección CÓMO ELIMINAR LOS RESIDUOS DE BASURA EN LOS CONDUCTOS.

La válvula de desviación puede estar abierta mientras se usan los accesorios o para limpiar una alfombra nueva a causa de un flujo reducido de aire por los accesorios mismos o por la pelusa de la alfombra que llene la bolsa repidamente.

## RECONOCIMIENTO DE PROBLEMAS

Consulte este cuadro para encontrar soluciones que usted mismo puede realizar cuando tenga problemas menores de rendimiento. Cualquier servicio que necesite aparte de otros descritos en este manual tienen que ser hechos por un representante de servicio autorizado.



### **ADVERTENCIA** Peligro de choque eléctrico

Desconecte la aspiradora antes de darle servicio o limpiarla. De lo contrario podría producirse un choque eléctrico o causar lesión corporal.

PROBLEMA	CAUSA POSIBLE	SOLUCIÓN POSIBLE
La aspiradora no funciona.	<ol style="list-style-type: none"> <li>1. Está desconectada</li> <li>2. Cortacircuitos botado o fusible quemado en el tablero de servicio de la residencia.</li> <li>3. Interruptor de encendido/apagado no está en la posición ON</li> </ol>	<ol style="list-style-type: none"> <li>1. Conecte bien, oprima selector de encendido/apagado a la posición ON</li> <li>2. Restablezca el cortacircuitos o cambie el fusible.</li> <li>3. Coloque el Interruptor de encendido/apagado en la posición ON</li> </ol>
No aspira satisfactoriamente.	<ol style="list-style-type: none"> <li>1. Bolsa para polvo llena o atascada</li> <li>2. Cepillo desgastado.</li> <li>3. Manguera de la boquilla obstruida.</li> <li>4. Manguera o tubo obstruidos</li> <li>5. Manguera rota</li> <li>6. Correa rota</li> <li>7. La manguera, tubo no está bien metida.</li> <li>8. Se dejó puesta la boquilla para huecos reducidos.</li> </ol>	<ol style="list-style-type: none"> <li>1. Cambie la bolsa, (páginas 10-11)</li> <li>2. Cambie el cepillo, (páginas 12-14)</li> <li>3. Limpie la manguera, (página 15)</li> <li>4. Limpie la manguera, (página 15).</li> <li>5. Cambie la manguera</li> <li>6. Cambie la correa, (páginas 12-14)</li> <li>7. Meta la manguera, tubo, (página 6)</li> <li>8. Quite el tubo y almacénelo debidamente</li> </ol>
La basura de sale de la bolsa para polvo.	<ol style="list-style-type: none"> <li>1. Verifique que la bolsa esté bien puesta</li> <li>2. Bolsa rota</li> <li>3. Cubierta de la bolsa mal instalada.</li> </ol>	<ol style="list-style-type: none"> <li>1. Vea las instrucciones, (páginas 10-11).</li> <li>2. Cambie la bolsa</li> <li>3. Vea las instrucciones, (páginas 10-11).</li> </ol>
Restricción del flujo de el uso de los accesorios.  Cambio de sonido.	<ol style="list-style-type: none"> <li>1. El uso de los accesorios limita el flujo de aire</li> <li>2. La pelusa de una alfombra nueva obstruye el paso de aire.</li> </ol>	<ol style="list-style-type: none"> <li>1. Lea el manual de instrucciones, (página 8).</li> <li>2. Revise las instrucciones y limpie la manguera, (página 15).</li> </ol>

## Get it fixed, at your home or ours!

For repair of major brand appliances **in your own home . . .**  
no matter who made it, no matter who sold it!

**1-800-4-MY-HOME<sup>®</sup>** Anytime, day or night  
(1-800-469-4663) (U.S.A. and Canada)  
[www.sears.com](http://www.sears.com) [www.sears.ca](http://www.sears.ca)

For repair of carry-in products like vacuums, lawn equipment, and electronics, call for the nearest **Sears Parts and Repair Center.**

**1-800-488-1222** Anytime, day or night (U.S.A. only)  
[www.sears.com](http://www.sears.com)

For the replacement parts, accessories and owner's manuals that you need to do-it-yourself, call **Sears PartsDirect<sup>SM</sup>!**

**1-800-366-PART** 6 a.m. – 11 p.m., 7 days a week  
(1-800-366-7278) (U.S.A. only)  
[www.sears.com/partsdirect](http://www.sears.com/partsdirect)

To purchase or inquire about a Sears Service Agreement  
or Sears Maintenance Agreement:

**1-800-827-6655** (U.S.A.) **1-800-361-6665** (Canada )  
7 a.m. – 5 p.m., CST, Mon. – Sat. 9 a.m. – 8 p.m. EST, M – F, 4 p.m. Sat.

Para pedir servicio de reparación a domicilio, y para ordenar piezas:  
**1-888-SU-HOGAR<sup>SM</sup>**  
(1-888-784-6427)

Au Canada pour service en français:  
**1-800-LE-FOYER<sup>MC</sup>**  
(1-800-533-6937)  
[www.sears.ca](http://www.sears.ca)



© Sears, Roebuck and Co.

® Registered Trademark / ™ Trademark / ℠ Service Mark of Sears, Roebuck and Co.

® Marca Registrada / ™ Marca de Fábrica / ℠ Marca de Servicio de Sears, Roebuck and Co.

<sup>MC</sup> Marque de commerce / <sup>MD</sup> Marque déposée de Sears, Roebuck and Co.