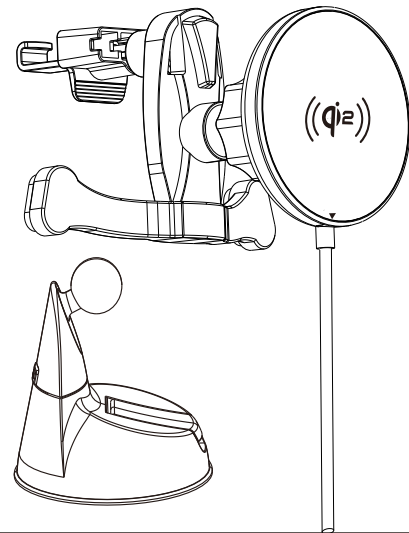
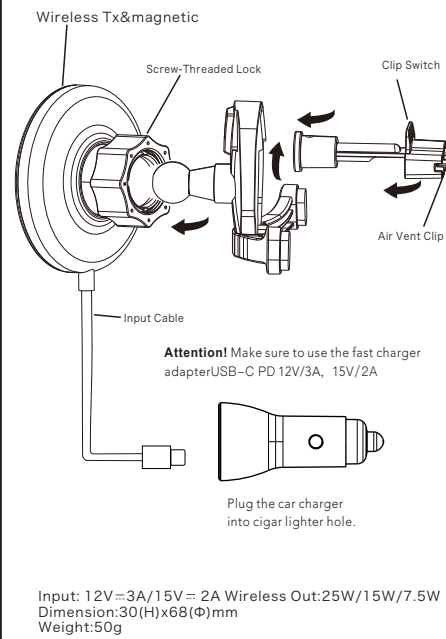


User Manual

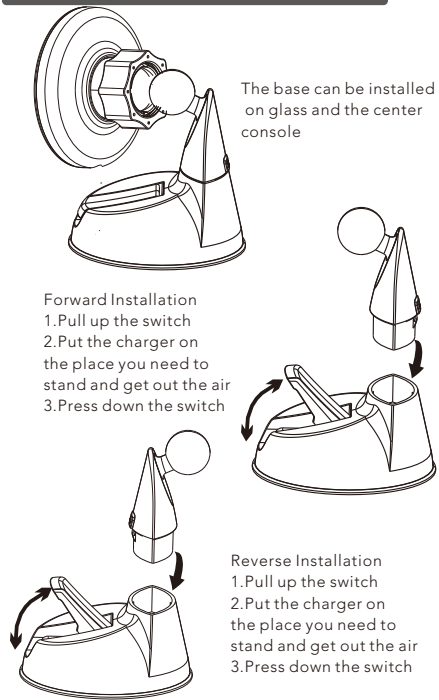
Qi2.2 Magnetic Car Wireless Charger



Specification & Function Description



Base installation method:



FCC Warning

This device complies with Part 15 of the FCC Rules. Operation is subject to the following two conditions:
(1) This device may not cause harmful interference, and (2) this device must accept any interference received, including interference that may cause undesired operation.

NOTE 1: This equipment has been tested and found to comply with the limits for a Class B digital device, pursuant to part 15 of the FCC Rules. These limits are designed to provide reasonable protection against harmful interference in a residential installation. This equipment generates, uses and can radiate radio frequency energy and, if not installed and used in accordance with the instructions, may cause harmful interference to radio communications. However, there is no guarantee that interference will not occur in a particular installation. If this equipment does cause harmful interference to radio or television reception, which can be determined by turning the equipment off and on, the user is encouraged to try to correct the interference by one or more of the following measures:
- Reorient or relocate the receiving antenna.
- Increase the separation between the equipment and receiver.
- Connect the equipment into an outlet on a circuit different from that to which the receiver is connected.
- Consult the dealer or an experienced radio/TV technician for help.

NOTE 2: Any changes or modifications to this unit not expressly approved by the party responsible for compliance could void the user's authority to operate the equipment.

RF Exposure Statement

To maintain compliance with FCC's RF Exposure guidelines, This equipment should be installed and operated with minimum 20cm between the radiator and your body. This device and its antenna(s) must not be co-located or operation in conjunction with any other antenna or transmitter.

Product Warranty Card

Warranty Period: 12 months

Thanks for using our product, we provide 12 months of free charge after-sales service under normal usage. In order to protect your rights, please be sure to fill in the following content truthfully and affix the dealer's seal when purchasing. If the product is damaged by man-made or force majeure, or the product has expired, and the warranty card is not presented, the company reserves the right to charge appropriate service fees at its discretion.

Product Brand: _____

Product Name: _____

Product Model: _____

Purchase Date: ___Month___Day___Year

If there is no purchase date filled in, the factory date shall prevail!

Dealer Signature: _____

Reasons for Defective: _____

Customer Name: _____

Address: _____

Contact Number: _____