

Use / Installation MANUAL



Outdoor Access Doors and Storage Drawer

*AD52820 / AD51620
SD5300 / SD5301 / SD5360 / SD5361*

IMPORTANT - Please Read and Follow

- Before beginning, please read these instructions completely and carefully.
- The installer should leave these instructions with the consumer for future reference.

UNPACK

1. Locate the unit near installation area.
2. Remove all banding from around carton.
3. Remove all tape and packaging material from the outside and inside of the access doors or storage drawer.
4. Keep all carton packaging until your access doors or storage drawers have been thoroughly inspected and found to be in good condition.

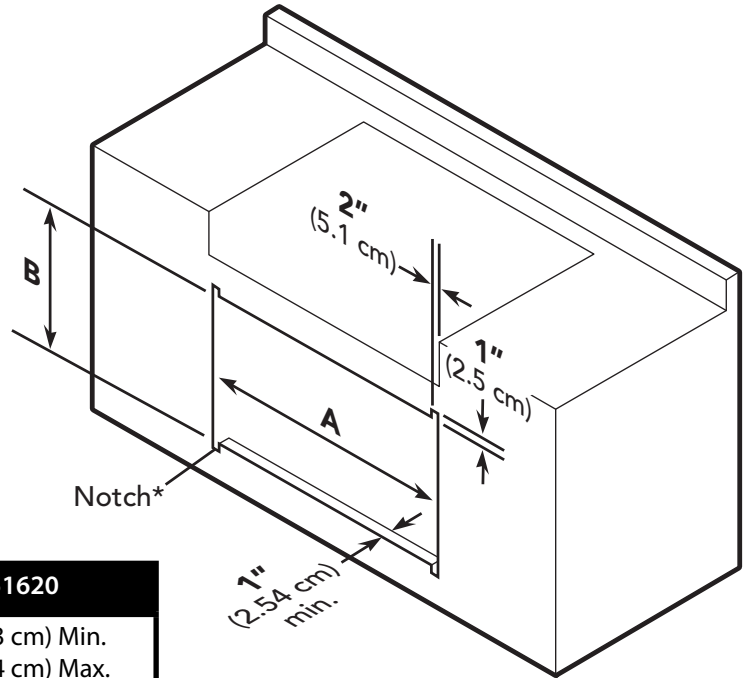
CUTOUT OUT DIMENSIONS

Access Doors

*Before centering doors in opening, make the notches in all four corners for double access doors and only in the hinge side for single access doors. The notches need to be 1" (2.5 cm) long x 2" (5.1 cm) wide. Attach with the four screws that are provided.

For Single Access Doors only (AD51620):

Only notch the side where the hinge is located. Door can be mounted with left or right door swing.

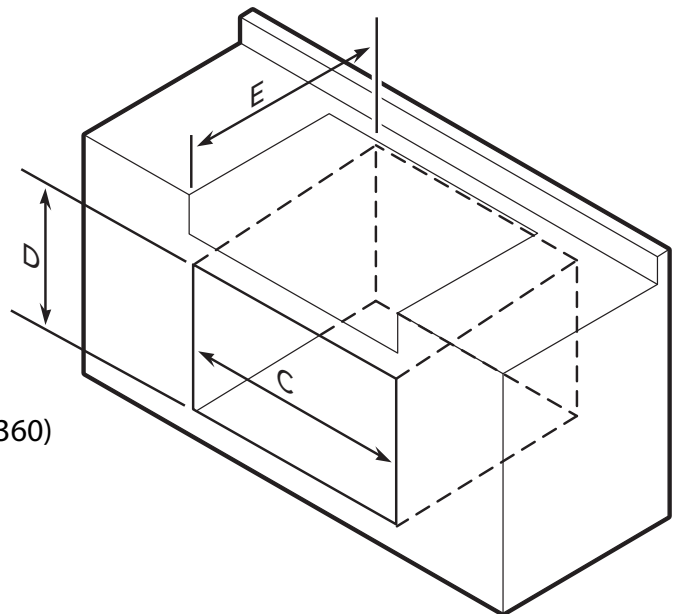


	AD52820	AD51620
A (includes notches)	28-1/4" (71.8 cm) Min. 30-1/4" (76.8 cm) Max.	16-1/4" (41.3 cm) Min. 18-1/4" (46.4 cm) Max.
B (opening only)	20-1/4" (51.4 cm) Min. 20-1/2" (52.1 cm) Max	20-1/4" (51.4 cm) Min. 20-1/2" (52.1 cm) Max

Storage Drawers

	SD5300 SD5301	SD5360 SD5361
C	28" (71.1 cm)	33-3/4" (85.7 cm)
D	9-1/4" (23.5 cm)	9-1/4" (23.5 cm)
E	23-3/8" (59.4 cm)	23-3/8" (59.4 cm)

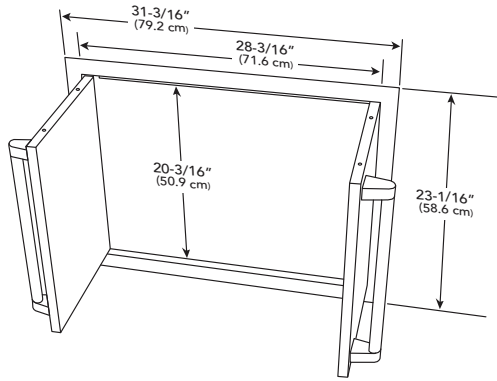
NOTE: Storage drawers (SD5300 / SD5301 / SD5361 / SD5360) must have cabinet side walls for mounting screws.



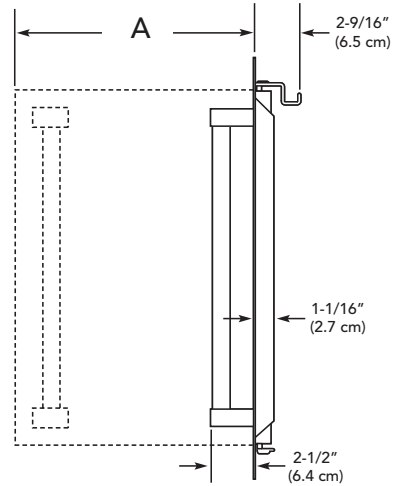
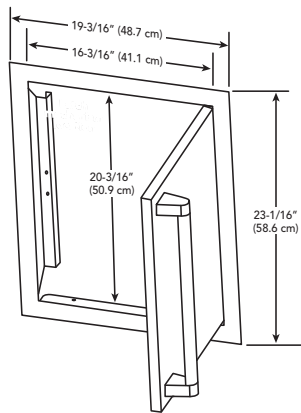
IMPORTANT - Please Read and Follow!

ACCESS DOOR DIMENSIONS

Double Doors

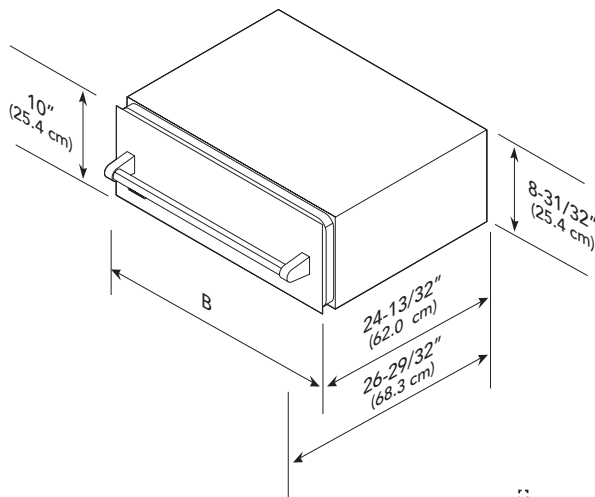


Single Door

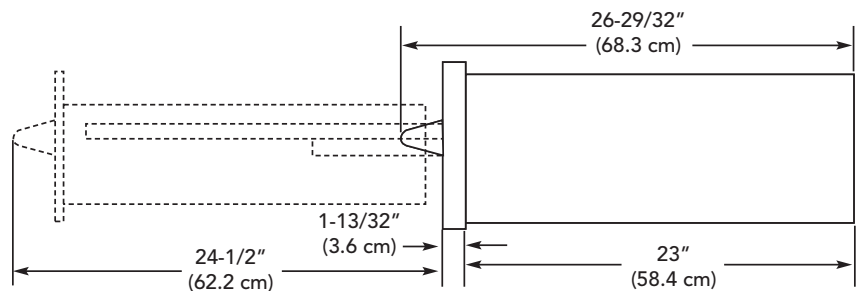


	AD52820	AS51620
A	15-7/16" (39.2 cm)	13-3/8" (34.0 cm)

STORAGE DOOR DIMENSIONS



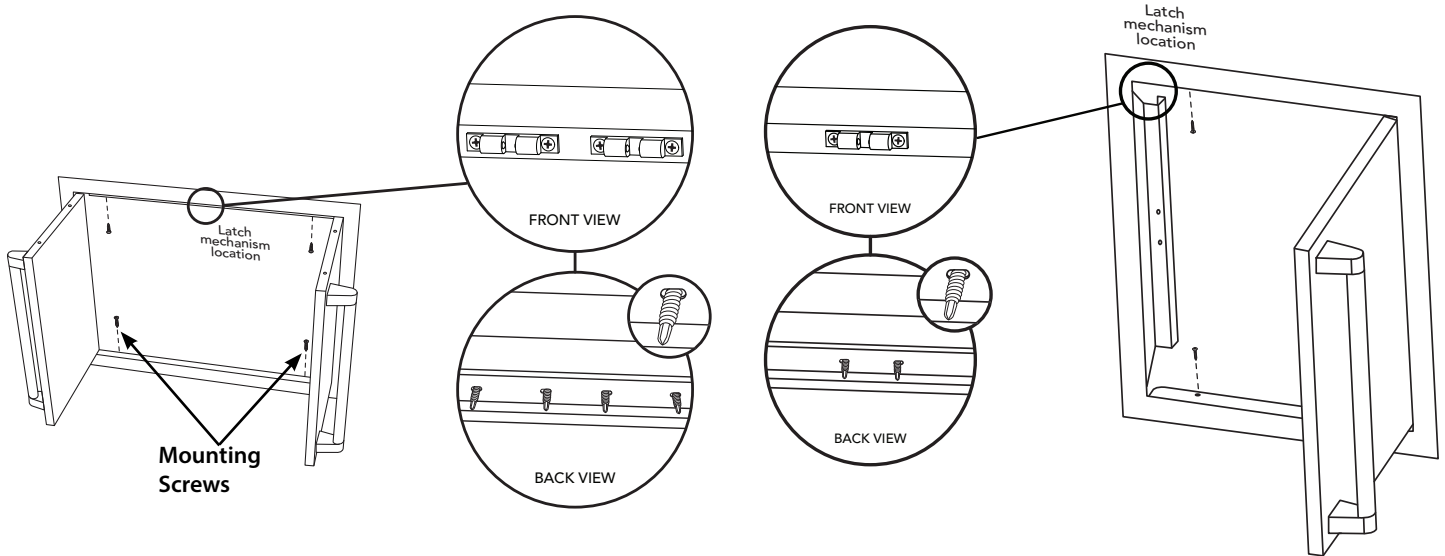
	SD5300 SD5301	SD5360 SD5361
B	29-1/2" (74.9 cm)	35-1/4" (89.5 cm)



Installation

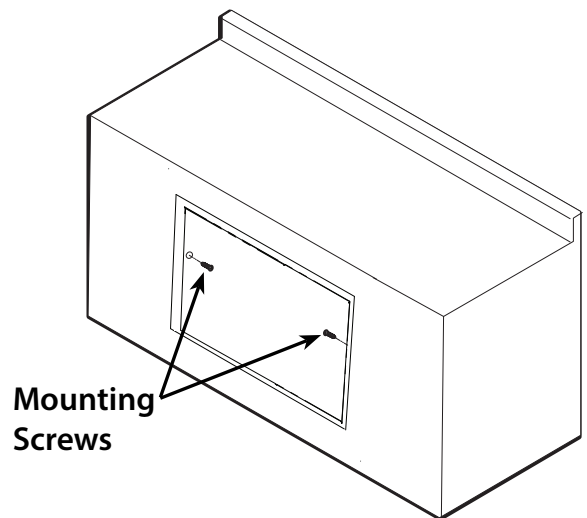
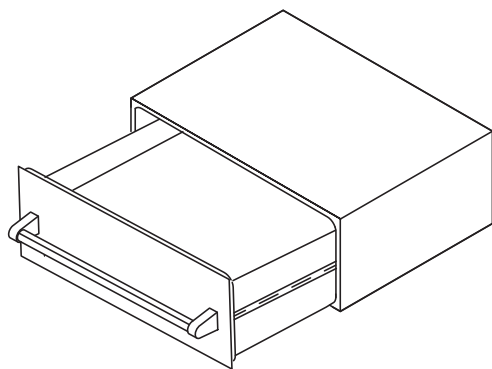
ACCESS DOOR

Each latch has two screws that are self-tapping. If an adjustment is needed to the factory set latch, the screws may be removed and reset. **NOTE:** Since the screws are self-tapping, resetting will be limited. Permanently secure the doors to cabinet using the mounting screws provided. (Double doors have four (4) and single door has two (2).)



STORAGE DRAWER

1. Slide drawer assembly into cabinet opening.
2. Remove drawer.
3. Permanently secure to cabinet side using the two (2) #10 mounting screws provided. (One on each side).
4. Replace drawer.



Cleaning and Maintenance

CAUTION

Do not use any cleaning agent with chlorine or chlorine compounds on stainless steel finish. Chlorine and chlorine compounds are corrosive to stainless steel

Stainless Steel Parts

Some stainless steel parts may have a plastic protective wrap which must be removed. All stainless steel body parts should be wiped regularly with hot, soapy water and with a liquid cleaner designed for that material to remove film residue. **DO NOT** use steel wool, abrasive cloths, cleansers, or powders. If it is necessary to scrape stainless steel to remove encrusted materials, soak the area with hot towels to loosen the material, then use a wooden or nylon spatula or scraper. **DO NOT** use a metal knife, spatula, or any other metal tool to scrape stainless steel. Scratches are almost impossible to remove. **DO NOT** permit citrus or tomato juice to remain on stainless steel surface, as citric acid will permanently discolor stainless steel. Wipe up any spills immediately.

Service Information

If service is required, call your authorized service agency.

Have the following information readily available:

- Model number
- Serial number
- Date purchased
- Name of dealer from whom purchased

Clearly describe the problem that you are having. If you are unable to obtain the name of an authorized service agency, or if you continue to have service problems, contact Viking Range at (888) 845-4641 or write to:

**VIKING RANGE, LLC
PREFERRED SERVICE
111 Front Street
Greenwood, Mississippi 38930 USA**

The serial number and model number for your storage drawer is located on an identification plate mounted on the top left side of the drawer housing. Pull out the drawer for access. The serial and model number for your access doors is located on an identification plated located on the back side of the frame.

Record the information indicated below. You will need it if service is ever required.

Model No. _____ Serial No. _____

Date of Purchase _____ Date Installed _____

Dealer's Name _____

Address _____

If service requires installation of parts, use only authorized parts to insure protection under the warranty.

Keep this manual for future reference.

Warranty

OUTDOOR ACCESS DOORS / STORAGE DRAWER WARRANTY

TWO YEAR FULL WARRANTY

Outdoor storage drawers / access doors and all of their component parts, except as detailed below*, are warranted to be free from defective materials or workmanship in residential housed hold use for a period of two (2) years from the date of original retail purchase. Viking Range, warrantor, agrees to repair or replace at its option, any part which fails or is found to be defective during the warranty period. Warranty service must be performed by a Viking Range LLC authorized service agency or representative.

***90 Day Cosmetic Warranty:** Products are warranted to be free from cosmetic defects in material or workmanship for a period of 90 days from the date of original retail purchase. This warranty covers manufacturing based defects only and does not cover issues resulting from handling or installation. Inspection of the product should be made at time of delivery. Any defects must be reported to the selling dealer within the 90 day period. Viking Range LLC uses the most up to date processes and the best materials available to produce all color finishes. However, slight color variation may be noticed because of the inherent differences in painted parts and porcelain parts as well as differences in product location and natural or artificial lighting. Warranty service must be performed by a Viking Range LLC authorized service agency or representative.

***90 Day Residential Plus:** Viking products are designed and certified for residential use only. They are not intended for use in commercial applications. Viking products should only be used in accordance to national and local codes. Viking is not responsible for property damage or injury resulting from use in a commercial application.

To support the manufacturing quality of its appliance's Viking will provide a full 90 day warranty for products used in "Residential Plus" applications. This "Residential Plus" warranty applies to applications where use of the product extends beyond residential use but is in compliance with national and local code. In some jurisdictions these applications are zoned as residential. Examples of, but not limited to, such applications covered by this warranty are bed and breakfasts, fire stations, private clubs, churches, condominium/apartment common areas etc. Under this "Residential Plus" warranty, the product, its components and accessories are warranted to be free from defective material or workmanship for a period of ninety (90) days from the date of original retail purchase. Viking Range, LLC, warrantor, agrees to repair or replace, at its option, any part which fails or is found to be defective during the warranty period. This warranty covers parts and labor. This warranty excludes use of the product in all commercial locations such as restaurants, food service locations and institutional food service locations.

WARRANTY TERMS

This warranty extends to the original retail purchaser of the product warranted hereunder and to each transferee owner of the product during the term of the original purchaser's warranty. The warranty is transferable by the original retail purchaser via home sale only. If a transferee owner is unable to provide proof of purchase from the original purchaser and the product has not been previously registered, the production date of the product, located in the serial number on the product, will serve as the effective warranty start date. The activation date of the warranty begins from the date of original retail purchase. In the case of new product purchase via building development sales, activation begins from the earlier date of either certificate of occupancy or 24 months from date of manufacture. Note date of manufacture is identified by serial tag on product.

This warranty does not cover units purchased as b-stock, liquidation, salvage, seconds, refurbished, as-is, used products.

This warranty shall apply to products purchased in the United States and Canada. Products must be purchased in the country where service is requested. Warranty service must be performed by a Viking Range LLC authorized service agency or representative. Warranty shall not apply to damage resulting from abuse, accident, natural disaster, loss of electrical power to the product for any reason, alteration, improper installation, improper operation, or repair service of the product by anyone other than a Viking Range LLC authorized service agency or representative. This warranty does not apply to commercial usage. Warrantor is not responsible for consequential or incidental damage whether arising out of breach of warranty, breach of contract or otherwise. Some jurisdictions do not allow the exclusion or limitation of incidental or consequential damages, so the above limitations do not apply to you. Owner shall be responsible for proper installation, providing normal care and maintenance, providing proof of purchase upon request, and making the product reasonably accessible for service. If the product or one of its component parts contains a defect or malfunction during the warranty period, after a reasonable number of attempts by the warrantor to remedy the defects or malfunctions, the owner is entitled to either a refund or replacement, at the warrantor's discretion of the product or its component part or parts. Warrantor's liability on any claim of any kind, with respect to the goods or services covered hereunder, shall in no case exceed the price of the goods or service or part thereof which gives rise to the claim.

WARRANTY SERVICE

Under the terms of this warranty, service must be performed by a Viking Range LLC authorized service agent or representative. Service will be provided during normal business hours. Labor performed at overtime or premium rates shall not be covered by the warranty. To obtain warranty service contact Viking Range LLC Customer Care at 1-888-845-4641. Please have model number, serial number, and date of original purchase available when calling. **IMPORTANT:** retain proof of original purchase to establish warranty period. The return of the owner registration card is not a condition of warranty coverage. You should, however, return the owner registration card so Viking Range LLC can contact you should any question of safety arise which could affect you. Any implied warranties of merchantability and fitness applicable to the above described burner assemblies, infrared rotisserie burners, grill grates, and stainless steel parts are limited in duration to the period of coverage of the applicable express written limited warranties set forth above. Some jurisdictions do not allow limitations on how long an implied warranty lasts, so the above limitations may not apply to you. This warranty gives you specific legal rights, and you may also have other rights which may vary from jurisdiction to jurisdiction.

Specifications subject to change without notice.

Viking Range, LLC
111 Front Street
Greenwood, Mississippi 38930 USA
(662) 455-1200

For product information,
call 1-888-(845-4641)
or visit the Viking Web site at vikingrange.com in the U.S.