



RETRO REFRIGERATOR

MODEL: RR 1100 R / B / C



OWNER'S MANUAL

Read the instructions carefully and keep for future reference

Warranty

Conserv Appliances undertakes to the consumer-owner to repair or, at our option, to replace any part of this product which proves to be defective in workmanship or material under normal commercial use, in the USA and Canada, for a period of one year from the date of original purchase. During this period, we will provide all labor and parts necessary to correct such defect, free of charge, if the appliance has been installed and operated in accordance with the written instructions with the appliance. Ready access to the appliance, for service, is the responsibility of the consumer-owner. Service would be provided from Monday to Friday between normal business hours.

Exclusions

In no event shall Conserv Appliances be liable for incidental or consequential damages or for damages resulting from external causes such as abuse, misuse, incorrect voltage or acts of God. This warranty does not cover service calls which do not involve defective workmanship or materials covered by this warranty. Accordingly, diagnosis and repair costs for a service call which does not involve defective workmanship or materials will be the responsibility of the consumer-owner.

Specifically, the following work is not covered under warranty and does not constitute warranty work:

Installation – e.g. installing incorrectly

Maintenance – e.g. cleaning appliance using solvents

Mishandling – e.g. breakage of shelves

Most work is covered. The defining factor is, has the machine malfunctioned (Conserv Appliances is responsible) or has the customer omitted or done something to cause machine to malfunction (customer is responsible). Some States do not allow the exclusion or limitation of incidental or consequential damages, so the above limitation or exclusion may not apply to you.

WARRANTY SERVICE

This warranty is given by:

ConServ Appliances
10222 Georgibelle Drive, Suite 200
Houston, Texas 77043-5249

For Service:

Call 1-800-776-3538
Email: Service@ApplianceDesk.com
Web: www.ApplianceDesk.com
Business hours: 9:00 am - 5:00 pm weekdays

You can register your Warranty by any of the following methods:

1. Scan the QR Code
2. Register online at
www.appliancedesk.com/information/warranty_registration
3. Cut out and mail the Warranty Card located on the last page.



RR 1100 R / B / C

GENERAL

Since it is responsibility of the consumer-owner to establish the warranty period by verifying the original purchase date, Conserv Appliances recommends that a receipt, delivery slip or some other appropriate payment record be kept for that purpose.

This warranty gives you specific legal rights, and you may also have other rights which vary from State to State.

All rights reserved. Manual subject to change without notice.

Please always follow the safety precautions listed below:



- Do not put acid or flammable or volatile materials inside the appliance.
- Do not puncture or damage refrigerant tubing.
- Unplug the unit immediately if you find any abnormal smell or smoke, and contact Customer Service.
- This appliance is not intended for use by children or persons with reduced physical, sensory or mental capabilities, or lack of experience and knowledge, unless they have been given supervision or instruction concerning use of the appliance by a person responsible for their safety. Children should be supervised to ensure that they do not play with the appliance.
- Use a dedicated power outlet and a three prong power socket, that is properly grounded.
- Secure the cord behind the unit to prevent a tripping hazard.
- Do not use extension cords or ungrounded two prong adapters.
- Do not use the power cord or plug if it is damaged.
- When removing the power plug, do not pull on the cord. Grasp the plug firmly and pull it out from the socket.
- Do not connect or disconnect plug with wet hands.
- Unplug the unit first when doing maintenance or repair.
- Keep ventilation openings free of obstructions.
- Repairs must be done only by a qualified technician.

Safe Disposal

- Before discarding the appliance, remove the door in order to prevent risk of child entrapment. Leave shelves in place.
- Dispose off this appliance in accordance with local regulations.

State of California Proposition 65 Warnings:

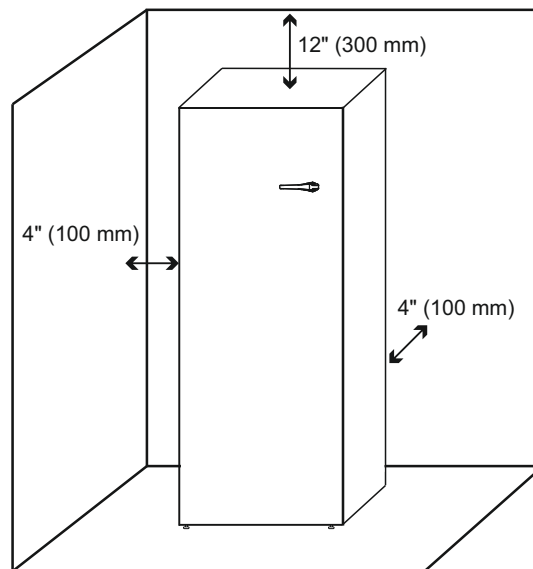
WARNING: This product contains one or more chemicals known to the State of California to cause cancer.

WARNING: This product contains one or more chemicals known to the State of California to cause birth defects or other reproductive harm.

This appliance is intended for household use.

Placement

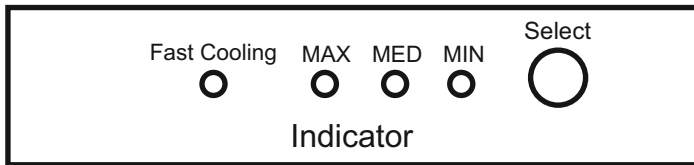
- Do not tilt the appliance at an angle of more than 45° when moving it.
- This unit is designed to be free standing and not built-in.
- The unit should be placed in a ventilated and dry environment.
- Do not put the unit in direct sunlight, and keep it as far as possible from heat sources.
- Don't put the unit in a cold area.
- There should be 4" (100 mm) on either side and between the back of the appliance and the wall, and 12" (300 mm) of space above the unit as shown, to allow proper ventilation.
- The unit should be placed on flat and stable ground. Keep the unit level by adjusting the 2 front leg levelers.



Before Use

- Before initially plugging in the refrigerator, keep the unit standing upright and stable for 6 hours. The refrigerator should be on for up to 4 hours and adequately cold, before putting food in it.
- It is recommended that you clean the interior of the unit before placing food inside.

Operation



Press the Select button to choose the temperature setting in the appliance. Each time the Select button is pressed, the indicator light will come on one by one for each temperature setting.

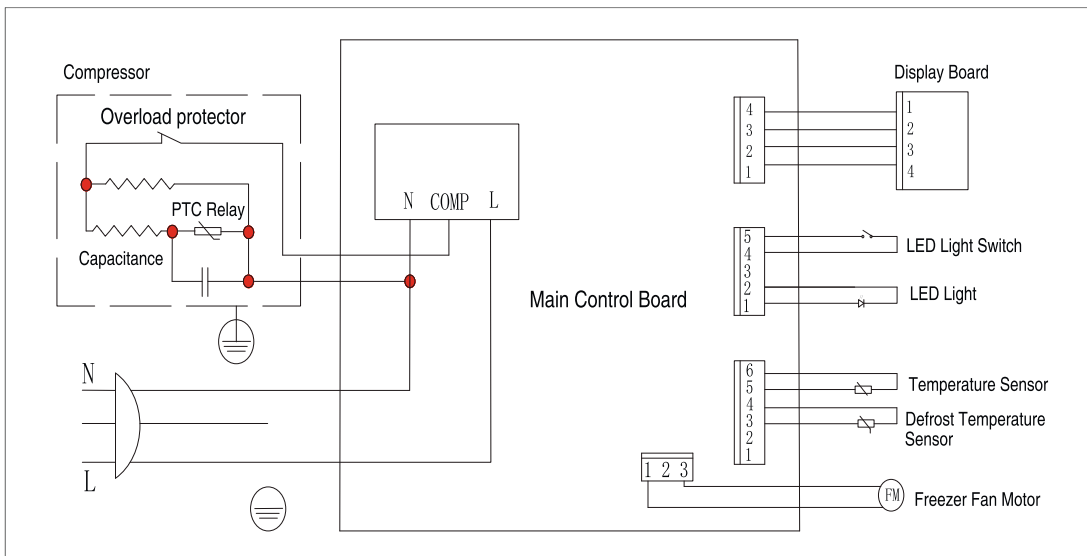
Normal Temperature Setting

Press Select to choose MAX, MED or MIN to set the desired level of cold in the appliance. The indicator light will come on for the selection. Keep the button pressed for 5 seconds to make the selection. MAX is least cold and MIN is coldest. MED is the average medium cold setting and suggested as the default to start with.

Fast Cooling

To cool quickly, press the Select button until the Fast Cooling indicator light is on. Then keep the Select button pressed for 5 seconds. When the refrigerator reaches the correct temperature, the indicator lights will go off. Then the normal setting of MAX, MED or MIN can be selected.

Electrical Diagram



Maintenance

Cleaning

- Always remove all items and unplug the unit before cleaning.
- Clean inside, behind and around the refrigerator regularly, using water and mild detergent, and a damp cloth (not wet).
- Never use boiling water, harsh cleaning chemicals or abrasive materials.
- Clean the door gasket regularly to ensure that the door closes and seals properly.
- Dry all surfaces thoroughly.
- Manual defrosting is not necessary as this appliance has an auto defrost function.

Extended Absence

- If the unit will be switched off for a long time, remove all items, turn off the appliance and clean the unit thoroughly.
- Leave the door open and place the unit in a well ventilated area to avoid build up of odor.

The following phenomenon is normal

- The sound like a rivulet is caused by the refrigerant flowing inside of the system pipe.
- While the unit runs, heat is emitted from both sides of the cabinet.
- When the environment is too humid, the edges around door may have a little moisture. Simply wipe it with a dry cloth.

Technical Specifications

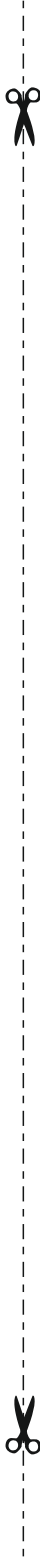
Model No.	RR 1100 R / B / C
Capacity	11.1 cu.ft.
Rated Voltage / Frequency	115V / 60Hz
Rated Current	0.45A
Refrigerant	R600a
Type of Defrost	No Frost
Temperature Range	36.2°F to 46.4°F
Certification	Energy Star (4Star Rating)
Weight (Net/Gross) lbs	143 / 149
Product Dimensions (H*W*D) inches	71.9 x 23.5 x 27.8



Troubleshooting

Before calling for service, please check the following issues first

PROBLEM	POSSIBLE CAUSE
The unit does not work	<ul style="list-style-type: none"> • Power is not on or the unit is not connected to power • Low voltage • A fuse may be blown or the circuit breaker tripped • Plug not fully inserted into the wall outlet
Internal temperature not cold enough	<ul style="list-style-type: none"> • Temperature setting is too warm • Door is not shut properly or opened frequently • Exhaust vent is obstructed • A large quantity of warm food has been placed in the unit • Close proximity to heat source or direct sunlight • Ambient temperature or humidity is very high
Appliance runs continuously	<ul style="list-style-type: none"> • Temperature setting is too cold • Door not shut properly or opened frequently • Exhaust vent is obstructed • A large quantity of warm food has been placed in the unit • Close proximity to heat source or direct sunlight • Ambient temperature or humidity is very high
Internal temperature is too cold	<ul style="list-style-type: none"> • Temperature setting is too cold
Noises	<ul style="list-style-type: none"> • Parts are expanding and / or the refrigerant is circulating; this is normal • Floor is not flat, and the unit is not placed in a stable position.
Doors cannot be closed properly	<ul style="list-style-type: none"> • The door is obstructed by items inside the unit. • The door gasket is not providing a good seal. Heat the gasket with a hair dryer.



Warranty Registration Card

Name (Mr/Mrs/Ms): _____
Address: _____ Apt# _____
City: _____ State: _____ Zip: _____
Phone 1: _____ Phone 2: _____
Email*: _____
Product: _____ Model#: _____
Purchased At: _____ Purchase Date: _____
Used in: House Apt/Condo Office Vacation Home RV/Boat Other _____

S
E
R
I
A
L
#

This information is for internal Use only and will be kept confidential. *We do not sell your email or other information.

Place
Stamp
Here

To: Warranty Registration
10222 Georgibelle Drive, Suite 200
Houston, TX 77043-5249