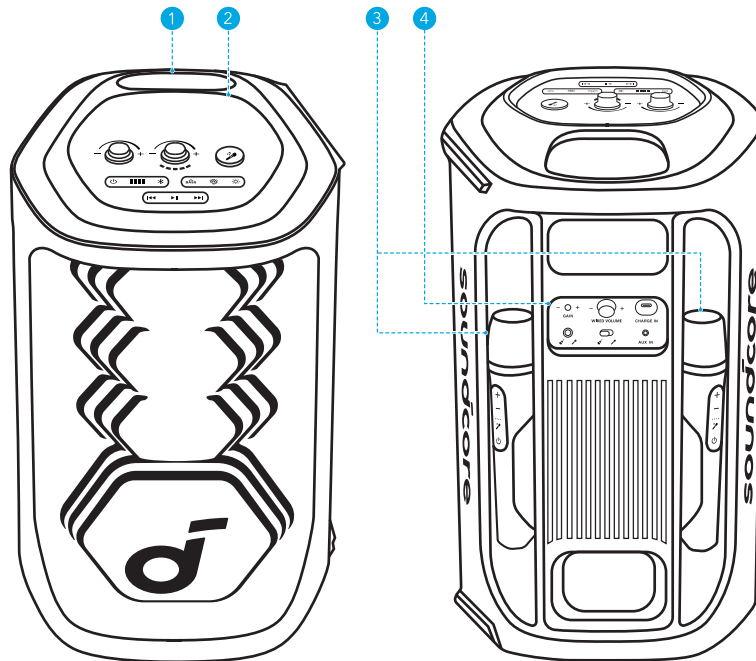


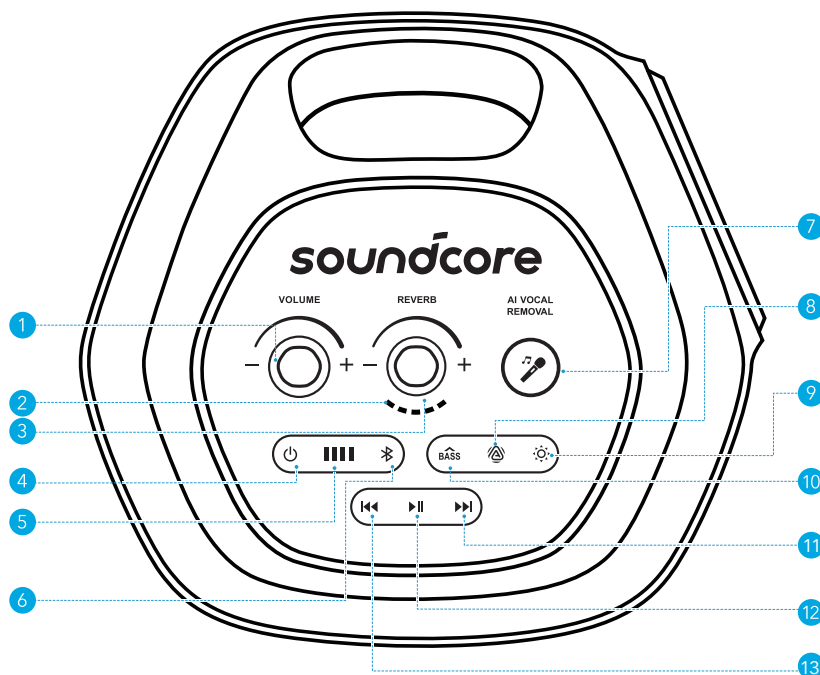
At a Glance

Front & Back



1	Handle	3	Wireless Microphones (x2)
2	Top Panel	4	Back Panel

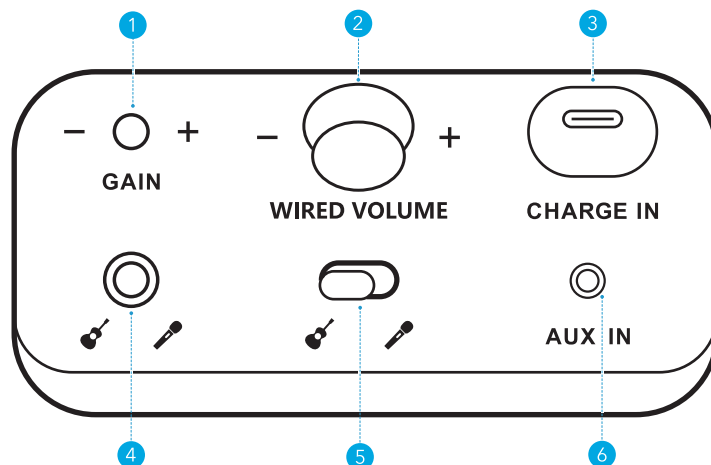
Top Panel



- Volume Control:** Adjust the volume of the speaker.
- Reverb Control:** Rotate clockwise / counterclockwise to increase / decrease the amount of reverb applied to your microphone.
- Reverb Level Indication:** Display the current reverb applied to your microphone.
- Power Button:** Power on or off the device.
- Battery Indicator:** Display the battery level of the device.
- Bluetooth Button:** Press to enter Bluetooth pairing mode.

7. **AI Vocal Removal:** Press to remove the original vocals from the song, leaving only the accompaniment. Press again to restore the vocals.
8. **AuraCast Button:** Press to enable AuraCast feature.
9. **LightShow Button:** Press to turn the light effect on or off.
10. **BassUp Button:** Press to enhance the low frequency of the audio source.
11. **Next Track Button:** Press once to skip to the next track.
12. **Play/Pause Button:** Press once to play / pause the audio source.
13. **Previous Track Button:** Press once to skip to the previous track.

Back Panel

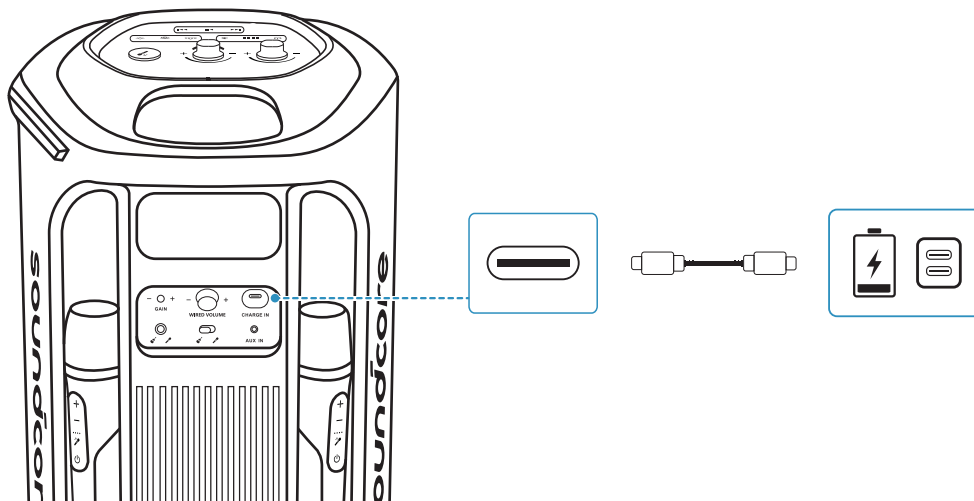



1. **Gain (Guitar):** Adjust gain of the connected guitar.
2. **Wired Volume Control:** Rotate clockwise / counterclockwise to increase / decrease the volume of the connected guitar or wired microphone.
3. **USB-C Charging Port:** Plug in the provided C-C cable to charge the device.
4. **Guitar / Microphone Socket (6.5mm):** Connect to a guitar or wired microphone.
5. **Input Switch Toggle:** Switch to the connected guitar or microphone input.
6. **AUX IN:** Connect to an external audio device through a 3.5 mm audio cable (not supplied).

Charging

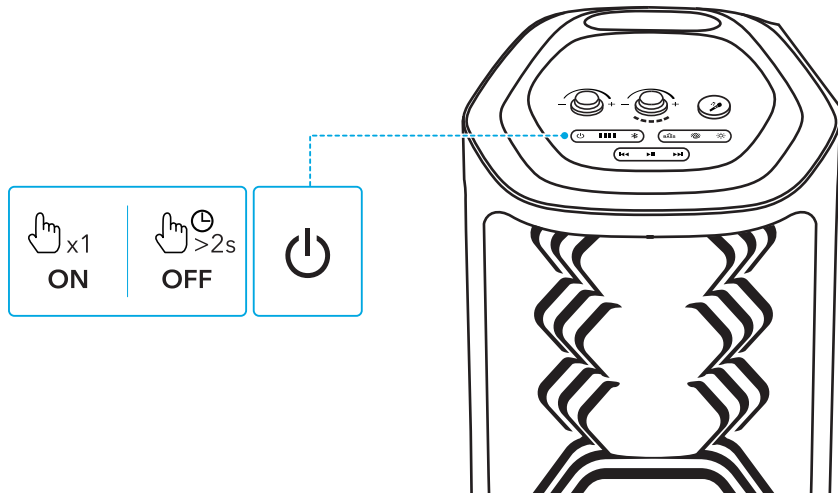
Charging Your Speaker



- Use a certified C-C cable and charger to prevent any damage.



	Flashing Red	Low Battery
	Flashing White	Being Charged
	Steady White	Fully Charged

Powering On/Off



	Press Once	Power On
	Press and Hold for 2 Seconds	Power Off

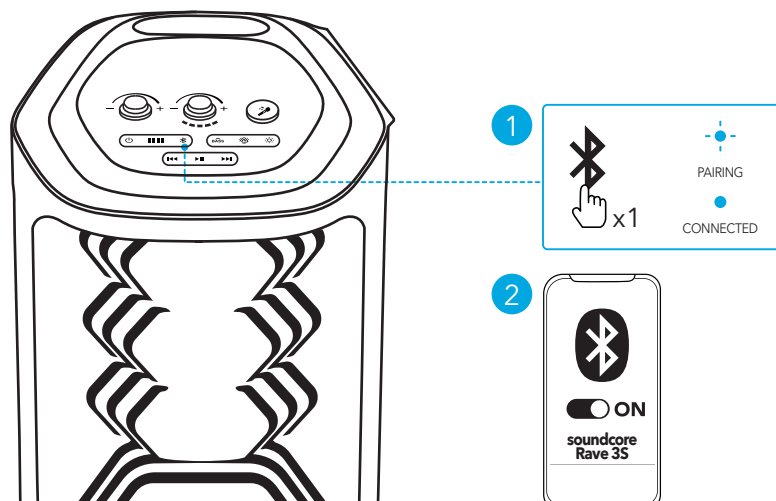





- This speaker will power off automatically after 20 minutes of no audio input.
- You can also set an auto-power-off time in the soundcore app.

Using Your Speaker

Bluetooth Mode

Press the Bluetooth button to enter Bluetooth pairing mode, then select "**soundcore Rave 3S**" from your device's Bluetooth list to connect.



	Press	Enter Bluetooth Pairing Mode
	Flashing Blue	Bluetooth Pairing
	Steady Blue	Bluetooth Connected



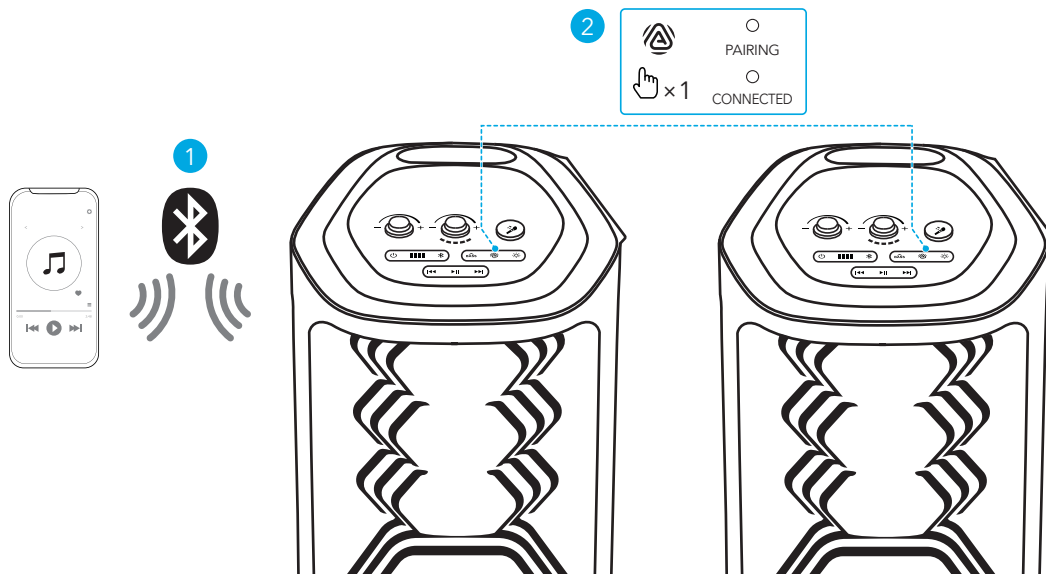
- To re-enter Bluetooth pairing mode, press the Bluetooth button once.
- This speaker can only play music on one mobile device at a time. To play from another connected device, pause the device that's currently active first.
- Each time you power on your speaker, it will automatically connect to your last connected device if available within the Bluetooth range. If not, press the Bluetooth button to enter Bluetooth pairing mode.

TWS (True Wireless Stereo) Mode

Two identical soundcore speakers can pair with each other for stereo sound. Both speakers can play the same audio (one as the left channel and the other as the right channel).

With one speaker connected to a smartphone or tablet, press the AuraCast button simultaneously on both speakers to enter TWS pairing mode powered by AuraCast technology.

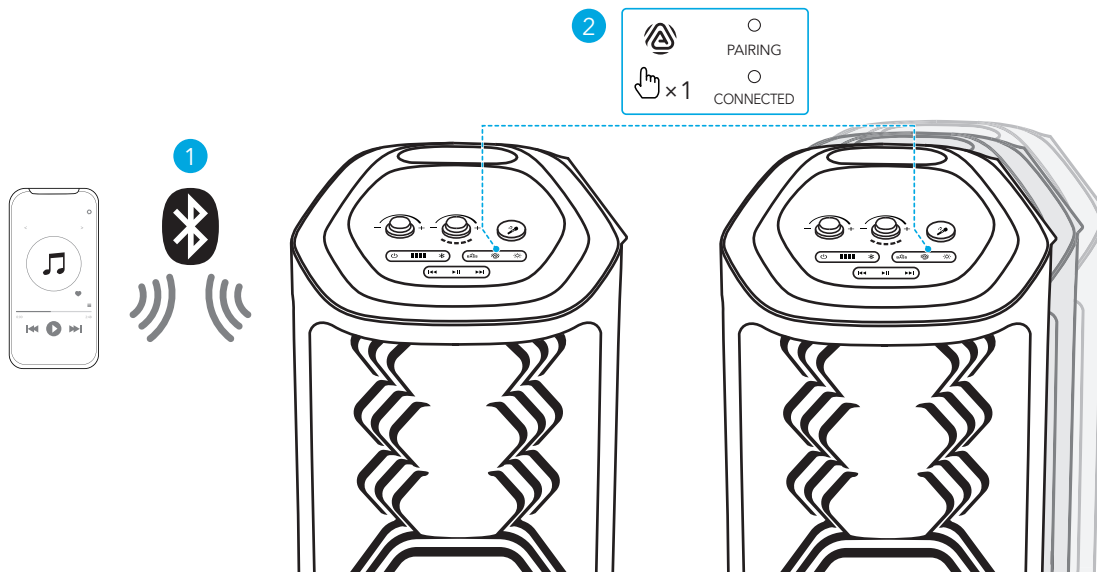
Upon successful pairing, you will hear a sound prompt. Then double press the AuraCast button on either speaker to assign the left and right audio channels.



	Press Once	Enter / Exit TWS Pairing Mode
	Steady White	TWS Pairing
	Steady White (Speaker 1)	TWS Connected
	Steady White (Speaker 2)	

AuraCast

With one speaker connected to a smartphone, press the AuraCast button on up to 10 soundcore speakers with AuraCast function to synchronize audio and light.

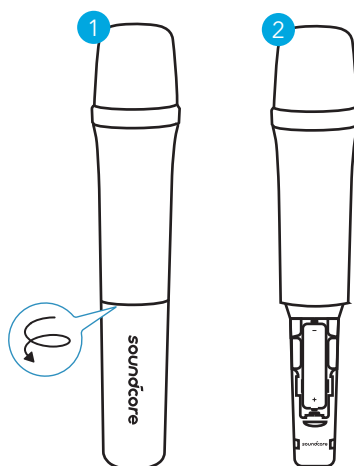


	Press Once	Enter / Exit AuraCast Pairing Mode
	Steady White	AuraCast Pairing
	Steady White	AuraCast Connected

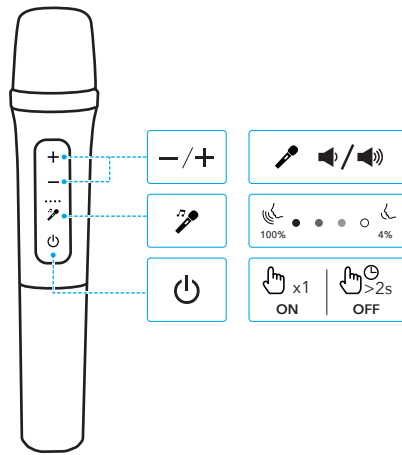


- When you enable or disable the AuraCast feature, you will hear a notification sound.

Using the Wireless Microphones



- Unscrew the battery cover.
- Install two AA batteries.

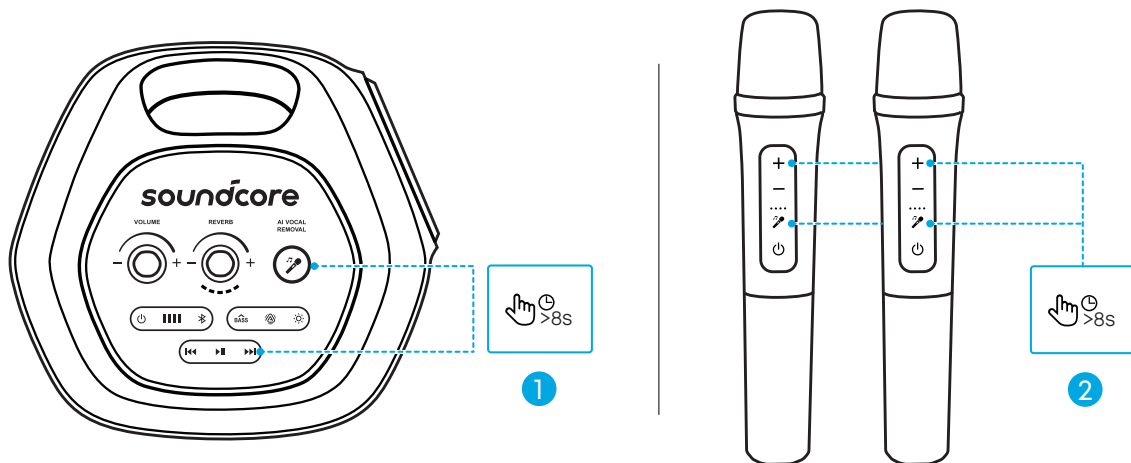


⏻	Press Once	Power On
	Press and Hold for 2 Seconds	Power Off
-/+	Press	Mic Volume Up / Down
🎤	Press	Adjust Vocal Removal Level



- Once you power on the wireless microphones, they will automatically connect to the speaker.
- The AI VOCAL REMOVAL button on the speaker can remove the original vocal from a song with just one press. While the AI Vocal Removal button on the wireless microphone allows for adjustable vocal retention, ranging from 4% to 100%.
- Once the vocal removal level is set on the microphone, the speaker will remember this setting even after restarting. This ensures that when you activate the vocal removal feature on the speaker, the vocal removal effect will match the level set on the microphone.

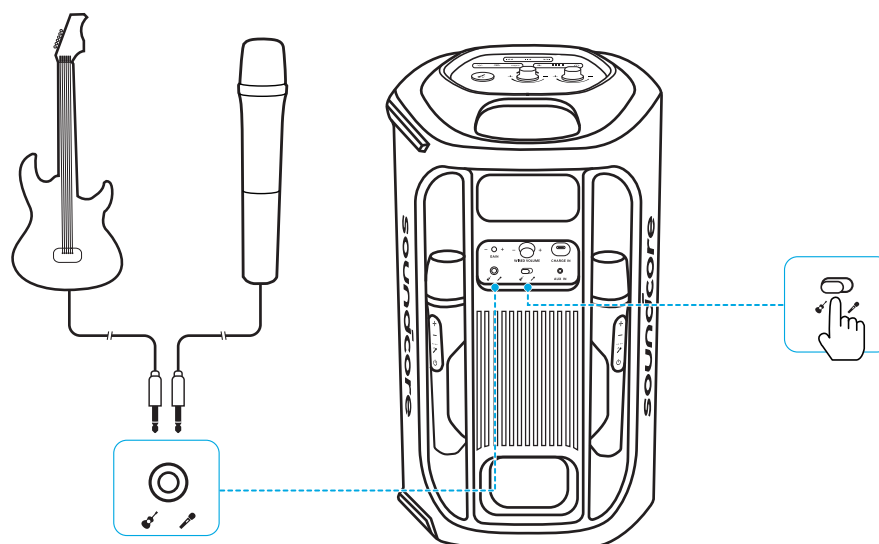
Manual Pairing of Wireless Microphones



If the wireless microphones don't connect automatically after powering on, follow the steps below to manually pair them with the speaker.

First, press and hold the Next Track and AI Vocal Removal buttons for 8 seconds on the speaker to reset pairing. Then press and hold the Volume Up and AI Vocal Removal buttons on both microphones for 8 seconds to complete pairing.

Guitar / Wired Microphone Connection



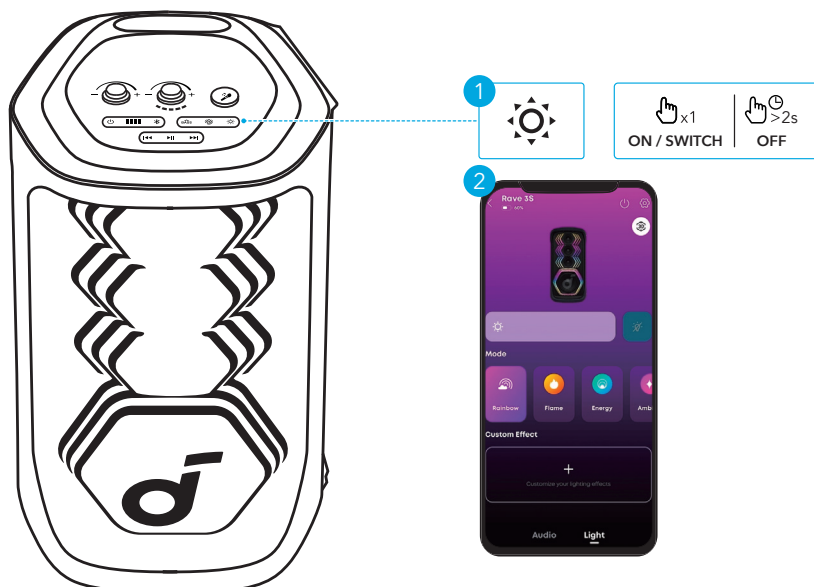
Connect a microphone or guitar to the speaker through 6.5mm audio cables (not supplied).



- After connecting a microphone or guitar to the speaker, make sure to set the toggle switch to the correct sound input.

LightShow

The LED lights change with the rhythm of the music.



	Press Once or Press Again	Turn Light On / Switch Light Effect
	Press and Hold for 2 Seconds	Turn Off



- You can also select your preferred light effect, or customize its pattern and brightness in the soundcore app.

soundcore App

Download the soundcore app to enhance your experience.



Google Play and the Google Play logo are trademarks of Google Inc.



Apple and the Apple logo are trademarks of Apple Inc.



Product information: Check the product name and software version, or read the user manual.

Firmware update: You will be informed once a new version of firmware is detected when you connect the speaker with the app.

Battery status: Indicates the remaining battery level of your speaker.

Volume control: Adjust the volume level via the app without pressing the buttons on the speaker.

EQ settings: There are various preset EQ settings you can choose from in the app to optimize your experience while enjoying different music genres.

- **soundcore Signature:** Standard EQ mode optimized for well-balanced sound.
- **Voice:** Voices stand out more clearly from other ambient sounds.
- **Treble Boost:** High frequencies are enhanced.
- **Balanced:** No enhancement for high-frequency and low-frequency sounds.

Set auto-power-off time: Set an auto-power-off time. The speaker will automatically power off when the time is up.

Voice prompt: Mute or restore the voice prompt while powering on/off.

Reset

Press and hold the Bluetooth button and Next Track button simultaneously for 8 seconds to reset the speaker.

Specifications

Charge Input	5V=3A
Battery Capacity	4900mAH/7.3V
Audio Output Power	200W
Speaker Driver	6.5" Woofer 2.5" Full-Range x3
Frequency Response	40Hz-20kHz
Charging Time	6H
Play Time (varies by volume level and music content)	Up to 12H
Bluetooth Version	5.3
Bluetooth Range	50m
Waterproof Rating	IPX4

1. Power consumption in standby mode: $\leq 0.5W$

2. Power management: $\leq 20min$

3. Information of applicable adapter:

Brand: ANKER

Manufacturer: Anker Innovations Limited

Model: A2337

Input: 100-240V~1.0A, 50-60Hz

Output: 5.0V = 3.0A, 15.0W / 9.0V = 3.0A, 27.0W / 12.0V = 2.5A, 30.0W / 15.0V = 2.0A, 30.0W / 20.0V = 1.5A, 30.0W (30.0W Max)

Default Open Port: Classic Bluetooth + BLE (Bluetooth Low Energy)

Port Description: After the device is powered on, both Classic Bluetooth visibility (or pairing mode) and BLE broadcasting are automatically enabled, providing Bluetooth pairing (or control) services. The Bluetooth service is disabled when the device is powered off.