



CAUTION

This product is NOT a permanent structure.

The fabric canopy top should never be left on during periods of heavy or extended rain, snow/sleet or any other inclement weather occurrence where high winds or wind gusts can occur.

If left on, damage to the gazebo and surroundings can occur.

If you have questions or concerns, do not return to the store. Please call the toll-free number 833-807-3550 for assistance.

BACKYARD
Creations®

13ft x 10ft Roof Style Gazebo

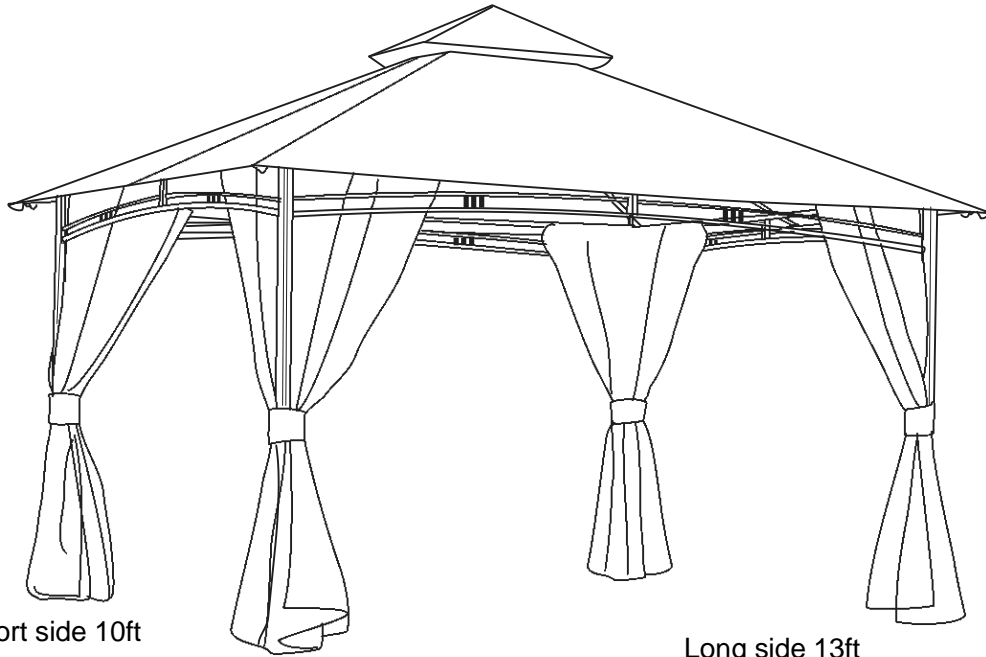
Durable Construction with
Fluted Steel Post

Inside Center Hanging Hook

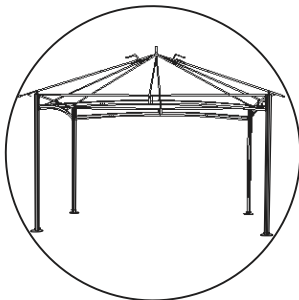
Hanging Hooks for Flowers
& Plants

Double Roof for Better
Ventilation

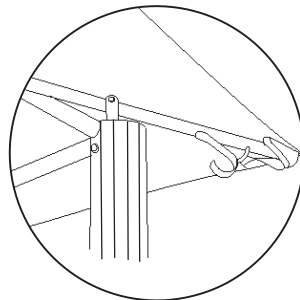
ASSEMBLY INSTRUCTIONS



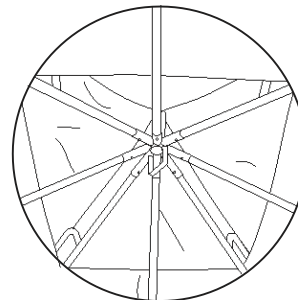
SKU# 272-1175
ITEM# 184DGZ1-PU-25
MFG# LGCD0809A



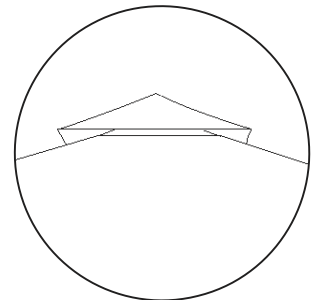
Durable Construction with
Fluted steel Post



Hanging Hooks for Flowers & Plants



Inside Center Hanging Ring



Double Roof for Better Ventilation

Rev 9-25-2024

Table of Contents

Table of Contents	2
Safety Information	2
Care Instructions	2
Parts List.....	3
Assembly	4~11

Safety Information



WARNING: Keep all flame and heat sources away from this tent fabric. This tent is made from fabric that meets CPAI-84 specification for flame resistance. It is not fireproof. The fabric will burn if left in continuous contact with any flame source. The application of any foreign substance to the tent fabric may render the flame-resistance properties ineffective.



WARNING: This Gazebo is **NOT** a permanent structure and is designed for sunshade and privacy and must be used under normal weather conditions. We recommend removal of the fabric canopy in windy conditions as gazebos catch wind similar to umbrellas. You must however completely disassemble the unit prior to any severe weather conditions such as thunderstorm, snow/sleet, hurricane, and/or heavy wind and rain. Failure to remove the fabric canopy or disassemble the unit will cause the gazebo to have structure damage or even structural collapse.



CAUTION: Always install on level ground utilizing tie down cords and ground stakes. Do not permanently anchor unit to wood deck or concrete surface.



CAUTION: Gazebo fabrics are water resistant but not waterproof and may leak during precipitation. Fabrics will fade from over exposure to direct sunlight.



CAUTION: Keep all children and pets away from assembly area. Begin assembly not less than 6 feet from any obstruction such as fence, garage, house, overhanging branches, clothesline or electrical wires. Some parts may contain sharp edges. Wear protective gloves if necessary. At least two or more people are recommended for safe assembly.







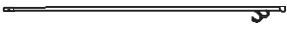




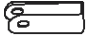
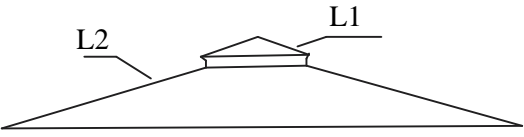
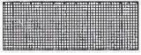




Assembly Manual and Video

For your convenience, we have created this detailed printed assembly manual, and we have also added a new assembly video on our product page on the Menard's website. Simply go to WWW.MENARDS.COM® and search for Menards SKU 272-1175 (this is the NEW 13'x10' Roof Style Gazebo – Color Black Frame w/ Gray Canopy.) Then scroll down to “ADDITIONAL RESOURCES” on the right side of the page and click on Assembly Instructions. The video will provide a step-by-step assembly overview.




Care Instructions

Before using, wipe frame with a clean, dry cloth. Do not use bleach or solvents. Treat/apply a one-step automotive type wax to the frame for maximum protection against UV light and salty damp air. To wash the fabric canopy, completely remove fabric canopy from gazebo frame, and use a solution of mild soap and water to hand wash, rinse thoroughly, air dry completely. Never use washing machine or dryer. Please properly tighten all hardware at time of assembly and then be sure to perform periodic inspections during usage to check for loose hardware and for cracked/damaged welds.

PARTS LIST

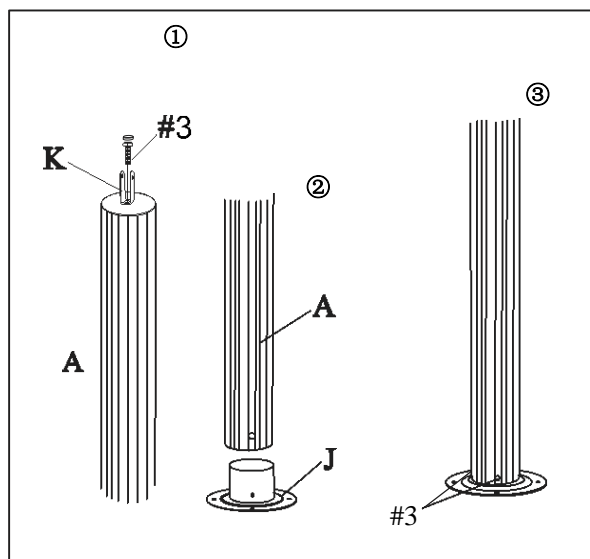
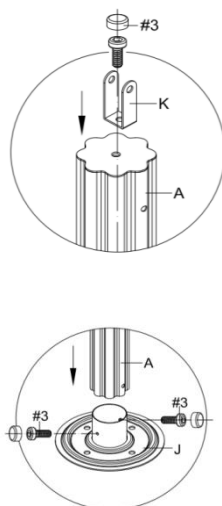
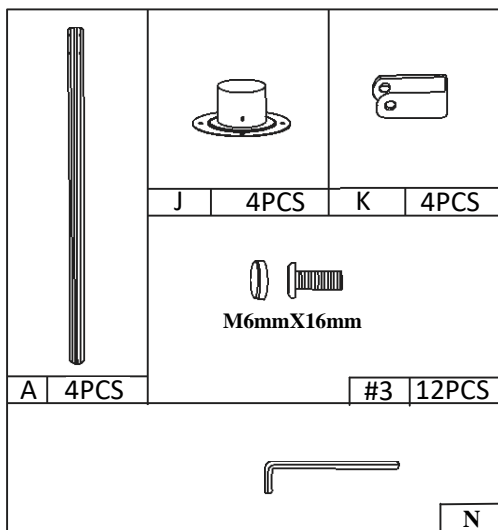
PART	ILLUSTRATION	DESCRIPTION	QUANTITY
A		Corner Post	4PCS
B		Short Beam	2PCS
C		Short Beam	2PCS
D		Long Beam	2PCS
E		Long Beam	2PCS
F1		Short Corner Roof Tube	4PCS
F2		Long Corner Roof Tube	4PCS
G		Middle Roof Tube	2PCS
H		Middle Roof Tube	2PCS
I		Roof Hub	1PC
J		Post Base	4PCS
K		Bracket	4PCS
L1		Vent Cover	1PC
L2		Main Canopy	1PC
M		Mosquito Netting	4PCS
N/ N1		Wrench	1SET
O		Post Anchor	8PCS
P		Tie Down Guy-Rope	4PCS
Q		Tie Down Guy-Rope Anchor	4PCS

HARDWARE AND ACCESSORIES

PART NO	PARTS	PARTS NAME	QTY
#1	 M6mmX60mm	Bolt and Nut	4PCS
#2	 M6mmX35mm	Bolt and Nut	4PCS
#3	 M6mmX16mm	Bolt	32PCS

Note: For your convenience, we have included a few extra hardware pieces to help ensure trouble free assembly, so please don't be concerned if you have a few pieces leftover. Save these for future use if needed.

STEP 1: CORNER POST AND PEDESTAL ASSEMBLY

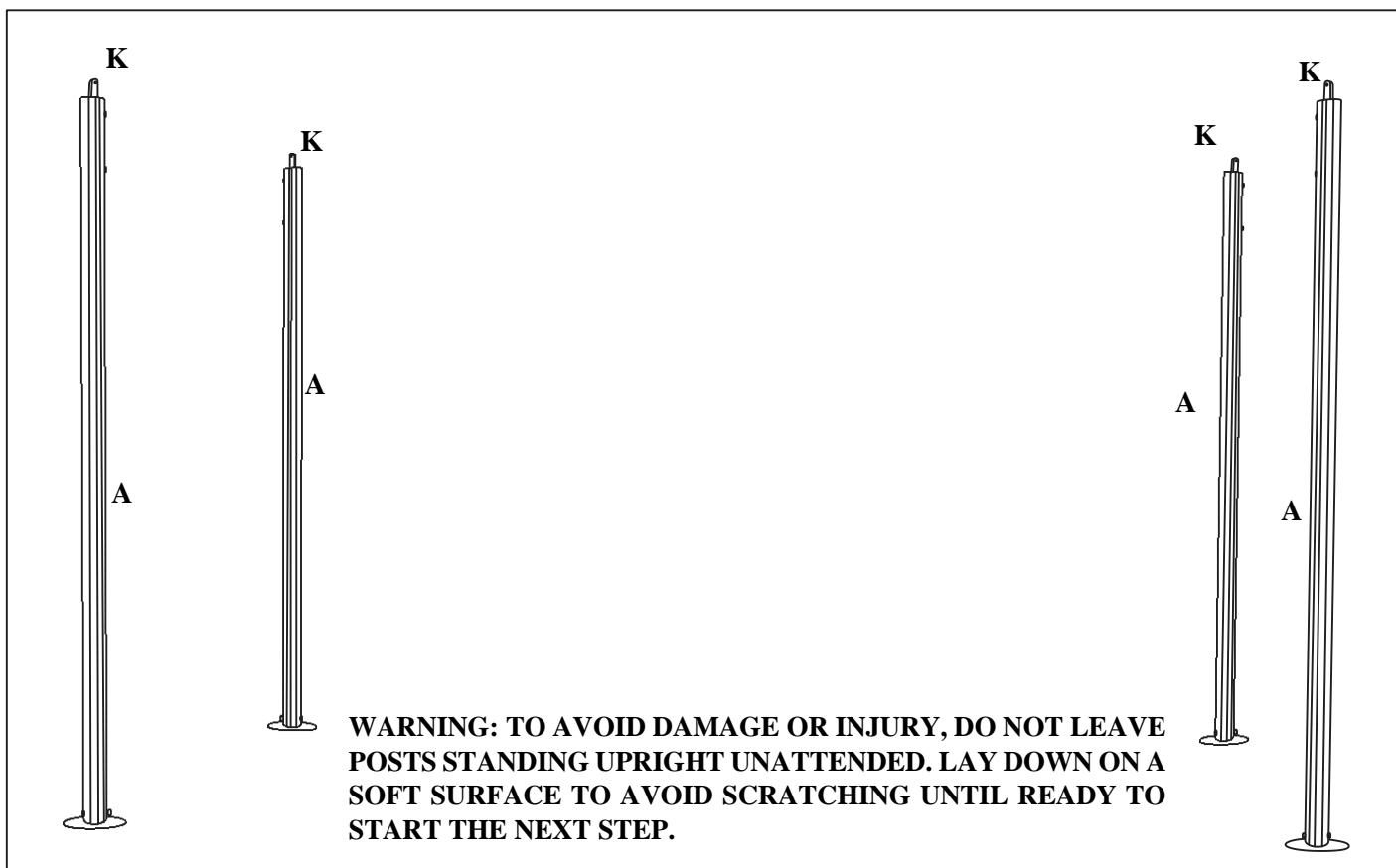


For this and all subsequent steps, refer to the image below the page for how the assemblies should look like when done.

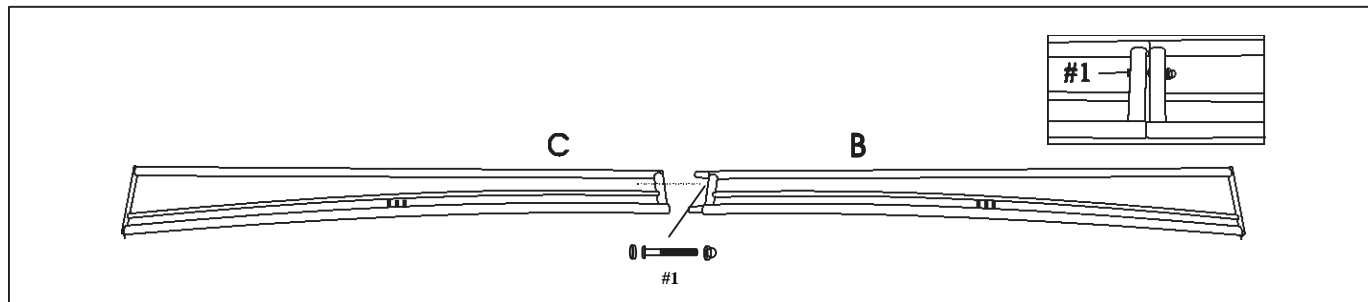
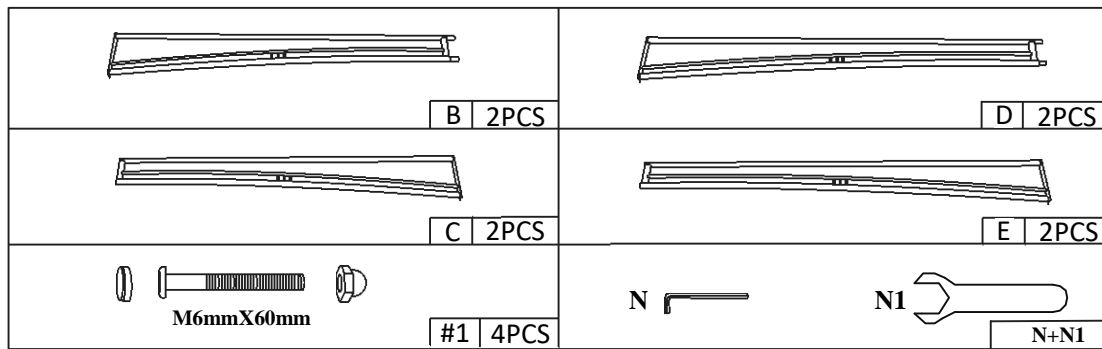
- 1) Attach Bracket K to the top of Corner Post A with Bolt #3. **DO NOT FULLY TIGHTEN (PART K, #3 BOLT) UNTIL AFTER THE ROOF ASSEMBLY STEP IS COMPLETED ON PAGE 7.**
- 2) Attach Post Base J to the bottom of Corner Post A with Bolts #3.
- 3) Repeat the above procedures for the other three corner posts.

NOTE: DO NOT OVERTIGHTEN ANY NUTS OR BOLTS...TIGHTEN UNTIL SNUG. TO AVOID STRIPPING AND BINDING OF THE HARDWARE, WE DO NOT RECOMMEND THE USE OF POWER TOOLS TO TIGHTEN ANY HARDWARE. PLEASE USE THE HAND TOOLS PROVIDED.

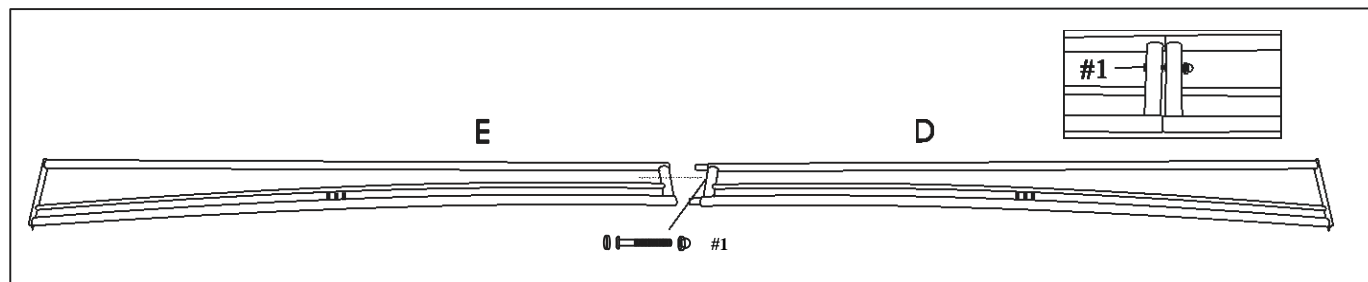
COMPLETED ASSEMBLY FOR STEP 1



STEP 2: BEAM ASSEMBLY

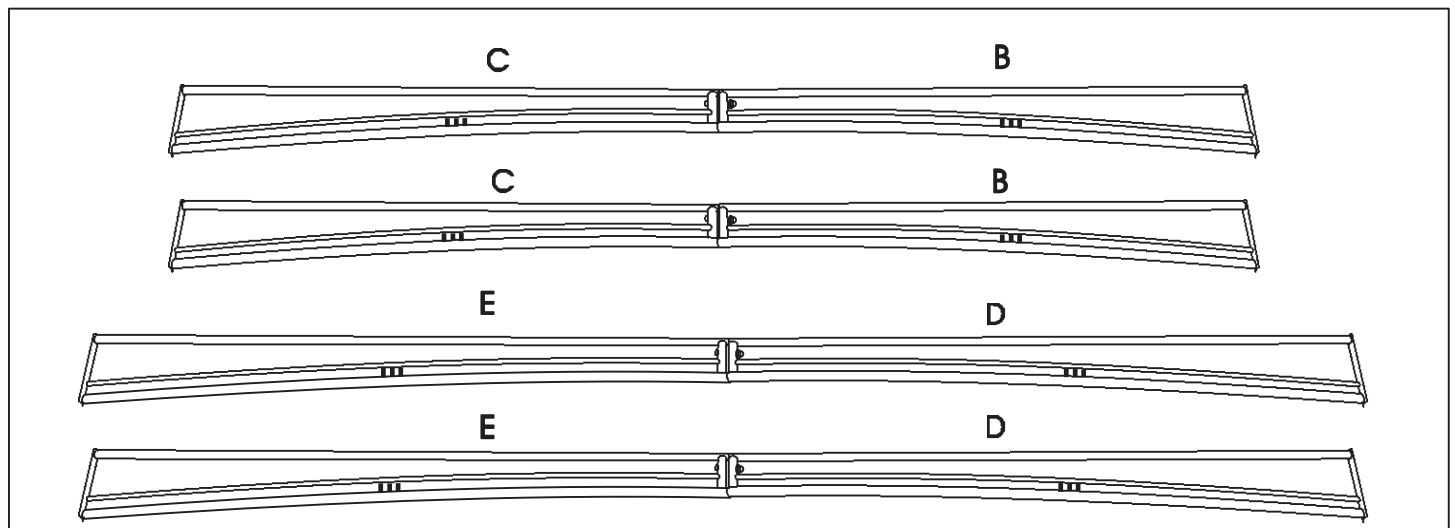


- 1) Insert Short Beam B into Short Beam C.
- 2) Use Bolt/Nut#1 to secure Short Beam C and Short Beam B to form a complete short beam.
- 3) Repeat above procedures 1) and 2) to assemble the other short beam.

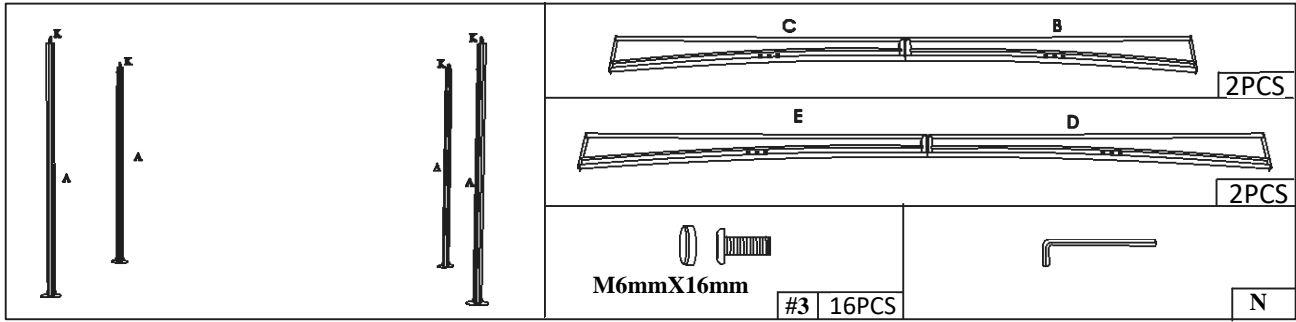


- 4) Insert Long Beam D into Long Beam E.
- 5) Use Bolt/Nut#1 to secure Long Beam E and Long Beam D to form a complete long beam.
- 6) Repeat the procedures 4) and 5) to assemble the other long beam.

COMPLETED ASSEMBLY FOR STEP 2



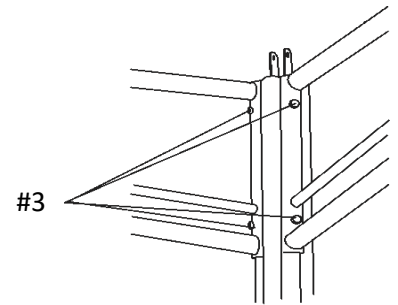
STEP 3: MAIN UPPER FRAME ASSEMBLY



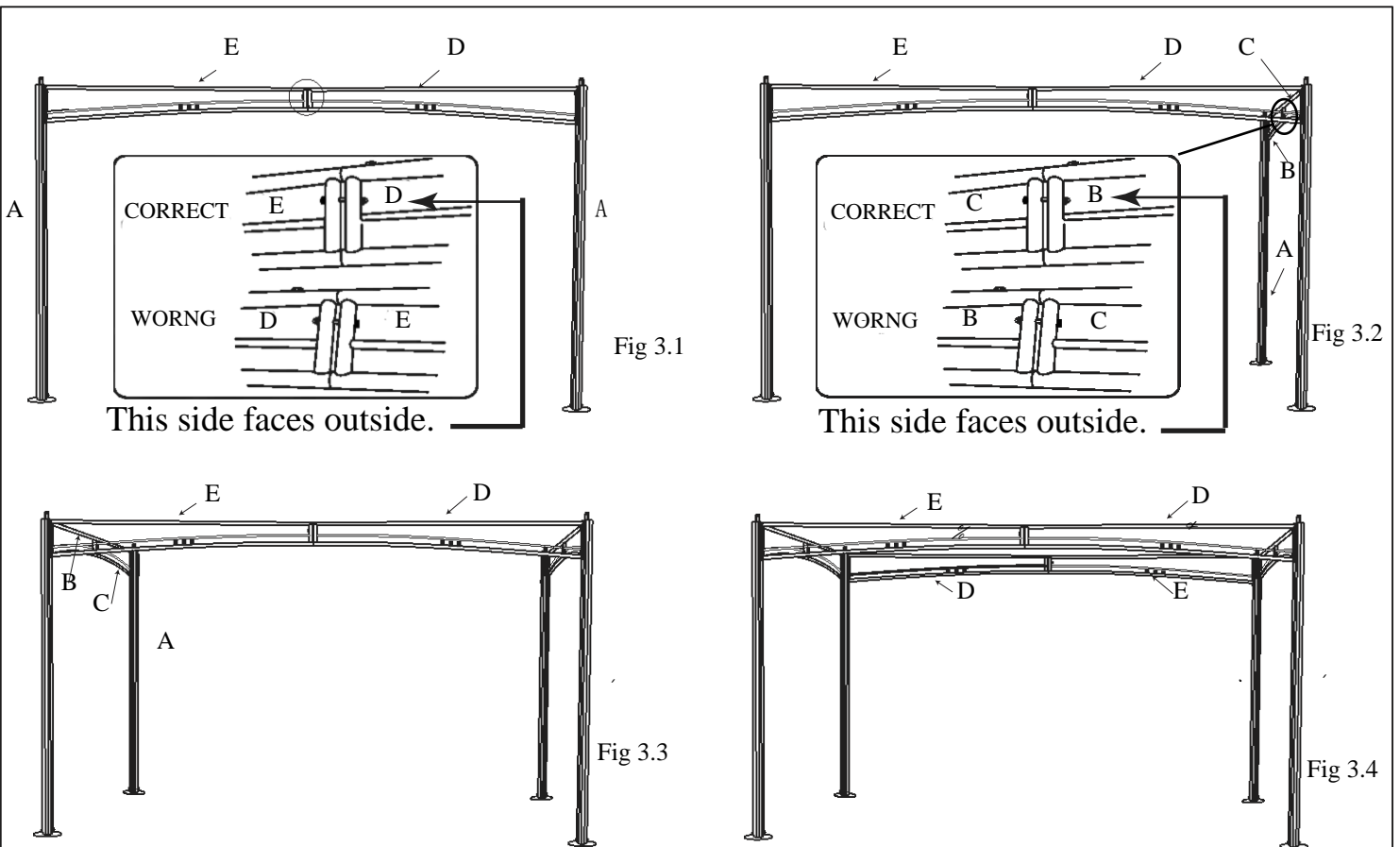
- 1) Please have a free standing ladder ready for ease of assembly.
- 2) Use 2 Bolts #3 to attach the B side of the assembled Short Beams to the outside right Corner Post A and 2 Bolts #3 to attach the C side of the assembled Short Beams to the outside left Corner Post A. (SEE ILLUSTRATION BELOW)
- 3) Use 2 Bolts #3 to attach the D side of the assembled Long Beams to the outside right Corner Post A and 2 Bolts #3 to attach the E side of the assembled Long Beams to the outside left Corner Post A. (SEE ILLUSTRATION BELOW)
- 4) Repeat the above procedures until the frame is up.

****IMPORTANT**

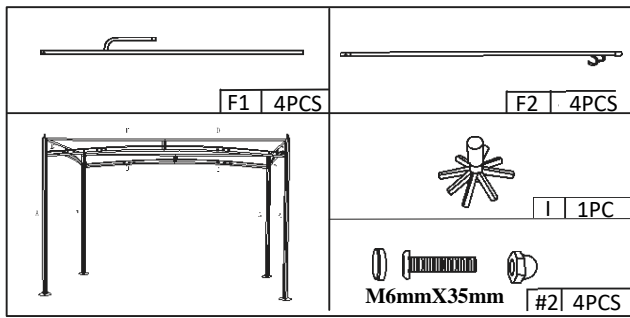
Please insure that all Side Beams follow Illustration below. Failure to do so may cause damage to canopy once placed on frame.



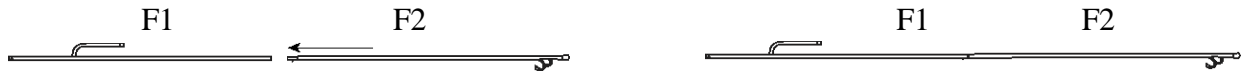
Assemble the Main Frame Step by Step



STEP 4: ROOF ASSEMBLY



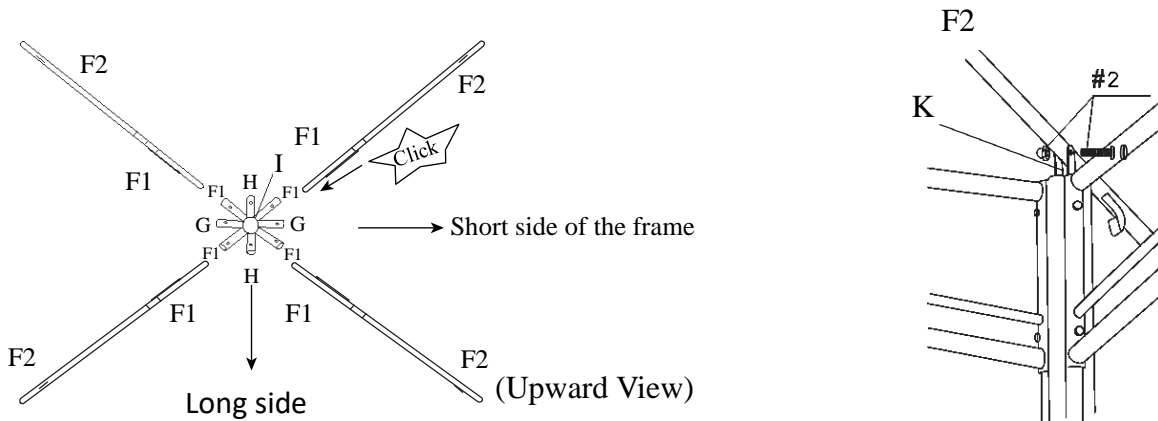
- 1) Connect Short Corner Roof Tube F1 and Long Corner Roof Tube F2 to form one complete corner roof tube. Repeat this to form four complete corner roof tubes.



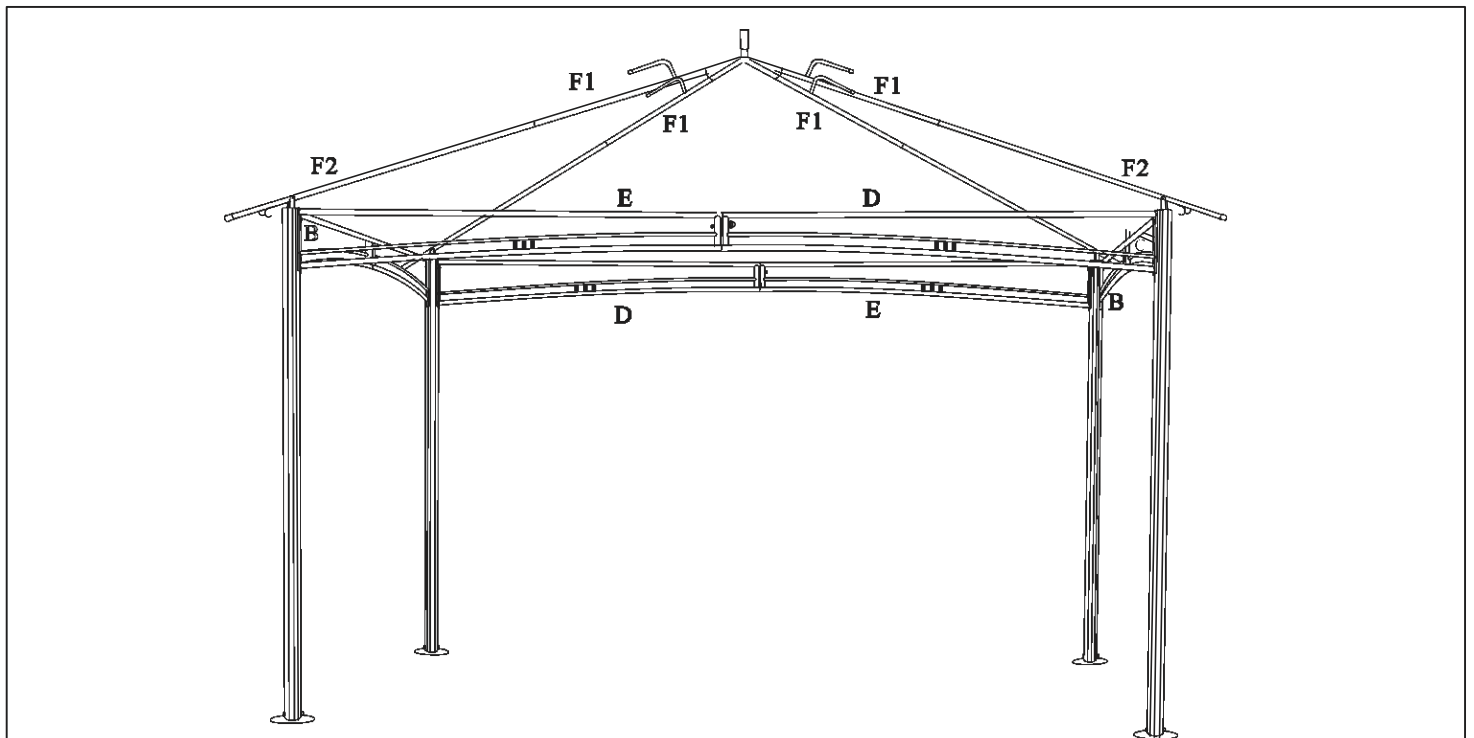
- 2) Please have a freestanding ladder ready at the center of the canopy gazebo.

- 3) Hold the Roof Hub I in the air, letting receivers (H) face the long side of the gazebo while receivers (G) face the short side.

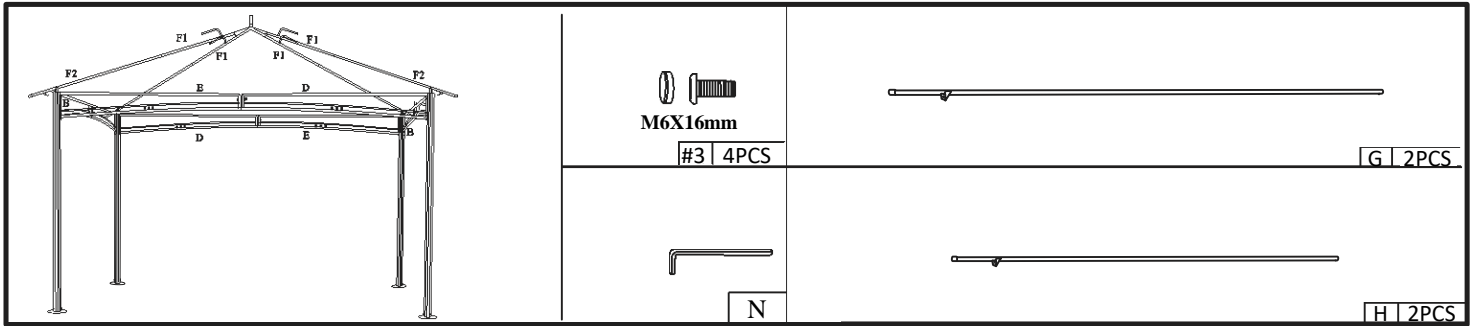
- 4) Snap in four complete corner roof tubes to the receivers (F1) of the Roof Hub I. Place Long Corner Roof Tubes F2 into the Bracket K located on the top of each Corner Post. Secure with Bolts and Nuts #2.



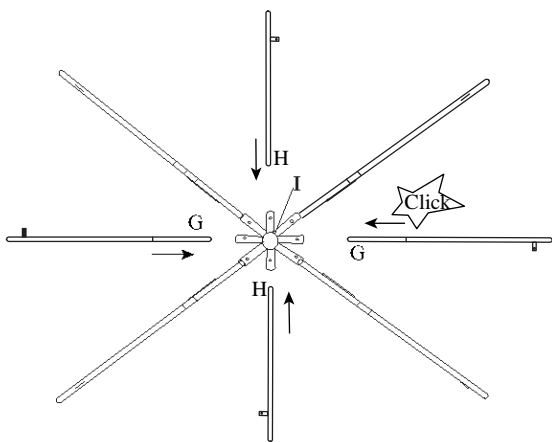
COMPLETED ASSEMBLY FOR STEP 4



STEP 5: ROOF ASSEMBLY

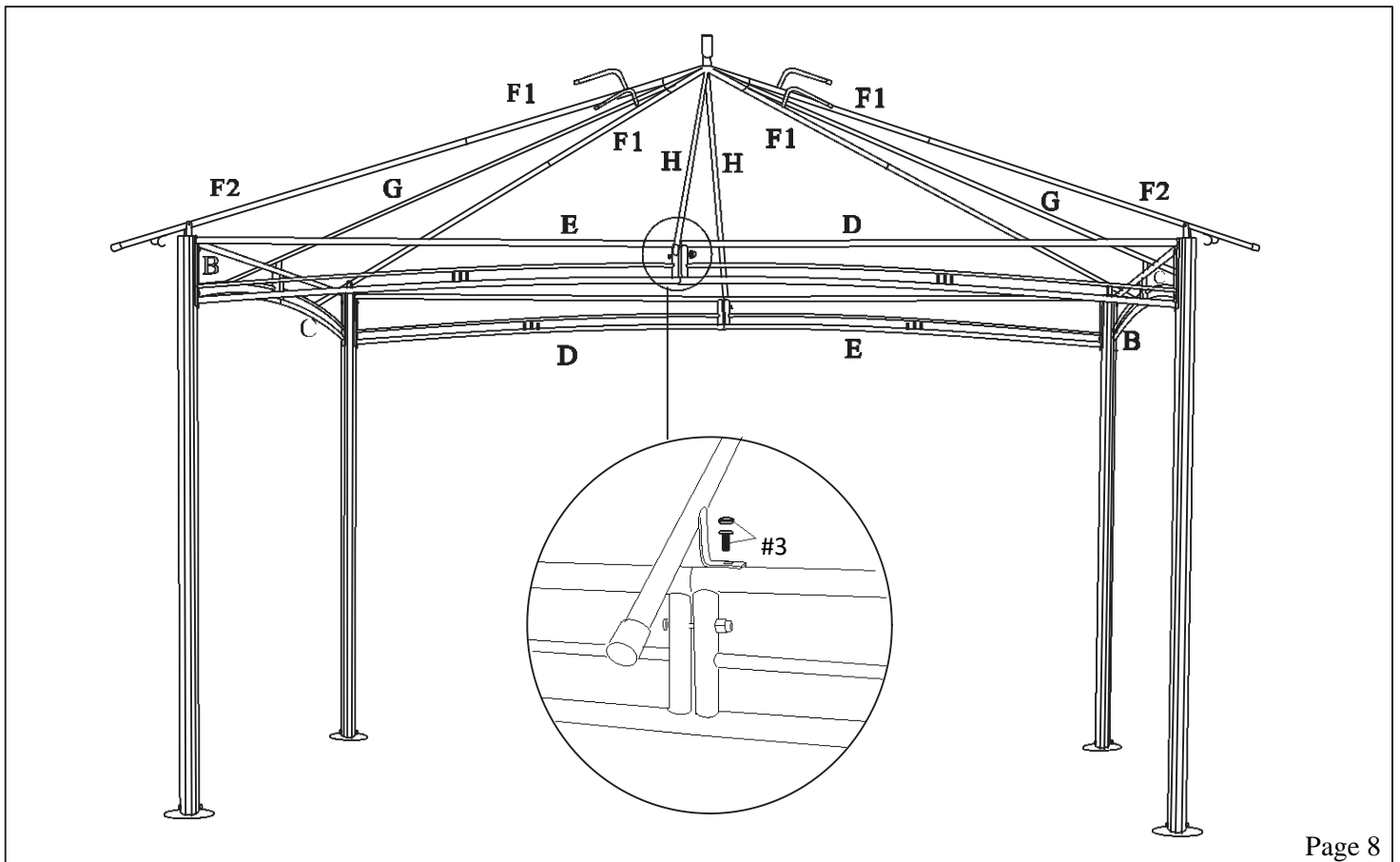


- 1) Snap in two Middle Roof Tubes G to the receivers (G) of the Roof Hub I.
- 2) Snap in two Middle Roof Tubes H to the remaining two receivers (H) of the Roof Hub I.
- 3) Secure the Middle Roof Tubes G to the Beams B using Bolts #3.
- 4) Secure the Middle Roof Tubes H to the Beams D using Bolts #3.



(Upward View)

COMPLETED ASSEMBLY FOR STEP 5



STEP 6: TOP CANOPY ASSEMBLY

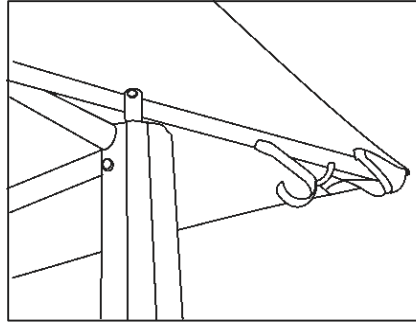
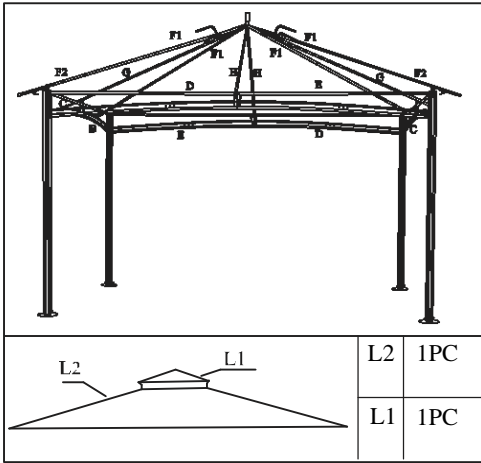


Fig. 6.1

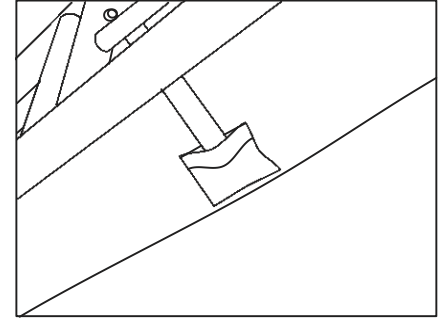


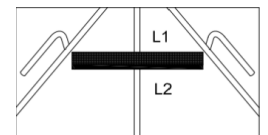
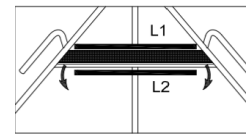
Fig. 6.2

1. Gently place Main Canopy L2 over roof frame. Pull the canopy down to each corner until all Corner Roof Tubes fit well into the corner pockets on Canopy. (Fig. 6.1)
Use the pockets in the middle of each side to cover each middle roof tube. (Fig. 6.2)

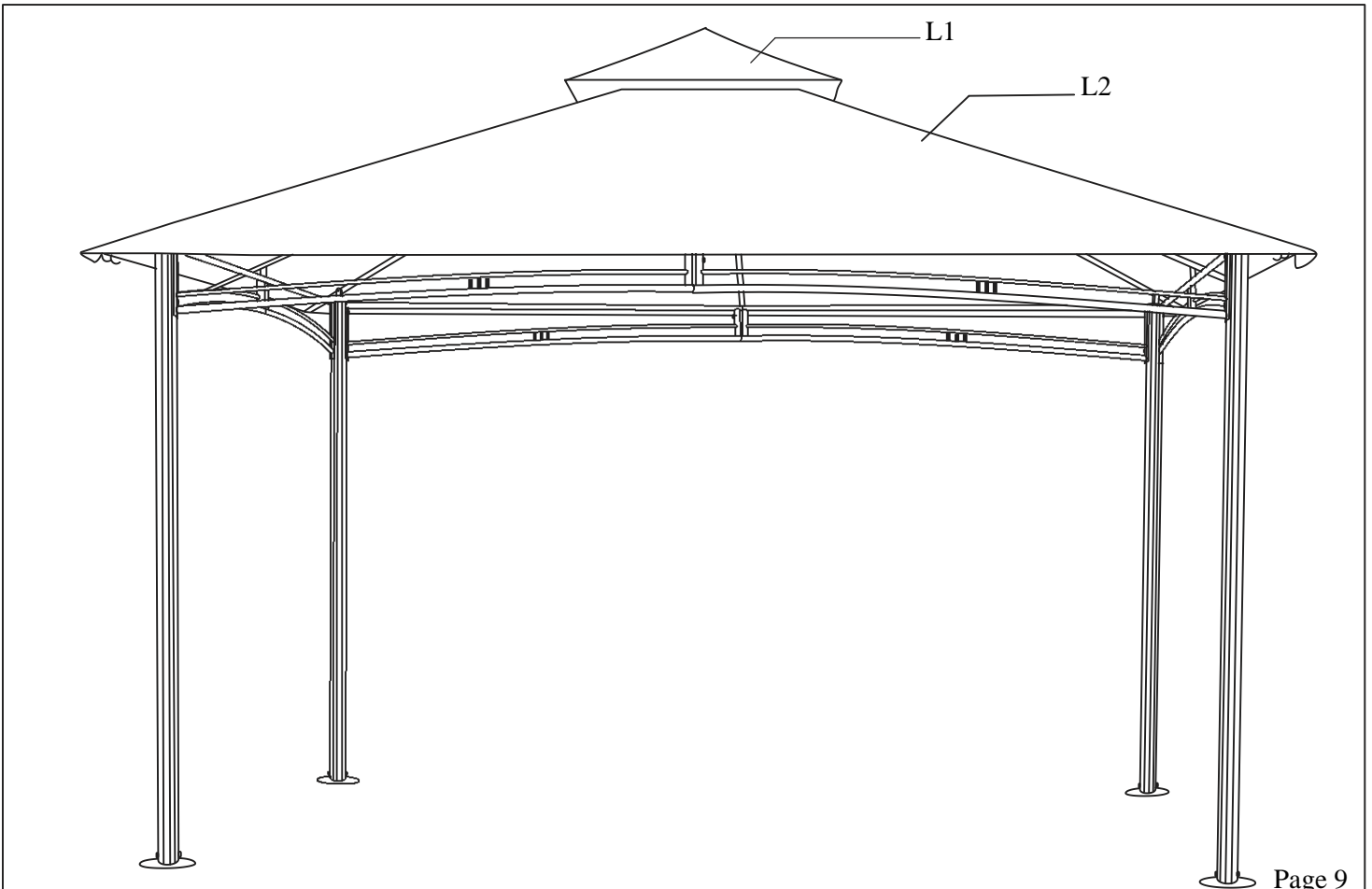
IMPORTANT:

The corner roof tubes should be placed into the corner pockets prior to placing the middle roof tubes into the middle pockets. This will help to place the canopy onto the roof with ease.

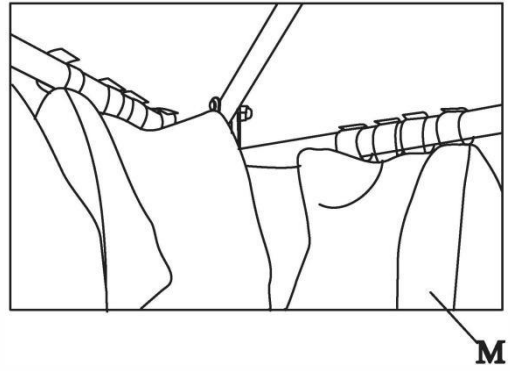
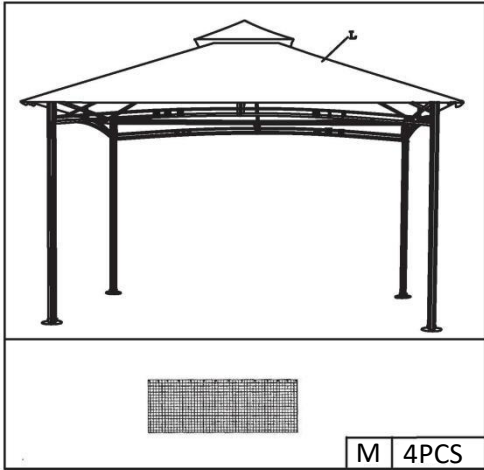
2. Gently place Vent Cover L1 (from under the Main Canopy) over Corner Roof Tubes F1.
Pull the Vent Cover down to each corner until all Roof Tubes fit well into the corner pockets on Vent Covers.
3. Velcro Vent Cover to Main Canopy from underneath.



COMPLETED ASSEMBLY FOR STEP 6



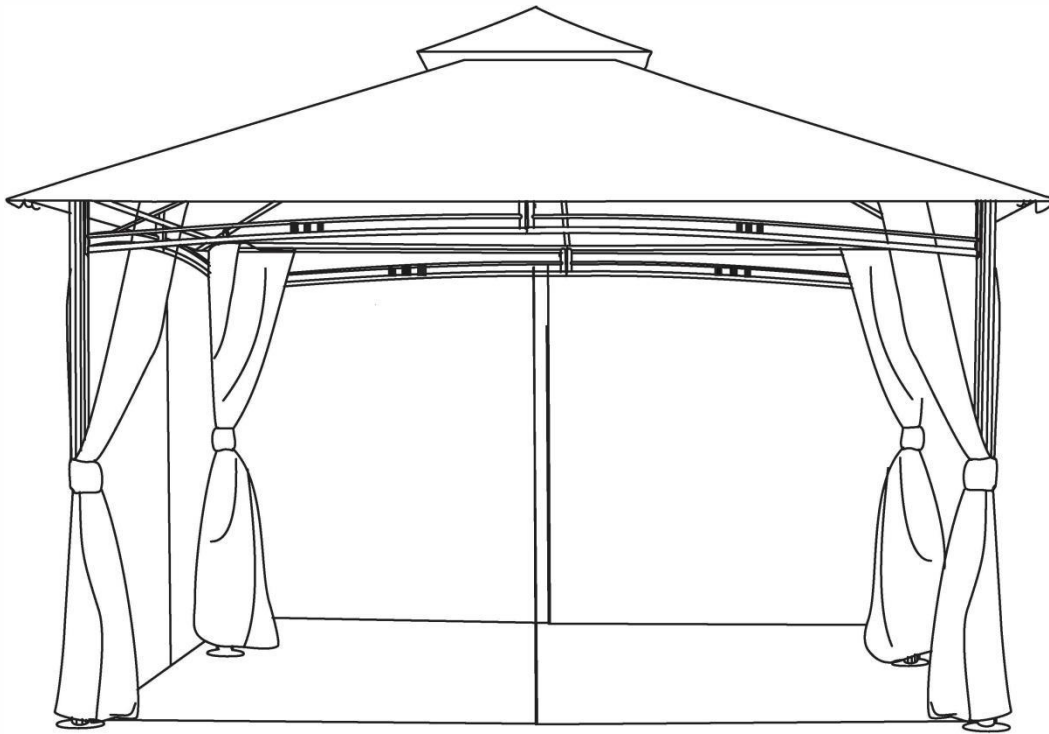
STEP7: NETTING ATTACHMENT



1) From the Tie Backs on the Mosquito Netting M, find the long side and short side of each panel. Attach the mosquito netting up from the inside of the garden house with hook and loop straps according to the long side and short side of frame.

- 2) Slide the mosquito netting open and close and test the zippers to make sure they match and run smoothly.
- 3) Please locate tiebacks sewn at the outer corner of the netting and always wrap around the corner posts.
- 4) The mosquito netting can also be held back to the posts. Unzip and slide the netting to the corner. Use the fabric tiebacks sewn to the inside of the netting corner to wrap the netting all around the corner post.

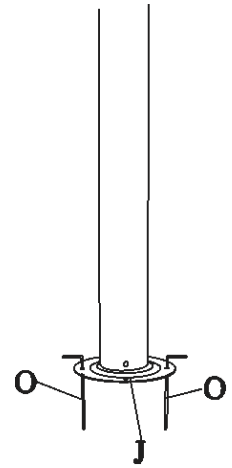
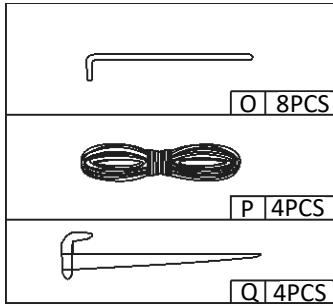
COMPLETED ASSEMBLY FOR STEP 7



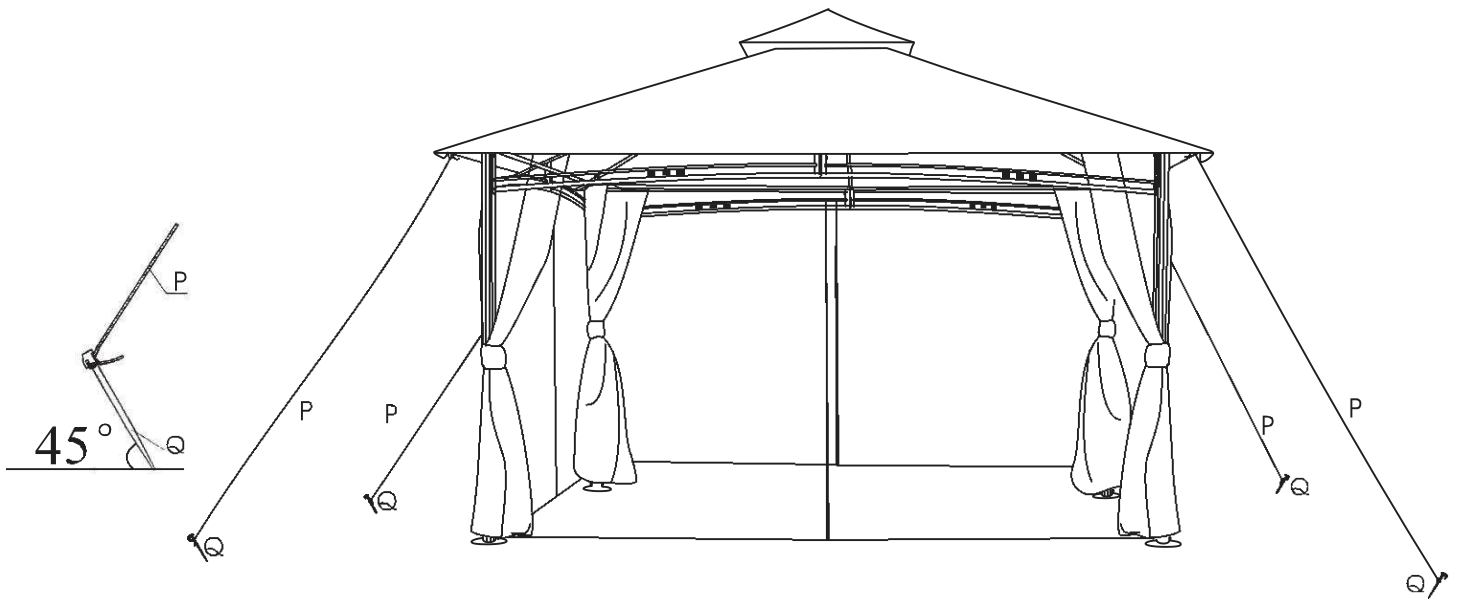
SUGGESTED NETTING USAGES



STEP 8: ANCHORING AND ACCESSORIES



- 1) Carefully adjust the position of the canopy gazebo and make sure four posts are standing completely upright on level ground. Hammer two Post Anchors O through the holes on each post base into the ground.
- 2) Measure out from post to the longest possible distance (to best use the length of the Tie Down Guy-Rope P) and secure Tie Down Guy-Rope Anchor Q to ground at 45 degree angle.
- 3) Repeat the above processes at each corner until the canopy gazebo is firmly anchored.
- 4) Reminder, your canopy gazebo is a shade and privacy structure and is not meant to be permanent. Please read warning page again for all safety precautions.



Congratulations! You are done with assembly.

Now call your friends and invite them over to celebrate your new canopy gazebo and enjoy.

Customer Service:

Call between 8:30am to 4:30pm C.S.T.

(Monday to Friday)

Linya Outdoor Living, LLC

P.O. Box 423

Ripon WI 54971

TEL: (833) 807-3550

Customer-Service@Linyaoutdoor.com

ITEM#: 184DGZ1-PU-25

MFG#: LGCD0809A