

Without CANBUS:



Troubleshooting
for Reverse Camera
Installation on
2GB RAM Products



Troubleshooting
for Reverse Camera
Installation on
4GB RAM Products

With CANBUS:



Troubleshooting
for Reverse Camera
Installation on
2GB RAM Products



Troubleshooting
for Reverse Camera
Installation on
4GB RAM Products



Scan with your phone to watch product installation videos

Q: How to determine if your vehicle is equipped with CANBUS ?

1. It features a factory-installed backup camera.
2. If your steering wheel controls work instantly without programming after installation, your vehicle has a CANBUS signal.

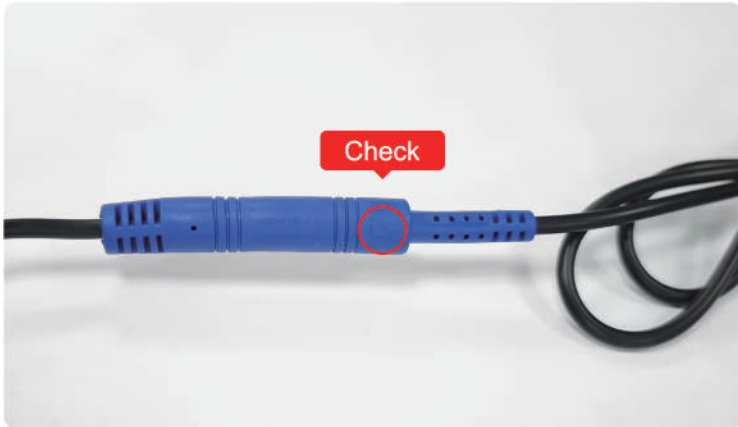
Q: There are two wiring methods for camera installation ?

Method 1 (For CANBUS-equipped vehicles): No connection to the factory reverse light positive wire is required. The CANBUS module provides the necessary power signal for the camera.

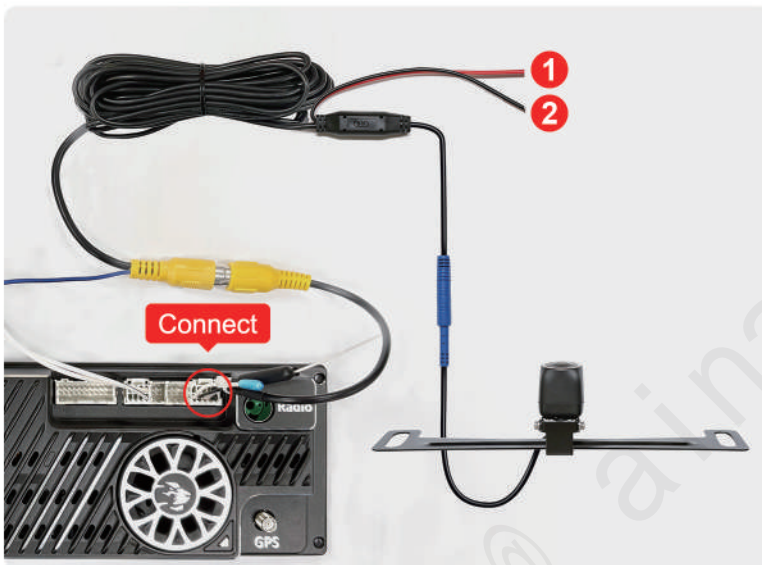
Method 2 (For no-CANBUS vehicles): Use a multimeter to locate the factory reverse light positive wire to provide power to the aftermarket camera.

⚠ IMPORTANT REMINDER: If your vehicle is not equipped with CANBUS, we do not recommend self-installation without basic electrical knowledge and a multimeter. Please reach out to our tech support team or consult a professional installer. Do not force any wiring connections. Incorrect wiring can permanently damage the camera or result in a "No Signal" display.

Troubleshooting Backup Camera Installation



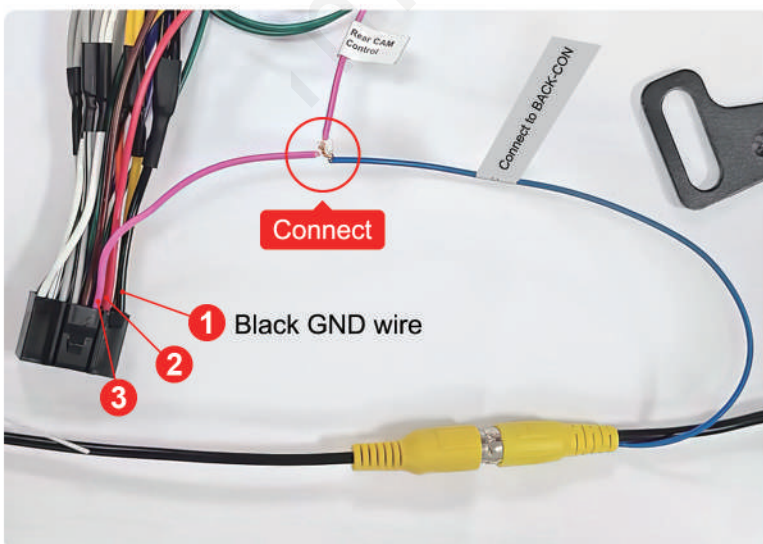
⚠ IMPORTANT: Check the orientation of the blue connector before plugging it in. Use the **embossed arrows** on the connector as a guide. If forced in the wrong direction, the pins inside will bend, and the camera will not display an image.



⚠ INSTALLATION TIP:

Connect **1** to the positive pole of the reversing light.

2 No connection required.



⚠ IMPORTANT: Reverse Trigger Connection

1. The Connection: Securely connect the reverse trigger wire to the camera's blue wire. Otherwise, the screen will not switch to the backup image.

2. Position: Identify the 3rd wire from the right of the connector, starting from the black Ground (GND) wire and counting to the left.

Note on Color: Ignore the wire color (it may be pink or brown). Simply ensure you use the 3rd wire position for the correct connection.