

Use & Care Guide
Manual de Uso y Cuidado

CONSERVATOR[®]

Upright Freezer

Congelador Vertical

Models/Modelos: VFUD15TW, VFUD18TW,
VFUD21UW

Crosley Corporation
916 Copperfield Blvd NE.
Concord, NC 28025
www.crosley.com

FZMACS-01-V3

Record Model/ Serial Numbers

Please read and save these instructions

This Use & Care Guide provides specific operating instructions for your model. Use your unit only as instructed in this guide.

These instructions are not meant to cover every possible condition and situation that may occur. Common sense and caution must be practiced when installing, operating, and maintaining any appliance.

Please record your model and serial numbers below for future reference. This information is found on the lower left wall inside the appliance.

Model Number: VFU

or

Serial Number: _____

Purchase Date: _____

IMPORTANT

Use only soap and water to clean serial plate.

Table of Contents


Record Model/Serial Numbers	2
Important Safety Instructions	2
Appliance Setup	5
Appliance Features	6
Temperature Control	8
Door Swing Reversal (Optional)	9
Care & Cleaning	12
Power or Appliance Failure	13
Before You Call	14
Warranty	17

Important Safety Instructions

Safety Precautions

Do not attempt to install or operate your unit until you have read the safety precautions in this Use & Care Guide. Safety items throughout this manual are labeled with a Danger, Warning, or Caution based on the risk type.

Definitions

 This is the safety alert symbol. It is used to alert you to potential personal injury hazards. Obey all safety messages that follow this symbol to avoid possible injury or death.

DANGER

DANGER indicates an imminently hazardous situation which, if not avoided, will result in death or serious injury.

WARNING

WARNING indicates a potentially hazardous situation which, if not avoided, could result in death or serious injury.

CAUTION

CAUTION indicates a potentially hazardous situation which, if not avoided, may result in minor or moderate injury.

IMPORTANT

Indicates installation, operation, or maintenance information which is important but not hazard-related.

Important Safety Instructions



DANGER

DANGER Risk of fire or explosion. Flammable refrigerant used. Do not use mechanical devices to defrost refrigerator.

Do not puncture refrigerant tubing.

DANGER Risk of fire or explosion. Flammable refrigerant used. To be repaired only by trained service personnel. Do not puncture refrigerant tubing.



CAUTION

CAUTION Risk of fire or explosion. Flammable refrigerant used. Consult repair manual/owner's guide before attempting to service this product. All safety precautions must be followed.

CAUTION Risk of fire or explosion. Dispose of properly in accordance with federal or local regulations. Flammable refrigerant used.

CAUTION Risk of fire or explosion due to puncture of refrigerant tubing. Follow handling instructions carefully. Flammable refrigerant used.



WARNING

Read all safety instructions before using your new appliance.

For Your Safety

- Do not store or use gasoline or other flammable liquids in the vicinity of this or any other appliance. Read product labels for warnings regarding flammability and other hazards.
- Do not operate the unit in the presence of explosive fumes.
- Remove and discard any spacers used to secure the basket during shipping.

Small objects are a choke hazard to children.

- Remove all staples from the carton. Staples can cause severe cuts and also destroy finishes if they come in contact with other appliances or furniture.

Child Safety

Destroy or recycle the carton, plastic bags, and any exterior wrapping material immediately after the unit is unpacked. Children should never use these items to play. Cartons covered with rugs, bedspreads, plastic sheets or stretch wrap may become airtight chambers and can quickly cause suffocation.

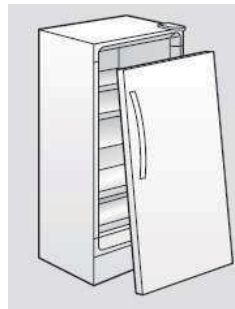
Proper disposal of your appliance

DANGER: Risk of child entrapment!

Child entrapment and suffocation are not problems of the past. Junked or abandoned appliances are still dangerous – even if they will sit for “just a few days.” If you are getting rid of your appliance, please follow the instructions below to help prevent accidents.

Before you throw away your old unit:

- Remove door.
- Leave shelves in place within appliance so children may not easily climb inside.
- Have refrigerant removed by a qualified service technician.



Important Safety Instructions



CAUTION

It may not open easily when you try to open the freezer door immediately after closing it. It is not a problem with the freezer because it is caused by the pressure difference. To solve this, it opens easily after a certain period of time (1 minute).

IMPORTANT

Your old unit may have a cooling system that used CFCs or HCFCs (chlorofluorocarbons or hydrochlorofluorocarbons). CFCs and HCFCs are believed to harm stratospheric ozone if released to the atmosphere. Other refrigerants may cause harm to the environment if released to the atmosphere. If you are throwing away your old unit, make sure the refrigerant is removed for proper disposal by a qualified technician. If you intentionally release refrigerant, you may be subject to fines and imprisonment under the provisions of environmental legislation.



WARNING

These guidelines must be followed to ensure that safety mechanisms in this unit will operate properly.

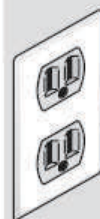
Electrical Information

- **The unit must be plugged into its own dedicated 10 amp minimum, 115 Volt, 60 Hz, AC only electric outlet.** The power cord of the appliance is equipped with a three-prong grounding plug to protect against shock hazards. It must be plugged directly into a properly grounded three-prong receptacle. The receptacle must be installed in accordance with local codes and ordinances. Consult a qualified electrician. Do not use an extension

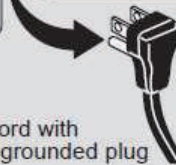
cord or adapter plug.

- Immediately repair or replace any power cord that becomes frayed or damaged.
- Never unplug the appliance by pulling on the power cord. Always grip the plug firmly, and pull straight out from the receptacle to prevent damaging the power cord.
- Unplug the appliance before cleaning and before defrosting to avoid electrical shock.
- Performance may be affected if the voltage varies by 10% or more. Operating the unit with insufficient power can damage the motor. Such damage is not covered under the warranty.
- Do not plug the unit into an outlet controlled by a wall switch or pull cord to prevent the appliance from being turned off accidentally.
- Avoid connecting unit to a Ground Fault Circuit Interruptor (GFCI).

Grounding type wall receptacle



Do not, under any circumstances, cut, remove, or bypass the grounding prong.



Power cord with 3-prong grounded plug

Appliance Setup

This Use & Care Guide provides specific operating instructions for your model. Use the unit only as instructed in this Use & Care Guide. **Before starting the appliance, follow these important setup steps.**

Installation

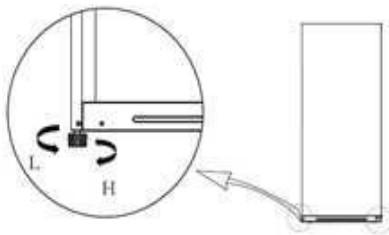
- Choose a place that is near a grounded electrical outlet. Do Not use an extension cord or an adapter plug.
- For the most efficient operation, the appliance should be located where surrounding temperatures will not exceed 110°F (43°C). Temperatures of 32°F (0°C) and below will NOT affect appliance operation. Additional compressor heaters are not recommended.
- Allow space around the unit for good air circulation. Leave a 1-inch (25.4 mm) space at the back and on top and a 3/8-inch (9.5 mm) space on the sides of the appliance for adequate circulation.

Leveling

The appliance must have all bottom corners resting firmly on a solid floor that is strong enough to support a fully loaded appliance.

It is Very Important for the appliance to be level in order to function properly. If not level, the door may be misaligned and not close or seal properly, causing cooling, frost, or moisture problems.

The appliance is equipped with adjustable front leveling feet. Turn the foot clockwise to heighten (H) the side of the unit. Turn counterclockwise to lower (L) the side. Adjust each side as needed until front of unit is level. Also adjust so that front of unit is 1/4" higher than back, so that door stays closed.



Cleaning

- Wash any removable parts, the appliance interior, and exterior with mild detergent and warm water. Wipe dry. Do not use harsh cleaners on these surfaces.
- Do not use razor blades or other sharp instruments, which can scratch the appliance surface when removing adhesive labels. Any glue left from the tape can be removed with a mixture of warm water and mild detergent, or touch the residue with the sticky side of tape already removed. Do not remove the serial plate.

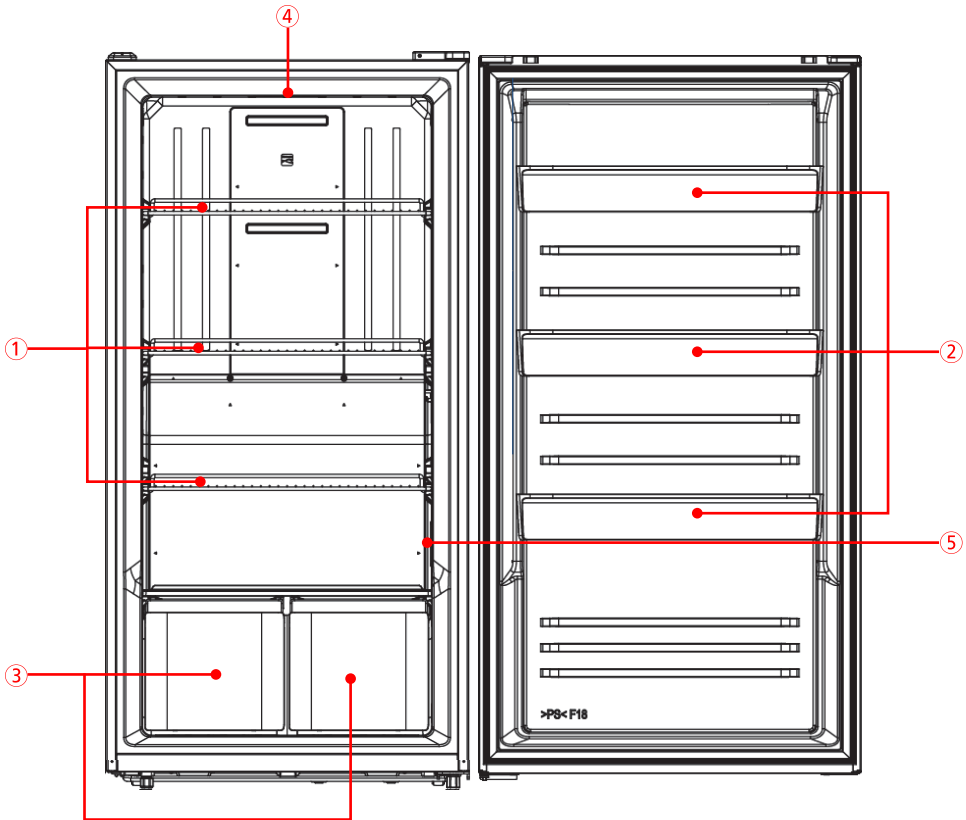
Energy Saving Ideas for Freezer Mode



- The freezer should be located in the coolest area of the room, away from heat producing appliances or heating ducts, and out of direct sunlight.
- Let hot foods cool to room temperature before placing in freezer. Overloading the freezer forces the compressor to run longer. Foods that freeze too slowly may lose quality or spoil.
- Be sure to wrap foods properly, and wipe containers dry before placing them in the freezer. This cuts down on frost build-up inside the freezer.
- Do not line freezer shelves and bins with aluminum foil, wax paper, or paper toweling. Liners interfere with cold air circulation, reducing freezer efficiency.
- Organize and label food to reduce lid openings and avoid extended searches.
- Remove as many items as needed at one time, and close door as soon as possible.

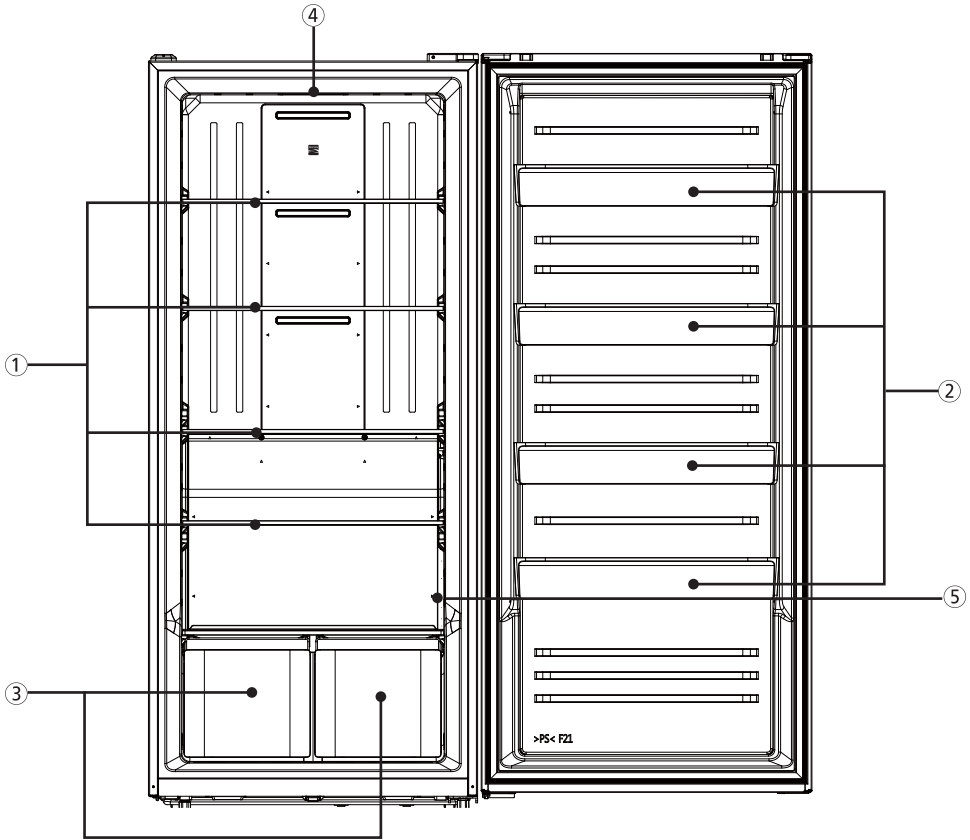
Appliance Features

- VFUD15TW(15cf) / VFUD18TW(18cf)



- ① Freezer Compartment Shelves
- For storage of frozen food, meat, fish, ice cream
- ② Freezer Compartment Door Bins
- For storage of frozen food.
- ③ Freezer Compartment Drawer Bins
- For storage of frozen food.
- ④ LED Light
- For lighting the freezer interior
- ⑤ Temperature Control Panel
- For choosing the ideal temperature for food

- VFUD21UW (21cf)



- ① Freezer Compartment Shelves
- For storage of frozen food, meat, fish, ice cream
- ② Freezer Compartment Door Bins
- For storage of frozen food.
- ③ Freezer Compartment Drawer Bins
- For storage of frozen food.
- ④ LED Light
- For lighting the freezer interior
- ⑤ Temperature Control Panel
- For choosing the ideal temperature for food

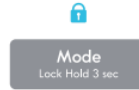
Temperature Control (VFUD15TW, VFUD18TW, VFUD21UW)



Freezer Use

- To turn the freezer on, plug the power cord into a properly grounded 3 prong electrical outlet. The green Power On light located on the temperature control will illuminate.
- For safe food storage, allow four hours after plugging the for the freezer to cool down completely. The freezer will run continuously for the first several hours. Foods that are already frozen may be placed in the freezer after the first few hours of operation. Unfrozen foods should NOT be loaded into the freezer until the freezer has operated for four hours..
- When loading the freezer, freeze only three pounds of fresh food per cubic foot of freezer space at one time. Distribute packages to be frozen evenly throughout the freezer.

① Lock function



The control panel must be unlocked in order to change the temperature setting.

Unlock: Press and hold the Mode button for 3 seconds. After the Lock icon blinks 3 times and then goes off the panel is unlocked.

Lock: Press and hold the Mode button for 3 seconds. After the Lock icon blinks 3 times and then stays on the panel is locked.

NOTE

The control panel automatically locks itself if Mode button is not pressed for 20 seconds.

② Freezer Temperature

- Cold
- ▶ ■ Colder Recommended
- Coldest

Press the Mode button and the temperature setting changes in the sequence as shown below:
Colder Coldest Cold

Setting	Cold	Colder	Coldest
Temperature (°C)	-15	-18	-21
Temperature (°F)	6	0	-6

Door Swing Reversal (Optional)

The refrigerator is shipped with the doors opening from left to right. To reverse the door swing to open from right to left, perform the steps in the following procedure.

Tools Required (Not Included) :

10mm and 8mm box end or socket wrench, Phillips screwdriver, flat blade screwdriver



WARNING

Before reversing door, be sure to unplug the freezer. Failure to unplug may result in serious injury or death from electric shock.

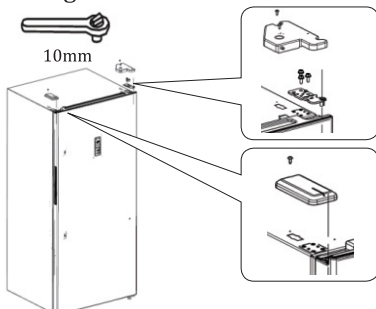


CAUTION

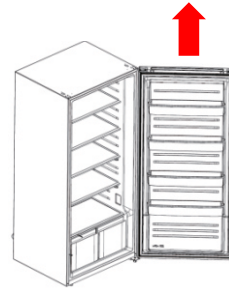
To avoid personal injury and property damage, obtain assistance from another person to perform door reversal. Also, before door reversal, remove shelves, bins and food from refrigerator.

NOTICE: The following procedure as described may differ in certain details from actions required to reverse the door swing.

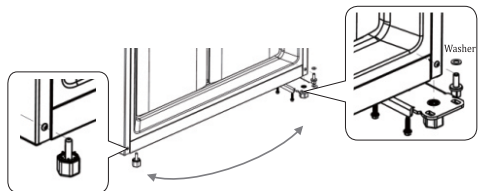
- 1 Remove the screws attaching the top hinge cover to the cabinet right top corner. Raise cover and detach wire harness from door light switch within cover. Remove top hinge cover. Use a 10mm box end or socket wrench to remove the screws attaching top hinge to cabinet. Remove top hinge. Remove screw attaching rectangular cover to cabinet left top corner. Remove rectangular cover.



- 2 Open door being careful not to let it fall down. With the aid of an assistant lift door straight up to remove it from bottom hinge. Place door on a non-scratching surface.



- 3 With aid of assistant, carefully tilt unit onto its back to lay on the floor. Unscrew and remove leveling leg from bottom left corner of cabinet. Use an 8mm box end or socket wrench to loosen screws attaching bottom hinge to cabinet bottom right corner. Remove bottom hinge. Remove hinge pin and washer from right side of hinge and reinsert into hole in hinge left side. Use removed screws to attach hinge to cabinet bottom left corner. Screw previously removed leveling leg into place on cabinet bottom right corner. With aid of assistant, raise unit back to upright position.

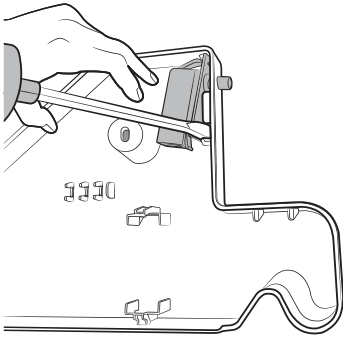


Door Swing Reversal (Optional)

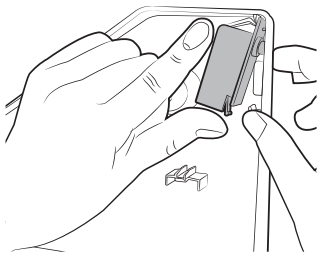
- ④ Locate the cabinet left corner top hinge cover in the accessories bag shipped with the appliance. Detach the door light switch from the previously removed right corner top hinge cover and attach it to the left corner top hinge cover according to the following instructions.

To detach switch:

1. Insert flat blade screwdriver tip into gap between non-plunger side of switch and hinge cover wall. Carefully pry back tip against wall to release that side of switch.

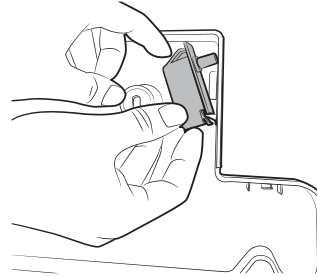


2. Push and hold plunger all the way in and raise switch out of hinge cover.

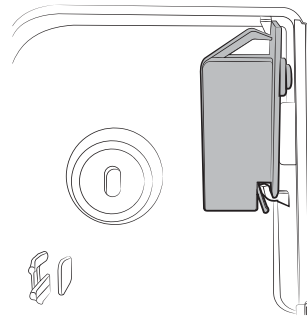


To attach switch:

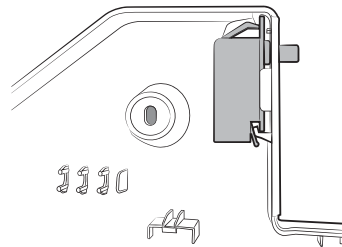
1. Secure tab on non-plunger side of switch beneath its hinge cover wall hook.



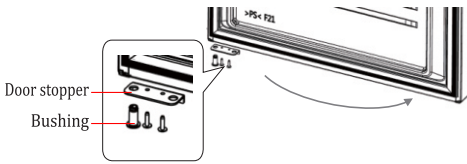
2. Raise switch slightly and push plunger down against side of hinge cover wall.



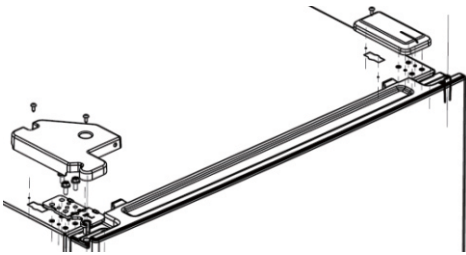
3. Lower switch down to secure tab on plunger side beneath its hinge cover wall hook. At same time plunger will pop through its hole in hinge cover wall.



- 5** Remove screws and bushing attaching door stopper to door bottom left corner. If necessary use flat blade screwdriver to pry bushing out. Remove stopper. Reverse orientation of stopper and insert bushing and screws to attach stopper to door bottom right corner. With aid of assistant lower the door onto the bottom hinge so that the bottom hinge pin inserts into the door stopper bushing.



- 6** Locate the cabinet left corner top hinge in the accessories bag shipped with the appliance. With screws removed in step 1, use a 10mm box end or socket wrench to attach the left corner top hinge to the cabinet left top corner. Attach wire harness to door light switch in left top corner hinge cover. Use screws removed in step 1 to attach hinge cover to cabinet left top corner. Use screw removed in step 1 to attach rectangular cover into position on cabinet right top corner.



Automatic Defrost

The appliance is equipped with automatic defrost capability so that you do not have to manually defrost. The cooling element of the unit is regularly heated to melt the frost that forms on it.

The resulting water drains through a duct at the back of the unit and into a concealed pan at the base of the unit where it evaporates. Should any frost form on the unit interior walls, remove food and store it elsewhere. Then unplug the unit, wait long enough for the frost to melt, and wipe up the moisture with a dry towel.

Rear Wheels

The appliance is equipped with rear wheels to help you roll it into or out of a location.

CAUTION: Obtain the aid of an assistant if the appliance feels too heavy for you to safely move it.

Interior LED Lighting

The appliance features interior LED lighting, which is more effective and longer lasting than incandescent bulbs. However, in the unlikely event that the LED fails to light, call 1-833-946-4239 to schedule repair service to replace it.

Care & Cleaning



CAUTION

Damp objects stick to cold metal surfaces. Do not touch inferior metal surfaces with wet or damp hands.

Cleaning the Inside

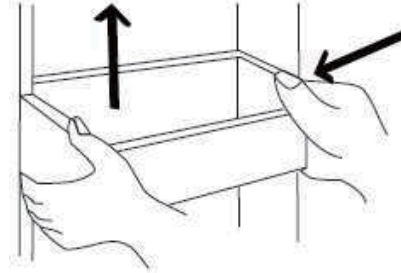
Wash inside surfaces of the appliance with a solution of two tablespoons of baking soda in one quart (1.1 liters) warm water. Rinse and dry. Wring excess water out of the sponge or cloth when cleaning in the area of the controls, or any electrical parts.

Wash the removable parts and baskets with the baking soda solution mentioned above, or mild detergent and warm water. Never use metallic scouring pads,

brushes, abrasive cleaners, or alkaline solutions on any interior surface. Do not wash removable parts in a dishwasher.

Cleaning Door Bins

To remove the door bins for cleaning, use both hands to squeeze the tray in from both ends and push upward.



Cleaning the Outside

Wash the cabinet with warm water and mild liquid detergent. Rinse well and wipe dry with a clean soft cloth. Never use metallic scouring pads, brushes, abrasive cleaners, or alkaline solutions on any exterior surface.

Vacation and Moving Tips



WARNING

If leaving the appliance door open while on vacation, make certain that children cannot get into the appliance and become entrapped.

Short Vacations: Leave the appliance operating during vacations of less than three weeks.

Long Vacations: If the appliance will not be used for several months:

- Remove all food and unplug the power cord.
- Clean and dry the interior thoroughly.
- Leave the appliance door open slightly, blocking it open if necessary, to prevent odor and mold growth.

Moving: When moving the appliance, follow these guidelines to prevent damage:

- Disconnect the power cord plug from the wall outlet.

- Remove foods and clean the appliance interior.
- Secure all loose items such as bins and shelves by taping them securely in place to prevent damage.
- In a moving vehicle, secure appliance in an upright position to prevent movement. Also protect outside of appliance with a blanket, or similar item.

NOTE

If unit is turned off or unplugged for several hours, do not open appliance door unnecessarily. This will maintain the coldest temperature inside and reduce the recovery time to desired temperature once the unit is turned back on.

Power or Appliance Failure

If a power failure occurs, frozen foods will stay frozen for at least 24 hours if the appliance door is kept closed. If the power failure continues, pack seven or eight pounds of dry ice into the appliance every 24 hours. Look in the Yellow Pages under Dry Ice, Dairies, or Ice Cream manufacturers for local dry ice suppliers. Always wear gloves and use caution when handling dry ice.

If the appliance has stopped operating, see Appliance does not run in the Troubleshooting Guide. If you cannot solve the problem, call an authorized servicer immediately. If the appliance remains off for several hours, follow the directions above for the use of dry ice during a power failure. If necessary, take the food to a local locker plant until the appliance is ready to operate. Look in the Yellow Pages under Frozen Food Locker Plants.

Before You Call

TROUBLESHOOTING GUIDE	Before calling for service, review this list. It may save you time and expense. This list includes common occurrences that are not the result of defective workmanship or materials in this appliance.	
CONCERN	POTENTIAL CAUSE	COMMON SOLUTION
Appliance does not run.	<ol style="list-style-type: none"> 1. Unit is plugged into a circuit that has a ground fault interrupt. 2. Temperature control is in the OFF position. 3. Unit may not be plugged in or plug may be loose. 4. House fuse blown or tripped circuit breaker. 5. Power outage. 	<ol style="list-style-type: none"> 1. Use another circuit. If you are unsure about the outlet, have it checked by a certified electrician. 2. See Temperature Control Section. 3. Ensure plug is tightly pushed into outlet. 4. Check house fuse or circuit breaker. 5. Check house lights. Call local Electric Company.
Appliance runs too much or too long.	<ol style="list-style-type: none"> 1. Room or outside weather is hot. 2. Unit has recently been disconnected for a period of time. 3. Large amounts of warm or hot food have been stored recently. 4. Door is opened too frequently or long. 5. Door may be slightly open. 6. Temperature Control is set too low. 7. Door gasket is dirty, worn, cracked, or poorly fitted. 	<ol style="list-style-type: none"> 1. It is normal for the appliance to work harder under these conditions. 2. It takes 4 hours for the unit interior to cool down completely. 3. Warm food will cause unit to run more until the desired temperature is reached. 4. Warm air entering the interior causes it to run more. Open door less often. 5. See Door Will Not Close in this Before You Call Section. 6. Set control to a warmer setting. Allow several hours for the temperature to stabilize. 7. Clean or change gasket. Leaks in the lid seal will cause unit to run longer in order to maintain desired temperature.
Interior temperature is too cold.	Temperature Control is set too cold.	Adjust the control to a warmer setting. Allow several hours for the temperature to stabilize.
Interior temperature is too warm.	<ol style="list-style-type: none"> 1. Temperature Control is set too warm. 2. Door is kept open too long or is opened too frequently. 3. Door may not be seating properly. 4. Large amounts of warm or hot food may have been stored recently. 5. Appliance has recently been disconnected for a period of time. 	<ol style="list-style-type: none"> 1. Adjust control to a colder setting. Allow several hours for the temperature to stabilize. 2. Warm air enters the appliance every time the door is opened. Open the lid less often. 3. See Door Will Not Close in this Before You Call section. 4. Wait until the appliance has had a chance to reach its selected temperature. 5. Freezer mode requires 4 hours to cool down completely after appliance is first plugged in.

Before You Call

CONCERN	POTENTIAL CAUSE	COMMON SOLUTION
Appliance exterior surface temperature is warm.	<ol style="list-style-type: none"> 1. Appliance exterior walls can be as much as 30°F warmer than room temperature. 2. Appliance too close to adjacent surfaces. 	<ol style="list-style-type: none"> 1. This is normal while compressor works to transfer heat from inside appliance cabinet. 2. See clearance requirements in the Installation section of this Use & Care Guide.
Louder sound levels whenever appliance is on.	<p>Modern cooling appliances have increased storage capacity and more stable temperatures. They require a high efficiency compressor.</p>	<p>This is normal. When the surrounding noise level is low, you might hear the compressor running while it cools the interior.</p>
Longer sound periods when compressor comes on.	Appliance operates at higher pressures during the start of the ON cycle.	This is normal. Sound will level off or disappear as appliance continues to run.
Popping or cracking sound when compressor comes on.	Metal parts undergo expansion and contraction, as in hot water pipes.	This is normal. Sound will level off or disappear as appliance continues to run.
Bubbling or gurgling sound, like water boiling.	Refrigerant (used for cooling) is circulating throughout the system.	This is normal.
Vibrating or rattling noise.	<ol style="list-style-type: none"> 1. Appliance is not level. It rocks on the floor when it is moved slightly. 2. Floor is uneven or weak. Appliance rocks on floor when it is moved slightly. 3. Appliance is touching the wall. 	<ol style="list-style-type: none"> 1. Level the unit. Refer to Leveling in Appliance Setup section of this Use & Care Guide. 2. Ensure floor can adequately support appliance. 3. Move appliance slightly. Refer to Leveling in the Appliance Setup section after moving if necessary.
Moisture forms on inside appliance walls.	<ol style="list-style-type: none"> 1. Weather is hot and humid. 2. Door may not be seating properly. 3. Door is kept open too long, or is opened too frequently. 	<ol style="list-style-type: none"> 1. This is normal. 2. See Door Will Not Close in this Before You Call section. 3. Open the door less often.
Moisture forms on outside of appliance.	Door may not be seating properly, causing the cold air from inside the appliance to meet warm moist air from outside.	See Door Will Not Close in this Before You Call section.

Before You Call

CONCERN	POTENTIAL CAUSE	COMMON SOLUTION
Odors in appliance.	<ol style="list-style-type: none">1. Interior needs to be cleaned.2. Foods with strong odors are in the appliance.	<ol style="list-style-type: none">1. Clean interior with sponge, warm water, and baking soda.2. Cover the food tightly.
Door will not close.	<ol style="list-style-type: none">1. Unit is not level or floor is uneven or weak. Unit rocks on the floor when it is moved slightly.2. Food package is pressing against inner door panel.	<ol style="list-style-type: none">1. Unlevel unit can misalign door and door seal. Floor must be solid and strong enough to support a fully loaded appliance. Refer to Leveling in Appliance Setup section of this Use & Care Guide.2. Reposition or remove excess package.

WARRANTY

FREEZER WARRANTY

Your freezer is protected by this warranty

	WARRANTY PERIOD	THROUGH OUR AUTHORIZED SERVICERS, WE WILL:	THE CONSUMER WILL BE RESPONSIBLE FOR:
ONE YEAR LIMITED WARRANTY	One year from original purchase date	Pay all costs for repairing or replacing any parts of this appliance which prove to be defective in materials or workmanship. Excludes original and replacement Ice & Water filter cartridges (if equipped). Original and replacement cartridges are warranted for 30 days (parts only).	Costs of service calls that are listed under NORMAL RESPONSIBILITIES OF THE CONSUMER. *

In the U.S.A., your appliance is warranted by Crosley Home Products. We authorize no person to change or add to any of our obligations under this warranty. Our obligations for service and parts under this warranty must be performed by an authorized Crosley Home Products servicer. In Canada your appliance is warranted by Crosley Canada Corp.

***NORMAL RESPONSIBILITIES OF THE CONSUMER**

This warranty applies only to products in ordinary household use, and the consumer is responsible for the items listed below:

- 1 Proper use of the appliance in accordance with instructions provided with the product.
- 2 Proper installation by an authorized servicer in accordance with instructions provided with the appliance and in accordance with all local plumbing, electrical and/or gas codes.
- 3 Proper connection to a grounded power supply of sufficient voltage, replacement of blown fuses, repair of loose connections or defects in house wiring.
- 4 Expenses for making the appliance accessible for servicing, such as removal of trim, cupboards, shelves, etc., which are not part of the appliance when it was shipped from the factory.
- 5 Damages to finish after installation.
- 6 Replacement of light bulbs and/or fluorescent tubes (on models with these features).

EXCLUSIONS

This warranty does not cover the following:

- 1 CONSEQUENTIAL OR INCIDENTAL DAMAGES SUCH AS PROPERTY DAMAGE AND INCIDENTAL EXPENSES RESULTING FROM ANY BREACH OF THIS WRITTEN OR ANY IMPLIED WARRANTY.

NOTE: Some states do not allow the exclusion or limitation of incidental or consequential damages, so this limitation or exclusion may not apply to you.
- 2 Service calls which do not involve malfunction or defects in workmanship or material, or for appliances not in ordinary household use. The consumer shall pay for such service calls.
- 3 Damages caused by services performed by servicers other than Crosley Home Products, Crosley Canada Corp. or its authorized servicers; use of parts other than genuine Crosley Home Products parts, obtained from persons other than such servicers; or external causes such as abuse, misuse, inadequate power supply or acts of God.
- 4 Products with original serial numbers that have been removed or altered and cannot be readily determined.

IF YOU NEED SERVICE

Keep your bill of sale, delivery slip, or some other appropriate payment record. The date on the bill establishes the warranty period should service be required. If service is performed, it is in your best interest to obtain and keep all receipts. This written warranty gives you specific legal rights. You may also have other rights that vary from state to state. Service under this warranty must be obtained by contacting Crosley Home Products or Crosley Canada Corp.

This warranty only applies in the 50 States of the U.S.A., in Puerto Rico, and in Canada. Product features or specifications as described or illustrated are subject to change without notice. All warranties are made by Crosley Home Products. In Canada, your appliance is warranted by Crosley Canada Corp.

Rev. 01/2019

FOR WARRANTY INFORMATION

CONTACT:
844-CROSLEY (844-276-7539)

CrosleyCare Service
3 Sperry Rd.
Fairfield, NJ 07004

FOR WARRANTY INFORMATION

FOR CANADA CONTACT:
800-461-7700

CrosleyCare Crescent
99 Bruce Crescent
Carleton Place ON K7C3T3
Canada

FOR PRODUCT INFORMATION

CONTACT:
800-356-5268

Crosley Home Products
Emerald Isle, NC 28594

Disclaimer: The design and specifications are subject to change without prior notice for product improvement.



Modelos Registrados /Números de Serie

Por favor lea y guarde estas instrucciones

Este manual de uso y Mantenimiento proporciona instrucciones específicas de operación para su modelo. Utilice su unidad sólo como se indica en este manual. Estas instrucciones no pretenden cubrir todas las condiciones ni las situaciones posibles que puedan ocurrir. Se debe tener en cuenta el sentido común y la precaución al instalar, operar y mantener cualquier aparato.

Registre su modelo y número de serie a continuación para futuras referencias. Esta información se encuentra en la pared inferior izquierda dentro de los modelos de aparato.

Número de modelo : VFU

o _____

Número de serie: _____

Fecha de compra: _____

IMPORTANTE

Utilice sólo agua y jabón para limpiar la placa de serie.

Tabla de contenido

Modelos Registrados/Números de Serie	1
Instrucciones Importantes de Seguridad ...	1
Configuración del electrodoméstico	4
Descripción del aparato	6
Control de Temperatura.....	8
Puerta de m archa atrás (Opcional).....	9
Iluminación LED interior	12
Falla del aparato o energía.....	13
Antes de llamar	14
Garantía.....	17

Instrucciones Importantes de Seguridad

Precauciones de seguridad

No intente instalar u operar su unidad hasta que haya leído las precauciones de seguridad en este manual de uso y Mantenimiento. Los artículos de seguridad en este manual están etiquetados con Peligro, Advertencia o Precaución según el tipo de riesgo.

Definiciones

Éste es el símbolo de alerta de seguridad. Se utiliza para alertarlo sobre posibles peligros de lesiones personales. Obedezca todos los mensajes de seguridad que siguen a este símbolo para evitar posibles lesiones o la muerte.



PELIGRO

PELIGRO indica una situación de peligro inminente que, si no se evita, causará la muerte o lesiones graves.



ADVERTENCIA

ADVERTENCIA indica una situación potencialmente peligrosa que, si no se evita, podría causar la muerte o lesiones graves.



PRECAUCIÓN

PRECAUCIÓN indica una situación potencialmente peligrosa que, si no se evita, provocará posiblemente lesiones leves o moderadas.

IMPORTANTE

Indica informacion de instalacion, operacion o mantenimiento que sea importante pero no este relacionada con el peligro.

Instrucciones Importantes de Seguridad



PELIGRO



PELIGRO Riesgo de incendio o explosión. Refrigerante inflamable utilizado. No utilice dispositivos mecánicos para descongelar el refrigerador.

No pinche la tubería de refrigerante. **PELIGRO** Riesgo de incendio o explosión. Refrigerante inflamable utilizado. Para ser reparado sólo por personal de servicio capacitado. No pinche la tubería de refrigerante.



PRECAUCIÓN



PRECAUCIÓN Riesgo de incendio o explosión. Refrigerante inflamable utilizado. Consulte el manual de reparación / la guía del propietario antes de intentar reparar este producto. Deben seguirse todas las precauciones de seguridad.

PRECAUCIÓN Riesgo de incendio o explosión. Deséchese adecuadamente en conformidad de las regulaciones federales o locales. Refrigerante inflamable utilizado.

PRECAUCIÓN Riesgo de incendio o explosión debido a la perforación de la tubería de refrigerante. Siga cuidadosamente las instrucciones de manejo. Refrigerante inflamable utilizado.



ADVERTENCIA

Lea todas las instrucciones de seguridad antes de usar su nuevo aparato.

Por tu seguridad

- No almacene ni utilice gasolina u otros líquidos inflamables cerca de este o cualquier otro aparato. Lea las etiquetas de los productos para reconocer las advertencias sobre inflamabilidad y otros peligros.

- No haga funcionar la unidad en presencia de gases explosivos.
- Retire y deseche los espaciadores utilizados para asegurar la cesta durante el envío. Los objetos pequeños son un peligro de ahogo para los niños.

Seguridad para niños

Destruya o recicle la caja de cartón, las bolsas de plástico y cualquier material de embalaje exterior inmediatamente a continuación cuando se desempaque la unidad. Los niños nunca deben usar estos artículos para jugar. Los cartones cubiertos con alfombras, colchas, láminas de plástico o envolturas elásticas pueden convertirse en cámaras herméticas y pueden causar asfixia rápidamente.

Eliminación adecuada de su aparato.

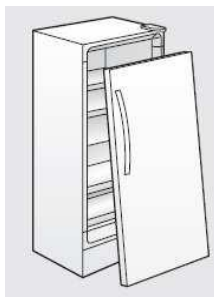


PELIGRO: ¡Riesgo de atrapamiento infantil!

El atrapamiento y la asfixia de niños no son problemas del pasado. Los aparatos desechados o abandonados siguen siendo peligrosos, incluso si se quedan "por unos pocos días". Si va a deshacerse de su aparato, siga las instrucciones a continuación para evitar accidentes.

Antes de tirar su antigua unidad:

- Retire la puerta.
- Deje los estantes en su lugar dentro del congelador para que los niños no puedan entrar fácilmente.
- Haga que un técnico de servicio calificado retire el refrigerante.



Instrucciones Importantes de Seguridad



PRECAUCIÓN

Es posible que no se abra fácilmente cuando intente abrir la puerta del congelador inmediatamente después de cerrarla. No es un problema con el congelador porque es causado por la diferencia de presión.

Para solucionar esto, se abre fácilmente después de un cierto período de tiempo (1 minuto).

IMPORTANTE

Su antigua unidad puede tener un sistema de enfriamiento que utiliza CFC o HCFC (clorofluorocarbonos o hidroclorofluorocarbonos). Se cree que los CFC y los HCFC dañan el ozono estratosférico si se liberan a la atmósfera.

Otros refrigerantes pueden causar daños al medio ambiente si se liberan a la atmósfera. Si está desechando su antigua unidad, asegúrese de que un técnico calificado retire el refrigerante para su eliminación adecuada. Si se libera el refrigerante intencionalmente, podrá estar sujeto a multas y encarcelamiento en virtud de las disposiciones de la legislación Ambiental.



ADVERTENCIA

Deben seguirse estas pautas para garantizar que los mecanismos de seguridad en esta unidad funcionen correctamente.

Información eléctrica

- La unidad debe enchufarse a sus propios dedicados como 10 amperios mínimo, 115 voltios, 60 Hz, Toma de corriente CA sólo eléctrica. El cable de alimentación del aparato está equipado con un enchufe de conexión a tierra de tres clavijas para su protección contra el riesgo de descargas. Debe enchufarse

directamente a un receptáculo de tres clavijas debidamente conectado a tierra. El receptáculo debe instalarse de acuerdo con los códigos y ordenanzas locales. Consulte a un electricista calificado. No utilice un cable de extensión o un adaptador.

- Repare o reemplace inmediatamente cualquier cable de alimentación que esté desgastado o dañado.
- Nunca desenchufe el aparato tirando del cable de alimentación. Sujete siempre firmemente el enchufe y sáquelo del receptáculo para evitar dañar el cable de alimentación.
- Desenchufe el aparato antes de limpiarlo y antes de descongelarlo para evitar descargas eléctricas.
- El rendimiento puede verse afectado si el voltaje varía en un 10% o más. El funcionamiento de la unidad con una potencia insuficiente puede dañar el motor. Dicho daño no está cubierto por la garantía.
- No enchufe la unidad a una toma de corriente controlada por un interruptor de pared ni tire del cable para evitar que el aparato se apague accidentalmente.
- Evite conectar la unidad a un interruptor de circuito con falla a tierra (GFCI).



Configuración del electrodoméstico

Esta Guía de uso y cuidado proporciona instrucciones de funcionamiento específicas para su modelo. Use la unidad solo como se indica en este Uso y cuidado Guía. Antes de encender el aparato, siga estos importantes pasos de configuración.


Instalación

- Elija un lugar que esté cerca de una toma de corriente con conexión a tierra. No use un cable de extensión o un enchufe adaptador.
- Para la operación más eficiente, el congelador debe ubicarse donde las temperaturas circundantes no excedan vlos 110 ° F (43 ° C). Las temperaturas de 32 ° F (0 ° C) y menores NO afectarán el funcionamiento del congelador. No se recomiendan calentadores de compresor adicionales.
- Deje espacio alrededor de la unidad para una buena circulación de aire. Deje un espacio de 1 pulgada (25,4 mm) en la parte posterior y en la parte superior y un espacio de 3/8 de pulgada (9,5 mm) a los lados del aparato para una circulación adecuada.

Nivelación

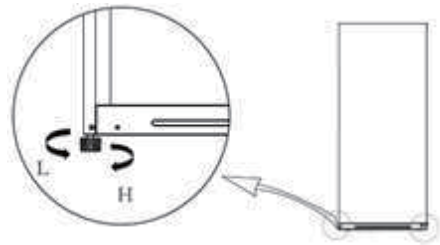
El congelador debe tener todas las esquinas inferiores apoyadas firmemente en un piso sólido. El piso debe ser lo suficientemente fuerte como para soportar un congelador completamente cargado. Si fuera necesario, agregue las cuñas metálicas o de madera entre las almohadillas de los pies y el piso.

Es muy importante que el congelador esté nivelado para que funcione correctamente. Si no está nivelado, la puerta puede estar desalineada y no cerrarse o sellarse correctamente, lo que podría causar problemas de enfriamiento, escarcha o humedad.

El aparato está equipado con patas de nivelación frontales ajustables. Gire el pie en el sentido de las agujas del reloj para realzar (H) el costado de la unidad. Gire en sentido antihorario para bajar (L) el costado. Ajuste cada lado, según sea necesario, hasta delante de la unidad es de nivel. Ajuste también de modo que el frente de la unidad esté  más alto que la parte posterior, de modo que la puerta permanezca cerrada.

Limpieza

- Lave las piezas extraíbles, el interior del congelador y el exterior con un detergente suave y agua tibia. Limpie en seco. No utilice limpiadores fuertes en estas superficies.
- No utilice cuchillas de afeitar u otros instrumentos afilados que puedan rayar la superficie del aparato al retirar las etiquetas adhesivas. Cualquier pegamento que quede de la cinta puede eliminarse con una mezcla de agua tibia y un detergente suave, o tocar el residuo con el lado adhesivo de la cinta ya retirado. No retire la placa de serie.



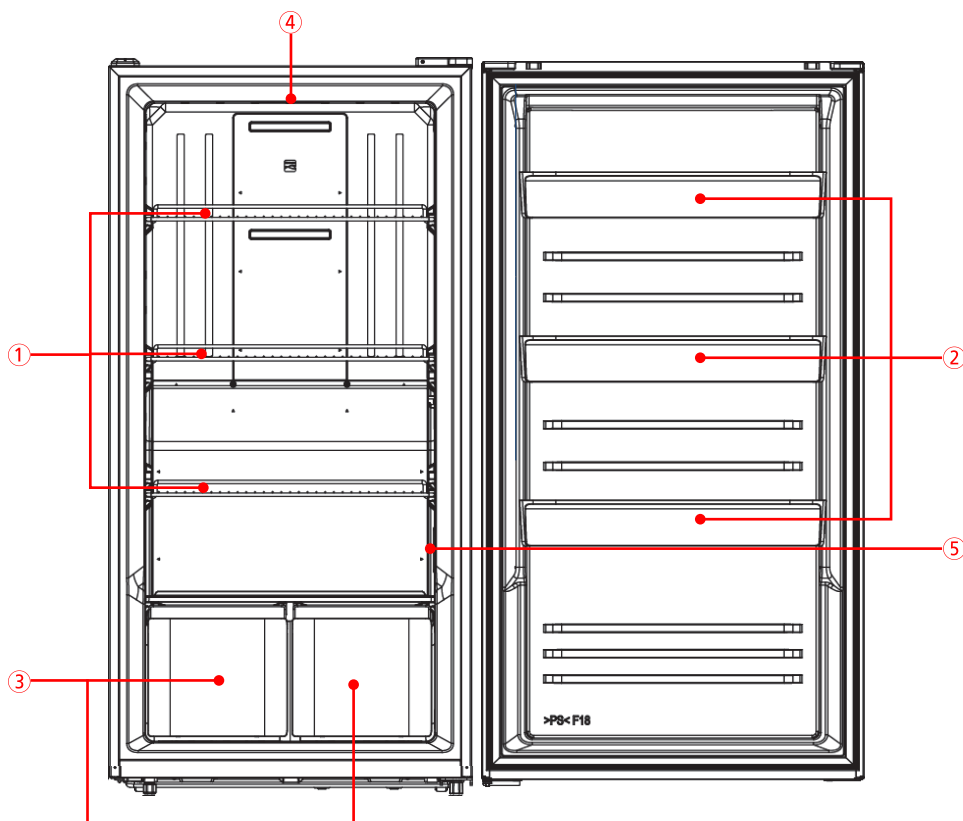
Ideas de ahorro de energía



- El congelador debe ubicarse en el área más fresca de la habitación, lejos de los aparatos que produzcan calor o de los conductos de calefacción, y de la luz solar directa.
- Deje que los alimentos calientes se enfríen a temperatura ambiente antes de colocarlos en el congelador. La sobrecarga del congelador obliga al compresor a funcionar durante más tiempo. Los alimentos que se congelan muy lentamente pueden perder calidad o echarse a perder.
- Asegúrese de envolver los alimentos adecuadamente y de secar los recipientes antes de colocarlos en el congelador. Esto reduce la acumulación de escarcha dentro del congelador.
- No cubra los estantes y compartimientos del congelador con papel de aluminio, papel encerado o papel de toalla. Los revestimientos interfieren con la circulación de aire frío, lo que reduce la eficiencia del congelador.
- Organice y etiquete los alimentos para reducir las aperturas de la tapa y evitar las búsquedas prolongadas. Retire tantos artículos como sea necesario al mismo tiempo y cierre la puerta lo antes posible.

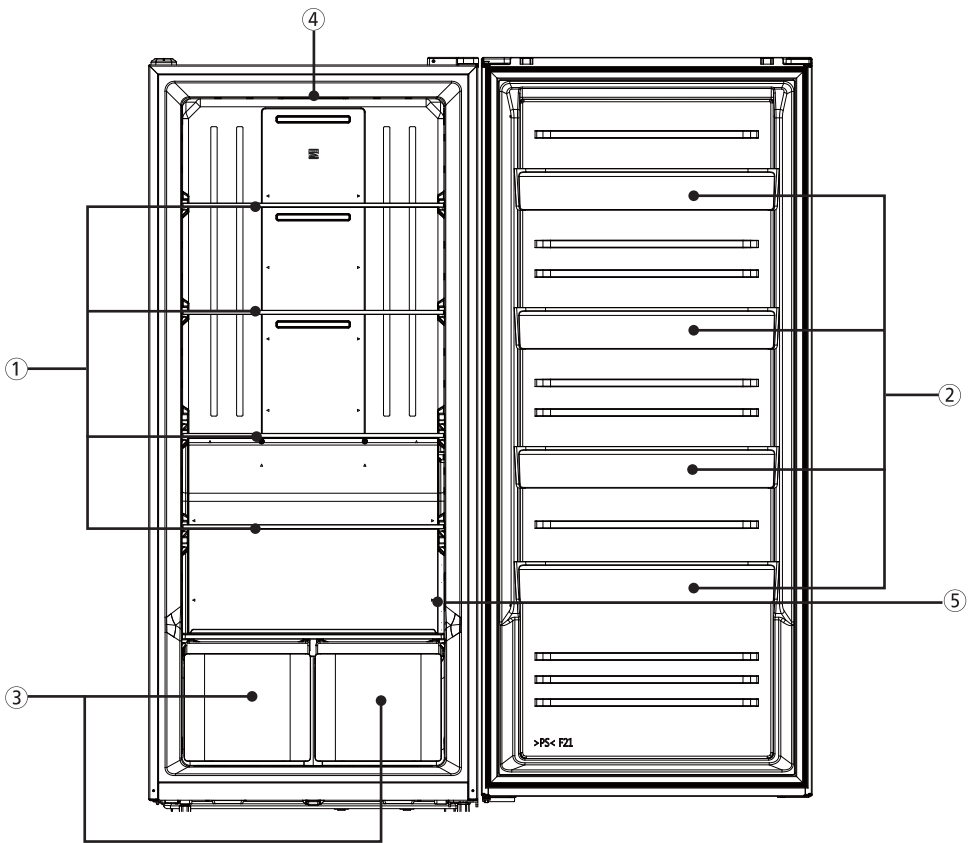
Descripción del aparato

- VFUD15TW(15cf) / VFUD18TW(18cf)



- ① Estantes del compartimento del congelador
- Para el almacenamiento de alimentos congelados, carne, pescado, helados.
- ② Bolsillos del compartimento del congelador
- Para almacenamiento de alimentos congelados.
- ③ Cajas del compartimento del congelador
- Para almacenamiento de alimentos congelados.
- ④ Luz LED
- Para iluminar el interior del congelador
- ⑤ Panel de Control de Temperatura
- Para elegir la temperatura ideal para la comida.

- VFUD21UW (21 cf)



- ① Estantes del compartimento del congelador
- Para el almacenamiento de alimentos congelados, carne, pescado, helados.
- ② Bolsillos del compartimento del congelador
- Para almacenamiento de alimentos congelados.
- ③ Cajas del compartimento del congelador
- Para almacenamiento de alimentos congelados.
- ④ Luz LED
- Para iluminar el interior del congelador
- ⑤ Panel de Control de Temperatura
- Para elegir la temperatura ideal para la comida.

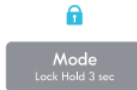
Control de Temperatura (VFUD15TW, VFUD18TW, VFUD21UW)



Uso del congelador

- Para encender el congelador, enchufe el cable de alimentación en un tomacorriente de 3 clavijas con conexión a tierra. La luz verde de encendido ubicada en el control de temperatura se iluminará.
- Para un almacenamiento seguro de alimentos, espere cuatro horas después de enchufar el congelador para que funcione continuamente durante las primeras horas. Los alimentos que ya están congelados pueden colocarse en el congelador después de las primeras horas de funcionamiento. Los alimentos no congelados NO deben cargarse en el congelador hasta que el congelador haya funcionado durante cuatro horas.
- Cuando cargue el congelador, congele solo tres libras de alimentos frescos por pie cúbico de espacio en el congelador a la vez. Distribuya los paquetes que se van a congelar uniformemente por todo el congelador.

① Función de bloqueo



El panel de control debe estar desbloqueado para cambiar el ajuste de temperatura.

1) Desbloquear: Mantenga presionado el botón Modo durante 3 segundos. Después de que el icono de bloqueo parpadee 3 veces y luego se apague, el panel se desbloqueará.

2) Bloquear: Mantenga presionado el botón Modo durante 3 segundos. Después de que el icono de bloqueo parpadee 3 veces y luego permanezca en el panel, se bloqueará.

NOTA

El panel de control se bloquea automáticamente si no se presiona el botón Mode durante 20 segundos.

② Temperatura del congelador

- Cold
- Colder Recommended
- Coldest

Presione el botón "Modo" y el ajuste de temperatura cambia en la secuencia como se muestra a continuación:

Más frío Más frío Frío

Configuración	Frío	Más frío	Más frío
Temperatura (°C)	-15	-18	-21
Temperatura (°F)	6	0	-6

Puerta de marcha atrás (opcional)

El refrigerador se envía con las puertas que se abren de izquierda a derecha. Para invertir el giro de la puerta para abrir de derecha a izquierda, realice los pasos del siguiente procedimiento.

Herramientas necesarias :

Llave de tubo o de extremo de caja de 10 mm y 8 mm, destornillador Phillips, destornillador de punta plana.



ADVERTENCIA

Antes de dar marcha atrás a la puerta, asegúrese de desenchufar el congelador. No desenchufarlo puede provocar lesiones graves o la muerte por descarga eléctrica.

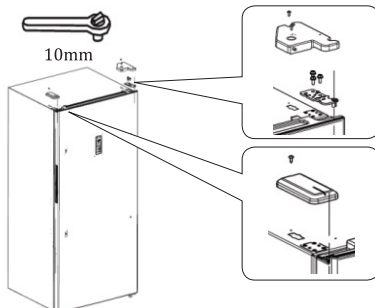


PRECAUCIÓN

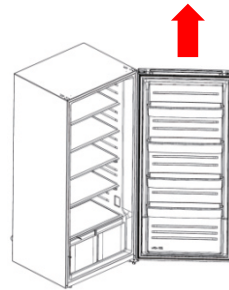
Para evitar lesiones personales y daños a la propiedad, obtenga ayuda de otra persona para realizar la inversión de la puerta. Además, antes de invertir la puerta, retire los estantes, contenedores y alimentos del refrigerador.

AVISO: El siguiente procedimiento, tal como se describe, puede diferir en ciertos detalles de las acciones necesarias para invertir el movimiento de la puerta.

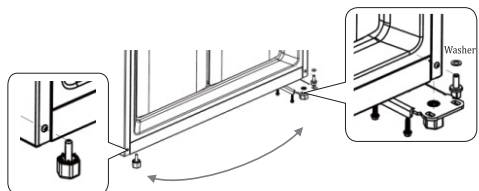
- 1 Quite los tornillos que sujetan la cubierta de la bisagra superior a la esquina superior derecha del gabinete. Levante la cubierta y separe el mazo de cables del interruptor de luz de la puerta dentro de la cubierta. Retire la cubierta de la bisagra superior. Utilice un extremo de caja de 10 mm o una llave de tubo para quitar los tornillos que sujetan la bisagra superior al gabinete. Retire la bisagra superior. Quite el tornillo que sujeta la cubierta rectangular a la esquina superior izquierda del gabinete. Retire la tapa rectangular.



- 2 Abra la puerta con cuidado de que no se caiga. Con la ayuda de un asistente, levante la puerta hacia arriba para quitarla de la bisagra inferior. Coloque la puerta sobre una superficie que no raye.



- 3 Con la ayuda de un asistente, incline con cuidado la unidad sobre su espalda para colocarla en el suelo. Desatornille y retire la pata niveladora de la esquina inferior izquierda del gabinete. Utilice un extremo de caja de 8 mm o una llave de tubo para aflojar los tornillos que sujetan la bisagra inferior a la esquina inferior derecha del gabinete. Retire la bisagra inferior. Retire el pasador y la arandela de la bisagra del lado derecho de la bisagra y vuelva a insertarlos en el orificio del lado izquierdo de la bisagra. Use los tornillos que quitó para sujetar la bisagra a la esquina inferior izquierda del gabinete. Atornille la pata niveladora que quitó anteriormente en su lugar en la esquina inferior derecha del gabinete. Con la ayuda de un asistente, vuelva a levantar la unidad a la posición vertical.

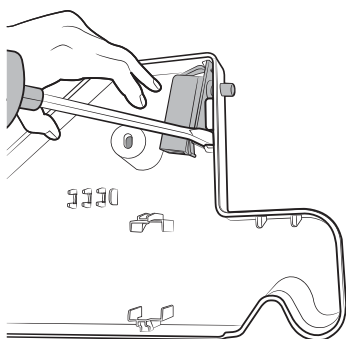


Puerta de marcha atrás (opcional)

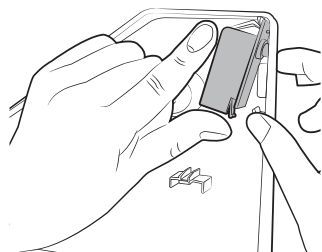
- 4 Ubique la cubierta de la bisagra superior de la esquina izquierda del gabinete en la bolsa de accesorios que se envía con el electrodoméstico. Separe el interruptor de la luz de la puerta de la cubierta de la bisagra superior de la esquina derecha que se quitó anteriormente y fíjelo a la cubierta de la bisagra superior de la esquina izquierda de acuerdo con las siguientes instrucciones.

Para desconectar el interruptor:

1. Inserte la punta de un destornillador de punta plana en el espacio entre el lado sin émbolo del interruptor y la pared de la cubierta de la bisagra. Haga palanca con cuidado en la punta trasera contra la pared para liberar ese lado del interruptor.

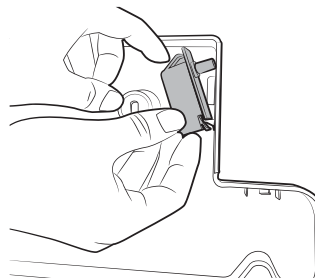


2. Empuje y sostenga el émbolo hasta el fondo y levante el interruptor para sacarlo de la cubierta de la bisagra.

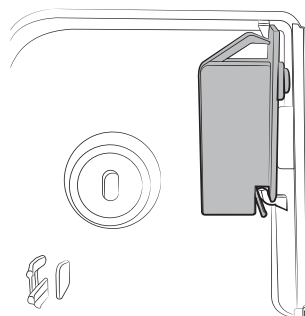


Para conectar el interruptor:

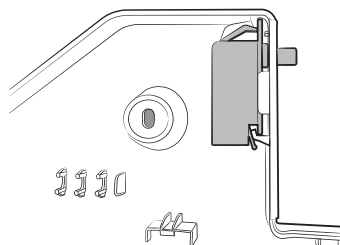
1. Asegure la lengüeta en el lado del interruptor que no es el émbolo debajo del gancho de pared de la cubierta de la bisagra.



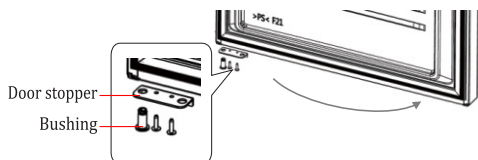
2. Levante el interruptor ligeramente y empuje el émbolo hacia abajo contra el costado de la pared de la cubierta de la bisagra.



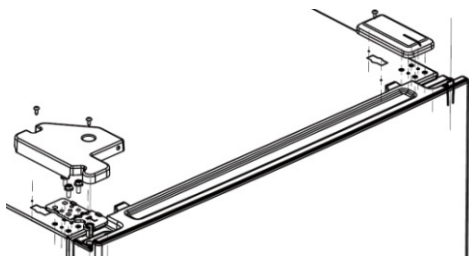
3. Baje el interruptor hacia abajo para asegurar la lengüeta en el lado del émbolo debajo del gancho de pared de la cubierta de la bisagra. Al mismo tiempo, el émbolo saldrá a través de su orificio en la pared de la cubierta de la bisagra.



- 5** Quite los tornillos y el casquillo que sujetan el tope de la puerta a la esquina inferior izquierda de la puerta. Si es necesario, use un destornillador de punta plana para hacer palanca y sacar el buje. Retire el tapón. Invierta la orientación del tope e inserte el buje y los tornillos para sujetar el tope a la esquina inferior derecha de la puerta. Con la ayuda de un asistente, baje la puerta sobre la bisagra inferior de modo que el pasador de la bisagra inferior se inserte en el casquillo del tope de la puerta.



- 6** Locate the cabinet left corner top hinge in the accessories bag shipped with the appliance. With screws removed in step 1, use a 10mm box end or socket wrench to attach the left corner top hinge to the cabinet left top corner. Attach wire harness to door light switch in left top corner hinge cover. Use screws removed in step 1 to attach hinge cover to cabinet left top corner. Use screw removed in step 1 to attach rectangular cover into position on cabinet right top corner.



Descongelación automática

El aparato está equipado con capacidad de descongelación automática para que no tenga que descongelar manualmente. El elemento de enfriamiento de la unidad se calienta regularmente para derretir la escarcha que se forma en él. El agua resultante se drena a través de un conducto en la parte posterior de la unidad y dentro de un recipiente oculto en la base de la unidad donde se evapora. Si se forma escarcha en las paredes interiores de la unidad, retire los alimentos y guárdelos en otro lugar. Luego desenchufe la unidad, espere el tiempo suficiente para que la escarcha se derrita y limpie la humedad con una toalla seca.

Ruedas traseras

El electrodoméstico está equipado con ruedas traseras para ayudarlo a entrar o salir de una ubicación.

PRECAUCIÓN: Obtenga la ayuda de un asistente si el aparato se siente demasiado pesado para que pueda moverlo con seguridad.

Iluminación LED interior

El aparato cuenta con iluminación LED interior, que es más efectiva y duradera que las bombillas incandescentes. Sin embargo, en el improbable caso de que el LED no se encienda, llame al 1-833-946-4239 para programar el servicio de reparación para reemplazarlo.

Cuidado y limpieza



PRECAUCION

**Los objetos húmedos se adhieren a superficies metálicas frías.
No toque las superficies metálicas inferiores con las manos mojadas o húmedas.**

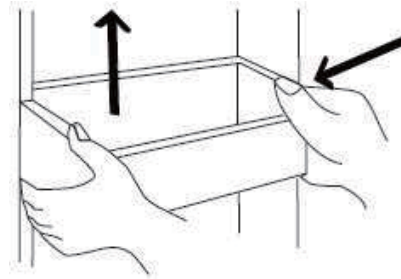
Limpieza del interior

Lave las superficies internas del aparato con una solución de dos cucharadas de bicarbonato de sodio en un litro (1.1 litros) de agua tibia. Enjuague y seque. Escurra el exceso de agua de la esponja o paño al limpiar en el área de los

controles, o cualquier parte eléctrica. Lave las partes removibles y las canastas con la solución de bicarbonato de sodio mencionada anteriormente, o con detergente suave y agua tibia. Nunca use estropajos metálicos, cepillos, limpiadores abrasivos o soluciones alcalinas en ninguna superficie interior. No lave las piezas extraíbles en un lavavajillas.

Limpieza de contenedores de puertas

Para quitar los compartimientos de la puerta para limpiarlos, use ambas manos para apretar la bandeja desde ambos extremos y empuje hacia arriba



Limpieza del exterior

Wash the cabinet with warm water and mild liquid detergent. Rinse well and wipe dry with a clean soft cloth. Never use metallic scouring pads, brushes, abrasive cleaners, or alkaline solutions on any exterior surface.

Consejos de vacaciones y mudanza



ADVERTENCIA

Si deja la puerta del electrodoméstico abierta durante las vacaciones, asegúrese de que los niños no puedan entrar al congelador y quedar atrapados.

Vacaciones cortas: deje el aparato funcionando durante las vacaciones de menos de tres semanas.

Vacaciones largas: si el aparato no se utilizará durante varios meses:

- Retire todos los alimentos y desconecte el cable de alimentación.
- Limpie y seque el interior a fondo.
- Deje la puerta del aparato abierta ligeramente, bloqueándola si es necesario, para evitar el olor y el crecimiento de moho. Mudanza: cuando mueva el aparato, siga estas pautas para evitar daños:
- Desconecte el enchufe del cable de alimentación de la toma de corriente.
- Retire los alimentos y limpie el interior del electrodoméstico.
- Asegure todos los artículos sueltos, como contenedores y estantes, pegándolos con cinta adhesiva para evitar daños.
- En un vehículo en movimiento, asegure el congelador en posición vertical para evitar el movimiento. También proteja el exterior del congelador con una manta o un artículo similar.

NOTA

Si la unidad está apagada o desenchufada durante varias horas, no abra la puerta del aparato innecesariamente. Esto mantendrá la temperatura más fría en el interior y reducirá el tiempo de recuperación a la temperatura deseada una vez que la unidad se vuelva a encender.

Falla del aparato o energía

Si se produce un corte de energía, los alimentos congelados permanecerán congelados durante al menos 24 horas si la puerta del electrodoméstico se mantiene cerrada. Si la falla de energía continúa, empaque siete u ocho libras de hielo seco en el aparato cada 24 horas.

Busque en las páginas amarillas debajo de los fabricantes de hielo seco, lácteos o helados los proveedores locales de hielo seco. Siempre use guantes y tenga cuidado al manipular hielo seco.

Si el aparato ha dejado de funcionar, consulte **El dispositivo no funciona en la Guía de solución de problemas**. Si no puede resolver el problema, llame a un servicio técnico autorizado de inmediato.

Si el aparato permanece apagado durante varias horas, siga las instrucciones anteriores para el uso de hielo seco durante un corte de energía.

Si es necesario, lleve la comida a una planta local de taquillas hasta que el electrodoméstico esté listo para funcionar. Mire en las páginas amarillas debajo de **Plantas de congelación de alimentos**.

Antes de llamar

<p>Guía para resolver problemas</p>	<p>Antes de llamar al técnico, revise esta lista. Al hacerlo, puede ahorrar tiempo y dinero. Esta lista incluye los incidentes más comunes que no son originados por mano de obra o materiales defectuosos de este electrodoméstico.</p>	
<p>PROBLEMA</p>	<p>CAUSA</p>	<p>CORRECCIÓN</p>
<p>El electrodoméstico no funciona.</p>	<ol style="list-style-type: none"> 1. El equipo está enchufado a un circuito que tiene una interrupción de falla a tierra. 2. El control de temperatura está en la posición OFF. 3. Es posible que el equipo no esté enchufado o que el enchufe esté suelto. 4. Fusible de la casa fundido o interruptor de circuito disparado. 5. Corte de energía 	<ol style="list-style-type: none"> 1. Use otro circuito. Si no está seguro de que el tomacorriente funciona correctamente, hágalo revisar por un técnico certificado. 2. Vea la sección Ajuste del control de temperatura. 3. Asegúrese de que el enchufe esté firmemente conectado al tomacorriente. 4. Compruebe casa fusible o disyuntor. Verifique las luces del hogar. Llame a su compañía eléctrica.
<p>El electrodoméstico funciona demasiado o por demasiado tiempo.</p>	<ol style="list-style-type: none"> 1. La temperatura de la habitación o del ambiente es caliente. 2. El congelador permaneció recientemente desconectado por un período de tiempo. 3. Se almacenaron grandes cantidades de alimentos tibios calientes recientemente. 4. Las puertas se abren con demasiada frecuencia o durante demasiado tiempo. 5. La puerta del electrodoméstico puede estar levemente abierta. 6. El control de la temperatura está configurado a una temperatura demasiado baja. 7. La junta del congelador está sucia, gastada, agrietada o mal ajustada. 	<ol style="list-style-type: none"> 1. Es normal que el congelador funcione más en estas condiciones. 2. Se necesitan 4 horas para que el congelador se enfríe completamente. 3. Los alimentos tibios harán que el congelador funcione más hasta que se alcance la temperatura deseada. 4. El aire caliente que ingresa en el congelador lo hace funcionar más. Abra la puerta con menor frecuencia. 5. Vea La puerta no se cierra en esta sección Antes de llamar. 6. Gire la perilla a una temperatura más tibia. Espere varias horas hasta que la temperatura se estabilice. 7. Limpie o cambie la junta. Los escapes en el sello de la puerta harán que el congelador funcione más para mantener la temperatura deseada.
<p>La temperatura interna del electrodoméstico es demasiado fría.</p>	<p>El control de la temperatura está configurado a una temperatura demasiado baja.</p>	<p>Gire el control a una temperatura más tibia. Espere varias horas hasta que la temperatura se estabilice.</p>

Antes de llamar

PROBLEMA	CAUSA	CORRECCIÓN
La temperatura interna del electrodoméstico es demasiado caliente.	<ol style="list-style-type: none"> 1. El control de la temperatura está configurado a una temperatura demasiado caliente. 2. Las tapas se mantiene abierto demasiado tiempo o se abre con demasiada frecuencia. 3. Es posible que las tapas no sellen correctamente. 4. Se almacenaron grandes cantidades de alimentos tibios o calientes recientemente. 5. El congelador permaneció recientemente desconectado por un período de tiempo. 	<ol style="list-style-type: none"> 1. Gire el control a una temperatura más fría. Espere varias horas hasta que la temperatura se estabilice. 2. Cada vez que se abre la puerta ingresa aire caliente al electrodoméstico. Abra la puerta con menos frecuencia. 3. Ve a La puerta no se cierra en esta sección Antes de llamar. 4. Espere hasta que el electrodoméstico haya tenido la oportunidad de alcanzar la temperatura seleccionada. 5. El congelador requiere 4 horas para enfriarse completamente.
La superficie exterior del electrodoméstico está tibia.	<ol style="list-style-type: none"> 1. Las paredes externas del electrodoméstico pueden estar hasta 30°F (17°C) más calientes que la temperatura ambiente. 2. El electrodoméstico está demasiado cerca de las superficies adyacentes. 	<ol style="list-style-type: none"> 1. Esto es normal mientras el compresor funciona con el fin de transferir el calor desde el interior del gabinete del electrodoméstico. 2. Consulte los requisitos de espacio libre en la sección de Instalación de esta Guía de use y cuidado.
Niveles de sonido más altos cuando el electrodoméstico está encendido.	Los congeladores modernos tienen una mayor capacidad de almacenamiento y una mayor estabilidad de las temperaturas. Por ello requieren un compresor de alta eficiencia.	Esto es normal. Cuando hay poco ruido en el ambiente, es posible escuchar el compresor en funcionamiento mientras enfría el interior.
Sonidos más prolongados cuando se enciende el compresor.	El congelador funciona a presiones mayores durante el inicio del ciclo de ENCENDIDO.	Esto es normal. El sonido se estabilizará o desaparecerá a medida que el electrodoméstico siga funcionando.
Se escuchan ruidos de golpes o chasquidos cuando se enciende el compresor.	Las piezas de metal se expanden y contraen al igual que en las tuberías de agua caliente.	Esto es normal. El sonido se estabilizará o desaparecerá a medida que el electrodoméstico siga funcionando.
Ruido burbujeante o gorgoteante, como de agua hirviente.	El refrigerante (usado para enfriar el congelador) está circulando a través del sistema.	Esto es normal.

Antes de llamar

PROBLEMA	CAUSA	CORRECCIÓN
Ruido de vibración o traqueteo.	<ol style="list-style-type: none"> 1. El electrodoméstico está desnivelado. Se balancea sobre el piso cuando se lo mueve levemente. 2. El piso está desnivelado o endeble. El electrodoméstico se balancea en el piso cuando se lo mueve levemente. 3. El electrodoméstico está haciendo contacto con la pared. 	<ol style="list-style-type: none"> 1. Nivele el electrodoméstico. Consulte el apartado “Nivelación” en la sección Configuración de electrodoméstico. 2. Asegúrese de que el piso pueda soportar adecuadamente el electrodoméstico. 3. Mueva electrodoméstico ligeramente. Consulte el apartado Nivelación en la sección Configuración de electrodoméstico.
Se acumula humedad en las paredes internas del electrodoméstico.	<ol style="list-style-type: none"> 1. El clima es cálido y húmedo, lo que aumenta la tasa interna de acumulación de escarcha. 2. Es posible que las tapas no sellen correctamente. 3. Las tapas se mantienen abierto demasiado tiempo o se abre con demasiada frecuencia. 	<ol style="list-style-type: none"> 1. Esto es normal. 2. Vea La puerta no se cierra en esta sección Antes de llamar. 3. Abra la puerta con menor frecuencia.
Se acumula humedad en el exterior del electrodoméstico.	Es posible que la puerta no selle correctamente, lo que hace que el aire frío del electrodoméstico se encuentre con el aire tibio y húmedo de la habitación.	Vea La puerta no se cierra en esta sección Antes de llamar.
Olores en el electrodo	<ol style="list-style-type: none"> 1. El interior estar limpio. 2. Hay alimentos con olores fuertes en el electrodoméstico. 	<ol style="list-style-type: none"> 1. Limpie el interior con esponja, agua tibia y bicarbonato de sodio. 2. Cubra la comida en forma ajustada.
La puerta no se cierra.	<ol style="list-style-type: none"> 1. La unidad no está nivelada o el piso es irregular o débil. La unidad se balancea en el piso cuando se mueve ligeramente. 2. El paquete de alimentos está presionando contra el panel de la puerta interior. 	<ol style="list-style-type: none"> 1. La unidad que no está nivelada puede desalinearse la puerta y el sello de la puerta. El piso debe ser sólido y lo suficientemente fuerte como para soportar un aparato completamente cargado. Consulte Nivelación en la sección Configuración de electrodoméstico de esta Guía de uso y cuidado. 2. Vuelva a colocar o retire el exceso de paquete.

GARANTÍA

GARANTÍA DEL CONGELADOR

Su congelador está protegido por esta garantía

	PERIODO DE GARANTÍA	A TRAVÉS DE NUESTROS CENTROS DE SERVICIO AUTORIZADOS, HAREMOS:	EL CONSUMIDOR SERÁ RESPONSABLE DE:
GARANTÍA COMPLETA POR UN AÑO	Un año desde la fecha de compra original.	Pagar los costos de reparación o reemplazo de cualquier parte de este aparato que se encuentren defectuosas en materiales o mano de obra. No incluye filtros de cartucho de hielo y agua originales y de reemplazo (si esta equipado). Los filtros de cartucho originales y de reemplazo tienen una garantía de 30 días (solo partes).	Costo de las llamadas de servicio que se enlistan bajo RESPONSABILIDADES NORMALES DEL CONSUMIDOR. *

En los EE.UU., Su electrodoméstico está garantizado por Crosley Home Products. No autorizamos a ninguna persona a cambiar o agregar ninguna de nuestras obligaciones bajo esta garantía. Nuestras obligaciones de servicio y partes bajo esta garantía deben ser realizadas por un centro de servicio autorizado Crosley Home Products. En Canada su electrodoméstico es garantizado por Crosley Canada Corp.

*RESPONSABILIDADES NORMALES DEL CONSUMIDOR

Esta garantía se aplica solo a los productos de uso doméstico normal, y el consumidor es responsable de las opciones siguientes:

- 1 Uso correcto del electrodoméstico de acuerdo con las instrucciones proporcionadas con el producto.
- 2 Instalación correcta por un técnico autorizado de acuerdo con las instrucciones proporcionadas con el producto y de acuerdo con todos los códigos locales de plomería, electricidad y/o gas.
- 3 La conexión adecuada a una fuente de alimentación conectada a tierra con suficiente voltaje, reemplazo de fusibles quemados, reparación de conexiones sueltas o defectos en el cableado de la casa.
- 4 Gastos para facilitar el acceso al electrodoméstico para el servicio, tales como la remoción de molduras, armarios, estantes, etc, que no son parte del electrodoméstico cuando este fue embarcado de la fábrica.
- 5 Daños después de terminar la instalación.
- 6 Reemplazo de bombillas y/o tubos fluorescentes (en los modelos con estas características).

EXCLUSIONES

Esta garantía no cubre lo siguiente:

- 1 DAÑOS DERIVADOS O INCIDENTALES TALES COMO DAÑOS A LA PROPIEDAD Y GASTOS INCIDENTALES OCASIONADOS POR EL INCUMPLIMIENTO DE ESTE ESCRITO O CUALQUIER OTRA GARANTÍA.
NOTA: Algunos estados no permiten la exclusión o limitación de daños incidentales o consecuentes, por lo que esta limitación o exclusión puede ser no aplicable en su caso.
- 2 Las llamadas que no involucren el funcionamiento defectuoso ni los defectos de fabricación o materiales, o para electrodomésticos que no estén en uso doméstico normal, el consumidor deberá pagar por dichas vistas.
- 3 Daños causados por reparaciones realizadas por otros centros de servicio que no sean los centros de servicio autorizados por Crosley Home Products, Crosley Canada Corp. uso de piezas que no son las partes genuinas de Crosley Home Products, obtenidas de otros centros de servicio o externos; causas como abuso, mal uso, suministro eléctrico inadecuado o casos fortuitos.
- 4 Productos con los números de serie que han sido removidos o alterados y no pueden ser determinados fácilmente.

SI USTED NECESITA SERVICIO

Conserve la factura de compra, la boleta de entrega o cualquier otro registro de pago adecuado. La fecha en el recibo establece el periodo de garantía, si llegara a requerir servicio. Si el servicio se lleva a cabo, es de su mejor interés de obtener y conservar todos los recibos. Esta garantía escrita le otorga derechos legales específicos. Usted también puede obtener otros derechos que varían de estado a estado. El servicio realizado bajo esta garantía debe ser obtenido a través de Crosley Home Products or Crosley Canada Corp.

Esta garantía solo se aplica en los 50 Estados de los EE.UU., en Puerto Rico, y en Canada. Las características o especificaciones descritas o ilustradas están sujetas a cambio sin previo aviso. Todas las garantías están hechas por Crosley Home Products. En Canada, su electrodoméstico está garantizado por Crosley Canada Corp.

Rev. 01/2019

CONTACTO PARA INFORMACIÓN SOBRE LA GARANTÍA:
844-CROSLEY (844-276-7539)

CrosleyCare Service
3 Sperry Rd.
Fairfield, NJ 07004

CONTACTO PARA INFORMACIÓN SOBRE LA GARANTÍA (Canadá):
800-461-7700

CrosleyCare Crescent
99 Bruce Crescent
Carleton Place ON K7C3T3
Canada

CONTACTO PARA INFORMACIÓN DEL PRODUCTO:
800-356-5268

Crosley Home Products
Emerald Isle, NC 28594

Aviso legal: El diseño y las especificaciones están sujetas a cambios sin previo aviso para mejorar el producto.