



MAG Series

Power Supply Unit

MAG A650GL

MAG A750GL PCIE5

MAG A750GL PCIE5 II

MAG A850GL PCIE5

MAG A850GL PCIE5 WHITE

MAG A850GL PCIE5 II

MAG A850GL PCIE5 TOY STORY EDITION

User Guide

English

Italiano

Deutsch

Język polski

Français

Português

Русский

Español

日本語

Türkçe

한국어

Čeština

繁體中文

Slovenčina

简体中文

Contents

Specifications	2
Dimensions	3
Number of Power Connectors	4
Detachable Connectors	5
Connectivity and Cable Lengths	6
PCIe 16 Pin Cable Installation	8

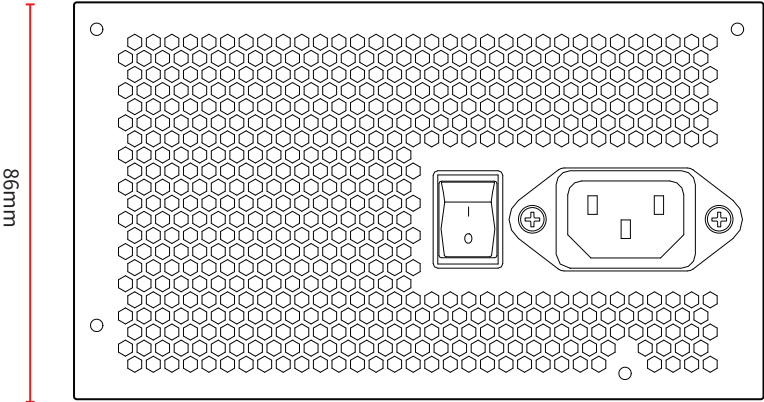
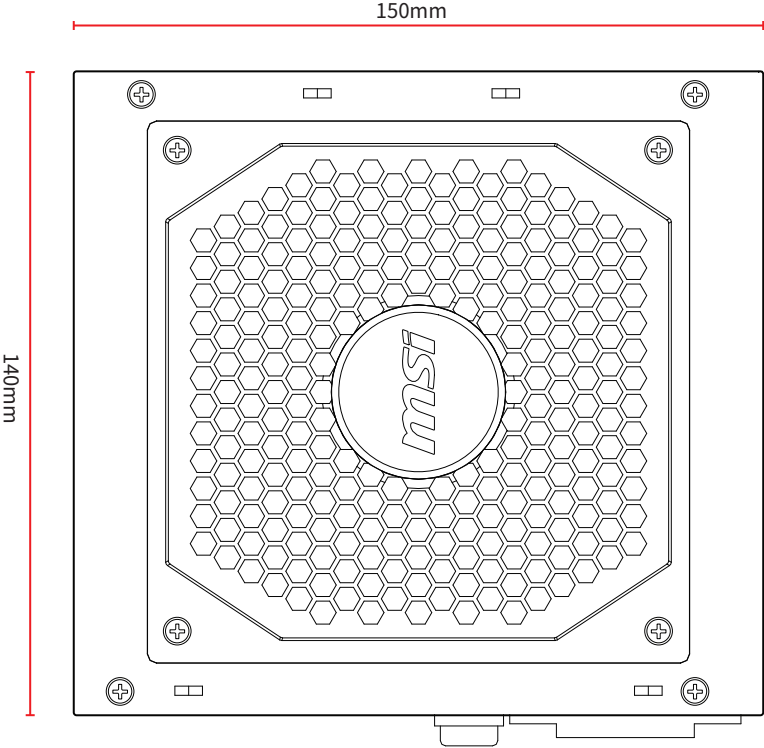
Specifications

850W					
Voltage	+5V	+3.3V	+12V	-12V	+5Vsb
Max load	20.0A	20.0A	70.5A	0.3A	2.5A
Combined power	110W		846W	3.6W	12.5W
Total Power	850W				
Regulation	±3%	±3%	±3%	±10%	±3%
Ripple & Noise	40mVp-p	40mVp-p	60mVp-p	80mVp-p	40mVp-p

750W					
Voltage	+5V	+3.3V	+12V	-12V	+5Vsb
Max load	20.0A	20.0A	62.0A	0.3A	2.5A
Combined power	110W		744W	3.6W	12.5W
Total Power	750W				
Regulation	±3%	±3%	±3%	±10%	±3%
Ripple & Noise	40mVp-p	40mVp-p	60mVp-p	80mVp-p	40mVp-p

650W					
Voltage	+5V	+3.3V	+12V	-12V	+5Vsb
Max load	20.0A	20.0A	54.0A	0.3A	2.5A
Combined power	100W		648W	3.6W	12.5W
Total Power	650W				
Regulation	±3%	±3%	±3%	±10%	±3%
Ripple & Noise	40mVp-p	40mVp-p	60mVp-p	80mVp-p	40mVp-p

Dimensions

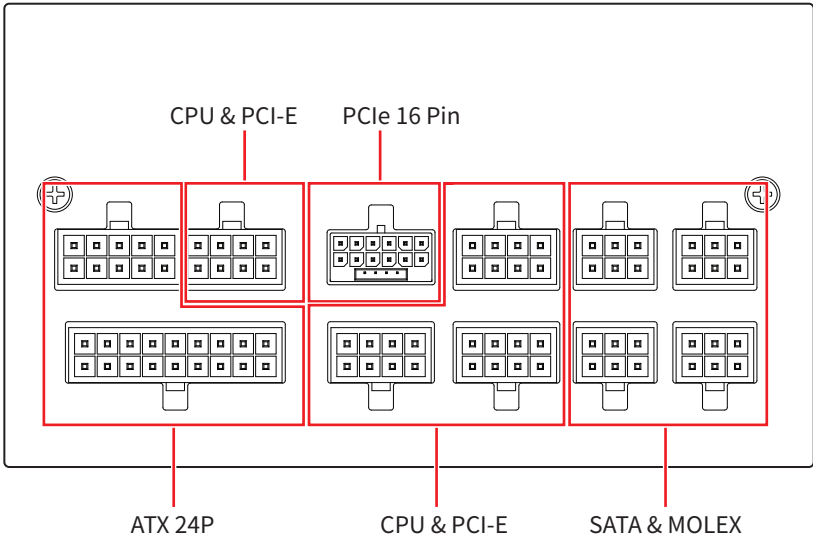


Number of Power Connectors

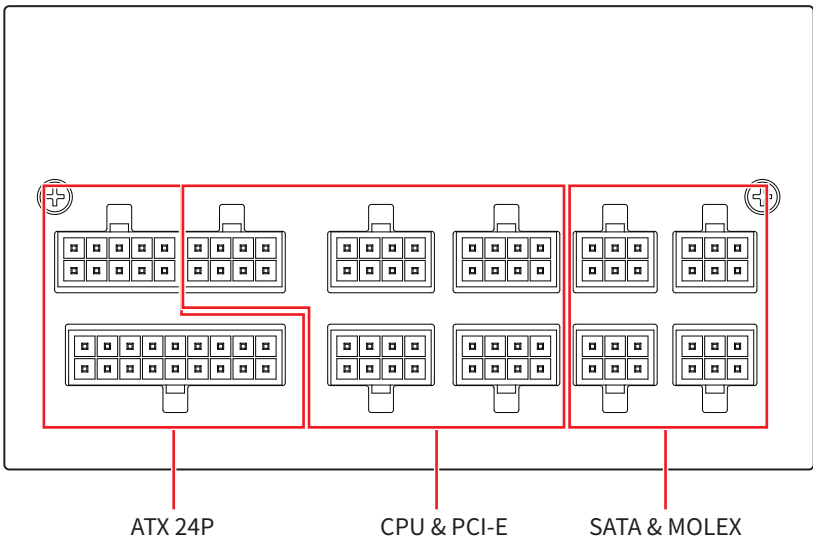
Power Connectors	A850GL	A750GL	A650GL
ATX12V (Motherboard) 20+4 pin	1	1	1
PCIe 16 pin	1	1	0
EPS12V (CPU) 4+4 pin	2	2	2
PCIe (VGA) 6+2 pin	4	3	4
SATA 15 pin	8	8	6
Peripheral (PATA) 4 pin	4	4	3
FDD 4 pin	1	1	1

Detachable Connectors

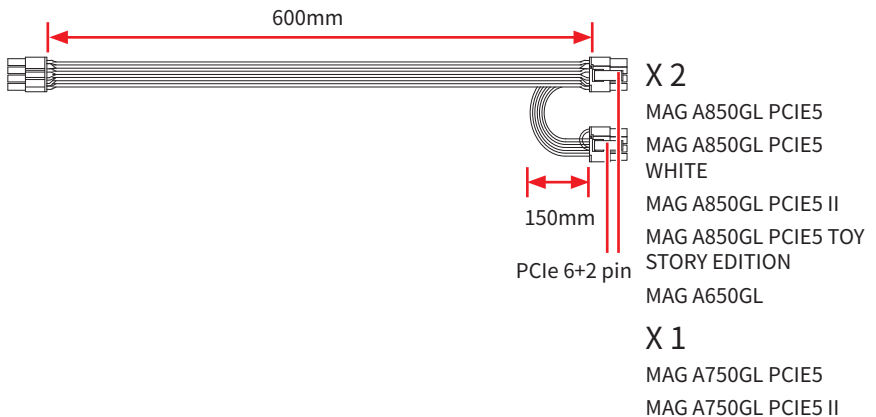
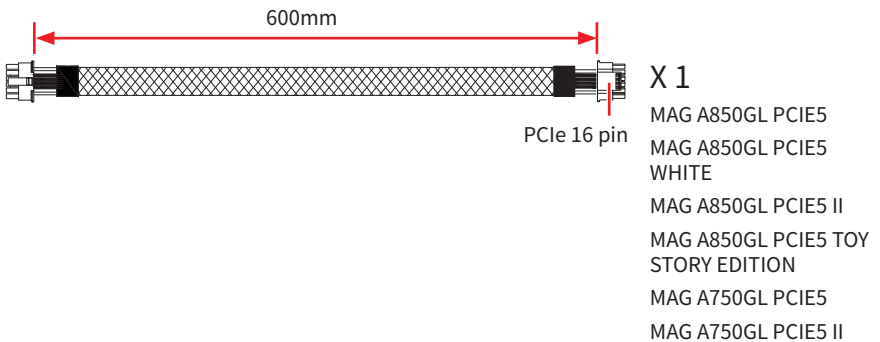
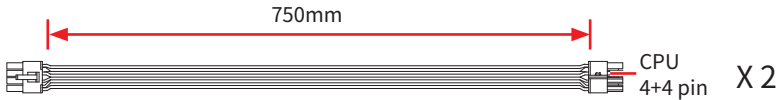
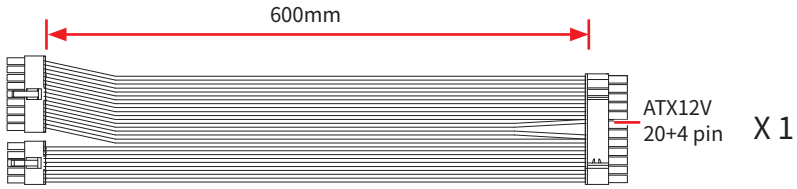
A850GL & A750GL

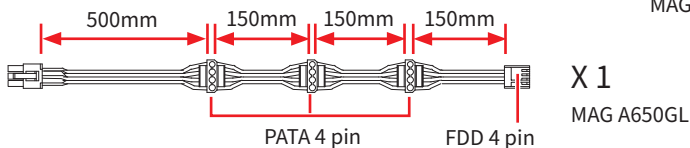
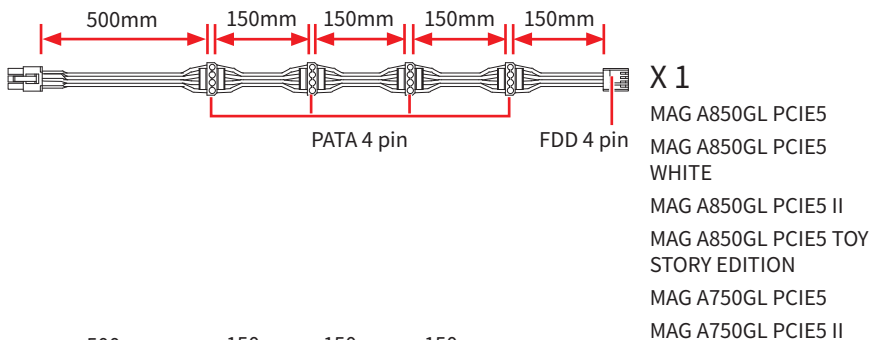
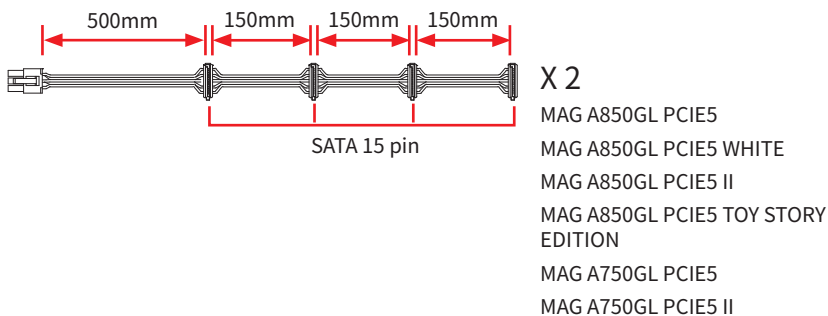
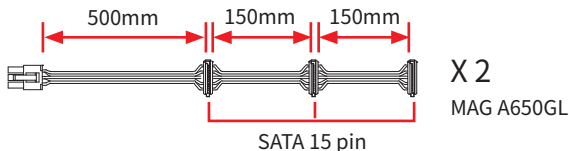
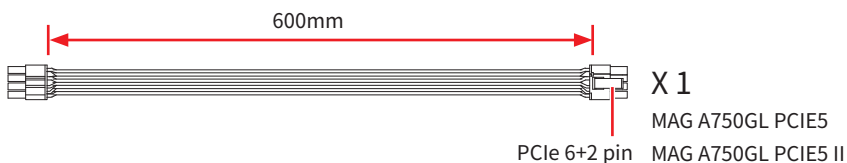


A650GL



Connectivity and Cable Lengths

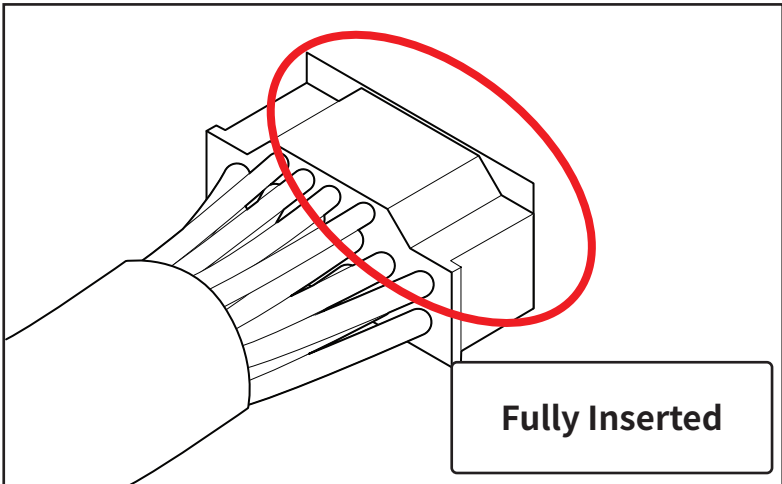
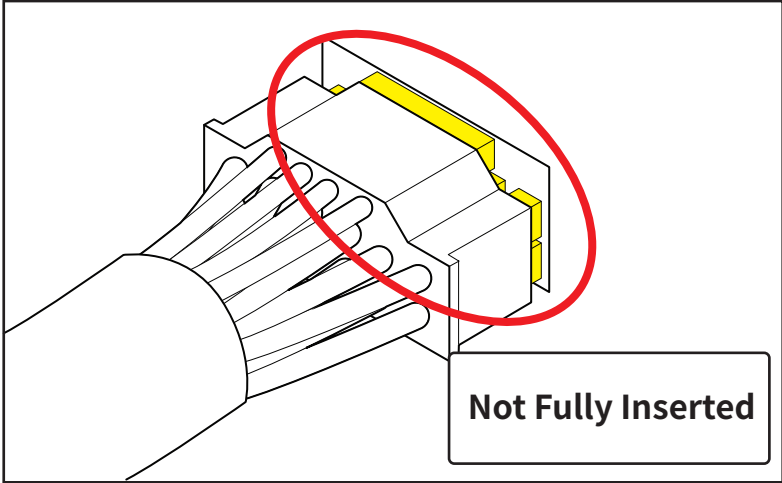




PCIe 16 Pin Cable Installation

 **CAUTION**

Please fully insert the cable before use.



Inhalt

Spezifikationen	2
Abmessungen.....	3
Zahl der Stromanschlüsse	4
Lösbare Steckverbinder	5
Konnektivität und Kabellängen	6
Installation des PCIe 16 Pin Kabels	8

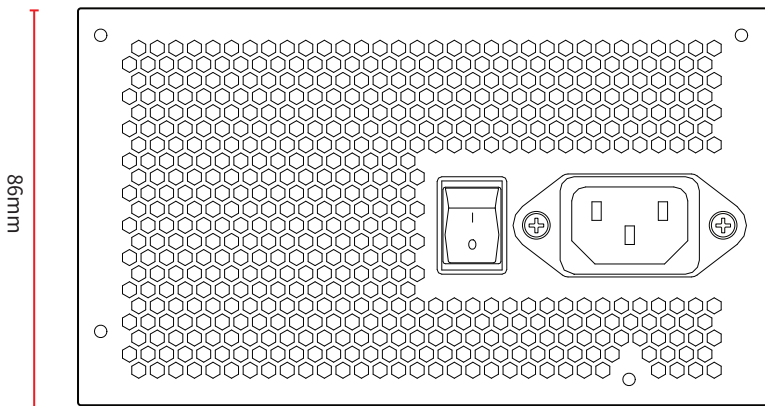
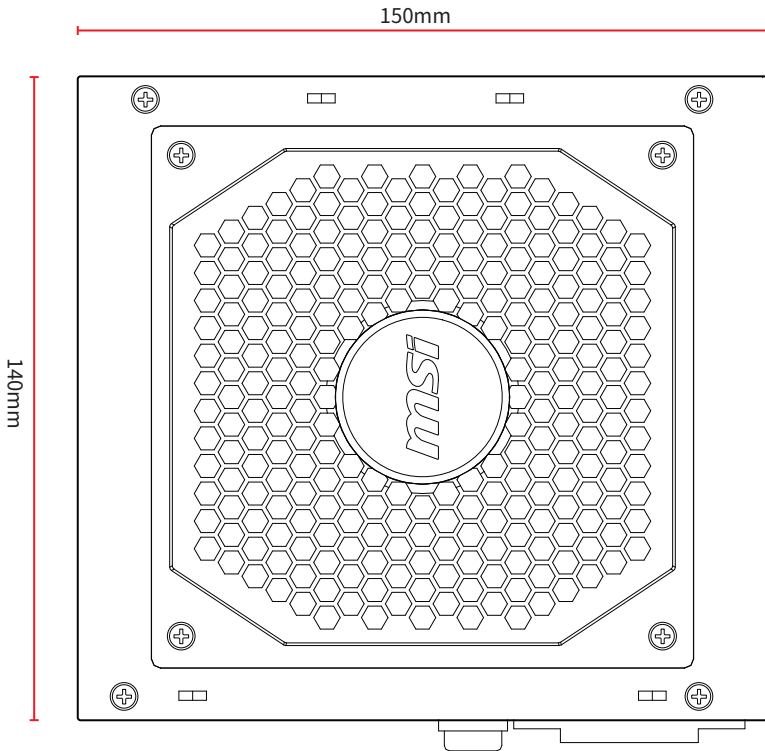
Spezifikationen

850W					
Spannung	+5V	+3,3V	+12V	-12V	+5Vsb
Max. Belastung	20,0A	20,0A	70,5A	0,3A	2,5A
Kombinierte Leistung	110W		846W	3,6W	12,5W
Gesamtleistung	850W				
Lastregelung	±3%	±3%	±3%	±10%	±3%
Restwelligkeit	40mVp-p	40mVp-p	60mVp-p	80mVp-p	40mVp-p

750W					
Spannung	+5V	+3,3V	+12V	-12V	+5Vsb
Max. Belastung	20,0A	20,0A	62,0A	0,3A	2,5A
Kombinierte Leistung	110W		744W	3,6W	12,5W
Gesamtleistung	750W				
Lastregelung	±3%	±3%	±3%	±10%	±3%
Restwelligkeit	40mVp-p	40mVp-p	60mVp-p	80mVp-p	40mVp-p

650W					
Spannung	+5V	+3,3V	+12V	-12V	+5Vsb
Max. Belastung	20,0A	20,0A	54,0A	0,3A	2,5A
Kombinierte Leistung	100W		648W	3,6W	12,5W
Gesamtleistung	650W				
Lastregelung	±3%	±3%	±3%	±10%	±3%
Restwelligkeit	40mVp-p	40mVp-p	60mVp-p	80mVp-p	40mVp-p

Abmessungen

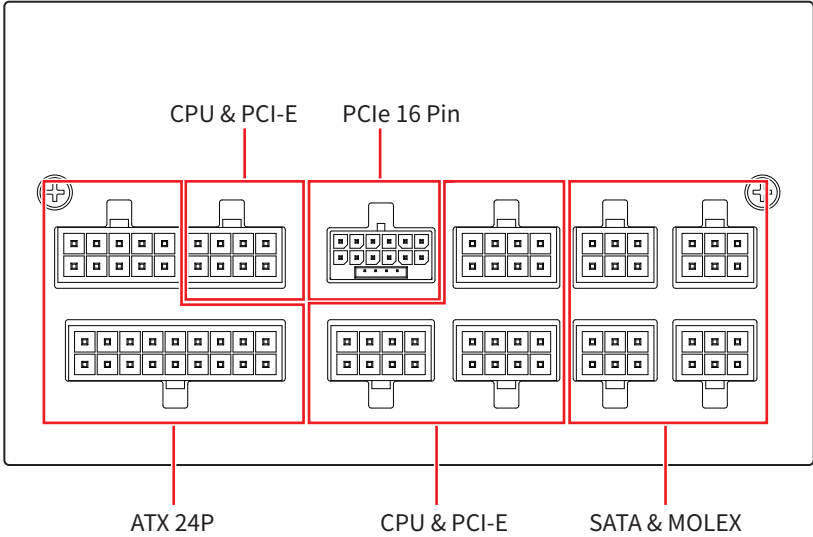


Zahl der Stromanschlüsse

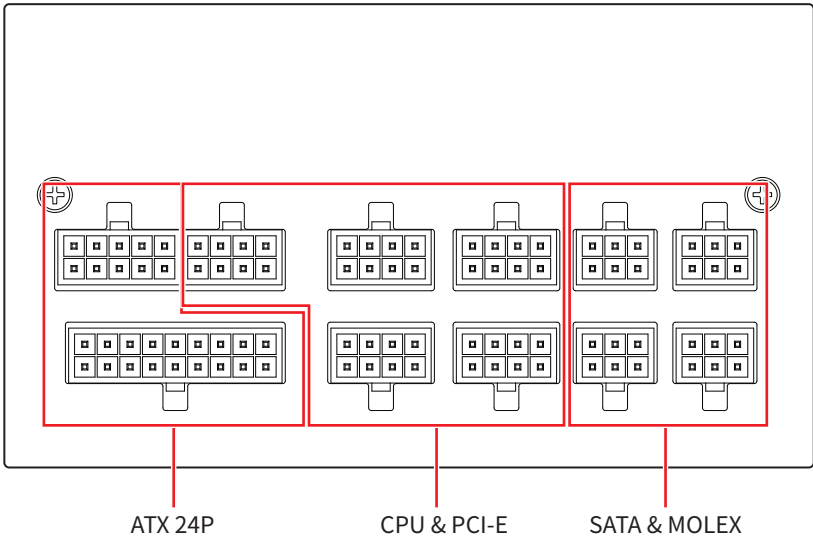
Stromanschlüsse	A850GL	A750GL	A650GL
ATX12V (Motherboard) 20+4 Pin	1	1	1
PCIe 16 Pin	1	1	0
EPS12V (CPU) 4+4 Pin	2	2	2
PCIe (VGA) 6+2 Pin	4	3	4
SATA 15 Pin	8	8	6
Peripheriegerät (PATA) 4 Pin	4	4	3
Diskettenlaufwerk (FDD) 4 Pin	1	1	1

Lösbare Steckverbinder

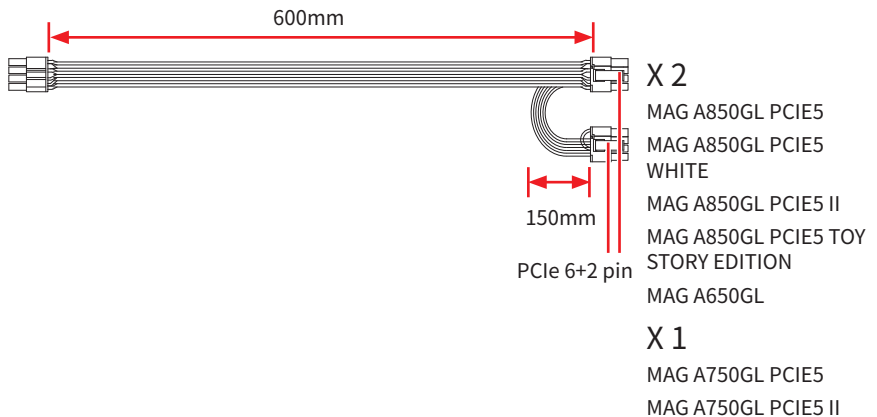
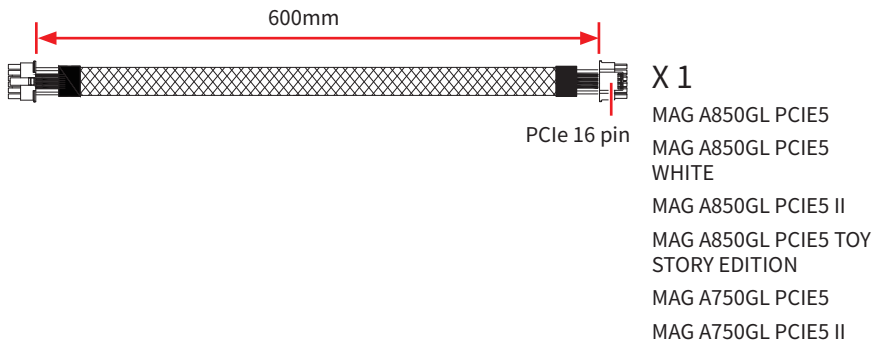
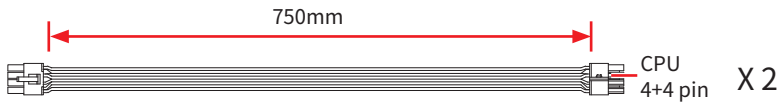
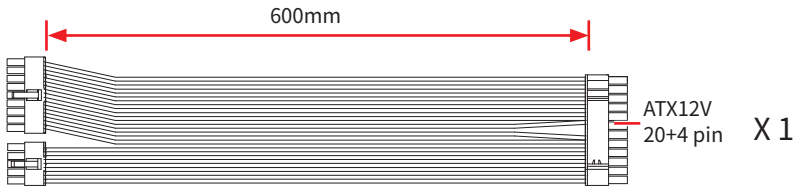
A850GL & A750GL

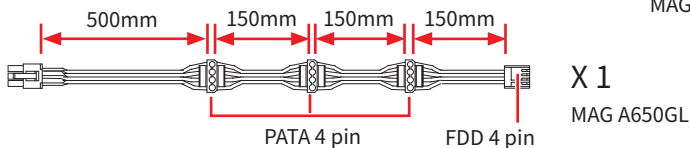
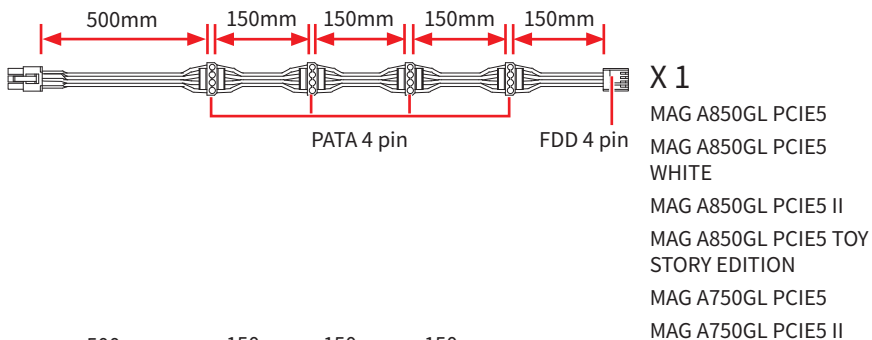
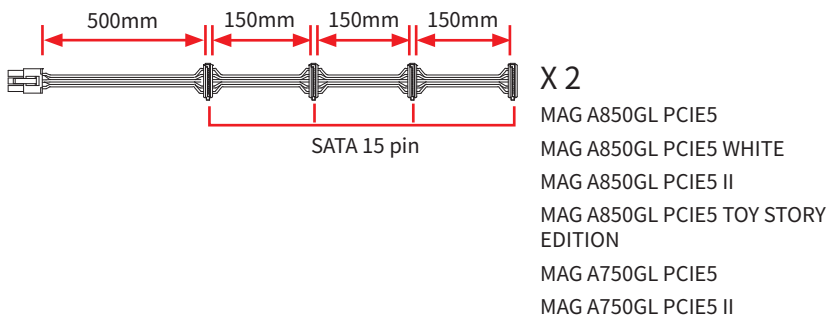
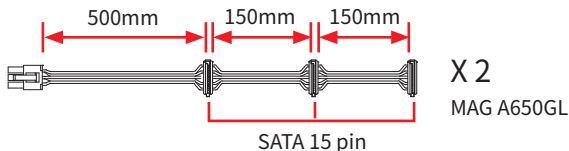
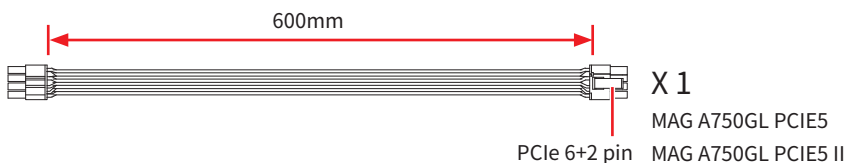


A650GL



Konnektivität und Kabellängen

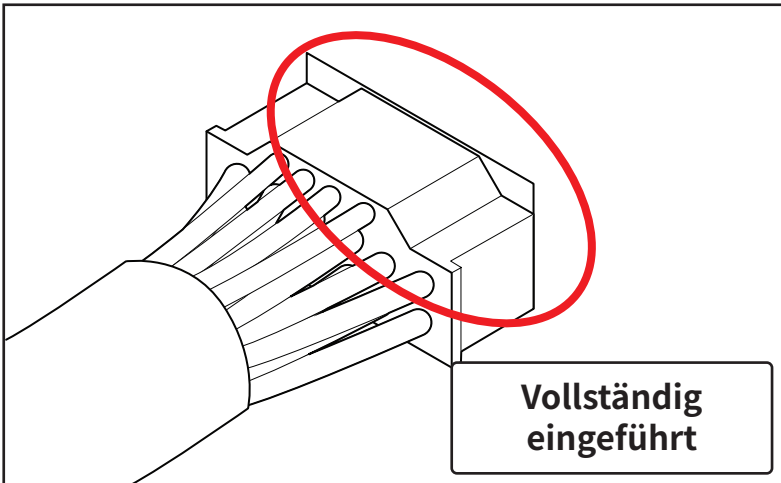
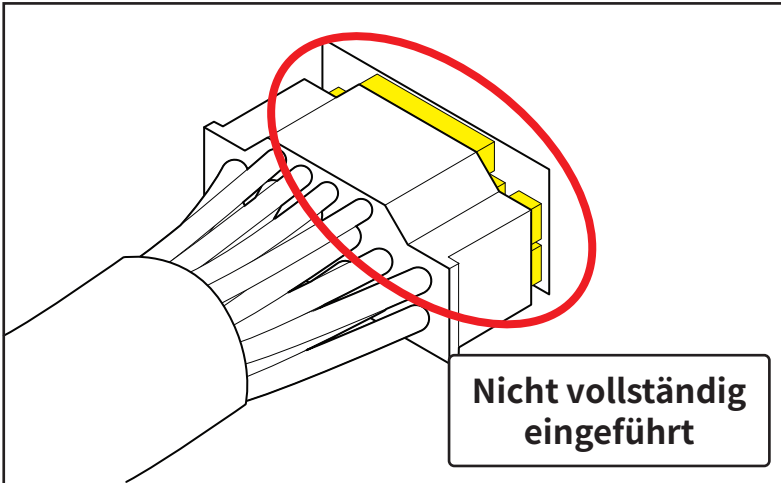




Installation des PCIe 16 Pin Kabels

 **ACHTUNG**

Vor der ersten Verwendung führen Sie bitte das Kabel vollständig in eine der Buchsen ein.



Contents

Caractéristiques	2
Dimensions.....	3
Nombre de connecteurs d' alimentation	4
Connecteurs détachables	5
Connectique et longueur des câbles	6
Installation du câble PCIe 16 broches.....	8

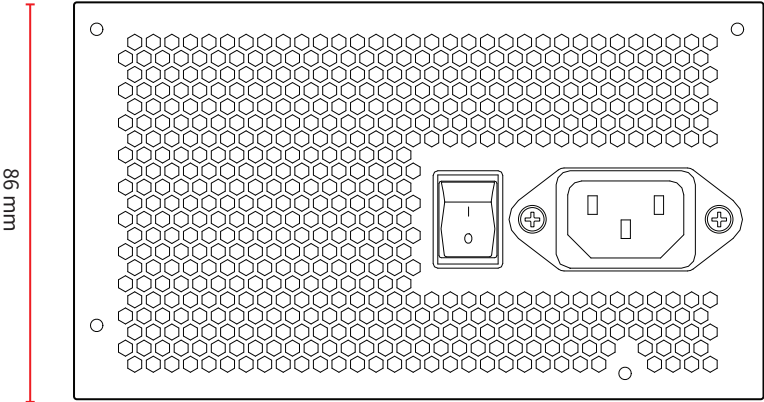
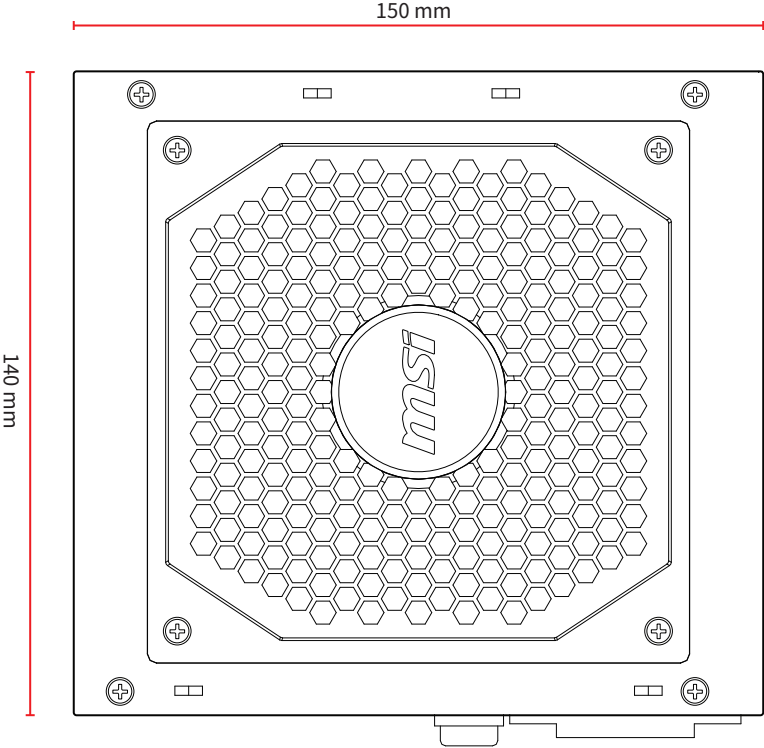
Caractéristiques

850 W					
Tension	+5 V	+3,3 V	+12 V	-12 V	+5 Vsb
Charge maximale	20,0 A	20,0 A	70,5 A	0,3 A	2,5 A
Puissance combinée	110 W		846 W	3,6 W	12,5 W
Puissance totale	850 W				
Régulation	±3 %	±3 %	±3 %	±10 %	±3 %
Ondulation et bruit	40 mVp-p	40 mVp-p	60 mVp-p	80 mVp-p	40 mVp-p

750 W					
Tension	+5 V	+3,3 V	+12 V	-12 V	+5 Vsb
Charge maximale	20,0 A	20,0 A	62,0 A	0,3 A	2,5 A
Puissance combinée	110 W		744 W	3,6 W	12,5 W
Puissance totale	750 W				
Régulation	±3 %	±3 %	±3 %	±10 %	±3 %
Ondulation et bruit	40 mVp-p	40 mVp-p	60 mVp-p	80 mVp-p	40 mVp-p

650 W					
Tension	+5 V	+3,3 V	+12 V	-12 V	+5 Vsb
Charge maximale	20,0 A	20,0 A	54,0 A	0,3 A	2,5 A
Puissance combinée	100 W		648 W	3,6 W	12,5 W
Puissance totale	650 W				
Régulation	±3 %	±3 %	±3 %	±10 %	±3 %
Ondulation et bruit	40 mVp-p	40 mVp-p	60 mVp-p	80 mVp-p	40 mVp-p

Dimensions

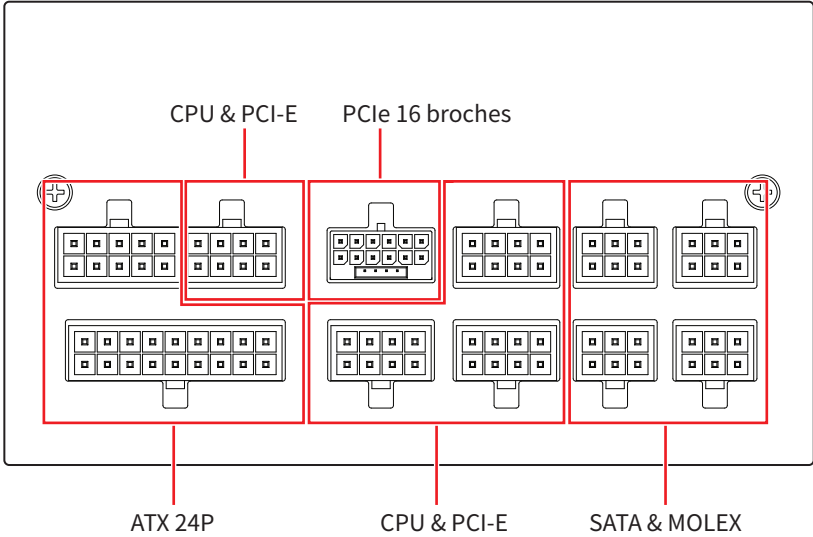


Nombre de connecteurs d'alimentation

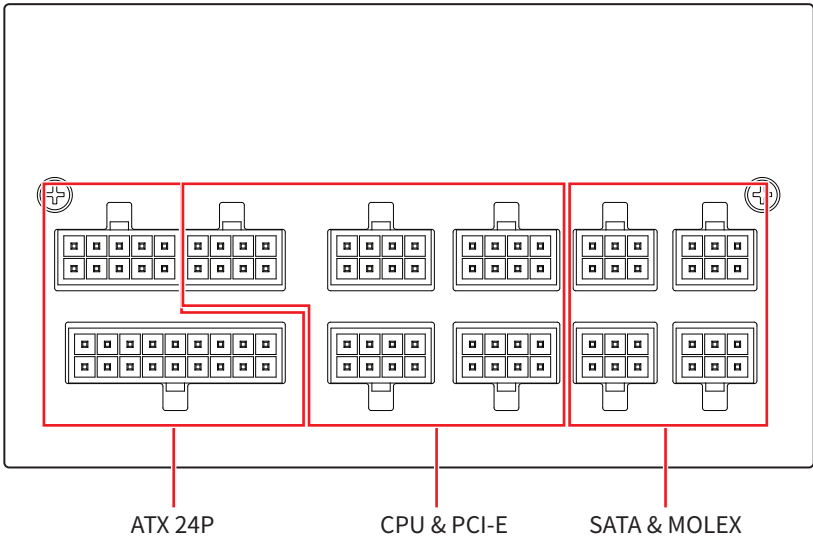
Connecteurs d'alimentation	A850GL	A750GL	A650GL
ATX12V (Carte mère) 20+4 broches	1	1	1
PCIe 16 broches	1	1	0
EPS12V (CPU) 4+4 broches	2	2	2
PCIe (VGA) 6+2 broches	4	3	4
SATA 15 broches	8	8	6
Périphérique (PATA) 4 broches	4	4	3
FDD 4 broches	1	1	1

Connecteurs détachables

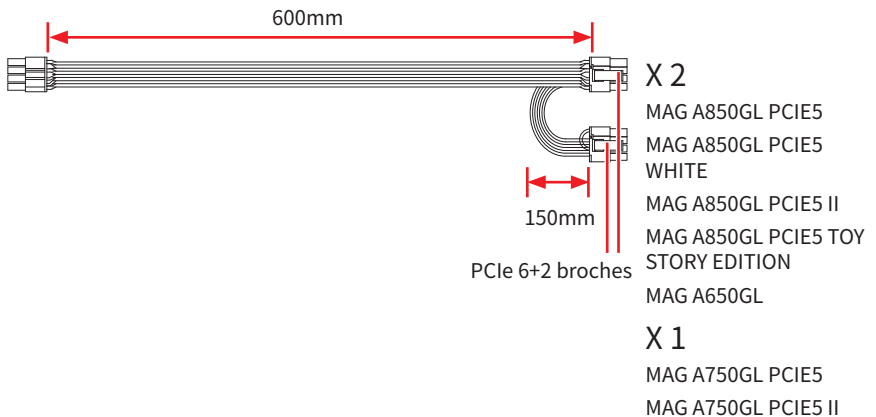
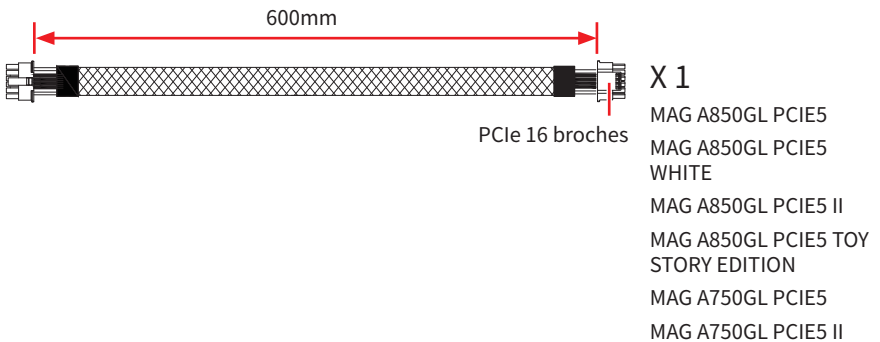
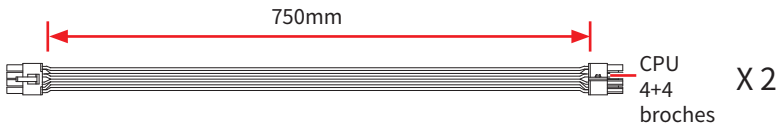
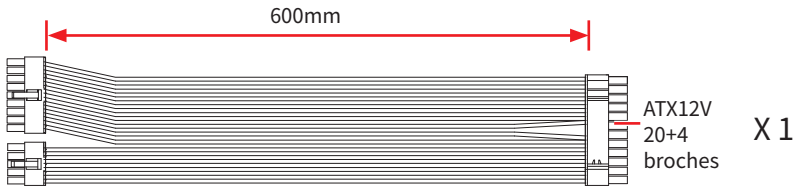
A850GL & A750GL

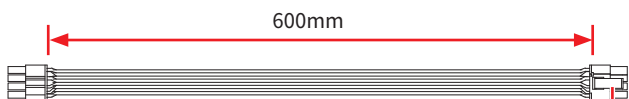


A650GL

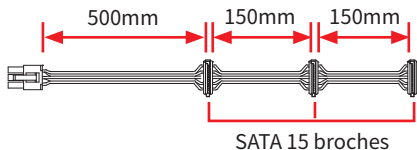


Connectique et longueur des câbles

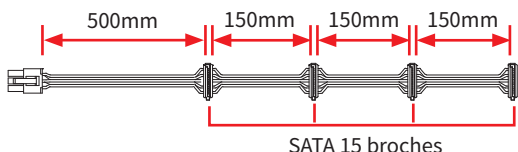




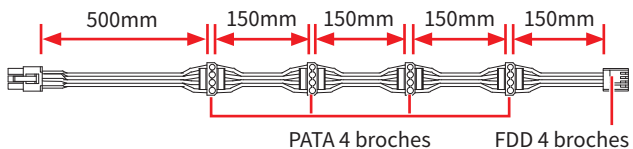
X 1
 MAG A750GL PCIE5
 PCIe 6+2 broches
 MAG A750GL PCIE5 II



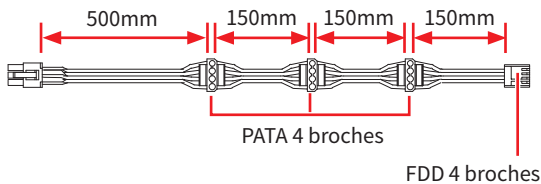
X 2
 MAG A650GL
 SATA 15 broches



X 2
 MAG A850GL PCIE5
 MAG A850GL PCIE5 WHITE
 MAG A850GL PCIE5 II
 MAG A850GL PCIE5 TOY STORY EDITION
 MAG A750GL PCIE5
 MAG A750GL PCIE5 II



X 1
 MAG A850GL PCIE5
 MAG A850GL PCIE5 WHITE
 MAG A850GL PCIE5 II
 MAG A850GL PCIE5 TOY STORY EDITION
 MAG A750GL PCIE5
 MAG A750GL PCIE5 II

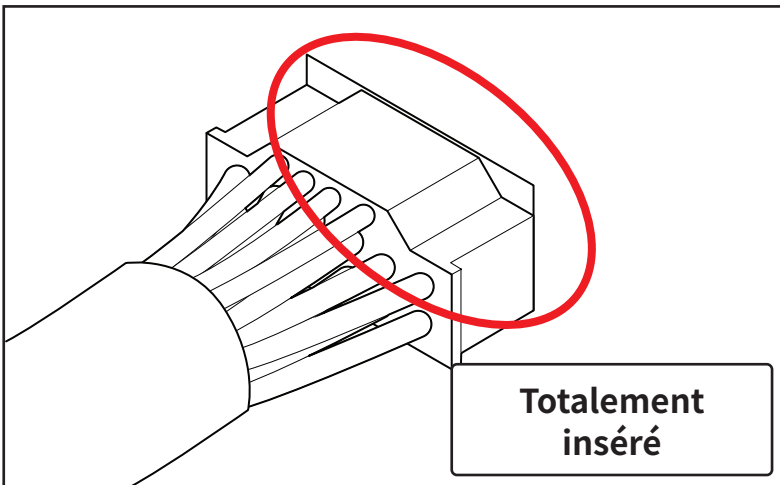
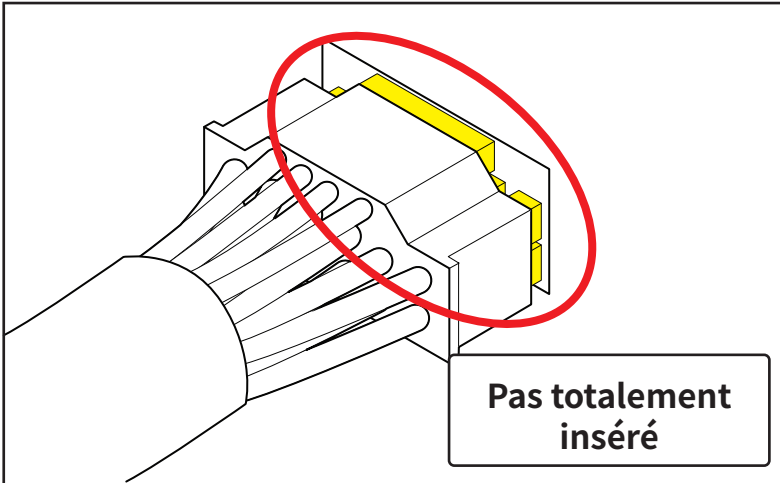


X 1
 MAG A650GL

Installation du câble PCIe 16 broches



Veillez totalement insérer le câble avant de l' utiliser.



Содержание

Спецификация	2
Размеры	3
Кол-во силовых соединителей	4
Кабельные интерфейсы.....	5
Подключение и длина кабелей	6
Подключение кабеля PCIe 16 Pin.....	8

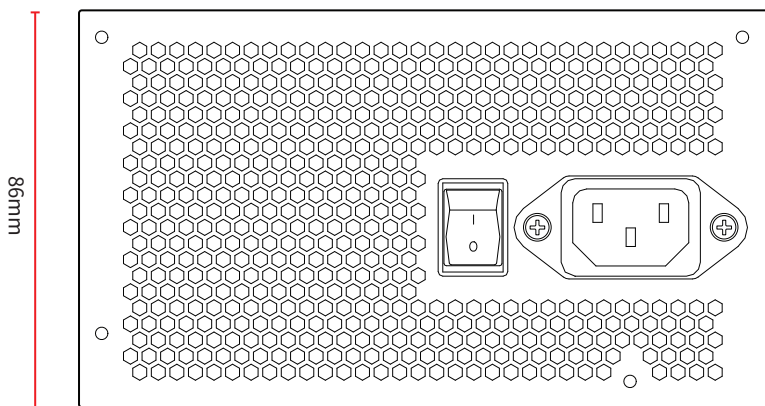
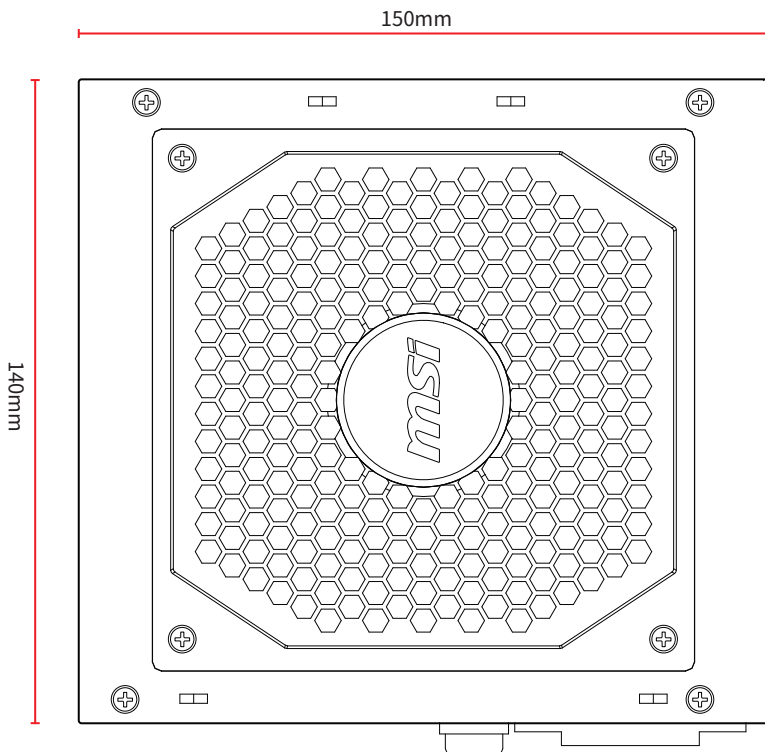
Спецификация

850W					
Напряжение	+5V	+3.3V	+12V	-12V	+5Vsb
Максимальная нагрузка	20.0A	20.0A	70.5A	0.3A	2.5A
Комбинированная мощность	110W		846W	3.6W	12.5W
Общая мощность	850W				
Регулирование	±3%	±3%	±3%	±10%	±3%
Пульсации и шумы	40mVp-p	40mVp-p	60mVp-p	80mVp-p	40mVp-p

750W					
Напряжение	+5V	+3.3V	+12V	-12V	+5Vsb
Максимальная нагрузка	20.0A	20.0A	62.0A	0.3A	2.5A
Комбинированная мощность	110W		744W	3.6W	12.5W
Общая мощность	750W				
Регулирование	±3%	±3%	±3%	±10%	±3%
Пульсации и шумы	40mVp-p	40mVp-p	60mVp-p	80mVp-p	40mVp-p

650W					
Напряжение	+5V	+3.3V	+12V	-12V	+5Vsb
Максимальная нагрузка	20.0A	20.0A	54.0A	0.3A	2.5A
Комбинированная мощность	100W		648W	3.6W	12.5W
Общая мощность	650W				
Регулирование	±3%	±3%	±3%	±10%	±3%
Пульсации и шумы	40mVp-p	40mVp-p	60mVp-p	80mVp-p	40mVp-p

Размеры

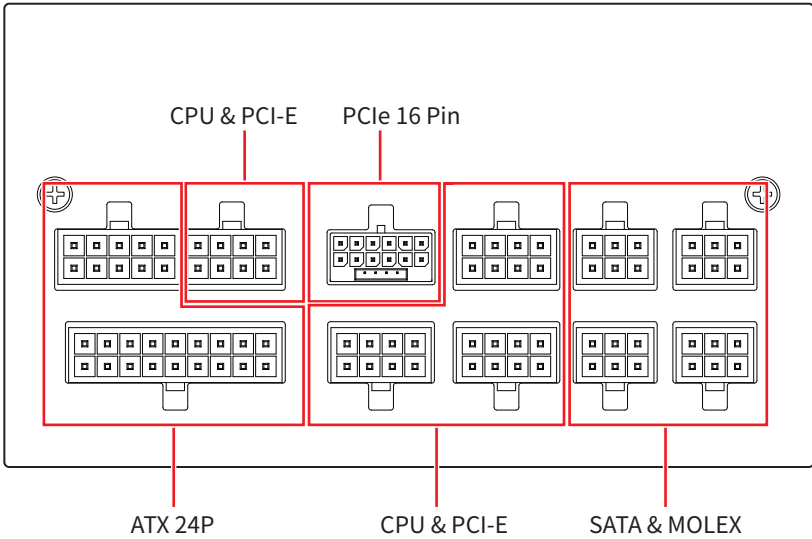


Кол-во силовых соединителей

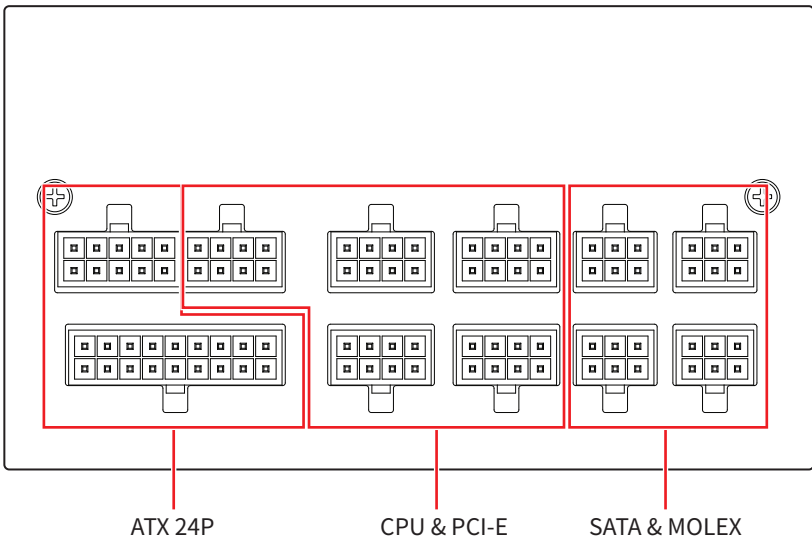
Разъем питания	A850GL	A750GL	A650GL
ATX12V (Материнская плата) 20+4 pin	1	1	1
PCIe 16 pin	1	1	0
EPS12V (CPU) 4+4 pin	2	2	2
PCIe (VGA) 6+2 pin	4	3	4
SATA 15 pin	8	8	6
Периферийные устройства (PATA) 4 pin	4	4	3
FDD 4 pin	1	1	1

Кабельные интерфейсы

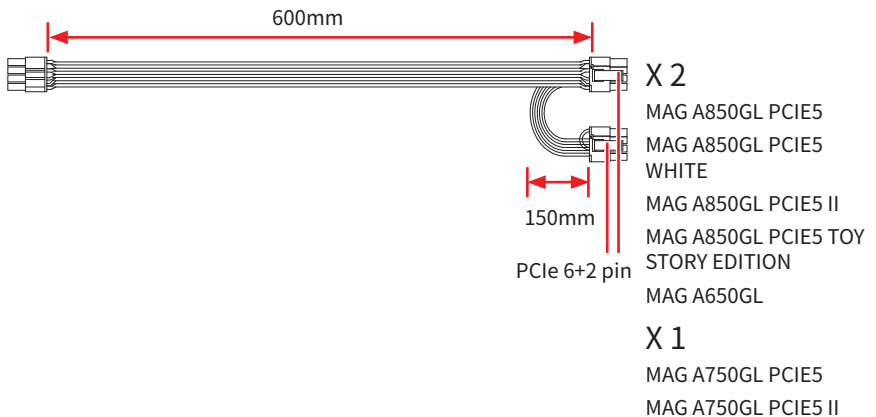
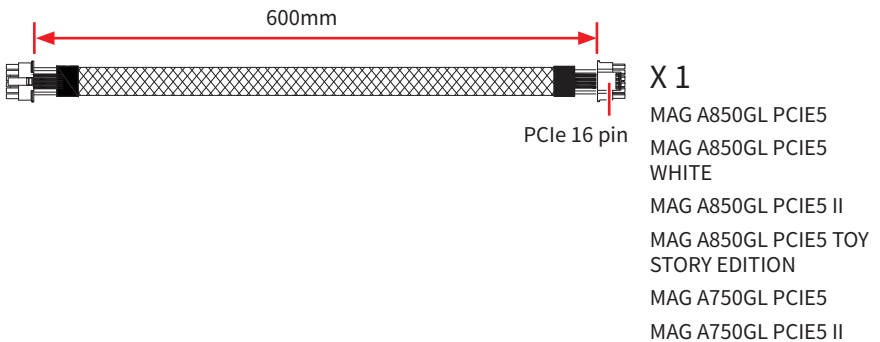
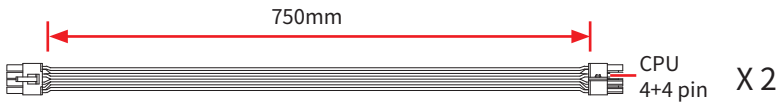
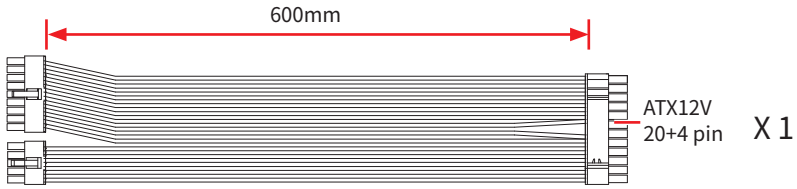
A850GL & A750GL

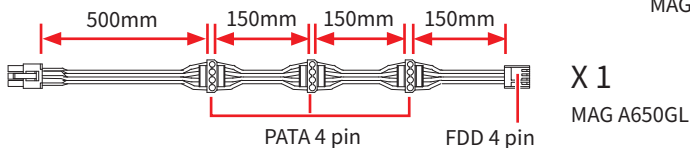
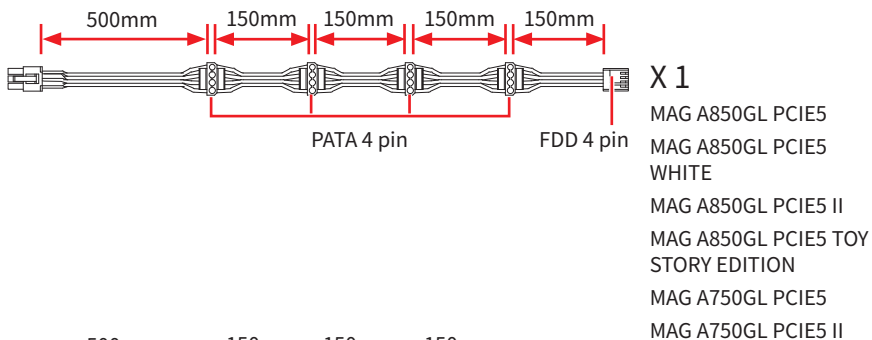
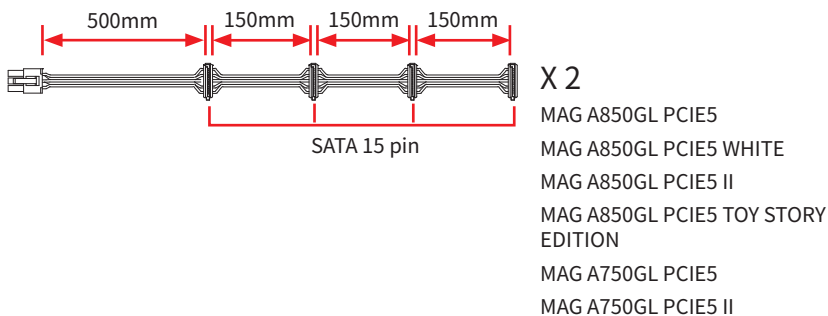
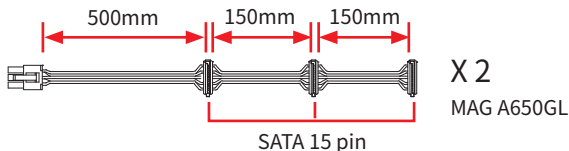
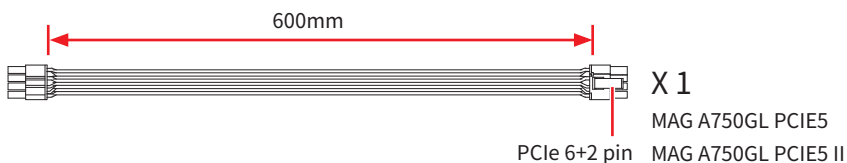


A650GL



Подключение и длина кабелей

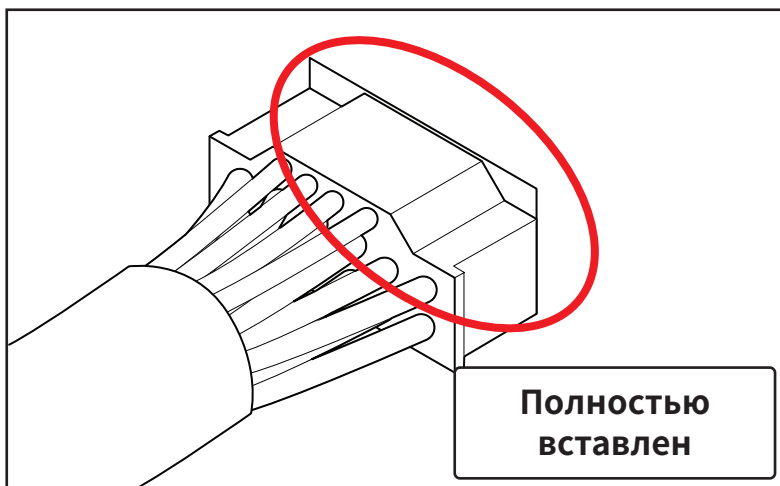
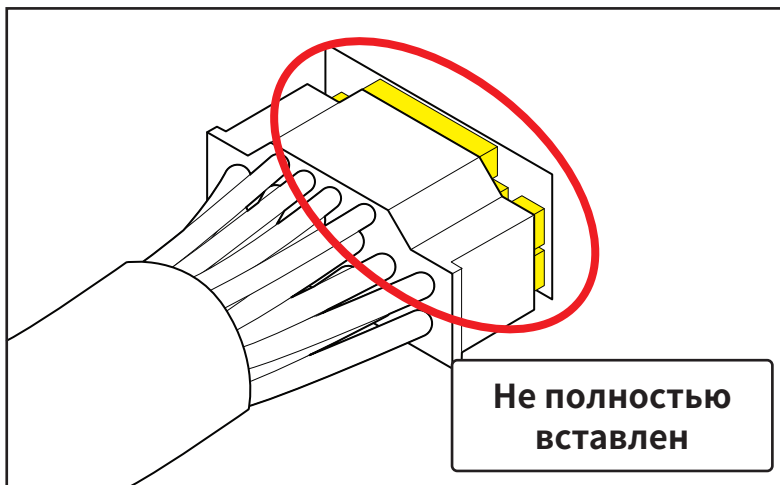




Подключение кабеля PCIe 16 Pin



Перед использованием убедитесь, что кабель полностью вставлен.



目次

仕様.....	2
外形寸法.....	3
電源コネクタ数.....	4
電源コネクタ配置図.....	5
コネクタ&ケーブル長さ.....	6
PCIe 16ピンケーブルの取り付け.....	8

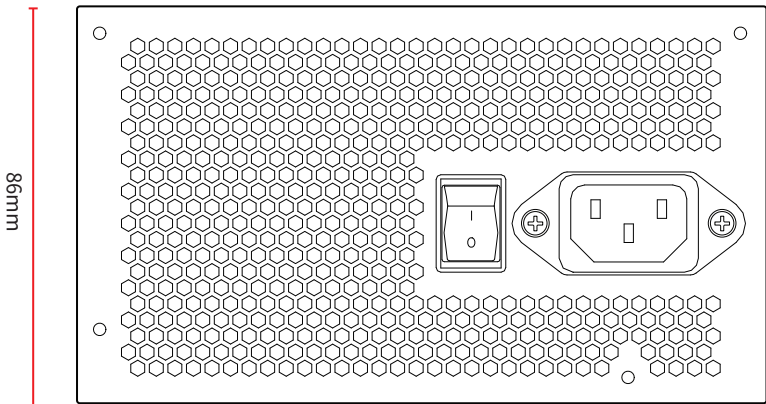
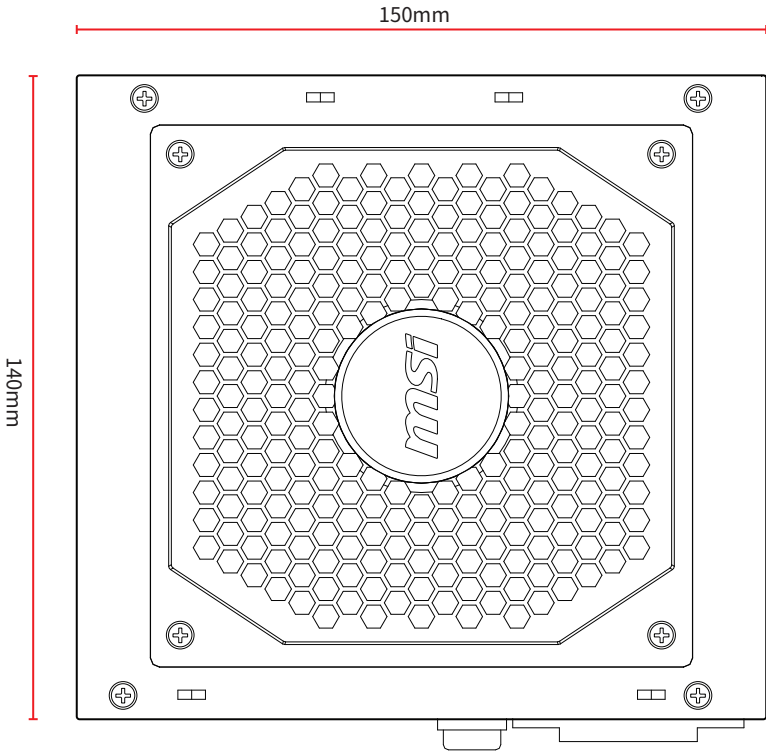
仕様

850W					
電圧	+5V	+3.3V	+12V	-12V	+5Vsb
最大電流	20.0A	20.0A	70.5A	0.3A	2.5A
最大電力	110W		846W	3.6W	12.5W
最大総合電力	850W				
レギュレーション	±3%	±3%	±3%	±10%	±3%
リップルノイズ	40mVp-p	40mVp-p	60mVp-p	80mVp-p	40mVp-p

750W					
電圧	+5V	+3.3V	+12V	-12V	+5Vsb
最大電流	20.0A	20.0A	62.0A	0.3A	2.5A
最大電力	110W		744W	3.6W	12.5W
最大総合電力	750W				
レギュレーション	±3%	±3%	±3%	±10%	±3%
リップルノイズ	40mVp-p	40mVp-p	60mVp-p	80mVp-p	40mVp-p

650W					
電圧	+5V	+3.3V	+12V	-12V	+5Vsb
最大電流	20.0A	20.0A	54.0A	0.3A	2.5A
最大電力	100W		648W	3.6W	12.5W
最大総合電力	650W				
レギュレーション	±3%	±3%	±3%	±10%	±3%
リップルノイズ	40mVp-p	40mVp-p	60mVp-p	80mVp-p	40mVp-p

外形寸法

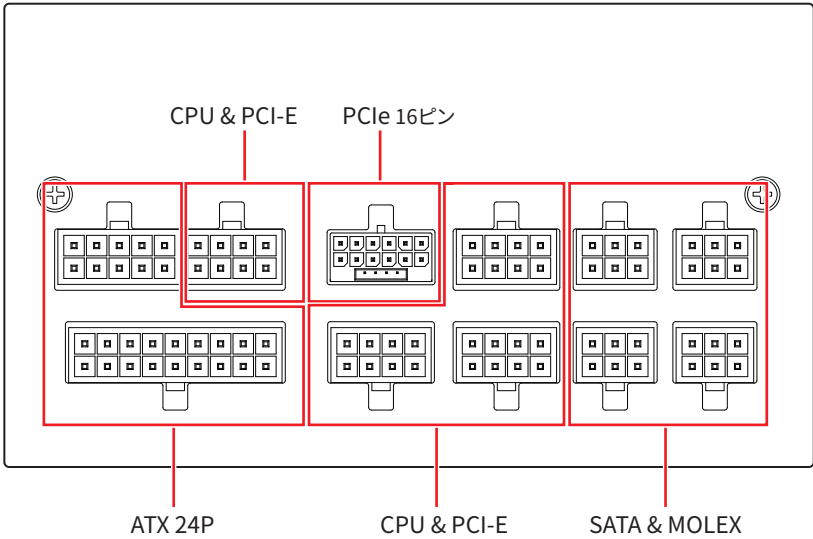


電源コネクタ数

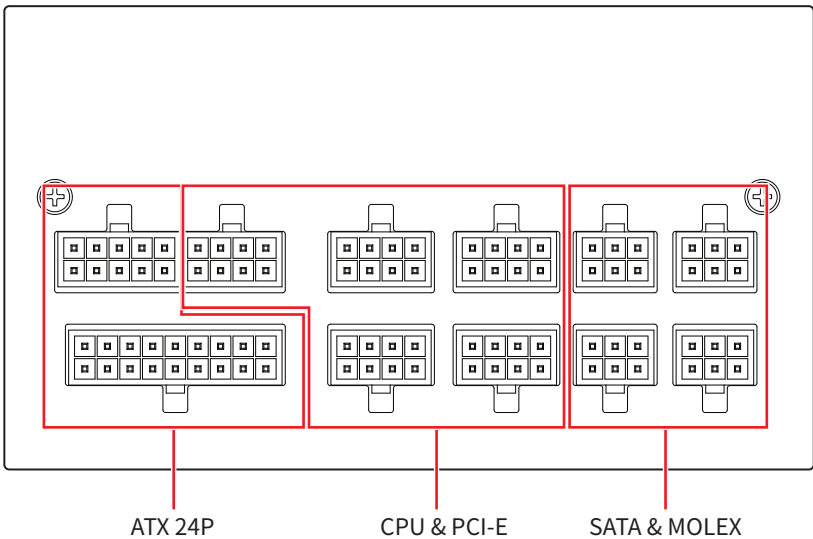
電源コネクタ	A850GL	A750GL	A650GL
ATX12V (マザーボード) 20+4ピン	1	1	1
PCIe 16ピン	1	1	0
EPS12V (CPU) 4+4ピン	2	2	2
PCIe (VGA) 6+2ピン	4	3	4
SATA 15ピン	8	8	6
ペリフェラル (PATA) 4ピン	4	4	3
FDD 4ピン	1	1	1

電源コネクタ配置図

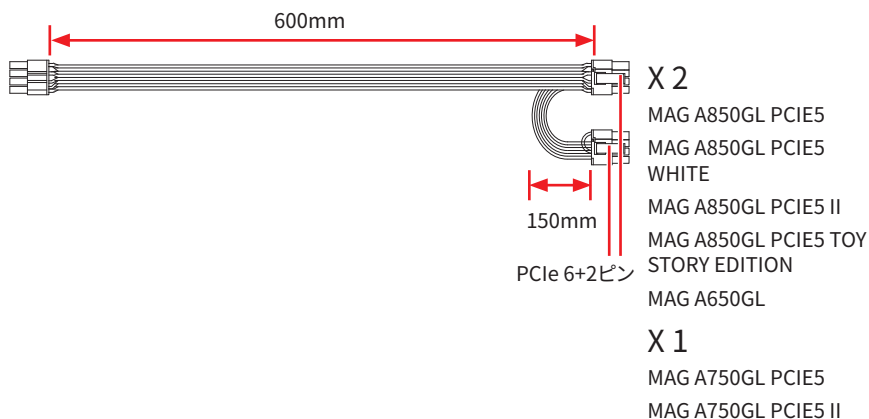
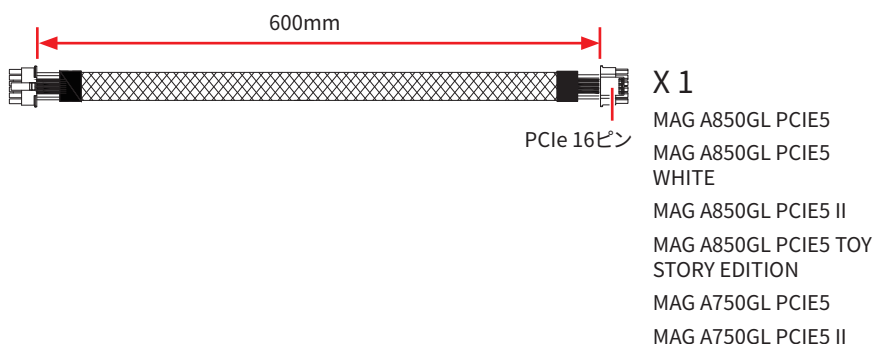
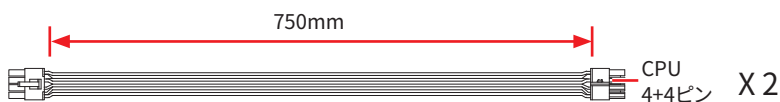
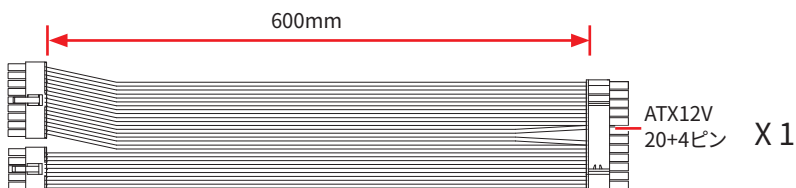
A850GL & A750GL

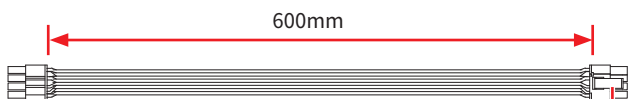


A650GL



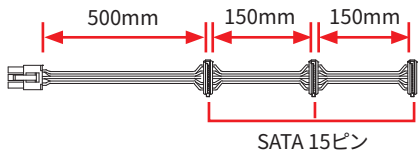
コネクター & ケーブル長さ





X 1

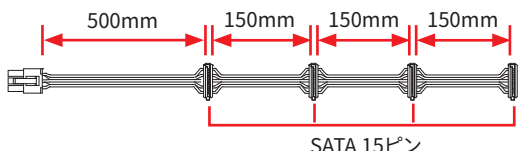
MAG A750GL PCIE5
PCle 6+2ピン MAG A750GL PCIE5 II



X 2

MAG A650GL

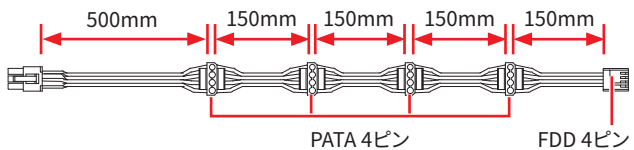
SATA 15ピン



X 2

MAG A850GL PCIE5
MAG A850GL PCIE5 WHITE
MAG A850GL PCIE5 II
MAG A850GL PCIE5 TOY STORY EDITION
MAG A750GL PCIE5
MAG A750GL PCIE5 II

SATA 15ピン

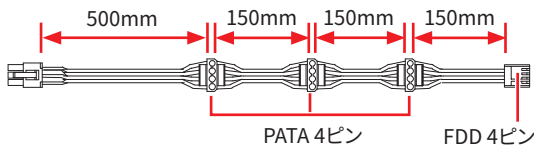


X 1

MAG A850GL PCIE5
MAG A850GL PCIE5 WHITE
MAG A850GL PCIE5 II
MAG A850GL PCIE5 TOY STORY EDITION
MAG A750GL PCIE5
MAG A750GL PCIE5 II

PATA 4ピン

FDD 4ピン



X 1

MAG A650GL

PATA 4ピン

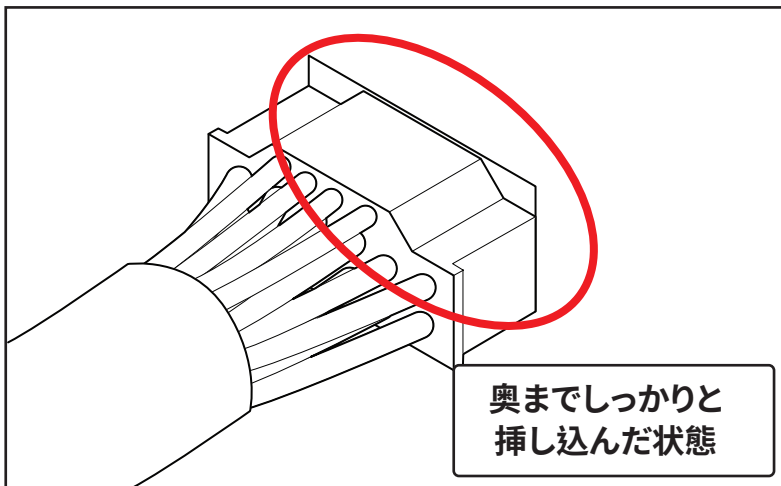
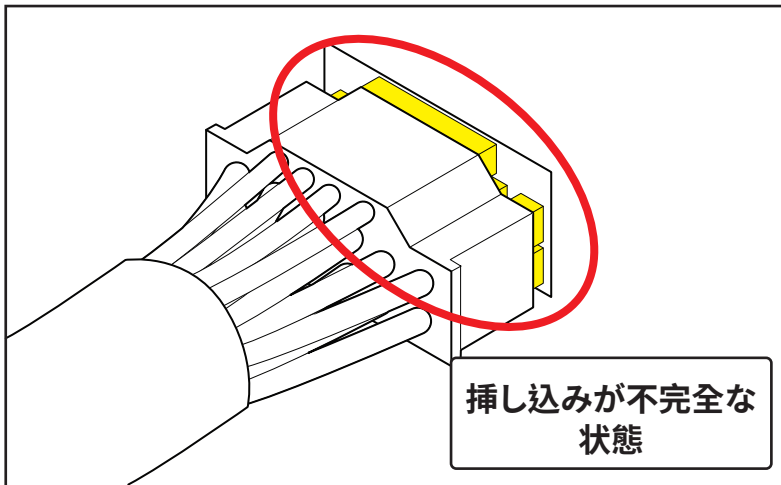
FDD 4ピン

PCIe 16ピンケーブルの取り付け



警告

ケーブルを奥までしっかりと挿し込んでください。



목차

사양	2
치수	3
전원 커넥터 수	4
탈착식 커넥터	5
연결 및 케이블 길이	6
PCIe 16 핀케이블 설치.....	8

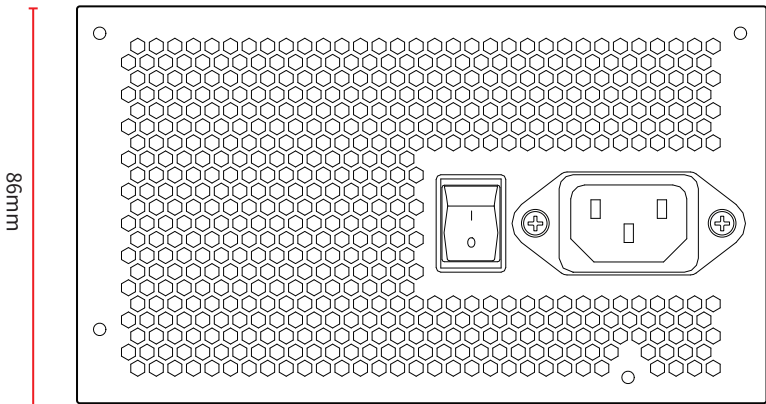
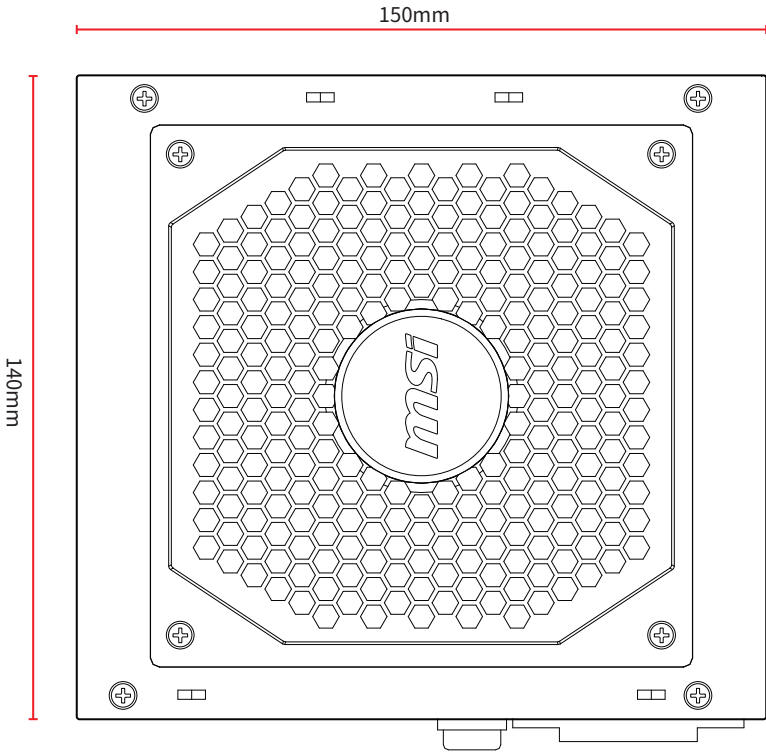
사양

850W					
전압	+5V	+3.3V	+12V	-12V	+5Vsb
최대 하중	20.0A	20.0A	70.5A	0.3A	2.5A
결합 전원	110W		846W	3.6W	12.5W
토탈 전원	850W				
규격	±3%	±3%	±3%	±10%	±3%
리플 & 노이즈	40mVp-p	40mVp-p	60mVp-p	80mVp-p	40mVp-p

750W					
전압	+5V	+3.3V	+12V	-12V	+5Vsb
최대 하중	20.0A	20.0A	62.0A	0.3A	2.5A
결합 전원	110W		744W	3.6W	12.5W
토탈 전원	750W				
규격	±3%	±3%	±3%	±10%	±3%
리플 & 노이즈	40mVp-p	40mVp-p	60mVp-p	80mVp-p	40mVp-p

650W					
전압	+5V	+3.3V	+12V	-12V	+5Vsb
최대 하중	20.0A	20.0A	54.0A	0.3A	2.5A
결합 전원	100W		648W	3.6W	12.5W
토탈 전원	650W				
규격	±3%	±3%	±3%	±10%	±3%
리플 & 노이즈	40mVp-p	40mVp-p	60mVp-p	80mVp-p	40mVp-p

치수

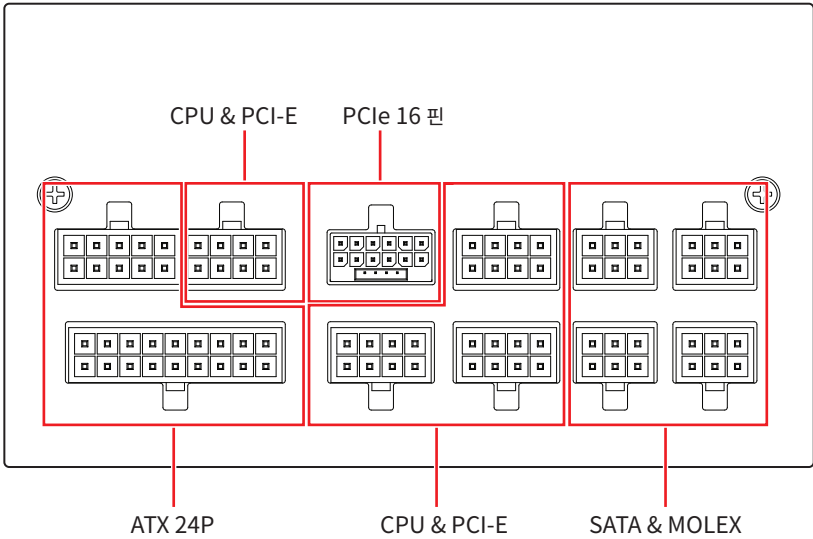


전원 커넥터 수

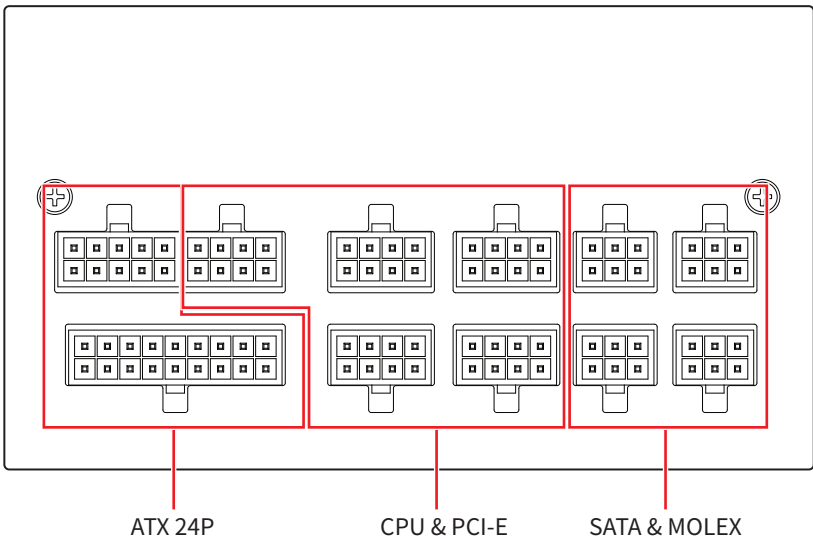
전원 커넥터	A850GL	A750GL	A650GL
ATX12V (메인보드) 20+4 핀	1	1	1
PCIe 16 핀	1	1	0
EPS12V (CPU) 4+4 핀	2	2	2
PCIe (VGA) 6+2 핀	4	3	4
SATA 15 핀	8	8	6
주변기기(PATA) 4핀	4	4	3
FDD 4 핀	1	1	1

탈착식 커넥터

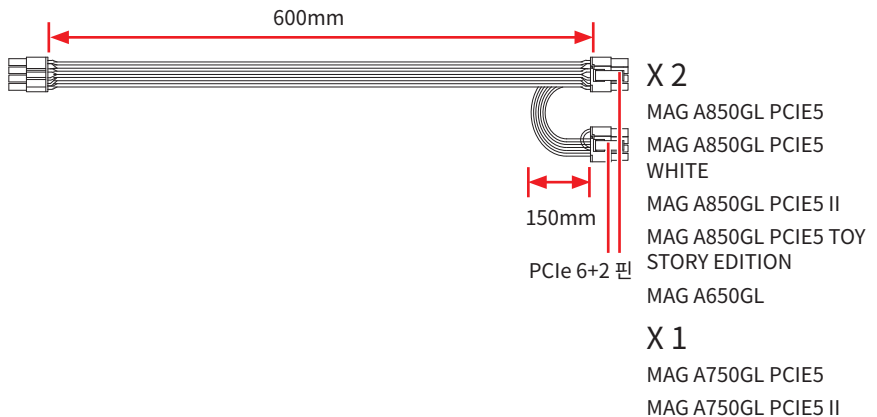
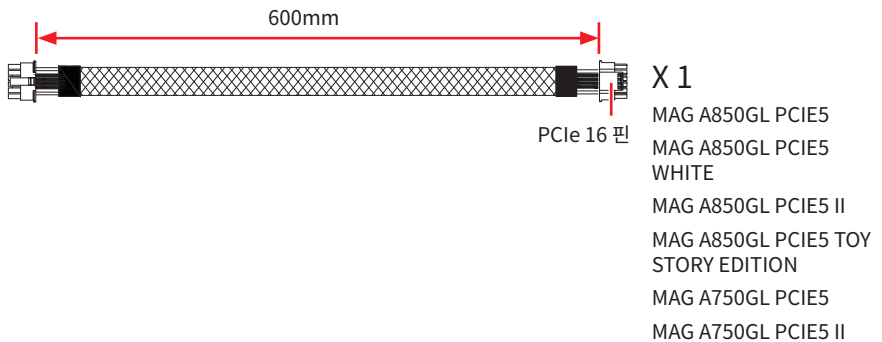
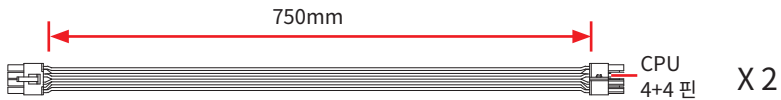
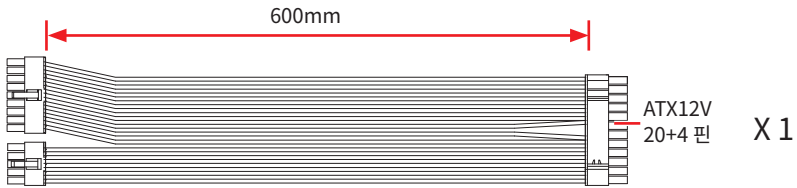
A850GL & A750GL

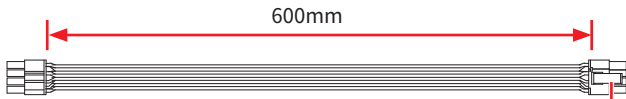


A650GL

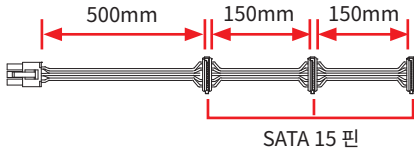


연결 및 케이블 길이

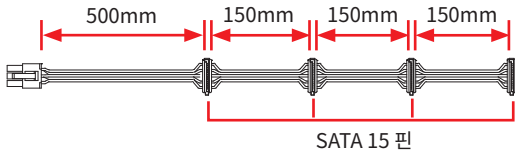




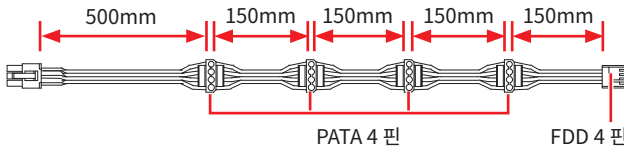
X 1
 MAG A750GL PCIE5
 PCIe 6+2 핀 MAG A750GL PCIE5 II



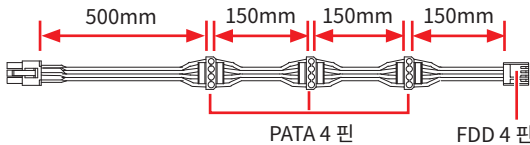
X 2
 MAG A650GL
 SATA 15 핀



X 2
 MAG A850GL PCIE5
 MAG A850GL PCIE5 WHITE
 MAG A850GL PCIE5 II
 MAG A850GL PCIE5 TOY STORY EDITION
 MAG A750GL PCIE5
 MAG A750GL PCIE5 II



X 1
 MAG A850GL PCIE5
 MAG A850GL PCIE5 WHITE
 MAG A850GL PCIE5 II
 MAG A850GL PCIE5 TOY STORY EDITION
 MAG A750GL PCIE5
 MAG A750GL PCIE5 II

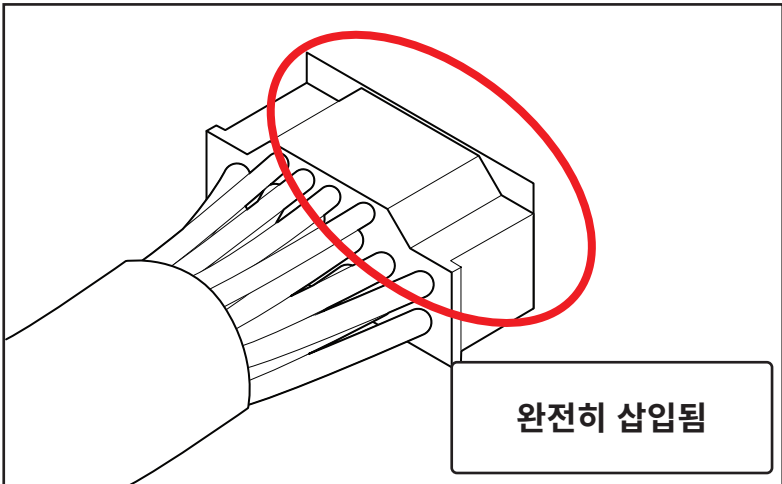
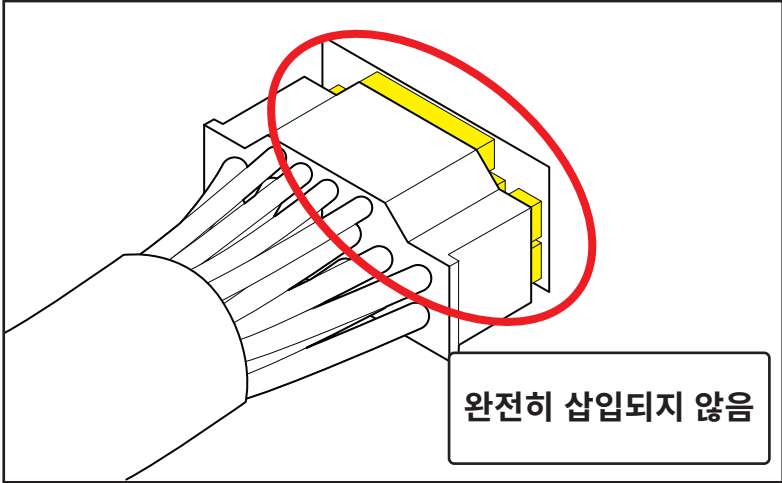


X 1
 MAG A650GL

PCIe 16 핀케이블 설치

 주의

사용하기 전에 케이블을 완전히 삽입하십시오.



目錄

規格	2
尺寸	3
電源接頭數量	4
可拆卸接頭	5
連接頭和電纜長度	6
PCIe 16 針線材安裝	7

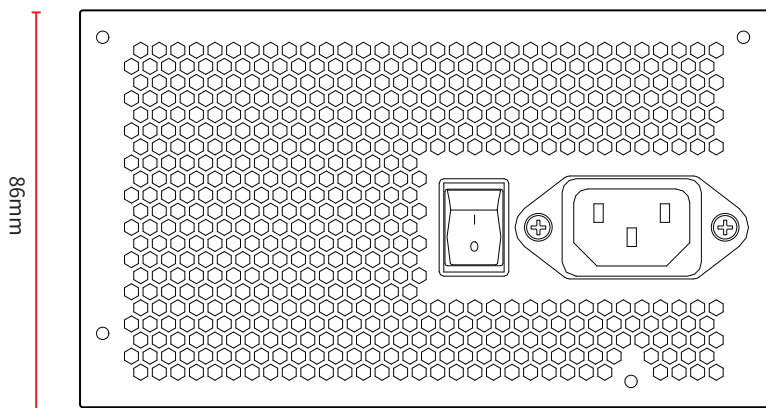
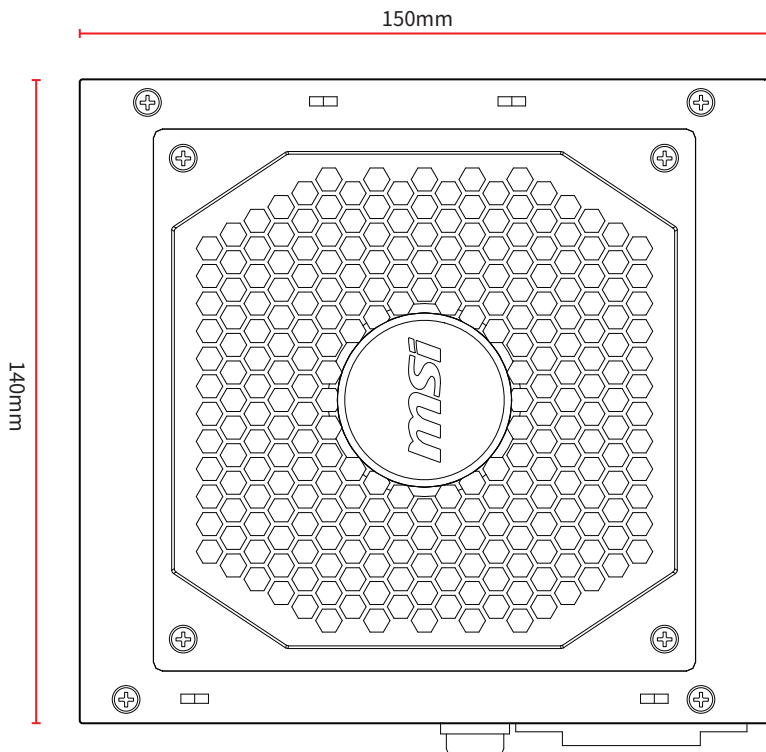
規格

850W					
電壓	+5V	+3.3V	+12V	-12V	+5Vsb
最大負載	20.0A	20.0A	70.5A	0.3A	2.5A
結合功率	110W		846W	3.6W	12.5W
總功率	850W				
調節	±3%	±3%	±3%	±10%	±3%
紋波雜訊	40mVp-p	40mVp-p	60mVp-p	80mVp-p	40mVp-p

750W					
電壓	+5V	+3.3V	+12V	-12V	+5Vsb
最大負載	20.0A	20.0A	62.0A	0.3A	2.5A
結合功率	110W		744W	3.6W	12.5W
總功率	750W				
調節	±3%	±3%	±3%	±10%	±3%
紋波雜訊	40mVp-p	40mVp-p	60mVp-p	80mVp-p	40mVp-p

650W					
電壓	+5V	+3.3V	+12V	-12V	+5Vsb
最大負載	20.0A	20.0A	54.0A	0.3A	2.5A
結合功率	100W		648W	3.6W	12.5W
總功率	650W				
調節	±3%	±3%	±3%	±10%	±3%
紋波雜訊	40mVp-p	40mVp-p	60mVp-p	80mVp-p	40mVp-p

尺寸

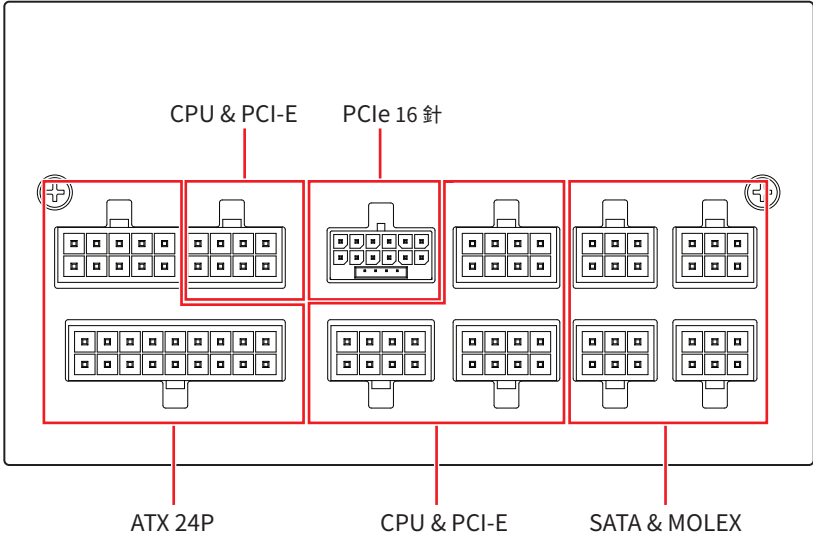


電源接頭數量

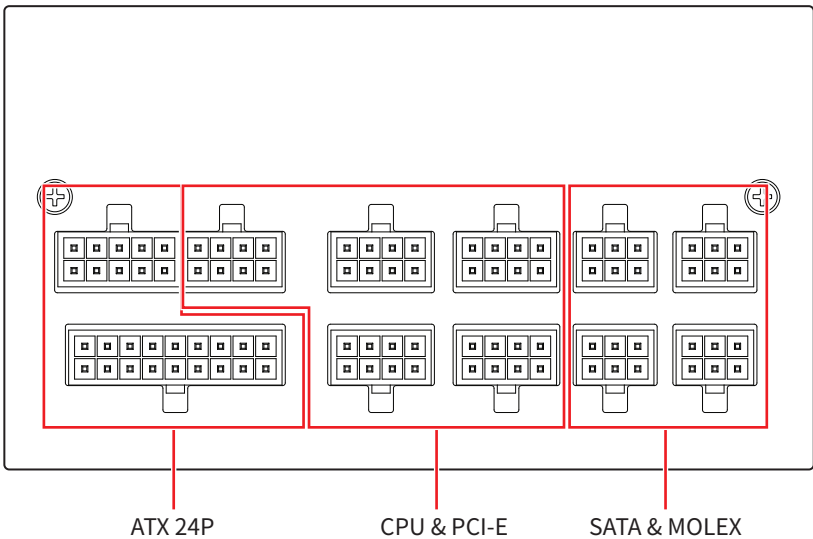
電源接頭	A850GL	A750GL	A650GL
ATX12V (主機板) 20+4 針	1	1	1
PCIe 16 針	1	1	0
EPS12V (CPU) 4+4 針	2	2	2
PCIe (VGA) 6+2 針	4	3	4
SATA 15 針	8	8	6
週邊設備 (PATA) 4 針	4	4	3
FDD 4 針	1	1	1

可拆卸接頭

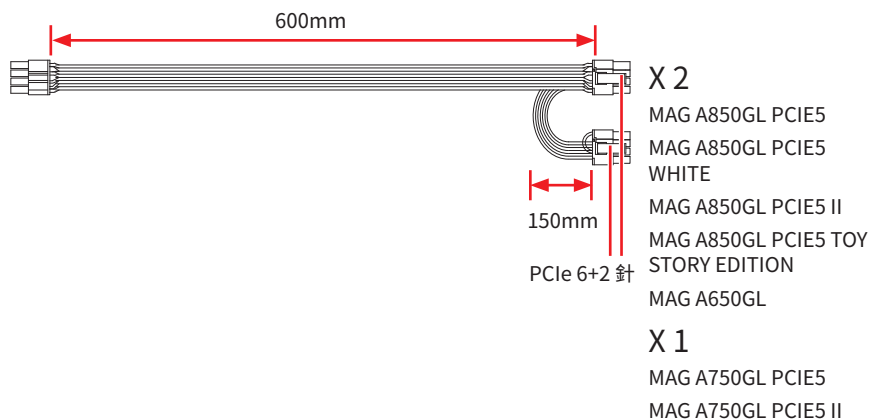
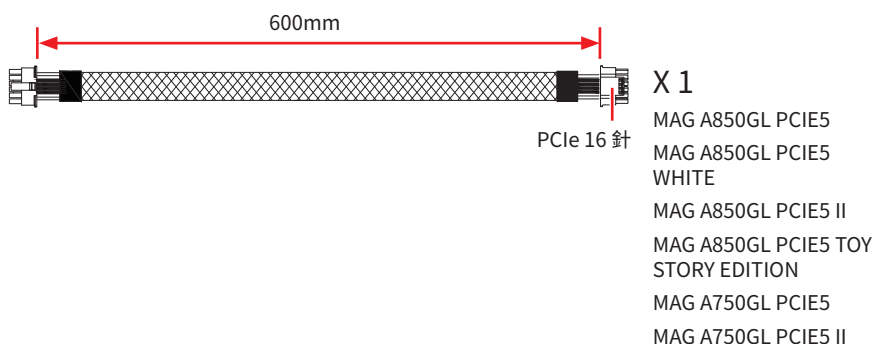
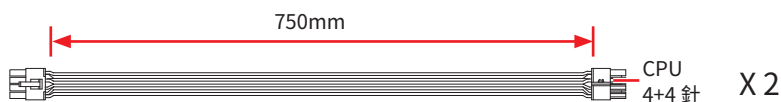
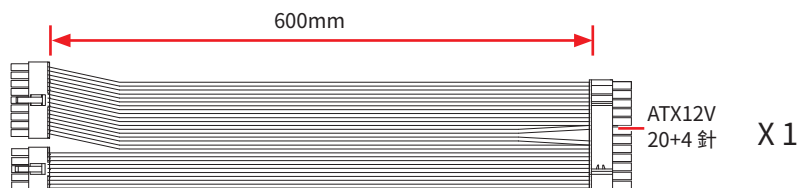
A850GL & A750GL

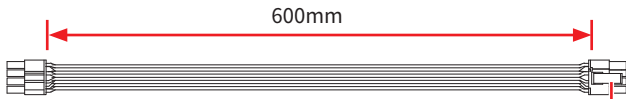


A650GL

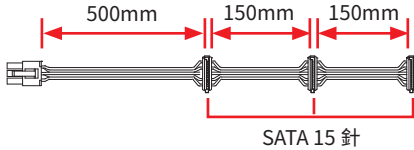


連接頭和電纜長度

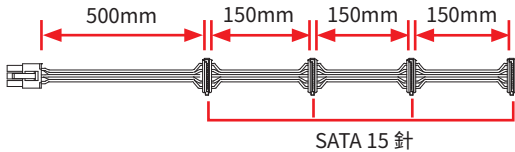




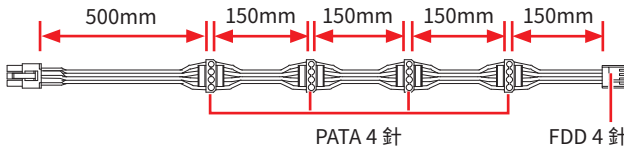
X 1
 MAG A750GL PCIE5
 MAG A750GL PCIE5 II
 PCIe 6+2 針



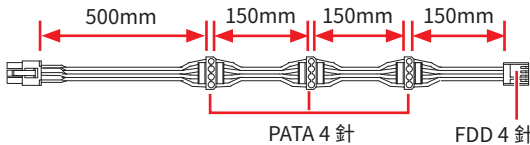
X 2
 MAG A650GL
 SATA 15 針



X 2
 MAG A850GL PCIE5
 MAG A850GL PCIE5 WHITE
 MAG A850GL PCIE5 II
 MAG A850GL PCIE5 TOY STORY EDITION
 MAG A750GL PCIE5
 MAG A750GL PCIE5 II
 SATA 15 針



X 1
 MAG A850GL PCIE5
 MAG A850GL PCIE5 WHITE
 MAG A850GL PCIE5 II
 MAG A850GL PCIE5 TOY STORY EDITION
 MAG A750GL PCIE5
 MAG A750GL PCIE5 II
 PATA 4 針
 FDD 4 針

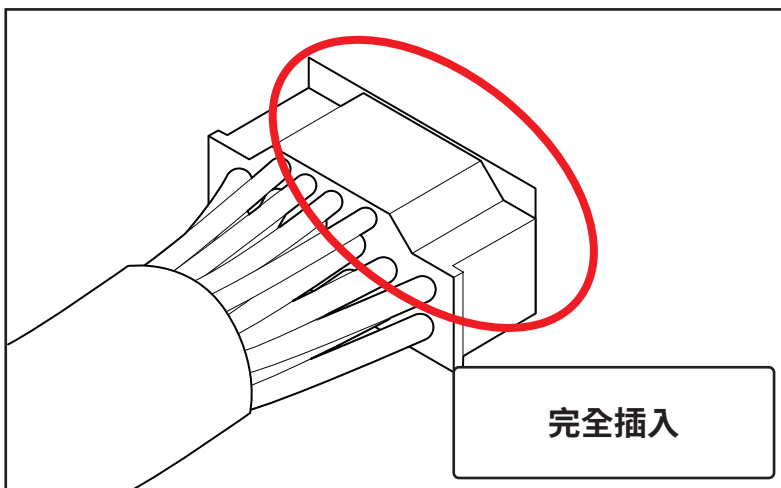
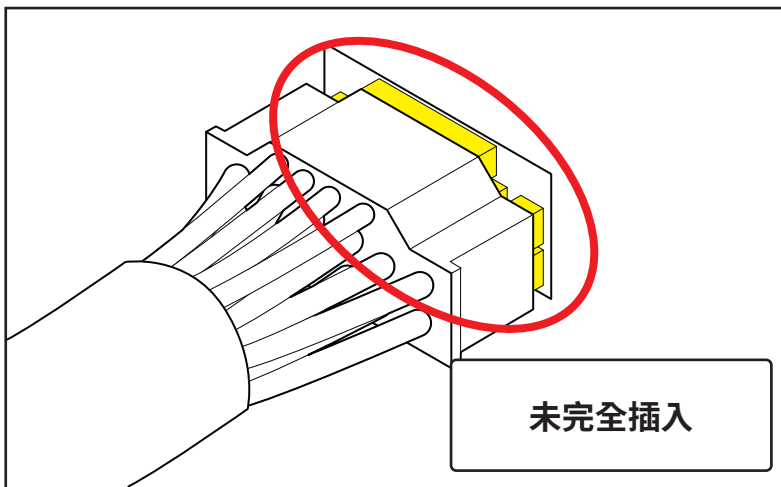


X 1
 MAG A650GL
 PATA 4 針
 FDD 4 針

PCIe 16 針線材安裝



使用前請確實插好插頭。



目录

产品规格	2
尺寸	3
电源接口数量	4
可拆卸接口	5
连接口和电缆的长度	6
PCIe 16 针电缆安装	8

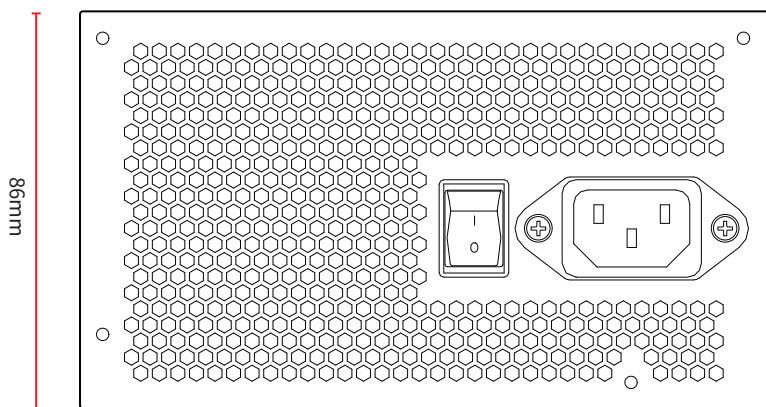
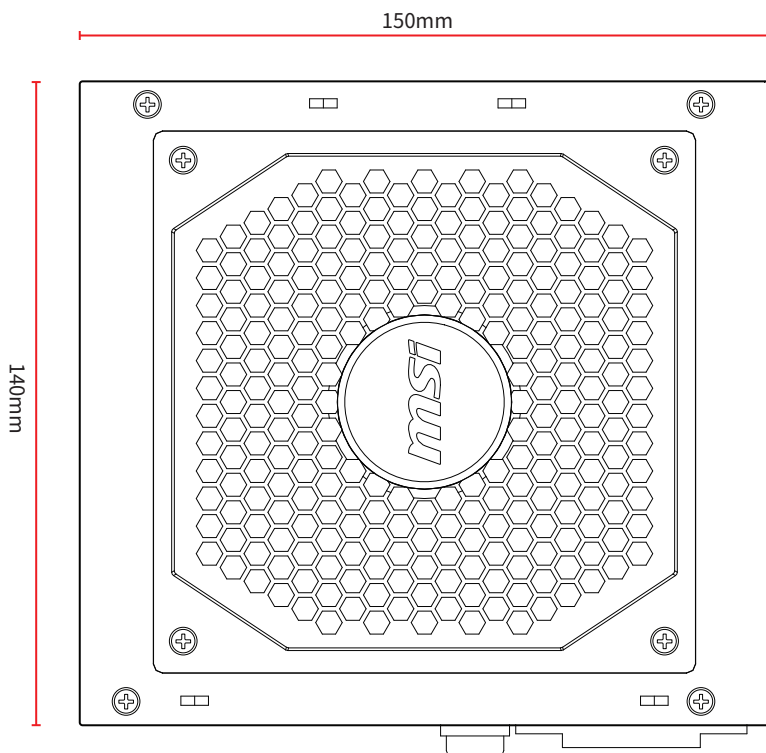
产品规格

850W					
电压	+5V	+3.3V	+12V	-12V	+5Vsb
最大负载	20.0A	20.0A	70.5A	0.3A	2.5A
组合功率	110W		846W	3.6W	12.5W
总功率	850W				
调节	±3%	±3%	±3%	±10%	±3%
波纹噪声	40mVp-p	40mVp-p	60mVp-p	80mVp-p	40mVp-p

750W					
电压	+5V	+3.3V	+12V	-12V	+5Vsb
最大负载	20.0A	20.0A	62.0A	0.3A	2.5A
组合功率	110W		744W	3.6W	12.5W
总功率	750W				
调节	±3%	±3%	±3%	±10%	±3%
波纹噪声	40mVp-p	40mVp-p	60mVp-p	80mVp-p	40mVp-p

650W					
电压	+5V	+3.3V	+12V	-12V	+5Vsb
最大负载	20.0A	20.0A	54.0A	0.3A	2.5A
组合功率	100W		648W	3.6W	12.5W
总功率	650W				
调节	±3%	±3%	±3%	±10%	±3%
波纹噪声	40mVp-p	40mVp-p	60mVp-p	80mVp-p	40mVp-p

尺寸

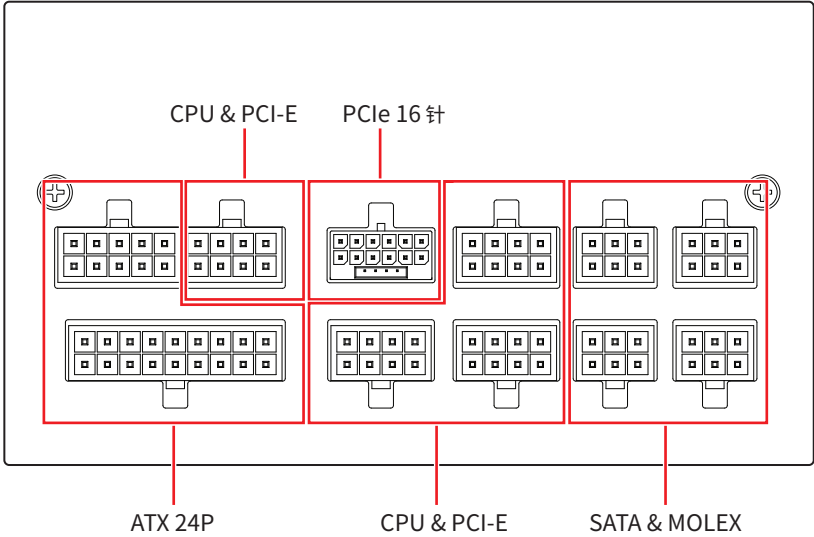


电源接口数量

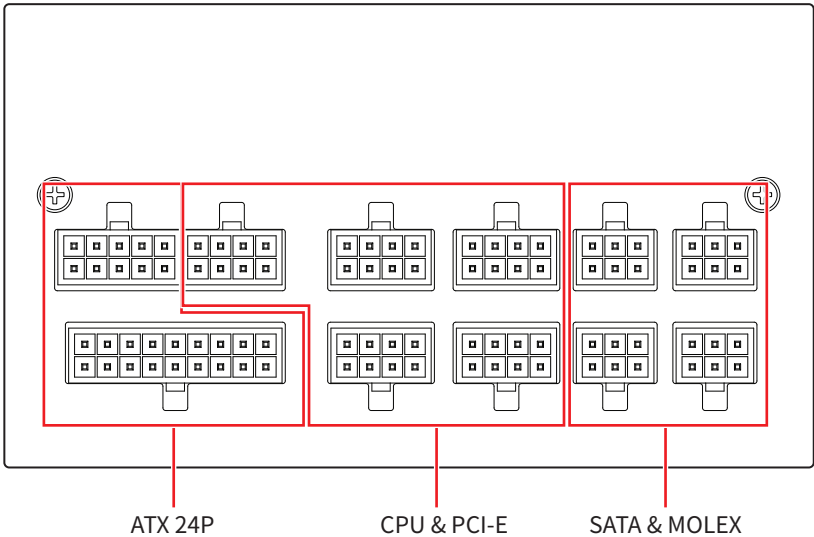
电源接口	A850GL	A750GL	A650GL
ATX12V (主板) 20+4 针	1	1	1
PCIe 16 针	1	1	0
EPS12V (CPU) 4+4 针	2	2	2
PCIe (VGA) 6+2 针	4	3	4
SATA 15 针	8	8	6
外围设备 (PATA) 4 针	4	4	3
FDD 4 针	1	1	1

可拆卸接口

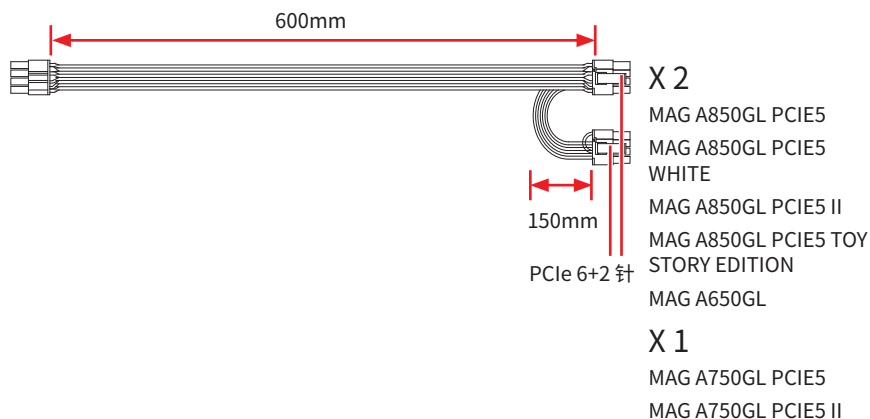
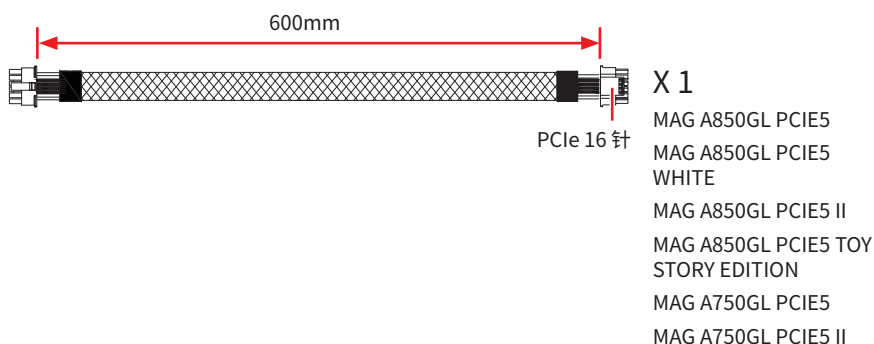
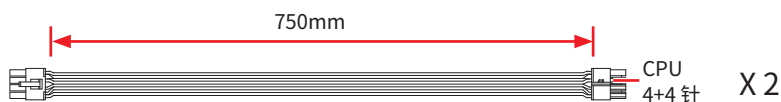
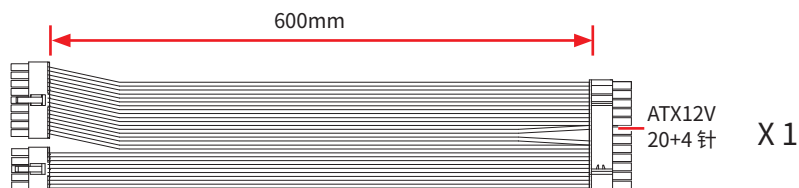
A850GL & A750GL

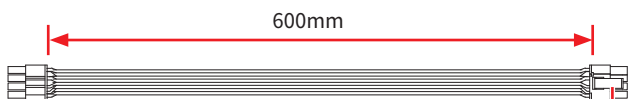


A650GL

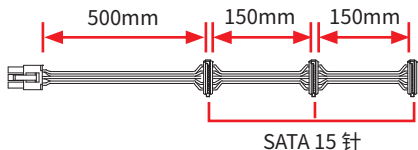


连接口和电缆的长度

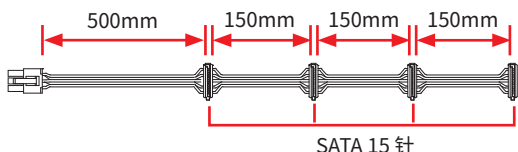




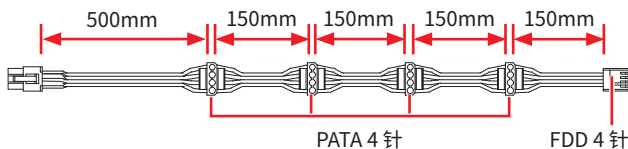
X 1
 MAG A750GL PCIE5
 PCIe 6+2 针 MAG A750GL PCIE5 II



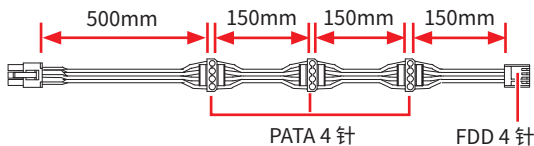
X 2
 MAG A650GL
 SATA 15 针



X 2
 MAG A850GL PCIE5
 MAG A850GL PCIE5 WHITE
 MAG A850GL PCIE5 II
 MAG A850GL PCIE5 TOY STORY EDITION
 MAG A750GL PCIE5
 MAG A750GL PCIE5 II



X 1
 MAG A850GL PCIE5
 MAG A850GL PCIE5 WHITE
 MAG A850GL PCIE5 II
 MAG A850GL PCIE5 TOY STORY EDITION
 MAG A750GL PCIE5
 MAG A750GL PCIE5 II



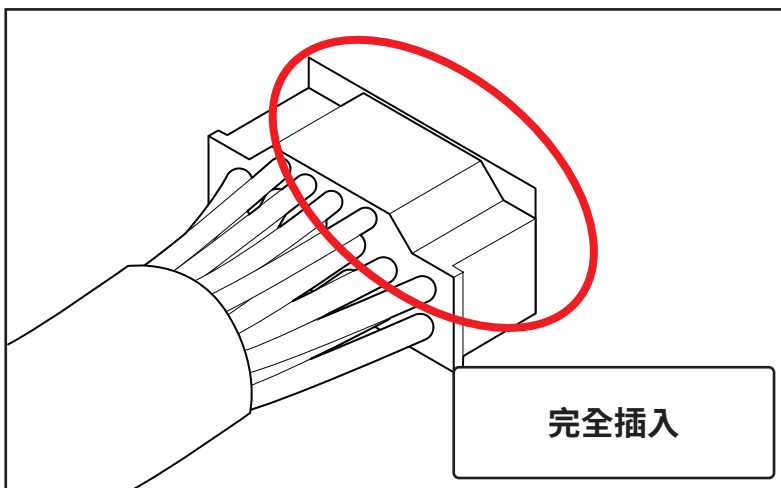
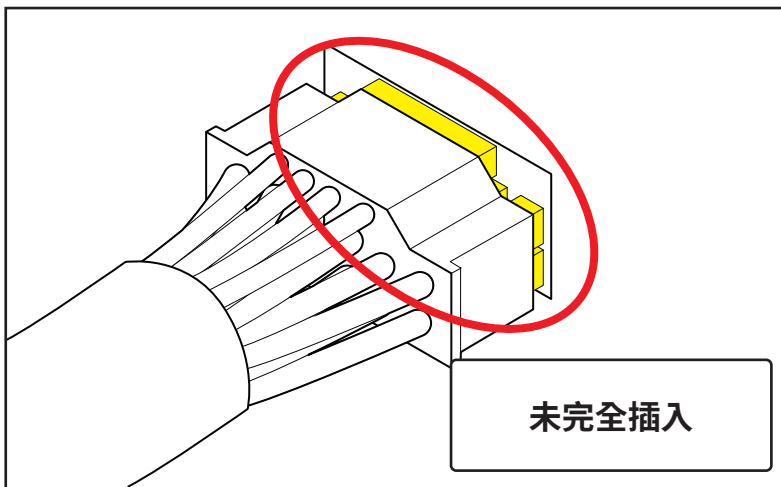
X 1
 MAG A650GL

PCIe 16 针电缆安装



警告

使用前请确认将电缆完全插入。



Contenuti

Specifiche	2
Dimensioni.....	3
Numero di connettori di alimentazione.....	4
Connettori rimovibili.....	5
Connettività e lunghezza dei cavi.....	6
Installazione del cavo PCIe a 16 pin.....	8

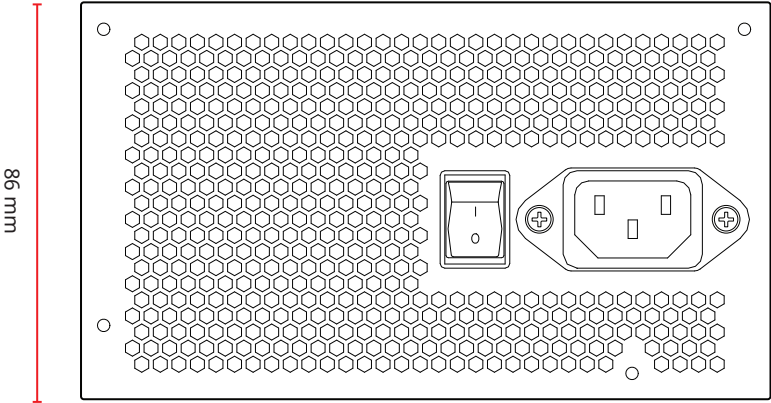
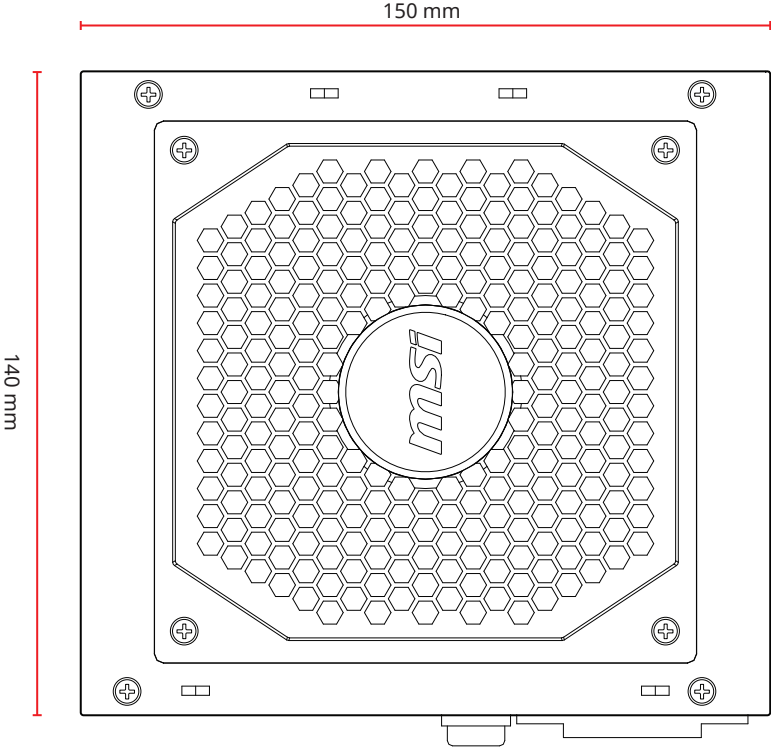
Specifiche

850 W					
Tensione	+5 V	+3,3 V	+12 V	-12 V	+5 Vsb
Carico max.	20,0 A	20,0 A	70,5 A	0,3 A	2,5 A
Potenza combinata	110 W		846 W	3,6 W	12,5 W
Potenza totale	850 W				
Regolazione	±3%	±3%	±3%	±10%	±3%
Ondulazione e rumore	40□Vp-p	40□Vp-p	60□Vp-p	80□Vp-p	40□Vp-p

750 W					
Tensione	+5 V	+3,3 V	+12 V	-12 V	+5 Vsb
Carico max.	20,0 A	20,0 A	62,0 A	0,3 A	2,5 A
Potenza combinata	110 W		744 W	3,6 W	12,5 W
Potenza totale	750 W				
Regolazione	±3%	±3%	±3%	±10%	±3%
Ondulazione e rumore	40□Vp-p	40□Vp-p	60□Vp-p	80□Vp-p	40□Vp-p

650 W					
Tensione	+5 V	+3,3 V	+12 V	-12 V	+5 Vsb
Carico max.	20,0 A	20,0 A	54,0 A	0,3 A	2,5 A
Potenza combinata	100 W		648 W	3,6 W	12,5 W
Potenza totale	650 W				
Regolazione	±3%	±3%	±3%	±10%	±3%
Ondulazione e rumore	40□Vp-p	40□Vp-p	60□Vp-p	80□Vp-p	40□Vp-p

Dimensioni

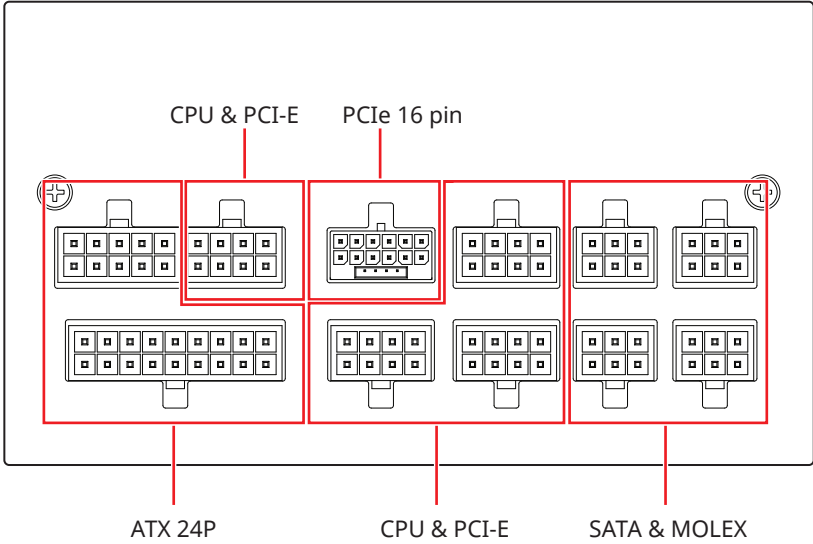


Numero di connettori di alimentazione

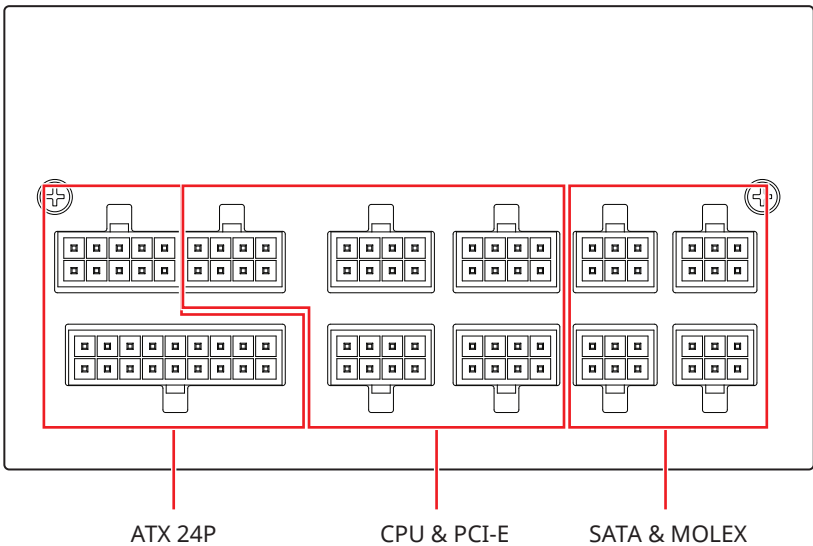
Connettori di alimentazione	A850GL	A750GL	A650GL
ATX12V (scheda madre) 20+4 pin	1	1	1
PCIe 16 pin	1	1	0
EPS12V (CPU) 4+4 pin	2	2	2
PCIe (VGA) 6+2 pin	4	3	4
SATA 15 pin	8	8	6
Periferica (PATA) 4 pin	4	4	3
FDD 4 pin	1	1	1

Connettori rimovibili

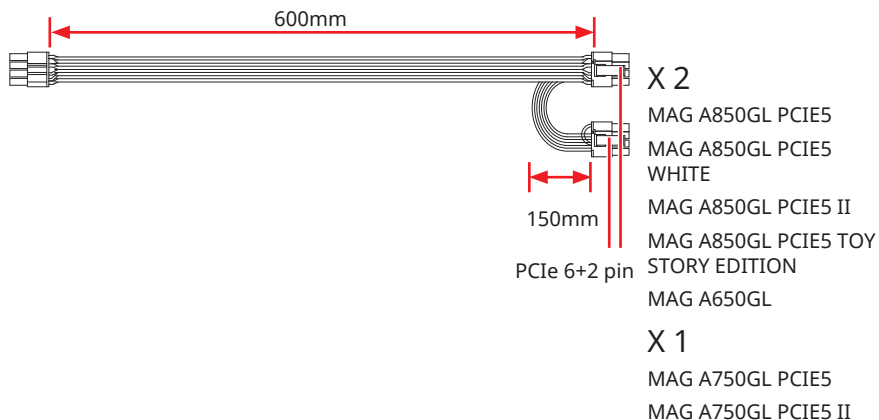
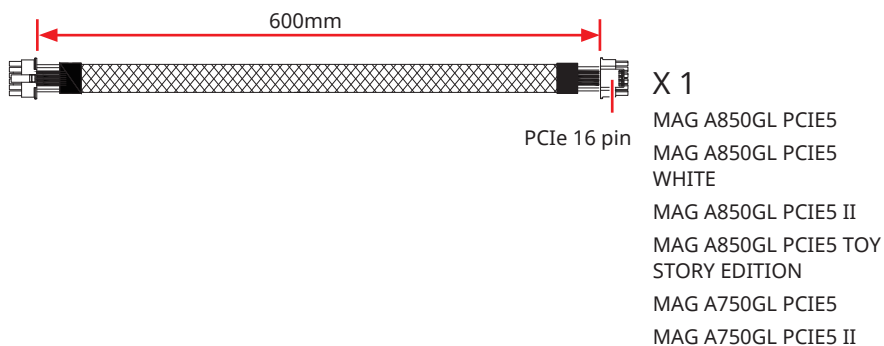
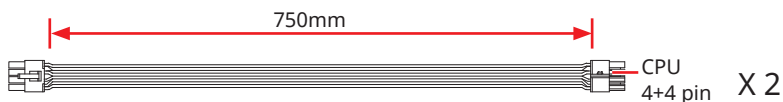
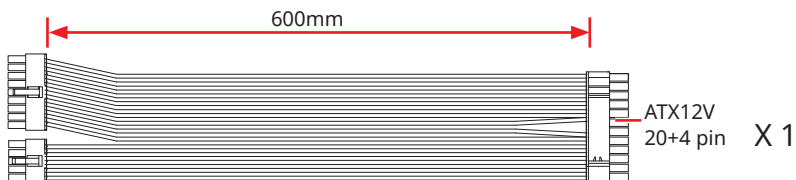
A850GL & A750GL

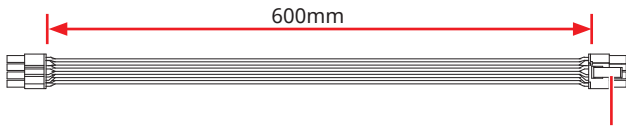


A650GL

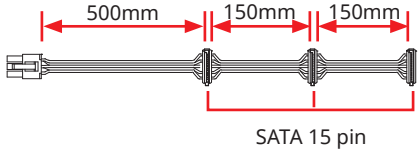


Connettività e lunghezza dei cavi

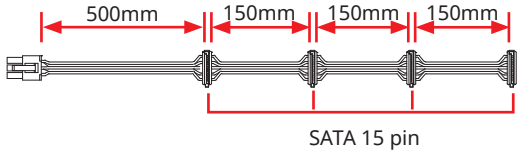




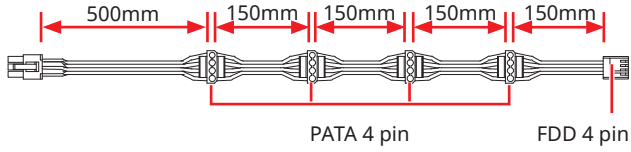
X 1
 MAG A750GL PCIE5
 MAG A750GL PCIE5 II



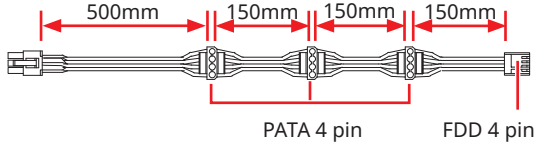
X 2
 MAG A650GL



X 2
 MAG A850GL PCIE5
 MAG A850GL PCIE5 WHITE
 MAG A850GL PCIE5 II
 MAG A850GL PCIE5 TOY STORY EDITION
 MAG A750GL PCIE5
 MAG A750GL PCIE5 II



X 1
 MAG A850GL PCIE5
 MAG A850GL PCIE5 WHITE
 MAG A850GL PCIE5 II
 MAG A850GL PCIE5 TOY STORY EDITION
 MAG A750GL PCIE5
 MAG A750GL PCIE5 II

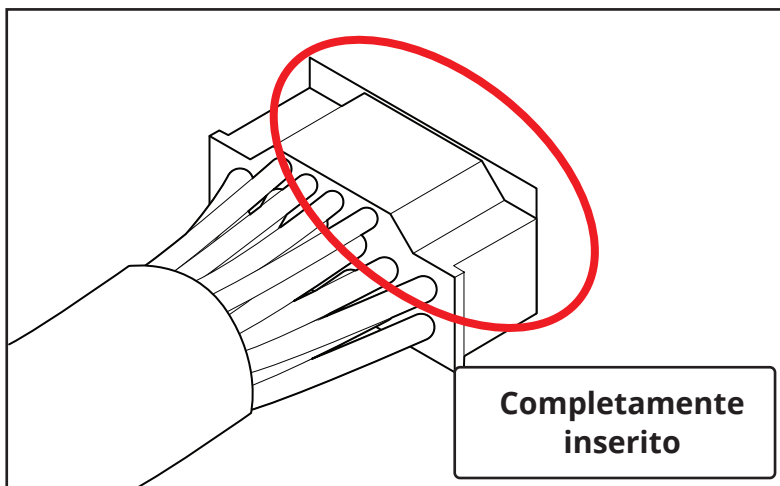
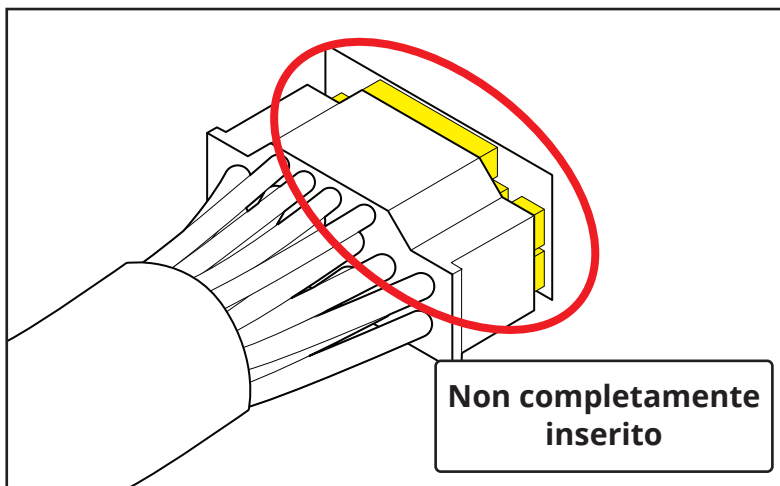


X 1
 MAG A650GL

Installazione del cavo PCIe a 16 pin

 **ATTENZIONE**

Inserire completamente il cavo prima dell'uso.



Spis treści

Dane techniczne	2
Wymiary	3
Liczba złączy zasilania	4
Odłączane złącza	5
Połączenia i długość kabli	6
Podłączanie 16-pinowego kabla PCIe	8

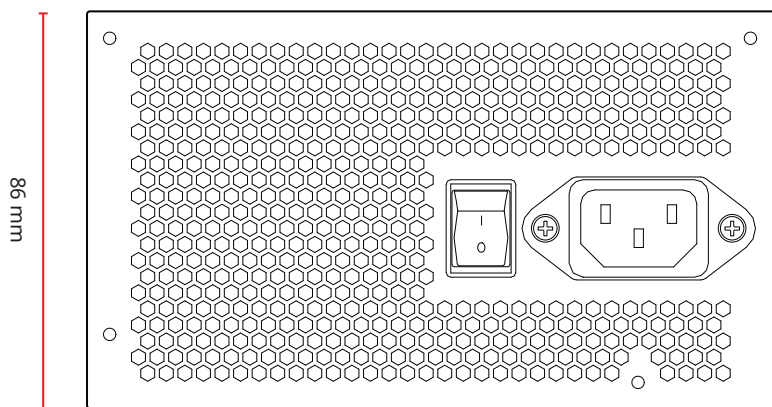
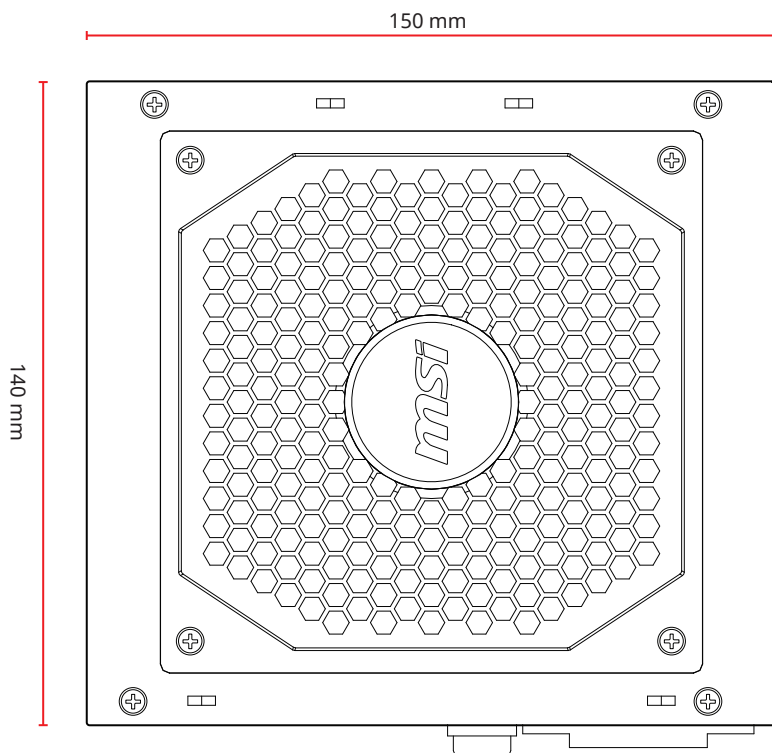
Dane techniczne

850 W					
Napięcie	+5 V	+3,3 V	+12 V	-12 V	+5 Vsb
Maks. obciążenie	20,0 A	20,0 A	70,5 A	0,3 A	2,5 A
Łączna moc	110 W		846 W	3,6 W	12,5 W
Całkowita moc	850 W				
Regulacja	±3%	±3%	±3%	±10%	±3%
Tętnienia i szumy	40□Vp-p	40□Vp-p	60□Vp-p	80□Vp-p	40□Vp-p

750 W					
Napięcie	+5 V	+3,3 V	+12 V	-12 V	+5 Vsb
Maks. obciążenie	20,0 A	20,0 A	62,0 A	0,3 A	2,5 A
Łączna moc	110 W		744 W	3,6 W	12,5 W
Całkowita moc	750 W				
Regulacja	±3%	±3%	±3%	±10%	±3%
Tętnienia i szumy	40□Vp-p	40□Vp-p	60□Vp-p	80□Vp-p	40□Vp-p

650 W					
Napięcie	+5 V	+3,3 V	+12 V	-12 V	+5 Vsb
Maks. obciążenie	20,0 A	20,0 A	54,0 A	0,3 A	2,5 A
Łączna moc	100 W		648 W	3,6 W	12,5 W
Całkowita moc	650 W				
Regulacja	±3%	±3%	±3%	±10%	±3%
Tętnienia i szumy	40□Vp-p	40□Vp-p	60□Vp-p	80□Vp-p	40□Vp-p

Wymiary

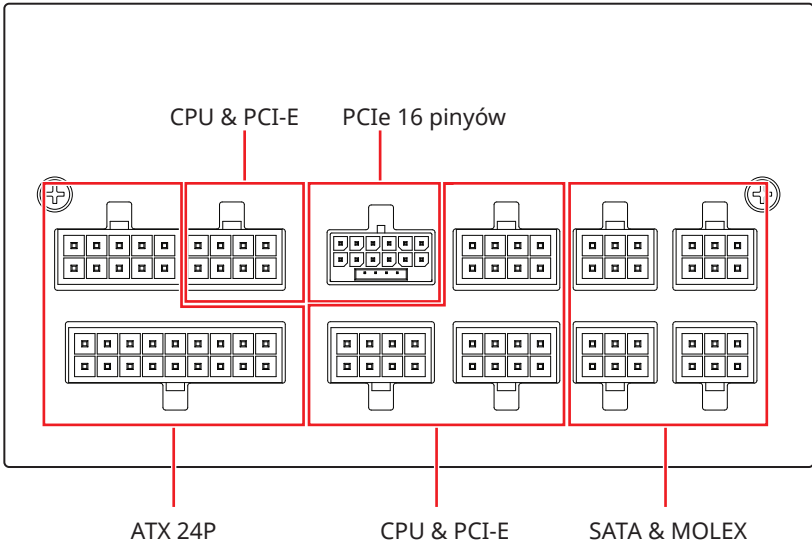


Liczba złączy zasilania

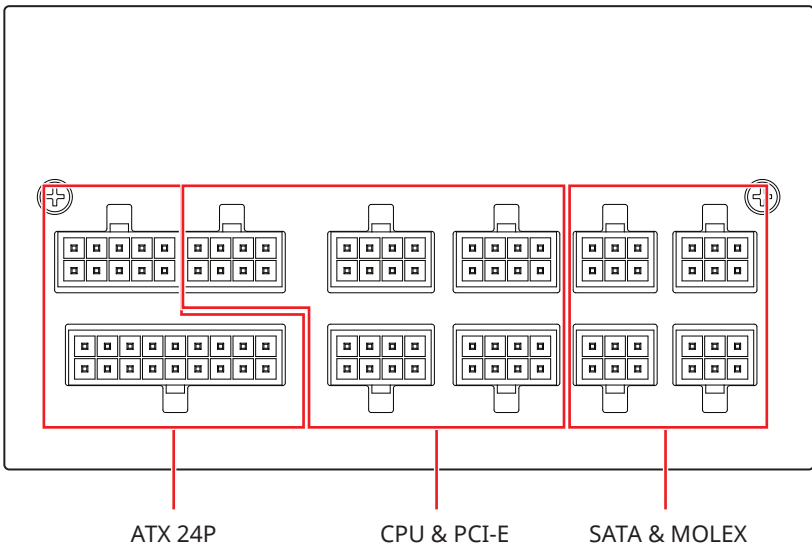
Złącza zasilania	A850GL	A750GL	A650GL
ATX12V (płyta główna) 20+4 piny	1	1	1
PCIe 16 pinów	1	1	0
EPS12V (procesor) 4+4 piny	2	2	2
PCIe (VGA) 6+2 piny	4	3	4
SATA 15 pinów	8	8	6
Peryferyjne (PATA) 4 piny	4	4	3
FDD 4 piny	1	1	1

Odłączane złącza

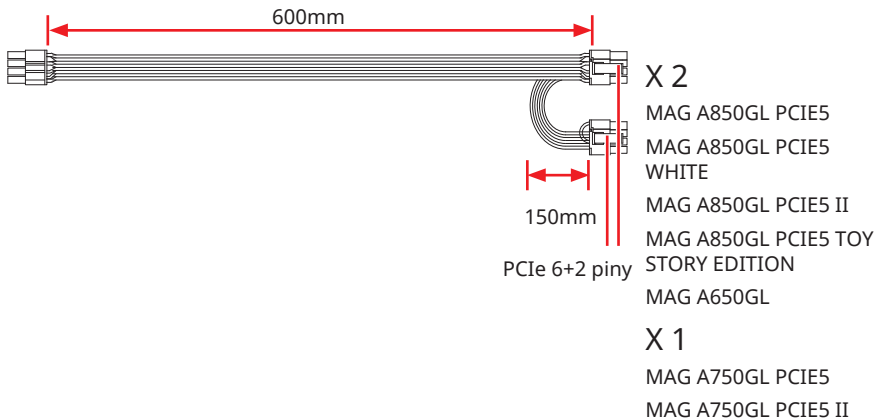
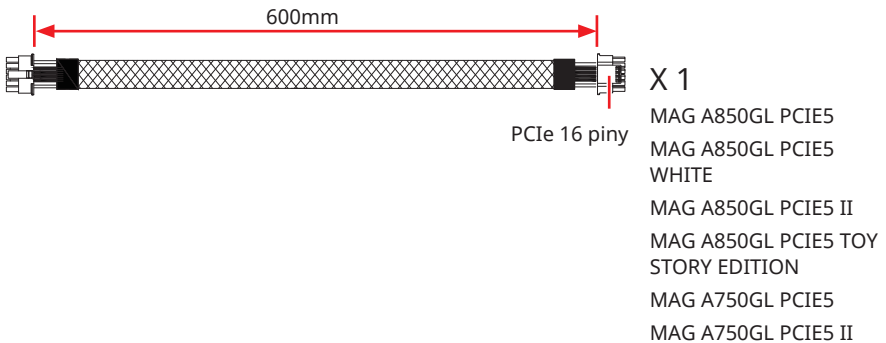
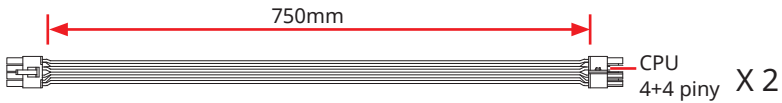
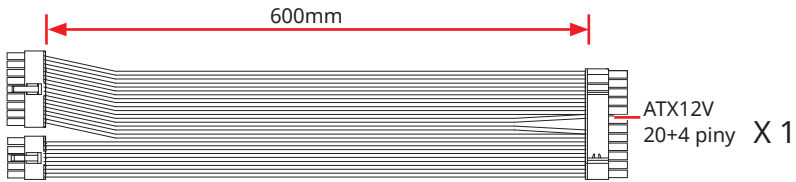
A850GL & A750GL

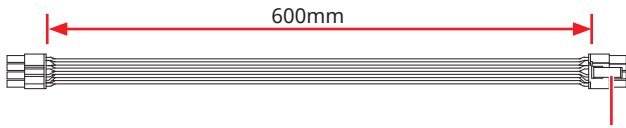


A650GL

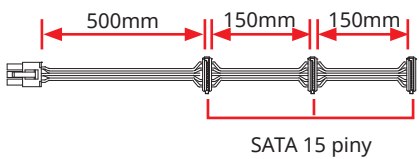


Połączenia i długość kabli



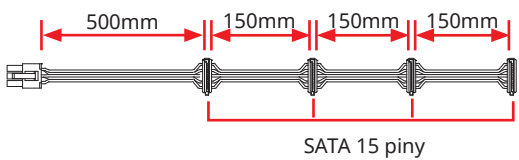


X 1
 MAG A750GL PCIE5
 MAG A750GL PCIE5 II



X 2
 MAG A650GL

SATA 15 piny



X 2
 MAG A850GL PCIE5
 MAG A850GL PCIE5 WHITE
 MAG A850GL PCIE5 II
 MAG A850GL PCIE5 TOY STORY EDITION
 MAG A750GL PCIE5
 MAG A750GL PCIE5 II

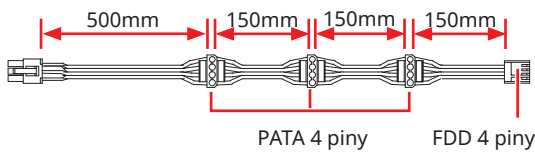
SATA 15 piny



X 1
 MAG A850GL PCIE5
 MAG A850GL PCIE5 WHITE
 MAG A850GL PCIE5 II
 MAG A850GL PCIE5 TOY STORY EDITION
 MAG A750GL PCIE5
 MAG A750GL PCIE5 II

PATA 4 piny

FDD 4 piny



X 1
 MAG A650GL

PATA 4 piny

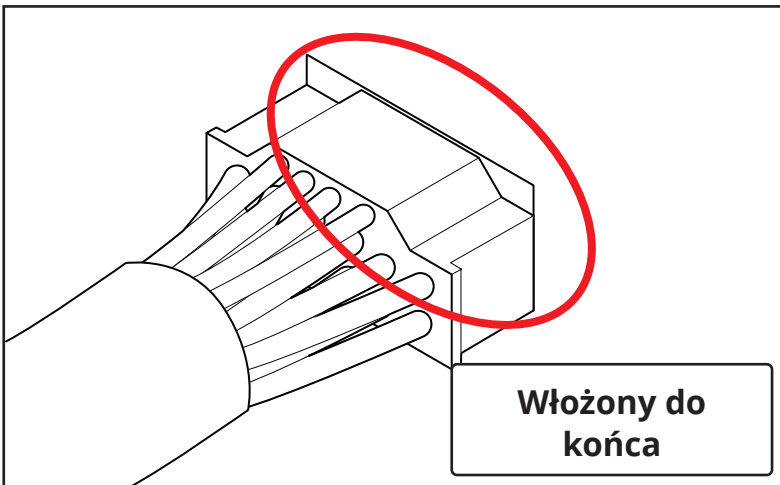
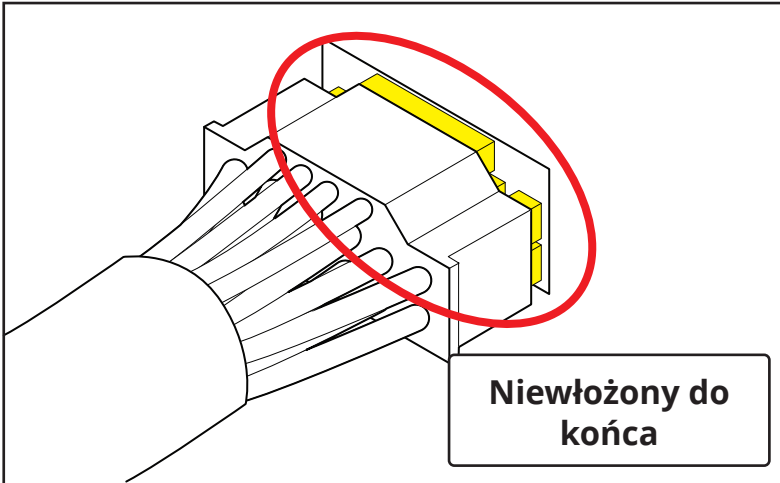
FDD 4 piny

Podłączanie 16-pinowego kabla PCIe



PRZESTROGA

Kabel należy włożyć do końca gniazda.



Índice

Especificações	2
Dimensões	3
Número de conectores de alimentação	4
Conectores amovíveis	5
Conectividade e comprimentos dos cabos	6
Instalação do cabo PCIe de 16 pinos.....	8

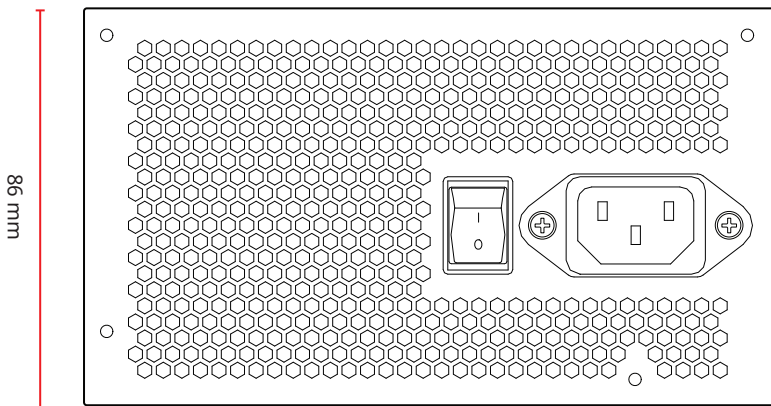
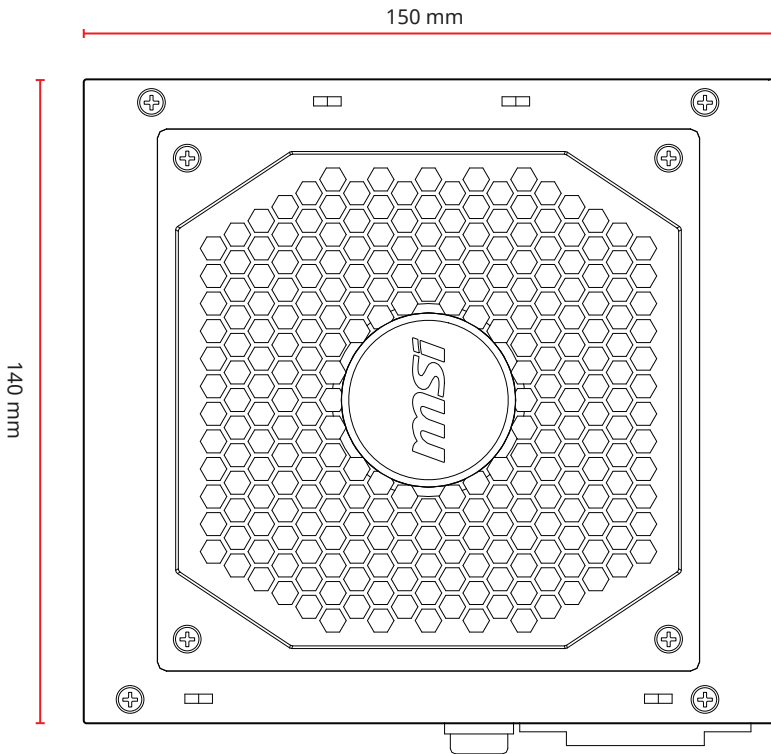
Especificações

850W					
Tensão	+5V	+3,3V	+12V	-12V	+5Vsb
Carga máx.	20,0A	20,0A	70,5A	0,3A	2,5A
Potência combinada	110W		846W	3,6W	12,5W
Potência total	850W				
Regulação	±3%	±3%	±3%	±10%	±3%
Ruído e ondulação	40□Vp-p	40□Vp-p	60□Vp-p	80□Vp-p	40□Vp-p

750W					
Tensão	+5V	+3,3V	+12V	-12V	+5Vsb
Carga máx.	20,0A	20,0A	62,0A	0,3A	2,5A
Potência combinada	110W		744W	3,6W	12,5W
Potência total	750W				
Regulação	±3%	±3%	±3%	±10%	±3%
Ruído e ondulação	40□Vp-p	40□Vp-p	60□Vp-p	80□Vp-p	40□Vp-p

650W					
Tensão	+5V	+3,3V	+12V	-12V	+5Vsb
Carga máx.	20,0A	20,0A	54,0A	0,3A	2,5A
Potência combinada	100W		648W	3,6W	12,5W
Potência total	650W				
Regulação	±3%	±3%	±3%	±10%	±3%
Ruído e ondulação	40□Vp-p	40□Vp-p	60□Vp-p	80□Vp-p	40□Vp-p

Dimensões

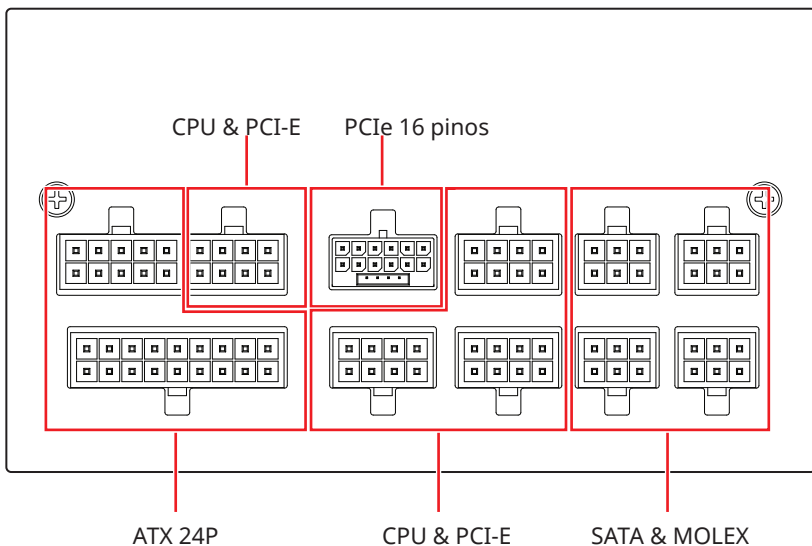


Número de conectores de alimentação

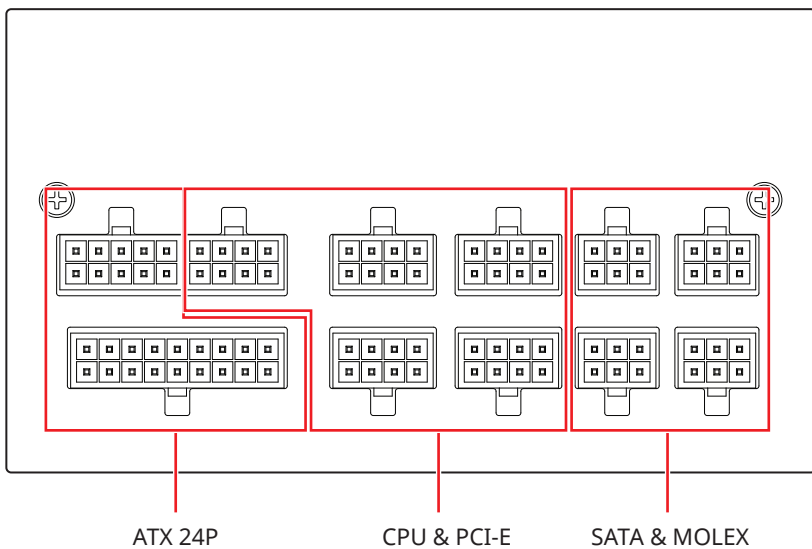
Conectores de alimentação	A850GL	A750GL	A650GL
ATX12V (placa principal) 20+4 pinos	1	1	1
PCIe 16 pinos	1	1	0
EPS12V (CPU) 4+4 pinos	2	2	2
PCIe (VGA) 6+2 pinos	4	3	4
SATA 15 pinos	8	8	6
Periférico (PATA) 4 pinos	4	4	3
FDD 4 pinos	1	1	1

Conectores amovíveis

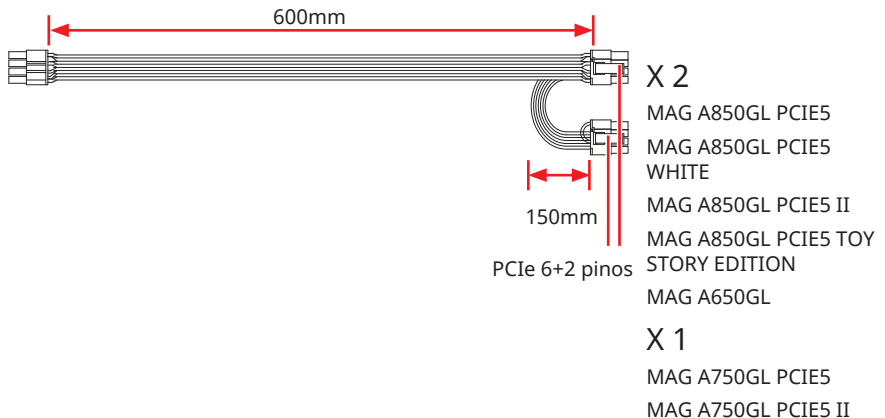
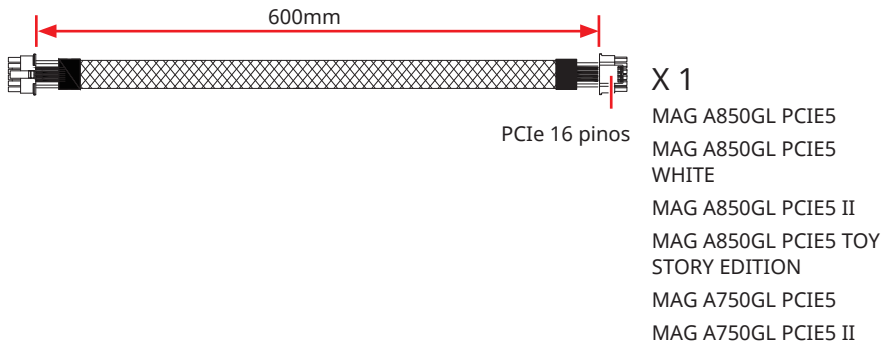
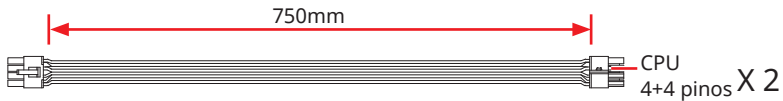
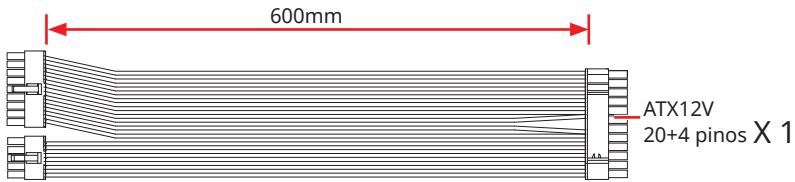
A850GL & A750GL

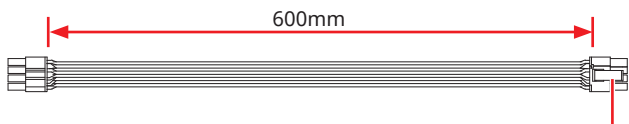


A650GL

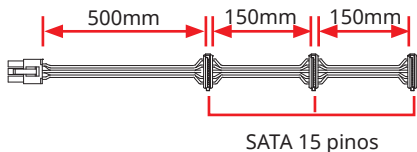


Conectividade e comprimentos dos cabos

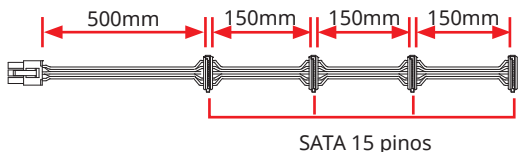




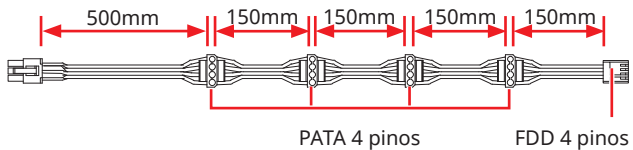
X 1
 MAG A750GL PCIE5
 MAG A750GL PCIE5 II
 PCIe 6+2 pinos



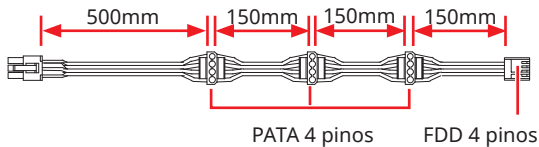
X 2
 MAG A650GL
 SATA 15 pinos



X 2
 MAG A850GL PCIE5
 MAG A850GL PCIE5 WHITE
 MAG A850GL PCIE5 II
 MAG A850GL PCIE5 TOY STORY EDITION
 MAG A750GL PCIE5
 MAG A750GL PCIE5 II
 SATA 15 pinos



X 1
 MAG A850GL PCIE5
 MAG A850GL PCIE5 WHITE
 MAG A850GL PCIE5 II
 MAG A850GL PCIE5 TOY STORY EDITION
 MAG A750GL PCIE5
 MAG A750GL PCIE5 II
 PATA 4 pinos
 FDD 4 pinos



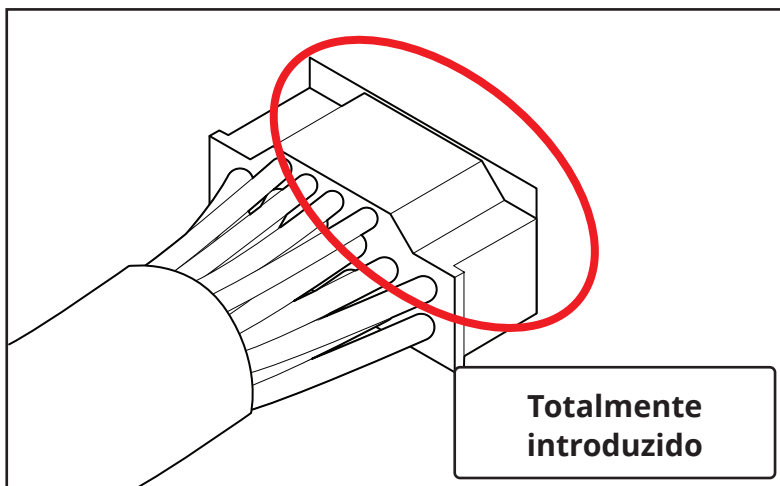
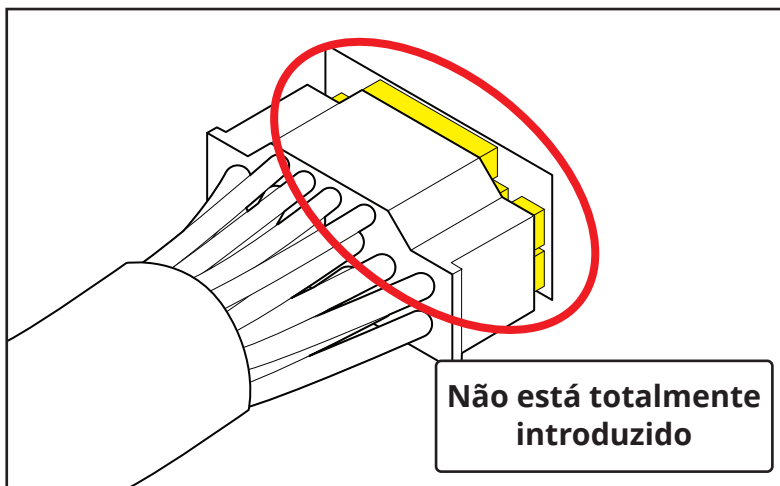
X 1
 MAG A650GL
 PATA 4 pinos
 FDD 4 pinos

Instalação do cabo PCIe de 16 pinos



ATENÇÃO

Introduza o cabo totalmente antes de utilizar.



Contenido

Especificaciones	2
Dimensiones.....	3
Número de conectores de alimentación	4
Conectores desmontables.....	5
Conectividad y longitud de los cables	6
Instalación del cable PCIe de 16 contactos	8

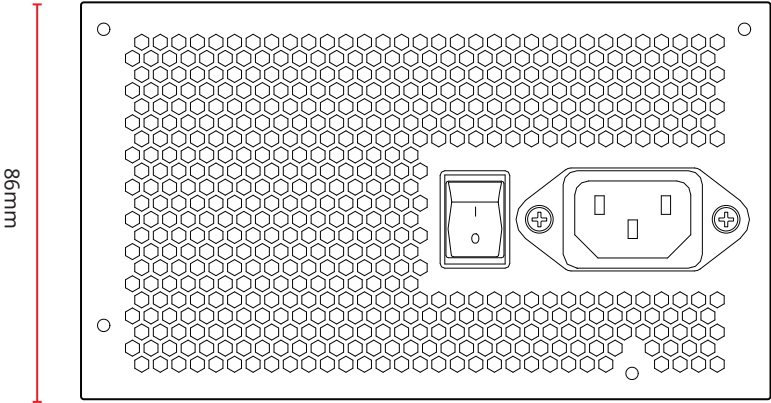
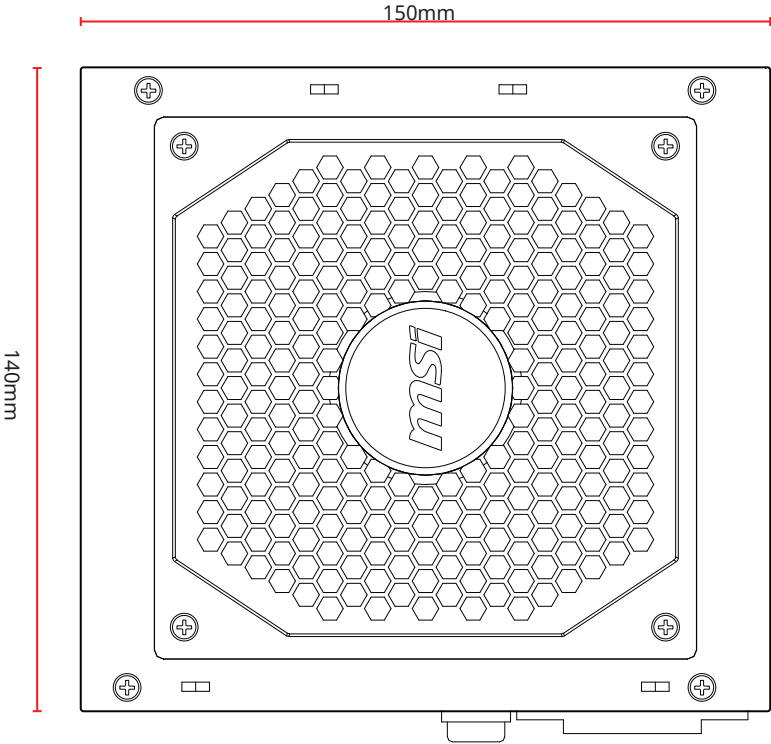
Especificaciones

850 W					
Tensión	+5 V	+3,3 V	+12 V	-12 V	+5 Vsb
Carga máxima	20,0 A	20,0 A	70,5 A	0,3 A	2,5 A
Potencia combinada	110 W		846 W	3,6 W	12,5 W
Potencia total	850 W				
Regulación	±3%	±3%	±3%	±10%	±3%
Pulso y ruido	40 mVp-p	40 mVp-p	60 mVp-p	80 mVp-p	40 mVp-p

750 W					
Tensión	+5 V	+3,3 V	+12 V	-12 V	+5 Vsb
Carga máxima	20,0 A	20,0 A	62,0 A	0,3 A	2,5 A
Potencia combinada	110 W		744 W	3,6 W	12,5 W
Potencia total	750 W				
Regulación	±3%	±3%	±3%	±10%	±3%
Pulso y ruido	40 mVp-p	40 mVp-p	60 mVp-p	80 mVp-p	40 mVp-p

650 W					
Tensión	+5 V	+3,3 V	+12 V	-12 V	+5 Vsb
Carga máxima	20,0 A	20,0 A	54,0 A	0,3 A	2,5 A
Potencia combinada	100 W		648 W	3,6 W	12,5 W
Potencia total	650 W				
Regulación	±3%	±3%	±3%	±10%	±3%
Pulso y ruido	40 mVp-p	40 mVp-p	60 mVp-p	80 mVp-p	40 mVp-p

Dimensiones

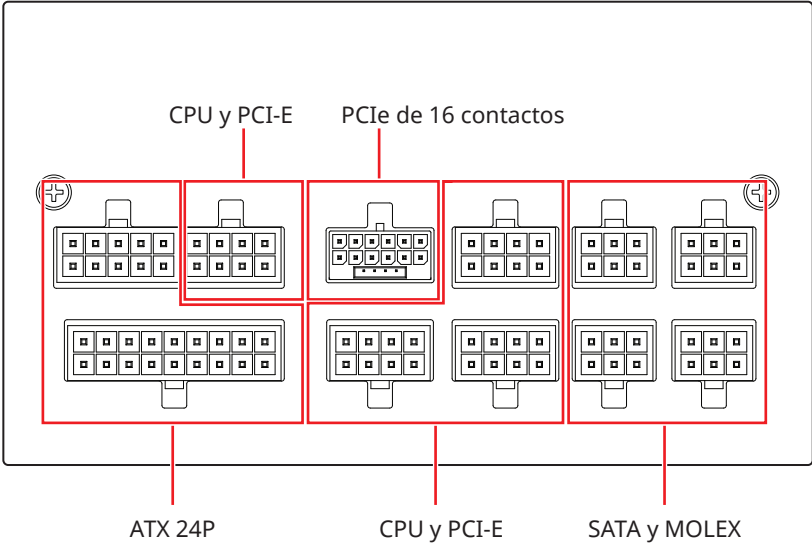


Número de conectores de alimentación

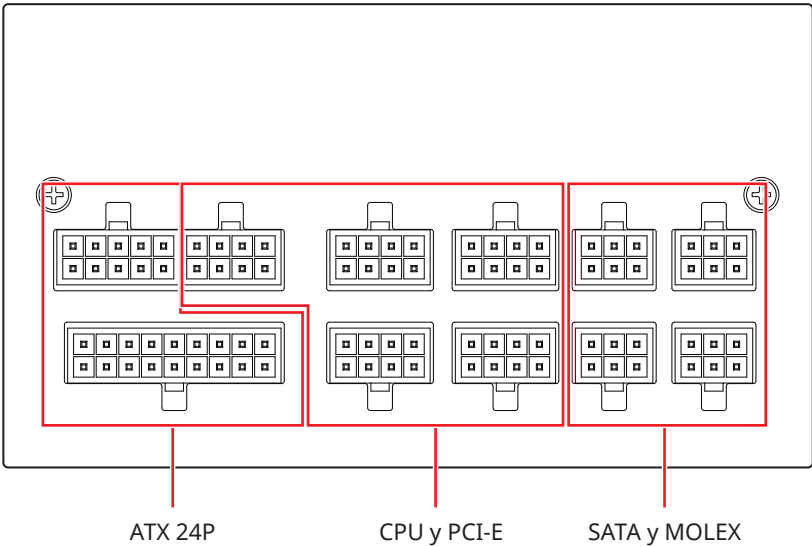
Conectores de alimentación	A850GL	A750GL	A650GL
ATX12V (placa base) de 20+4 contactos	1	1	1
PCIe de 16 contactos	1	1	0
EPS12V (CPU) de 4+4 contactos	2	2	2
PCIe (VGA) de 6+2 contactos	4	3	4
SATA de 15 contactos	8	8	6
Periférico (PATA) de 4 contactos	4	4	3
FDD de 4 contactos	1	1	1

Conectores desmontables

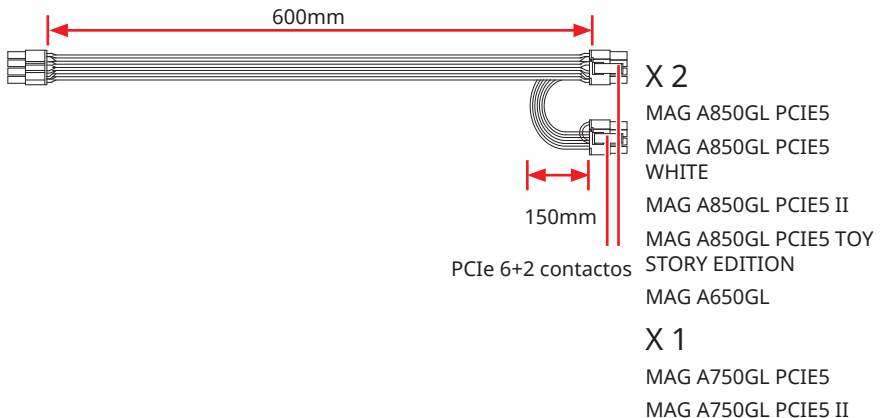
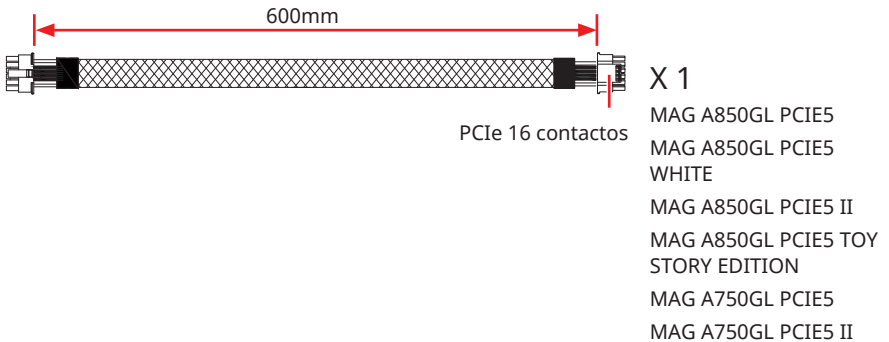
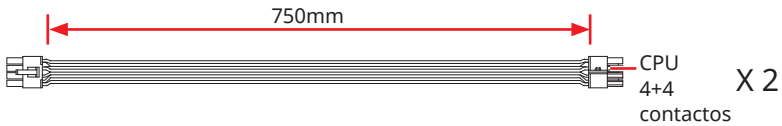
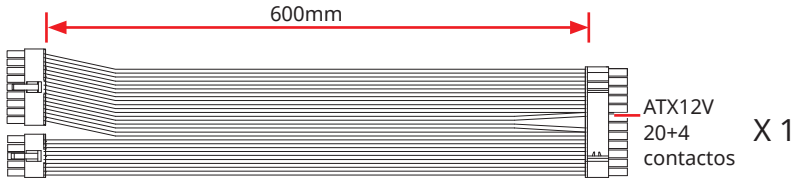
A850GL y A750GL

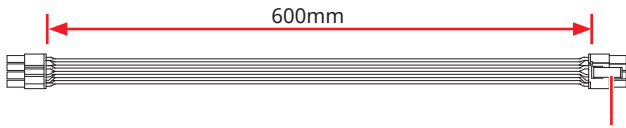


A650GL

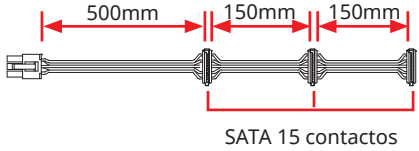


Conectividad y longitud de los cables



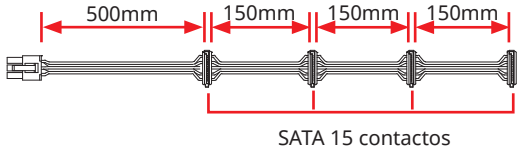


X 1
 MAG A750GL PCIE5
 PCIe 6+2 contactos
 MAG A750GL PCIE5 II



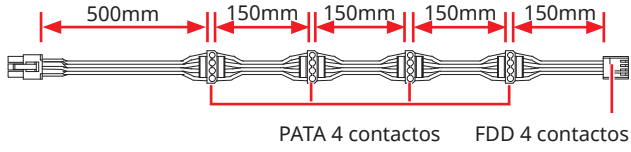
X 2
 MAG A650GL

SATA 15 contactos



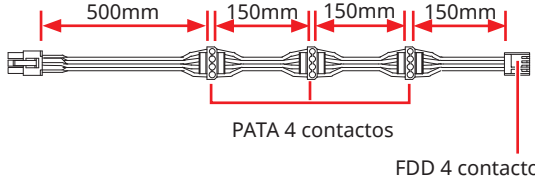
X 2
 MAG A850GL PCIE5
 MAG A850GL PCIE5 WHITE
 MAG A850GL PCIE5 II
 MAG A850GL PCIE5 TOY STORY EDITION
 MAG A750GL PCIE5
 MAG A750GL PCIE5 II

SATA 15 contactos



X 1
 MAG A850GL PCIE5
 MAG A850GL PCIE5 WHITE
 MAG A850GL PCIE5 II
 MAG A850GL PCIE5 TOY STORY EDITION
 MAG A750GL PCIE5
 MAG A750GL PCIE5 II

PATA 4 contactos FDD 4 contactos



X 1
 MAG A650GL

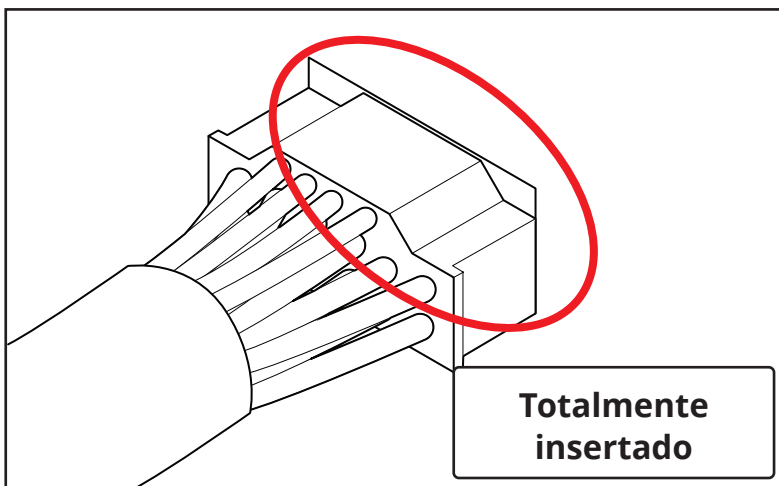
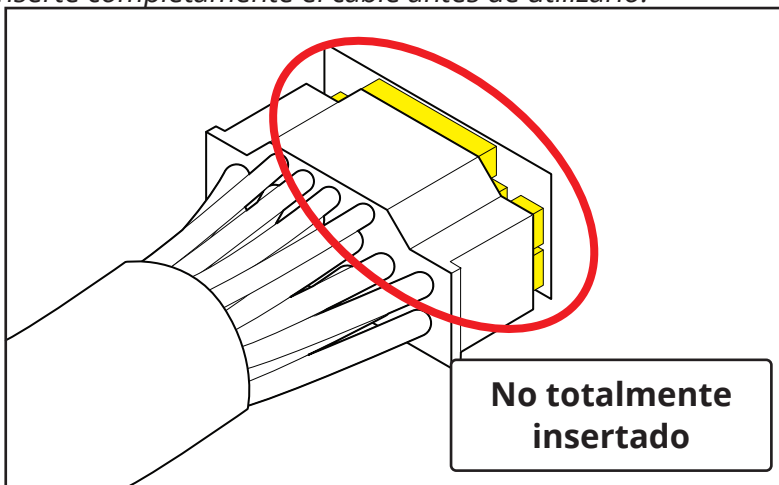
PATA 4 contactos

FDD 4 contactos

Instalación del cable PCIe de 16 contactos



Inserte completamente el cable antes de utilizarlo.



İçindekiler

Teknik Özellikler	2
Boyutlar	3
Güç Konektörü Sayısı	4
Ayrılabilir Konektörler	5
Bağlantı ve Kablo Uzunlukları	6
PCIe 16 Pin Kablo Kurulumu	8

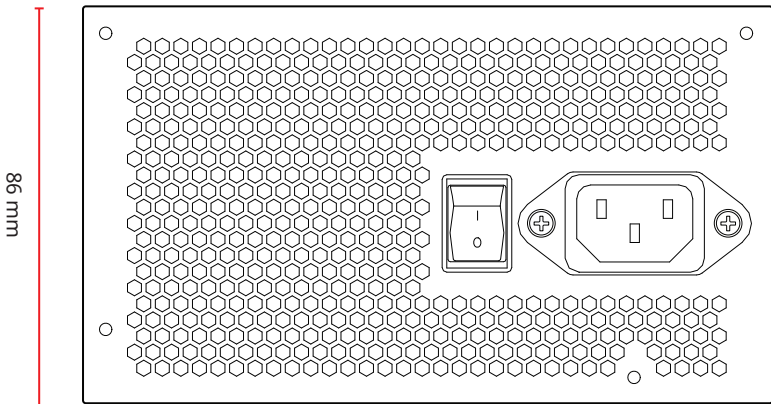
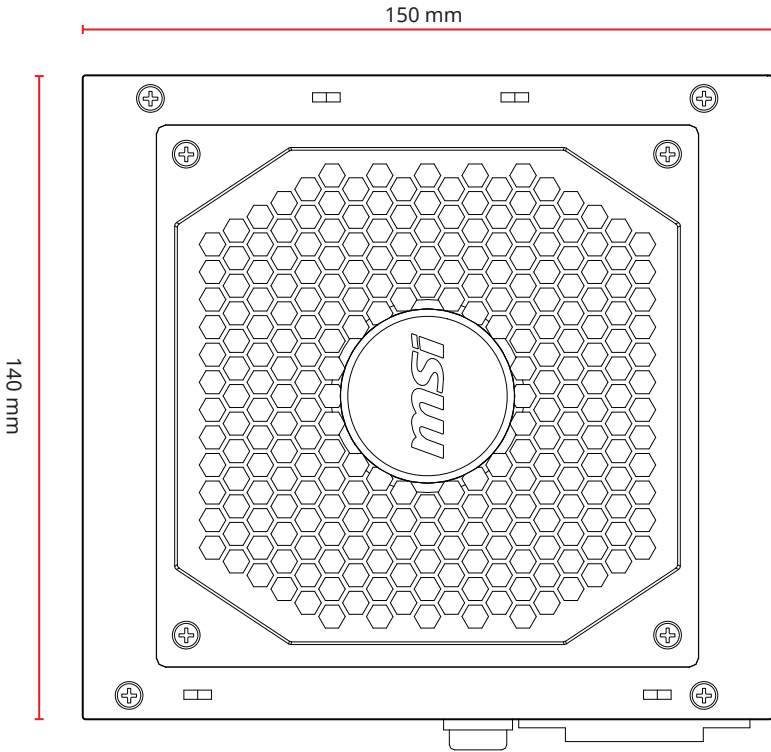
Teknik Özellikler

850W					
Voltaj	+5V	+3,3V	+12V	-12V	+5Vsb
Maks. yük	20,0A	20,0A	70,5A	0,3A	2,5A
Birleşik güç	110W		846W	3,6W	12,5W
Toplam Güç	850W				
Regülasyon	±%3	±%3	±%3	±%10	±%3
Dalgalanma ve Gürültü	40□Vp-p	40□Vp-p	60□Vp-p	80□Vp-p	40□Vp-p

750W					
Voltaj	+5V	+3,3V	+12V	-12V	+5Vsb
Maks. yük	20,0A	20,0A	62,0A	0,3A	2,5A
Birleşik güç	110W		744W	3,6W	12,5W
Toplam Güç	750W				
Regülasyon	±%3	±%3	±%3	±%10	±%3
Dalgalanma ve Gürültü	40□Vp-p	40□Vp-p	60□Vp-p	80□Vp-p	40□Vp-p

650W					
Voltaj	+5V	+3,3V	+12V	-12V	+5Vsb
Maks. yük	20,0A	20,0A	54,0A	0,3A	2,5A
Birleşik güç	100W		648W	3,6W	12,5W
Toplam Güç	650W				
Regülasyon	±%3	±%3	±%3	±%10	±%3
Dalgalanma ve Gürültü	40□Vp-p	40□Vp-p	60□Vp-p	80□Vp-p	40□Vp-p

Boyutlar

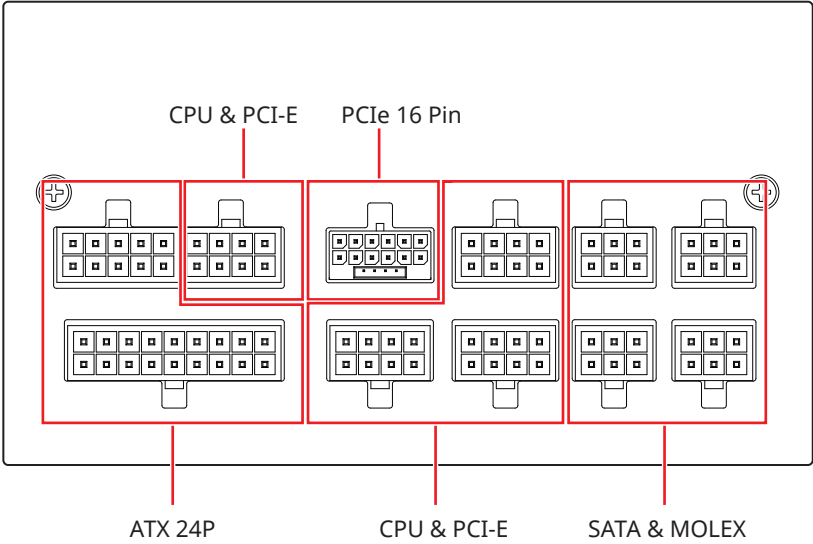


Güç Konektörü Sayısı

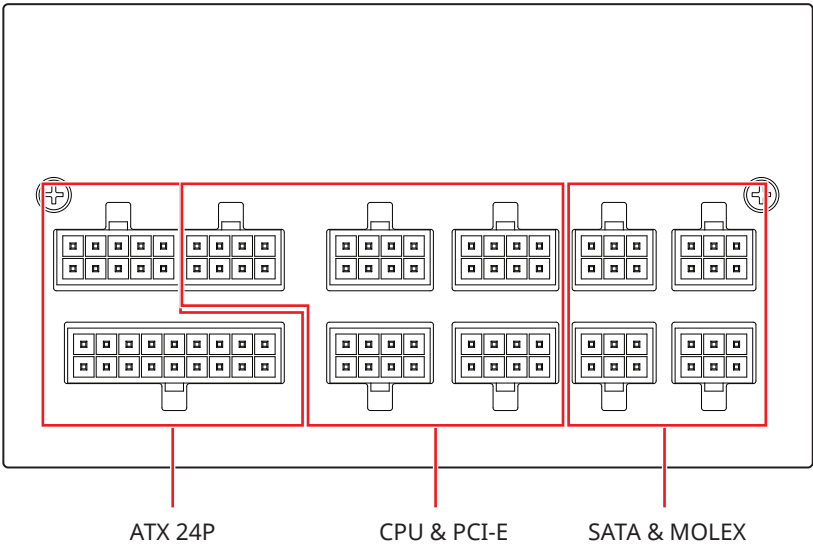
Güç Konektörleri	A850GL	A750GL	A650GL
ATX12V (Anakart) 20+4 pin	1	1	1
PCIe 16 pin	1	1	0
EPS12V (CPU) 4+4 pin	2	2	2
PCIe (VGA) 6+2 pin	4	3	4
SATA 15 pin	8	8	6
Çevresel (PATA) 4 pin	4	4	3
FDD 4 pin	1	1	1

Ayrılabilir Konektörler

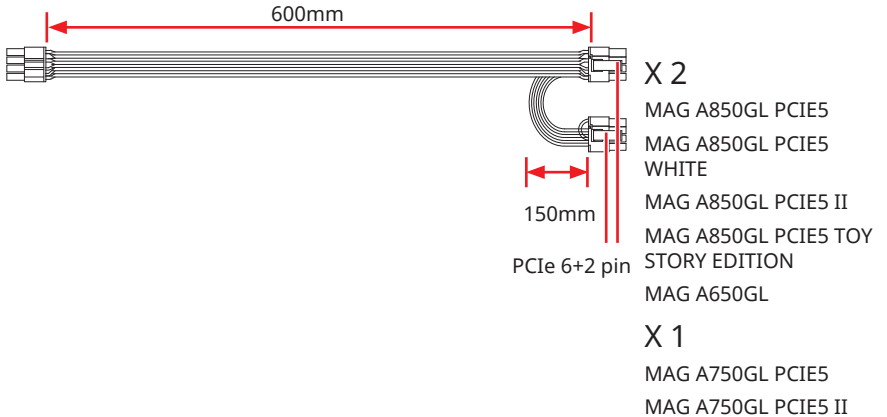
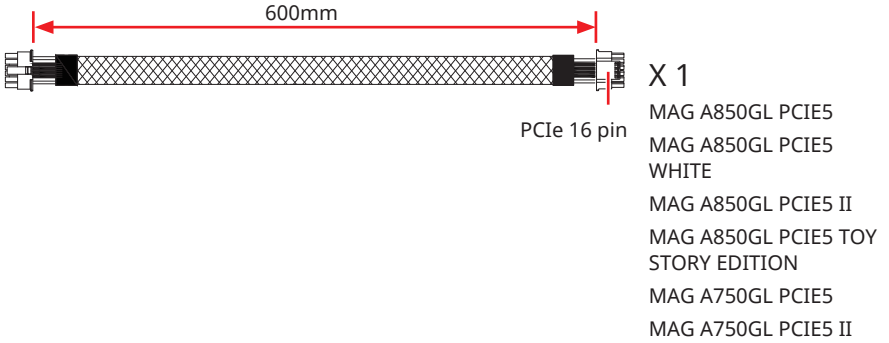
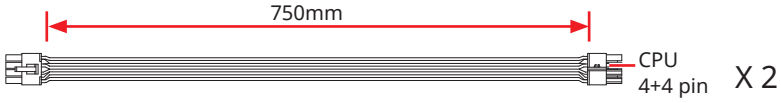
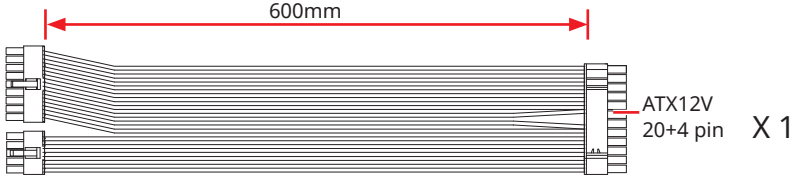
A850GL & A750GL

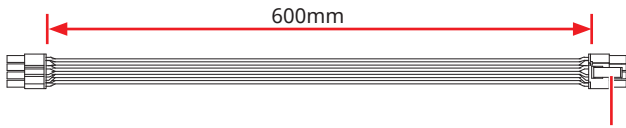


A650GL

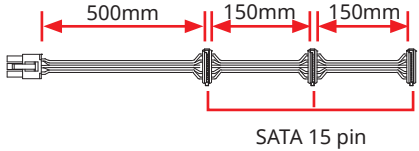


Bağlantı ve Kablo Uzunlukları

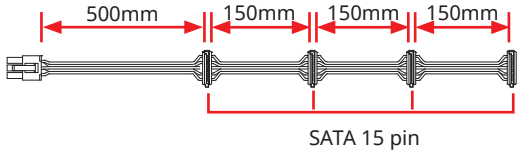




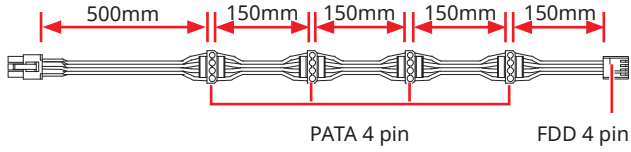
X 1
 MAG A750GL PCIE5
 MAG A750GL PCIE5 II



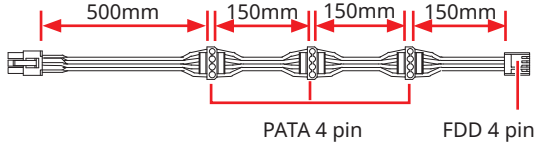
X 2
 MAG A650GL



X 2
 MAG A850GL PCIE5
 MAG A850GL PCIE5 WHITE
 MAG A850GL PCIE5 II
 MAG A850GL PCIE5 TOY STORY EDITION
 MAG A750GL PCIE5
 MAG A750GL PCIE5 II



X 1
 MAG A850GL PCIE5
 MAG A850GL PCIE5 WHITE
 MAG A850GL PCIE5 II
 MAG A850GL PCIE5 TOY STORY EDITION
 MAG A750GL PCIE5
 MAG A750GL PCIE5 II



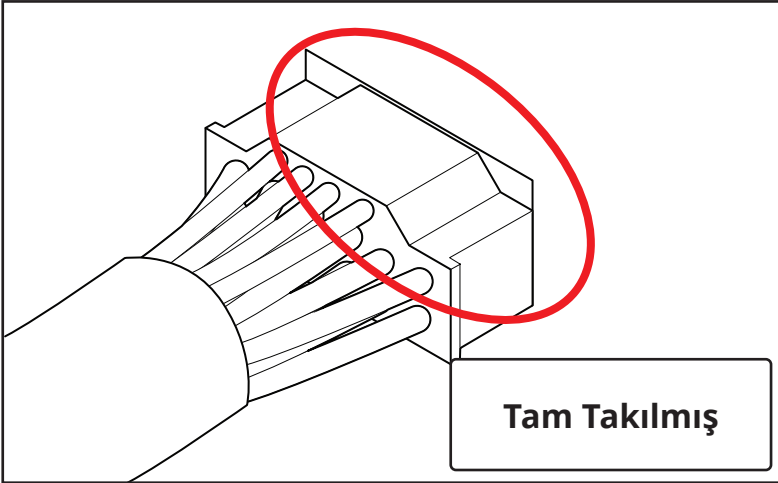
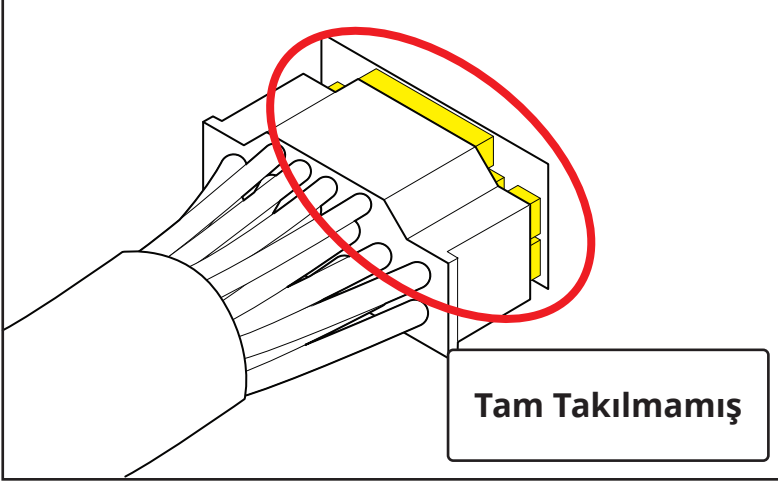
X 1
 MAG A650GL

PCIe 16 Pin Kablo Kurulumu



DİKKAT

Kullanmadan önce kabloyu lütfen sonuna kadar takın.



Obsah

Technické údaje	2
Rozměry	3
Počet napájecích konektorů.....	4
Odnímatelné konektory.....	5
Možnosti připojení a délka kabelů.....	6
Instalace 16 kolíkového kabelu PCIe	8

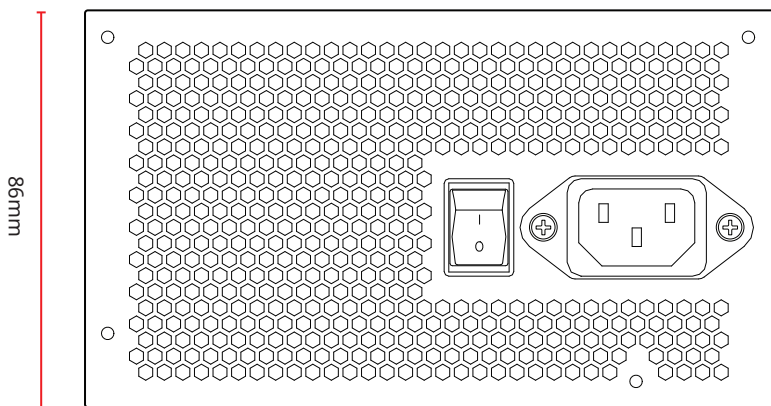
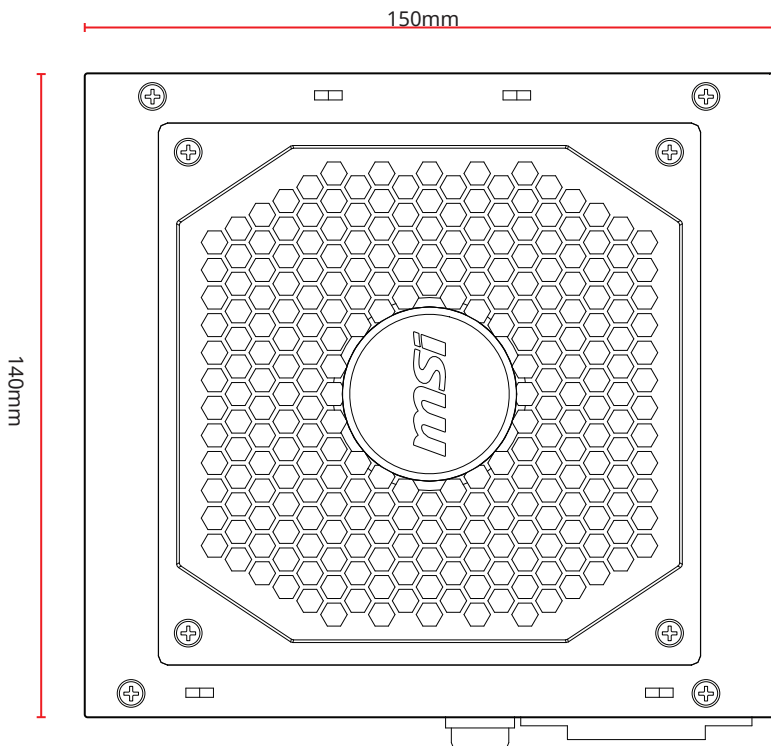
Technické údaje

850 W					
Napětí	+5 V	+3,3 V	+12 V	-12 V	+5Vsb
Maximální zatížení	20,0 A	20,0 A	70,5 A	0,3 A	2,5 A
Kombinovaný výkon	110 W		846 W	3,6 W	12,5 W
Celkový výkon	850 W				
Regulace	±3%	±3%	±3%	±10%	±3%
Zvlnění a šum	40 mVp-p	40 mVp-p	60 mVp-p	80 mVp-p	40 mVp-p

750 W					
Napětí	+5 V	+3,3 V	+12 V	-12 V	+5Vsb
Maximální zatížení	20,0 A	20,0 A	62,0 A	0,3 A	2,5 A
Kombinovaný výkon	110 W		744 W	3,6 W	12,5 W
Celkový výkon	750 W				
Regulace	±3%	±3%	±3%	±10%	±3%
Zvlnění a šum	40 mVp-p	40 mVp-p	60 mVp-p	80 mVp-p	40 mVp-p

650 W					
Napětí	+5 V	+3,3 V	+12 V	-12 V	+5Vsb
Maximální zatížení	20,0 A	20,0 A	54,0 A	0,3 A	2,5 A
Kombinovaný výkon	100 W		648 W	3,6 W	12,5 W
Celkový výkon	650 W				
Regulace	±3%	±3%	±3%	±10%	±3%
Zvlnění a šum	40 mVp-p	40 mVp-p	60 mVp-p	80 mVp-p	40 mVp-p

Rozměry

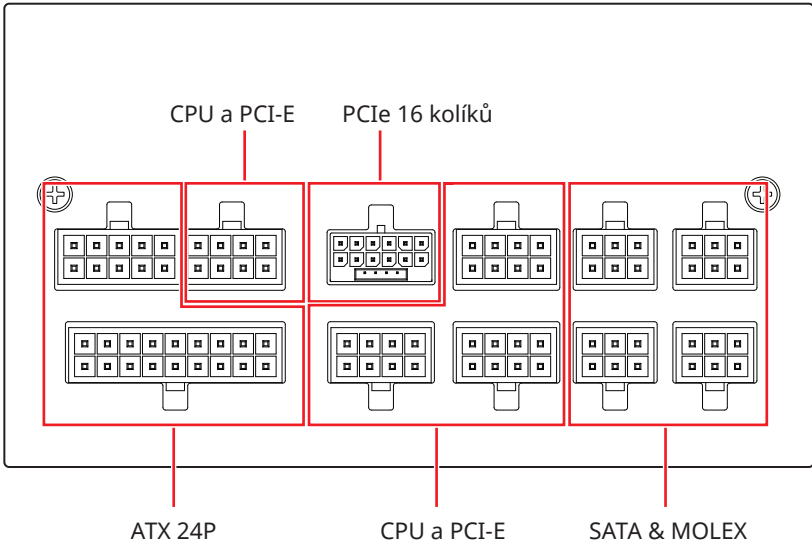


Počet napájecích konektorů

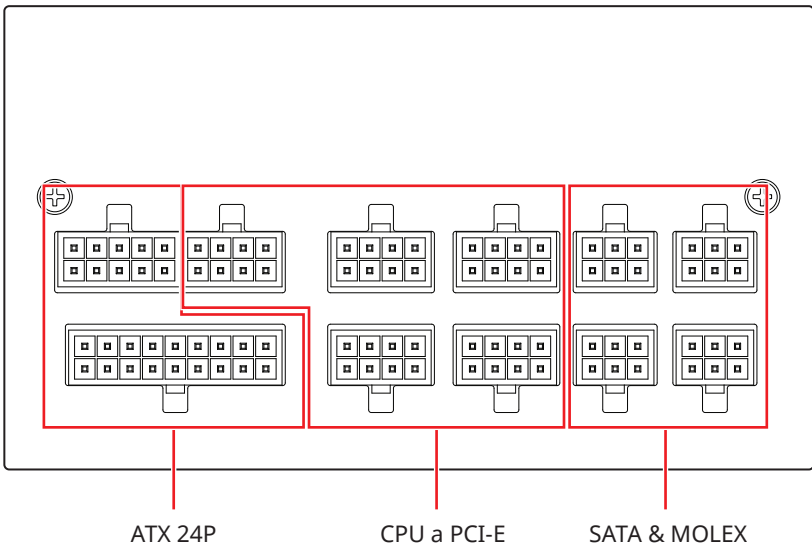
Napájecí konektory	A850GL	A750GL	A650GL
ATX12V (základní deska) 20+4 kolíky	1	1	1
PCIe 16 kolíků	1	1	0
EPS12V (CPU) 4+4 kolíky	2	2	2
PCIe (VGA) 6+2 kolíky	4	3	4
SATA 15 kolíků	8	8	6
Periferní (PATA) 4 kolíky	4	4	3
FDD 4 kolíky	1	1	1

Odnímatelné konektory

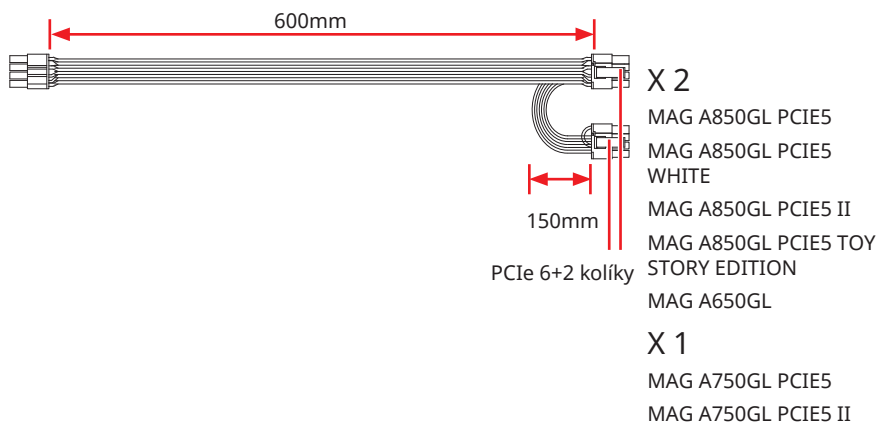
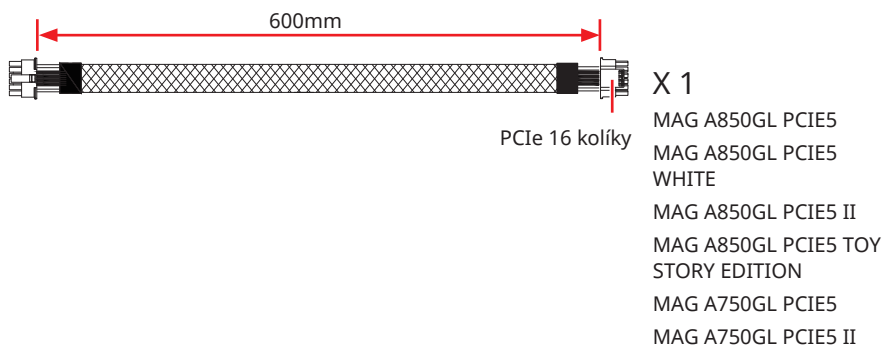
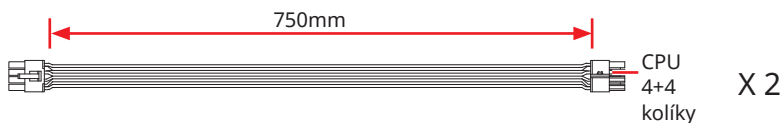
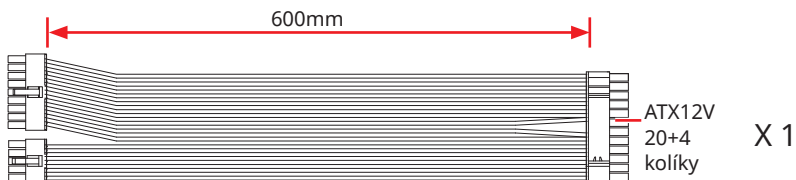
A850GL a A750GL

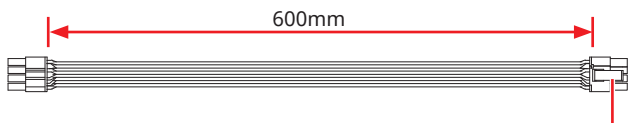


A650GL

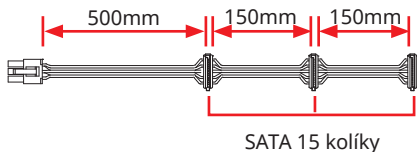


Možnosti připojení a délka kabelů



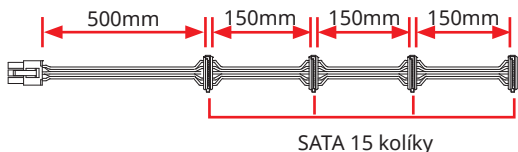


X 1
 MAG A750GL PCIE5
 MAG A750GL PCIE5 II



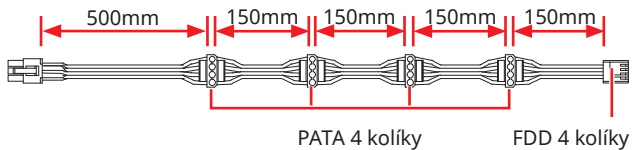
X 2
 MAG A650GL

SATA 15 kolíky



X 2
 MAG A850GL PCIE5
 MAG A850GL PCIE5 WHITE
 MAG A850GL PCIE5 II
 MAG A850GL PCIE5 TOY STORY EDITION
 MAG A750GL PCIE5
 MAG A750GL PCIE5 II

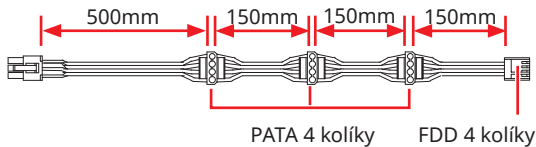
SATA 15 kolíky



X 1
 MAG A850GL PCIE5
 MAG A850GL PCIE5 WHITE
 MAG A850GL PCIE5 II
 MAG A850GL PCIE5 TOY STORY EDITION
 MAG A750GL PCIE5
 MAG A750GL PCIE5 II

PATA 4 kolíky

FDD 4 kolíky



X 1
 MAG A650GL

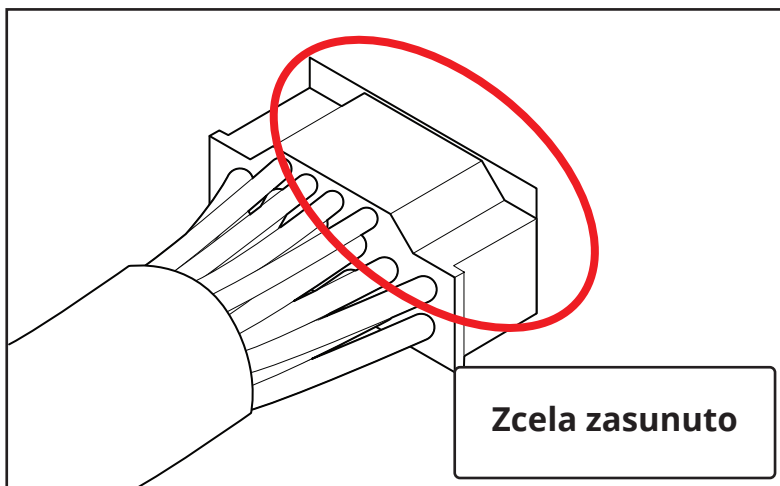
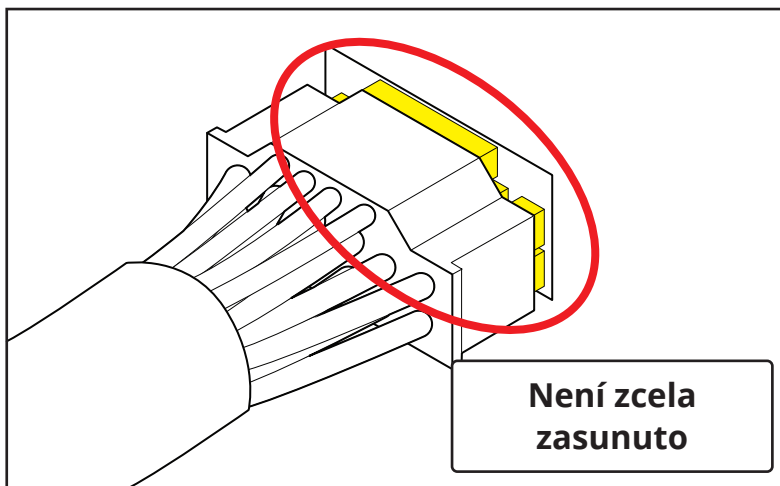
PATA 4 kolíky

FDD 4 kolíky

Instalace 16 kolíkového kabelu PCIe



Před použitím kabel zcela zasuňte.



Obsah

Technické údaje	2
Rozmery	3
Počet napájacích konektorov	4
Odpojiteľné konektory.....	5
Možnosti pripojenia a dĺžky káblov.....	6
Inštalácia kábla PCIe so 16 kolíkmi	8

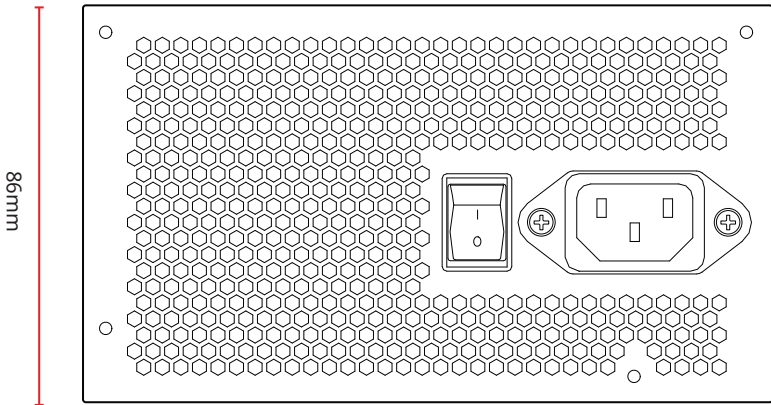
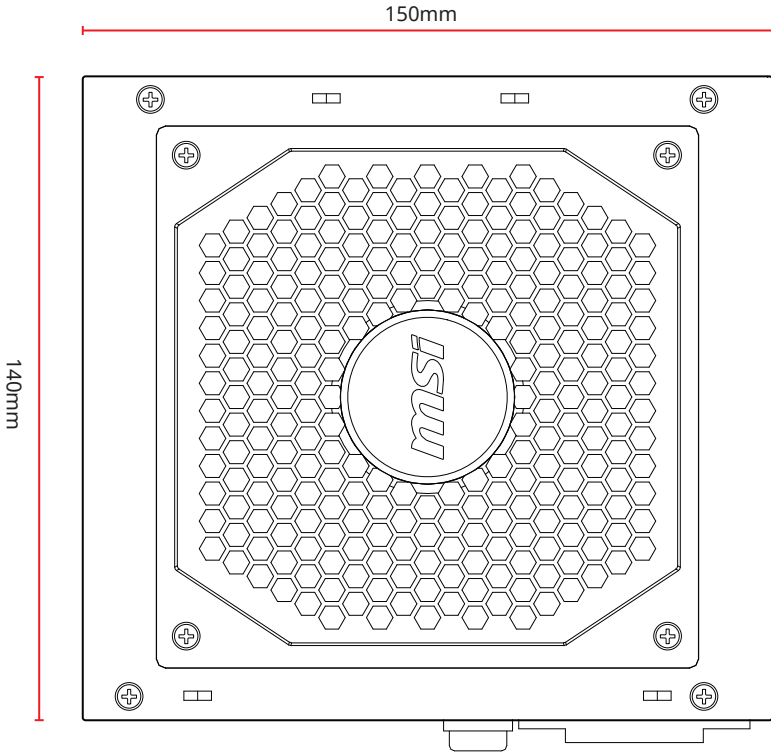
Technické údaje

850 W					
Napätie	+5V	+3,3V	+12V	-12V	+5Vsb
Max. záťaž	20,0 A	20,0 A	70,5 A	0,3 A	2,5 A
Kombinovaný výkon	110 W		846 W	3,6 W	12,5 W
Celkový výkon	850 W				
Regulácia	±3%	±3%	±3%	±10%	±3%
Zvlnenie a šum	40 mVš-š	40 mVš-š	60 mVš-š	80 mVš-š	40 mVš-š

750 W					
Napätie	+5V	+3,3V	+12V	-12V	+5Vsb
Max. záťaž	20,0 A	20,0 A	62,0 A	0,3 A	2,5 A
Kombinovaný výkon	110 W		744 W	3,6 W	12,5 W
Celkový výkon	750 W				
Regulácia	±3%	±3%	±3%	±10%	±3%
Zvlnenie a šum	40 mVš-š	40 mVš-š	60 mVš-š	80 mVš-š	40 mVš-š

650 W					
Napätie	+5V	+3,3V	+12V	-12V	+5Vsb
Max. záťaž	20,0 A	20,0 A	54,0 A	0,3 A	2,5 A
Kombinovaný výkon	100 W		648 W	3,6 W	12,5 W
Celkový výkon	650 W				
Regulácia	±3%	±3%	±3%	±10%	±3%
Zvlnenie a šum	40 mVš-š	40 mVš-š	60 mVš-š	80 mVš-š	40 mVš-š

Rozmery

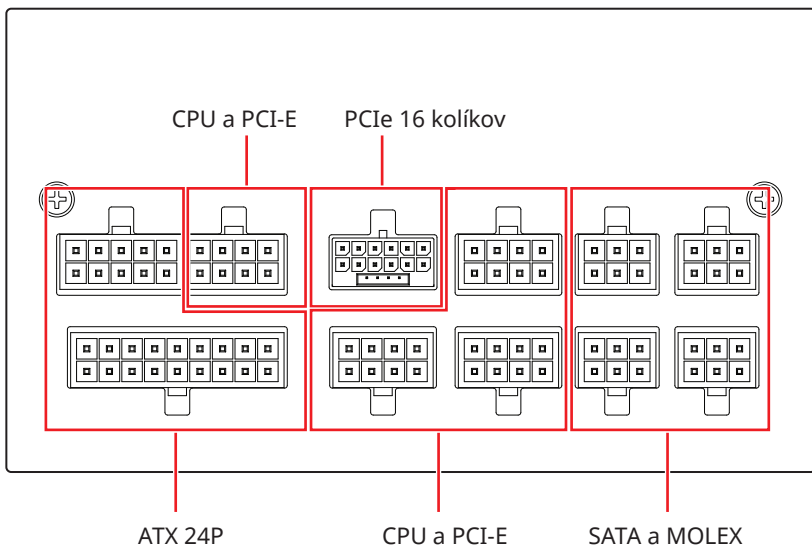


Počet napájacích konektorov

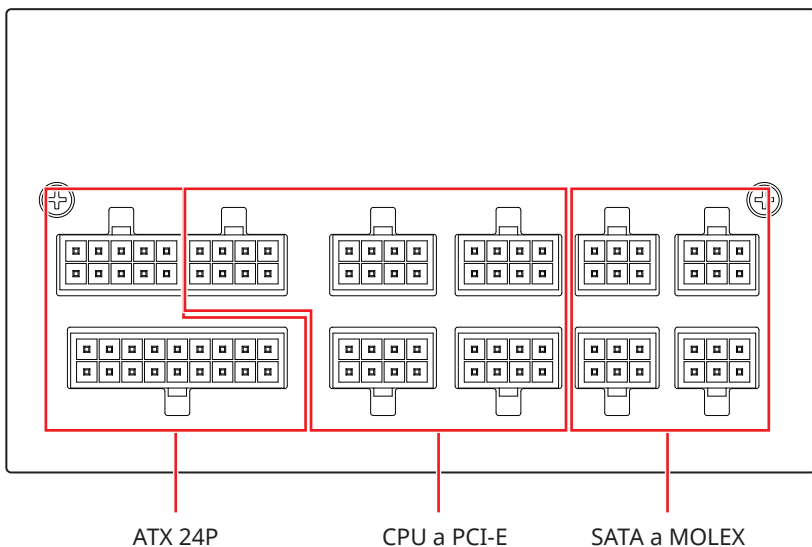
Napájacie konektory	A850GL	A750GL	A650GL
ATX12V (základná doska) 20+4 kolíkov	1	1	1
PCIe 16 kolíkov	1	1	0
EPS12V (CPU) 4+4 kolíkov	2	2	2
PCIe (VGA) 6+2 kolíkov	4	3	4
SATA 15 kolíkov	8	8	6
Periférne zariadenia (PATA) 4 kolíky	4	4	3
FDD 4 kolíky	1	1	1

Odpojitelné konektory

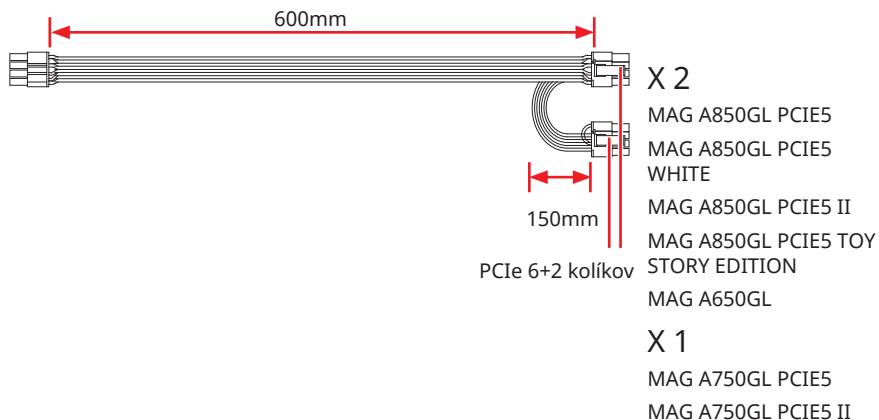
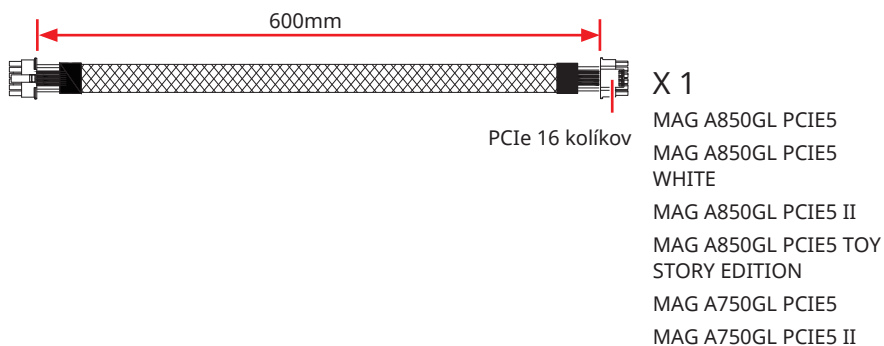
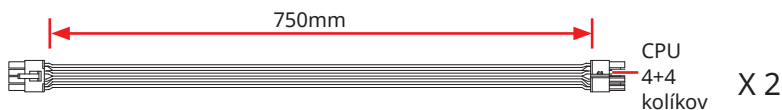
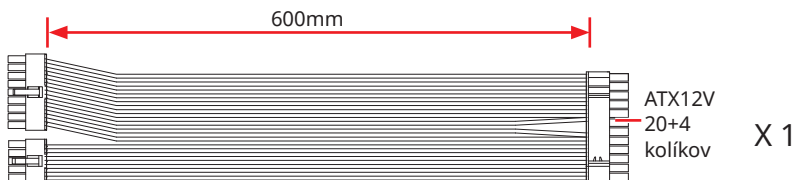
MAG A850GL & MAG A750GL

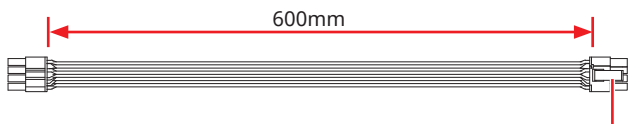


MAG A650GL

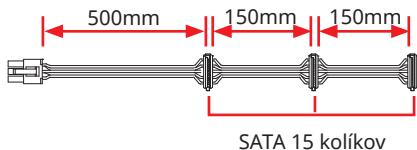


Možnosti pripojenia a dĺžky káblov

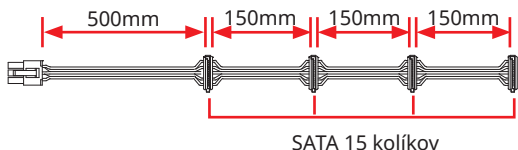




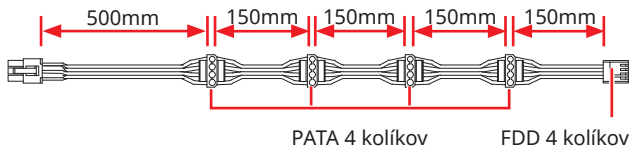
X 1
 MAG A750GL PCIE5
 MAG A750GL PCIE5 II
 PCIe 6+2 kolíkov



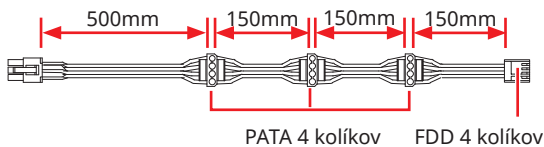
X 2
 MAG A650GL
 SATA 15 kolíkov



X 2
 MAG A850GL PCIE5
 MAG A850GL PCIE5 WHITE
 MAG A850GL PCIE5 II
 MAG A850GL PCIE5 TOY STORY EDITION
 MAG A750GL PCIE5
 MAG A750GL PCIE5 II
 SATA 15 kolíkov



X 1
 MAG A850GL PCIE5
 MAG A850GL PCIE5 WHITE
 MAG A850GL PCIE5 II
 MAG A850GL PCIE5 TOY STORY EDITION
 MAG A750GL PCIE5
 MAG A750GL PCIE5 II
 PATA 4 kolíkov FDD 4 kolíkov

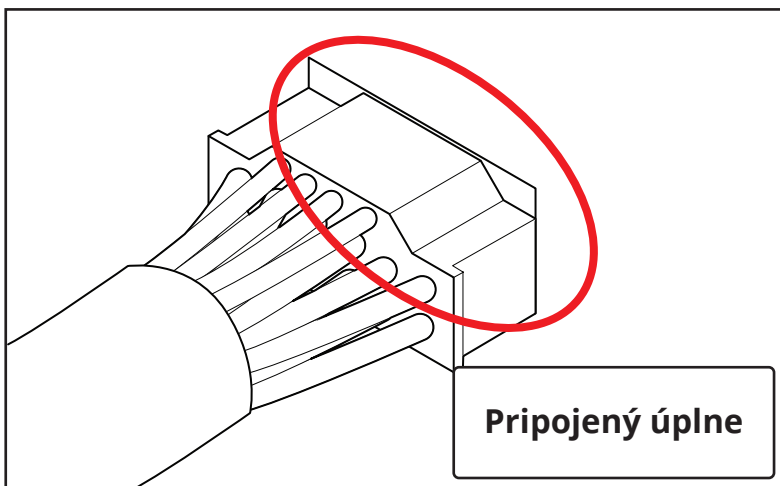
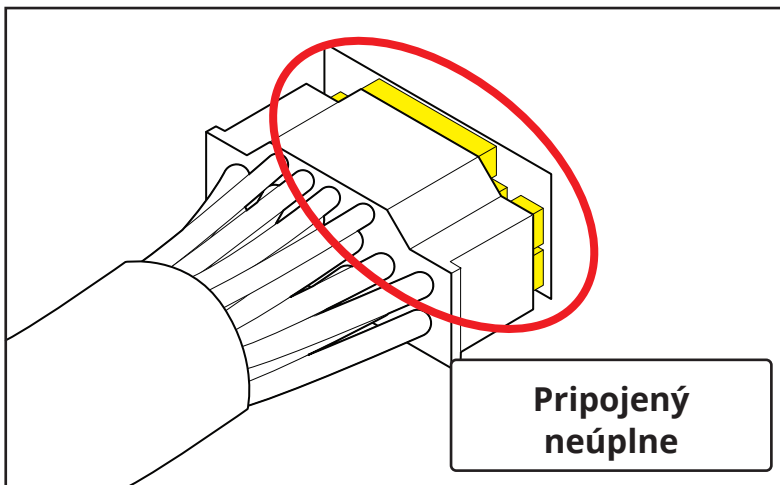


X 1
 MAG A650GL
 PATA 4 kolíkov FDD 4 kolíkov

Inštalácia kábla PCIe so 16 kolíkmi

 **UPOZORNENIE**

Pred použitím úplne pripojte kábel.



Regulatory Notices

KC인증서

MAG A850GL PCIE5, MAG A850GL PCIE5 WHITE, MAG A850GL PCIE5 II, MAG A850GL PCIE5 TOY STORY EDITION



XU100111-23113A
R-R-MSI-MAGA850GL

제품명: 컴퓨터용 전원공급장치
모델: MAG A850GL PCIE5
A/S TEL: 1644-4038
제조사: Channel Well Technology (Guangzhou) Co., Ltd.
제조국가: 중국

MAG A750GL PCIE5, MAG A750GL PCIE5 II



XU100111-23112A
R-R-MSI-MAGA850GL

제품명: 컴퓨터용 전원공급장치
모델: MAG A750GL PCIE5
A/S TEL: 1644-4038
제조사: Channel Well Technology (Guangzhou) Co., Ltd.
제조국가: 중국

MAG A650GL



XU100111-23111A
R-R-MSI-MAGA650GL

제품명: 컴퓨터용 전원공급장치
모델: MAG A650GL
A/S TEL: 1644-4038
제조사: Channel Well Technology (Guangzhou) Co., Ltd.
제조국가: 중국

Model Number

Model No.: 7ZP8A, 7ZP8B, 7ZP8C

製造商資料

製造商: 微星科技股份有限公司
地址: 新北市中和區立德街69號
電話: 02-3234-5599

