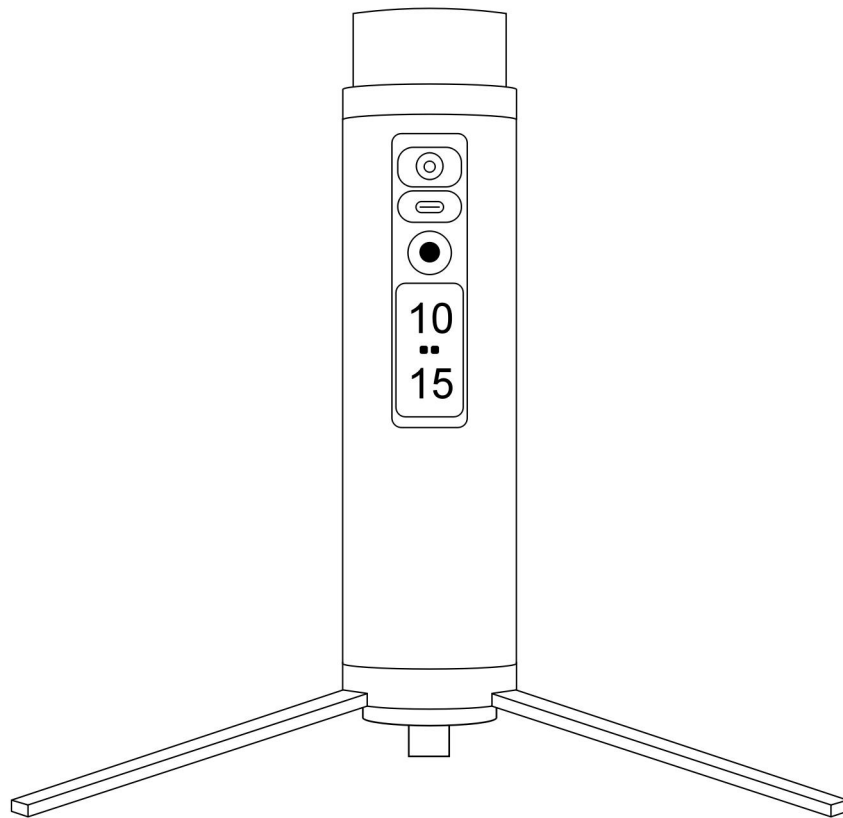




Link Power Pod 1

Power Bank for Starlink® Mini



Quick Start

V 1.0

Introduction

Meet the Link Power Pod 1 power solution!

The Link Power Pod 1 power bank is a compact, high-efficiency power solution designed exclusively for the Starlink® Mini.

With a 99Wh battery capacity, Link Power Pod 1 provides over 5 hours of continuous runtime, keeping your internet connection alive - even in remote locations.

Link Power Pod 1 supports USB-C bidirectional power delivery. With 100W^{1,2} USB-C input, it charges from 20% to 80% in just 45 minutes. The USB-C port also can deliver 65W output, perfect for powering your phone, laptop, and other USB-C devices.

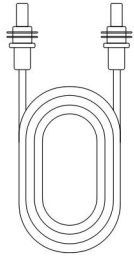
Best of all, Link Power Pod 1 can power the Starlink® Mini while charging itself via the USB-C port - ensuring uninterrupted operation when you need it most.

With a simple long press of the power button, you can turn the DC output on or off to control the Starlink® Mini.

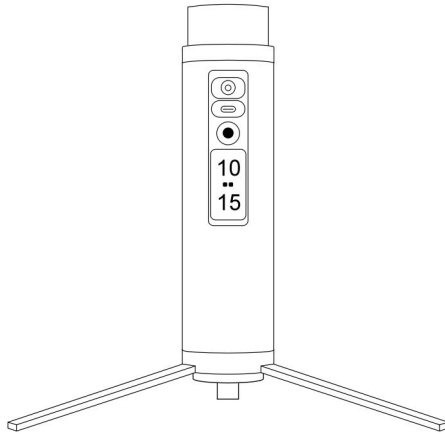
NOTE: Before using Link Power Pod 1 for the first time, you must activate it. Please refer to the "[Setup](#)" section for activation methods.

1. Input (Charging) power limit can be set via Web App. The max power limit is 100W.
2. **Warning:** Charging or discharging the battery at high power levels may significantly reduce its lifespan. For optimal battery health, avoid excessive power usage unless necessary.

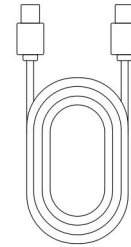
What's In the Box



DC-to-DC Cable

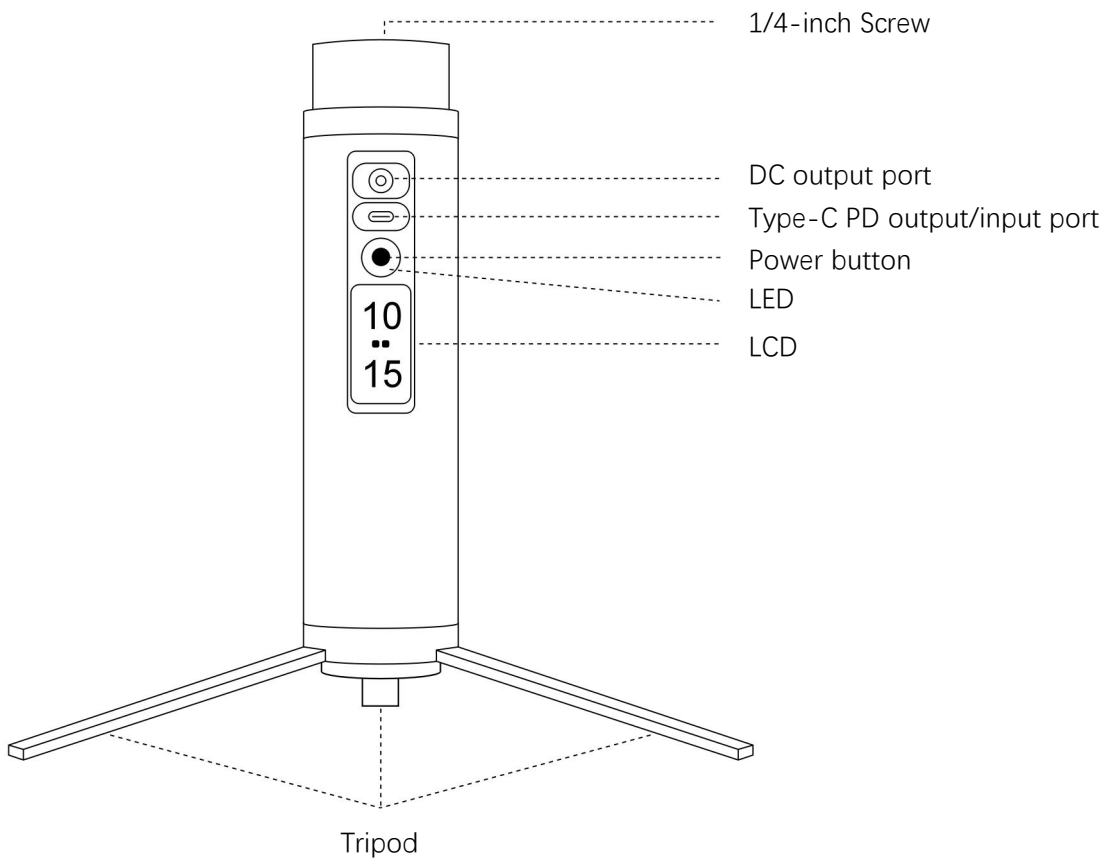


Link Power Pod 1



Type-C to Type-C cable

Device Overview

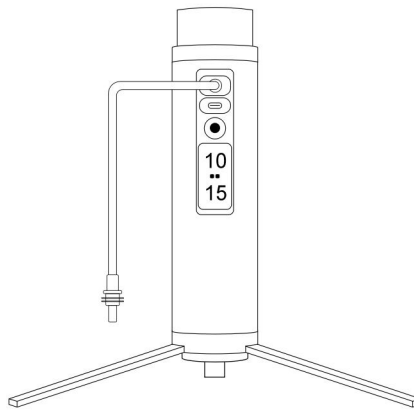


WARNING: The DC output port is for output only. Do not connect any DC power adapters, as it may damage the device.

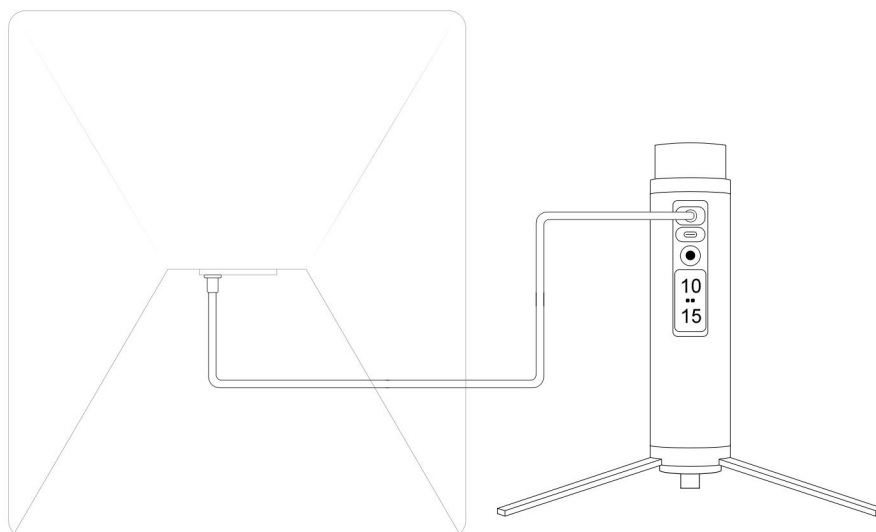
Setup

WARNING: The DC output port is for output only. Do not connect any DC power adapters, as it may damage the device.

1. Place the Starlink® Mini face down on a table or other flat surface. Be careful not to scratch the face of the Starlink® Mini. Remove the kickstand if used.
2. Unpack the Link Power Pod 1 and plug the included DC-to-DC cable into the DC port on the Link Power Pod 1.



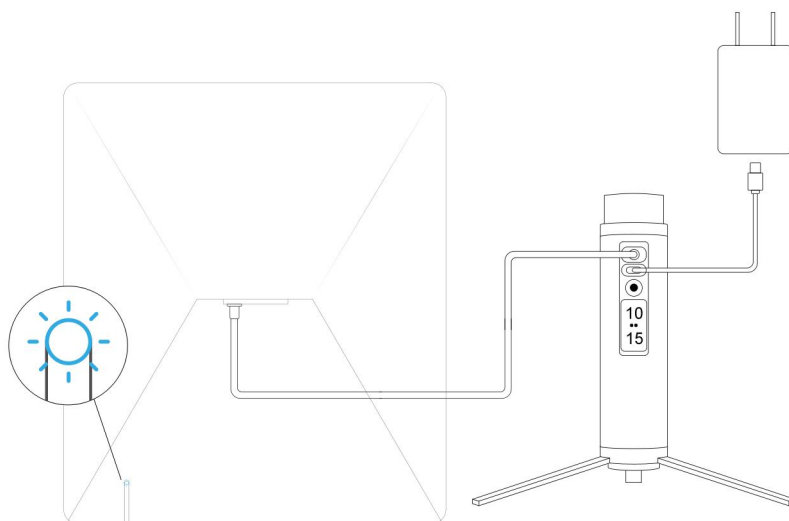
3. Plug the other end of the DC cable into the DC port on the Starlink® Mini. Ensure the plug is fully inserted such that the plug face is flush with the DC port surface to guarantee a secure connection.



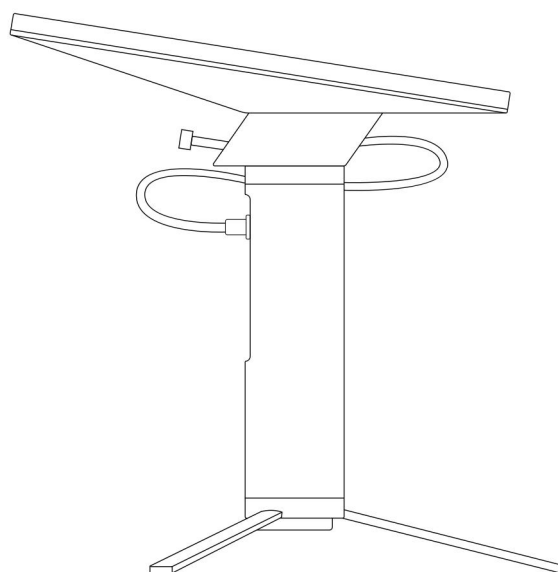
Link Power Pod 1 Quick Start

4. Plug in an external PD power supply to **activate** the Link Power Pod 1. Alternatively, press and hold the power button for 10 seconds. Activation is complete once the screen turns on. When the Link Power Pod 1 powered on, the LED indicator on the power button will light up. The Starlink® Mini will automatically power on, and its LED indicator will begin flashing.

NOTE: After Link Power Pod 1 has been activated, you can remove the external PD power supply.



5. Gently slide the Link Power Pod 1 toward the Starlink® Mini until you hear a clicking sound. This indicates that the Link Power Pod 1 is securely attached to the Starlink® Mini.



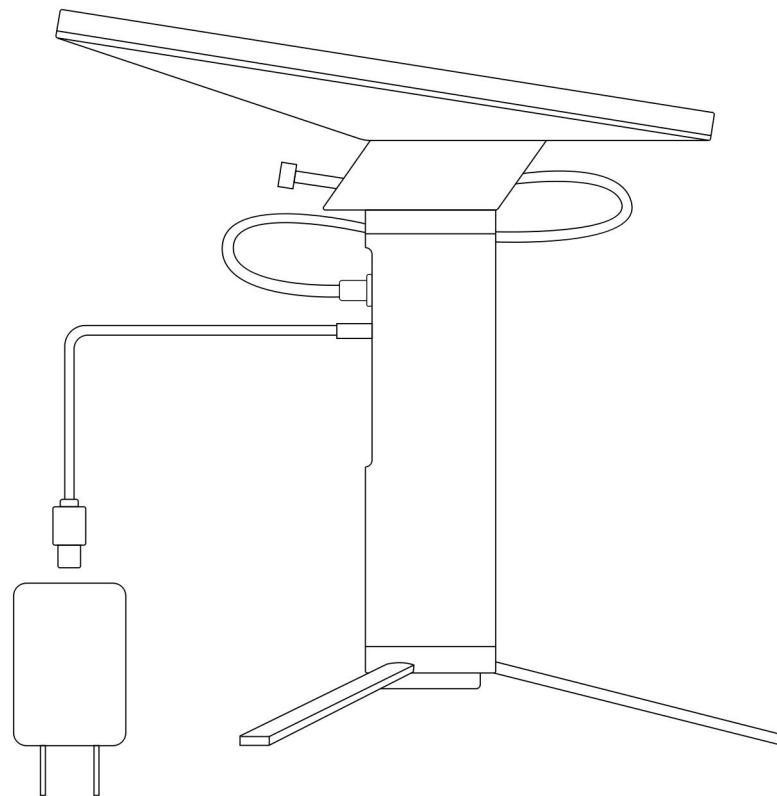
6. Setup is complete. You can now use your Starlink® Mini as normal, powered by the attached Link Power Pod 1.

Usage

Charging

Link Power Pod 1 supports the following three charging methods while simultaneously powering the Starlink Mini:

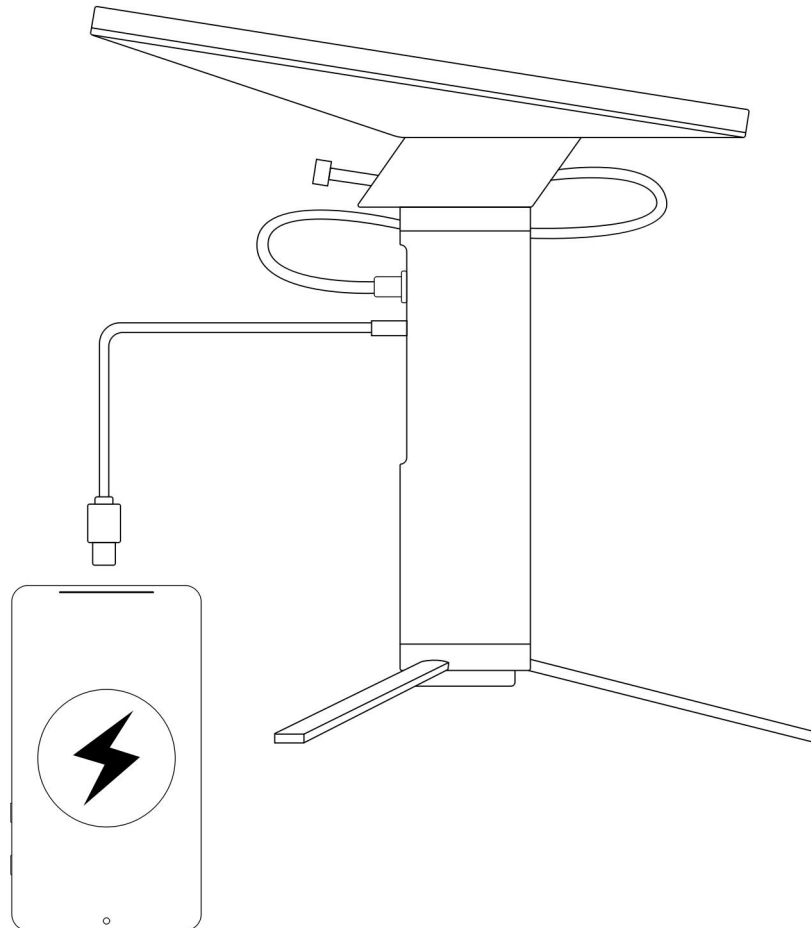
Type-C PD Charging: Charge Link Power Pod 1 via the Type-C PD port while (Supports PD 3.1, PPS, and QC5. Compatible with QC 3.0 / 2.0, FCP, AFC, SCP, and Apple 2.4A)



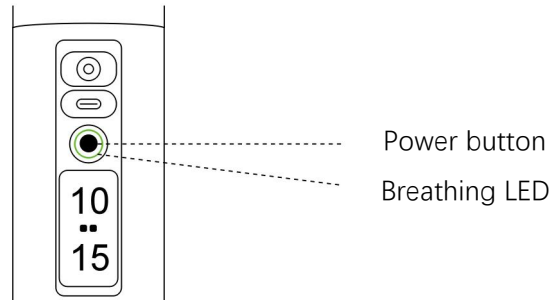
Works as a normal power bank

When needed, Link Power Pod 1 can also be used to charge other devices through its USB Type-C PD port.

NOTE: The power bank reserves approximately 10%~15% of its capacity for the Starlink Mini. When the remaining battery level falls below this range, the Type-C output will automatically turn off to ensure better overall usability and avoid your Starlink Mini powering down unexpectedly (due to USB outputs draining the battery).



Power Button Functions

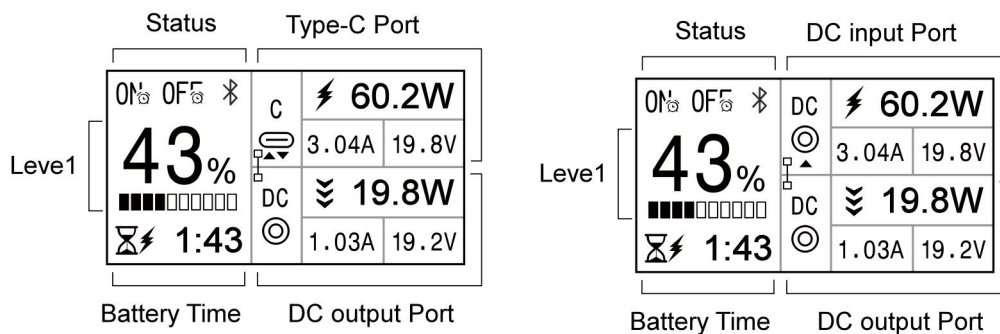


1. Power Off: Press and hold the power button for 10 seconds to power off the Link Power Pod 1
2. DC Output On / Off: Press and hold the power button for 2 seconds. Release the button when the breathing light starts flashing to turn the DC output on or off.
3. Breathing Light On / Off: (When the DC output port is on) Quickly press the power button twice to turn the breathing light on or off.
4. PIN Mode Switching: Quickly press the power button three times to switch between Fixed PIN (020555) and random PIN. (During pairing, if no verification code is displayed on the screen, a fixed PIN is used. If a verification code is displayed, a random PIN is used.) When the mode is successfully switched, the LED indicator will flash to confirm.

Check the status

To check the status of Link Power Pod 1, press Power Button once to turn on the LCD screen.

Following is the layout of the full UI:

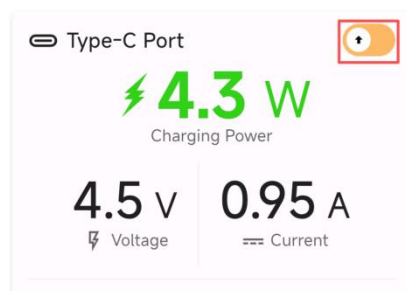


Link Power Pod 1 Quick Start

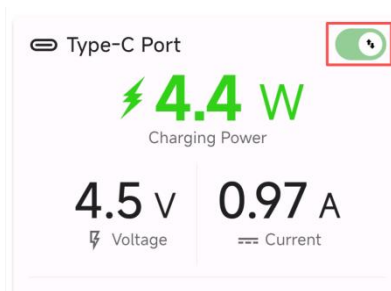
Battery Level	Displays Battery Level
Battery Time	⌚⚡ Displays the estimated time until Link Power Pod 1 is fully charged ⌚⚡ Displays the estimated time until Link Power Pod 1 is fully discharged
Status	ON🕒 Indicate a timer is active for turning on the DC port OFF🕒 Indicate a timer is active for turning off the DC port 📶 Indicate work status of Bluetooth
DC output Port	Displays the power, current, voltage and work status of the DC port ⚡⚡⚡ Indicate DC port is discharging
Type-C Port	Displays the power, current, voltage and work status of the Type-C port ⚡ Indicate Type-C port is charging ⚡⚡⚡ Indicate Type-C port is discharging ▲▼ Enable charging or discharging ▲ Enable charging-only mode
Bypass State	Located between the DC and Type-C displays 🟡 When the color is yellow, it indicates manual activation 🟢 When the color is green, it indicates automatic activation

When the DC port is enabled, the LED indicator will gently pulse.

Open the app, scroll down to find the Type-C port, and tap the button on the right to switch between Charge Only and Charging/Discharging



Charging Only



Charging or Discharging

Bypass function

When the bypass function is on, external power is routed directly to the Starlink Mini. The following scenarios apply:

- Low battery condition: If the battery level is very low and can only be charged slowly,

Link Power Pod 1 Quick Start

the external power will be used directly instead of draining the battery.

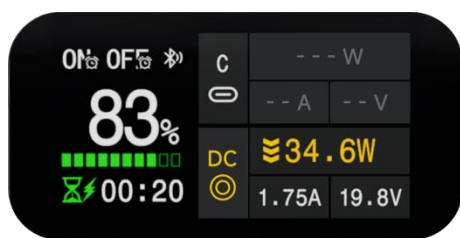
- Temperature protection: If the battery temperature is outside the safe discharge range (below $-20\text{ }^{\circ}\text{C}$ or above $60\text{ }^{\circ}\text{C}$), the battery will refuse to discharge for protection, and external power will be routed directly to the Starlink Mini.

Manually Controlling the DC Port

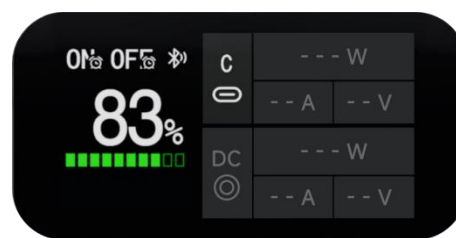
You can manually enable or disable the Link Power Pod 1's DC port, which in turn powers your Starlink® Mini on or off.

To do this, press and hold the Power Button for at least 2 seconds. The LED indicator will quickly flash twice to confirm this action.

- When the DC port is enabled, the LED indicator will gently pulse.
- When the DC port is disabled, the LED indicator will turn off.



enabled



disabled

Shutting Down Link Power Pod 1

If you don't plan to use Link Power Pod 1 for an extended period, you can shut it down completely. This helps to preserve battery life and health.

To do so, press and hold the Power Button for at least 10 seconds. Once Link Power Pod 1 is fully shut down, the Power Button will become unresponsive.

To restart Link Power Pod 1 from a complete shutdown, simply plug in an external power supply.

Using Web App

NOTE: The Web App currently only works on following browsers:

- Windows/macOS: Chrome, Edge, Opera
- Android: Chrome, Edge, Opera, Samsung Internet
- iOS: [Bluefy](#)

NOTE: The Web App can function offline after your initial visit.

Access Web App



Scan the following QR code, or the one on the back of the Link Power Pod 1.

Or type in the URL <https://pwa.peakdo.ca/link-power-1/> manually.

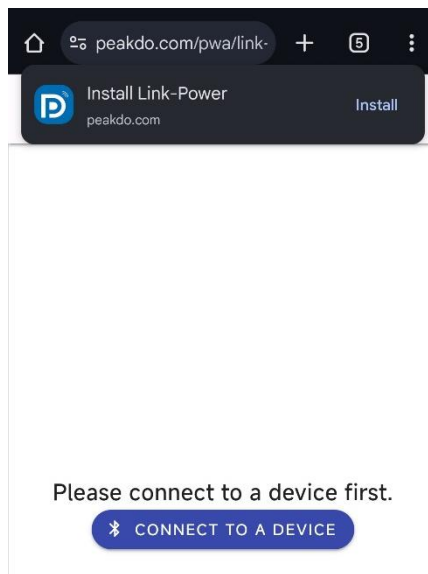
(Optional) Install Web App

NOTE: You may need to grant your browser 'Home screen shortcuts' permission.

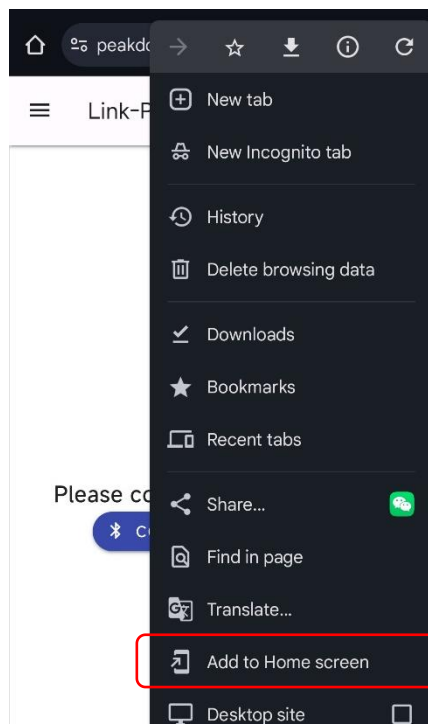
You can access the Web App directly in your browser. For a more integrated experience, you can also install it like a native app, which provides a launch icon on your desktop or allows it to be pinned to your Windows Taskbar.

When you visit the Web App for the first time, your browser may prompt you to install it.

Link Power Pod 1 Quick Start

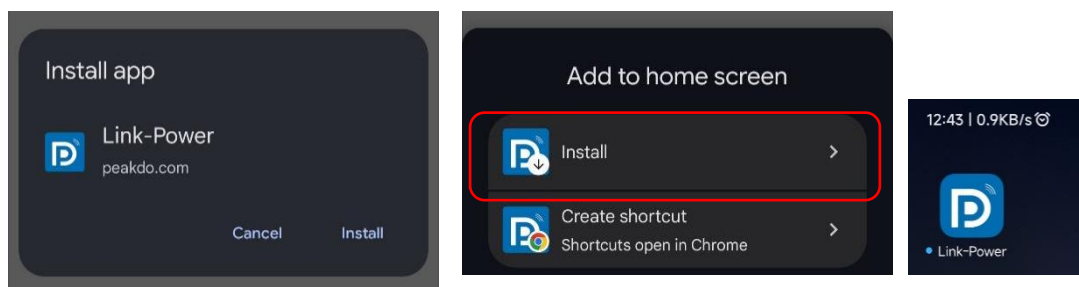


If not, you can typically find the installation option via your browser's "Add to Home screen" or similar menu.



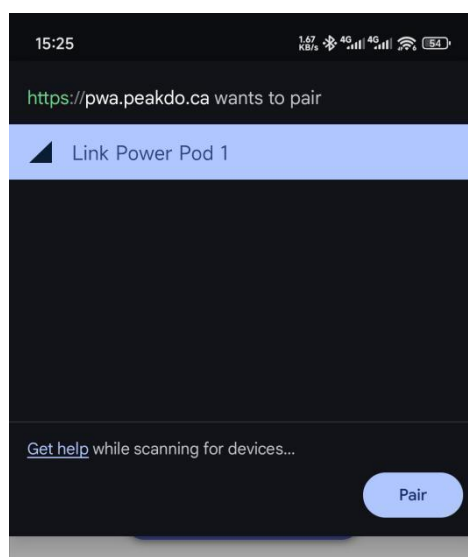
Link Power Pod 1 Quick Start

Follow the on-screen guide to install the Web App:



Connect to Link Power Pod 1

The Web App communicates with Link Power Pod 1 via Bluetooth.



You can connect to your Link Power Pod 1 by tap the “Connect to a device” button.

Your browser will scan for all nearby Link Power Pod 1 devices and display them in a list, allowing you to select one to pair.

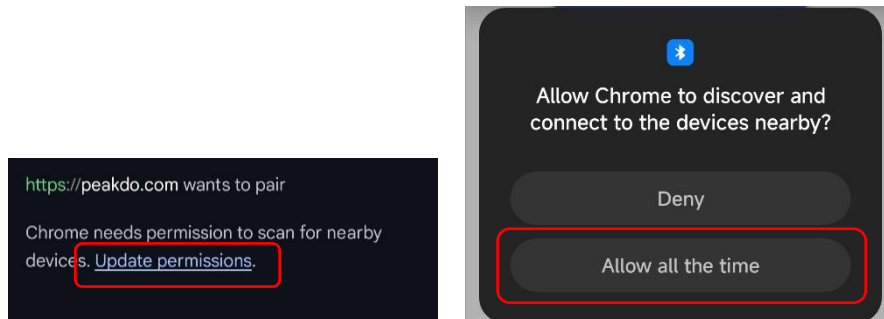
NOTE: In some situations, a previously paired or bonded device may not show up in the list. You can unpair or remove the bond from your system and try again.

Link Power Pod 1 Quick Start

Grant permission to Browser

If your browser lacks Bluetooth access permission, it may prompt you to grant it.

Follow the on-screen guide to allow access:

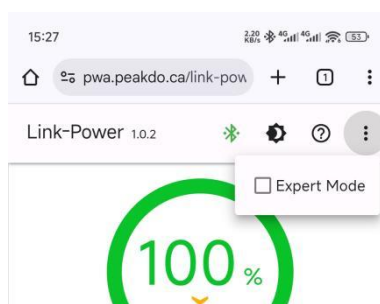


The UI

Following is the UI of the Web App, it's pretty straightforward.



Some advance actions hidden by default. You can show them by check the “Expert Mode” menu in the three dots menu:



Pair with Link Power Pod 1

When connect to the Link Power Pod 1 device, your operating system (OS) will prompt you to enter a PIN to pair with the Link Power Pod 1 device. You'll only need to do this once, unless you delete the Link Power Pod 1 bond from your OS settings.

NOTE: A random six- digit PIN will be displayed on the LCD screen. If not, use the default PIN 020555.

Troubleshooting

Our Web App has been successfully tested with the following browsers:

- Windows/macOS: Chrome, Edge
- Android: Chrome, Edge, Samsung Internet
- iOS: [Bluefy](#)

1. Activate Link Power Pod 1, and make sure Bluetooth is turned on: the Bluetooth icon should be highlighted white (not green or dim grey) on top of the screen.
2. Make sure your system has Bluetooth hardware and it is turned on:
 - For Windows
 - Go to `Settings` → `Bluetooth & devices`. Make sure Bluetooth is turned on
 - In `Bluetooth & devices`, click `Add device`
 - Choose `Bluetooth`
 - Wait for Windows to discover your BLE device, you should see the device named `Link Power Pod 1` in the list
 - For Android
 - Make sure Bluetooth is turned on
 - you should see the device named `Link Power Pod 1` in the `Available devices` list
3. Install and launch a supported browser

Specifications

Product Name	Link Power Pod 1
Battery Capacity	99Wh, 27500mAh(3.6v)
Battery Runtime	~5Hours for Starlink® Mini
Battery Type	21700 Lithium Battery
Ports	PD/USB-C; DC 5.5 x 2.1;
DC Output	DC 15-21V (65W Max)
PD/USB-C Input	5V-3A; 9V-3A; 12V-3A; 15V-5A; 20V-3.25A; Default 65W Max ^{1,2} .
PD/USB-C Output	5V-3A; 9V-3A; 12V-3A; 15V-5A; 20V-3.25A; Default 65W Max
Screen	1.47" LCD
Control	Power Button / Bluetooth Low Energy
Others	LED Indicator; A standard 1/4-inch screw holes.
Dimensions	244mm x Ø60mm
Weight	~667g
Working Temperature	-20°C ~ 60°C
Waterproof Rating	IP65

1. Input (Charging) Power Limit can be set via Web App. The max power limit is 100W.
2. **Warning:** Charging or discharging the battery at high power levels may significantly reduce its lifespan. For optimal battery health, avoid excessive power usage unless necessary.

FCC Warning:

This equipment has been tested and found to comply with the limits for a Class B digital device, pursuant to part 15 of the FCC Rules. These limits are designed to provide reasonable protection against harmful interference in a residential installation. This equipment generates, uses and can radiate radio frequency energy and, if not installed and used in accordance with the instructions, may cause harmful interference to radio communications. However, there is no guarantee that interference will not occur in a particular installation. If this equipment does cause harmful interference to radio or television reception, which can be determined by turning the equipment off and on, the user is encouraged to try to correct the interference by one or more of the following measures:

- Reorient or relocate the receiving antenna.
- Increase the separation between the equipment and receiver.
- Connect the equipment into an outlet on a circuit different from that to which the receiver is connected.
- Consult the dealer or an experienced radio/TV technician for help.

Caution: Any changes or modifications to this device not explicitly approved by manufacturer could void your authority to operate this equipment.

This device complies with part 15 of the FCC Rules. Operation is subject to the following two conditions:

(1) This device may not cause harmful interference, and (2) this device must accept any interference received, including interference that may cause undesired operation.

This equipment complies with FCC radiation exposure limits set forth for an uncontrolled environment. This equipment should be installed and operated with minimum distance 20cm between the radiator and your body.