

Installation Instructions

9000373537 (8902-1)





Important Safety Instructions

To avoid possible injury or property damage, **OBSERVE ALL WARNINGS AND CAUTIONS.**

These instructions are intended for use by qualified installers only. The dishwasher must be installed by a qualified service technician or installer.

- In addition to these instructions, the dishwasher shall be installed to meet all electrical and plumbing codes and ordinances (both national and local).

Read these installation instructions completely and follow them carefully. They will save you time and effort and help to ensure safety and optimum dishwasher performance.

IMPORTANT

- The dishwasher drain hose must be installed with a portion of it at least 20" (508mm) off the cabinet floor; otherwise the dishwasher may not drain properly.
- This dishwasher is intended for indoor residential use only, and should not be used in commercial food service establishments.
- **NEW INSTALLATION** - If the dishwasher is a new installation, most of the work must be done before the dishwasher is moved into place.
- **REPLACEMENT** - If the dishwasher is replacing another dishwasher, check the existing dishwasher connections for compatibility with the new dishwasher, and replace parts as necessary.
- This appliance has been found to be in compliance with CAN/CSA-C22.2 No. 167/UL 749. It is the responsibility of the owner and the installer to determine if additional requirements and standards apply in specific installations.
- Not for outdoor use.

Inspect the Dishwasher

After unpacking the dishwasher and prior to installation, thoroughly inspect the dishwasher for possible freight or cosmetic damage. Report any damage immediately.

Cosmetic defects must be reported within 30 days of installation.

NOTE: Do not discard any bags or items that come with the original package until after the entire installation has been completed.

WARNING

Avoiding General Hazards

Do not use the dishwasher until it is completely installed. When opening the door on an uninstalled dishwasher, carefully open the door while supporting the rear of the unit. Failure to follow this warning can cause the dishwasher to tip over and result in serious injury.

Before installing the “L”-shaped supplied countertop mounting brackets (select models), decide which method will be used to secure the dishwasher into its opening. Once these mounting brackets are installed on the dishwasher, removing them is difficult and will damage the mounting brackets and the dishwasher.

In some conditions, hydrogen gas can form in a hot water system that has not been used for weeks. Hydrogen gas is explosive.

Before filling a dishwasher from a system that has been off for weeks, run the water from a nearby faucet in a well ventilated area until there is no sound or evidence of gas.

Temperatures required for soldering and sweating will damage the dishwasher’s base and water inlet valve. If plumbing lines are to be soldered or sweated, keep the heat source at least 6 inches (152.4 mm) away from the dishwasher’s base and water inlet valve.

Removing any cover or pulling the dishwasher from the cabinet can expose hot water connections, electrical power and sharp edges or points. Handle with care.

Avoiding Electrical Shock/Fire Hazards

Do not allow the electrical and water supply lines to touch. Separate channels are provided under the dishwasher.

Do not work on an energized circuit. Doing so could result in serious injury or death. Only qualified electricians should perform electrical work. Do not attempt any work on the dishwasher electric supply circuit until you are certain the circuit is de-energized.

Make sure electrical work is properly installed. There should be no loose electrical connections. Ensure all electrical connections are properly made.

The customer has the responsibility of ensuring that the dishwasher electrical installation is in compliance with all national and local electrical codes and ordinances. The dishwasher is designed for an electrical supply of 120V, 60 Hz, AC, connected to a dishwasher-dedicated, properly grounded electrical circuit with a fuse or breaker rated for 15 amps. Electrical supply conductors shall be a minimum #14 AWG copper only wire rated at 75°C (167°F) or higher.

This appliance must be connected to a grounded metal, permanent wiring system, or an equipment-grounding conductor must be run with the circuit conductors and connected to the equipment-grounding terminal or lead on the appliance. Do not use extension cords.

Avoiding Plumbing/Scalding Hazards

Do not perform any work on a charged hot water line. Serious injury could result. Only qualified plumbers should perform plumbing work. Do not attempt any work on the dishwasher hot water supply plumbing until you are certain the hot water supply is shut off.

Do not over tighten the 90° elbow. Doing so may damage the water inlet valve and cause a water leak.

Temperatures required for soldering and sweating will damage the dishwasher’s water inlet valve. If plumbing lines are to be soldered or sweated, keep the heat source at least 6 inches (152.4 mm) away from the dishwasher’s water inlet valve.

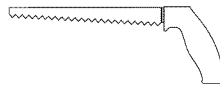
Check local plumbing codes for approved plumbing procedures and accessories. All plumbing should be done in accordance with national and local codes.

These instructions depict an installation method for stainless steel braided hose or PEX hot water supply lines. If using copper tubing or other material for water supply, defer to a licensed plumber for proper installation.

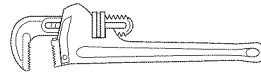
Tools and Materials Needed



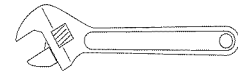
Hammer



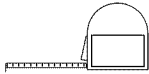
Hole Saw



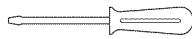
Pipe Wrench



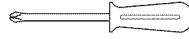
Adjustable Wrench



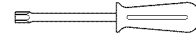
Tape Measure



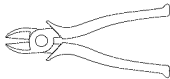
Slot Screwdriver



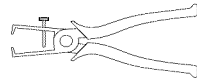
Phillips Screwdriver



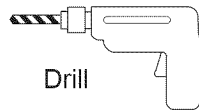
T-20 Screwdriver



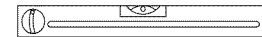
Wire Cutter






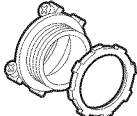
Wire Stripper



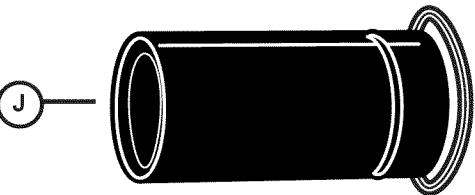
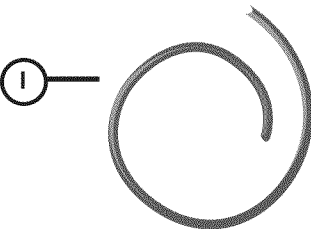
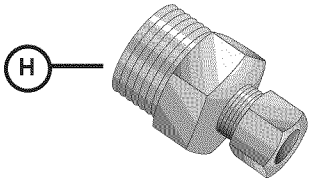
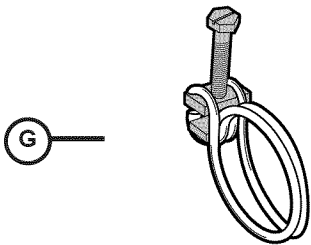
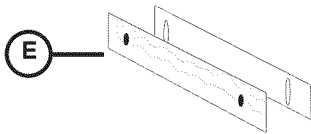
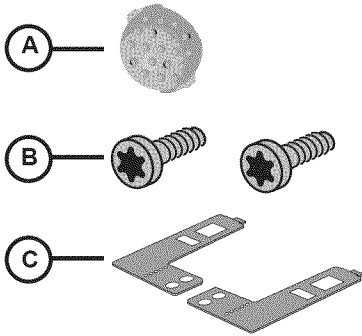
Drill



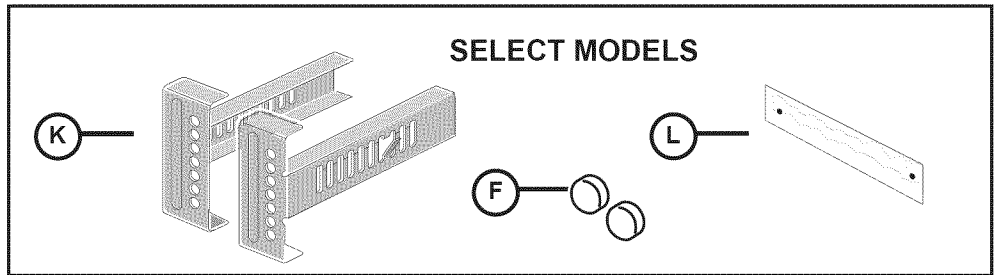
Level

	<p>Electrical Supply Cable - Minimum #14 AWG, 2 conductor, 1 ground, insulated copper conductors rated 75°C or higher.</p>
	<p>Hot Water Supply Line - Minimum 3/8" O.D. copper tubing or metal braided dishwasher supply line.</p>
	<p>Shut-off valve and fittings appropriate for hot water supply line (copper tubing/compression fitting, or braided hose).</p>
	<p>UL listed conduit connector or strain relief is required if you attach the field wiring directly to the terminal block.</p>

Materials Supplied



A	Extra Tall Item Sprinkler (See Use and Care Manual)
B	Toe Panel Screws
C	Mounting Brackets
D	Mounting Bracket Screws
E	Toe Panel (2 pieces)
F	Toe Panel caps
G	Screw Clamp (for hose)
H	Water Supply Adaptor Fitting
I	Flexible Edge Protector Grommet for electrical wire
J	Rubber Drain Hose Adaptor
K	Toe Panel Mounting Brackets (select models only)
L	Outer toe panel (3rd piece) Select models only.



Enclosure Requirements

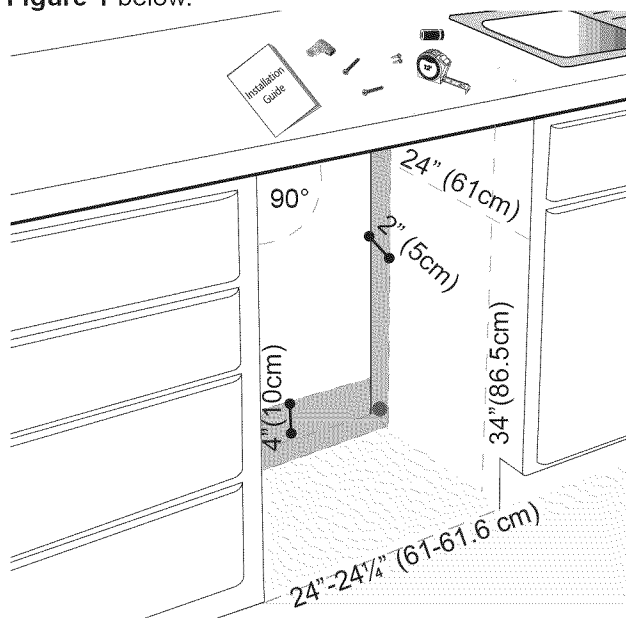
⚠ WARNING

Avoid Scalding or Electrical Shock Hazard!
Make sure the water supply and electrical supply are shut off before installation or service.

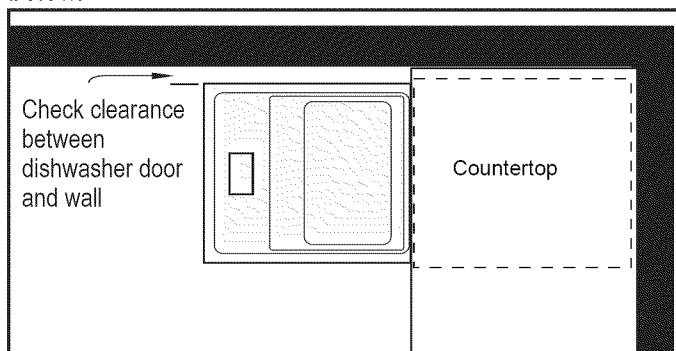
NOTE: This dishwasher is designed to be enclosed on the top and both sides by standard residential kitchen cabinetry.

Select a location as close to the sink as possible for easy access to water supply and drain lines.

For proper dishwasher operation and appearance, ensure that the enclosure is square and has the dimensions shown in **Figure 1** below.



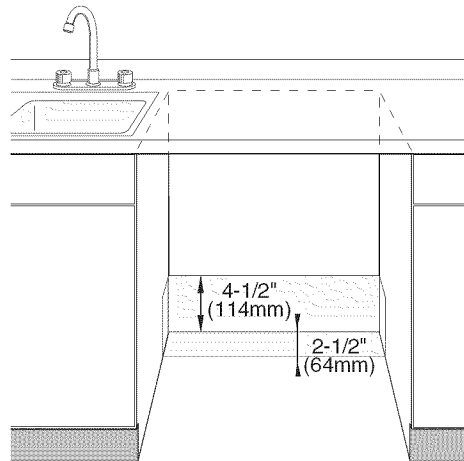
If the dishwasher is to be installed in a corner, make sure that there is adequate clearance to open the door. See **Figure 2** below.



⚠ WARNING

Avoid Electrical Shock/Fire Hazard
Do not allow the electrical and water supply lines to touch.

After locating the proper place for your new dishwasher, you will need to make any required openings to allow for passage of the water, drain and electrical line. In order to avoid interference with the dishwasher when sliding it into the cabinet, place your openings within the dimensions shown in **Figure 3** below.

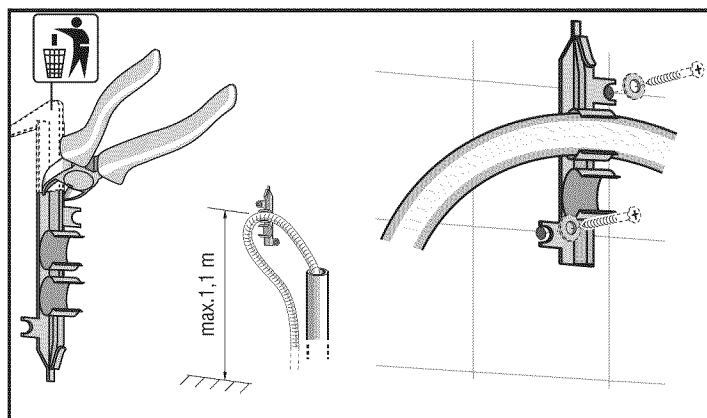


Required Openings:

- 4 1/4" x 2" (108 x 52mm) - To pass the included electrical supply junction box through to an adjacent cabinet
- 4" x 2" (100 x 50mm) - To pass the included water supply line toward the water supply
- 1 1/4" (32mm) diameter - To pass the dishwasher drain hose toward the drain connection

NOTE: If the incoming electric supply, water supply and drain connections are all in the same cabinet, the one 4 1/4" x 2" (108 x 52mm) hole will be large enough for all three to pass through.

Before sliding the dishwasher into the cabinet, remove the hose clip at the back of the dishwasher, as shown below and discard.



Electrical Preparation

ELECTRICAL PREPARATION

⚠ WARNING

Avoid Electrical Shock Hazard
Do not work on an energized circuit. Doing so could result in serious injury or death. Only qualified electricians should perform electrical work. Do not attempt any work on the dishwasher electric supply circuit until you are certain the circuit is de-energized.

⚠ WARNING

Avoid Fire Hazard
Make sure electrical work is properly installed. Only qualified electricians should perform electrical work.

Electrical Supply

The customer has the responsibility of ensuring that the dishwasher electrical installation is in compliance with all national and local electrical codes and ordinances. The dishwasher is designed for an electrical supply of 120V, 60 Hz, AC, connected to a dishwasher-dedicated, properly grounded electrical circuit with a fuse or breaker rated for 15 amps. Electrical supply conductors shall be a minimum #14 AWG copper wire rated at 75°C (167°F) or higher.

⚠ WARNING

Avoid Fire Hazard
Make sure there are no loose electrical connections. Make sure all electrical connections are properly made.

Grounding Instructions

The dishwasher must be properly grounded before operating. This appliance must be connected to a grounded metal permanent wiring system, or an equipment grounding conductor must be run with the circuit conductors and connected to the equipment grounding terminal or lead on the dishwasher. Make sure that the dishwasher is connected to a suitable ground in compliance with all local codes or, in the absence of a local code, with the NATIONAL ELECTRICAL CODE in the United States or the CANADIAN ELECTRIC CODE C22.1-latest edition in Canada as well as any provincial/state or municipal or local codes that apply.

Dishwasher Electrical Rating

Volts	Hertz	Amperes	Watts
120	60	12	1,300 (max)

Electrical Connection

The dishwasher electrical supply junction box and dedicated receptacle must be mounted in an accessible cabinet adjacent to the dishwasher (do not mount the junction box or receptacle behind the dishwasher). You will need a 4 1/4" x 2" (108 x 51mm) opening through the cabinet in order to pass the junction box through (see **Figure 4**). If the opening is made through wood, sand it smooth. If the opening is made through metal, use the included protective grommet or other approved method to protect wiring from damage. Use the four screws included (or appropriate fastener) in the parts bag to securely mount the junction box so that it can be easily accessed (see **Figure 4**). The electrical supply can be connected in two ways:

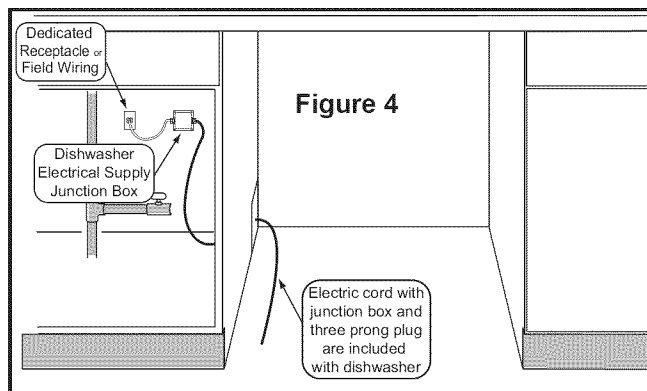
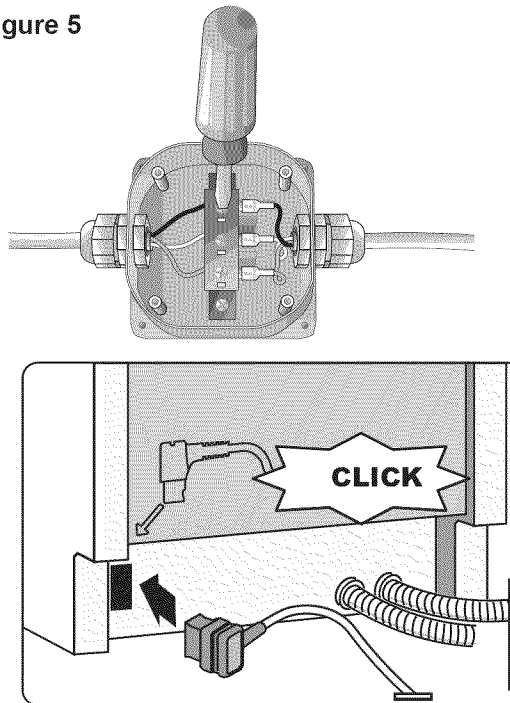


Figure 5



Method A - Three prong plug and receptacle

Use the included three-prong plug and junction box to connect to a dedicated household receptacle. Make sure the household receptacle meets the electrical supply requirements as well as national and local codes.

To permanently connect to household or field wiring:

1. Remove the dishwasher electrical supply junction box cover and connect to the power supply cord from the house installation. (see Figure 5).
2. Remove 2" to 3" (51 - 76mm) of the outer casing of the household or field supply wiring as shown in **Figure 6**. Remove 3/8" to 1/2" (10 - 13mm) of the insulation from each wire as shown in **Figure 6**.

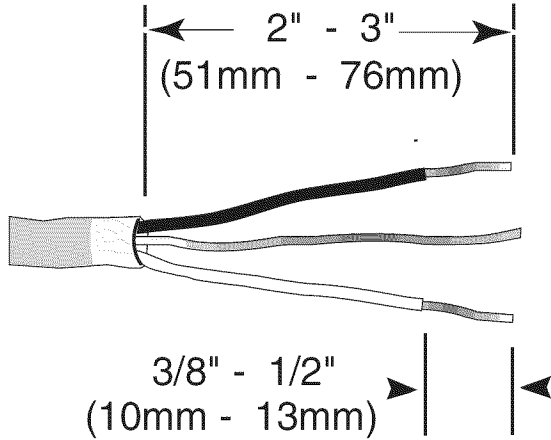


Figure 6

3. Insert the bare copper or green wire(ground) to the "G" ground connection "⏚" of the terminal block and securely tighten the terminal block screw (see **Figure 5**).
4. Insert the white (neutral) wire to the "N" connection of the terminal block and securely tighten the terminal block screw.
5. Insert the black(hot) wire to the "L" connection of the terminal block and securely tighten the terminal block screw.
6. Check all electrical connections to make sure they are secure and then attach the junction box cover with the 4 screws.

⚠ WARNING

Avoid Electrical Shock Hazard

To avoid possible injury or property damage, care should be exercised when the dishwasher is installed or removed to reduce the likelihood of damage to the power cord.

Inlet Water Connections

Hot Water Supply

The hot water heater should be set to deliver approximately 120° F (49° C) water to the dishwasher. Water that is too hot can cause some detergents to lose effectiveness. Lower water temperatures will increase run times. The hot water supply pressure must be between 15 - 145 psi (1 - 10 bar).

IMPORTANT NOTES:

- If using a solder joint instead of a compression fitting, be sure to make all solder connections before connecting the water supply line to the dishwasher.
- Make sure there are no sharp bends or kinks in the water line that might restrict water flow.
- Always use the appropriate seal when making plumbing connections.
- Before connecting the water supply line to the dishwasher, flush the incoming water line for approximately 5 minutes to clear any foreign material.
- Turn on the water supply and check for leaks after connections are made.

⚠ WARNING

Avoid Scald Hazard

Do not perform any work on a charged hot water line. Serious injury could result. Only qualified plumbers should perform plumbing work. Do not attempt any work on the dishwasher hot water supply plumbing until you are certain the hot water supply is shut off.

CAUTION

Temperatures required for soldering and sweating will damage the dishwasher. If plumbing lines are to be soldered or sweated, keep the heat source at least 6 inches (152.4 mm) away from the dishwasher.

Water Supply Shut Off Valve

Install an easily accessible shut-off valve (not supplied) in the hot water supply line, as shown in **Figure 7**. All solder connections must be made before the water line is connected to the dishwasher.

Connecting the Hot Water Supply

There are two plastic corrugated hoses that exit the back of the dishwasher. The larger hose, with the brass fitting on the end, is the water supply hose to the dishwasher (the other hose is the dishwasher drain hose). You will need a 3" x 1³/₄" (76 x 45mm) opening through the cabinet to pass the dishwasher water supply line through toward the shut off valve.

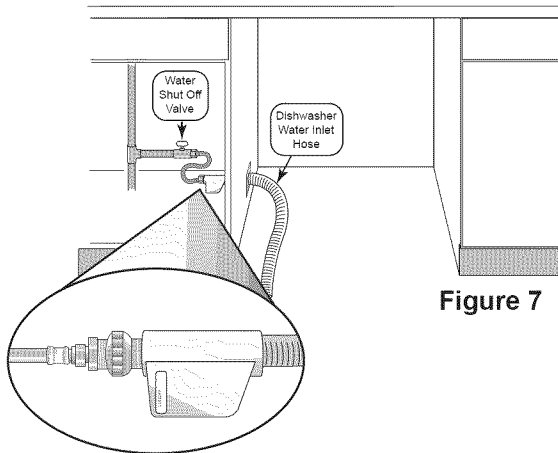


Figure 7

To connect the hot water supply:

1. Assemble the water supply adaptor fitting from the parts bag onto the dishwasher water supply hose. This connection does not require Teflon brand tape.
2. Pass the dishwasher water supply line with attached adaptor through the opening toward the water shut off valve. Take care not to allow the hose to kink or twist behind the dishwasher.
3. Connect the dishwasher water supply line with adaptor to the water shut off valve. You will need to use an approved dishwasher water supply line with the correct fittings for this connection. Always use the appropriate seal when making plumbing connections.

NOTE: The end of the dishwasher water inlet hose is heavy and will need to be supported. It is best to lay the end on the cabinet floor as shown in **Figure 7**.

4. After all connections are made, turn on the hot water and check for leaks.

Drain Connections

The dishwasher drain hose may be connected to the household or field drain plumbing in one of four ways. You will need a 1¹/₄" diameter hole in order to pass the drain hose through the cabinet.

1. Directly to the undersink dishwasher drain connection, as shown in **Figure 8**.
2. Directly to a disposer dishwasher drain connection, as shown in **Figure 9**.
3. To the undersink dishwasher drain connection through an air gap, as shown in **Figure 10**.
4. To a disposer dishwasher drain connection through an air gap, as shown on **Figure 11**.

IMPORTANT NOTES:

- If local ordinance require an air gap, install it according to the manufacturer's instructions.
- If the dishwasher drain hose is to be connected to a disposer dishwasher drain connection, remove the plug from the disposer's dishwasher drain connection.
- The dishwasher drain hose must have one place along its length that is securely attached 20 inches above the cabinet floor.
- The drain hose length can be extended if necessary. The maximum length of the drain hose, including the hose leading to the air gap, is 150 inches.

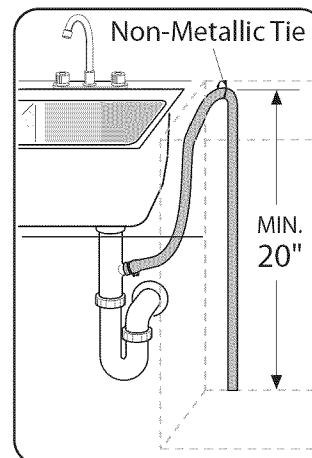


Figure 8

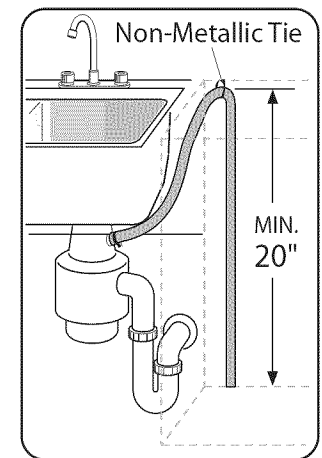


Figure 9

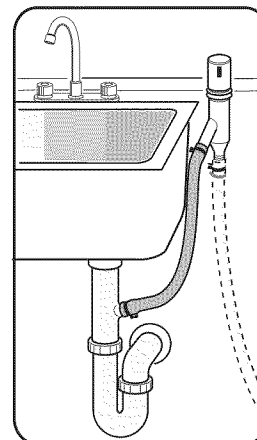


Figure 10

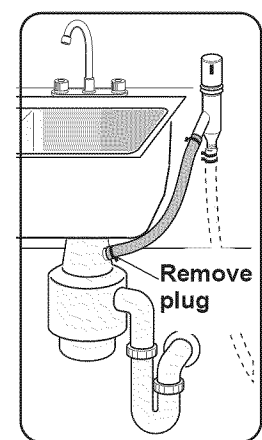


Figure 11

Installation of Rubber Drain Hose Adaptor

For a large port, use the drain hose as it is.

1. For a small port, insert the rubber drain hose adaptor into the drain hose end.
2. Obtain the Rubber Drain Hose Adaptor spring clamp from the Dishwasher Installation Kit (**do not substitute**).
3. Insert the dishwasher drain hose into the **end of the drain hose** (see Figure 12). Be sure to fully insert the drain hose.
4. Use the clamp provided to attach the Rubber Drain Hose Adaptor to the house plumbing

Figure 12

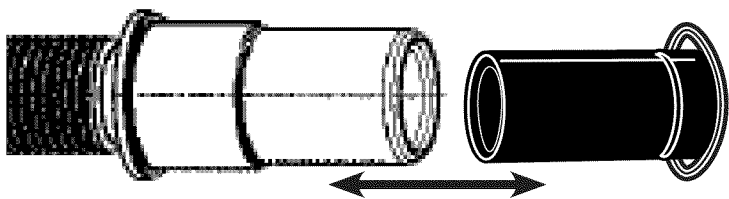
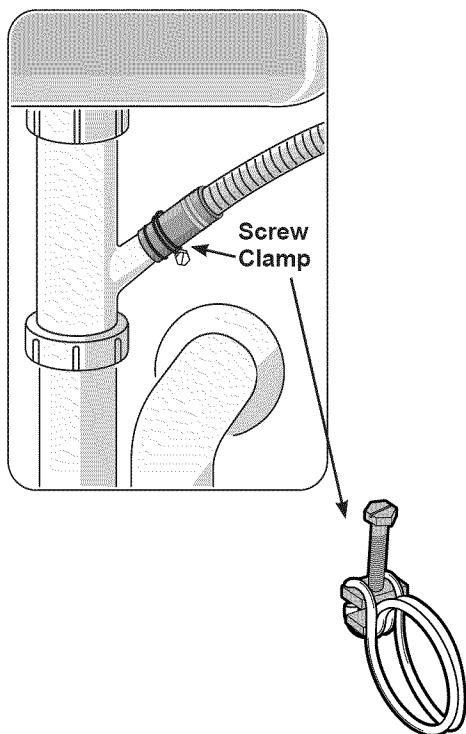


Figure 13



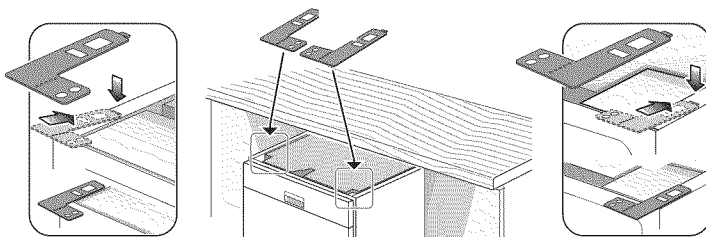
Installation of Mounting Brackets

CAUTION

Before installing the supplied countertop mounting brackets, decide which method of securing the dishwasher into its enclosure will be used. Once the mounting brackets are installed on the dishwasher, removing them is difficult and will damage the mounting brackets and the dishwasher.

The dishwasher can be secured into its enclosure in two ways:

1. **Top Mount** is used for countertops made of wood or other materials that can easily drilled. Orient the mounting brackets as shown in Figure 14, and position the two small tabs on the mounting brackets over the two slots on the dishwasher's front corners. Push the mounting brackets down firmly to insert the tabs into the slots.



Top Mount
Figure 14

1. **Side Mount** is used for countertops made of marble, granite, or other very hard materials that cannot be easily drilled. Bend the mounting brackets along the small holes and in the same direction as the two small tabs. Orient the mounting brackets as shown in Figure 15, and position the two small tabs on the mounting brackets over the two slots on the dishwasher's front corners. Push the mounting brackets down firmly to insert the tabs into the slots.

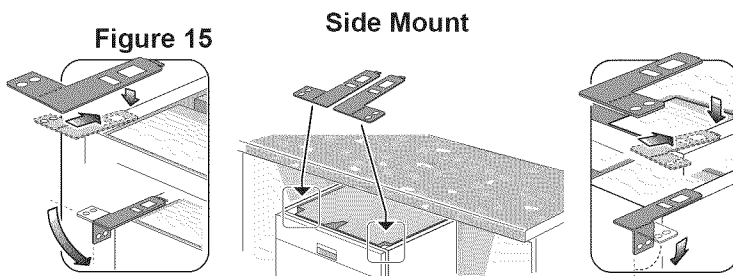


Figure 15

Side Mount

⚠ WARNING

Avoid Tip Over Hazard

Do not use the dishwasher until it is completely installed. When opening the door on an uninstalled dishwasher, carefully open the door while supporting the rear of the unit. Failure to follow this warning can result in serious injury.

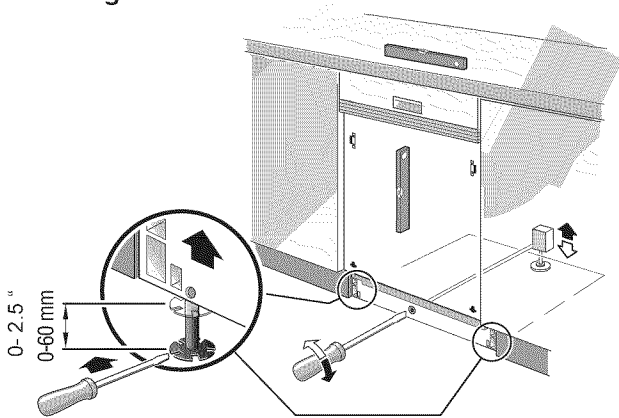
LEVELING THE DISHWASHER

The unit should now be ready to slide into the cabinet opening. To avoid scratching the floor, use floor protection and caution when sliding the dishwasher into the cabinet. Make sure that the hoses and cords do not bunch up behind the unit or kink as you slide the unit back. Make certain to slide the unit into place before raising the leg levelers.

Level the dishwasher horizontally by turning feet clockwise to raise or counter-clockwise to lower front of the unit.

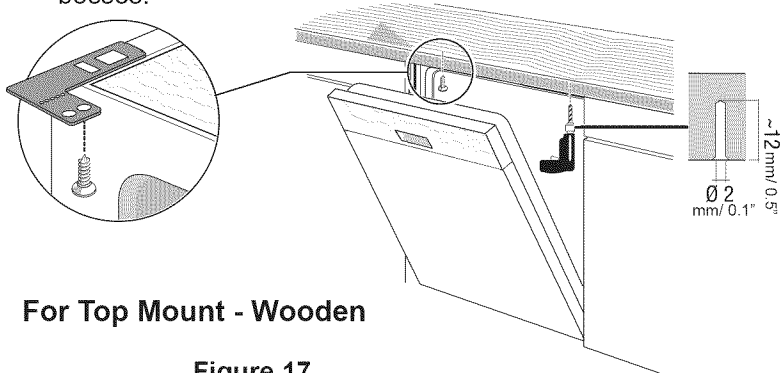
Level the dishwasher vertically by turning center screw to raise or lower the back.

Figure 16



SECURING THE DISHWASHER

1. Drive the mounting screws through the holes in the mounting brackets as shown for Top or Side Mount.
2. After the unit is installed in the enclosure, leveled and secured, lock the two front leg levelers in place by driving the enclosed leg leveler locking screws into each screw boss located in front of the levelers. See Figure 18.
3. Tighten screws until they are flush with the surface of the bosses.



For Top Mount - Wooden

Figure 17

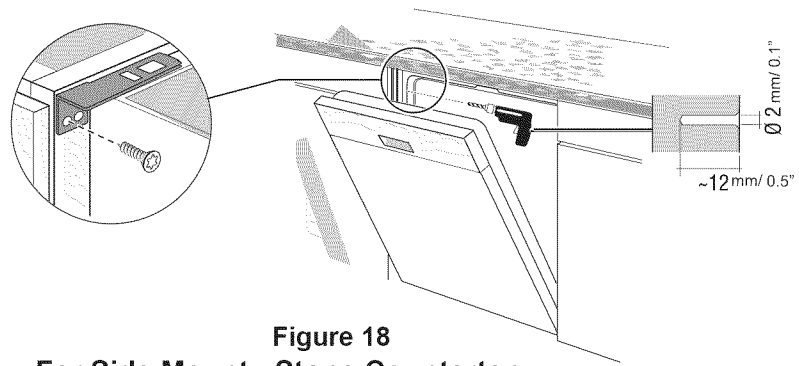


Figure 18
For Side Mount - Stone Countertop

Attaching the Toe Panel

Your dishwasher comes with a three-piece toe panel(select models) to allow height adjustment.

1. Position the slotted rear toe panel on the dishwasher first. Allow it to rest on the floor.
2. Position the mating front toe panel on top of the rear toe panel allowing the angled edge to rest on the mating edge of the dishwasher.
3. Drive the two black screws (included) through the hole in the toe panel to secure. Use the supplied screws to avoid damaging the dishwasher. See Figure 19.
4. For models with outer toe panel (3rd piece) slide the brackets (A) provided, into the slots of the toe panel you just attached.

NOTE: Once you determine the correct position for the brackets , remove the bracket and bend the metal tab. See Figure 20. This ensures that the toe panel wont slide in further than you need.

5. Re-insert the brackets.
6. Attach the outer toe panel (L) onto the brackets and drive the screws provided in place to secure the toe panel.

NOTE: The rubber piece should remain behind the outer toe panel.

Figure 19

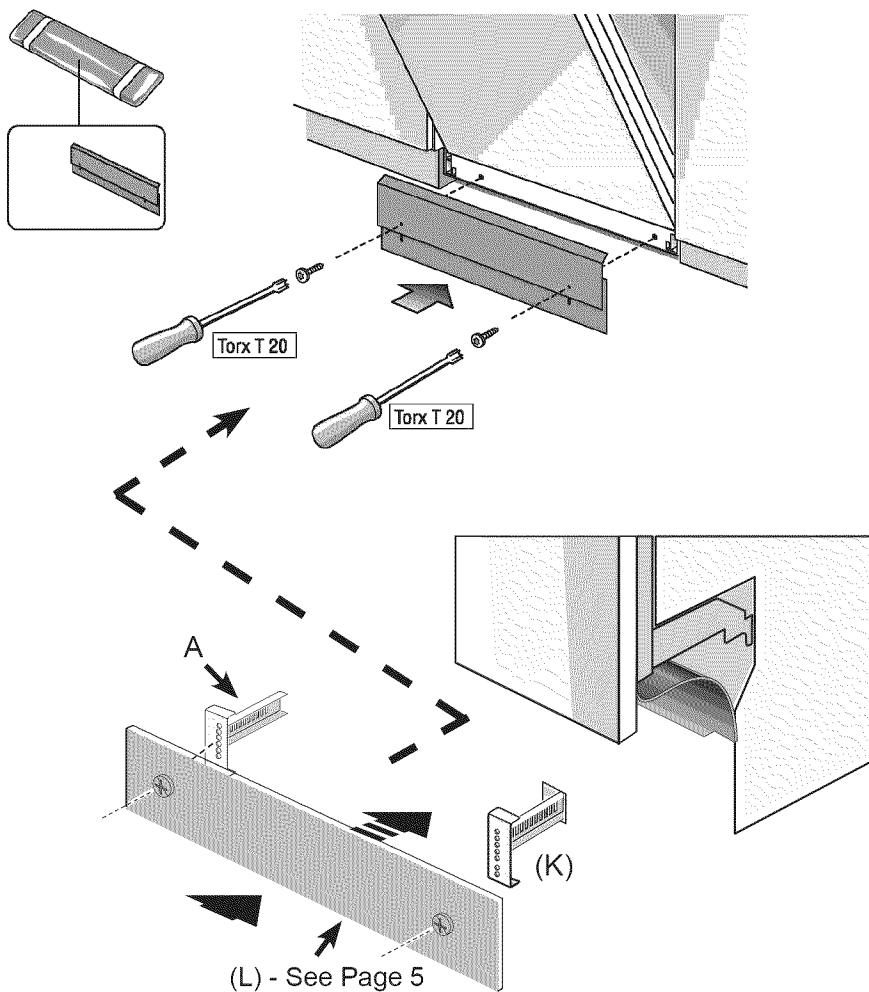
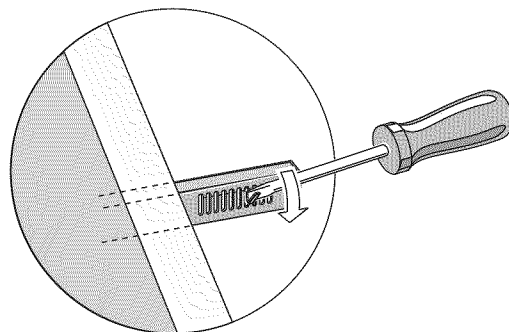


Figure 20



Customer Service

Your dishwasher requires no special care other than that described in the Care and Maintenance section of the Use and Care Manual. If you are having a problem with your dishwasher, before calling for service please refer to the Self Help section in the Use and Care Manual. If service is necessary, contact your dealer or installer or an authorized service center.

Do not attempt to repair the appliance yourself. Any work performed by unauthorized personnel may void the warranty. If you are having a problem with your dishwasher and are not pleased with the service you have received, please take the following steps (in the order listed below) until the problem is corrected to your satisfaction:

1. Contact your installer or the Authorized Service Contractor in your area.
2. E-mail us. See your Use and Care Manual for instructions.
3. Write us at the address below:
BSH Home Appliances, Corp.
5551 McFadden Avenue
Huntington Beach, CA 92649
4. Call us at the Customer Service phone number :
1-800-944-2904

Please be sure to include (if you are writing), or have available (if you are calling), the following information:

- Model number
- Serial number
- Date of original purchase
- Date the problem originated
- Explanation of the problem
- Daytime phone number where you can be reached.

Please make a copy of your invoice and keep it with this manual. The customer must show proof of purchase to obtain warranty service.



Instructions de sécurité importantes

Pour éviter tout dommage à la propriété ou des blessures **OBSERVER TOUS LES AVERTISSEMENTS.**

Ces instructions sont destinées à l'utilisation par un installateur qualifié seulement. Ce lave-vaisselle doit être installé par un technicien ou un installateur qualifié seulement.

- En plus de ces instructions, le lave-vaisselle doit être installé conformément aux codes et réglementations électriques et de plomberie (nationaux et locaux).

Lire et observer attentivement toutes les instructions d'installation. Ceci permettra d'économiser temps et argent tout en assurant la sécurité et un rendement optimum du lave-vaisselle.

IMPORTANT

- Le tuyau de drainage du lave-vaisselle doit être installé avec une portion à au moins 20 po (508 mm) au-dessus du plancher d'armoire, autrement le lave-vaisselle ne pourra drainer adéquatement.
- Ce lave-vaisselle est destiné à un usage résidentiel seulement et non pour un usage commercial.
- **NOUVELLE INSTALLATION** – s'il s'agit d'une nouvelle installation, tout le travail de construction doit être fait avant d'installer le lave-vaisselle.
- **REMPACEMENT** – dans ce cas, vérifier si les connexions existantes sont compatibles avec celle du nouveau lave-vaisselle et remplacer les pièces au besoin.
- Cet appareil est conforme aux normes CAN/CSA-C22,2 n°167/UL 749. Il incombe à l'installateur et au propriétaire de déterminer si des exigences additionnelles s'appliquent à l'installation spécifique.
- N'est pas destiné à une utilisation à l'extérieur.

Vérifier le lave-vaisselle

Après avoir déballé l'appareil et avant l'installation, s'assurer qu'il n'y a pas de dommages esthétiques ou causés pendant le transport. Rapporter tout dommage immédiatement. Les dommages esthétiques doivent être rapportés dans un délai de 30 jours suivant l'installation.

REMARQUE : ne pas jeter les sacs ni l'emballage tant que l'installation n'est pas complétée.

AVERTISSEMENT

Risques d'ordre général

Ne pas utiliser le lave-vaisselle avant que l'installation ne soit complètement terminée. Pour ouvrir la porte d'un lave-vaisselle encore non installé, il faut le faire soigneusement en soutenant l'arrière du lave-vaisselle. Le lave-vaisselle peut en effet tomber en avant si cet avertissement n'est pas respecté et cela peut causer de graves dégâts.

Avant l'installation des fixations en forme de « L » (pour certains modèles), il faut choisir la méthode qui sera utilisée pour l'ouverture du lave-vaisselle. Une fois que ces fixations sont installées sur le lave-vaisselle, il est difficile de les retirer et cela risque d'endommager les fixations et le lave-vaisselle.

Sous certaines conditions, le système d'eau chaude peut émettre du gaz hydrogène si le lave-vaisselle n'a pas été utilisé pendant plusieurs semaines. Le gaz hydrogène est un gaz explosif. Avant de refaire fonctionner le lave-vaisselle après une longue période, faire couler l'eau du robinet le plus proche dans une zone bien ventilée jusqu'à ce qu'il n'y ait plus aucun bruit de gaz ou toute autre preuve de sa présence.

Les températures nécessaires pour souder et exsuder risquent d'endommager la base et la soupape d'admission d'eau du lave-vaisselle. Si la tuyauterie a besoin d'une soudure ou d'une exsudation, placer la source de chaleur à au moins 6 po (152,4 mm) de la base et de la soupape d'admission d'eau du lave-vaisselle.

Vouloir retirer un des couvercles ou vouloir déplacer le lave-vaisselle de son emplacement peut endommager les tuyaux d'eau chaude et l'alimentation électrique. Effectuer ces manipulations avec soin.



Risques d'électrocution et d'incendie

Les câbles électriques et les tuyaux d'alimentation en eau ne doivent pas être en contact. Des conduits indépendants sont prévus à cet effet sous le lave-vaisselle.

Effectuer des travaux électriques lorsque le courant est ouvert peut provoquer des blessures graves ou la mort. Seul un électricien qualifié peut réaliser des manipulations électriques. N'effectuer aucune manipulation électrique sur le lave-vaisselle tant que le courant n'est pas clairement hors tension.

S'assurer que les travaux électriques soient

correctement réalisés. Il ne doit y avoir aucun câble électrique mal fixé et aucun raccordement électrique mal réalisé.

Le client à la responsabilité de vérifier que l'installation électrique du lave-vaisselle soit conforme aux normes électriques nationales et régionales. Le lave-vaisselle a été conçu pour fonctionner avec une alimentation électrique de 120V, 60Hz, c.a., et doit être branché à un circuit électrique adapté au lave-vaisselle correctement relié à la terre et protégé par un fusible de 15 ampères. Les conducteurs électriques doivent être composés de fils en cuivre n°14 AWG minimum ayant une résistance thermique minimale de 75°C (167°F).

Ce lave-vaisselle doit être relié à la terre soit en le connectant au support métallique qui est relié à la terre soit en branchant la prise du terre du lave-vaisselle à une prise de courant appropriée, elle-même reliée à la terre. Ne pas utiliser de rallonge.



Risques de brûlure

Ne pas effectuer de travaux de plomberie sur un tuyau rempli d'eau chaude. Il y a des risques de blessures graves. Seul un plombier qualifié peut réaliser des manipulations de plomberie. N'effectuer aucun travail de plomberie sur le lave-vaisselle tant que l'arrivée d'eau chaude n'est pas clairement fermée.

Ne pas serrer trop fort le coude de 90°. Cela peut endommager la soupape d'admission d'eau et provoquer une fuite de l'eau.

Les températures nécessaires pour souder et exsuder risquent d'endommager la soupape d'admission d'eau du lave-vaisselle. Si la tuyauterie a besoin d'une soudure ou d'une exsudation, placer la source de chaleur à au moins 6 pouces (152,4 mm) de la soupape d'admission d'eau du lave-vaisselle.

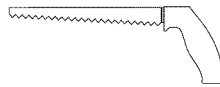
Il est nécessaire de vérifier les normes relatives aux travaux de plomberie pour toute installation. Tout travail de plomberie doit être conforme avec les normes nationales et régionales.

Ces instructions sont relatives à une méthode d'installation utilisant des tuyaux d'alimentation en acier inoxydable tressé et des tuyaux d'eau chaude PEX. Si la tuyauterie est en cuivre, ou tout autre matériau, pour l'alimentation en eau, il faut faire appel à un plombier qualifié pour une installation appropriée.

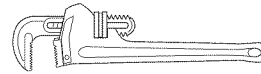
Outils et matériaux nécessaires



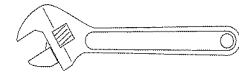
Marteau



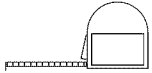
Scie-cloche



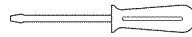
Clé à tuyau



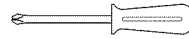
Clé réglable



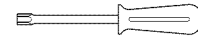
Ruban à mesurer



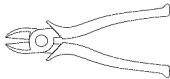
Tournevis à
lame plate



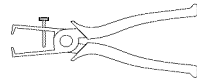
Tournevis Phillips



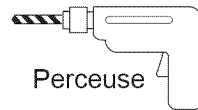
Tournevis T-20



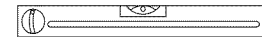
Coupe-fil






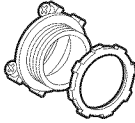
Outil à dé-
nuder



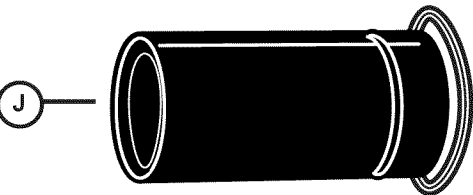
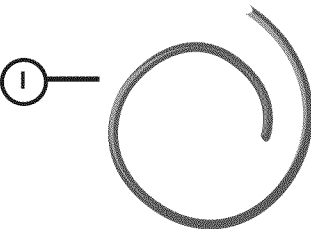
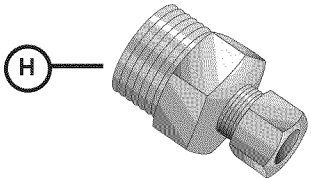
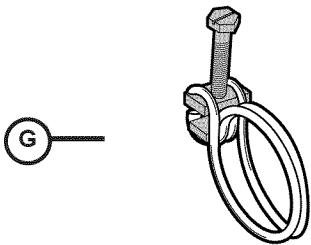
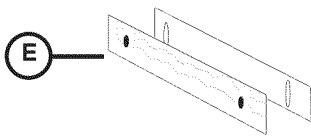
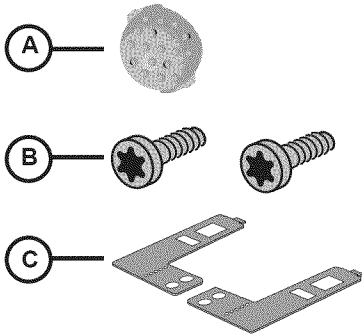
Perceuse



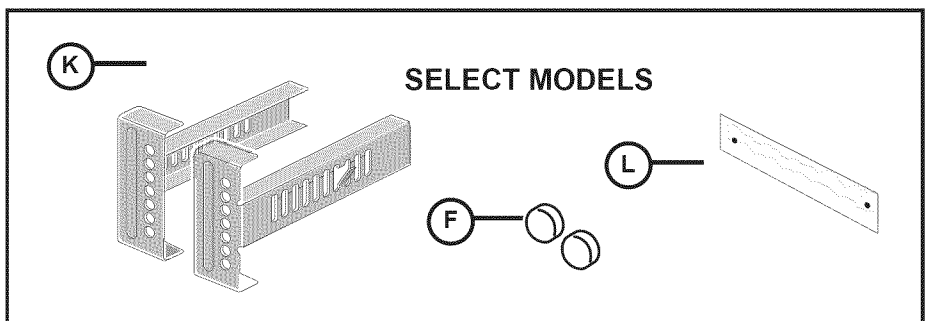
Niveau

	<p>Câble d'alimentation électrique – minimum #14AWG, 2 conducteurs, 1 mise à la terre, conducteurs en cuivre isolés coté 75 °C ou plus</p>
	<p>Canalisation d'alimentation en eau chaude – tube en cuivre ou en métal tressé D.E. 3/8 po maximum</p>
	<p>Soupape d'arrêt et raccords appropriés pour la canalisation d'alimentation en eau chaude (tube en cuivre, raccord de compression ou tuyau tressé)</p>
	<p>Connecteur de conduit ou réducteur listés UL, même si un réducteur est inclus avec la boîte de jonction, un autre réducteur peut être nécessaire si l'on fixe le câblage d'excitation directement sur le bloc de bornes.</p>

Materials Supplied



A	Bras gicleur pour grands articles
B	Vis du panneau inférieur
C	Fixations
D	Vis de fixations
E	Panneau inférieur
F	Vis du panneau inférieur
G	Pince à ressort (pour tuyau)
H	Raccord adaptateur pour alimentation en eau
I	Rondelle de protection flexible pour fil électrique
J	Fixations pour panneau inférieur
K	Crochet et bande attache
L	Panneau inférieur extérieur



Exigence d'emplacement

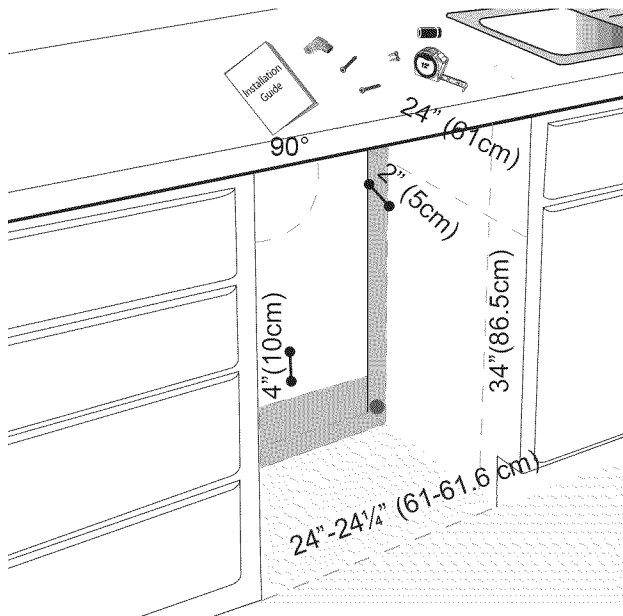
⚠ WARNING

Éviter les brûlures et les chocs électriques.
S'assurer que les alimentations en eau et électrique
sont fermées avant d'effectuer l'installation ou le
service

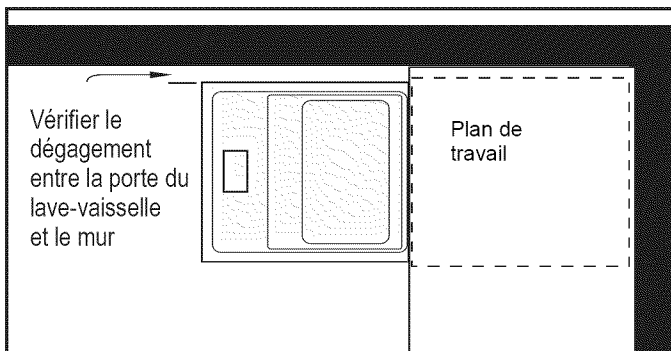
REMARQUE : cet appareil est conçu pour être encastré sur le dessus et les côtés par des armoires de cuisine résidentielle standard.

Choisir un emplacement aussi près que possible de l'évier pour un accès aisé à l'alimentation en eau et au tuyau de drainage.

Pour une apparence et un fonctionnement appropriés du lave-vaisselle, s'assurer que l'espace est d'équerre et a les dimensions indiquées à la figure 1..



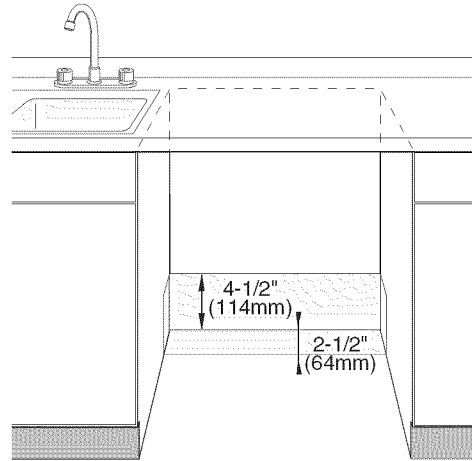
Si l'appareil est installé dans un coin, s'assurer qu'il y a un dégagement suffisant pour ouvrir la porte, figure 2.



⚠ WARNING

Pour éviter le risque de choc électrique et
d'incendie
Ne pas laisser les canalisations d'alimentation
électrique et en eau entrer en contact.

Après avoir trouvé l'emplacement pour l'appareil, il faut faire les ouvertures nécessaires pour les canalisations en eau, électrique et de drainage. Afin d'éviter toute interférence au moment d'insérer le lave-vaisselle, faire les ouvertures selon les dimensions données à la figure 3.

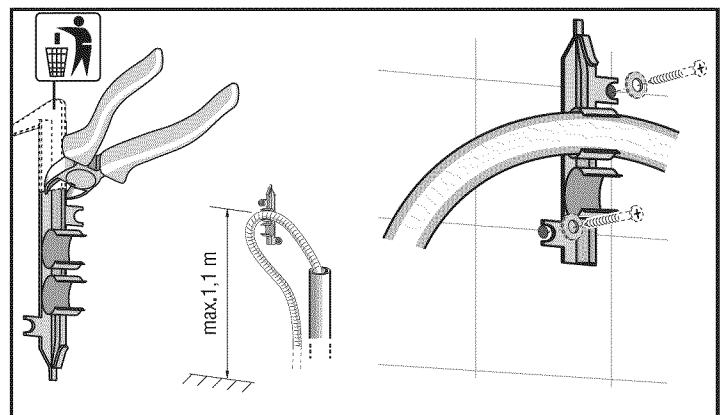


Ouverture requise:

- 4 1/4" x 2" (108 x 52mm) - Pour passer la boîte de jonction comprise par une armoire adjacente
- 3" x 1 3/4" (100 x 50mm) - Pour passer la canalisation d'alimentation en eau
- 1 1/4" (32mm) diameter - Pour passer le tuyau de drainage vers la connexion du drain

REMARQUE : si l'alimentation électrique, celle de l'eau et les connexions de drain sont toutes dans la même armoire, l'ouverture de 4 1/4 x 2 po (108 x 52 mm) sera suffisamment large pour les trois.

Avant d'insérer le lave-vaisselle en place, enlever la pince du tuyau à l'arrière du lave-vaisselle, tel qu'il est indiqué ci-dessous et la jeter.



PRÉPARATION ÉLECTRIQUE

⚠ WARNING

Éviter les chocs électriques

Ne pas travailler avec un circuit sous tension. Cela peut causer de sérieuses blessures ou la mort. Seul un électricien qualifié peut effectuer le travail électrique. Ne pas tenter de travailler sur le lave-vaisselle tant que le circuit électrique n'est pas coupé.

⚠ WARNING

Éviter les risques d'incendie

S'assurer que l'alimentation électrique est adéquatement installée. Seul un électricien qualifié peut effectuer le travail.

Alimentation électrique

Le consommateur est responsable afin de s'assurer que l'installation électrique du lave-vaisselle est conforme aux codes électriques locaux et nationaux. Le lave-vaisselle est conçu pour une alimentation électrique de 120V, 60Hz, c.a., branché sur un circuit électrique mis à la terre adéquatement et dédié à l'appareil, avec un fusible ou un disjoncteur coté 15 ampères. Les conducteurs électriques doivent être un minimum de #14 AWG, fil de cuivre coté pour 75 °C (167 °F) ou plus.

⚠ WARNING

Éviter les risques d'incendie

S'assurer que les connexions électriques ne sont pas lâches et qu'elles sont adéquatement branchées.

Instructions de mise à la terre

L'appareil doit être adéquatement mis à la terre avant de le faire fonctionner. Cet appareil doit être branché sur un système de câblage permanent en métal, mis à la terre ou un conducteur de mise à la terre d'équipement doit être branché sur la borne de mise à la terre d'équipement ou le fil du lave-vaisselle. S'assurer que le lave-vaisselle est branché sur une mise à la terre appropriée conformément à tous les codes ou en l'absence de codes locaux, avec le CODE NATIONAL D'ÉLECTRICITÉ aux É.-U. ou le CODE D'ÉLECTRICITÉ DU CANADA, C22,1, dernière édition au Canada ainsi qu'aux codes locaux, municipaux, provinciaux qui s'appliquent.

Cote électrique du lave-vaisselle

Volts	Hertz	Amperes	Watts
120	60	12	1,300 (max)

Connexion électrique

La boîte de jonction d'alimentation électrique du vaisselle et la prise dédiée doivent être installées dans une armoire adjacente au lave-vaisselle (ne pas les installer derrière l'appareil). Il faut une ouverture de 4 1/4 x 2 po (108 x 51 mm). Si l'ouverture est faite dans le bois, sabler le rebord ; si dans le métal, utiliser la rondelle de protection ou autre méthode approuvée pour protéger le câblage de tout dommage. Utiliser les 4 vis comprises (ou attaches appropriées) du sac de pièces pour fixer la boîte de jonction afin qu'elle soit accessible (figure 4). L'alimentation électrique peut être branchée de deux façons :

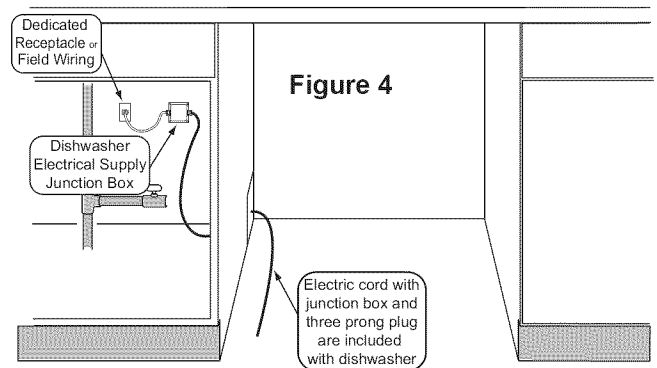
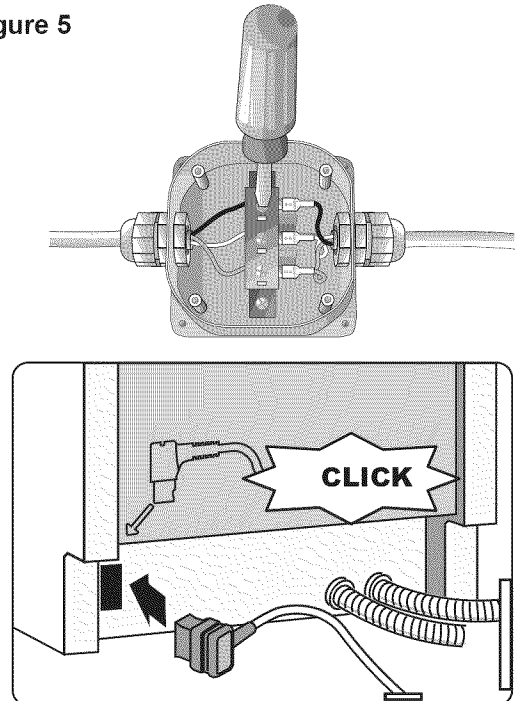


Figure 5

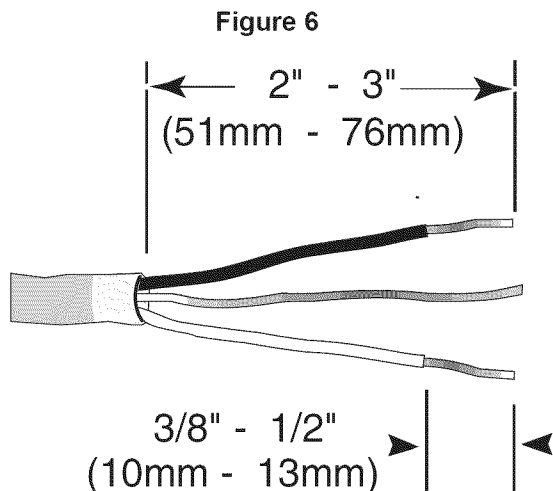


Méthode A - fiche à 3 broches et prise

Utiliser la fiche à 3 broches et la boîte de jonction comprise pour brancher sur une prise résidentielle dédiée. S'assurer que la prise résidentielle répond aux exigences d'alimentation électrique ainsi qu'aux codes nationaux et locaux (figure 4).

Pour brancher de façon permanente au câblage résidentiel :

1. Enlever le couvercle de la boîte de jonction électrique du lave-vaisselle et débrancher le cordon fourni à fiche à 3 broches du bloc de bornes en dévissant les vis correspondantes (figure 6).



2. Remplacer le réducteur de tension sortant compris avec un réducteur approprié pour câblage électrique résidentiel.
3. Enlever 2 à 3 po (51 à 76 mm) de la gaine extérieure du câble d'alimentation, figure 5. Enlever 3/8 à 1/2 po (10 à 13 mm) de l'isolant pour chaque fil, figure 5.
4. Insérer le fil de cuivre dénudé ou vert (mise à la terre) sur la connexion G de mise à la terre "⏚" du bloc de bornes et visser en place de façon sécuritaire à la vis du bloc de bornes (figure 6).
5. Insérer le fil blanc (neutre) sur la connexion N du bloc de bornes et visser à la vis du bloc de bornes.
6. Insérer le fil noir (sous tension) sur la connexion L du bloc de bornes et visser à la vis du bloc de bornes.
7. Vérifier toutes les connexions électriques afin de s'assurer qu'elles sont bien en place, puis remettre le couvercle sur la boîte de jonction avec les 4 vis.

CONNEXION D'ENTRÉE D'EAU

Alimentation en eau chaude

Le chauffe-eau doit être réglé pour donner une eau chaude d'une température approximative de 120 °F (49 °C) pour le lave-vaisselle. Si l'eau est trop chaude, le détergent perd de son efficacité ; si elle est trop basse, la durée est prolongée. La pression de l'alimentation en eau chaude doit être entre 15 et 145 lb/po2 (1 à 10 barres).

REMARQUES IMPORTANTES:

- Si l'on utilise un joint de soudure au lieu d'un raccord à compression, s'assurer que toutes les connexions soudées sont faites avant de brancher la canalisation d'eau sur le lave-vaisselle.
- S'assurer que la canalisation en eau n'est pas coincée, pincée ni pliée ; cela obstrue le débit d'eau.
- Toujours utiliser les joints appropriés au moment de faire les connexions de plomberie.
- Avant de brancher la canalisation d'alimentation en eau sur le lave-vaisselle, faire couler l'eau de la canalisation pendant environ 5 minutes pour enlever tout objet étranger.
- Ouvrir l'alimentation en eau et vérifier s'il y a des fuites une fois les connexions terminées.

⚠ WARNING

ÉVITER LE RISQUE DE BRÛLURES

Ne pas travailler avec une canalisation d'eau chaude, il peut en résulter de sérieuses blessures. Seul un plombier qualifié peut effectuer le travail. Il faut fermer la canalisation d'eau chaude.

CAUTION

La température requise pour une soudure peut endommager le lave-vaisselle. Si la canalisation doit être soudée, garder la source de chaleur à au moins 6 po (152,4 mm) du lave-vaisselle.

⚠ WARNING

**Éviter les risques de chocs électriques
Pour éviter tout dommage à la propriété ou des blessures, faire très attention au moment d'installer ou d'enlever le lave-vaisselle afin de ne pas endommager le cordon d'alimentation.**

Soupape d'arrêt d'alimentation en eau

Installer la soupape d'arrêt facilement accessible (non fournie) sur la canalisation en eau chaude, figure 7. Toutes les connexions soudées doivent avoir été faites avant de brancher la canalisation en eau sur le lave-vaisselle.

Connexion de l'alimentation en eau chaude

Il y a deux tuyaux en plastique ondulé qui sortent de l'arrière de l'appareil. Le gros tuyau, avec raccord en laiton, à l'extrémité, est l'alimentation en eau au lave-vaisselle, (l'autre est le tuyau de drainage). Il faut une ouverture de 3 x 1 3/4 po (76 x 45 mm) dans l'armoire pour passer la canalisation vers la soupape d'arrêt.

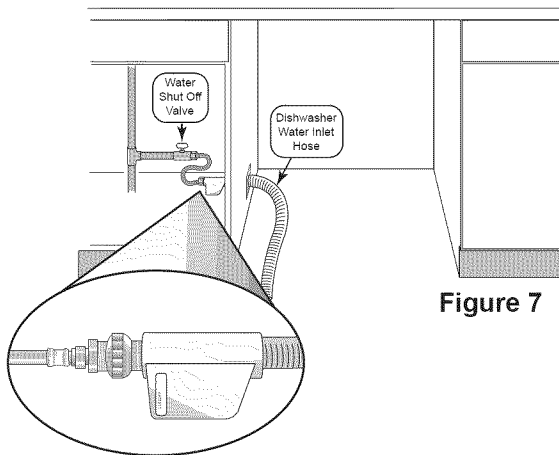


Figure 7

Pour brancher l'alimentation en eau chaude :

1. Installer le raccord adaptateur d'alimentation en eau (du sac de pièces) sur le tuyau d'alimentation en eau du lave-vaisselle (figure 7). Cette connexion ne requiert pas de ruban Téflon.
2. Passer la canalisation d'alimentation en eau du lave-vaisselle dotée de l'adaptateur par l'ouverture vers la soupape d'arrêt. Faire attention à ce que le tuyau ne se coince pas ni ne se pince derrière l'appareil.
3. Brancher la canalisation avec l'adaptateur sur la soupape d'arrêt. Il faut utiliser une canalisation d'alimentation en eau de lave-vaisselle approuvée avec un raccord approprié pour la connexion. Toujours utiliser un joint pour faire les connexions.

REMARQUE : l'extrémité du tuyau d'eau est lourde et doit être supportée. Il est préférable de la déposer sur le plancher de l'armoire, figure 7.

4. Une fois toutes les connexions faites, ouvrir l'eau chaude et vérifier s'il y a des fuites.

Connexion de drain

Le tuyau de drain peut être branché sur le drain résidentiel ou sur place, de quatre façons. Il faut une ouverture de 1 1/4 po de diamètre afin de passer le tuyau de drain dans l'armoire.

1. Directement sur la connexion du drain sous l'évier, figure 8.
2. Directement sur la connexion du drain du broyeur, figure 9.
3. Directement sur la connexion du drain sous l'évier par un intervalle d'air, figure 10.
4. Directement sur la connexion du drain du broyeur par un intervalle d'air, figure 11.

REMARQUES IMPORTANTES:

- Si les exigences locales requièrent un intervalle d'air, installer selon les instructions du fabricant.
- Si le tuyau de drain est branché sur la connexion du drain du broyeur, enlever la fiche de la connexion du drain du broyeur.
- Le tuyau du drain du lave-vaisselle doit avoir une place le long de sa longueur qui est maintenue en place de façon sécuritaire à 20 po au-dessus du plancher de l'armoire.
- La longueur du tuyau de drain peut être allongée au besoin. La longueur maximale incluant le tuyau vers l'intervalle d'air est de 150 po.

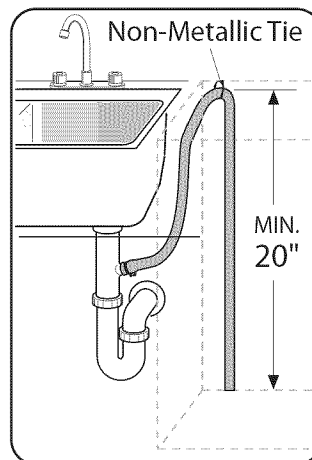


Figure 8

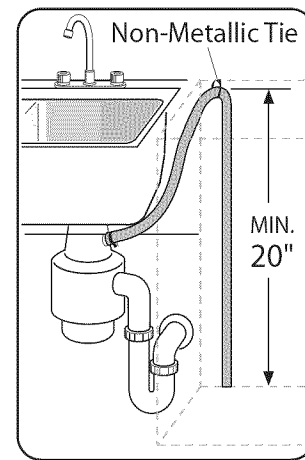


Figure 9

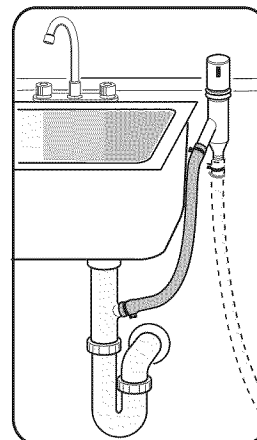


Figure 10

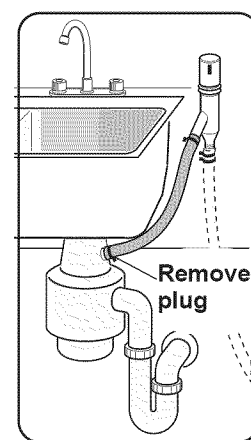


Figure 11

Installation de l'adaptateur de tuyau de drainage en caoutchouc

Pour un port large, utiliser le tuyau de drainage comme il est.

Pour un port plus petit, insérer l'adaptateur sur l'extrémité du tuyau de drainage.

Prendre la pince à ressort de l'adaptateur de tuyau de drainage en caoutchouc dans le nécessaire d'installation du lave-vaisselle (aucun substitut)

Insérer le tuyau de drainage du lave-vaisselle sur l'extrémité du tuyau de drainage (figure 12). S'assurer de bien insérer le tuyau de drainage.

Utiliser la pince fournie pour fixer l'adaptateur de tuyau de drainage en caoutchouc sur la plomberie résidentiel

Figure 12

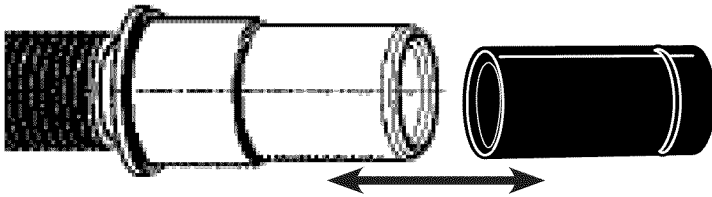
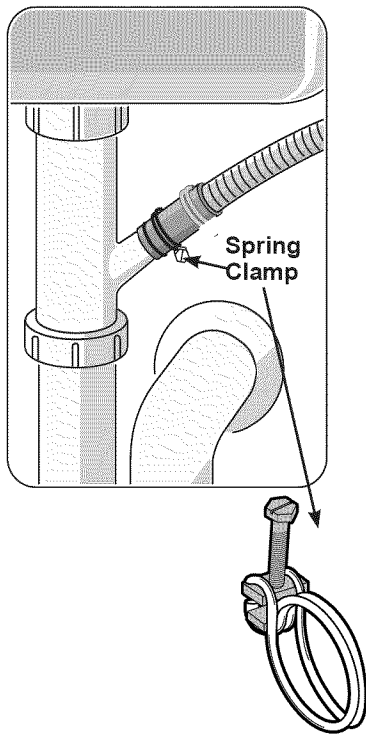


Figure 13



Installer le coude (C) du tuyau de drainage à l'arrière de l'appareil avec la pince.

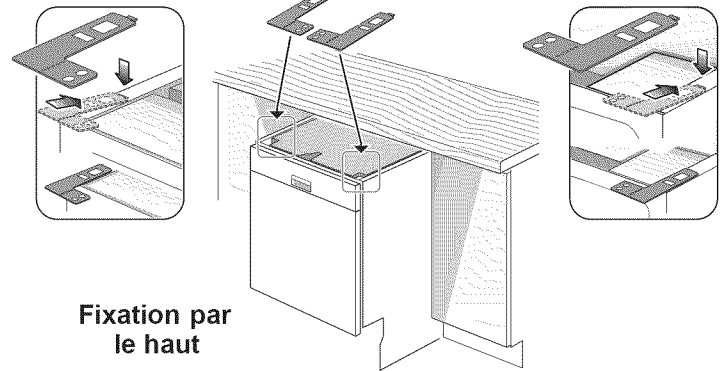
Installation des fixations

CAUTION

Avant d'installer la fixation de plan de travail fournie, décider quelle méthode de fixation sécuritaire du lave-vaisselle sera utilisée. Une fois les fixations installées sur l'appareil, il sera très difficile de les retirer et cela endommagera les fixations et le lave-vaisselle.

Le lave-vaisselle peut être installé de façon sécuritaire de deux façons :

- 1 La fixation en haut est utilisée pour les plans de travail fabriqués en bois ou d'autres matériaux pouvant facilement être percés. Orienter les fixations tel qu'il est illustré à la figure 14 et positionner les deux petites languettes sur la fixation sur les deux fentes sur les coins avant du lave-vaisselle. Pousser les fixations fermement pour insérer les languettes dans les fentes.



Fixation par le haut

Figure 14

1. La fixation latérale est utilisée pour les plans de travail fabriqués en marbre, granite ou autres matériaux ne pouvant être percés facilement. Plier la fixation le long des petits trous et dans le même sens que les deux petites languettes. Orienter les fixations tel qu'il est illustré à la figure 15 et positionner les deux petites languettes sur les deux trous sur les coins avant du lave-vaisselle. Pousse les fixations pour insérer les languettes sur les fentes.

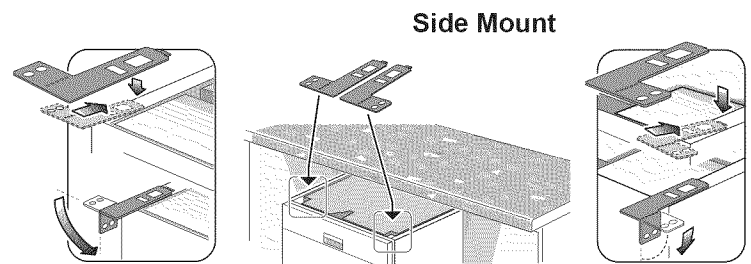


Figure 15

Side Mount

⚠ WARNING

Avoid Tip Over Hazard

Do not use the dishwasher until it is completely installed. When opening the door on an uninstalled dishwasher, carefully open the door while supporting the rear of the unit. Failure to follow this warning can result in serious injury.

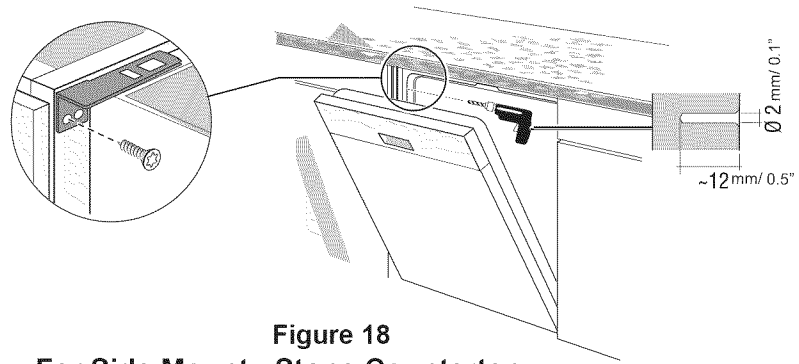
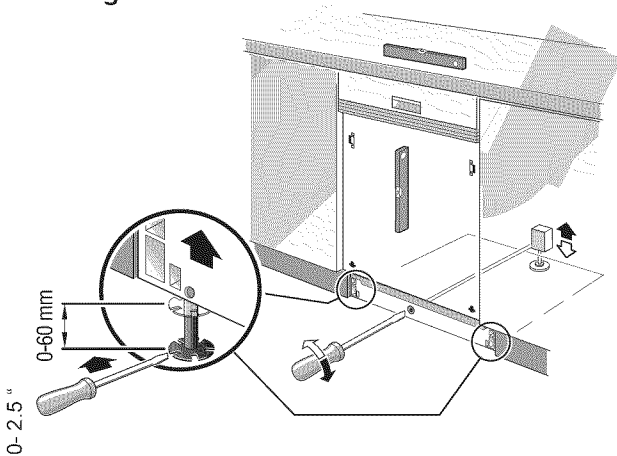


Figure 18
For Side Mount - Stone Countertop

MISE DE NIVEAU DU LAVE-VAISSELLE

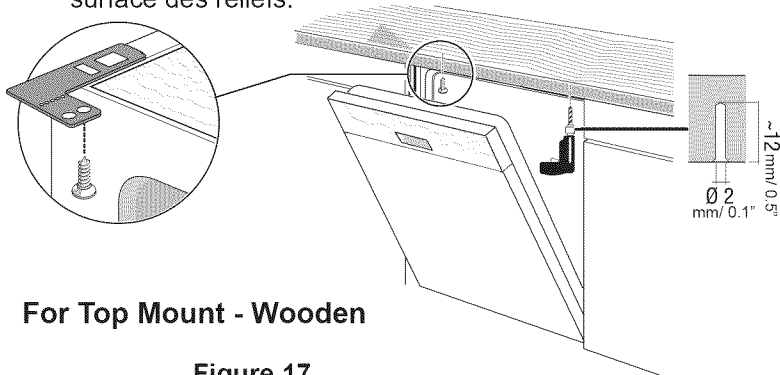
S'assurer que le lave-vaisselle est de niveau. Régler le pied niveleur arrière en tournant la vis centrale à l'avant de l'appareil, figure 16. Tourner dans le sens horaire pour monter l'arrière du lave-vaisselle. Régler les pieds niveleurs avant, figure 16. Tourner les pieds niveleurs vers la droite soulève le lave-vaisselle.

Figure 16



FIXER LE LAVE-VAISSELLE

1. Visser les vis de fixation par les trous dans les fixations, pour la fixation supérieure ou latérale.
2. Une fois l'appareil installé dans l'ouverture, mettre de niveau et fixer de façon sécuritaire. Verrouiller les deux pieds niveleurs avant en place en vissant les vis de verrouillage de pied niveleur dans chaque relief de vis à l'avant des pieds niveleurs, figure 18.
3. Serrer les vis jusqu'à ce qu'elles soient à égalité de la surface des reliefs.



For Top Mount - Wooden

Figure 17

INSTALLATION DU PANNEAU DE BASE

Ce lave-vaisselle est doté d'un panneau deux pièces pour permettre de régler la hauteur.

1. Positionner le panneau de base arrière à fentes sur le lave-vaisselle d'abord. Le laisser reposer sur le plancher.
2. Positionner le panneau avant correspondant sur le dessus du panneau arrière en laissant le bord à angle reposer sur le bord correspondant du lave-vaisselle.
3. Visser deux vis noires (fournies) par le trou dans le panneau de base pour fixer en place. Utiliser les vis fournies pour éviter d'endommager le lave-vaisselle, figure 19
4. Pour les modèles avec le panneau extérieur, faire glisser les fixations (A) fournies dans les fentes du panneau inférieur que l'on vient d'installer.

REMARQUE : une fois la position des fixations déterminée, enlever la fixation et plier la languette en métal. Voir figure 20. Ceci permet de s'assurer que le panneau inférieur ne glissera pas plus loin que nécessaire.

5. Remettre les fixations.
6. Attacher le panneau inférieur extérieur sur les fixations et insérer les vis fournies pour bien maintenir le panneau inférieur.

REMARQUE : la pièce en caoutchouc doit demeurer derrière le panneau inférieur extérieur

Figure 20

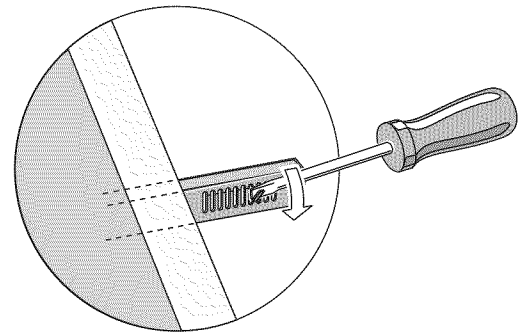
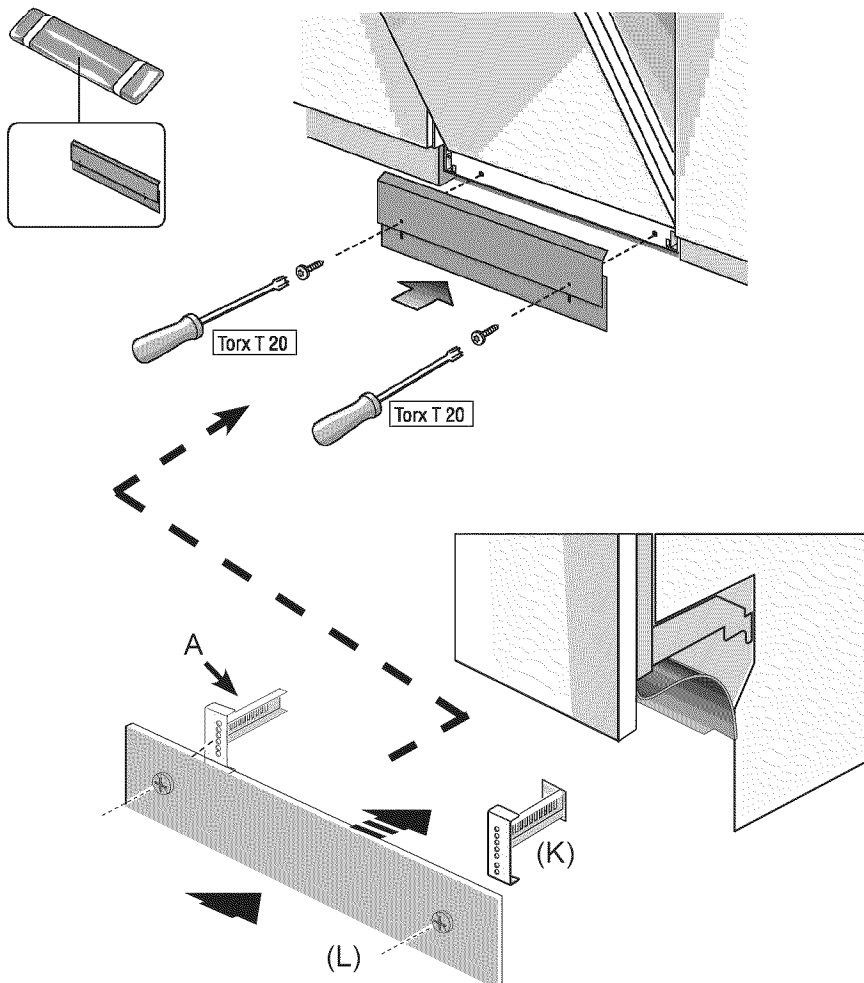


Figure 19



Service à la Clientèle

Ce lave-vaisselle ne requiert aucun entretien spécial autre que ce qui est décrit dans la section Entretien de le guide d'utilisation et d'entretien. En cas de problème avec le lave-vaisselle, avant d'effectuer un appel de service, voir la section Aide. Si un service est nécessaire, communiquer avec le marchand ou l'installateur ou un centre de service autorisé. Ne pas tenter d'effectuer soi-même la réparation. Toute réparation effectuée par un personnel non autorisé peut annuler la garantie.

Si l'on a un problème avec le lave-vaisselle et que l'on n'est pas satisfait du service reçu, prendre les mesures suivantes (dans l'ordre indiqué ci-dessous) jusqu'à ce que le problème soit corrigé :

1. Communiquer avec l'installateur ou le centre de service dans la région.
2. Envoyer un courriel. Voir le guide d'utilisation et d'entretien pour les instructions.
3. Écrire à :
BSH Home Appliances, Corp.
5551 McFadden Avenue
Huntington Beach, CA 92649
4. Téléphoner au service à la clientèle au numéro:
1-800-944-2904

S'assurer d'inclure (par écrit) ou avoir sous la main (par téléphone) l'information suivante :

- Numéro de modèle
- Numéro de série
- Date d'achat d'origine
- Date du début du problème
- Explication du problème

Les numéros de modèle et de série sont situés sur la plaque signalétique, bord droit de la porte du lave-vaisselle.

De plus, si par écrit, inclure un numéro de téléphone pendant la journée.

Faire une copie de la facture et la conserver dans ce guide. Le consommateur doit fournir une preuve d'achat pour obtenir un service sous garantie.



Instrucciones Importantes de Seguridad

Para evitar posibles lesiones o daños a la propiedad, **OBSERVE TODAS LAS ADVERTENCIAS Y PRECAUCIONES.**

Solamente instaladores calificados deben utilizar estas instrucciones. Un instalador o un técnico de servicio calificado debe instalar esta lavadora de platos.

- La lavadora de platos debe ser instalada de acuerdo a estas instrucciones así como en cumplimiento con todos los códigos y reglamentos eléctricos y de fontanería (tanto nacional como local).

Lea estas instrucciones de instalación completamente y obsérvelas cuidadosamente. Le ahorrarán tiempo y trabajo y ayudarán a asegurar un funcionamiento seguro y óptimo de la lavadora de platos.

IMPORTANTE

- Se debe instalar la manguera de desagüe con una parte de ésta al menos 20" (508mm) arriba del piso del gabinete, de lo contrario es posible que la lavadora de platos no saque toda el agua correctamente.
- Esta lavadora de platos está diseñada solamente para uso residencial en interiores y no debe ser utilizada en comercios de servicios alimenticios.
- **INSTALACION NUEVA** - Si se trata de una instalación nueva de la lavadora de platos, se debe realizar la mayor parte del trabajo antes de colocar la lavadora en su lugar.
- **REEMPLAZO** - Si la lavadora de platos está reemplazando a otra lavadora, revise las conexiones que tiene para ver si son compatibles con la nueva lavadora de platos y cambie las partes si es necesario.
- Este aparato cumple con la norma CAN/CSA-C22.2 No. 167/UL 749. Es la responsabilidad del propietario y del instalador determinar si aplican requerimientos y normas adicionales en instalaciones específicas.
- No apta para uso en exteriores.

Inspeccionar la lavadora de platos

Tras desempacar la lavadora de platos y antes de instalarla usted debe inspeccionar la lavadora cuidadosamente para ver si tiene defectos o daños visibles debido al transporte. Reporte cualquier daño inmediatamente. Se deben reportar todos los defectos cosméticos dentro de 30 días de la fecha de instalación.

NOTA: No tire bolsas o artículos incluidos con el embalaje original hasta después de terminar con toda la instalación.

ADVERTENCIA

Peligros Generales



No utilice el lavaplatos antes de que esté totalmente instalado. Cuando abra la puerta del lavaplatos antes de ser instalado, hágalo cuidadosamente mientras detiene la parte posterior de la unidad. No seguir esta advertencia puede causar que el lavaplatos se vuelque hacia delante y ocasionar una lesión grave.

Antes de instalar los soportes de montaje provistos, decida qué método para asegurar el lavaplatos será utilizado. Una vez que los soportes de montaje están instalados en el lavaplatos, es difícil quitarlos y dañará los soportes de montaje y el lavaplatos.

En ciertas condiciones, puede formarse gas de Hidrógeno en un sistema de agua caliente que no se ha utilizado por semanas. El gas de Hidrógeno es explosivo. Antes de llenar un lavaplatos con un sistema que ha estado apagado por semanas, abra el agua de un grifo próximo en un área bien ventilada hasta que no haya sonido o evidencia de gas.

Las temperaturas requeridas para soldar dañarán la base y la válvula de entrada del lavaplatos. Si las líneas de plomería van a ser soldadas, mantenga la fuente de calor por lo menos a 6 pulgadas (152,4 milímetros) de la base del lavaplatos y la válvula de entrada.

Quitar cualquier cubierta o jalar el lavaplatos fuera del gabinete puede exponer conexiones de agua caliente, corriente eléctrica y bordes o puntos filosos. Manéjese con cuidado.



Peligro de choque eléctrico e incendio.

No permita que las líneas del suministro eléctrico y de agua estén en contacto. Se proporcionan canales separados en la parte inferior del lavaplatos.

No trabaje en un circuito conectado. Hacerlo puede ocasionar una lesión seria o la muerte. Solamente los electricistas calificados deben realizar el trabajo eléctrico. No realice ningún trabajo sobre el circuito de suministro eléctrico del lavaplatos hasta estar seguro de que el circuito está desconectado.

Cerciórese de que el trabajo eléctrico esté instalado correctamente. No debe haber conexiones eléctricas sueltas. Asegúrese de que todas las conexiones eléc-

tricas están hechas correctamente.

El usuario tiene la responsabilidad de asegurarse de que la instalación eléctrica del lavaplatos cumple con todos los códigos y reglamentos eléctricos locales y nacionales. El lavaplatos ha sido diseñado para funcionar en un circuito eléctrico individual de 120 V, 60 Hz, CA con conexión a tierra, con un fusible o un disyuntor clasificado para 15 amps. Los conductores del suministro eléctrico deben ser de alambre de cobre #14 AWG como mínimo, clasificación 75° C (167° F) o mayor.

Este electrodoméstico debe ser conectado a un sistema de cableado permanente de metal con conexión a tierra o debe instalarse un conductor de puesta a tierra del equipo con los conductores del circuito y conectarlo al terminal o conductor de puesta a tierra del electrodoméstico. No utilice alargadores.



Peligro de quemaduras

No realice ningún trabajo sobre una línea de agua caliente. Podría ocasionar una lesión grave. Solamente los plomeros calificados deben realizar el trabajo de plomería. No realice ningún trabajo sobre las tuberías de suministro de agua caliente del lavaplatos hasta que usted esté seguro de que la fuente de agua caliente está cerrada.

No sobre apriete el codo de 90°. Hacerlo puede dañar la válvula de entrada del agua y causar una fuga de agua. Las temperaturas requeridas para soldar dañarán la válvula de entrada del agua del lavaplatos. Si las líneas de plomería van a ser soldadas, mantenga la fuente de calor por lo menos a 6 pulgadas (152,4 milímetros) de la válvula de entrada del agua del lavaplatos.

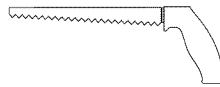
Consulte los códigos locales de plomería para conocer los procedimientos y accesorios aprobados. Todo trabajo de plomería debe hacerse de acuerdo con códigos locales y nacionales.

Estas instrucciones describen un método de instalación para mangueras de acero inoxidable trenzadas o PEX para el suministro de agua caliente. Si usa una tubería de cobre u otro material, consulte a un plomero certificado para una instalación apropiada.

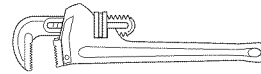
Herramientas y materiales que se necesitan



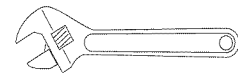
Martillo



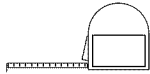
Sierra



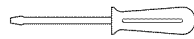
Llave para tubos



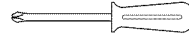
Llave ajustable



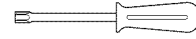
Cinta de medir



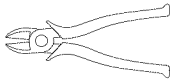
Destornillador plano



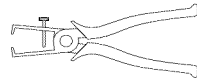
Destornillador de cruz



Destornillador T-20



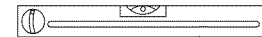
Pinzas para cortar cables






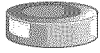
Alicates pelacables



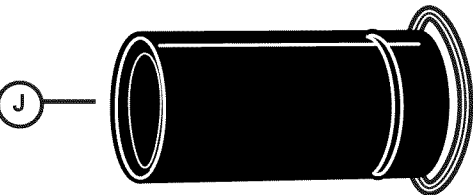
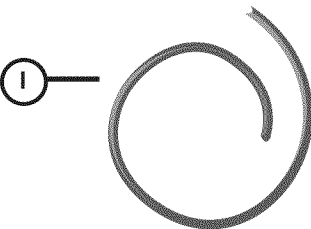
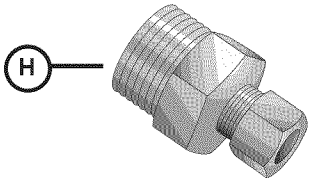
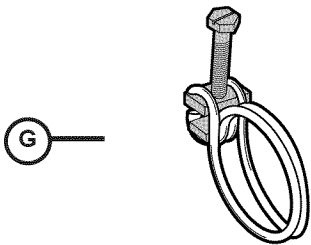
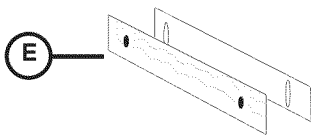
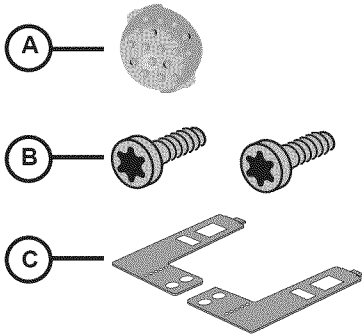
Taladro



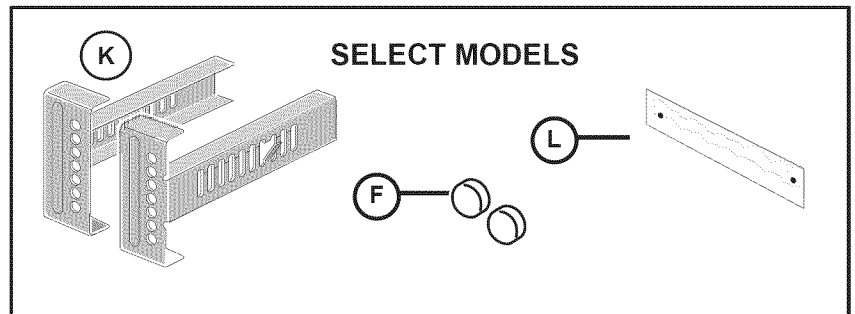
Nivel

	<p>Cable eléctrico - Mínimo #14 AWG, 2 hilos, 1 tierra, conductores aislados de cobre para temperaturas de 75°C o más altas.</p>
	<p>Tubería de suministro de agua caliente - Mínimo 3/8" D.E. de tubería de cobre o una manguera metálica trenzada para suministro de agua a la lavadora de platos.</p>
	<p>Válvula de cierre y conexiones apropiadas para la tubería de suministro de agua caliente (tubería de cobre/tubería de comprensión o manguera trenzada).</p>
	<p>Cinta de teflón u otro compuesto para rosca de tubo para sellar las conexiones de agua.</p>

Materiales incluidos



A	Rociador para artículos extra altos
B	Tornillos para el panel de pie
C	Soportes de montaje en la cubierta de trabajo
D	Tornillos para los soportes de montaje
E	Panel de pie
F	Tornillos del panel de pie
G	Abrazadera de resorte (para la manguera)
H	Conexión para el adaptador del suministro de agua
I	Arandela de protección de borde flexible para el cable eléctrico
J	Soportes de montaje para el panel de pie
K	Rubber Drain Hose Adaptor
L	Panel de pie exterior



Requerimientos para el espacio de instalación

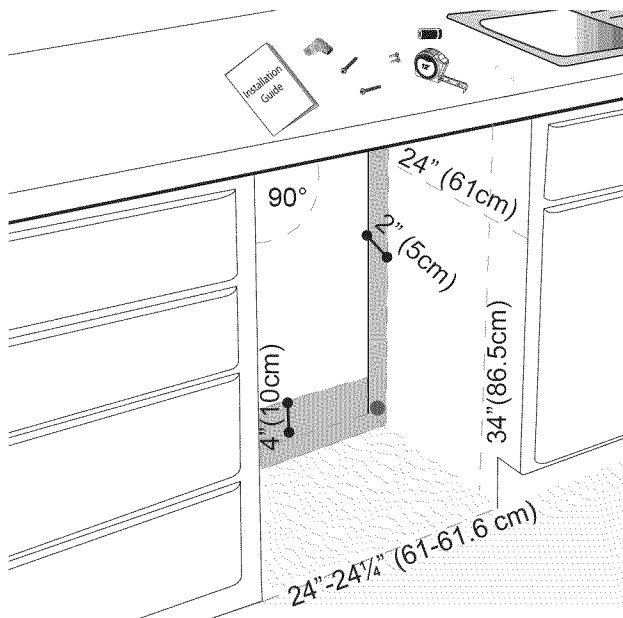
ADVERTENCIA

Evite el riesgo de escaldadura y de descarga eléctrica!
Asegúrese de apagar el suministro de agua y la alimentación eléctrica antes de realizar la instalación o dar el servicio.

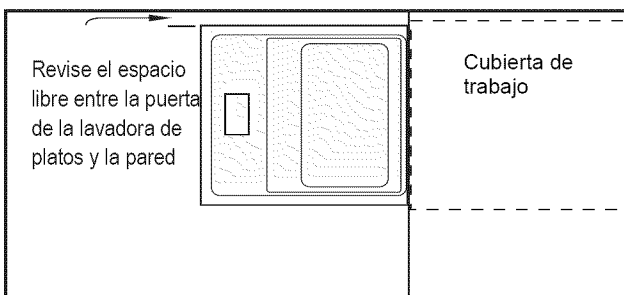
NOTA: Esta lavadora de platos se debe instalar de tal modo que quede cubierta en la parte superior y por los costados por gabinetes normales de cocina.

Seleccione un lugar lo más cerca posible al fregadero para tener fácil acceso a las tuberías de suministro de agua y el desagüe.

Para lograr un funcionamiento y una apariencia correcta de la lavadora de platos, asegúrese que el espacio de instalación esté cuadrado y que tenga las dimensiones que se muestran en la **Ilustración 1**.



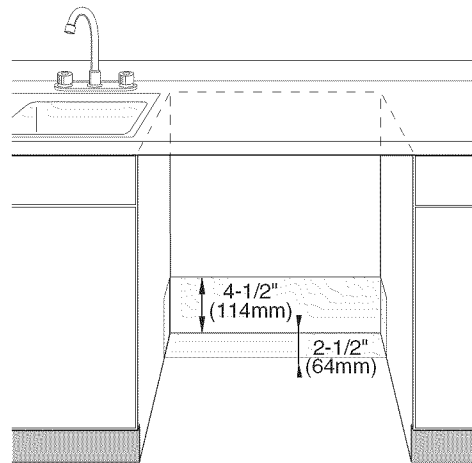
Si se va a instalar la lavadora de platos en una esquina, asegúrese que tenga el espacio adecuado para abrir la puerta. Vea la **Ilustración 2**.



ADVERTENCIA

Evite el riesgo de descarga eléctrica/fuego
No permita que se toquen las líneas eléctricas con las líneas de suministro de agua.

Después de encontrar el espacio adecuado para su nueva lavadora de platos, usted deberá hacer todas las aberturas requeridas para meter las conexiones de agua, desagüe y las conexiones eléctricas. Para evitar cualquier interferencia con la lavadora de platos al empotrarla en el espacio del gabinete, haga sus aberturas dentro de las dimensiones que se muestran en la **Ilustración 3**.

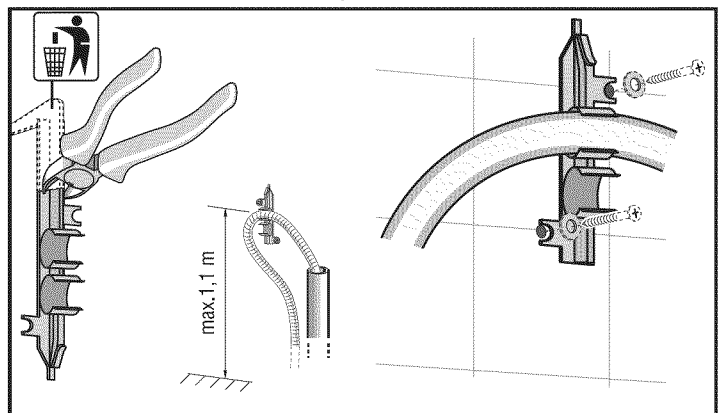


Aberturas requeridas:

- 4 1/4" x 2" (108 x 52mm) - Para meter la caja de conexiones eléctricas que se incluye y conectarla a un gabinete adjunto
- 4" x 2" (100 x 50mm) - Para meter la manguera de suministro de agua y conectarla al suministro de agua
- 1 1/4" (32mm) diameter - Para meter la manguera de desagüe de la lavadora de platos y conectarla al desagüe

NOTA: Si todas las conexiones entrantes de alimentación eléctrica, suministro de agua y desagüe se encuentran en el mismo gabinete, entonces el orificio sencillo de 4 1/4" x 2" (108 x 52mm) será suficiente para que se metan las tres conexiones.

Antes de deslizar el lavavajillas en el gabinete, quite el clip de la manguera en la parte posterior del lavaplatos, como se muestra a continuación y desechar



PREPARACION ELECTRICA

ADVERTENCIA

Evite el riesgo de descarga eléctrica
No trabaje con un circuito activado. De lo contrario podría causar lesiones serias o la muerte. Sólo técnicos calificados deben realizar trabajos eléctricos. No trate de manipular el circuito eléctrico de la lavadora de platos hasta estar seguro que el circuito no está activado.

ADVERTENCIA

Evite el riesgo de fuego
Asegúrese de instalar correctamente las conexiones eléctricas. Sólo técnicos calificados deben realizar trabajos eléctricos.

Alimentación eléctrica

Es la responsabilidad del cliente asegurar que la instalación eléctrica de la lavadora de platos cumple con todos los códigos y regulaciones eléctricas nacionales y locales. La lavadora de platos está diseñada para una fuente de alimentación de 120V, 60 Hz, AC, conectada a un circuito eléctrico correctamente aterrizado y de uso exclusivo para la lavadora con un fusible o cortacircuito de 15 amps. Los conductores de alimentación eléctrica deben ser mínimo cable de cobre con calibre #14 AWG apto para temperaturas de 75°C (167°F) o más altas.

ADVERTENCIA

Evite el riesgo de fuego
Asegúrese que no haya ninguna conexión eléctrica suelta. Asegúrese de instalar correctamente todas las conexiones eléctricas.

Instrucciones para la puesta a tierra

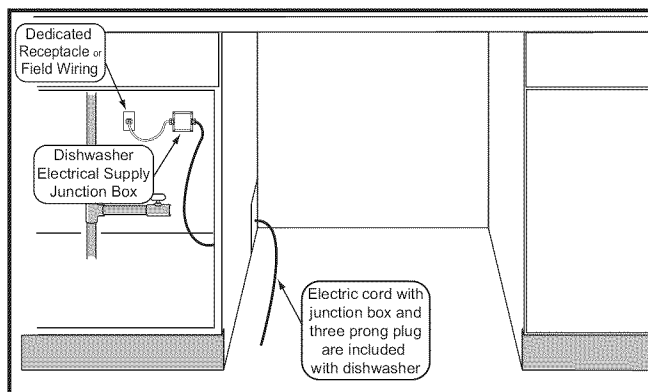
La lavadora de platos debe ser aterrizada correctamente antes de ponerla en marcha. Este aparato debe estar conectado a un sistema de tierra metálica permanente o se debe instalar un conector de tierra del equipo con los conductores de circuito y se debe conectar a la terminal de conexión a tierra del equipo o al conector de tierra de la lavadora de platos. Asegúrese de conectar la lavadora de platos a una tierra apropiada conforme a todos los códigos locales, o a falta de códigos locales, conforme al CÓDIGO ELECTRICO NACIONAL en los Estados Unidos o el CÓDIGO ELECTRICO CANADIENSE C22.1-última edición en Canadá así como cualquier código estatal, municipal o local que aplica.

Régimen eléctrico de la lavadora

Volts	Hertz	Amperes	Watts
120	60	12	1,300 (max)

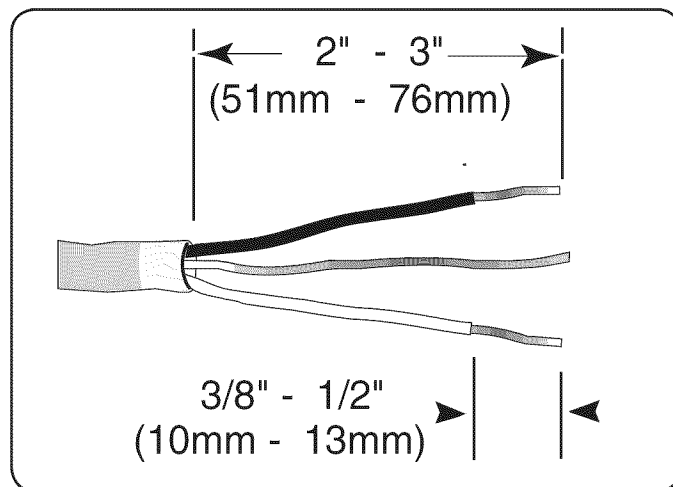
Conexión eléctrica

Se deben instalar la caja de conexiones eléctricas de la lavadora de platos y la tomacorriente dedicada dentro de un gabinete accesible junto a la lavadora de platos (no se debe instalar la caja de conexiones detrás de la lavadora de platos). Debe hacer una abertura de 4 1/4" x 2" (108 x 51mm) a través del gabinete para que quepa la caja de conexiones (vea la Ilustración 4). Si se hace la abertura a través de madera, debe lijaria bien. Si se hace la abertura a través de metal, utilice la arandela de protección que se incluye u otro método aprobado para proteger los cables de posibles daños. Use los cuatro tornillos incluidos (o sujetadores apropiados) en la bolsa de partes para fijar la caja de conexiones de modo que se tenga fácil acceso a ésta (vea la Ilustración 4). Hay dos maneras de conectar la alimentación eléctrica:



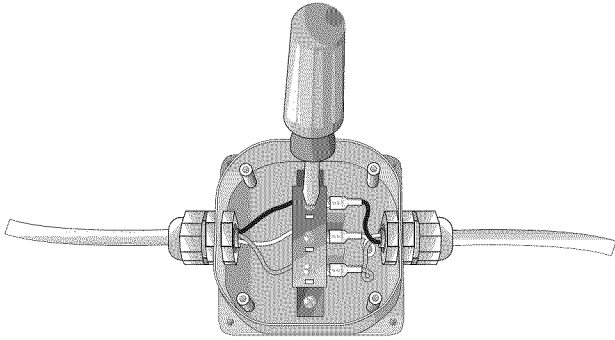
Método A - Enchufe y receptáculo de tres clavijas

Use el enchufe de tres clavijas y la caja de conexión que se incluyen para la conexión a una tomacorriente casera dedicada. Asegúrese que la tomacorriente casera cumple con todos los requerimientos de alimentación eléctrica así como con todos los códigos nacionales y locales (vea la Ilustración 6).



Pele el revestimiento externo del cable eléctrico para exponer 2.5" - 3" (65 - 76 mm) de los cables internos. Luego pele 1/2" (13 mm) del revestimiento de cada cable individual.*

Ilustración 6



Para una conexión permanente al cable casero:

1. Quite la cubierta de la caja de conexiones eléctricas de la lavadora de platos y desconecte el cable incluido con el enchufe de tres clavijas del bloque de terminales aflojando los tornillos correspondientes (vea la Ilustración 6).
2. Reemplace el prensacables que se incluye con uno apto para el cableado eléctrico casero.
3. Pele 2" a 3" (51 - 76mm) del revestimiento externo del cable eléctrico casero tal como se muestra en la Ilustración 5. Quite 3/8" a 1/2" (10 - 13mm) del aislamiento de cada cable tal como se muestra en la Ilustración 5.
4. Inserte el cable pelado de cobre o el cable verde (tierra) a la conexión de tierra "G" "⏚" del bloque de terminales y apriete el tornillo del bloque de terminales bien (vea la Ilustración 6).
5. Inserte el cable blanco (neutral) a la conexión "N" del bloque de terminales y apriete el tornillo del bloque de terminales bien.
6. Inserte el cable negro (activado) a la conexión "L" del bloque de terminales y apriete el tornillo del bloque de terminales bien.
7. Revise todas las conexiones eléctricas para asegurar que estén bien hechas y luego vuelva a poner la cubierta de la caja de conexiones fijándola con los 4 tornillos.

NOTA: Si el lavaplatos es tapado en un zócalo eléctrico, entre en contacto con el servicio de atención al cliente para pedir el kit de accesorios aprobado del cable eléctrico

ADVERTENCIA

Evite el riesgo de una descarga eléctrica. Para evitar posibles lesiones o daños a la propiedad, tenga cuidado al instalar o quitar la lavadora de platos para reducir la posibilidad de dañar el cable de alimentación eléctrica.

CONEXIONES DE ENTRADA DE AGUA

Suministro de agua caliente

El calentador de agua debe proporcionar agua a la lavadora de platos a una temperatura aproximada de 120° F (49° C). Agua demasiado caliente puede causar que algunos detergentes pierdan su efectividad. Temperaturas más bajas del agua aumentarán los tiempos de los ciclos. La presión del suministro de agua caliente debe estar entre 15 - 145 psi (1 - 10 bar).

NOTAS IMPORTANTES:

- Si usa una junta soldada en lugar de una conexión de compresión, asegúrese de efectuar todas las juntas soldadas antes de conectar la tubería de agua a la lavadora de platos.
- Asegúrese que la tubería de agua no tenga dobleces o torceduras que pueden restringir el flujo de agua.
- Siempre debe usar el sello correcto cuando hace conexiones de agua.
- Antes de conectar la tubería de agua a la lavadora de platos, abra la llave para enjuagar la tubería de agua entrante durante aproximadamente 5 minutos para eliminar cualquier material ajeno.
- Prenda el agua y revise si hay fugas después de haber realizado las conexiones.

ADVERTENCIA

Evite el riesgo de escaldadura. No realice ningún trabajo en una línea cargada de agua caliente. Puede causar lesiones serias. Sólo fontaneros calificados deben realizar trabajos de fontanería. No trate de arreglar la tubería de agua caliente de la lavadora de platos hasta estar seguro que el suministro de agua caliente esté apagado.

ADVERTENCIA

Las temperaturas que se requieren para soldar y condensar dañarán la lavadora de platos. Si se van a soldar las tuberías de agua, mantenga la fuente de calor a una distancia mínima de 6 pulgadas (152.4 mm) de la lavadora de platos.

Válvula de cierre del suministro de agua

Instale una válvula de cierre fácilmente accesible (no incluida) en la línea de suministro de agua caliente, como se muestra en la **Ilustración 7**. Se deben realizar todas las conexiones soldadas antes de conectar la tubería de agua a la lavadora de platos

Conectar el suministro de agua caliente

Hay dos mangueras corrugadas de plástico que salen de la parte trasera de la lavadora de platos. La manguera más grande con la conexión de cobre en el extremo es la manguera de suministro de agua a la lavadora de platos (la otra manguera es la manguera de desagüe de la lavadora de platos). Se requiere una abertura de 3" x 1³/₄" (76 x 45mm) a través del gabinete para meter la tubería de agua de la lavadora y conectarla a la válvula de cierre.

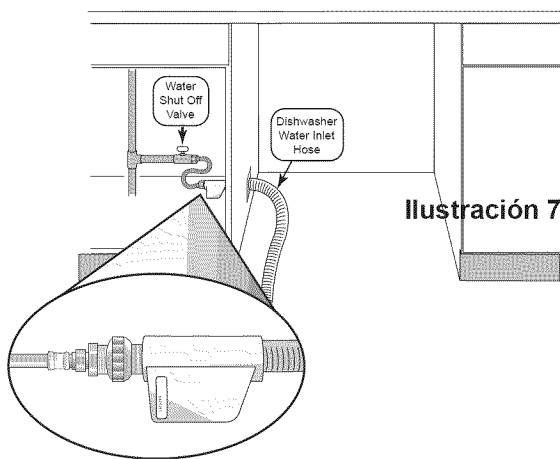


Ilustración 7

Para conectar el suministro de agua caliente:

1. Instale la conexión del adaptador del suministro de agua de la bolsa de partes sobre la manguera de suministro de agua de la lavadora de platos (vea la Ilustración 7). Esta conexión no requiere cinta de teflón.
2. Meta la manguera de agua de la lavadora de platos con el adaptador instalado a través de la abertura hacia la válvula de cierre de agua. Tenga cuidado que la manguera no quede doblada o torcida detrás de la lavadora de platos.
3. Conecte la tubería de agua de la lavadora de platos con el adaptador a la válvula de cierre. Deberá usar una tubería o manguera de agua aprobada para conectarla a la lavadora de platos junto con las conexiones correctas. Siempre debe usar el sello correcto cuando haga conexiones de agua.

NOTA: El extremo de la manguera de agua de la lavadora de platos está pesado y debe tener un soporte. Es mejor descansar el extremo sobre el piso del gabinete como se muestra en la Ilustración 7.

4. Una vez que se hicieron todas las conexiones, prenda el agua caliente y revise si hay fugas.

Conexiones de desagüe

Se puede conectar la manguera de desagüe de la lavadora de platos al desagüe casero en una de cuatro maneras. Debe hacer un agujero con diámetro de 1¹/₄" para poder meter la manguera de desagüe a través del gabinete.

1. Directamente a la conexión de desagüe de la lavadora de platos debajo del fregadero, como se muestra en la Ilustración 8.
2. Directamente a una conexión de desagüe de la lavadora de platos que cuenta con una trituradora de basura, como se muestra en la Ilustración 9.
3. A la conexión de desagüe de la lavadora de platos debajo del fregadero a través de un espacio de aire, como se muestra en la Ilustración 10.
4. A una conexión de desagüe de la lavadora de platos que cuenta con una trituradora de basura a través de un espacio de aire, como se muestra en la Ilustración 11.

NOTAS IMPORTANTES:

- Si ordenanzas locales requieren un espacio de aire, lo debe instalar conforme a las instrucciones del fabricante.
- Si se debe conectar la manguera de desagüe de la lavadora de platos a una conexión de desagüe de una trituradora de basura, quite el tapón de la conexión de desagüe de la trituradora.
- A lo largo de su longitud, la manguera de desagüe de la lavadora de platos debe tener un lugar que es fijado bien a una distancia de 20 pulgadas (50.8 cm) arriba del piso del gabinete.
- Se puede alargar la manguera de desagüe si es necesario. La máxima longitud de la manguera de desagüe, incluyendo la manguera conectada al espacio de aire, son 150 pulgadas (381 cm).

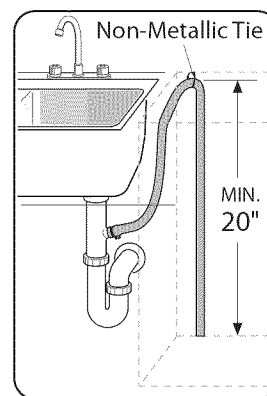


Ilustración 8

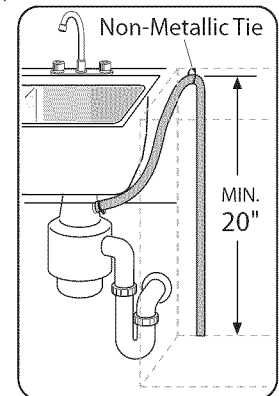


Ilustración 9

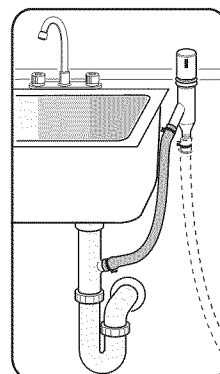


Ilustración 10

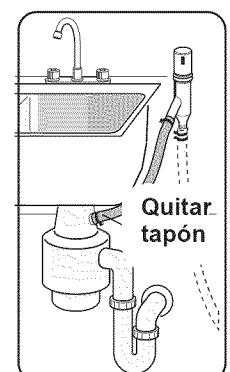


Ilustración 11

Instalación del adaptador de hule para la manguera de desagüe

1. Saque el adaptador de hule para la manguera de desagüe y las dos abrazaderas de manguera del kit de instalación que viene con la lavadora de platos (no use sustitutos).
2. En un extremo exterior del adaptador de hule para la manguera de desagüe se encuentra un reborde elevado. Inserte la manguera de desagüe en el **extremo sin el reborde elevado** (vea la Ilustración 12). Asegúrese de insertar la manguera de desagüe completamente.
3. Sujete la conexión con la abrazadera de resorte (vea la Ilustración 13).
4. Use la abrazadera de presión para fijar el adaptador de hule de la manguera de desagüe al sumidero de la casa (vea la Ilustración 13).

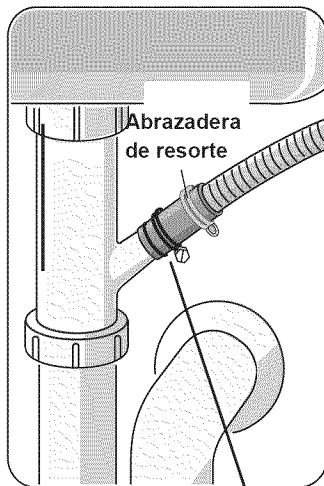
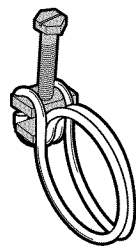


Ilustración 13



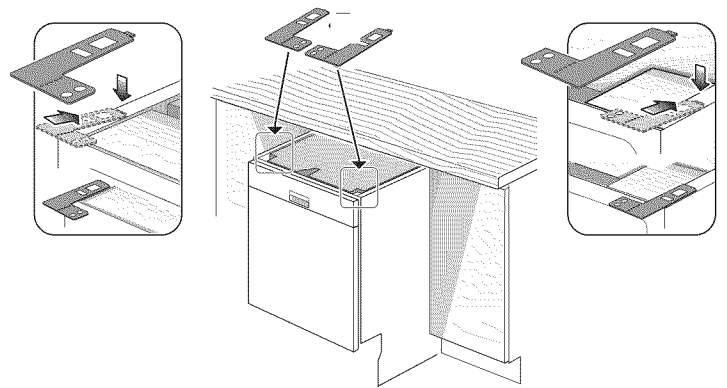
Instalación de los soportes de montaje

ADVERTENCIA

Antes de instalar los soportes de montaje incluidos para la cubierta de trabajo de la cocina, debe decidir cómo quiere fijar la lavadora de platos en su lugar. Una vez que se hayan instalado los soportes de montaje en la lavadora de platos, será difícil quitarlos y podrán dañarse los soportes de montaje así como la lavadora de platos.

Hay dos maneras de instalar la lavadora de platos en su espacio destinado:

- 1 **Montaje Superior** es usado para cubiertas hechas de madera u otros materiales que son fáciles de perforar con un taladro. Acomode los soportes de montaje como se muestra en la Ilustración 14, y posicione las dos pestañas pequeñas en los soportes sobre las dos ranuras en las esquinas delanteras de la lavadora de platos. Empuje los soportes de montaje bien para insertar las pestañas en las ranuras.



- 2 **Montaje Lateral** es usado para cubiertas hechas de mármol, granito u otro material muy duro que es difícil de perforar. Doble los soportes de montaje a lo largo de los agujeros pequeños en la misma dirección de las dos pestañas pequeñas. Acomode los soportes como se muestra en la Ilustración 15, y posicione las dos pestañas pequeñas en los soportes sobre las dos ranuras en las esquinas delanteras de la lavadora de platos. Empuje los soportes de montaje bien para insertar las pestañas en las ranuras.

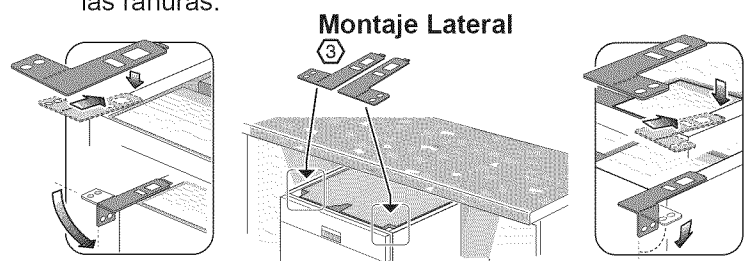


Ilustración 15

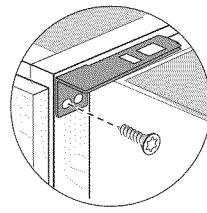
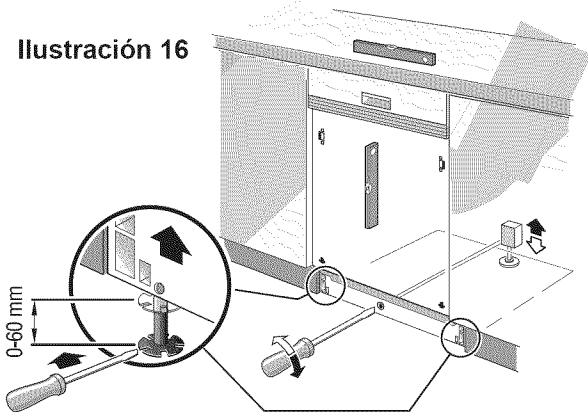
ADVERTENCIA

Evite el riesgo de volcadura
No use la lavadora de platos hasta que esté instalada completamente. Cuando abra la puerta de una lavadora de platos no instalada, abra la puerta cuidadosamente mientras soporta la parte trasera de la unidad. Si no observa esta advertencia podría sufrir lesiones serias.

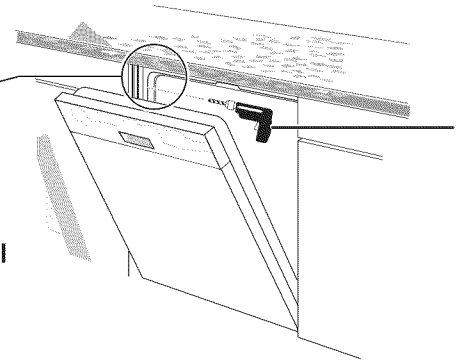
NIVELAR LA LAVADORA DE PLATOS

Ahora la unidad está lista para deslizarla al hueco en los gabinetes. Use protección para el piso para no dañarlo antes de deslizar la lavadora de platos en su lugar. Asegúrese que no se amontonen las mangueras y los cables detrás de la unidad o que estén doblados al momento de meter la lavadora en su lugar. Asegúrese de deslizar la unidad en su lugar antes de subir las patas niveladoras.

Ilustración 16

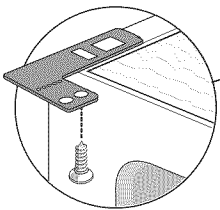


Para montaje lateral
Ilustración 18

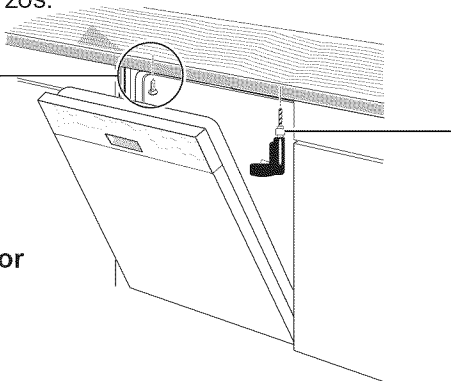


FIJAR LA LAVADORA DE PLATOS

1. Meta los tornillos de fijación a través de los agujeros en los soportes de montaje como se muestra en la Ilustración 17 para un montaje superior o lateral.
2. Después de que la unidad esté instalada en su lugar, nivelada y fijada, bloquee las dos patas niveladoras delanteras insertando los dos tornillos de fijación que se incluyen para estas patas niveladoras en los dos refuerzos ubicados en la parte delantera de los niveladores. Vea la Ilustración 18.
3. Apriete los tornillos hasta que queden al ras con la superficie de los refuerzos.



Para montaje superior
Ilustración 17



INSTALAR EL PANEL DE PIE

Su lavadora de platos incluye un panel de pie de dos piezas para poder ajustar la altura.

1. Primero posicione el panel de pie trasero con ranuras en la lavadora de platos. Permita que descansa en el piso.
2. Posicione el panel de pie delantero encima del panel de pie trasero, permitiendo que el borde angular descansa sobre el borde correspondiente de la lavadora de platos.
3. Inserte los dos tornillos negros (incluidos) a través de los agujeros en el panel de pie para fijarlo. Use los tornillos incluidos para no dañar la lavadora de platos. Vea la Ilustración 19.
4. Para los modelos con panel de pie exterior, deslice los soportes (A) que se incluyen, en las ranuras del panel de pie que acaba de instalar.

NOTA: Una vez que determina la posición correcta de los soportes, quite el soporte y doble la pestaña de metal. Vea la ilustración 20. Con esto asegura que el panel de pie no se pueda introducir más de lo que se necesita.

5. Vuelva a insertar los soportes.
6. Instale el panel de pie exterior en los soportes y apriete los tornillos incluidos para fijar el panel de pie.

NOTA: La pieza de goma debe permanecer detrás de la parte inferior del panel exterior.

Figure 20

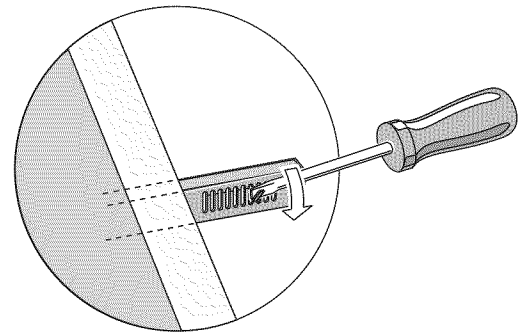
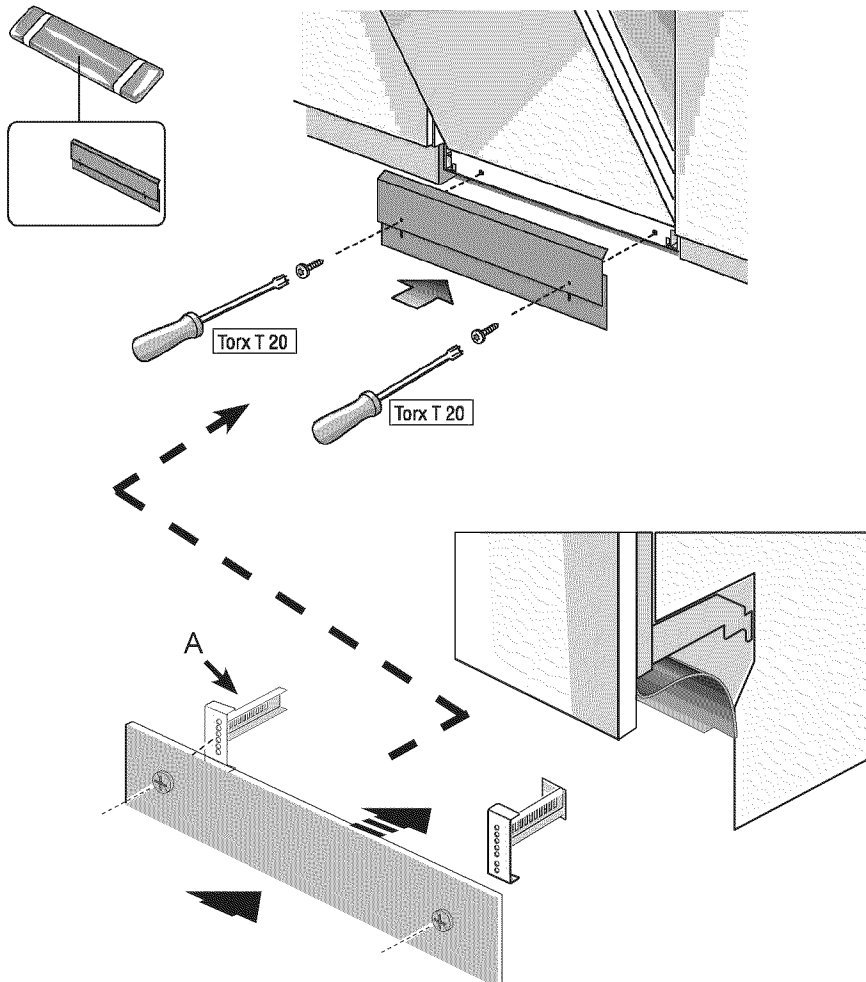


Figure 19



Servicio al Cliente

Su lavavajillas no requiere atención especial diferente del que se describe en la sección de cuidado y mantenimiento del manual de uso y cuidado. Si tiene algún problema con su lavavajilla, consulte la sección de autoayuda en el manual de uso y cuidado antes de llamarnos y solicitar ayuda. Si se necesita servicio, póngase en contacto con su distribuidor o instalador o con un centro de servicio autorizado. No trate de reparar el aparato usted mismo. Todo trabajo realizado por personas no autorizadas puede invalidar la garantía.

Si usted tiene algún problema con su lavavajillas y no está contento con el servicio que haya recibido, tome los siguientes pasos por favor (en el orden listado abajo) hasta corregir el problema a su entera satisfacción:

1. Contacte a su instalador o al contratista de servicio autorizado en su área.
2. Mándenos un correo electrónico. Consulte su manual de uso y cuidado para las instrucciones.
3. Escribanos a la siguiente dirección:
BSH Home Appliances, Corp.
5551 McFadden Avenue
Huntington Beach, CA 92649
4. Llámenos al número de teléfono del servicio al cliente que aparece en la etiqueta en el borde derecho de la puerta de la lavavajillas como se muestra.

Asegúrese por favor de incluir (si está escribiendo) o tener a la mano (si está hablando) la siguiente información

- Número de modelo
- Número de serie
- Fecha de la compra original
- Fecha cuando se originó el problema
- Explicación del problema

Usted podrá encontrar la información sobre el número de modelo y el número de serie en la placa (etiqueta) que se encuentra en la orilla derecha de la puerta de la lavavajillas tal como se muestra.

Además, si nos escribe, favor de incluir un número telefónico donde lo podamos localizar durante el día. Por favor saque una copia de su factura y guárdela junto con este manual. El cliente debe mostrar un comprobante de compra para obtener el servicio de garantía.

