



EN ■ Electric Oil Filled Radiator

This product is only suitable for well insulated spaces or occasional use.

READ CAREFULLY AND STORE FOR FUTURE USE.

- This appliance may be used by children 8 years of age and older and by persons with physical or mental impairments or by inexperienced persons, if they are properly supervised or have been informed about how to use the appliance in a safe manner and understand the potential dangers. Children must not play with the appliance. Cleaning and maintenance performed by the user must not be performed by unsupervised children.
- Children younger than 3 years of age should be prevented from accessing the appliance unless they are under constant supervision.
- Children from 3 to 8 years of age must only turn this appliance on/off under the condition that it is located or installed in its intended normal operating position and that they are under supervision or were informed about the safe operation of the appliance and understand the potential hazards. Children from 3 to 8 years of age must not insert the plug into the power socket, regulate or clean the appliance or carry out maintenance performed by the user.



ATTENTION:

Certain parts of this product may become very hot and cause burns. Special attention should be paid when children and handicapped people are present.

If the power cord is damaged, it must be replaced by the manufacturer, its service technician or by a similarly qualified person, as this will prevent a dangerous situation from arising.



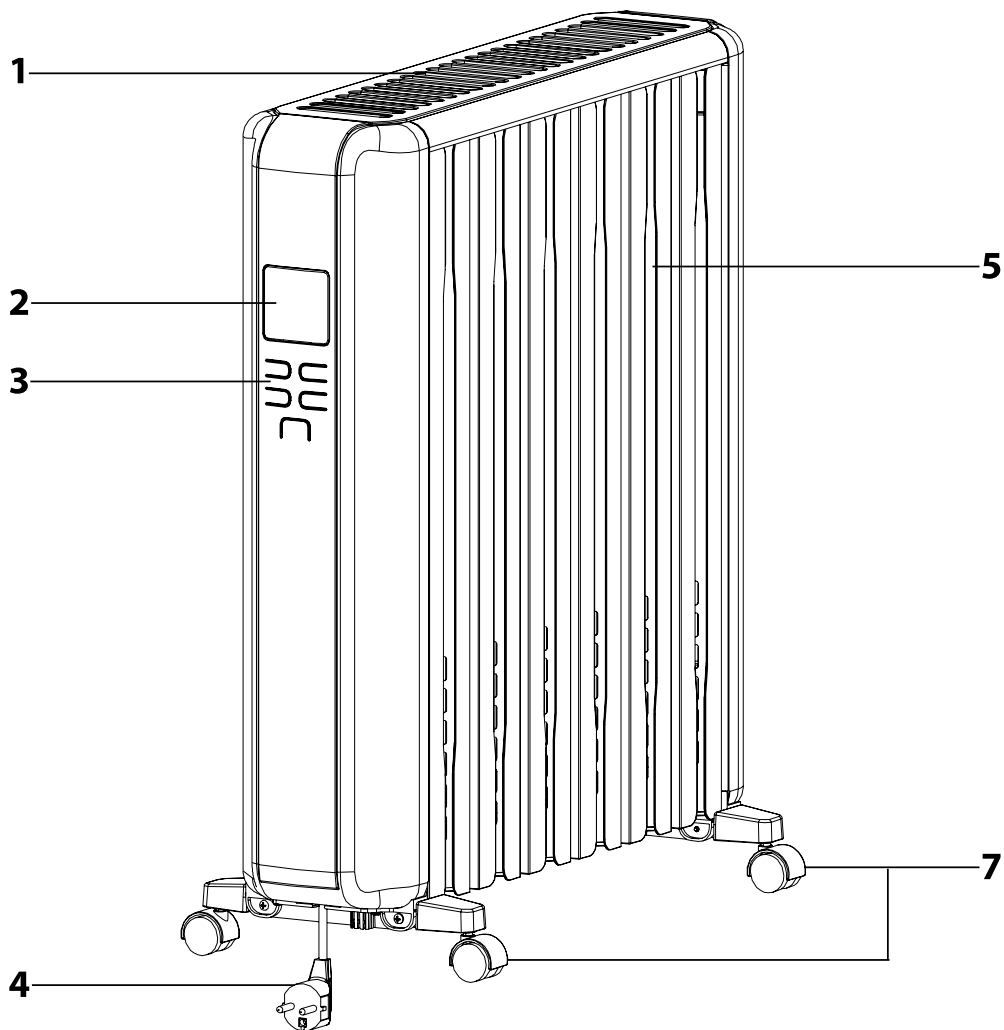
WARNING:

Do not cover. To prevent overheating, do not cover the heater.

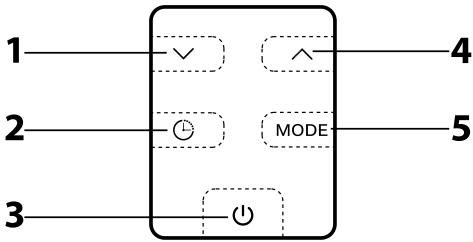
- The heater must not be located directly underneath a power socket.
- Do not use the heater in the direct vicinity of a bath, shower or swimming pool.
- When putting the heater out of operation, follow regulations governing the handling of oil.
- Children must not play with the appliance.
- This appliance is designed for use in households, offices and similar types of areas. We do not recommend using this appliance in rooms measuring less than 5 m².
- Before connecting the appliance to a power socket, check that the rated voltage on its rating label matches the electrical voltage in the power socket.
- Connect the appliance only to a properly grounded socket.

- Do not use it in very dusty or humid rooms such as laundries, in areas where flammable chemicals are stored, in industrial surroundings or outdoors!
- Do not place the appliance in the vicinity of an open flame or other sources of heat.
- Do not place the appliance on unstable surfaces such as carpets with very long and thick fibres, couches, etc. Only place the appliance on an even, dry and stable surface.
- This appliance is not intended to be mounted on a wall.
- Do not use the appliance unless it is correctly assembled.
- This appliance may only be connected to a power socket when it is properly assembled and standing in the upright position as shown in figure A.
- Do not insert any items through the ventilation slots. Otherwise the appliance may be damaged.
- When in operation, there must be a clearance of at least 50 cm around the appliance to ensure air circulation and a clearance of 1 m from flammable materials must be maintained.
- Do not leave the appliance in operation while sleeping.
- Always turn off the appliance and disconnect it from the power socket, before disassembling, moving or cleaning it. Allow it to cool down before disassembling, moving or cleaning it.
- To prevent potential injury by electrical shock, do not submerge any part of the appliance in water or any other liquid.
- Disconnect the appliance from the power socket by pulling on the plug, never pulling on the power cord. Otherwise, this could damage the power cord or the socket.
- In order to prevent a hazardous situation arising, do not repair the appliance yourself or modify it in any way. By tampering with the appliance, you risk voiding your legal rights arising from unsatisfactory performance or quality warranty.
- The manufacturer is not responsible for any damages caused by the incorrect use of this appliance.

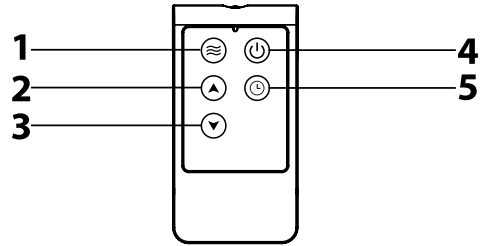
A



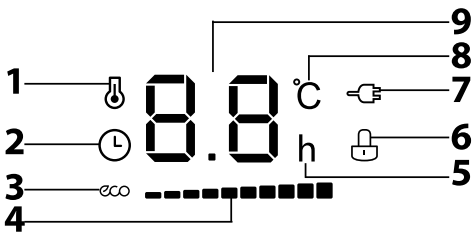
B



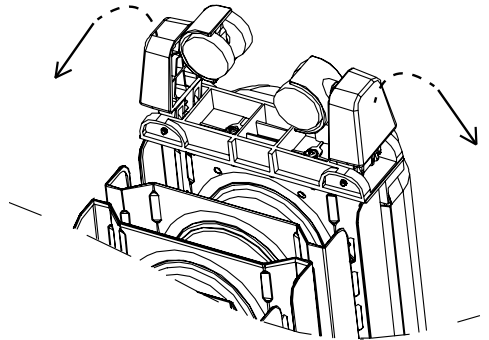
C



D



E



- This product is suitable only for well insulated areas or for infrequent use. Information relating to local electric heaters according to Commission Directive EU 2015/1188 is provided in the attachment to this user's manual.
- Prior to using this appliance, please read the user's manual thoroughly, even in cases, when one has already familiarised themselves with previous use of similar types of appliances. Only use the appliance in the manner described in this user's manual. Keep this user's manual in a safe place where it can be easily retrieved for future use.
- We recommend saving the original cardboard box, packaging material, purchase receipt and responsibility statement of the vendor or warranty card for at least the duration of the legal liability for unsatisfactory performance or quality. In the event of transportation, we recommend that you pack the appliance in the original box from the manufacturer.

DESCRIPTION OF THE ELECTRIC OIL-FILLED RADIATOR

A1 Top vents	A5 Radiator heating elements
A2 Display	A6 Main power switch (ON/OFF, not shown)
A3 Control buttons	A7 Travel wheels
A4 Power cord plug	

DESCRIPTION OF THE CONTROL BUTTONS

B1 Down button	B4 Up button
B2 Timer button	B5 MODE button
B3 On/Off button	

DESCRIPTION OF THE REMOTE CONTROL

C1 MODE button	C4 On/Off button
C2 Up button	C5 Timer button
C3 Down button	

DESCRIPTION OF THE DISPLAY

D1 Temperature icon	D7 „Plugged in“ icon
D2 Automatic start / shut off icon	D8 °C icon (appears when a temperature value is shown in the numerical field)
D3 Power-saving mode icon	D9 Numerical field (shows set temperature or automatic start / shut off time)
D4 Graphical radiator power indicator	
D5 „h“ icon (hour, the automatic start / shut off function will appear)	
D6 Child lock icon	

ASSEMBLING THE ELECTRIC OIL-FILLED RADIATOR



Attention:

Never connect the oil-filled heater to a power socket prior to or during its assembly! Before assembly, check the oil-filled radiator for damage, e.g. caused by a fall or transportation.

- Turn the oil-filled radiator upside down. We recommend to place a blanket or soft mat in the location where the oil-filled radiator will be assembled.
- The travel wheels **A7** come factory installed and they need to be tilted out – see figure E.
- Then stand the oil-filled radiator on a firm and dry surface. Make sure that all the travel wheels **A7** are touching the ground and that the oil-filled radiator is not leaning to any one side.

CONTROLLING THE ELECTRIC OIL-FILLED RADIATOR

TURNING THE OIL-FILLED RADIATOR ON AND OFF

- Insert the power plug of the oil-filled radiator into a power socket. Set the main switch **A6** to position ON. A sound will be made. To turn on the oil-filled radiator, press the On / Off button **B3** or button **C4** on the remote control. The display **A2** will be lit and the set temperature, graphical power output indicator **D4** and the plugged-in plug icon **D7** will be shown. When the oil-filled radiator is turned on for the first time or after being disconnected from the power socket, it will start heating at high power, i.e. to a temperature of 35 °C.
- To turn off the oil-filled radiator, press the On / Off button **B3** or button **C4** on the remote control. The display **A2** will turn off. Then also set the main switch **A6** to the OFF position and only then it is possible to disconnect the power plug from the power socket.

- If the On / Off button **B3** or button **C4** on the remote control is pressed, the oil-filled radiator will switch to standby mode. In this mode the display **A2** is off but the plugged-in plug icon **D7** remains lit. In standby mode, power consumption is reduced to a minimum.



Note:

When the oil-filled radiator is turned off using the On / Off button **B3** or button **C4** on the remote control, then the previous settings (temperature, radiator power output, etc.) will be renewed. A slight odour may be sensed when the oil-filled radiator is first turned on or after an extended period where it has not been used. This will go away after a short while.

SETTING THE POWER OUTPUT OF THE RADIATOR

- The MODE button **B5** (**C1** on the remote control) serves to set the power output of the radiator. Repeatedly press the MODE button **B5** (**C1** on the remote control) to select the power output in the following order: high power – medium power – low power – power-saving mode. Each time the MODE button **B5** (**C1** on the remote control) is pressed, the display **A2** will change the shown power output of the radiator **D4**. If you select the power-saving mode, then the power-saving mode icon **D3** will be lit on the display **A2**.

SETTING THE TEMPERATURE

- When the radiator is turned on, use the up **B4** / down **B1** buttons (up **C2** / down **C3** on the remote control) to set the desired temperature. The temperature number will flash. Holding down the button will speed up the temperature setting. When nothing is done for 5 seconds, the system automatically exits the temperature settings menu. The set temperature will be saved to memory. The factory-set default temperature is at high power 35 °C.

AUTOMATIC START

- When the radiator is in stand-by mode, press the timer button **B2** (**C5** on the remote control) to enter the automatic start timer menu. Use buttons up **B4** / down **B1** (up **C2** / down **C3** on the remote control) to set the time after which the oil-filled radiator is to start automatically. The number value will flash. Holding down the button will speed up the time setting. The automatic start / stop icon **D2** will be lit on the display **A2**. Press the timer button **B2** (**C5** on the remote control) again or do nothing for 5 seconds and the system will save the set time to memory, and the time and the automatic start / stop icon **D2** will be shown on the display **A2**. The radiator will start automatically after the set time has elapsed and a short sound signal will be made.
- If the On / Off button **B3** or button **C4** on the remote control is pressed during the countdown of the set automatic start time, the radiator will turn on and the automatic start function will be cancelled.

AUTOMATIC SHUT OFF

- When the radiator is in turned on, press the timer button **B2** (**C5** on the remote control) to enter the automatic shut off timer menu. Use buttons up **B4** / down **B1** (up **C2** / down **C3** on the remote control) to set the time after which the oil-filled radiator is to stop automatically. The number value will flash. Holding down the button will speed up the time setting. The automatic start / stop icon **D2** will be lit on the display **A2**. Press the timer button **B2** (**C5** on the remote control) again or do nothing for 5 seconds and the system will save the set time to memory, and the temperature and the automatic start / stop icon **D2** will be shown on the display **A2**. The radiator will stop automatically after the set time has elapsed and a short sound signal will be made.
- If the On / Off button **B3** or button **C4** on the remote control is pressed during the countdown of the set shut off time, the radiator will switch to the standby mode and the automatic shut off function will be cancelled.
- If you need to check the remaining time while the automatic shut off timer is counting down, press the timer button **B2** (**C5** on the remote control).



Note:

The automatic start or shut off time can be set in the range from 1 to 24 hours. When the automatic start / shut off time is set to 0 h, the function will be disabled.

In the event that a power outage occurs during the countdown of the automatic start or shut off, the automatic start or shut off function will be cancelled when power is restored.

In the event that you need to change the automatic start / shut off time, press the timer button **B2** (**C5** on the remote control), the number will start flashing and using the up **B4** / down **B1** buttons (up **C2** / down **C3** on the remote control) adjust the automatic start or shut off time.

CHILD SAFETY LOCK

- The child safety lock function enables the control panel to be locked to prevent children from playing with it and to prevent accidentally changing the oil-filled radiator settings or accidentally turning it on.
- The child safety lock function can be activated when the radiator is turned on and also when the radiator is in stand-by mode.

- To activate the child safety lock, simultaneously hold down the timer button **B2** and MODE button **B5**. The child safety lock icon **D6** will be lit on the display **A2**.
- To deactivate the child safety lock, simultaneously hold down the timer button **B2** and MODE button **B5**. The child safety lock icon **D6** on the display **A2** will turn off.
- The child safety lock can only be activated/deactivated using the control buttons.

Disposal in other countries outside the European Union

This symbol is valid in the European Union. If you wish to dispose of this product, request the necessary information about the correct disposal method from the local council or from your retailer.



This product meets all the basic requirements of EU directives related to it.

OVERHEATING PROTECTION

- If the temperature in the room, where the oil-filled radiator is located, exceeds 50 °C, the oil-filled radiator will automatically turn off to prevent it from overheating. A sound is made and error message "OFF" is shown on the display **A2**. If this happens, set the main switch **A6** to the OFF position and then disconnect the power plug from the power socket. Wait until the oil-filled radiator cools down completely.



Note:

Even if the temperature in the room falls below 50 °C, it is necessary to wait until the oil-filled radiator cools down before turning it on again.

THERMAL PROTECTION

- This oil-filled radiator model is equipped with a two-level thermal protection:
 - The first level (self-resetting thermal fuse) turns off the oil-filled radiator in the event of overheating, where the internal temperature of the electronics reaches 140 °C. In this case it is necessary to leave the radiator turned off for several minutes. As soon as it cools down, the thermal fuse is automatically deactivated and it is possible to continue using the radiator.
 - Second level (non-resetting thermal fuse) will be activated if the first level fails and at the same time the internal temperature of the electronics reaches 160 °C. In this case it is necessary to contact an authorised service centre, which will return the radiator to working order by professional intervention.

MAINTENANCE AND CLEANING

- Ensure that the appliance is turned off and that it has cooled down before cleaning it.
- Clean the appliance using a soft dry cloth. Do not use chemicals or abrasive cleaning products for cleaning. Otherwise the surface of the appliance may be damaged.
- Do not spray the appliance with water or submerge it in water or another liquid.

STORAGE

- When not using the appliance, store it in a dry, clean place out of children's reach. Allow the appliance to cool down before storing it.

TECHNICAL SPECIFICATIONS

	SOH 8110WH	SOH 8112WH
Colour	White	White
Number of heating fins	10	12
Power levels	low = 1,000 W medium = 1,300 W high = 2,300 W	low = 1,000 W medium = 1,500 W high = 2,500 W
Rated voltage	220 – 240 V ~	220 – 240 V ~
Rated frequency	50 Hz	50 Hz
Max. rated input power	2,300 W	2,500 W

We reserve the right to change text and technical specifications.

INSTRUCTIONS AND INFORMATION REGARDING THE DISPOSAL OF USED PACKAGING MATERIALS

Dispose of used packaging material at a site designated for waste in your municipality.

DISPOSAL OF USED ELECTRICAL AND ELECTRONIC EQUIPMENT



This symbol on products or original documents means that used electric or electronic products must not be added to ordinary municipal waste. For proper disposal, renewal and recycling hand over these appliances to determined collection points. Alternatively, in some European Union states or other European countries you may return your appliances to the local retailer when buying an equivalent new appliance.

Correct disposal of this product helps save valuable natural resources and prevents potential negative effects on the environment and human health, which could result from improper waste disposal. Ask your local authorities or collection facility for more details.

In accordance with national regulations penalties may be imposed for the incorrect disposal of this type of waste.

For business entities in European Union states

If you want to dispose of electric or electronic appliances, ask your retailer or supplier for the necessary information.