

DFK DOWNFLOW KIT

INSTALLATION INSTRUCTIONS

© 2013 Goodman Manufacturing Company, L.P.
5151 San Felipe, Suite 500, Houston, TX 77056
www.goodmanmfg.com -or- www.amana-hac.com
P/N: IOG-7001 Date: March 2013

DESCRIPTION

The DFK Downflow Kit is applied to the bottom of the drain pan to prevent possible condensation from forming on the drain pan in the downflow application. They are used with the ARUF**14**, ARPT**14**, ASPT**14**, ASUF**14** and AVPTC**14* air handlers.

MODEL LIST FOR DOWNFLOW KITS

DFK-B Downflow Kit	DFK-C Downflow Kit	DFK-D Downflow Kit
ARUF18B14**	ARUF36C14**	ARUF48D14**
ARUF24B14**	ARUF30C14**	ARUF60D14**
ARUF30B14**	ARUF42C14**	ARPT36D14**
ARPT18B14**	ARPT36C14**	ARPT42D14**
ARPT24B14**	ASUF39C14**	ARPT48D14**
ARPT30B14**	ASUF49C14**	ARPT60D14**
ASUF29B14**	ASPT30C14**	ASUF59D14**
ASPT24B14**	ASPT36C14**	ASPT42D14**
AVPTC24B14**	AVPTC30C14**	ASPT48D14**
	AVPTC36C14**	ASPT60D14**
		AVPTC42D14**
		AVPTC48D14**
		AVPTC60D14**

- Remove side A of insulation backing. Do not remove entire piece of backing from insulation.
- Line up side A of the insulation with side A of the drain pan and firmly attach the insulation to the drain pan with roughly a ¼" portion of the insulation folded over the edge as shown in Figures 2 and 3. Fold the insulation over to cover the inside portion of the drain pan on side A.

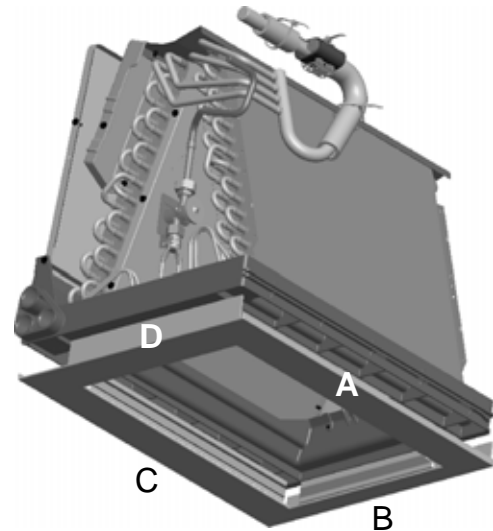


FIGURE 2 - Rolled Edge Location

KIT INSTRUCTIONS:

- To ensure proper adhesion, clean all surfaces of drain pan so they are all clear of oil, dust and moisture.
- Identify sides A, B, C and D of the insulation and drain pan as shown in Figure 1. (Side D is wider than side B.)

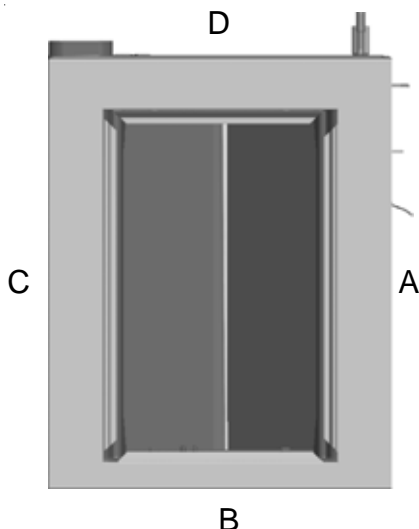


FIGURE 1 - Bottom View of Coil

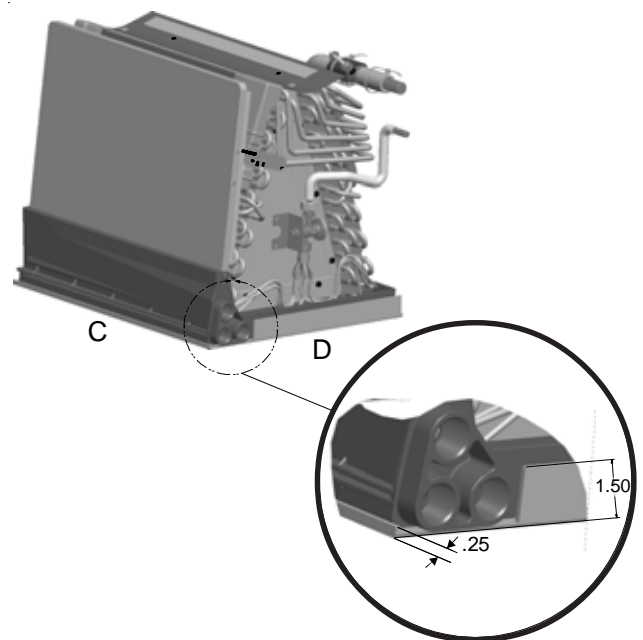


FIGURE 3 - Rolled Edge Location Detail



5. Slowly and carefully, remove the paper backing from the insulation adhesive and install down sides B and D. Take care not to cause any tears in the insulation.
6. Fold over inside and outside tabs of sides B and D.
7. As side C is reached, fold over the inside of the drain pan insulation and continue peeling the backing off the insulation and adhering it to the drain pan. Fold over remaining insulation to the outside of side C similar to side A.
8. Add block off plate on side A of coil as shown in Figure 4.
9. Make sure the hole on the block off plate aligns with the hole on the coil and secure the block off plate with two provided screws as shown in Figure 4.

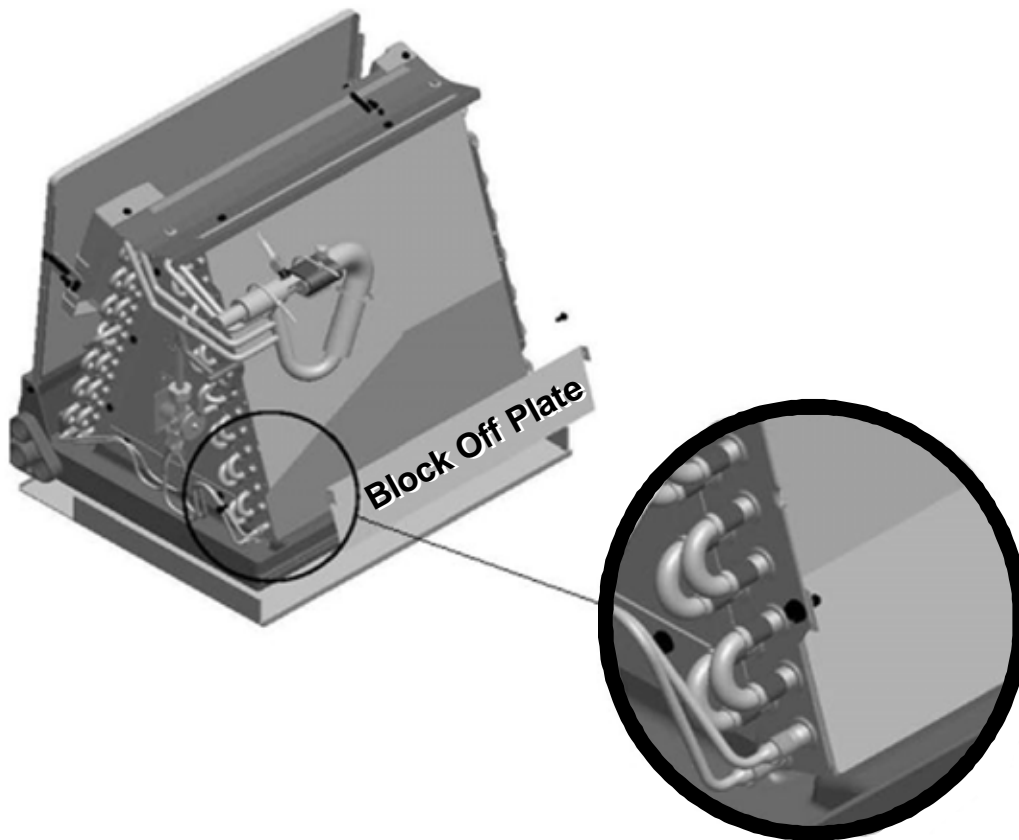


FIGURE 4 - Block Off Plate