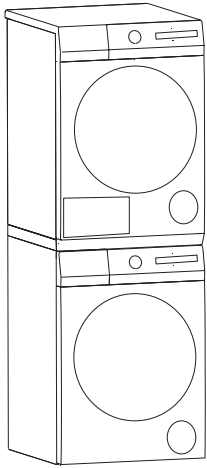
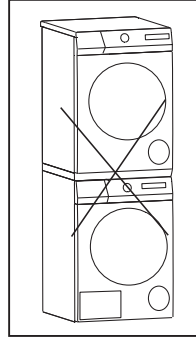


# Installation Guide for Stacking Bracket

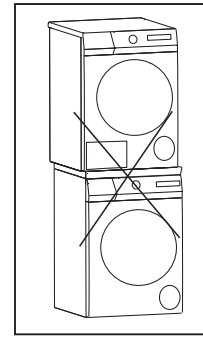


## ⚠ Installation Guide:

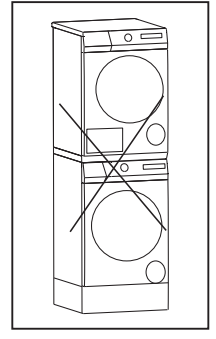
1. This product must be installed by authorized after-sales service personnel only.
2. When stacking, do not place the washing machine on a platform higher than the ground to prevent it from tipping over or falling.
3. When tightening screws, prevent screw stripping.
4. Stacking installation requires at least two people. Leave a certain distance between the machine and the wall.
5. Use only the screws provided in the accessories.



Do not place the washing machine on top of the dryer.



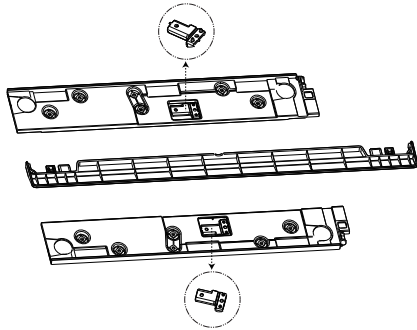
Do not misalign the dryer during installation.



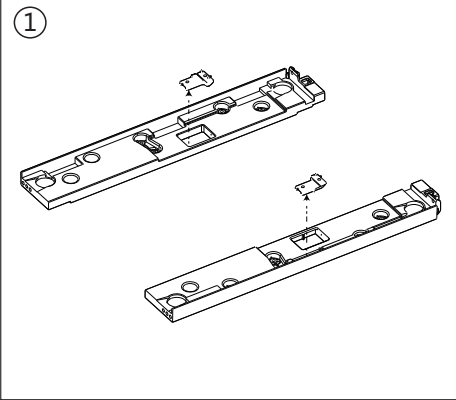
Do not use a base for the washing machine.

💡 All illustrations in this guide are for reference only. Due to product improvements and expansion, the appearance, color, and functional components of your product may differ from the illustrations.

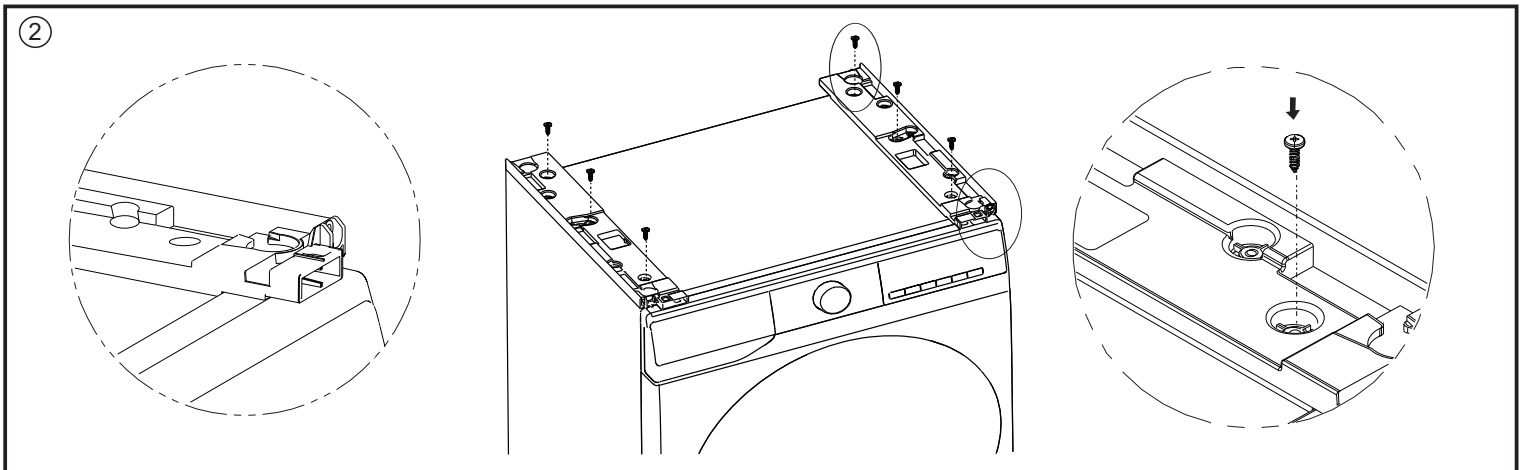
## Packing List:



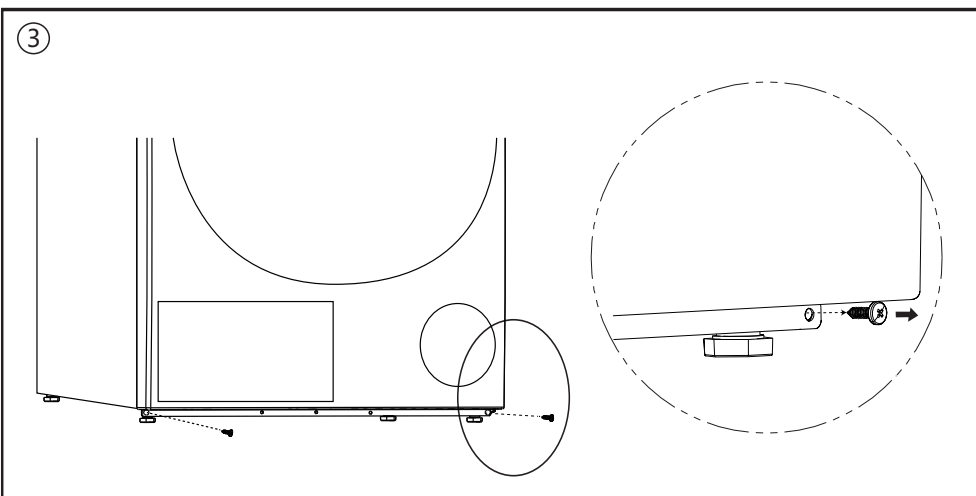
- ..... Left Fixing Piece × 1
- ..... Left Bracket × 1
- ..... Front Handle × 1
- ..... Right Bracket × 1
- ..... Right Fixing Piece × 1
- ..... Expansion Bolts × 4
- ..... Angle Irons × 2
- ..... Screws × 12
- ..... Installation Guide × 1



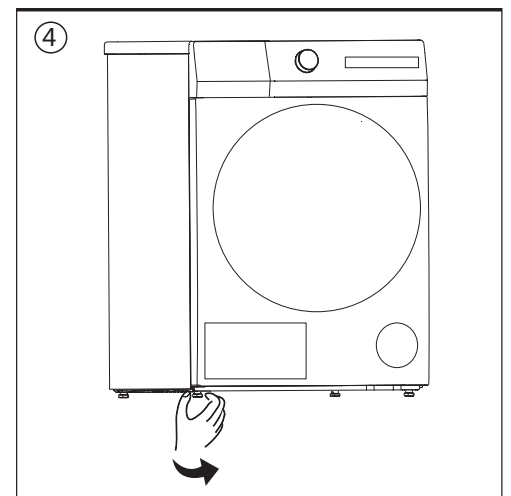
1. Separate the left and right fixing pieces from the left and right brackets.



2. Place the left and right brackets flat on the top cover of the washing machine. According to the enlarged view on the left, position the left and right brackets at the front and side steps of the washing machine top cover. Fix the left and right brackets with 3 screws each through the inner screw holes, as shown in the enlarged view on the right.

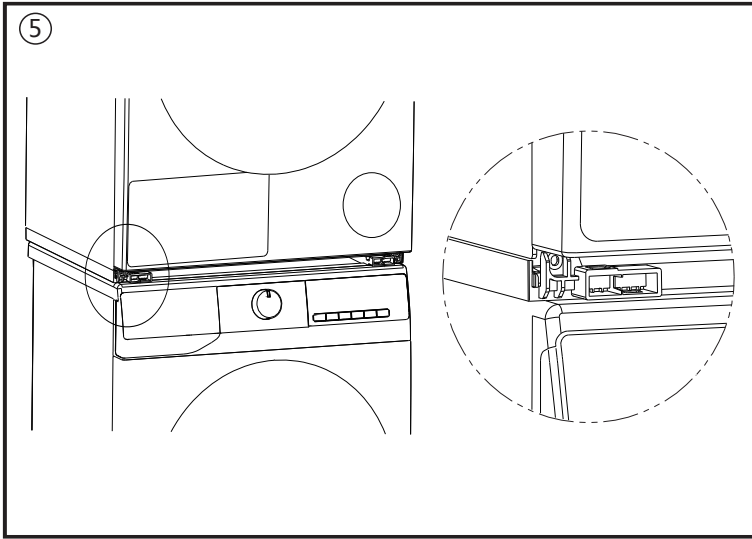


3. Remove the 2 screws at the bottom of the dryer's front panel.

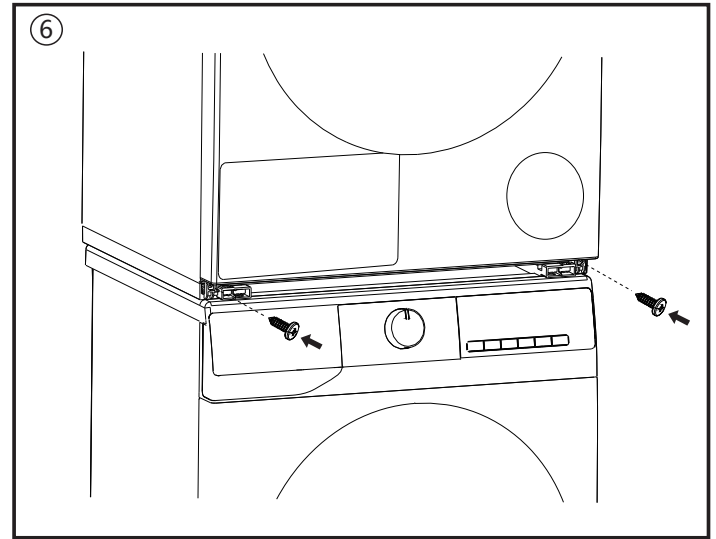


4. Tighten the 4 feet at the bottom of the dryer.

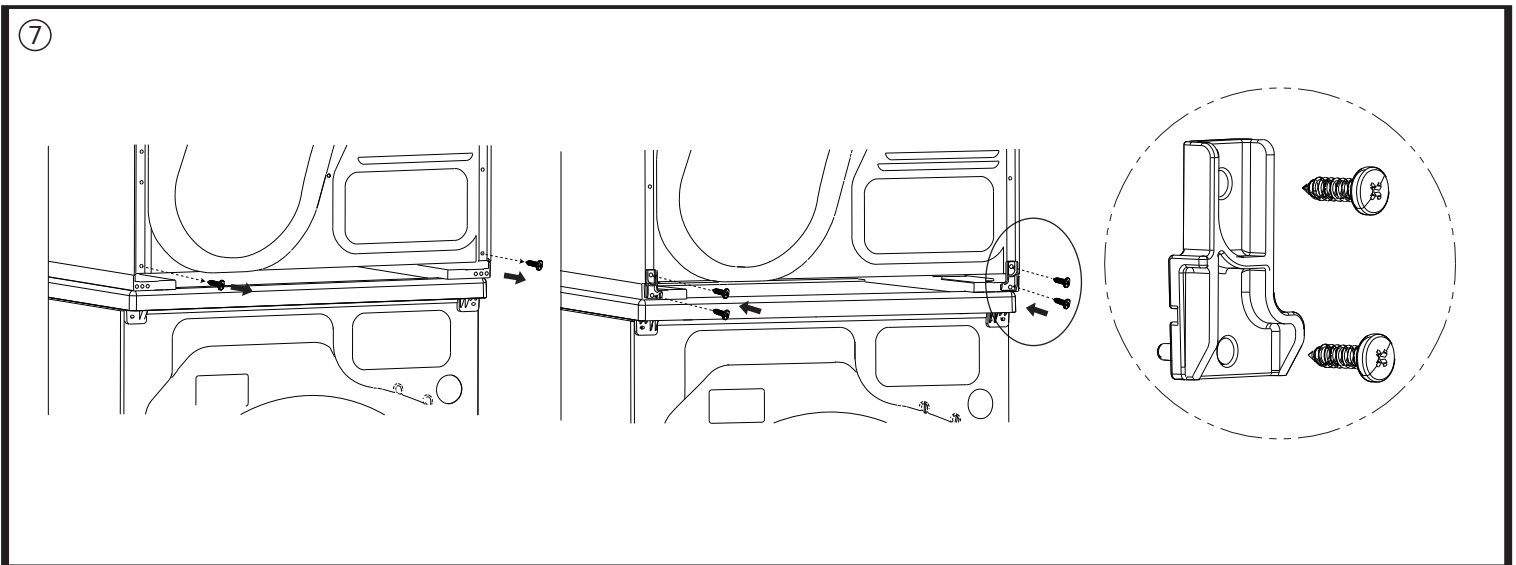
# Installation Guide for Stacking Bracket



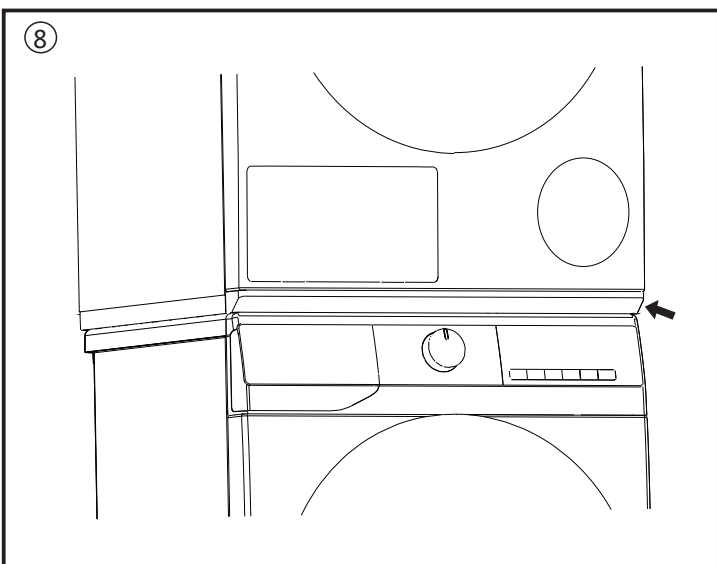
5. Lift the dryer and place it on the brackets. Slowly move it forward from the back, ensuring the dryer's four feet fit precisely into the brackets' positioning pits as illustrated.



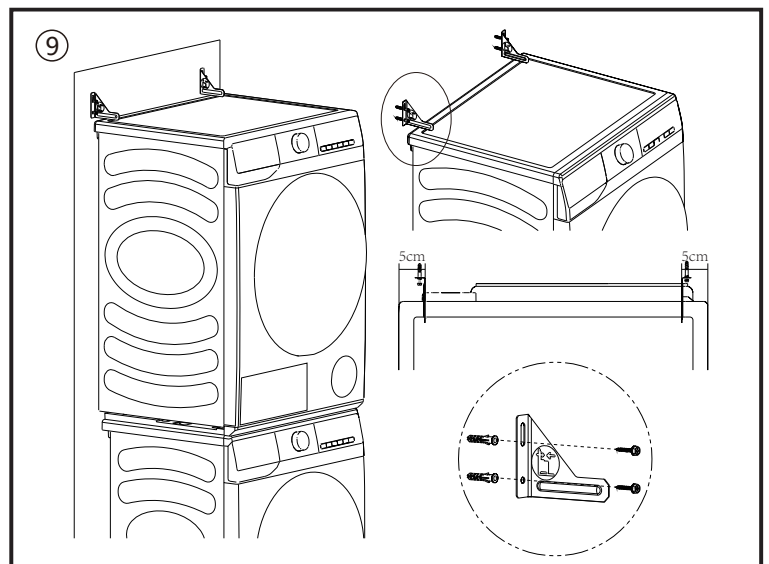
6. Use the provided screws to secure the brackets to the dryer.



7. Remove the 2 screws at the bottom of the dryer's back panel. Connect the left and right brackets to the dryer using the left/right fixing piece, as shown in the enlarged view on the right, and fix them with 4 screws each.



8. Push the front handle into the bottom of the dryer, ensuring it clicks into place with the left and right brackets. Check that the front handle and brackets are securely engaged with even gaps around.



9. Fix the two angle irons to the wall using expansion bolts as illustrated, to prevent the dryer from tipping due to external forces.

After installation, you can use the dryer's drain pipe (a floor drain adapter must be self-provided) or use a water collection box to collect water.