



WINBOT **W2S** PRO OMNI

Instruction Manual

Important Safety Instructions

IMPORTANT SAFETY INSTRUCTIONS

WARNING : Read all safety warnings and instructions. Failure to follow the warnings and instructions may result in electric shock, fire and/or serious injury.

1. This appliance can be used by persons with reduced physical, sensory or mental capabilities or lack of experience and knowledge if they have been given supervision or instruction concerning use of the appliance in a safe way and understand the hazards involved. Children shall not play with the appliance. The appliance is not to be used if it has been dropped, if there are visible signs of damage or if it is leaking. Keep the appliance out of reach of children when it is energized.
2. Do not use and charge the Appliance in extremely hot or cold environments (below 0°C/32°F or above 40°C/104°F, above 85% humidity), or it may affect battery life span.
3. The Appliance can be used to clean exterior windows if it is properly tethered to a safe position with the Carabiner, winds are calm, and it is not raining or snowing.
4. Before use, please use the Carabiner to lock the safety tether to a strong indoor railing, and make sure WINBOT is securely attached to it.
5. Do not leave the Appliance unattended when using it. To prevent bodily injury or property damage caused by accidental falling of the Appliance, please make sure there are no people, animals, or valuable, fragile objects under the working area of WINBOT.
6. Do not use the Appliance in whole gale storms and force-10 winds, or in areas where the altitude exceeds 2000 meters (6562 feet).
7. Do not leave the Appliance unattended when it is plugged in.
8. For household use ONLY (including exterior window). Do not use the Appliance in commercial or industrial environments.
9. Do not use on broken or uneven glass, such as glass with static cling stickers, advertising posters, or raised patterns, so as to prevent glass breaking or Appliance's falling. Do not use on surfaces with gaps, such as a piece of glass with gaps or holes, or two pieces of adjacent, frameless glass with a gap between them, so as to prevent the Appliance from falling due to poor attachment.

10. Only use accessories recommended or supplied by the manufacturer.
11. Please ensure that the voltage of your power supply matches the voltage indicated on the label.
12. Do not use the Appliance on a framed glass with a frame smaller than 5 mm (0.2 in).
13. Do not use on glass less than 3 mm (0.12 in) thick or mirrors less than 4 mm (0.16 in) thick.
14. Do not use on glass or mirrors with a handle height of 70~105 mm (2.76~ 4.13 in).
15. Do not use the Appliance on greasy windows.
16. When used in high humidity environment, the cleaning performance will be affected.
17. Store the Appliance away from heat and flammable materials.
18. In rainy weather, do not use the Appliance on the exterior window to avoid the risk of Appliance's damage or falling.
19. Do not use the Appliance if it does not firmly attach to the glass or has visible signs of damage.
20. To reduce the risk of electrical shock, do not put the Appliance in water or other liquid. Do not place or store Appliance where it can fall or be pulled into a tub or sink.
21. Do not touch power plug with wet hands.
22. When charging the Appliance, do not place it on other electrical appliances and keep it away from fire and liquid.
23. Take care not to damage the power cord. Do not pull on or carry the Appliance by the power cord, use the power cord as a handle, close a window on the power cord, or put heavy weights on the power cord. Keep power cord away from hot surfaces.
24. Do not use with a damaged power cord or receptacle. Do not use the Appliance if it is not working properly, has been dropped, damaged, or come in contact with water. It must be repaired by the manufacturer or its service agent in order to avoid a hazard.
25. If the supply cord is damaged, it must be replaced by the manufacturer or its service agent in order to avoid a hazard.
26. The plug must be removed from the receptacle before cleaning or maintaining the Appliance. Do not unplug by pulling on cord. To unplug, grasp the plug, not the cord.
27. The Safety Battery must be replaced by the manufacturer or its service agent in order to avoid a hazard.
28. The Safety Battery must be removed and discarded according to local laws and regulations before disposal of the Appliance.

29. The Appliance must be disconnected from the receptacle before removing the battery for disposal of the Appliance.
30. Please dispose of used batteries according to local laws and regulations.
31. Do not incinerate the Appliance even if it is severely damaged. The battery can explode in a fire.
32. The Appliance must be used in accordance with the directions in this Instruction Manual. The company cannot be held liable or responsible for any damages or injuries caused by improper use.
33. The robot contains batteries that are only replaceable by skilled persons.
34. The plug and the station must be used indoor.
35. If the vacuum glass, which WINBOT is working on, is leaking, remove WINBOT immediately after cleaning is completed.
36. Before cleaning, please observe the area to attach WINBOT for any small particles. If there are any, please remove them or switch to a particle-free area to avoid scratching the glass.
37. Clean the Mopping Pad in time and make sure that any small particles on it are completely removed to avoid scratching the glass.
38. Prevent unintentional starting. Ensure the switch is in the off-position before connecting to battery pack, picking up or carrying the appliance. Carrying the appliance with your finger on the switch or energizing appliance that have the switch on invites accidents.
39. Use appliances only with specifically designated battery packs. Use of any other battery packs may create a risk of injury and fire.
40. Under abusive conditions, liquid may be ejected from the battery; avoid contact. If contact accidentally occurs, flush with water. If liquid contacts eyes, additionally seek medical help. Liquid ejected from the battery may cause irritation or burns.
41. Do not use a battery pack or appliance that is damaged or modified. Damaged or modified batteries may exhibit unpredictable behavior resulting in fire, explosion or risk of injury.
42. Do not expose a battery pack or appliance to fire or excessive temperature. Exposure to fire or temperature above 130°C may cause explosion. The temperature of 130°C can be replaced by the temperature of 265°F.
43. Follow all charging instructions and do not charge the battery pack or appliance outside of the temperature range specified

in the instructions. Charging improperly or at temperatures outside of the specified range may damage the battery and increase the risk of fire.

44. Have servicing performed by a qualified repair person using only identical replacement parts. This will ensure that the safety of the product is maintained.
45. Do not modify or attempt to repair the appliance or the battery pack as applicable) except as indicated in the instructions for use and care.
46. The minimum ambient temperature for battery storage is -30°C , and the recommended ambient temperature range for charging is 4°C to 40°C .

47. When battery pack is not in use, keep it away from other metal objects, like paper clips, coins, keys, nails, screws or other small metal objects, that can make a connection from one terminal to another. Shorting the battery terminals together may cause burns or a fire.
48. To reduce the risk of injury, close supervision is necessary when an appliance is used near children.
49. Do not contact moving parts.

SAVE THESE INSTRUCTIONS

Federal Communications Commission (FCC) Interference Statement

This equipment has been tested and found to comply with the limits for a Class B digital device, pursuant to Part 15 of the FCC Rules.

These limits are designed to provide reasonable protection against harmful interference in a residential installation. This equipment generate, uses and can radiate radio frequency energy and, if not installed and used in accordance with the instructions, may cause harmful interference to radio communications.

However, there is no guarantee that interference will not occur in a particular installation. If this equipment does cause harmful interference to radio or television reception, which can be determined by turning the equipment off and on, the user is encouraged to try to correct the interference by one of the following measures:

Reorient or relocate the receiving antenna.

Increase the separation between the equipment and receiver.

Connect the equipment into an outlet on a circuit different from that to which the receiver is connected.

Consult the dealer or an experienced radio/TV technician for help.

This device complies with Part 15 of the FCC Rules/ Industry Canada licence-exempt RSS standard(s). Operation is subject to the following two conditions:

(1) This device may not cause harmful interference, and (2) this device must accept any interference received, including interference that may cause undesired operation.


Caution: Any changes or modifications not expressly approved by the party responsible for compliance could void the user's authority to operate this equipment.

RF exposure warning

This equipment complies with FCC radiation exposure limits set forth for an uncontrolled environment.

To satisfy FCC&IC RF exposure requirements, a separation distance of 20 cm or more should be maintained between the antenna of this device and persons during device operation.

To ensure compliance, operations at closer than this distance is not recommended.

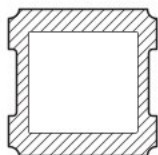
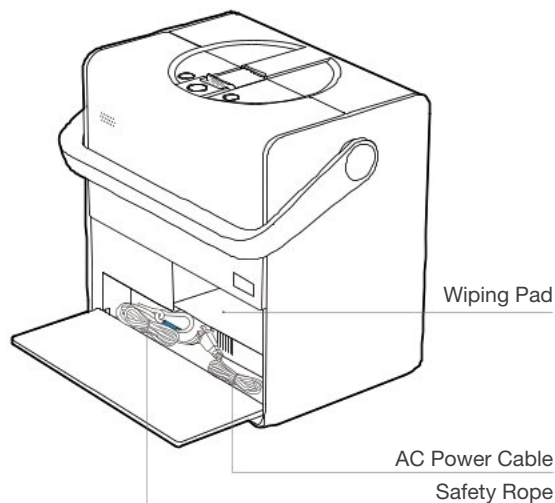
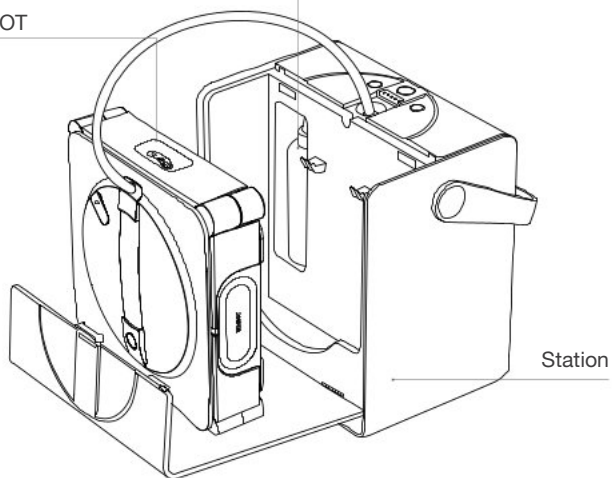
	Alternating Current
---	----------------------------

1. Product Overview

1.1 Package Contents

ECOVACS WINBOT Cleaning Solution

WINBOT



Wiping Pad

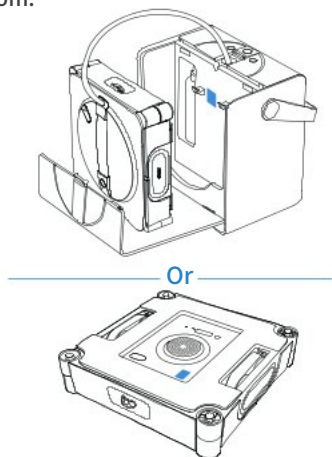


Instruction Manual

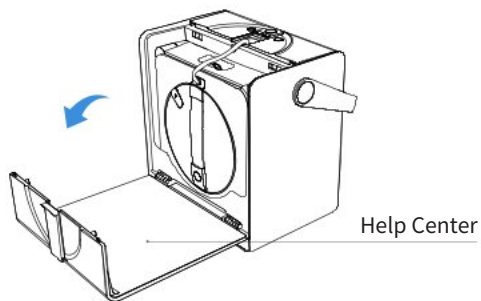
Note: Figures in this manual are for reference only and may differ from the appliance. Product design and specifications are subject to changes without notice.

1.2 Information Guide

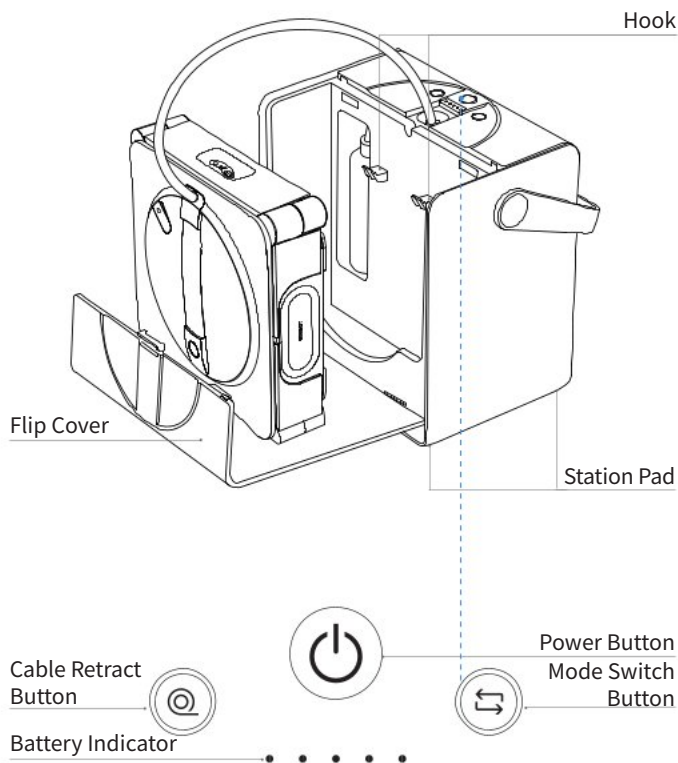
1 The network configuration QR code is inside the station and on WINBOT's bottom.



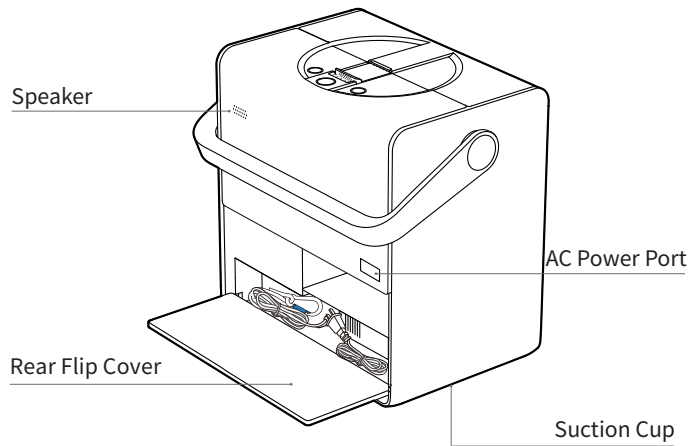
2 For common issues regarding usage and applicability, refer to the "Help Center" inside the station's cover.



1.3 Product Diagram



3 For troubleshooting, log in to the ECOVACS HOME App.



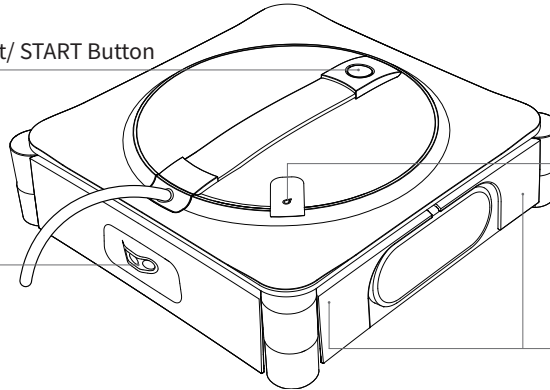
Front View

Status Indicator Light/ START Button

Filling Opening

Spray Nozzle

Bumper



Bottom View

Self-Cleaning Brush

RESET Button

Driving Wheel Tracks

Suction Sensor

Side Rollers

Bottom Status Indicator Light

Spherical Sensors

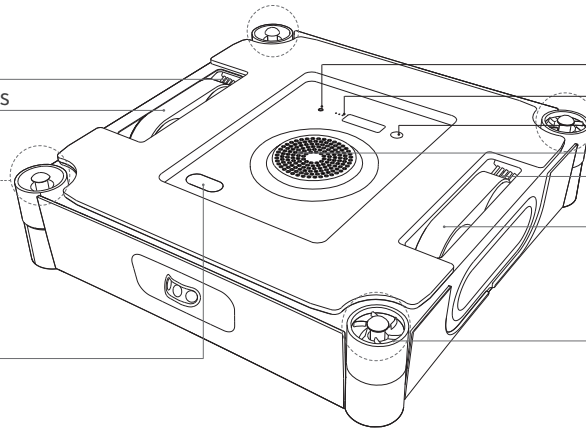
Fan

Self-Cleaning Brush

Driving Wheel Tracks

Liquid Level Indicator

TruEdge Scrubber



2. Quick Start

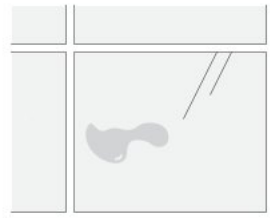
2.1 Notes Before Cleaning

- 1 Do not use WINBOT on windows with condensation or oil stains or in extremely cold or hot environments.

WINBOT may have difficulty moving in the following conditions.



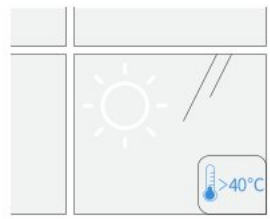
Condensation



Oil stains



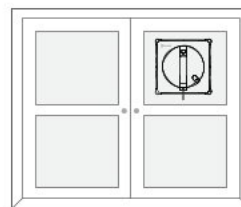
below 0°C



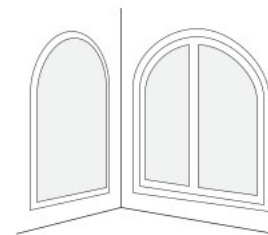
above 40°C

- 2 Do not use WINBOT on windows that are too small or have irregular shapes.

WINBOT cannot move around in the following conditions.



Small Glass



Irregular Shapes



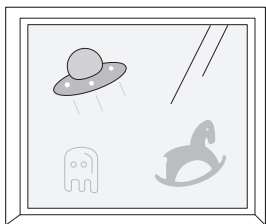
WINBOT delivers optimal performance on square and large windows.



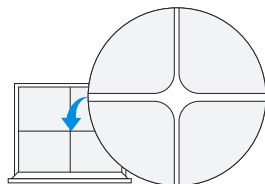
WINBOT delivers optimal performance on dry surfaces and in temperatures above 0°C .

3 Do not use WINBOT on uneven windows.

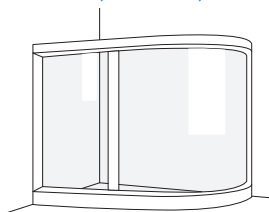
WINBOT may experience insufficient air pressure in the following conditions.



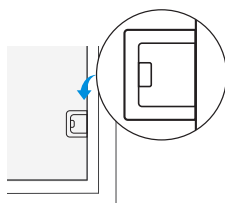
Electrostatic Window Decals, Stickers, etc.



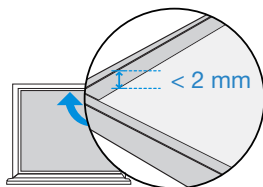
Cracks



Curved Glass



Obstacle Height < 4 mm

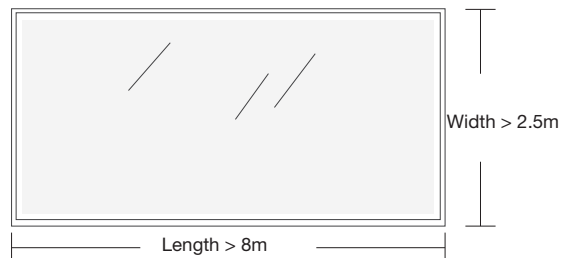


Frame Height < 2 mm

 WINBOT performs better on a smooth and flat surface to ensure stable suction and smooth movement.

4 Do not use WINBOT on super large windows.

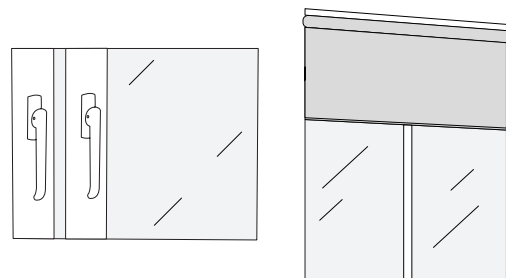
Limited by the length of Compound Cable, WINBOT may face challenges navigating across the entire window when it exceeds dimensions of 8m * 2.5m.




* Only available in zone cleaning mode.

5 Do not use WINBOT near narrow gaps close to its height.

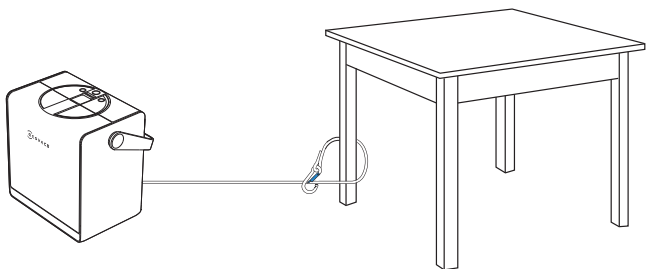
WINBOT may get stuck when nearby narrow spaces, openings or gaps between window handles/door handles/ curtain boxes/ cabinets and surfaces such as walls/windows, are close to its height.



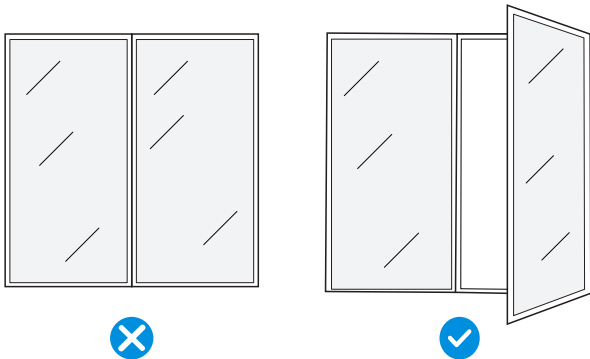
 Try placing WINBOT between the gap to confirm safe passage; if it's stuck, refrain from using the robot there to prevent damage to either itself or surrounding furniture.

Before use, ensure the station's carabiner is securely attached to a stable, immovable object such as a table leg, chair leg, bed leg, sofa leg, curtain rod, or staircase handrail. Lock the carabiner to prevent any accidents.

The safety rope and its carabiner are pre-installed at the factory. Do not disassemble it at will.



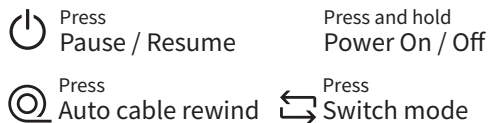
To clean glass panel doors, open the door before attaching WINBOT to avoid WINBOT falling due to narrow door gaps.



2.2 Preparation Before Use

1 Overview of Station and Light Effects

Button Functions

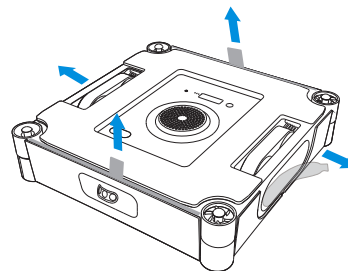


• • • • • Battery indicator

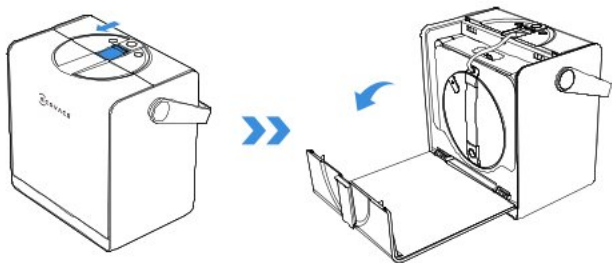
When WINBOT is working

Return to the starting point: Press and hold the @ button

Note: Please remove all protective materials, including but not limited to the EPE protective strips wrapping WINBOT and the protective films on WINBOT's sides.



How to Open Flip Cover



Status Indicator Light

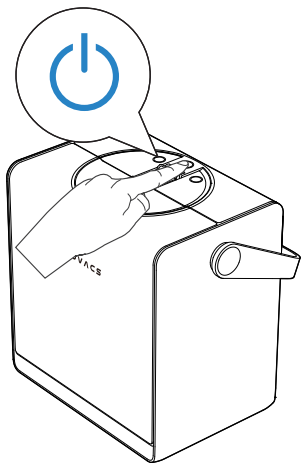
Indicator	Light Effect	Meaning
START Button/ Bottom Status Indicator Light	Solid Blue	WINBOT is working properly.
	Flashing Red	Malfunction. WINBOT is unable to function properly.
Station Power Button	Solid Blue	WINBOT and the station are functioning properly.
	Flashing Red	WINBOT and the station are malfunctioning and cannot operate properly.
Station Battery Indicator	Solid Blue (>1 Indicator lit)	Full battery.
	Breathing Blue	The station is charging.
	Solid Blue (1 Indicator lit)	Insufficient battery. Please connect the power supply to use.
	Flashing Blue (1 Indicator lit)	Battery is too low. Please charge it until the indicator turns solid blue before use.
	Breathing Red	Charging in progress with very low battery.

2 Power On

Press and hold the power button for more than 2 seconds to turn on both the station and WINBOT.

The station supports 2 working modes:

1. When not connected to a power outlet, the station uses its built-in battery to power WINBOT.
2. When connected to a power outlet, WINBOT can operate normally while the station's built-in battery charges slowly. For charging instructions, please refer to [2.4 Storage and Charging After Use].



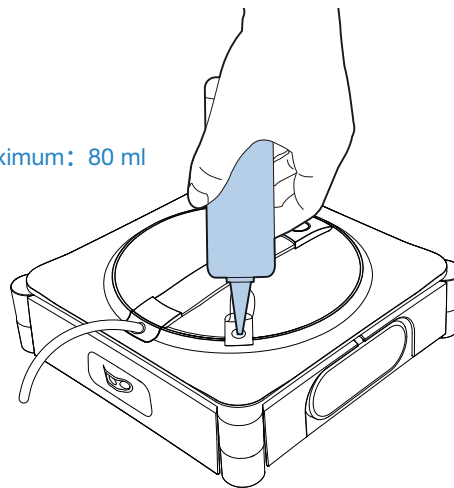
* When WINBOT is powered on, but the fan is not running, it will automatically enter sleep mode and shut down if there is no operation on the station or WINBOT buttons for ≥ 20 minutes. To restart, press and hold the station power button again. (WINBOT neither enters sleep mode nor shuts down automatically while charging)

3 Add Cleaning Solution

Add the ECOVACS WINBOT cleaning solution to the water tank. The maximum capacity of the water tank is about 80 ml.

- ✓ It is recommended that the ECOVACS WINBOT cleaning solution be used for optimal cleaning results.
* If the ECOVACS WINBOT cleaning solution runs out, tap water can be used temporarily. However, the ECOVACS WINBOT cleaning solution provides better cleaning results.
- ✗ To avoid damage to the product, do not use any cleaning solutions other than the ECOVACS WINBOT cleaning solution. Do not use purified water or filtered water.

Maximum: 80 ml



4 Install Wiping Pad

1. Wet the wiping pad

Before using, wet the wiping pad.



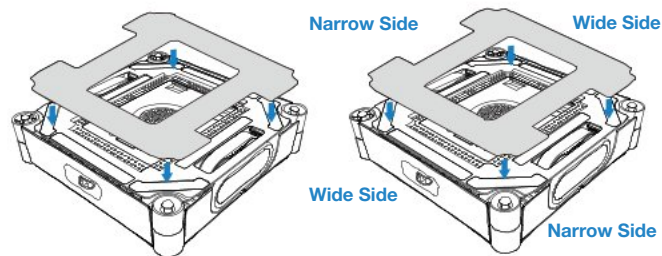
2. Wring out the wiping pad

Wring out the wiping pad to remove excess water. For optimal cleaning performance, ensure it is wrung out as much as possible.



3. Stick the wiping pad

Stick the wiping pad onto the velcro on the bottom of WINBOT, ensuring the narrow and wide sides are aligned correctly. Then press firmly to secure the pad in place.



2.3 Getting Started

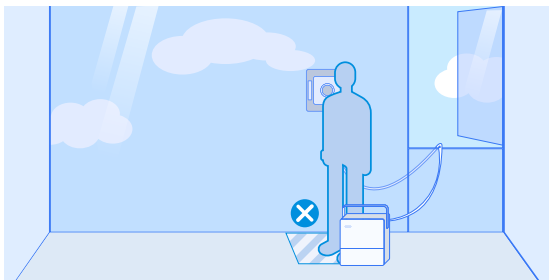
1 Place the Station

Place the station next to the window that needs to be cleaned.

Notes:

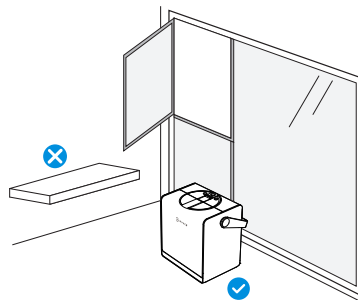
1. Position the station as close to the window as possible to prevent the compound cable from becoming a tripping hazard for people or pets.

2. When cleaning large full-length windows, place the station on the floor near the window opening to prevent power cable strain.



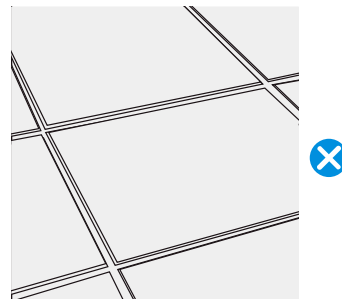
*WINBOT's power cable is 5.5 m long, and the maximum applicable single-window size is 8 m wide by 2.5 m high.

3. Always place the station on flat, seamless ground.



* Do not place the station on elevated surfaces such as tables or countertops.

4. Do not place the station on uneven surfaces, such as carpets or tiled/wooden floors with gaps.



* The suction cup at the bottom of the station is designed for smooth, seamless ground such as polished floors, tiles, and marble without gaps.

2 Start Cleaning

Ensure the station's power is turned on.

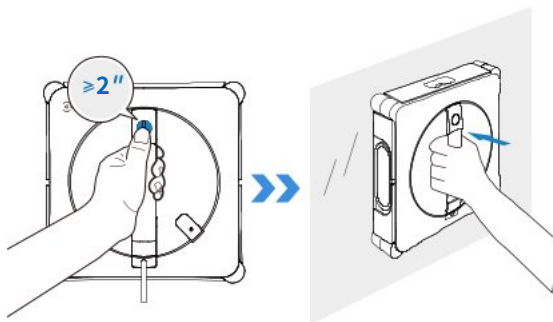
1. Before cleaning, ensure a clean area larger than WINBOT's size, then attach it to the glass.

2. Press and hold WINBOT's START button for 2 seconds to activate the fan.

2. After hearing the fan start, place WINBOT's bottom (the side with the wiping pad) against the glass. WINBOT will adhere to the window automatically and start cleaning.

Notes:

- * Do not stick the WINBOT too close to the edge when cleaning the frameless glass. It is recommended to be more than 10cm away from the edge.
- * WINBOT can only be used on flat, seamless surfaces.
- * After powering on, keep the fan away from hair and small objects to prevent blockages.
- * Do not stand below or near the WINBOT while it is cleaning.



3 Switch Cleaning Modes

While WINBOT is operating, cleaning modes can be switched by pressing the station's mode switch button. WINBOT will automatically begin cleaning in the newly selected mode.

Notes:

* The station's mode switch button can cycle through Deep Cleaning, Thorough Cleaning, Fast Cleaning, Edge Cleaning in sequence. To access more cleaning modes, refer to the ECOVACS HOME App.

Select a Cleaning Mode

Use the station's button to choose the appropriate cleaning mode. If no selection is made, WINBOT will default to the last used mode.

Recommended Cleaning Modes:

Interior windows: In general, interior windows are not heavily soiled — Fast Cleaning is recommended.

Exterior windows: In general, exterior windows are heavily soiled — Deep Cleaning is recommended.

For more details on cleaning modes, please refer to the App.

Edge Cleaning is not saved. The default cleaning mode when WINBOT is first used is Deep Cleaning.

4 Pause and Move Station

Pause

To pause WINBOT's current operation, press the station's power button. Press the button again to resume the cleaning task.

Move the Station

If you need to move the station during cleaning, firmly grip the station's handle and lift it. The suction cup will automatically unlock. Once the handle is released and falls back into place, the suction cup will automatically reattach and lock.

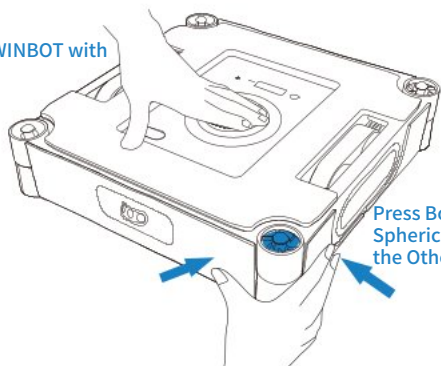
Note:

Before use, ensure there are no walls, furniture, or other obstructions within a 10 cm radius around the station's placement area. This allows the handle to naturally fall to its lowest point. If an obstruction prevents the handle from fully lowering, the suction cup's holding power may be reduced.

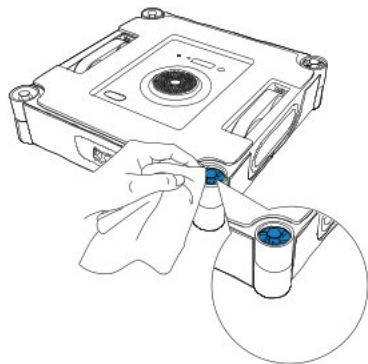
5 Maintenance During Cleaning

1. Before cleaning, ensure WINBOT is on standby and the fan is not working. Place WINBOT with its bottom facing up, press firmly on the bumpers on both sides near the spherical sensors, and release after the scrubber extends. Each time the scrubber extends for about 20 seconds, gently press a wet wipe onto the scrubber for cleaning.

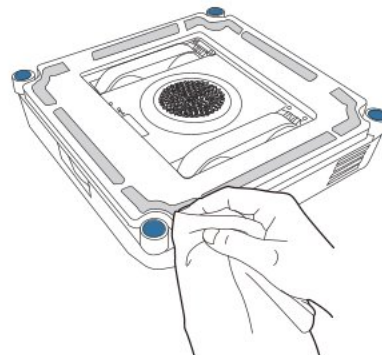
Press on WINBOT with
One Hand



Press Both Bumpers near
Spherical Sensors with
the Other Hand



2. For heavily stained glass, wash or replace the wiping pad as needed, then wipe it repeatedly. Meanwhile, ensure the 4 spherical sensors are cleaned regularly for optimal cleaning performance.


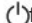


* Clean the wiping pad in time and make sure that any small particles on it are completely removed to avoid scratching the glass.

6 Finish

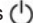
End Task Midway

To stop WINBOT's operation midway:

1. Press and hold the station's  for 2 seconds or more. WINBOT will immediately stop the current task and return to the starting point, waiting to be removed.
2. Press and hold the WINBOT's  for 2 seconds or more. The fan will stop, and follow the voice prompts to remove WINBOT.

Task Completed

Once WINBOT finishes its cleaning task, it will automatically return to the starting point and wait to be removed.

Press and hold WINBOT's  for 2 seconds or more to stop the fan. At this point, follow the voice prompts to remove WINBOT.

* When removing WINBOT, always grip the handle securely to prevent it from falling.

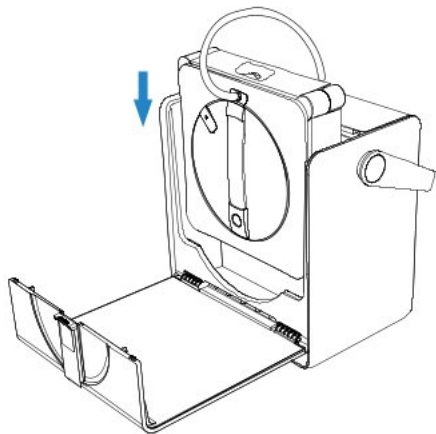
2.4 Storage and Charging After Use

Steps:

1. Store WINBOT

Place WINBOT into the station's storage box with the front facing outward and the compound cable outlet facing up. Lower it into the station from top to bottom, ensuring it hangs securely on the storage box's hook.

* Before storing WINBOT, remove the wet wiping pad. Allow it to dry completely before storage to prevent odors.

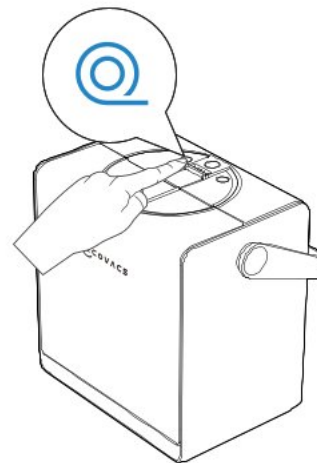


2. Retract the Cable

Once WINBOT is placed in the storage box, press the cable retract button. The station will begin retracting the cable.

* Near the end of retraction, the process will slow down. This is normal and not a cause for concern.

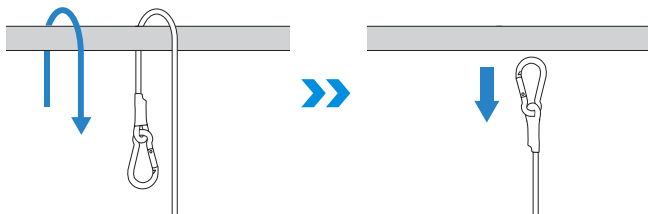
* The power cable may coil during retraction. This is normal. If needed, manually straighten the cable before pressing the cable retract button again to complete the retraction.



3. Power Off

Press and hold WINBOT's START button for 2 seconds to turn off WINBOT.

4. Unlock Safety Rope



5. Charge

Place the station near a power outlet and connect it to power. At room temperature, charging takes approximately 3 hours.

6. Store the Station

Store the station in a dry environment to prevent moisture damage to the battery and mainboard.

Note:

1. Low temperatures (e.g., 5°C) may slow down charging and extend charging time.
2. WINBOT is designed for use in temperatures between 0-40°C. Do not charge it outside this range.
3. To maintain charging time and efficiency, charge within a temperature range of 4~40°C.
4. WINBOT's fan cannot operate while charging. Use WINBOT only after charging is complete.
5. The station cannot charge while WINBOT is in operation. Wait until cleaning is complete and WINBOT is removed before charging.
6. If WINBOT is not used for an extended period, fully charge it before powering it off for storage. To prevent battery damage that could render it unusable, recharge WINBOT every six months.
7. If WINBOT is running while the station is charging, the charging speed will be significantly slower than when on standby. At room temperature (10~40°C), the estimated charging time is > 6 hours.

2.5 Advanced Features

Download the ECOVACS HOME App to control your WINBOT and unlock more features.

a. Multiple Cleaning Modes

Deep Cleaning: Denser cleaning path for tackling heavy dust.

Thorough Cleaning: Intensive cleaning for a spotless finish.

Fast Cleaning: Quick removal of light dust.

Edge Cleaning: Cleaning along edges to clear accumulated dust.

Zone Cleaning: Leftward & Rightward—flexible division for targeted cleaning.

Spot Cleaning: Repeated wiping to remove localized dust.

Heavy-Duty Cleaning: Segmented wiping for enhanced efficiency.

b. Troubleshooting

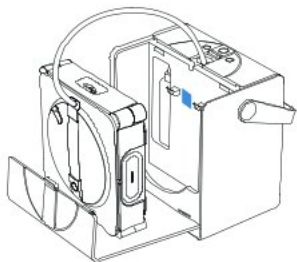
If WINBOT triggers an alarm, do not panic. Visit the App for detailed troubleshooting guidance.

c. Omnidirectional Remote Control

Use the App to control WINBOT with full-range remote functionality.

Features include: interior and exterior window views, 360° remote control, Spot Cleaning, and manual water spraying.

1. Scan the QR Code on the bottom to download the ECOVACS HOME App, or search and download the APP in the APP store.
2. Scan the QR code inside the station. Follow the App's instructions to connect to WINBOT.



Or



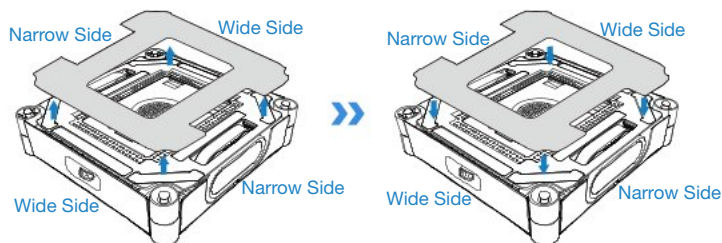
3. Component Maintenance

Wiping Pad

a. Replace Wiping Pad

Remove the dirty wiping pad and attach a new one flatly within the wiping pad holder at the bottom of WINBOT. Press and smooth the pad down to ensure a secure fit. Make sure the wide and narrow sides of the wiping pad align with those of the holder.

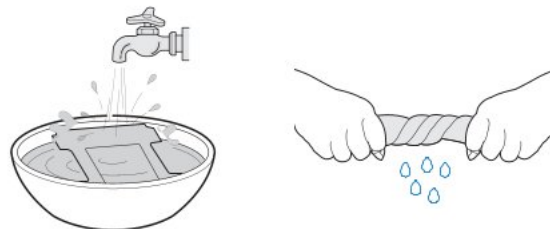
* Be careful not to stick the wiping pad outside the holder to avoid affecting WINBOT's operation.



* If the velcro on the wiping pad holder is dusty, use a cleaning brush to remove the dust. Do not wash with water to prevent water from entering the bottom of the robot, which may cause damage.

b. Wash Wiping Pad

Remove the wiping pad. Wash it with tap water, and wring it as dry as possible before use.

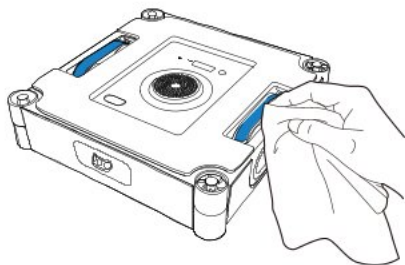


* Regularly clean the wiping pad to extend its service life. If the wiping pad becomes worn or no longer adheres securely to the velcro, replace it with a new one to achieve optimal cleaning performance.

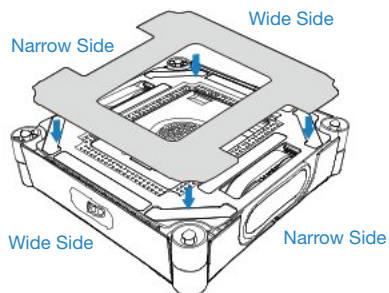
Explore more accessories at the ECOVACS HOME App or at <https://www.ecovacs.com/global>.

Driving Wheel Tracks

Before cleaning, ensure the fan is not running. Use the ECOVACS HOME App to remotely control WINBOT and check the driving wheel tracks. Pause the driving wheel tracks' operation if dirt is found. Then wipe the tracks clean with a clean cloth.

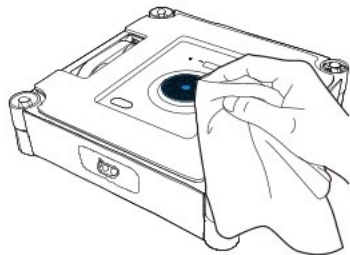


After cleaning the driving wheel tracks, install the wiping pad and resume cleaning tasks.

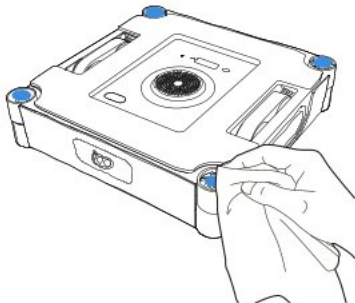


Bottom Component

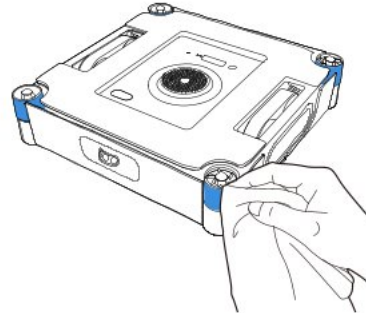
Fan: Wipe clean with a dry cloth to prevent damage to WINBOT's suction force.



Spherical Sensors: Wipe clean with a dry cloth to maintain its sensitivity.



Side Rollers: Wipe clean with a dry cloth to maintain its sensitivity.



* After WINBOT issues a low battery warning, ensure WINBOT is fully charged before using or storing it to avoid reducing battery service life.

* If WINBOT will not be used for an extended period, fully charge it, turn it off, and store it properly. To prevent battery damage and charging failure due to over-discharge, recharge it at least once every six months.

4. Troubleshooting

4.1 Issue Resolution

No.	Issues	Possible Causes	Solutions
1	WINBOT slips, such as sliding sideways or body shaking.	The wiping pad is too wet.	Refer to [Component Maintenance] in this manual to replace the wiping pad.
		WINBOT wipes non-recommended stains, such as oil stains.	Refer to [Component Maintenance] in this manual to clean the driving wheel tracks.
2	WINBOT voice prompts "Insufficient air pressure".	The wiping pad is not attached properly.	Remove the wiping pad and reattach. Make sure the wide and narrow sides of the wiping pad align with those of the holder.
		There are gaps or cracks on the window.	Do not use WINBOT on surfaces with gaps.
		There are low obstacles on the window surface.	Manually cover the obstacles before using WINBOT.
3	WINBOT voice prompts "Stuck".	The driving wheel tracks are stuck.	Check if there is any dust or debris on the driving wheel tracks. If so, clean them with tools. Then restart WINBOT for auto cleaning. If the problem persists, please contact customer service.
		There are low obstacles on the window surface.	WINBOT cannot detect obstacles or frames with a height lower than 4 mm. In this case, please go to the App and follow the instructions to help WINBOT out.
4	WINBOT voice prompts "Stuck".	There is no cleaning solution in the water tank.	Please add ECOVACS WINBOT cleaning solution in time.
		The auto-spraying function is turned off in the App.	Please go to the App and turn on the auto-spraying function.
		WINBOT is cleaning at a low water level.	<ol style="list-style-type: none"> 1. Turn off WINBOT, restart it, and reattach it. 2. Visit the App and follow the auto-spraying precautions to solve the problem. 3. If the problem persists, please contact customer service.

5	WINBOT voice prompts "WINBOT encounters an obstacle".	The internal components are abnormal.	Firmly hold the compound cable and do not stand directly below WINBOT to prevent being injured by the falling WINBOT. Slowly drag WINBOT until it can be reached. Press and hold the START button for 2 seconds, and then remove WINBOT. Turn off WINBOT, disconnect the power, and then restart it. If the issue persists after restarting, please contact customer service.
6	WINBOT has not returned to its origin and cannot be removed.	There is an error in the algorithm.	Affected by the calculation accuracy, there may be a slight error. The normal error is less than 21 cm. If the error of WINBOT returning to the origin is too large and it is inconvenient to retrieve WINBOT, please go to the App and remotely control WINBOT to return to a position that is easy to remove it.
		The remote control function was used after WINBOT was adhered to, so WINBOT does not know the original position.	Go to the App and use remote control to help WINBOT return to a position that is easy to remove.
7	WINBOT voice prompts "Please avoid the window corners."	When cleaning frameless glass, the adhering position of WINBOT is too close to the window frame.	Hold WINBOT's handle, press and hold WINBOT's START button for 2 seconds, and then remove and reattach WINBOT. It is recommended that the adhering position be more than 10 cm away from the window corners.

4.2 Connect WINBOT with APP

When connecting the robot via Bluetooth in the ECOVACS HOME App, please ensure the following conditions are met for both the robot and your phone:

1. Bluetooth on your phone is turned on.
 2. The station is powered on, and the indicator light is on.
 3. Pair WINBOT via Bluetooth in the ECOVACS HOME App; avoid pairing through your phone's Bluetooth settings.
 4. Bluetooth and Wi-Fi may interfere with each other during pairing. For optimal connection, keep WINBOT close to the phone and away from the Wi-Fi router.
 5. If WINBOT fails to connect to the App, try disconnecting other connected Bluetooth devices, ensure WINBOT is not paired with another phone, and then try again.
 6. When using remote control, Bluetooth may disconnect if the phone is too far away or if there are walls in between. If disconnected, try reconnecting at a closer distance.
 7. When using WINBOT, allow the ECOVACS HOME App to access location, Bluetooth, and phone storage permissions.
- Please contact customer service if the above methods fail to help connect.

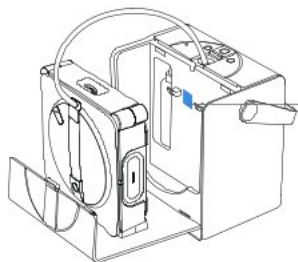
5. Technical Specifications

Model	WE005V01
Rated Input	110-120V~ 50-60Hz 0.75A
Station Dimensions (mm)	312*215*327
WINBOT Dimensions (mm)	272*272*76
Frequency Bands	2400-2483.5 MHz

Output power of the wireless module is less than 100 mW.

Note: Technical and design specifications may be changed for continues product improvement.

Access Complete Instruction Manual



Scan the QR code on the robot to access the full instruction manual.



Instructions importantes de sécurité

INSTRUCTIONS IMPORTANTES DE SÉCURITÉ

AVERTISSEMENT : Lire tous les avertissements de sécurité et toutes les instructions. Ne pas suivre les avertissements et les instructions peut entraîner une décharge électrique, un incendie ou des blessures graves.

1. Cet appareil peut être utilisé par toute personne à capacités physiques, sensorielles ou mentales réduites ou sans expérience ou connaissance, si ces personnes sont sous supervision ou ont reçu les instructions d'utilisation sécuritaire de l'appareil et comprennent les dangers impliqués. Les enfants ne doivent pas jouer avec l'appareil. Ne pas utiliser l'appareil s'il est tombé, s'il présente des signes visibles de dommages ou s'il fuit. Garder l'appareil hors de portée des enfants lorsqu'il est sous tension.
2. Ne pas utiliser et ne pas charger l'appareil dans des environnements extrêmement chauds ou froids (sous 0 °C/32 °F ou au-dessus de 40 °C/104 °F, au-dessus de 85 % d'humidité), car cela pourrait affecter la durée de vie de la batterie.
3. Vous pouvez utiliser l'appareil pour nettoyer les fenêtres extérieures s'il est bien fixé dans une position sécuritaire à l'aide du mousqueton, si les vents sont calmes et s'il ne pleut pas ou ne neige pas.
4. Avant de commencer l'utilisation, utiliser le mousqueton pour verrouiller l'attache de sécurité à une rampe intérieure solide et s'assurer que le WINBOT y est solidement fixé.
5. Ne pas laisser l'appareil sans surveillance lorsqu'il est en fonction. Pour éviter les blessures corporelles ou les dommages matériels causés par une chute accidentelle de l'appareil, s'assurer qu'il n'y a pas de personnes, d'animaux ou d'objets fragiles de valeur sous la zone de travail de WINBOT.
6. Ne pas utiliser l'appareil dans des tempêtes de vent et des vents de force 10, ou dans des zones où l'altitude dépasse 2000 mètres (6562 pieds).
7. Ne pas laisser l'appareil sans surveillance lorsqu'il est branché.
8. Pour usage domestique SEULEMENT (y compris fenêtre extérieure). Ne pas utiliser l'appareil dans les environnements commerciaux ou industriels.
9. Ne pas utiliser sur du verre cassé ou inégal, tel que du verre avec des autocollants statiques, des affiches publicitaires ou des motifs en relief, afin d'éviter que le verre ne se brise ou que l'appareil ne tombe. Ne pas utiliser l'appareil sur des surfaces présentant des espaces, comme un morceau de verre présentant des espaces ou des trous, ou deux morceaux de verre adjacents sans cadre avec un espace entre eux, afin d'éviter que l'appareil ne tombe en raison d'une mauvaise fixation.
10. Utiliser uniquement les accessoires recommandés ou fournis par le fabricant.

11. Veuillez vous assurer que la tension de votre alimentation correspond à la tension indiquée sur l'étiquette.
12. Ne pas utiliser l'appareil sur une fenêtre avec un cadre d'une dimension inférieure à 5 mm (0,2 po).
13. Ne pas utiliser sur des vitres d'une épaisseur inférieure à 3 mm (0,12 po) ou des miroirs d'une épaisseur inférieure à 4 mm (0,16 po).
14. Ne pas utiliser sur des vitres ou des miroirs dont la hauteur de poignée est de 70 à 105 mm (2,76 à 4,13 po).
15. Ne pas utiliser l'appareil sur une fenêtre graisseuse.
16. Lorsqu'il est utilisé dans un environnement à humidité élevée, les performances de nettoyage seront affectées.
17. Entreposer l'appareil loin des sources de chaleur et des matières inflammables.
18. Par temps de pluie, ne pas utiliser l'appareil sur la fenêtre extérieure pour éviter tout risque de dommage ou de chute de l'appareil.
19. Ne pas utiliser l'appareil s'il n'est pas fixé fermement à la vitre ou s'il est visiblement endommagé.
20. Pour réduire les risques d'électrocution, ne pas submerger l'appareil dans l'eau ou tout autre liquide. Ne pas placer ou entreposer l'appareil dans un endroit où il peut tomber ou être tiré dans un bain ou un lavabo.
21. Ne pas toucher la fiche électrique avec des mains humides.
22. Lors de la recharge, ne pas placer l'appareil sur un autre appareil électrique et le garder éloigné du feu et des liquides.
23. Veillez à ne pas endommager le cordon d'alimentation. Éviter de tirer ou transporter l'appareil par le câble d'alimentation, d'utiliser le câble d'alimentation en guise de poignée, de fermer une fenêtre sur le câble d'alimentation ou de placer des objets lourds sur le câble d'alimentation. Gardez le cordon d'alimentation à l'écart de toute surface chaude.
24. Ne pas utiliser l'appareil avec le cordon d'alimentation ou le collecteur est endommagé. Ne pas utiliser l'appareil s'il ne fonctionne pas correctement, s'il a été échappé ou endommagé ou s'il est entré en contact avec de l'eau. Si une réparation est nécessaire, elle doit être effectuée par le fabricant ou par son agent du service à la clientèle pour éviter tout danger.
25. Si le cordon d'alimentation est endommagé, il doit être remplacé par le fabricant ou un agent de service à la clientèle pour éviter tout danger.
26. Retirer la fiche de la prise avant d'effectuer le nettoyage ou l'entretien de l'appareil. Ne pas débrancher en tirant sur le cordon. Pour débrancher, saisissez la fiche, pas le cordon.
27. La batterie de sécurité doit être remplacée par le fabricant ou un agent de service après-vente pour éviter tout danger.
28. La batterie de sécurité doit être retirée et mise au rebut de façon appropriée et en accord avec les lois et règlements locaux avant la mise au rebut de l'appareil.

29. Débrancher l'appareil du collecteur avant d'enlever la batterie pour la mise au rebut de l'appareil.
30. Veuillez mettre les batteries usagées au rebut conformément aux lois et aux réglementations locales.
31. Ne pas incinérer l'appareil, même s'il est gravement endommagé. La batterie peut exploser si elle est exposée au feu.
32. L'appareil doit être utilisé selon les directives fournies dans ce manuel d'instructions.
L'entreprise ne peut pas être tenue responsable des blessures ou des dommages causés par une utilisation inappropriée.
33. Le robot contient des batteries qui ne doivent être remplacées que par des personnes qualifiées.
34. La prise et le poste doivent être utilisés à l'intérieur.
35. Si le verre à vide sur lequel travaille WINBOT fuit, retirer WINBOT immédiatement après le nettoyage.
36. Avant le nettoyage, veuillez observer la zone de fixation du WINBOT pour détecter les petites particules. S'il y en a, veuillez les retirer ou passer à une zone exempte de particules pour éviter de rayer le verre.
37. Nettoyer le tampon nettoyeur de temps en temps et s'assurer que toutes les petites particules qui s'y trouvent sont complètement éliminées pour éviter de rayer le verre.
38. Prévenir le démarrage accidentel. S'assurer que l'interrupteur est à la position d'arrêt avant de connecter au bloc-piles, de ramasser ou de transporter l'appareil. Transporter l'appareil avec le doigt sur l'interrupteur ou l'alimenter alors que l'interrupteur est à la position demarche peut augmenter les risques d'accident.
39. Utiliser les appareils uniquement avec les blocs-batteries conçus à cet effet. L'utilisation de tout autre bloc-batterie peut créer un risque de blessure et d'incendie.
40. Dans des conditions abusives, du liquide peut être éjecté de la batterie; éviter tout contact avec ce liquide. En cas de contact accidentel, rincer immédiatement les parties atteintes avec de l'eau. Si du liquide entre en contact avec les yeux, rincer immédiatement avec de l'eau et consulter un professionnel de la santé. Le liquide s'échappant de la batterie peut causer des irritations ou des brûlures.
41. N'utilisez pas un bloc-batterie ou un appareil qui est endommagé ou modifié. Les batteries endommagées ou modifiées peuvent avoir un comportement imprévisible pouvant causer un incendie, une explosion ou des blessures.

42. N'exposez pas un bloc-batterie ou un appareil au feu ou à une température élevée. Une exposition au feu ou à une température supérieure à 130 °C peut causer une explosion. La température de 130 °C est équivalente à 265 °F.
43. Suivez toutes les instructions de recharge et ne rechargez pas le bloc-batterie ou l'appareil si la température est en dehors de la plage spécifiée dans les instructions. Une recharge incorrecte ou à une température en dehors de la plage spécifiée peut endommager la batterie et augmenter le risque d'incendie.
44. L'entretien doit être effectué par un technicien qualifié uniquement avec des pièces de rechange identiques. Cela assurera le maintien de la sécurité du produit.
45. Ne modifiez pas l'appareil ou le bloc-batterie (le cas échéant), sauf comme indiqué dans les instructions d'utilisation et d'entretien.
46. La température ambiante minimale pour le stockage de la batterie est de 30 °C et la plage de température ambiante recommandée. Pour la charge, la température est comprise entre 4 °C et 40 °C.
47. Lorsque le bloc-piles n'est pas utilisé, gardez-le à l'écart des autres objets en métal, comme des trombones, des pièces de monnaie, des clés, des clous, des vis ou d'autres petits objets métalliques qui peuvent faire une connexion d'un terminal à un autre. Court-circuit de la batterie les bornes peuvent provoquer des crises ou un incendie.
48. Pour réduire le risque de blessure, une surveillance étroite est nécessaire lorsqu'un appareil est utilisé près d'enfants.
49. Ne pas entrer en contact avec les pièces mobiles.

CONSERVER CES INSTRUCTIONS

Déclaration sur les interférences de la Federal Communications Commission (FCC)

Cet équipement a été testé et jugé conforme aux limites pour appareils numériques de classe B, conformément à la section 15 des règlements de la FCC.

Ces limites sont destinées à assurer une protection raisonnable contre les interférences nuisibles dans une installation résidentielle. Cet équipement génère, utilise et peut émettre de l'énergie radioélectrique et peut, en cas d'installation ou d'utilisation non conforme aux instructions, engendrer des interférences nuisibles aux communications radio.

Cependant, on ne peut pas garantir que des interférences ne se produiront pas dans certaines installations. Si cet équipement cause des interférences nuisibles à la réception des signaux de radio ou de télévision, ce qui peut être déterminé en allumant et en éteignant l'appareil, nous conseillons à l'utilisateur d'essayer de corriger ces interférences à l'aide d'un des moyens suivants : Réorienter ou repositionner l'antenne de réception.

Augmenter la distance séparant l'équipement du récepteur.
Brancher l'équipement dans une prise sur un circuit différent de celui auquel le récepteur est branché.

Consulter le revendeur ou un technicien qualifié spécialisé en radio/téléviseur pour obtenir de l'aide.

Le présent appareil est conforme aux CNR d'Industrie Canada applicables aux appareils radio exempts de licence. L'exploitation est autorisée aux deux conditions suivantes:

(1) cet appareil ne doit pas engendrer des interférences nuisibles et (2), cet appareil doit accepter toute interférence reçue, y compris les interférences pouvant entraîner un

fonctionnement indésirable.

Avertissement de la: Toute transformation ou modification non expressément autorisée par l'autorité responsable de la conformité pourrait annuler le droit de l'utilisateur à utiliser cet équipement.

Avertissement relatif à l'exposition aux radiofréquences

Cet équipement est conforme aux limites d'exposition aux radiations définies par la FCC pour un environnement non contrôlé.

Les antennes installées doivent être situées de façon à ce que la population ne puisse y être exposée à une distance de moins de 20 cm. Installer les antennes de façon à ce que le personnel ne puisse approcher à 20 cm ou moins de la position centrale de l'antenne.

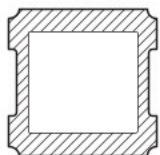
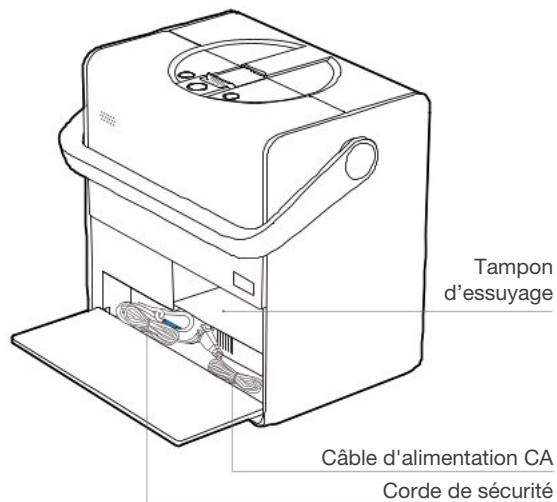
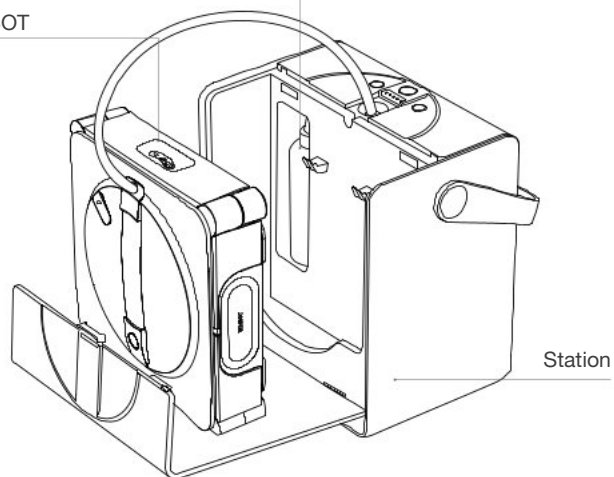
	Courant alternatif
---	---------------------------

1. Présentation du produit

1.1 Contenu du colis

Solution de nettoyage ECOVACS WINBOT

WINBOT



Tampon d'essuyage

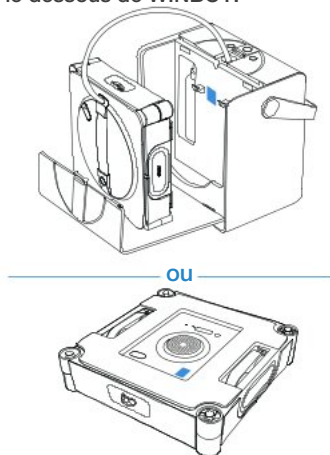


Manuel d'utilisation

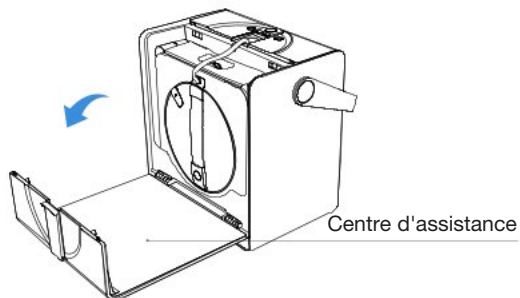
Remarque : Les illustrations de ce manuel sont fournies uniquement à titre indicatif et peuvent différer de l'appareil. La conception et les spécifications du produit sont susceptibles d'être modifiées sans préavis.

1.2 Guide d'information

1 Le code QR de configuration du réseau se trouve à l'intérieur de la station et sur le dessous de WINBOT.

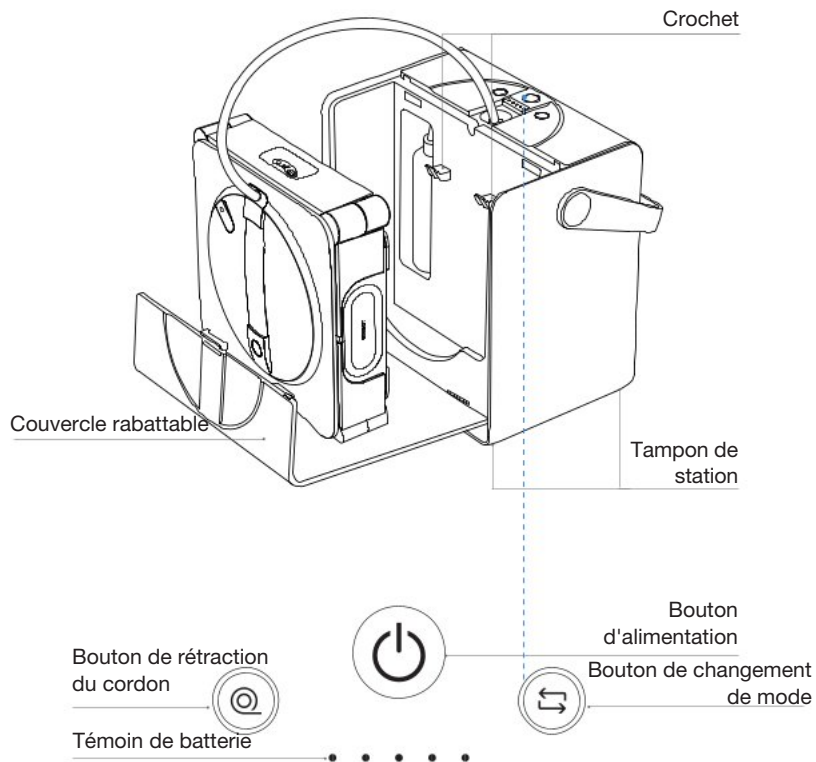


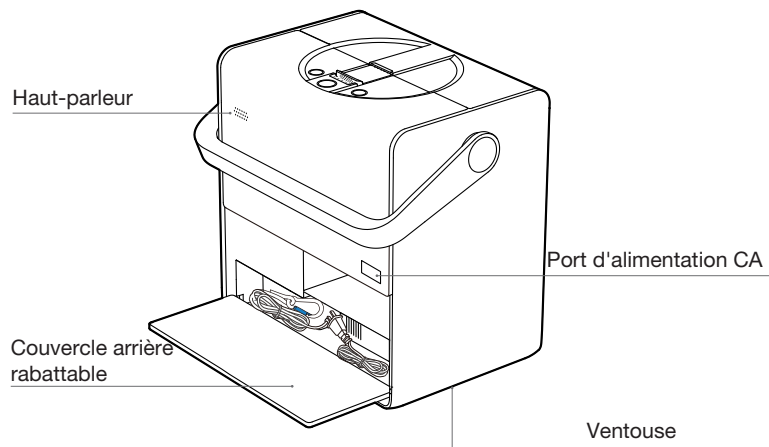
2 Pour les problèmes courants concernant l'utilisation et l'applicabilité, reportez-vous au « Centre d'assistance » à l'intérieur du couvercle de la station.



3 Pour le dépannage, connectez-vous à l'application ECOVACS HOME.

1.3 Schéma du produit





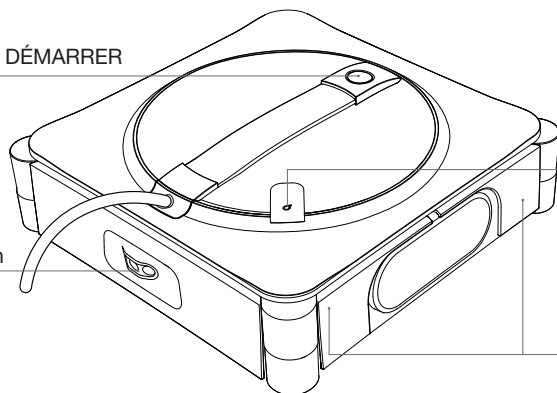
Vue de face

Voyant d'état/Bouton DÉMARRER

Buse de pulvérisation

Ouverture de remplissage

Pare-chocs



Vue du dessous

Brosse autonettoyante

Rails des roues motrices

Rouleaux latéraux

Capteurs sphériques

Indicateur de niveau de liquide

Bouton RÉINITIALISER

Capteur d'aspiration

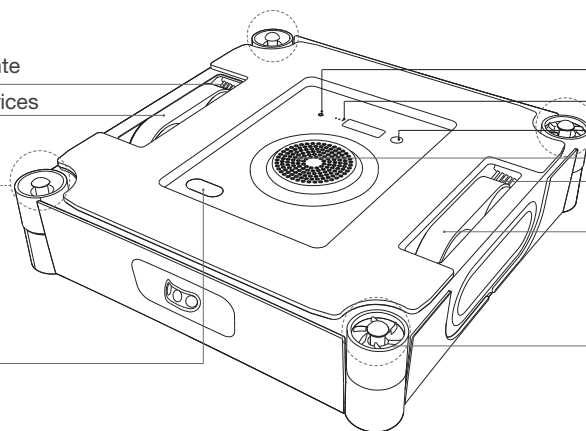
Voyant d'état inférieur

Ventilateur

Brosse autonettoyante

Rails des roues motrices

Nettoyeur TruEdge



2. Démarrage rapide

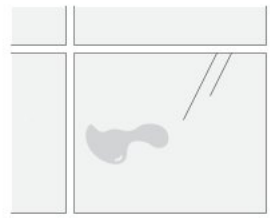
2.1 Remarques avant le nettoyage

- 1 N'utilisez pas WINBOT sur des fenêtres présentant de la condensation ou des taches d'huile. Ne l'utilisez pas dans des environnements extrêmement froids ou chauds.

WINBOT peut avoir des difficultés à se déplacer dans les conditions suivantes.



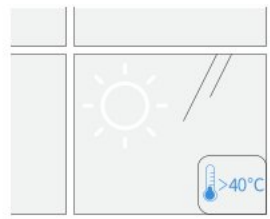
Condensation



Taches d'huile



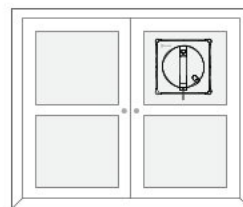
Températures en dessous de 0 °C



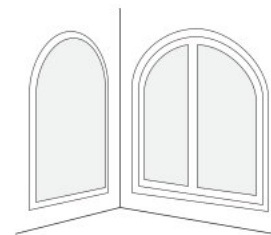
Températures au-dessus de 40 °C

- 2 N'utilisez pas WINBOT sur des fenêtres trop petites ou de formes irrégulières.

WINBOT ne peut pas se déplacer dans les conditions suivantes.



Petit verre



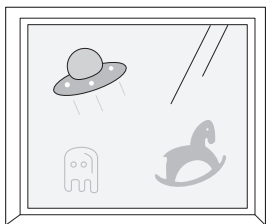
Formes irrégulières

 WINBOT offre des performances optimales sur les fenêtres grandes et carrées.

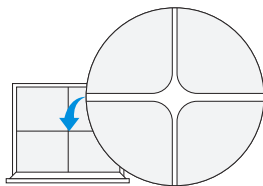
 WINBOT offre des performances optimales sur des surfaces sèches et à des températures supérieures à 0 °C.

3 N'utilisez pas WINBOT sur des fenêtres inégales.

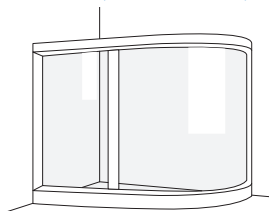
WINBOT peut présenter une pression d'air insuffisante dans les conditions suivantes.



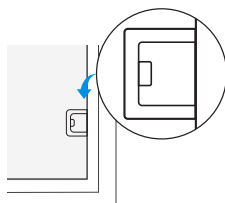
Décalcomanies électrostatiques pour fenêtres, autocollants, etc.



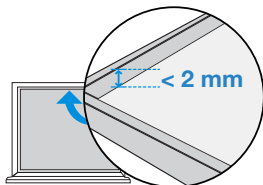
Fissures



Verre courbé



Hauteur de l'obstacle < 4 mm



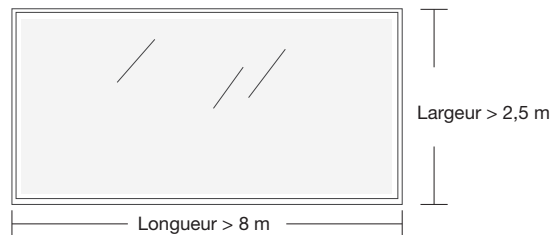
Hauteur du cadre < 2 mm



WINBOT fonctionne mieux sur une surface lisse et plane pour assurer une aspiration stable et un mouvement fluide.

4 N'utilisez pas WINBOT sur des fenêtres de très grande taille.

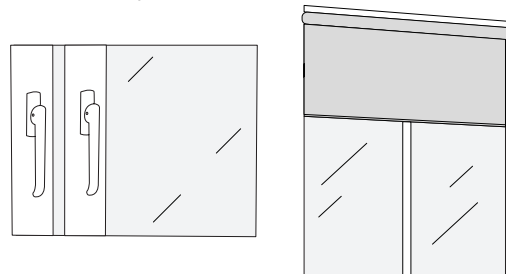
Limité par la longueur du câble composite, WINBOT peut être confronté à des difficultés pour naviguer sur toute la fenêtre lorsque les dimensions de celle-ci dépassent 8 m * 2,5 m.



* Applicable uniquement en mode de nettoyage par zone.

5 N'utilisez pas WINBOT à proximité d'espaces étroits proches de sa hauteur.

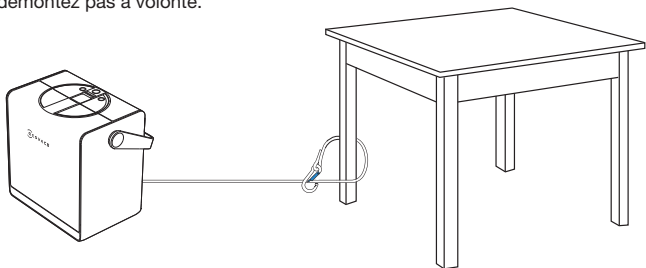
WINBOT peut rester coincé lorsque les espaces étroits, les ouvertures ou les espaces entre les poignées de fenêtres/poignées de portes/boîtes à rideaux/armoires et les surfaces comme les murs/fenêtres, sont proches de sa hauteur.



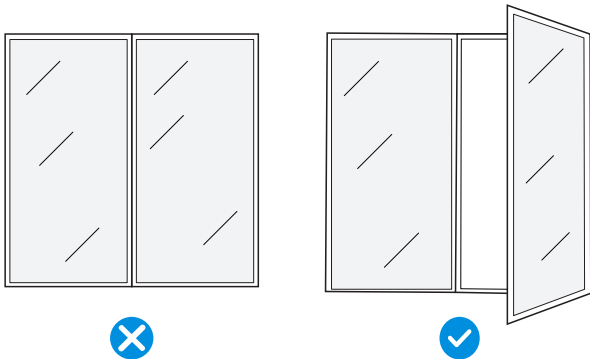
Essayez de placer WINBOT entre les interstices pour vérifier qu'il peut passer en toute sécurité. S'il est coincé, n'utilisez pas le robot à cet endroit pour éviter de l'endommager ou d'abîmer les meubles environnants.

Avant utilisation, assurez-vous que le mousqueton de la station est solidement fixé à un objet stable et immobile tel qu'un pied de table, un pied de chaise, un pied de lit, un pied de canapé, une tringle à rideau ou une rampe d'escalier. Verrouillez le mousqueton pour éviter tout accident.

La corde de sécurité et son mousqueton sont pré-installés en usine. Ne les démontez pas à volonté.



Pour nettoyer les portes à panneaux en verre, ouvrez la porte avant de fixer WINBOT, afin d'éviter qu'il ne tombe en raison des espaces étroits de la porte.



2.2 Préparation avant utilisation

1 Aperçu de la station et des effets lumineux

Fonctions des boutons

 Appuyer
Pause/Reprendre Appuyez et maintenez enfoncé
Marche/arrêt

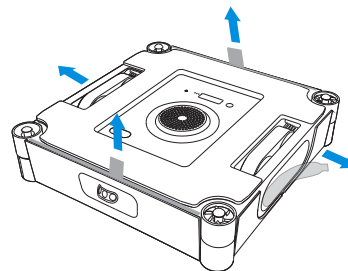
 Appuyer
Enroulement automatique  Appuyer
du cordon Changement de mode

• • • • • Témoins de batterie

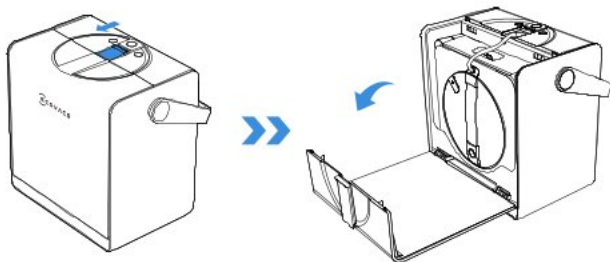
Lorsque WINBOT fonctionne

Retour au point de départ : Appuyez sur le bouton  et maintenez-le enfoncé.

Remarque : Veuillez retirer tous les matériaux de protection, y compris, mais sans s'y limiter, les bandes de protection EPE enveloppant WINBOT et les films de protection sur les côtés de WINBOT.



Comment ouvrir le couvercle rabattable



Voyant d'état

Témoin	Effet lumineux	Signification
Bouton DÉMARRER/ Voyant d'état inférieur	Bleu fixe	WINBOT fonctionne correctement.
	Rouge clignotant	Panne. WINBOT ne parvient pas à fonctionner correctement.
Bouton d'alimentation de la station	Bleu fixe	WINBOT et la station fonctionnent correctement.
	Rouge clignotant	WINBOT et la station présentent des dysfonctionnements et ne peuvent pas fonctionner correctement.
Témoin de batterie de la station	Bleu fixe (> 1 témoin allumé)	Batterie pleine.
	Effet de respiration bleu	La station est en charge.
	Bleu fixe (1 témoin allumé)	Batterie insuffisante. Veuillez le raccorder à l'alimentation électrique pour l'utiliser.
	Bleu clignotant (1 témoin allumé)	La batterie est trop faible. Veuillez le charger jusqu'à ce que le témoin devienne bleu fixe avant utilisation.
	Effet de respiration rouge	Charge en cours avec batterie très faible.

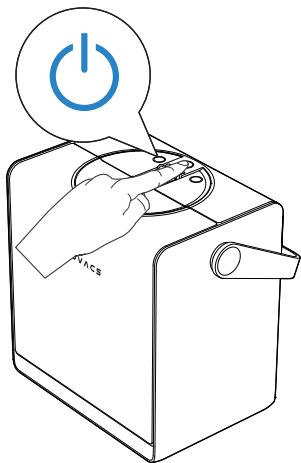
2 Mise en marche

Appuyez sur le bouton d'alimentation et maintenez-le enfoncé pendant plus de 2 secondes pour allumer la station et WINBOT.

La station prend en charge 2 modes de fonctionnement :

1. Lorsqu'elle n'est pas connectée à une prise de courant, la station utilise sa batterie intégrée pour alimenter WINBOT.

2. Lorsqu'il est connecté à une prise de courant, WINBOT peut fonctionner normalement pendant que la batterie intégrée de la station se charge lentement. Pour obtenir des instructions de chargement, veuillez vous référer à [2.4 Stockage et chargement après utilisation].



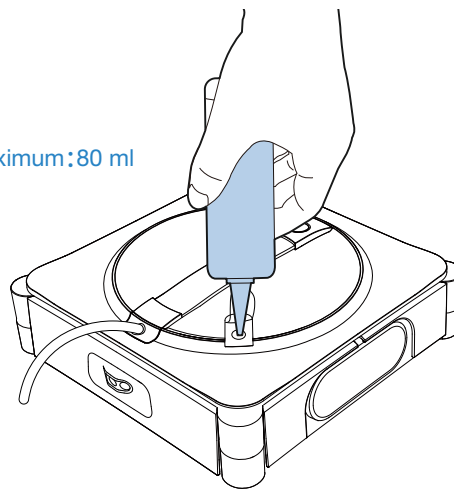
* Lorsque WINBOT est allumé, mais que le ventilateur ne fonctionne pas, il entre automatiquement en mode veille et s'éteint s'il n'y a aucune opération sur les boutons de la station ou de WINBOT pendant ≥ 20 minutes. Pour redémarrer, appuyez à nouveau sur le bouton d'alimentation de la station et maintenez-le enfoncé. (WINBOT ne passe ni en mode veille ni ne s'éteint automatiquement pendant la charge)

3 Ajout de la solution de nettoyage

Ajoutez la solution de nettoyage ECOVACS WINBOT dans le réservoir d'eau. La capacité maximale du réservoir d'eau est d'environ 80 ml.

- ✓ Il est recommandé d'utiliser la solution de nettoyage ECOVACS WINBOT pour des résultats de nettoyage optimaux.
* Si la solution de nettoyage ECOVACS WINBOT est épuisée, vous pouvez utiliser temporairement de l'eau du robinet. Cependant, la solution de nettoyage ECOVACS WINBOT offre de meilleurs résultats de nettoyage.
- ✗ Pour éviter d'endommager le produit, n'utilisez pas d'autres solutions de nettoyage que la solution de nettoyage ECOVACS WINBOT. N'utilisez pas d'eau purifiée ni d'eau filtrée.

Maximum: 80 ml



4 Installation du tampon d'essuyage

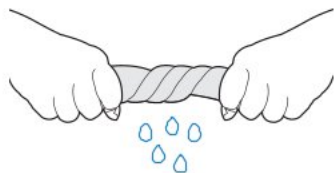
1. Humidifier le tampon d'essuyage

Avant utilisation, humidifiez le tampon d'essuyage.



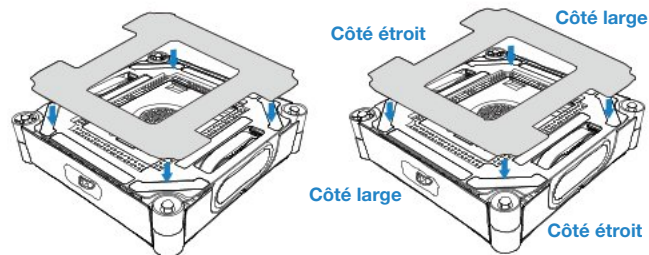
2. Essorer le tampon d'essuyage

Essorez le tampon d'essuyage pour éliminer l'excès d'eau. Pour des performances de nettoyage optimales, assurez-vous qu'il soit essoré autant que possible.



3. Fixer le tampon d'essuyage

Fixez le tampon d'essuyage sur le bloc auto-agrippant situé en dessous de WINBOT, en vous assurant que les côtés étroits et larges sont correctement alignés. Appuyez ensuite fermement pour fixer le tampon en place.



2.3 Mise en route

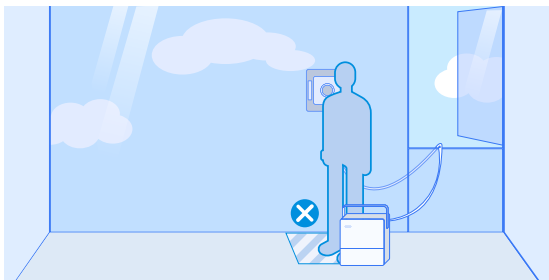
1 Placer la station

Placez la station à côté de la fenêtre à nettoyer.

Remarques :

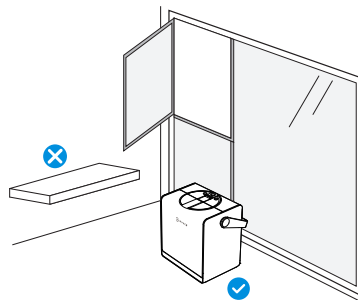
1. Placez la station aussi près que possible de la fenêtre pour éviter que le câble composite ne devienne un risque de trébuchement pour les personnes ou les animaux domestiques.

2. Lors du nettoyage de grandes fenêtres pleine longueur, placez la station sur le sol près de l'ouverture de la fenêtre pour éviter toute tension sur le cordon d'alimentation.



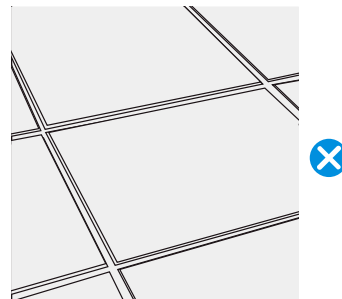
* Le cordon d'alimentation de WINBOT mesure 5,5 m de long et la taille maximale appropriée d'une fenêtre unique est de 8 m de large sur 2,5 m de haut.

3. Placez toujours la station sur un sol plat et sans joint.



* Ne placez pas la station sur des surfaces surélevées telles que des tables ou des comptoirs.

4. Ne placez pas la station sur des surfaces inégales, telles que des tapis ou des sols carrelés/en bois avec des interstices.



* La ventouse située au bas de la station est conçue pour les sols lisses et sans joints tels que les sols polis, les carrelages et le marbre sans interstices.

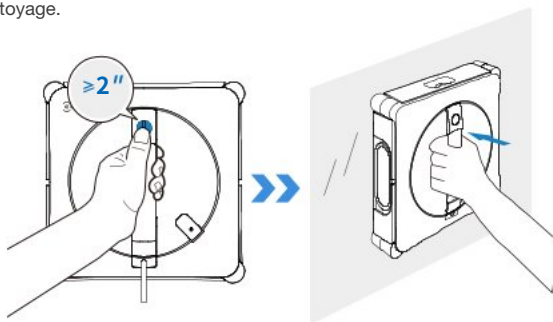
2 Commencer le nettoyage

Assurez-vous que la station est allumée.

1. Avant le nettoyage, assurez-vous que la zone est propre et plus grande que la taille de WINBOT, puis fixez-le à la vitre.
2. Appuyez sur le bouton DÉMARRER de WINBOT et maintenez-le enfoncé pendant 2 secondes pour activer le ventilateur.
2. Après avoir entendu le ventilateur démarrer, placez le bas de WINBOT (le côté avec le tampon d'essuyage) contre la vitre. WINBOT adhère automatiquement à la fenêtre et commence le nettoyage.

Remarques :

- * Ne collez pas WINBOT trop près du bord lors du nettoyage du verre sans encadrement. Il est recommandé de le tenir à plus de 10 cm du bord.
- * WINBOT ne peut être utilisé que sur des surfaces planes et sans joints.
- * Après la mise en marche, tenez le ventilateur éloigné des cheveux et des petits objets pour éviter tout blocage.
- * Ne vous tenez pas en dessous ou à proximité de WINBOT pendant le nettoyage.



3 Changer de mode de nettoyage

Pendant que WINBOT fonctionne, les modes de nettoyage peuvent être changés en appuyant sur le bouton de changement de mode de la station. WINBOT commencera automatiquement le nettoyage dans le mode nouvellement sélectionné.

Remarques :

* Le bouton de changement de mode de la station permet de faire défiler successivement les modes de Nettoyage en profondeur, Nettoyage complet, Nettoyage rapide, Nettoyage des bords. Pour plus de modes de nettoyage, reportez-vous à l'application ECOVACS HOME.

Sélectionner un mode de nettoyage

Utilisez le bouton de la station pour choisir le mode de nettoyage approprié. Si aucune sélection n'est effectuée, WINBOT reviendra par défaut au dernier mode utilisé.

Modes de nettoyage recommandés :

Fenêtres intérieures : En général, les fenêtres intérieures ne sont pas très sales. Le mode Nettoyage rapide est recommandé.

Fenêtres extérieures : En général, les fenêtres extérieures sont très sales. Le mode Nettoyage en profondeur est recommandé.

Pour plus de détails sur les modes de nettoyage, veuillez vous référer à l'application.

Le mode Nettoyage des bords n'est pas enregistré. Le mode de nettoyage par défaut, lors de la première utilisation de WINBOT, est le mode Nettoyage en profondeur.

4 Pause et déplacement de la station

Pause

Pour mettre en pause la tâche en cours de WINBOT, appuyez sur le bouton d'alimentation de la station. Appuyez à nouveau sur le bouton pour reprendre la tâche de nettoyage.

Déplacement de la station

Si vous devez déplacer la station pendant le nettoyage, saisissez fermement la poignée de la station et soulevez-la. La ventouse se déverrouillera automatiquement. Une fois la poignée relâchée et remise en place, la ventouse se réattache et se verrouille automatiquement.

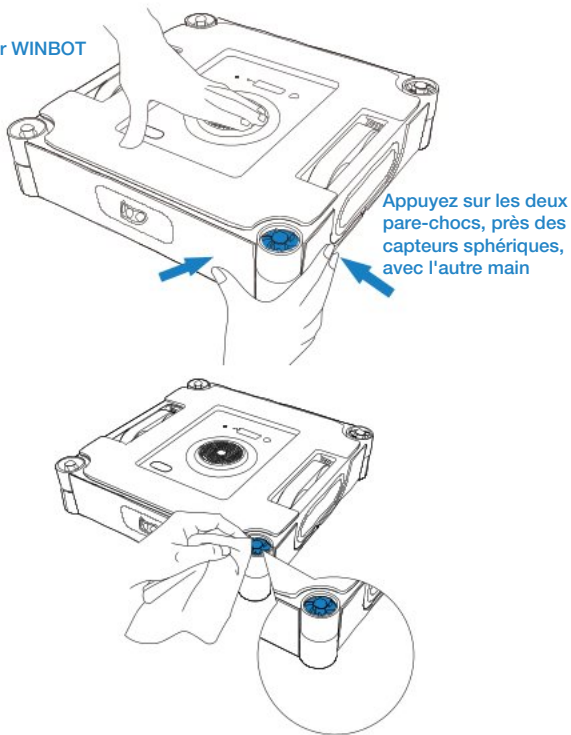
Remarque :

Avant utilisation, assurez-vous qu'il n'y a pas de murs, de meubles ou d'autres obstacles dans un rayon de 10 cm autour de la zone de positionnement de la station. Cela permet à la poignée de tomber naturellement à son point le plus bas. Si un obstacle empêche la poignée de s'abaisser complètement, la puissance de maintien de la ventouse peut être réduite.

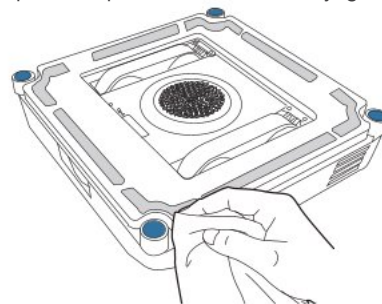
5 Maintenance pendant le nettoyage

1. Avant le nettoyage, assurez-vous que WINBOT est en veille et que le ventilateur ne fonctionne pas. Placez WINBOT avec son fond vers le haut, appuyez fermement sur les pare-chocs des deux côtés, près des capteurs sphériques et relâchez une fois que le nettoyeur s'étend. Chaque fois que la brosse s'étend pendant environ 20 secondes, appuyez doucement une lingette humide sur la brosse pour le nettoyage.

Appuyez sur WINBOT d'une main



2. Pour les vitres très sales, lavez ou remplacez le tampon d'essuyage si nécessaire, puis essuyez à plusieurs reprises. Pendant ce temps, assurez-vous que les 4 capteurs sphériques sont nettoyés régulièrement pour des performances de nettoyage optimales.





* Nettoyez le tampon d'essuyage à temps et assurez-vous que toutes les petites particules qui s'y trouvent sont complètement éliminées pour éviter de rayer le verre.

6 Finition


Fin de tâche à mi-chemin

Pour arrêter le fonctionnement de WINBOT à mi-chemin :

1. Appuyez et maintenez enfoncé le bouton de la station  pendant 2 secondes ou plus. WINBOT arrêtera immédiatement la tâche en cours et reviendra au point de départ, en attendant d'être retiré.
2. Appuyez et maintenez enfoncé le bouton WINBOT  pendant 2 secondes ou plus. Le ventilateur s'arrêtera, suivez les instructions vocales pour retirer WINBOT.

Tâche terminée

Une fois que WINBOT a terminé sa tâche de nettoyage, il reviendra automatiquement au point de départ et attendra d'être retiré.

Appuyez et maintenez enfoncé le bouton WINBOT  pendant 2 secondes ou plus pour arrêter le ventilateur. À ce stade, suivez les instructions vocales pour retirer WINBOT.

* Lors du retrait de WINBOT, saisissez toujours fermement la poignée pour éviter qu'il ne tombe.

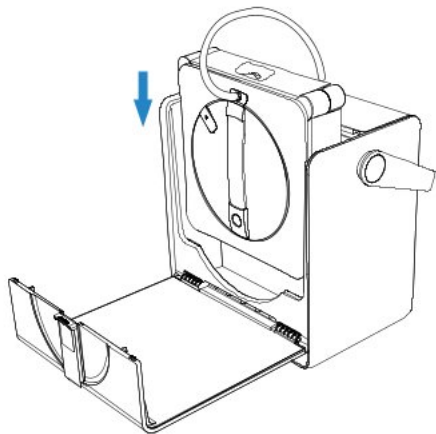
2.4 Stockage et charge après utilisation

Étapes :

1. Ranger WINBOT

Placez WINBOT dans le boîtier de rangement de la station, la face avant tournée vers l'extérieur et la sortie du câble composite vers le haut. Abaissez-le dans la station de haut en bas, en vous assurant qu'il est bien accroché au crochet du boîtier de rangement.

* Avant de ranger WINBOT, retirez le tampon d'essuyage humide. Laissez-le sécher complètement avant de le ranger pour éviter les odeurs.

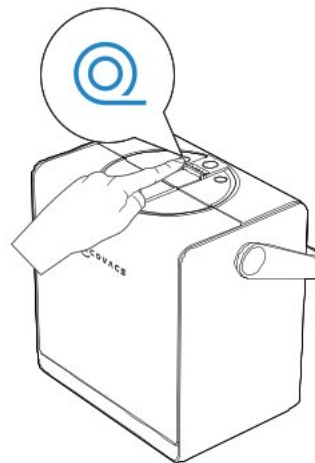


2. Rétracter le cordon

Une fois WINBOT placé dans le boîtier de rangement, appuyez sur le bouton de rétraction du cordon. La station commencera à rétracter le cordon.

* Vers la fin de la rétraction, le processus ralentira. Ceci est normal et ne constitue pas une source d'inquiétude.

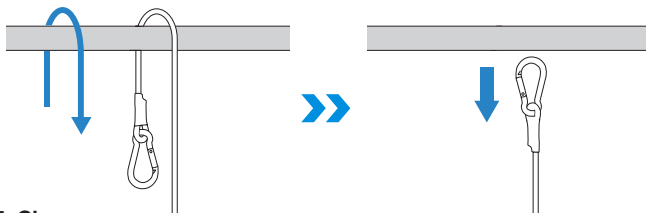
* Le cordon d'alimentation peut s'enrouler pendant la rétraction. C'est normal. Si nécessaire, redressez manuellement le cordon avant d'appuyer à nouveau sur le bouton de rétraction du cordon pour terminer la rétraction.



3. Mise à l'arrêt

Appuyez sur le bouton DÉMARRER de WINBOT et maintenez-le enfoncé pendant 2 secondes pour éteindre WINBOT.

4. Détacher la corde de sécurité



5. Charge

Placez la station près d'une prise de courant et branchez-la à l'alimentation. À température ambiante, la charge dure environ 3 heures.

6. Stocker la station

Stockez la station dans un environnement sec pour éviter que de l'humidité n'endommage la batterie et la carte mère.

Remarque :

1. Les basses températures (par exemple, 5 °C) peuvent ralentir la charge et prolonger le temps de charge.
2. WINBOT est conçu pour être utilisé à des températures comprises entre 0 et 40 °C. Ne le chargez pas en dehors de cette plage.
3. Pour maintenir le temps de charge et l'efficacité, chargez dans une plage de température de 4 à 40 °C.
4. Le ventilateur de WINBOT ne peut pas fonctionner pendant la charge. Utilisez WINBOT uniquement une fois la charge terminée.
5. La station ne peut pas charger pendant que WINBOT est en fonctionnement. Attendez que le nettoyage soit terminé et que WINBOT soit retiré avant de charger.
6. S'il est prévu que WINBOT ne soit pas utilisé pendant une période prolongée, chargez-le complètement avant de l'éteindre pour le stocker. Pour éviter d'endommager la batterie et de la rendre inutilisable, rechargez WINBOT tous les six mois.
7. Si WINBOT fonctionne pendant que la station est en charge, la vitesse de charge sera considérablement plus lente qu'en veille. À température ambiante (10–40 °C), le temps de charge estimé est > 6 heures.

2.5 Fonctionnalités avancées

Téléchargez l'application ECOVACS HOME pour contrôler votre WINBOT et débloquer plus de fonctionnalités.

a. Modes de nettoyage multiples

Nettoyage en profondeur : chemin de nettoyage plus dense pour s'attaquer à une forte poussière.

Nettoyage complet : nettoyage intensif pour une finition impeccable.

Nettoyage rapide : élimination rapide des fines poussières.

Nettoyage des bords : nettoyage le long des bords pour éliminer la poussière accumulée.

Nettoyage de zone : vers la gauche et vers la droite : division flexible pour un nettoyage ciblé.

Nettoyage ciblé : essuyage répété pour éliminer la poussière localisée.

Nettoyage intensif : Essuyage segmenté pour une efficacité accrue.

b. Dépannage

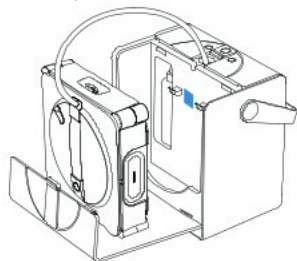
Si WINBOT déclenche une alarme, ne paniquez pas. Rendez-vous dans l'application pour obtenir des conseils de dépannage détaillés.

c. Contrôle à distance omnidirectionnel

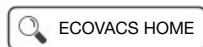
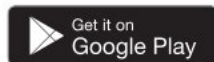
Utilisez l'application pour contrôler WINBOT avec une fonctionnalité à distance complète. Les fonctionnalités comprennent : des vues des fenêtres intérieures et extérieures, un contrôle à distance 360°, le nettoyage ciblé et la pulvérisation d'eau manuelle.

1. Scannez le code QR en bas pour télécharger l'application ECOVACS HOME, ou recherchez et téléchargez l'application dans l'App Store.

2. Scannez le code QR à l'intérieur de la station. Suivez les instructions de l'application pour vous connecter à WINBOT.



ou



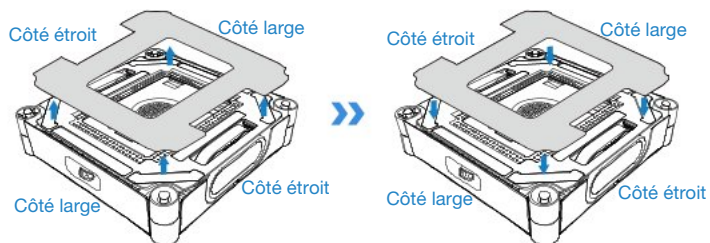
3. Maintenance des composants

Tampon d'essuyage

a. Remplacer le tampon d'essuyage

Retirez le tampon d'essuyage sale et fixez-en un nouveau à plat sur le support de tampon d'essuyage au bas de WINBOT. Appuyez et lissez le tampon pour assurer un ajustement sûr. Assurez-vous que les côtés larges et étroits du tampon d'essuyage sont alignés avec ceux du support.

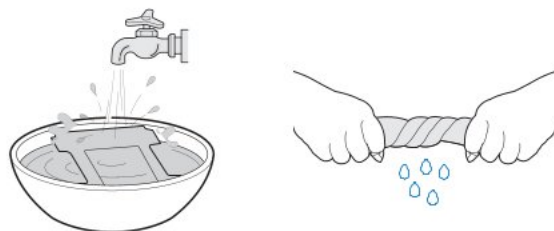
* Veillez à ne pas fixer le tampon d'essuyage à l'extérieur du support afin d'éviter d'affecter le fonctionnement normal de WINBOT.



* Si le bloc auto-agrippant du support du tampon d'essuyage est poussiéreux, utilisez une brosse de nettoyage pour enlever la poussière. Ne lavez pas à l'eau pour éviter que l'eau ne pénètre dans le fond du robot, ce qui pourrait l'endommager.

b. Laver le tampon d'essuyage

Retirez le tampon d'essuyage. Lavez-le à l'eau du robinet et essorez-le au maximum avant utilisation.



* Nettoyez régulièrement le tampon d'essuyage pour prolonger sa durée de vie. Si le tampon d'essuyage est usé ou n'adhère plus de façon sûre au bloc auto-agrippant, remplacez-le par un neuf afin d'obtenir des performances de nettoyage optimales.

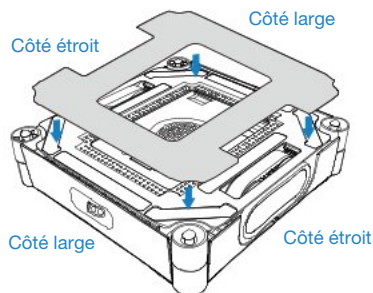
Découvrez d'autres accessoires dans l'application ECOVACS HOME ou sur <https://www.ecovacs.com/global>.

Rails des roues motrices

Avant le nettoyage, assurez-vous que le ventilateur ne fonctionne pas. Utilisez l'application ECOVACS HOME pour contrôler à distance WINBOT et vérifiez les rails des roues motrices. Suspendez le fonctionnement des rails des roues motrices si de la saleté est détectée. Ensuite, essuyez-les avec un chiffon propre.

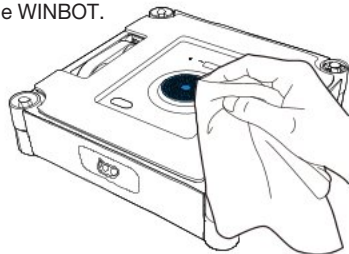


Après avoir nettoyé les rails des roues motrices, installez le tampon d'essuyage et reprenez les tâches de nettoyage.

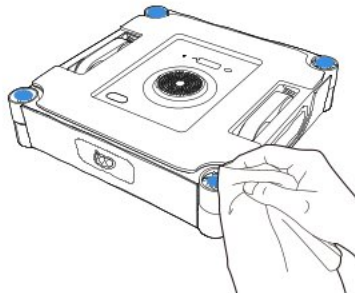


Composant inférieur

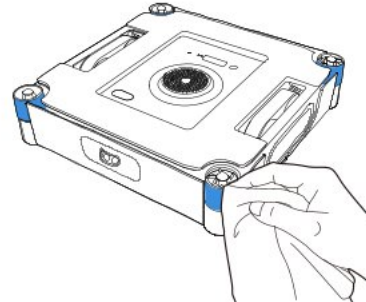
Ventilateur : essuyez-le avec un chiffon sec pour éviter d'endommager la force d'aspiration de WINBOT.



Capteurs sphériques : Essuyez-les avec un chiffon sec pour conserver leur sensibilité.



Rouleaux latéraux : Essuyez-les avec un chiffon sec pour conserver leur sensibilité.



* Après que WINBOT a émis un avertissement de batterie faible, assurez-vous de charger complètement WINBOT avant de l'utiliser ou de le ranger, afin d'éviter de réduire la durée de vie de la batterie.

* S'il est prévu que WINBOT ne soit pas utilisé pendant une période prolongée, chargez-le complètement, éteignez-le puis rangez-le correctement. Pour éviter d'endommager la batterie et éviter une panne de charge due à une décharge excessive, rechargez-la au moins une fois tous les six mois.

4. Dépannage

4.1 Résolution des problèmes

Numéro	Problèmes	Causes possibles	Solutions
1	WINBOT glisse, par exemple en glissant latéralement ou en tremblant.	Le tampon d'essuyage est trop mouillé.	Reportez-vous à la section [Maintenance des composants] de ce manuel pour remplacer le tampon d'essuyage.
		WINBOT essuie les taches non recommandées comme les taches d'huile.	Reportez-vous à la section [Maintenance des composants] de ce manuel pour nettoyer les rails des roues motrices.
2	La voix de WINBOT indique « Pression d'air insuffisante ».	Le tampon d'essuyage n'est pas correctement fixé.	Retirez le tampon d'essuyage et remettez-le en place. Assurez-vous que les côtés larges et étroits du tampon d'essuyage sont alignés avec ceux du support.
		Des trous ou des fissures sont observés sur la fenêtre.	N'utilisez pas WINBOT sur des surfaces comportant des espaces.
		Des obstacles d'une faible hauteur sont présents sur la surface de la fenêtre.	Couvrez manuellement les obstacles avant d'utiliser WINBOT.
3	La voix de WINBOT indique « Bloqué ».	Les rails des roues motrices sont coincés.	Vérifiez toute présence de poussière ou de débris sur les rails des roues motrices. En cas de présence de poussière ou de débris, veuillez les nettoyer avec des outils. Redémarrez ensuite WINBOT pour un nettoyage automatique. Si le problème persiste, contactez le service client.
		Des obstacles d'une faible hauteur sont présents sur la surface de la fenêtre.	WINBOT ne peut pas détecter les obstacles ou les encadrements d'une hauteur inférieure à 4 mm. Dans ce cas, veuillez accéder à l'application et suivre les instructions pour aider WINBOT.

4	La voix de WINBOT indique « Bloqué ».	Le réservoir d'eau ne contient pas de solution de nettoyage.	Veillez ajouter la solution de nettoyage ECOVACS WINBOT à temps.
		La fonction de pulvérisation automatique est désactivée dans l'application.	Veillez accéder à l'application et activer la fonction de pulvérisation automatique.
		WINBOT nettoie avec un faible niveau d'eau.	<ol style="list-style-type: none"> 1. Éteignez WINBOT, redémarrez-le et rattaché-le. 2. Rendez-vous dans l'application et suivez les précautions de pulvérisation automatique pour résoudre le problème. 3. Si le problème persiste, contactez le service client.
5	La voix de WINBOT indique « WINBOT rencontre un obstacle ».	Les composants internes sont anormaux.	Tenez fermement le câble composite et ne vous tenez pas directement sous WINBOT pour éviter d'être blessé(e) par la chute de WINBOT. Faites glisser lentement WINBOT jusqu'à ce qu'il soit accessible. Appuyez et maintenez enfoncé le bouton DÉMARRER pendant 2 secondes, puis retirez WINBOT. Éteignez WINBOT, débranchez l'alimentation, puis redémarrez-le. Si le problème persiste après le redémarrage, veuillez contacter le service client.

6	WINBOT n'est pas revenu au point de départ et ne peut pas être retiré.	Il existe une erreur dans l'algorithme.	Il peut y avoir une légère erreur due à une imprécision de calcul. Une erreur normale est inférieure à 21 cm. Si la distance de l'erreur de retour au point de départ de WINBOT est trop importante et qu'il n'est pas pratique de le récupérer, rendez-vous dans l'application et contrôlez WINBOT à distance pour le faire revenir à une position d'où il sera facile à retirer.
		La fonction de contrôle à distance a été utilisée après le positionnement de WINBOT, par conséquent, WINBOT ne connaît pas la position d'origine.	Accédez à l'application et utilisez la commande à distance pour aider WINBOT à revenir à une position facile à retirer.
7	La voix de WINBOT indique « Veuillez éviter les coins des fenêtres. »	Lors du nettoyage du verre sans cadre, la position d'adhérence du WINBOT est trop proche du cadre de la fenêtre.	Tenez la poignée de WINBOT, appuyez sur le bouton DÉMARRER de WINBOT et maintenez-le enfoncé pendant 2 secondes, puis retirez et rattachez WINBOT. Il est recommandé que la position de fixation soit à plus de 10 cm des coins de la fenêtre.

4.2 Connecter WINBOT avec l'application

Lors de la connexion du robot via Bluetooth dans l'application ECOVACS HOME, veuillez vous assurer que les conditions suivantes sont remplies pour le robot et votre téléphone :

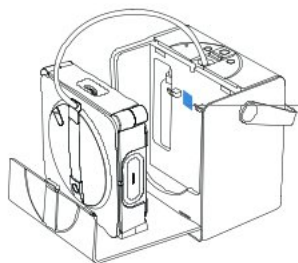
1. Le Bluetooth est activé sur votre téléphone.
 2. La station est sous tension et le témoin est allumé.
 3. Appairez WINBOT via Bluetooth dans l'application ECOVACS HOME ; évitez l'appairage via les paramètres Bluetooth de votre téléphone.
 4. Le Bluetooth et le Wi-Fi peuvent interférer entre eux pendant l'appairage. Pour une connexion optimale, gardez WINBOT près du téléphone et loin du routeur Wi-Fi.
 5. Si WINBOT ne parvient pas à se connecter à l'application, essayez de déconnecter les autres appareils Bluetooth connectés. Assurez-vous que WINBOT n'est pas appairé avec un autre téléphone, puis réessayez.
 6. Lors de l'utilisation du contrôle à distance, le Bluetooth peut se déconnecter si le téléphone est trop éloigné ou s'il y a des murs entre les deux. En cas de déconnexion, essayez de vous reconnecter à une distance plus faible.
 7. Lorsque vous utilisez WINBOT, autorisez l'application ECOVACS HOME à accéder aux autorisations de localisation, de Bluetooth et de stockage du téléphone.
- Veuillez contacter le Service client si vous ne parvenez pas à vous connecter avec les méthodes ci-dessus.

5. Caractéristiques techniques

Modèle	WE005V01
Entrée nominale	110-120V~ 50-60Hz 0.75A
Dimensions de la station (mm)	312*215*327
Dimensions de WINBOT (mm)	272*272*76
Bandes de fréquence	2400-2483.5 MHz

La puissance de sortie du module sans fil est inférieure à 100 mW.
Remarque : Les spécifications techniques et de conception peuvent être modifiées pour une amélioration continue du produit.

Accéder au manuel d'utilisation complet



Scannez le code QR sur le robot pour accéder au manuel d'utilisation complet.



Ecovacs Home Service Robotics Co., Ltd.

No. 518 Songwei Road, Wusongjiang industry Park, Guoxiang Street,
Wuzhong District, Suzhou, Jiangsu, China.

