

DuraSteel

Micro Switch Installation Manual

Model

TZH-6001H(Part # TZ-6001)

TZH-6002G(Part # TZ-6002)

TZH-6003I(Part # TZ-6003)

DuraSteel Door Micro Switch Installation Manual for Air Curtains

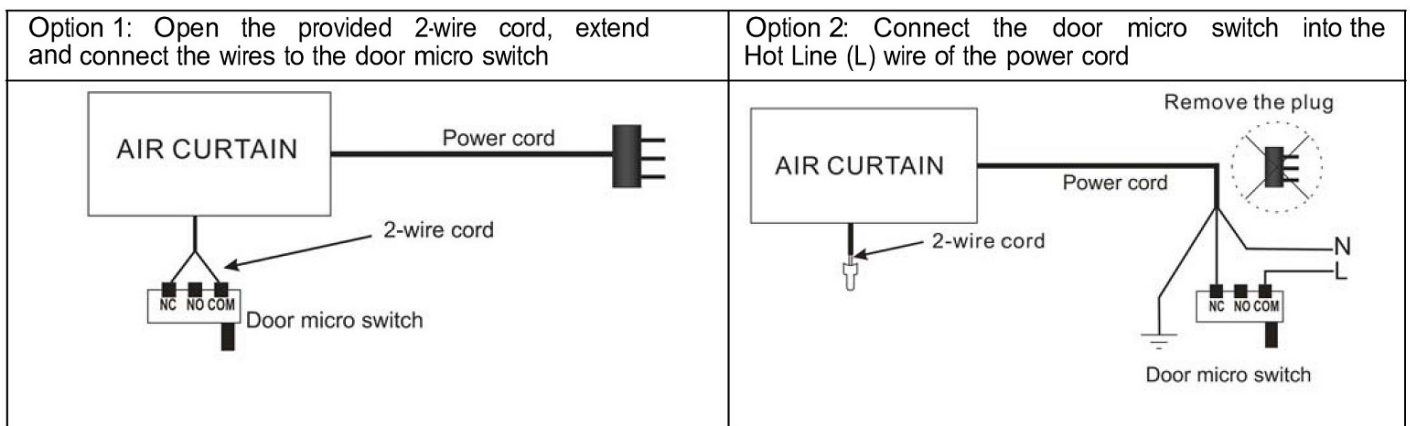
Please read the instructions carefully before use.

Warning: strongly recommend to test the air curtain before installation for any defective or damage during shipment.

1. OPTIONAL DOOR MICRO SWITCH INSTALLATION

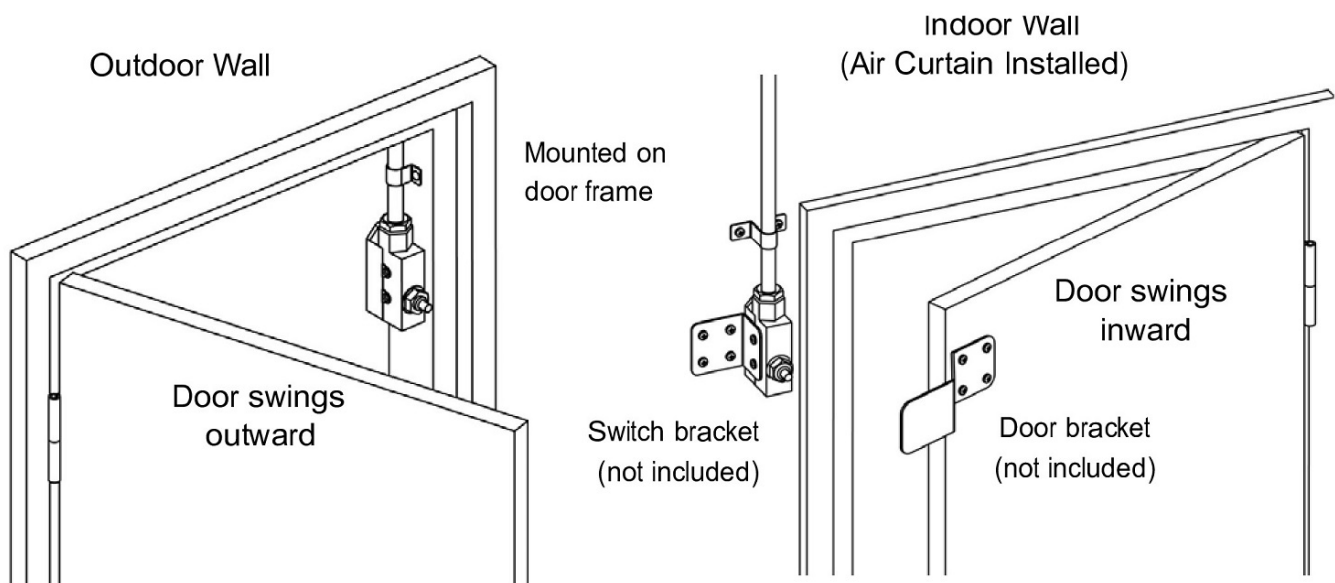
Please purchase the door micro switch if not supplied with the product.

Note: consult with your electrical professional for electrical connection.



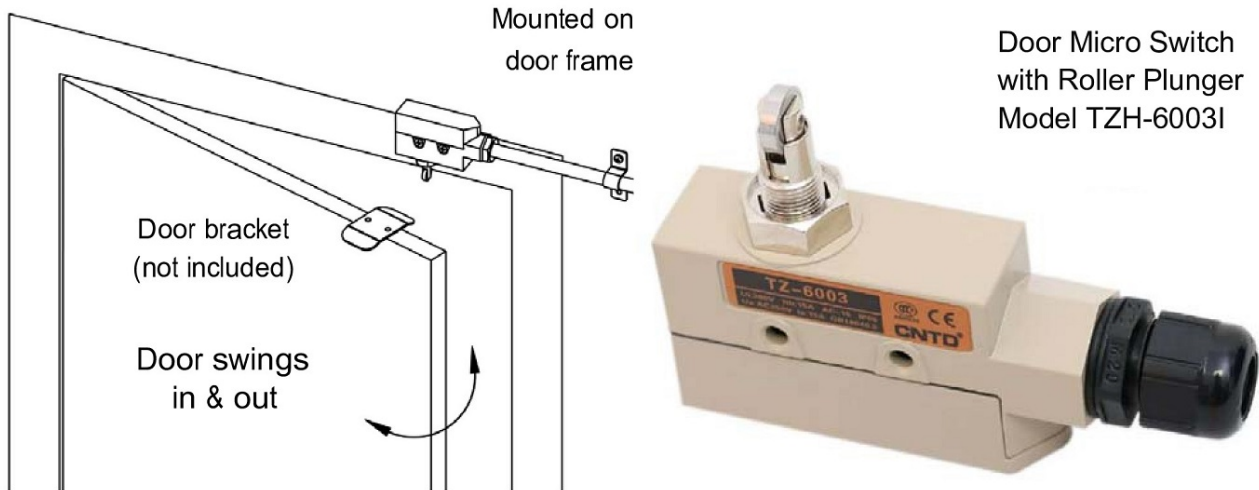
The air curtain should be installed indoor, please follow the below diagrams for the recommended installation.

1.1 If the door swings outward, mount the micro switch (model TZH-6001H or TZH-6003I) on side of the door frame (or the upper side of door frame).

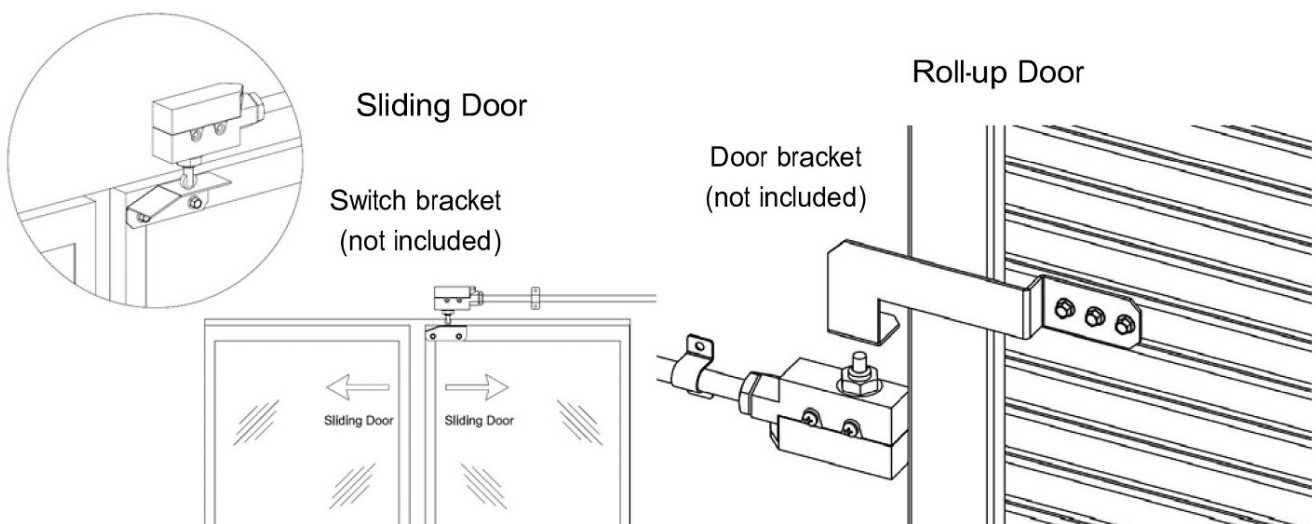


1.2 If the door swings inward, please use metal sheet to create the brackets (not included) as shown in above to install the micro switch (TZH-6001H or TZH-6003I).

1.3 If the door swings in and out, please place the micro switch with Roller Plunger (TZH-6003I) on the upper side of the door frame with a metal bracket (not included) mounted on the top of the door as show below.



1.4 Refer to the below micro switch installation 2 diagrams for Sliding Door (micro switch TZH-6002G) and Roll-up Door (micro switch model TZH-6001H or TZH-6003I).



2. SUPPORT AND CONTACT

Contact your local seller for exchange or repair.

DuraSteel Air Curtains

Aerial Titan-1



Aerial Titan-2

