

Refrigerator
BOTTOM MOUNTED FREEZER SERIES

USER MANUAL

MRB12B1AST

Warning notices: Before using this product, please read this manual carefully and keep it for future reference. The design and specifications are subject to change without prior notice for product improvement. Consult with your dealer or manufacturer for details. The diagram above is just for reference. Please take the appearance of the actual product as the standard.

THANK YOU LETTER

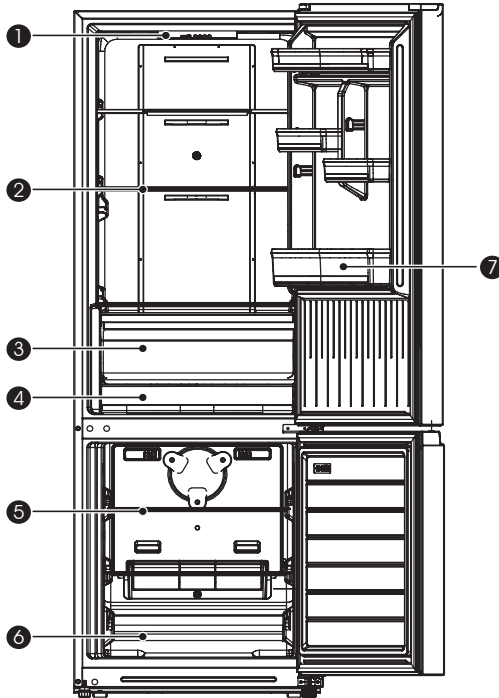
Thank you for choosing Midea! Before using your new Midea product, please read this manual thoroughly to ensure that you know how to operate the features and functions that your new appliance offers in a safe way.

CONTENTS

| | |
|-------------------------------|----|
| THANK YOU LETTER | 01 |
| PRODUCT OVERVIEW..... | 02 |
| PRODUCT INSTALLATION | 03 |
| OPERATION INSTRUCTIONS | 10 |
| CLEANING AND MAINTENANCE..... | 13 |
| TROUBLESHOOTING | 15 |

PRODUCT OVERVIEW

Names of components



- | | | | |
|---|---------------------------|---|-----------|
| 1 | Control and display panel | 5 | Shelf |
| 2 | Shelf | 6 | Drawer |
| 3 | Fruit and vegetable box | 7 | Door tray |
| 4 | Multi-function box | | |

ATTENTION

The picture above is only for reference. The actual configuration will depend on the physical product or statement by the distributor

PRODUCT INSTALLATION

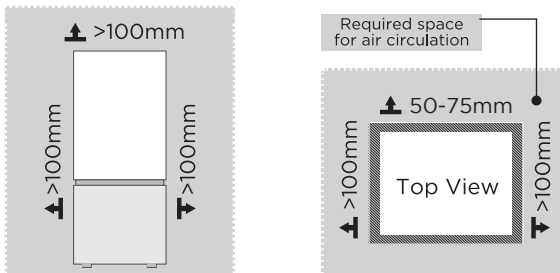
Install Instruction

Finding a suitable location

- This refrigerator is designed to be free standing only, and should not be recessed or built-in.
- The refrigerator should be placed in a well-ventilated indoor place; the ground shall be flat and sturdy.
- Keep away from heat and avoid direct sunlight. Do not place the refrigerator in moist or watery places to prevent rust or reduction of insulating effect.

Dimensions and Clearances

- Too small of a distance from adjacent items may result in the degradation of freezing capability and increased electricity costs. Allow over 100 mm of clearance at both sides and the top, and 50-75 mm at the back when installing the appliance.



Providing a proper power supply

- Check your local power source. This refrigerator requires a 115 V, 60 Hz power supply.
- Use a receptacle that accepts the grounding prong. The power cord is equipped with a 3-prong (grounding) plug which mates with a standard 3-prong (grounding) wall outlet to minimize the possibility of electric shock hazard from this refrigerator.



CAUTION

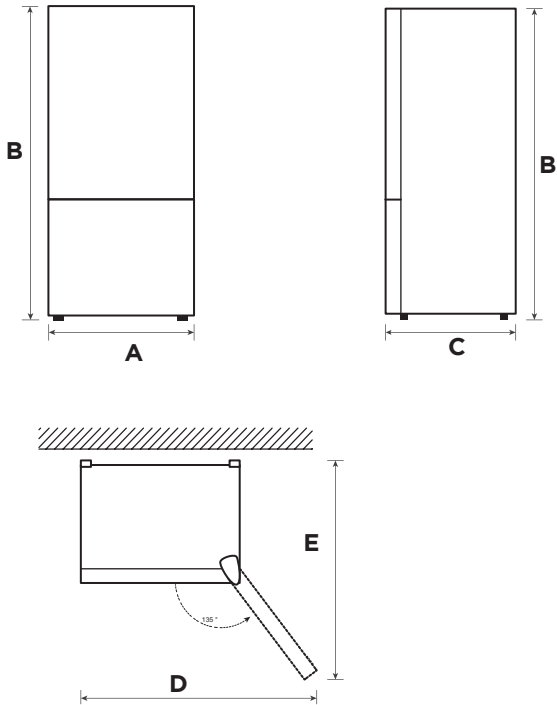
The freezer should always be plugged into its own individual electrical outlet which has a voltage rating that matches the rating plate.

Never unplug your freezer by pulling on the power cord. Always grip the plug firmly and pull straight out from the outlet.

Start to use

- The freezer shall stay for half an hour before connecting power when it is firstly started.
- The freezer shall run 2 to 3 hours before loading fresh or frozen foods; the freezer shall run for more than 4 hours in summer in advance considering that the ambient temperature is high.

Space requirement diagram (when the door is open and when the door is closed)



| Width | Overall Height | Depth | Depth doors open 135° | Width doors open 135° |
|-------|----------------|-------|-----------------------|-----------------------|
| A | B | C | D | E |
| 595 | 1724 | 687 | 957 | 1085 |

Notice: All dimensions in mm



Leveling feet

To avoid vibration, the unit must be leveled.

If required, adjust the leveling screws to compensate for the uneven floor.

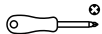
The front should be slightly higher than the rear to aid in door closing.

Leveling screws can be turned easily by tipping the cabinet slightly.

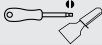
Turn the leveling screws counterclockwise  to raise the unit, clockwise  to lower it.

Door right-left change (Optional)

List of tools to be provided by the user



Allen wrench-Cross screwdriver



Putty knife Thin-blade screwdriver

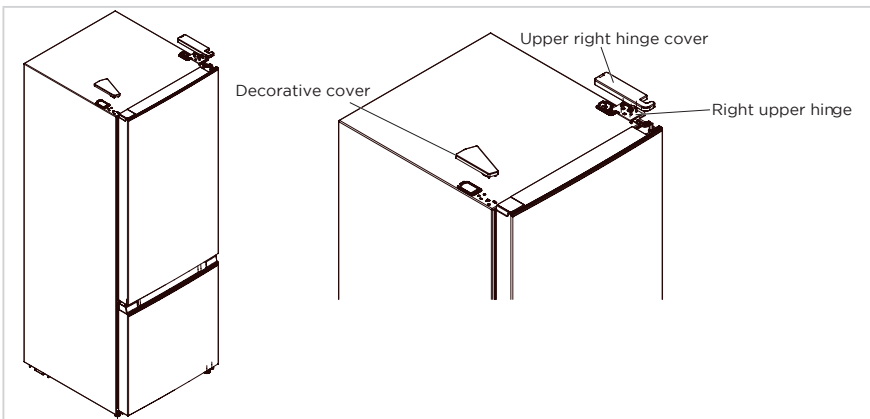


5/16" socket spanner

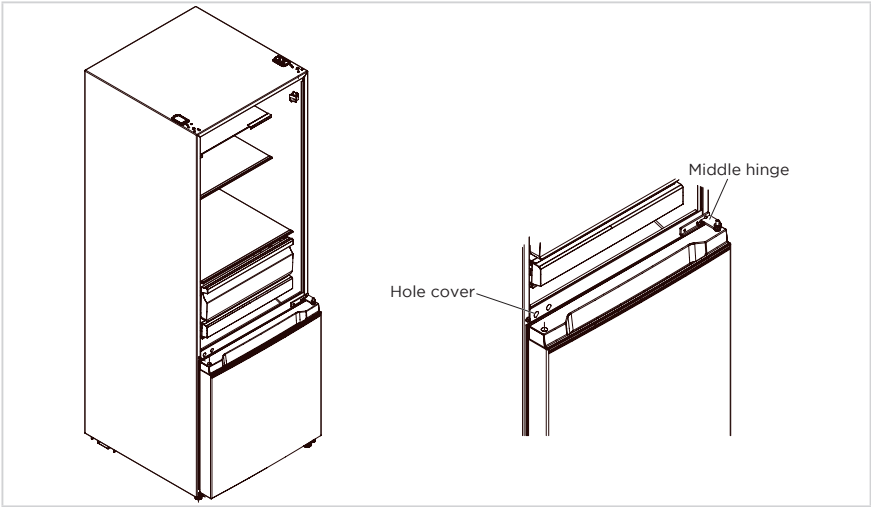


Masking tape

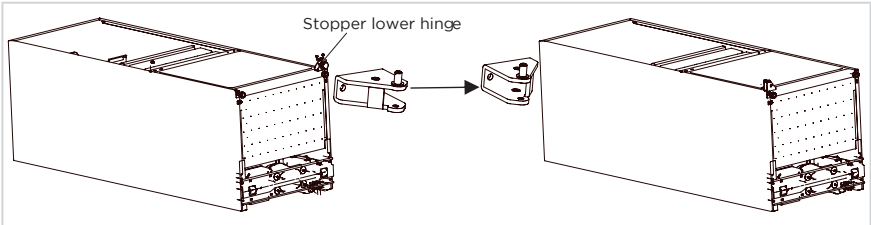
1. Please power off this appliance before conduct this operation. Remove all food from door shelves.
2. Remove the upper left hinge cover decorative cover, upper right hinge cover and upper right hinge;



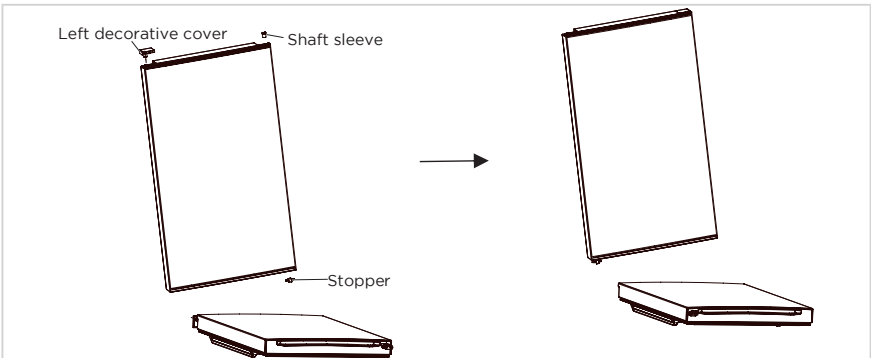
3. Remove the refrigerated door body (be careful not to lose small parts such as the shaft sleeve and stop on the door); Remove the middle hinge and remove the decorative cover of hinge hole on the other side.



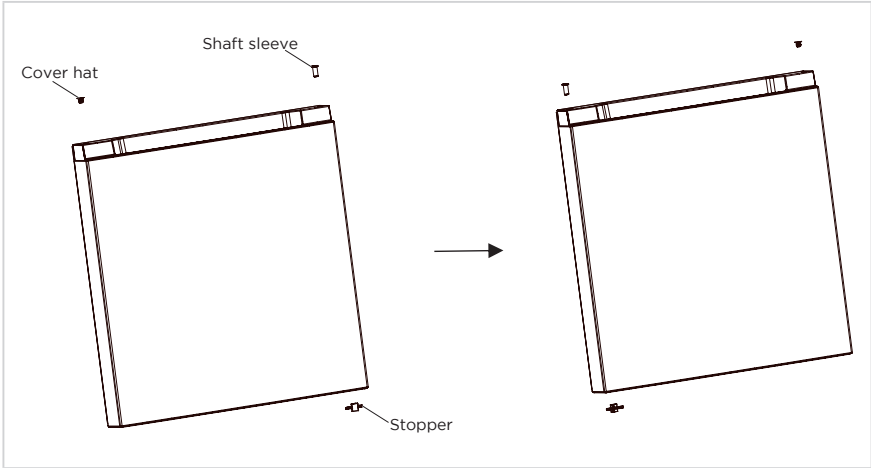
4. Remove the freezing door body (be careful not to lose small parts such as the shaft sleeve and stop on the door); Remove the hinge and adjust the angle. Remove and install the lower hinge shaft to the other side of the hinge, and install the modified lower hinge to the other side of the box.



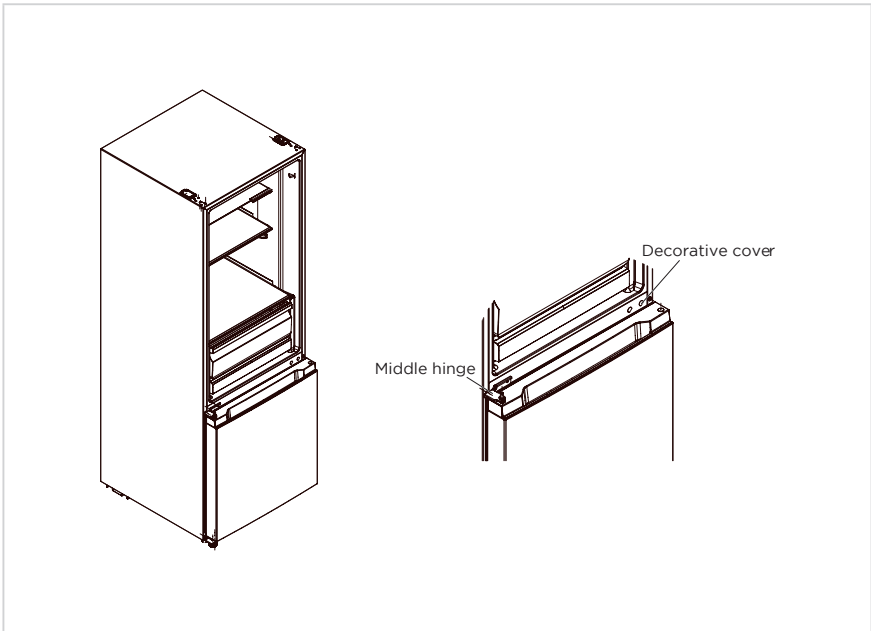
5. Change the refrigerator door:
Remove the cover plate of the upper end cover of the refrigeration door and the left decorative cover. Install the upper shaft sleeve and the signal line of the door body to the other side and cover the upper end cover plate. Take out the right decorative cover from the accessory bag and install it to the other side of the upper end cover.



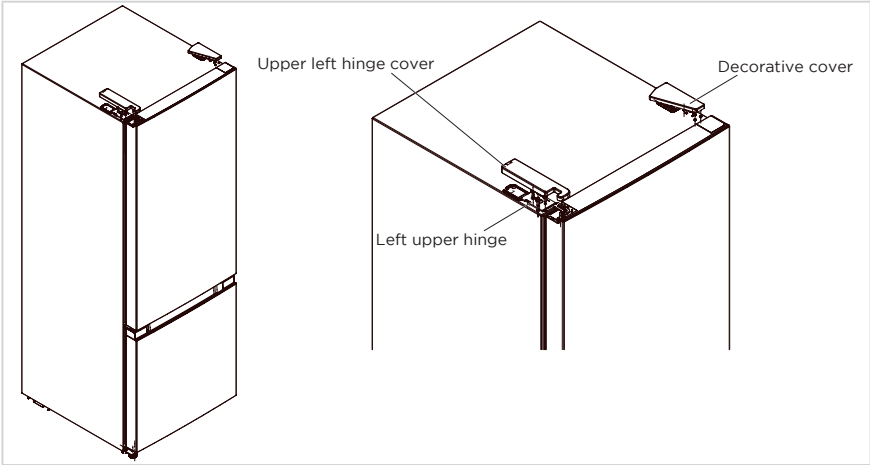
6. Change the freezing door: 1) Remove the shaft sleeve and cap of the upper end cover of the freezing door and install them at the left and right swap positions. 2) Remove the door self-locking, door stop and shaft sleeve of the freezing door, take out the left door self-locking from the accessory bag, install it on the left side of the lower end cover of the freezing door, change the door stop and shaft sleeve to the left side of the lower end cover of the freezing door.



7. Install the replaced freezing door on the lower hinge, then install the middle hinge and cover the hinge hole decorative cover.



- Remove the upper left hinge cover and upper left hinge from the accessory bag. Place the refrigerated door body on the middle hinge and install the upper left hinge. Finally, replace the hinge decorative cover to the right side of the box body.



Moving the appliance

- Remove all food from inside the appliance.
- Pull the power plug out, insert and fix it into the power plug hook at the rear or on top of the appliance.
- Tape parts such as shelves and the door handle to prevent from falling off while moving the appliance.
- Move the appliance with more than two people carefully. When transporting the appliance over a long distance, keep the appliance upright.
- After installing the appliance, connect the power plug into a socket out to switch on the appliance.

Changing the light

- Any replacement or maintenance of the LED lamps is intended to be made by the manufacturer, its service agent or similar qualified person.

Connecting the appliance

After installing the appliance, connect the power plug into a socket outlet.

● ATTENTION

- After connecting the power supply cord (or plug) to the outlet, wait 2 or 3 hours before you put food into the appliance. If you add food before the appliance has cooled completely, your food may spoil.

Precautions before operation:

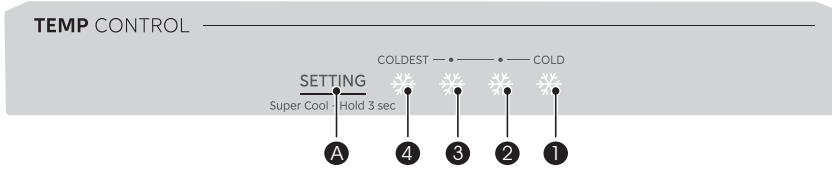
- Before making changes the refrigerator must be disconnected from power.
- precautions should be taken to prevent any personal injury.

Tips for energy saving

- Do not place the appliance near cookers, radiators or other heat sources. If the ambient temperature is high, the compressor will run more frequently and for longer, resulting in increased energy consumption.
- Ensure that there is sufficient ventilation at the base of the appliance, on the sides of the appliance and at the back of the appliance. Never cover ventilation openings.
- Please also observe the spacing dimensions in the chapter "Installation".
- The arrangement of drawers, shelves and racks as shown in the illustration offers the most efficient use of energy and should therefore be retained as far as possible. All drawers and shelves should remain in the appliance to keep the temperature stable and save energy.
- To obtain a larger storage space (e.g. for large refrigerated/frozen goods), the middle drawers can be removed. The top and bottom drawers and shelves should be removed last if necessary.
- An evenly filled refrigerator/freezer compartment contributes to optimal energy use. Therefore, avoid empty or half-empty compartments.
- Allow warm food to cool before placing it in the refrigerator/freezer. Food that has already cooled down increases energy efficiency.
- Allow frozen food to defrost in the refrigerator. The coldness of the frozen food reduces the energy consumption in the refrigerator compartment and thus increases the energy efficiency.
- Open the door only as briefly as necessary to minimise cold loss. Opening the door briefly and closing it properly reduces energy consumption.
- The door seals of your appliance must be perfectly intact so that the doors close properly and energy consumption is not increased unnecessarily.

OPERATION INSTRUCTIONS

Control panel



ATTENTION

The actual control panel may differ from model to model.

Operation button

A. Temperature setting button of refrigerator compartment

Temperature control panel

LED 1 : setting 1 (COLD)

LED 2 : setting 2

LED 3 : setting 3

LED 4 : setting 4 (COLDEST)

Indicator

When electrify the refrigerator for rst time, all LEDs on the indicat or light up fully for 3 seconds, and then the refrigerator runs according to setting 2. In case of a failure, the corresponding LED blinks.

In case of no failure, it shows the current temperature setting of refrigerator.

| Indication | Fault Description |
|--------------------|---|
| LED 4 and 1 blinks | Ambient temperature sensor failure |
| LED 4 and 2 blinks | Defrost sensor failure of freezer chamber |
| LED 4 and 3 blinks | Temperature sensor failure of refrigerating chamber |

Temperature setting

Each time the temperature setting button A is pressed once, the temperature setting changes one time. After the temperature setting has been completed, the refrigerator will run according to the setting after 15s.

The shift regulation is:



Quick cool mode

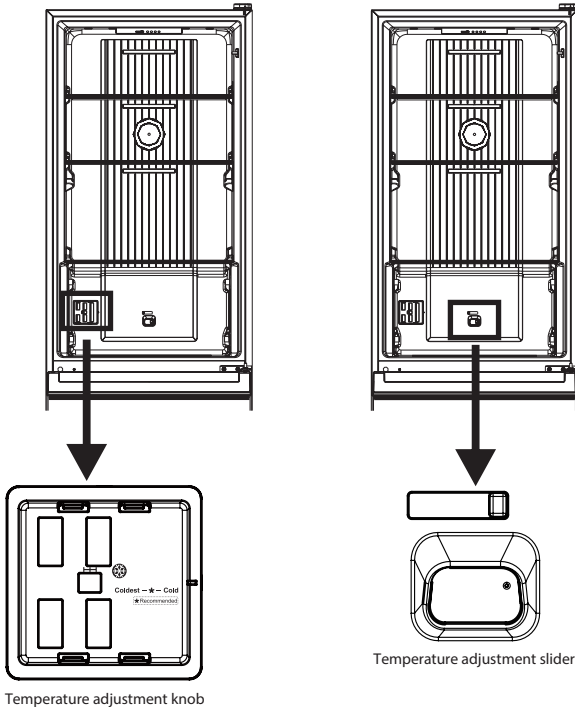
Long press temperature setting button for 3s, after LED 2 and LED 3 light up for 30s, it will enter into Quick cool mode. Long press temperature setting button for 3s, it will cancel Quick cool mode.

Freezer temperature adjustment paddle

It is located at the lower left corner of the refrigerator, and the factory position of the paddle is on the right. If the paddle moves to the left, the temperature of the freezer compartment will increase, and if the paddle moves to the right, the temperature of the freezer compartment will decrease.

Multi-function box temperature adjustment paddle

The paddle can control the temperature of the multi-function box area. The paddle is located at the bottom of the refrigerated air duct, and the factory position is on the far right. Slide the paddle to the left, and the temperature of the multifunction box will drop. The temperature of the multifunction box can be adjusted by moving the position of the paddle.



Tips on storing food

Freezer compartment

- The freezer is designated for the storage of food frozen at very low temperature, long-term storage of frozen food, and for the production of ice.
- Only use the shelves in the door of the freezer to store frozen food, not for storing hot food designated for freezing.
- Do not put fresh and frozen food next to each other. The frozen food may thaw.
- When freezing fresh food (such as meat, fish or chopped meat), cut them into parts that can be used at the same time.
- Storing frozen food: instructions are usually stated on the packages, which must be followed. If there is no information on the packaging, food should not be stored for longer than three months from the date of purchase.
- When purchasing frozen food, make sure that it was frozen at a suitable temperature and that the packaging is not damaged.
- Frozen food should be kept in suitable packages to retain the quality and should be returned to the freezer compartment as soon as possible.
- If a package of frozen food shows moisture or abnormal bulging, it is probable that it was stored at the wrong temperature and the content is spoiled.
- The storage period for frozen food depends on the room temperature, the thermostat setting, the frequency of opening the door of the freezer, the type of food and the time of transporting the product from the shop to the household. Always follow the instructions printed on the packaging and never exceed the maximum storage time stated on the package.

Cooling compartment

- To reduce moisture and subsequent ice build-up, never put liquid into the refrigerator in unsealed containers. Frost tends to concentrate in the coolest parts of the evaporator. Storing uncovered liquids results in a more frequent need for defrosting.
- Never put warm foods in the refrigerator. These should first cool down at room temperature and then be placed so as to ensure adequate air circulation in the refrigerator.
- Foods or food containers should not touch the back wall of the refrigerator because they could freeze to the wall. Do not keep regularly opening the door of the refrigerator.
- Meat and clean fish (packed in a package or plastic foil) can be placed in the refrigerator, which can be used in 1-2 days.
- Fruit and vegetables without packaging can be placed in the part designated for fresh fruit and vegetables.

ATTENTION

The optimal temperature setting of each compartment depends on the ambient temperature. Above optimal temperature is based on the ambient temperature of 25 °C.

CLEANING AND MAINTENANCE

Defrost

- The refrigerator is made based on the air-cooling principle and thus has automatic defrosting function. Frost formed due to change of season or temperature may also be manually removed by disconnection of the appliance from power supply or by wiping with a dry towel.

Stop using

Power failure:

- In case of power failure, even if it is in summer, foods inside the appliance can be kept for several hours; during the power failure, the times of door opening shall be reduced, and no more fresh food shall be put into the appliance.

Long-time nonuse:

- The appliance shall be unplugged and then cleaned; then the doors are left open to prevent odor.

Moving:

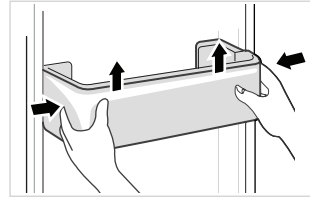
- Before the refrigerator is moved, take all objects inside out, fix the glass partitions, vegetable holder, freezing chamber drawers and etc. with tape, and tighten the leveling feet; close the doors and seal them with tape. During moving, the appliance shall not be laid upside down or horizontally, or be vibrated; the inclination during movement shall be no more than 45°.

ATTENTION

The appliance shall run continuously once it is started. Generally, the operation of the appliance shall not be interrupted; otherwise the service life may be impaired. Foods can be preserved for a couple of hours even in summer in case of power failure; it is recommended to reduce the frequency of opening door.

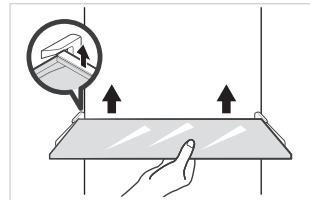
Cleaning of door tray

- According to the direction arrow in the figure below, use both hands to squeeze the tray, and push it upward, then you can take it out.
- After washing the tray having been taken out, you can adjust its installing height in accordance with your requirement.



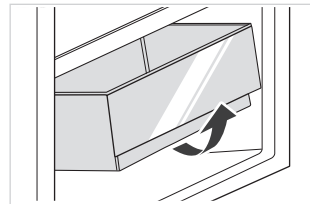
Cleaning of glass shelf

- As the innermost part of the refrigerator liner where contacting the shelves has a backstop, you shall raise the shelves upward, then you can be able to take it out.
- Adjust or clean the shelves according to your requirement.



Cleaning the vegetable drawer

- Remove the contents of the drawer. Hold the handle of the vegetable drawer and pull it out completely until it stops.
- Lift the vegetable drawer up and remove it by pulling it out.



● ATTENTION

Soft towels or sponge dipped in water and non-corrosive neutral detergents are suggested for cleaning. The freezer shall be finally cleaned with clean water and dry cloth. Open the door for natural drying before the power is turned on. Do not use hard brushes, clean steel balls, wire brushes, abrasives, such as toothpastes, organic solvents (such as alcohol, acetone, banana oil, etc.), boiling water, acid or alkaline items clean refrigerator considering that this may damage the fridge surface and interior.

TROUBLESHOOTING

The following simple issues can be handled by the user. Please call the after-sale service department if the issues are not solved.

| Problem | Possible reason |
|---------------------------------------|---|
| Failed operation | <ul style="list-style-type: none"> • Check whether the appliance is connected to power or whether the plug is in well contact |
| | <ul style="list-style-type: none"> • Check whether the voltage is too low |
| | <ul style="list-style-type: none"> • Check whether there is a power failure or partial circuits have tripped |
| Odor | <ul style="list-style-type: none"> • Odorous foods shall be tightly wrapped |
| | <ul style="list-style-type: none"> • Check whether there is any rotten food |
| | <ul style="list-style-type: none"> • Clean the inside of the refrigerator |
| Long-time operation of the compressor | <ul style="list-style-type: none"> • Long operation of the refrigerator is normal in summer |
| | <ul style="list-style-type: none"> • When the ambient temperature is high It is not suggestible having too much food in the appliance at the same time |
| | <ul style="list-style-type: none"> • Food shall get cool before being put into the appliance |
| | <ul style="list-style-type: none"> • The doors are opened too frequently |
| Light fails to get lit | <ul style="list-style-type: none"> • Check whether the refrigerator is connected to power supply and whether the illuminating light is damaged |
| | <ul style="list-style-type: none"> • Have the light replaced by a specialist |
| Door can not be properly closed | <ul style="list-style-type: none"> • The door is stuck by food packages Too much food is placed |
| | <ul style="list-style-type: none"> • The refrigerator is tiltedr. |
| Loud noises | <ul style="list-style-type: none"> • Check whether the floor is level and whether the refrigerator is placed stably |
| | <ul style="list-style-type: none"> • Check whether accessories are placed at proper locations |

| Problem | Possible reason |
|-----------------------------|---|
| Door seal fails to be tight | <ul style="list-style-type: none"> • Remove foreign matters on the door seal |
| | <ul style="list-style-type: none"> • Heat the door seal and then cool it for restoration (or blow it with an electrical drier or use a hot towel for heating) |
| Water pan overflows | <ul style="list-style-type: none"> • There is too much food in the chamber or food stored contains too much water,resulting in heavy defrosting |
| | <ul style="list-style-type: none"> • The doors are not closed properly, resulting in frosting due to entry of air and increased water due to defrosting |
| Hot housing | <ul style="list-style-type: none"> • Heat dissipation of the built-in condenser via the housing, which is normal When housing becomes hot due to high ambient temperature, storage of too much food or shutdown of the compressor is shut down, provide sound ventilation to facilitate heat dissipation |
| Surface condensation | <ul style="list-style-type: none"> • Condensation on the exterior surface and door seals of the refrigerator is normal when the ambient humidity is too high. Just wipe the condensate with a clean towel. |
| Abnormal noise | <ul style="list-style-type: none"> • Buzz: The compressor may produce buzzes during operation, and the buzzes are loud particularly upon start or stop. This is normal. |
| | <ul style="list-style-type: none"> • Creak: Refrigerant flowing inside of the appliance may produce creak, which is normal. |

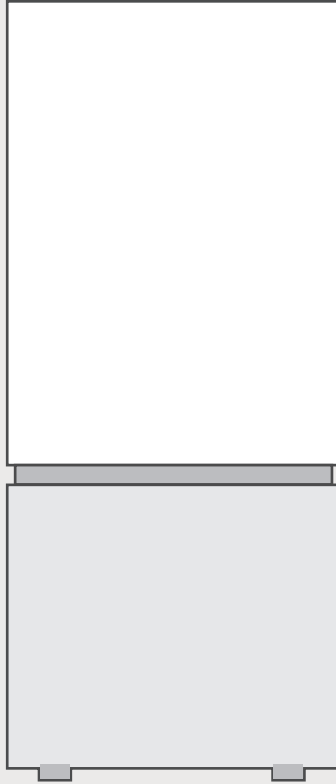


make yourself at home



www.midea.com

© Midea 2022 all rights reserved



Réfrigérateur
SÉRIE CONGÉLATEURS EN BAS

MANUEL D'UTILISATION

MRB12B1AST

Avertissement : Avant d'utiliser ce produit, veuillez lire attentivement ce mode d'emploi et le conserver pour référence ultérieure. La conception et les spécifications sont susceptibles d'être modifiées sans préavis afin d'améliorer le produit.

Contactez votre revendeur ou le fabricant pour plus de détails.

Le schéma ci-dessus n'est qu'à titre de référence. Veuillez vous baser sur l'apparence du produit réel.

LETTRE DE REMERCIEMENT

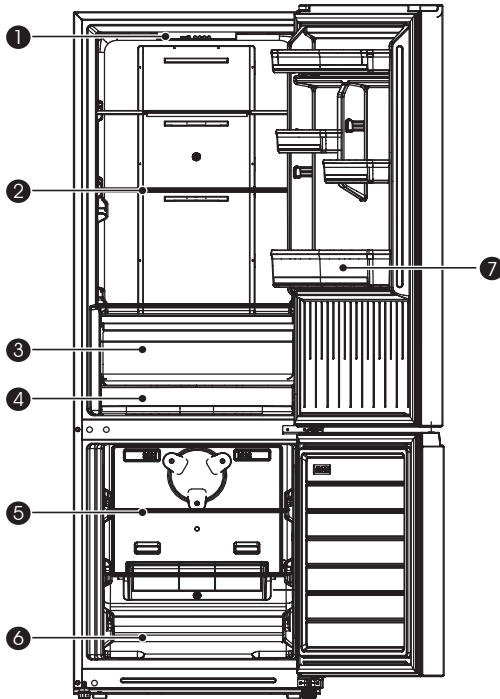
Nous vous remercions d'avoir choisi Midea ! Avant d'utiliser votre nouveau produit Midea, veuillez lire attentivement ce manuel afin de vous assurer que vous maîtrisez les caractéristiques et les fonctions de votre nouvel appareil en toute sécurité.

SOMMAIRE

| | |
|----------------------------|----|
| LETTRE DE REMERCIEMENT | 01 |
| PRÉSENTATION DU PRODUIT | 02 |
| INSTALLATION DU PRODUIT | 03 |
| INSTRUCTIONS D'UTILISATION | 11 |
| NETTOYAGE ET ENTRETIEN | 14 |
| DÉPANNAGE | 16 |

PRÉSENTATION DU PRODUIT

Noms des composants



- | | | | |
|---|------------------------------------|---|---------------------|
| 1 | Panneau de contrôle de l'affichage | 5 | Étagère |
| 2 | Étagère | 6 | Tiroir |
| 3 | Boîte des fruits et légumes | 7 | Plateau de la porte |
| 4 | Boîtier multifonction | | |

ATTENTION

L'image ci-dessus est donnée uniquement à titre de référence. La configuration réelle dépend du produit physique ou de la notice du distributeur.

INSTALLATION DU PRODUIT

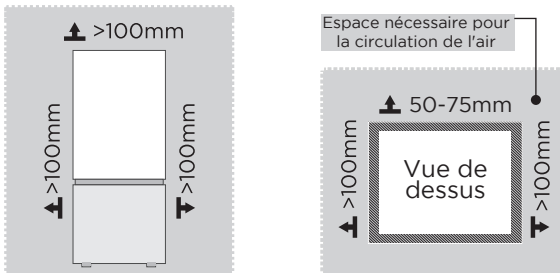
Instructions d'installation

Trouver un emplacement approprié

- Ce réfrigérateur est conçu pour être posé debout et ne doit pas être encastré.
- Le congélateur doit être placé à l'intérieur dans un endroit bien ventilé ; le sol doit être plat et solide.
- Tenez à l'écart de la chaleur et évitez la lumière directe du soleil. Ne placez pas le congélateur dans des endroits humides ou aqueux pour éviter la rouille ou la réduction de l'isolation.

Dimensions et dégagements

- Une distance trop petite des éléments adjacents peut entraîner une dégradation de la capacité de congélation et une augmentation des coûts d'électricité. Lors de l'installation de l'équipement, un espace de plus de 100 mm doit être laissé sur les deux côtés et sur le dessus, et un espace de 50 à 75 mm doit être laissé à l'arrière.



Assurer une alimentation électrique adéquate

- Vérifiez votre source d'alimentation locale. Ce congélateur nécessite une alimentation électrique 115 V, 60 Hz.
- Utilisez une prise qui accepte la broche de mise à la terre. Le cordon d'alimentation est équipé d'une fiche à trois broches (mise à la terre) qui s'adapte à une prise murale standard à trois broches (mise à la terre) afin de minimiser les risques d'électrocution liés à ce réfrigérateur.



ATTENTION

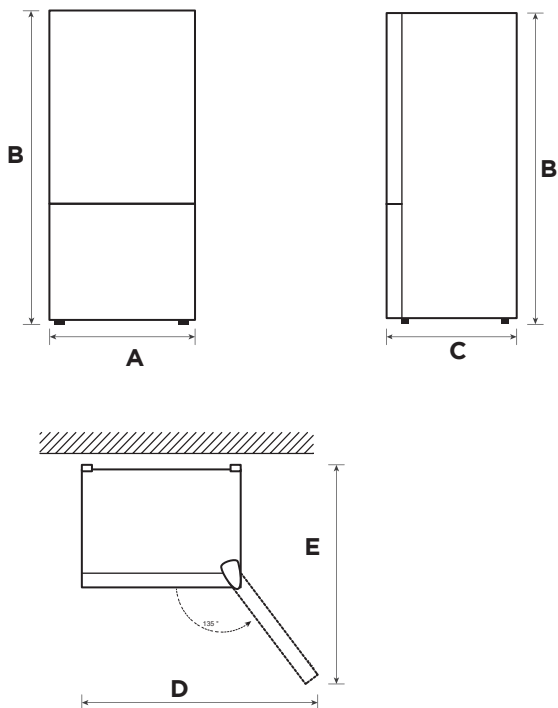
Le réfrigérateur doit toujours être branché sur une prise électrique individuelle dont la tension correspond à celle indiquée sur la plaque signalétique.

Ne débranchez jamais votre réfrigérateur en tirant sur le cordon d'alimentation. Il faut toujours tenir fermement la fiche et la tirer tout droit hors de la prise.

Première utilisation

- Avant la première utilisation, le congélateur doit rester debout pendant une demi-heure avant de brancher l'alimentation.
- Le congélateur doit fonctionner 2 à 3 heures avant de charger des aliments frais ou surgelés ; il doit fonctionner pendant plus de 4 heures en été, étant donné que la température ambiante est élevée.

Diagramme d'encombrement (porte ouverte et fermée)



| Largeur | Hauteur totale | Profondeur | Largeur des portes ouvertes à 135° | Profondeur des portes ouvertes à 135° |
|---------|----------------|------------|------------------------------------|---------------------------------------|
| A | B | C | D | E |
| 595 | 1724 | 687 | 957 | 1085 |

Remarque : Toutes les dimensions sont en mm

Pieds réglables

L'appareil doit être à niveau pour éviter toute vibration.

Il faut tenir compte de l'uniformité du sol dans la mise à niveau.

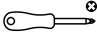
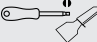
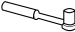

L'avant de la porte doit être légèrement plus haut que l'arrière pour faciliter sa fermeture.

Les vis de mise à niveau peuvent être facilement tournées en inclinant légèrement l'appareil.

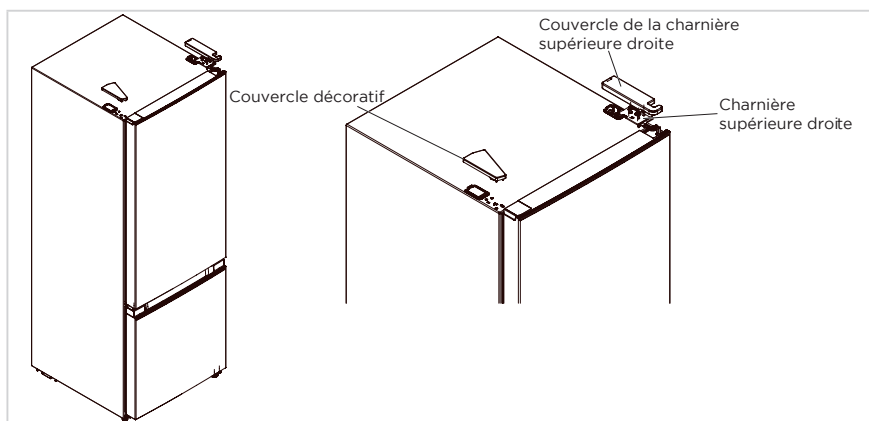
Tournez les vis de mise à niveau dans le sens antihoraire ↺ pour soulever l'appareil, dans le sens horaire ↻ pour l'abaisser.

Inverser l'ouverture de la porte (facultatif)

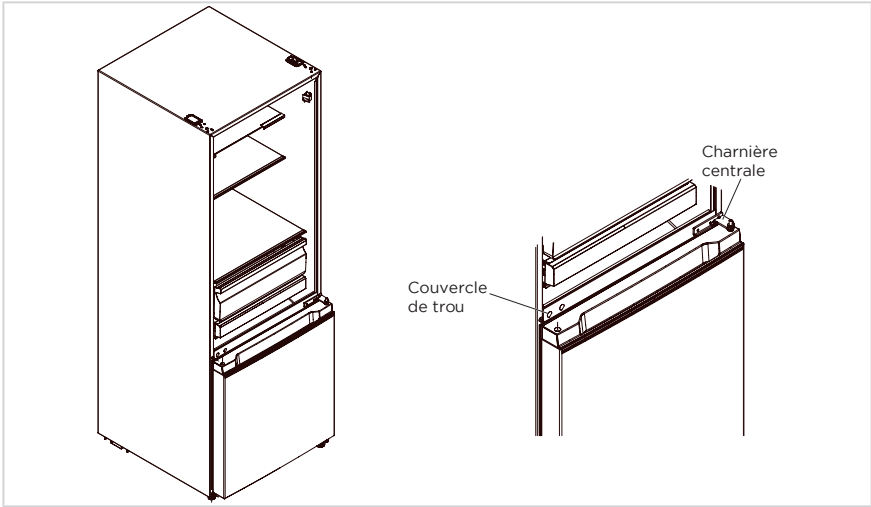
Liste des outils à fournir par l'utilisateur

| | |
|---|--|
|  | Clé Allen-Tournevis cruciforme |
|  | Tournevis à lame mince pour couteau à mastic |
|  | Clé à douille 5/16" |
|  | Bande de masquage |

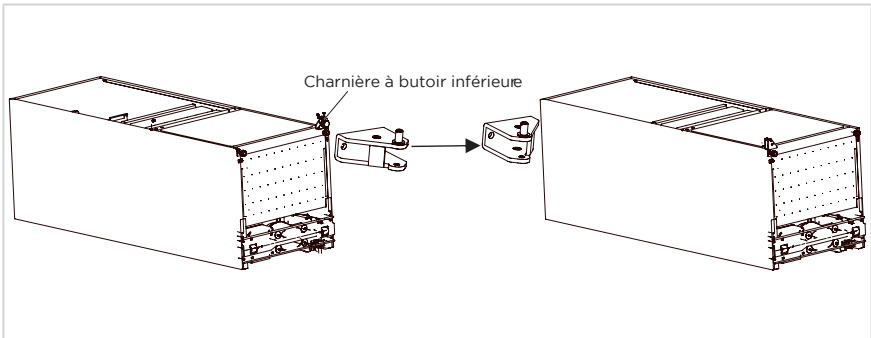
1. Veuillez éteindre cet appareil avant de procéder à cette opération. Retirez tous les aliments des étagères des portes.
2. Retirez le couvercle décoratif de la charnière supérieure gauche, le couvercle de la charnière supérieure droite et la charnière supérieure droite ;



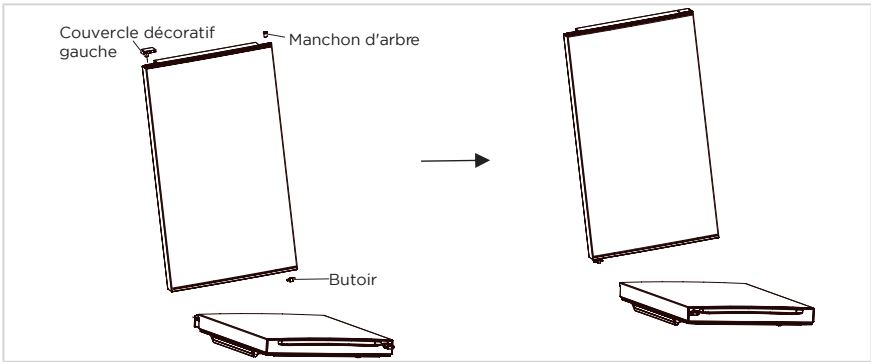
3. Retirez le corps de la porte de réfrigération (veillez à ne pas perdre les petites pièces telles que la chemise d'arbre et la butée de la porte) ; Retirez la charnière du milieu et enlevez le couvercle décoratif du trou de la charnière de l'autre côté.



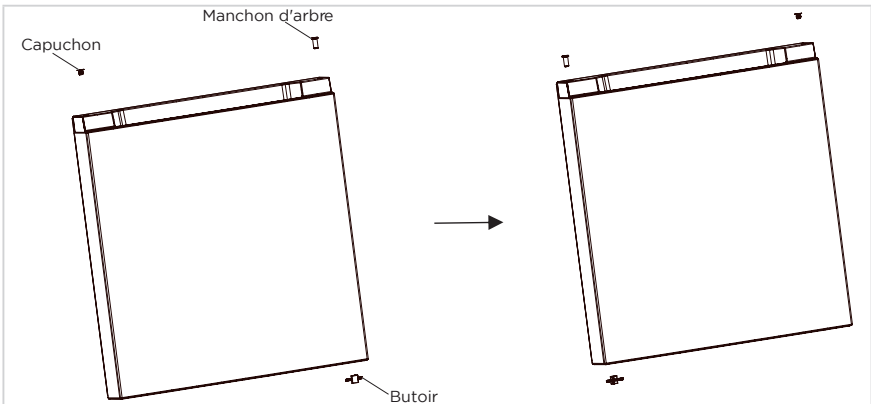
4. Retirez le corps de la porte de congélation (veillez à ne pas perdre les petites pièces telles que la chemise d'arbre et la butée de la porte) ; Retirez la charnière et ajustez l'angle. Retirez et installez l'axe de la charnière inférieure de l'autre côté de la charnière, et installez la charnière inférieure modifiée de l'autre côté de la boîte.



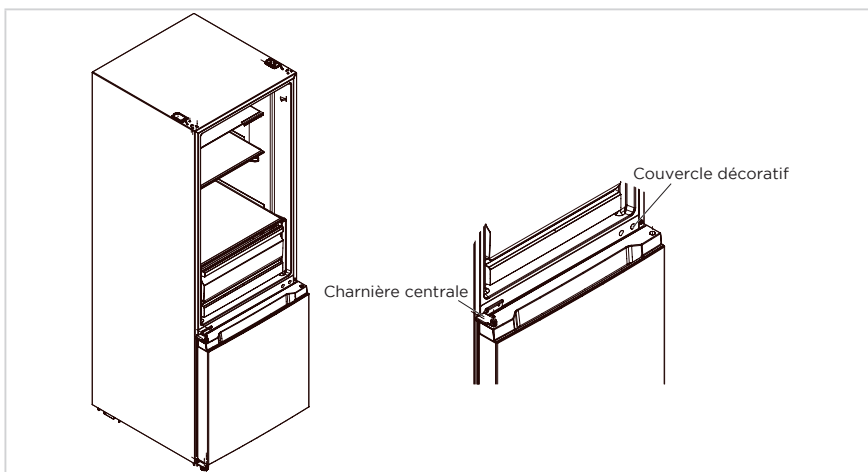
5. Changer la porte du réfrigérateur :
Retirez la plaque de recouvrement du couvercle d'extrémité supérieur de la porte de réfrigération et le couvercle décoratif gauche. Installez le manchon d'arbre supérieur et la ligne de signal du corps de porte de l'autre côté et recouvrez la plaque de recouvrement d'extrémité supérieure. Sortez le bon couvercle décoratif du sac d'accessoires et installez-le sur l'autre côté du couvercle d'extrémité supérieur.



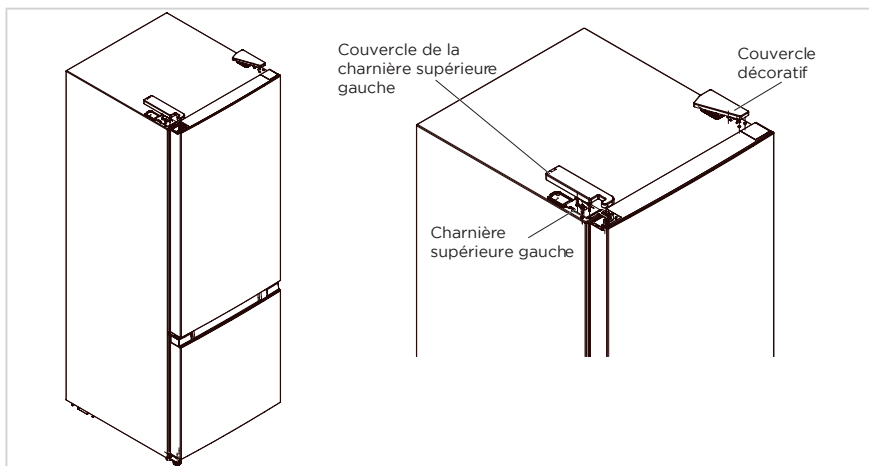
6. Changer la porte de congélation : 1) Retirez la chemise d'arbre et le capuchon du couvercle d'extrémité supérieur de la porte de congélation et installez-les aux positions de permutation gauche et droite. 2) Enlevez l'autobloquant de porte, la butée de porte et la chemise d'arbre de la porte de congélation, sortez l'autobloquant de porte gauche du sac d'accessoires, installez-le sur le côté gauche du couvercle d'extrémité inférieur de la porte de congélation, changez la butée de porte et la chemise d'arbre sur le côté gauche du couvercle d'extrémité inférieur de la porte de congélation.



7. Installez la porte de congélation remplacée sur la charnière inférieure, puis installez la charnière centrale et couvrez le couvercle décoratif du trou de la charnière.



8. Retirez le couvercle de la charnière supérieure gauche et la charnière supérieure gauche du sac d'accessoires. Placez le corps de porte de réfrigération sur la charnière centrale et installez la charnière supérieure gauche. Enfin, remplacez le couvercle décoratif de la charnière sur le côté droit du corps de la boîte.



Déplacement de l'appareil

1. Retirez tous les aliments de l'appareil.
2. Débranchez la fiche d'alimentation, et la fixer au crochet de prise située à l'arrière ou la placer au-dessus de l'appareil.
3. Collez les pièces telles que étagères et poignée de porte pour éviter qu'elles ne tombent lors du déplacement de l'appareil.
4. Avec précaution, déplacez l'appareil à l'aide de deux personnes au moins. Lors du transport sur une longue distance, l'appareil doit être maintenu en position verticale.
5. Après l'installation de l'appareil, branchez sa fiche dans une prise de courant pour l'allumer.

Changement de l'ampoule

- Tout remplacement ou entretien des lampes LED doit être effectué par le fabricant, un agent agréé ou une personne qualifiée similaire.

Branchement de l'appareil

Après l'installation de l'appareil, branchez la fiche d'alimentation dans une prise de courant.

ATTENTION

- Après avoir branché la fiche d'alimentation dans une prise, il faut attendre 2 à 3 heures avant de mettre des aliments dans l'appareil. Les aliments risquent de s'abîmer si vous les mettez avant le refroidissement de l'appareil.

Précautions avant l'utilisation :

- Avant d'effectuer tout changement, vous devez débrancher le réfrigérateur de l'alimentation.
- Des précautions doivent être prises pour éviter toute blessure.

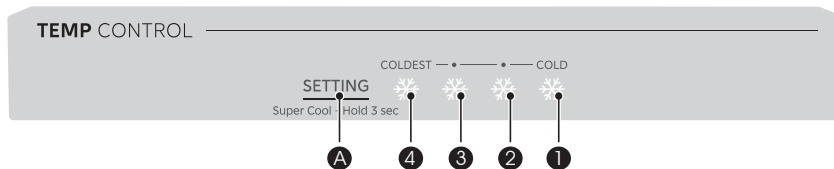
Conseils pour l'économie d'énergie

- L'appareil ne doit pas être placé à côté de cuisinières, radiateurs ou toute autre source de chaleur. Si la température ambiante est élevée, le compresseur fonctionne plus fréquemment et plus longtemps, ce qui entraîne une augmentation de la consommation d'énergie.
- Assurez-vous qu'il y a une ventilation suffisante au niveau de la base, sur les côtés et à l'arrière de l'appareil. Il ne faut jamais couvrir les fentes de ventilation.
- Il faut également respecter les dégagements du chapitre « Installation ».
- La disposition des bacs, étagères et balconnets de porte comme indiqué sur l'illustration offre une utilisation plus efficace de l'énergie et doit donc être conservée autant que possible. Tous les bacs et étagères doivent rester dans l'appareil pour maintenir une température stable et économiser de l'énergie.
- Pour obtenir un plus grand espace de stockage (par exemple pour les gros produits réfrigérés/congelés), les bacs du milieu peuvent être retirés. Les bacs supérieurs et inférieurs et les étagères doivent être retirés en dernier si nécessaire.

- Un compartiment réfrigérateur/congélateur rempli uniformément contribue à une utilisation optimale de l'énergie. Ainsi, il faut éviter les compartiments vides ou à moitié vides.
- Laissez refroidir les aliments chauds avant de les mettre dans le réfrigérateur/congélateur. Les aliments déjà augmentent l'efficacité énergétique.
- Les aliments congelés doivent être décongelés dans le réfrigérateur. La froideur des aliments congelés réduit la consommation d'énergie dans le réfrigérateur et augmente ainsi l'efficacité énergétique.
- Ouvrez la porte aussi brièvement que nécessaire pour minimiser toute perte de froid. L'ouverture/fermeture de la porte brièvement réduit la consommation d'énergie.
- Les joints de porte de l'appareil doivent être parfaitement intacts pour faciliter la fermeture des portes et éviter que la consommation d'énergie ne soit pas augmentée inutilement.

INSTRUCTIONS D'UTILISATION

Panneau de commande



ATTENTION

Le panneau de commande réel peut être différent d'un modèle à l'autre.

Bouton d'opération

A. Bouton de réglage de la température du compartiment réfrigérateur

Panneau de commande de la température

LED 1 : réglage 1 (Froid)

LED 2 : réglage 2

LED 3 : réglage 3

LED 4 : réglage 4 (Le plus froid)

Indicateur

Lorsque le réfrigérateur est mis sous tension pour la première fois, tous les voyants de l'indicateur s'allument complètement pendant 3 secondes, puis le réfrigérateur fonctionne conformément au réglage 2. En cas de panne, la LED correspondante clignote.

En cas d'absence de panne, il indique le réglage actuel de la température du réfrigérateur.

| Indication | Description de Défaut |
|-----------------------|--|
| LED 4 et 1 clignotent | Panne du capteur de température ambiante |
| LED 4 et 2 clignotent | Défaillance de la sonde de dégivrage de la chambre de congélation |
| LED 4 et 3 clignotent | Défaillance du capteur de température de la chambre de réfrigération |

Réglage de la température

Chaque fois que vous appuyez sur le bouton de réglage de la température A, le réglage de la température change une fois. Une fois le réglage de la température terminé, le réfrigérateur fonctionnera selon le réglage après 15s.

Le règlement de commutation est :



Mode de refroidissement rapide

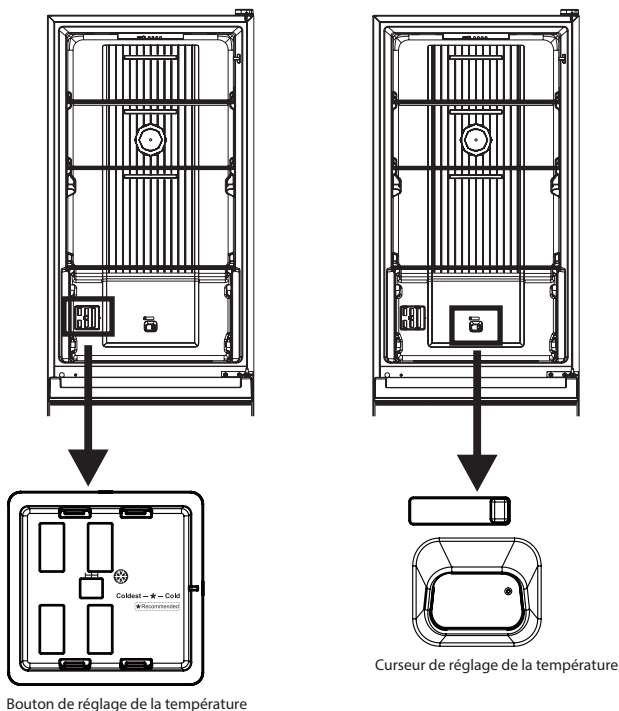
Appuyez longuement sur le bouton de réglage de la température pendant 3s, après que la LED 2 et le LED 3 se soient allumés pendant 30s, il entrera en mode de refroidissement rapide. Appuyez longuement sur le bouton de réglage de la température pendant 3s, cela annulera le mode de refroidissement rapide.

Palette de réglage de la température du congélateur

Elle est située dans le coin inférieur gauche du réfrigérateur, et la position d'usine est à droite. Si la palette se déplace vers la gauche, la température du compartiment congélateur augmente, et si la palette se déplace vers la droite, la température du compartiment congélateur diminue.

Palette de réglage de la température du boîtier multifonction

La palette peut contrôler la température de la zone du boîtier multifonctions. La palette est située au bas du conduit d'air réfrigéré, et la position d'usine est à l'extrême droite. Faites glisser la palette vers la gauche, et la température du boîtier multifonctions baissera. La température du boîtier multifonctions peut être ajustée en déplaçant la position de la palette.



Bouton de réglage de la température

Courseur de réglage de la température

Conseils pour la conservation des aliments

Compartiment du congélateur

- Le congélateur est destiné au stockage d'aliments à long terme congelés à très basse température, et à la production de glace.
- N'utilisez les balconnets de porte du congélateur que pour stocker des aliments congelés, et non pour des aliments chauds destinés à être congelés.
- Ne mettez pas les aliments frais et congelés les uns à côté des autres. Les aliments congelés peuvent fondre.
- Lorsque vous congelez des aliments frais (viande, poisson ou viande hachée), il faut les couper en morceaux pouvant être utilisés en même temps.
- Conservation des aliments congelés : des instructions sont généralement indiquées sur les emballages, qui doivent être respectées. S'il n'y a aucune information sur l'emballage, les aliments ne doivent pas être conservés plus de trois mois à compter de la date d'achat.
- Lors de l'achat d'aliments congelés, il faut s'assurer qu'ils ont été congelés à une température appropriée et que l'emballage n'est pas endommagé.
- Les aliments congelés doivent être conservés dans des emballages appropriés pour en conserver la qualité et doivent être remis dans le compartiment congélateur dès que possible.
- Si un emballage d'aliments congelés présente de l'humidité ou un renflement anormal, il est probable qu'il ait été conservé à la mauvaise température et que le contenu soit abîmé.
- La durée de conservation des aliments congelés dépend de la température ambiante, du réglage du thermostat, de la fréquence d'ouverture de la porte du congélateur, du type d'aliment et du temps de transport du magasin jusqu'à chez vous. Suivez toujours les instructions de l'emballage et ne dépassez jamais la durée de stockage maximale indiquée.

Compartiment de refroidissement

- Pour réduire l'humidité et l'accumulation de glace qui en résulte, ne mettez jamais de liquide dans le réfrigérateur dans des récipients non fermés hermétiquement. La gelée a tendance à se concentrer dans les parties les plus froides de l'évaporateur. Le stockage de liquides non couverts entraîne une décongélation plus fréquente.
- Ne mettez jamais d'aliments chauds dans le réfrigérateur. Ceux-ci doivent d'abord être refroidis à température ambiante, puis placés de manière à assurer une circulation d'air adéquate dans le réfrigérateur.
- Les aliments et les récipients ne doivent pas toucher la paroi arrière du réfrigérateur car ils pourraient geler. Il ne faut pas ouvrir régulièrement la porte du réfrigérateur.
- La viande et le poisson écaillé (placés dans un emballage ou une feuille de plastique) placés au réfrigérateur peuvent être utilisés dans 1 ou 2 jours.
- Les fruits et légumes sans emballage peuvent être placés dans la partie réservée aux fruits et légumes frais.

ATTENTION

Le réglage optimal de la température de chaque compartiment dépend de la température ambiante. La température optimale ci-dessus est basée sur une température ambiante de 25°C.

NETTOYAGE ET ENTRETIEN

Décongélation

- Le réfrigérateur est fabriqué selon le principe de refroidissement par air et dispose donc d'une fonction de dégivrage automatique. Le givre formé en raison du changement de saison ou de température peut également être éliminé manuellement en débranchant l'appareil ou en l'essuyant avec une serviette sèche.

Arrêt de fonctionnement

Panne de courant :

- En cas de panne de courant, même en été, les aliments à l'intérieur de l'appareil peuvent être conservés plusieurs heures ; pendant la panne de courant, les heures d'ouverture de la porte doivent être réduites et aucun aliment frais ne doit plus être mis dans l'appareil.

Longue période de non utilisation :

- L'appareil doit être débranché avant d'être nettoyé ; laissez les portes ouvertes pour éviter les odeurs.

Déplacement :

- Avant de déplacer le réfrigérateur, mettez tous les objets à l'envers, fixez les cloisons en verre, le bac à légumes, les tiroirs de la chambre de congélation, etc. avec du ruban adhésif, et serrez les pieds de nivellement ; fermez les portes et les fixez avec du ruban adhésif. Pendant le déplacement, l'appareil ne doit pas être posé à l'envers ou horizontalement ni être soumis à des vibrations ; l'inclinaison pendant le mouvement ne doit pas dépasser 45°.

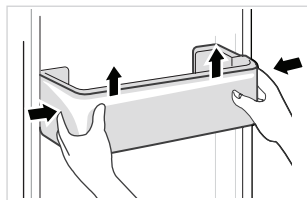
ATTENTION

Une fois mis en marche, l'appareil doit fonctionner en continu. En règle générale, le fonctionnement de l'appareil ne doit pas être interrompu ; autrement sa durée de vie peut être réduite.

Les aliments peuvent être conservés pendant quelques heures même en été en cas de panne de courant, il est recommandé de réduire la fréquence d'ouverture de la porte.

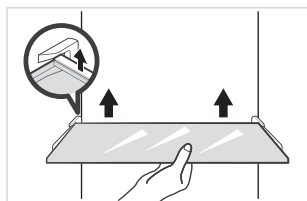
Nettoyage du plateau de porte

- Selon la flèche de direction dans la figure ci-dessous, utilisez les deux mains pour presser le plateau et poussez-le vers le haut pour pouvoir le sortir par la suite.
- Après avoir lavé le plateau retiré, vous pouvez ajuster sa hauteur en fonction de vos besoins.



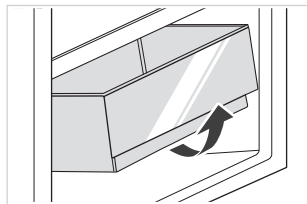
Nettoyage de l'étagère en verre

- Comme la partie la plus interne de la cuve du réfrigérateur, où se trouvent les étagères, est dotée d'une butée arrière, vous devez soulever les étagères vers le haut pour pouvoir les retirer.
- Ajustez ou nettoyez les étagères en fonction de vos besoins.



Nettoyage du bac à légumes

- Retirez le contenu du bac. Tenez la poignée du bac à légumes et tirez complètement jusqu'à ce qu'il s'arrête.
- Soulevez le bac à légumes et le retirer en le tirant vers l'extérieur.



ATTENTION

Pour le nettoyage, nous recommandons des serviettes douces ou une éponge trempée dans de l'eau et des détergents neutres non corrosifs. Le congélateur doit être finalement nettoyé à l'eau claire et avec un chiffon sec. Ouvrez la porte pour un séchage naturel avant de mettre l'appareil sous tension. N'utilisez pas de brosses dures, de billes de nettoyage en acier, de brosses métalliques, d'abrasifs tels que le dentifrice, de solvants organiques (tels que l'alcool, l'acétone, l'huile de banane, etc.), de l'eau bouillante, des produits acides ou alcalins ; nettoyez le congélateur en sachant que cela peut endommager la surface et l'intérieur du congélateur.

DÉPANNAGE

Les problèmes simples suivants peuvent être traités par l'utilisateur. Appelez le service après-vente si ces problèmes ne sont pas réglés.

| Problème | Cause possible |
|---|---|
| Échec de l'opération | <ul style="list-style-type: none">• Vérifiez si l'appareil est branché au secteur ou si la fiche est bien en contact |
| | <ul style="list-style-type: none">• Vérifiez si la tension est trop basse |
| Odeur | <ul style="list-style-type: none">• Vérifiez s'il y a une panne de courant ou des circuits partiels se sont déclenchés |
| | <ul style="list-style-type: none">• Les aliments susceptibles d'émettre des odeurs doivent être bien enveloppés |
| | <ul style="list-style-type: none">• Vérifiez s'il y a des aliments pourris• Nettoyez l'intérieur du réfrigérateur |
| Compresseur fonctionnant pendant une longue période | <ul style="list-style-type: none">• Un long fonctionnement du réfrigérateur est normal en été |
| | <ul style="list-style-type: none">• Lorsque la température ambiante est élevée, il n'est pas recommandé d'avoir trop d'aliments dans l'appareil en même temps |
| | <ul style="list-style-type: none">• Les aliments doivent refroidir avant d'être mis dans l'appareil |
| | <ul style="list-style-type: none">• Les portes sont ouvertes trop fréquemment |
| La lumière ne s'allume pas | <ul style="list-style-type: none">• Vérifiez si le réfrigérateur est branché à l'alimentation électrique et si la lumière est endommagée |
| | <ul style="list-style-type: none">• Faites remplacer la lumière par un professionnel |
| La porte ne peut pas être correctement fermée | <ul style="list-style-type: none">• La porte est coincée par des aliments. Trop d'aliments sont placés |
| | <ul style="list-style-type: none">• Le réfrigérateur est incliné |
| Bruits forts | <ul style="list-style-type: none">• Vérifiez si le sol est bien horizontal et si le réfrigérateur est placé de manière stable |
| | <ul style="list-style-type: none">• Vérifiez si les accessoires sont placés aux bons endroits |

| Problème | Cause possible |
|--------------------------------------|--|
| Le joint de la porte n'est pas serré | <ul style="list-style-type: none"> • Éliminez tout corps étranger sur le joint de la porte • Chauffez le joint de la porte, puis le refroidir pour le restaurer (ou soufflez dessus avec un séchoir électrique ou utilisez une serviette chaude) |
| Débordement du bac à eau | <ul style="list-style-type: none"> • Il y a trop d'aliments dans la chambre ou les aliments stockés contiennent trop d'eau, cela entraîne un fort dégivrage • Les portes ne sont pas fermées correctement, cela entraîne un dégivrage dû à l'entrée d'air et une augmentation d'eau |
| Boîtier chaud | <ul style="list-style-type: none"> • La dissipation de la chaleur du condenseur intégré via le boîtier est normale. Lorsque le boîtier devient chaud en raison d'une température ambiante élevée, du stockage d'une trop grande quantité d'aliments ou de l'arrêt du compresseur, il faut prévoir une bonne ventilation pour faciliter la dissipation de la chaleur |
| Condensation de surface | <ul style="list-style-type: none"> • La condensation sur la surface extérieure et les joints de porte du réfrigérateur est normale lorsque l'humidité ambiante est trop élevée. Il suffit d'essuyer la condensation avec une serviette propre. |
| Bruit anormal | <ul style="list-style-type: none"> • Vrombissement : Le compresseur peut produire des vrombissements qui sont forts en particulier au démarrage ou à l'arrêt. C'est normal. • Craquements : Le fluide frigorigène qui circule à l'intérieur de l'appareil peut produire des craquements, ce qui est normal. |



make yourself at home



www.midea.com

© Midea 2022 tous droits réservés