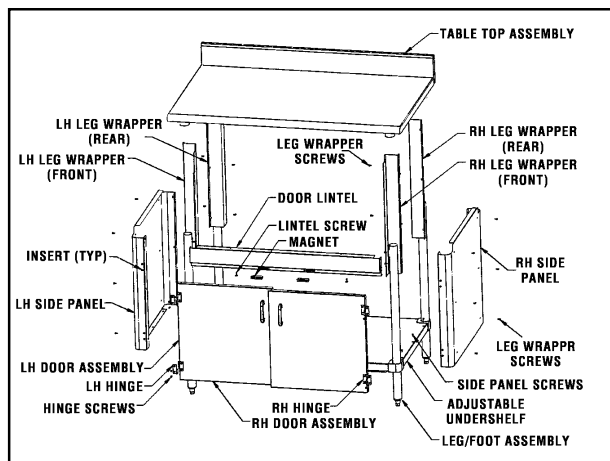


Table with Cabinet Kit – Hinged Doors

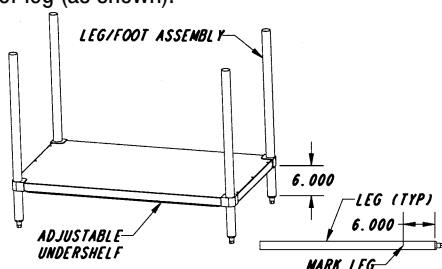
INSTALLATION INSTRUCTIONS

CAUTION

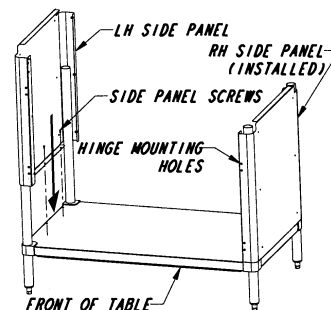
INSPECT CONTENTS IMMEDIATELY AND FILE CLAIM WITH DELIVERING CARRIER FOR ANY DAMAGE. **SAVE YOUR BOX AND ALL PACKING MATERIALS.** YOU ARE RESPONSIBLE FOR DAMAGE TO YOUR UNIT IF RETURNED IMPROPERLY PACKED.



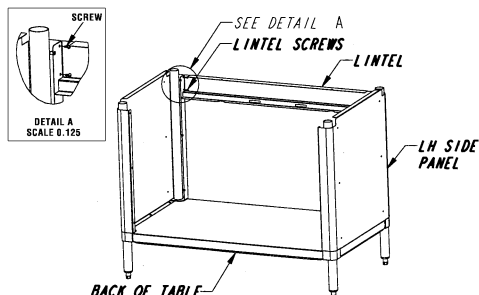
- (1) With set screws* provided, attach leg/foot assemblies to the adjustable undershef. Leave 6" from the bottom of casting to bottom of leg (as shown).



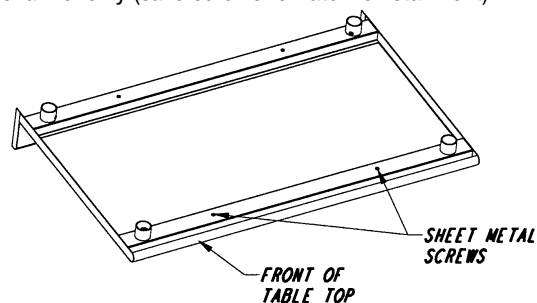
- (2) Slide side panels over leg/foot assemblies and attach with screws.



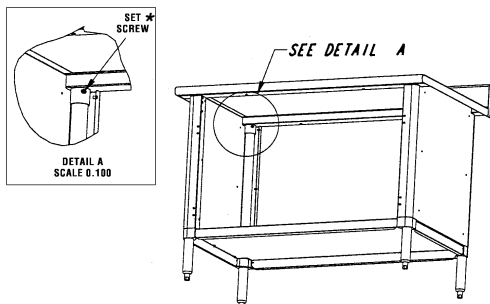
- (3) Attach lintel with screws at the designated areas.



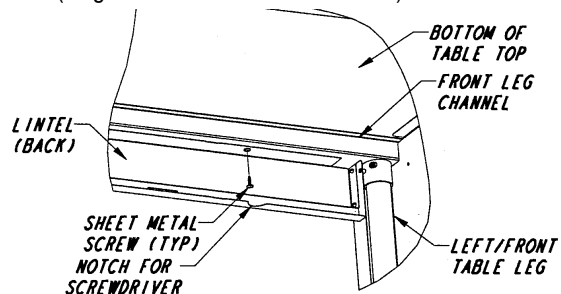
- (4) Remove sheet metal screws from the front table top channel only (save screws for later reinstallation).



- (5) Secure table top to legs by tightening set screw* with allen (hex) wrench. Typical (4) places (lintel not shown for clarity).



- (6) Re-install the sheet metal screws thru the designated holes in the lintel. The holes should match with leg channel holes (diagram shows back side of lintel).



*** To meet NSF standards:**
Set screws must be filled with NSF-approved sealant.



NSF-approved sealant.

(continued on page 2)

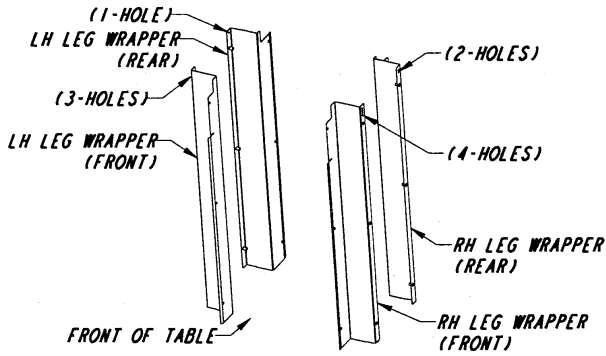
EG10005 Revised 03/23

Table with Cabinet Kit – Hinged Doors

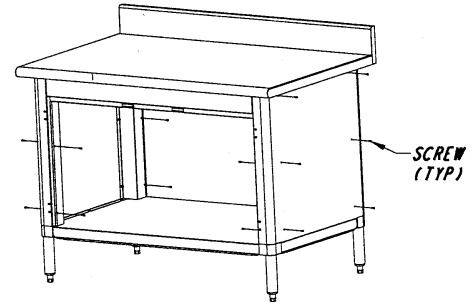
ASSEMBLY INSTRUCTIONS

(continued from front page)

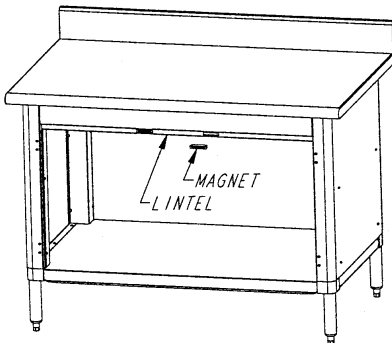
- (7) Determine leg wrapper positions according to hole designations. Diagram shows how they would appear under the table top.



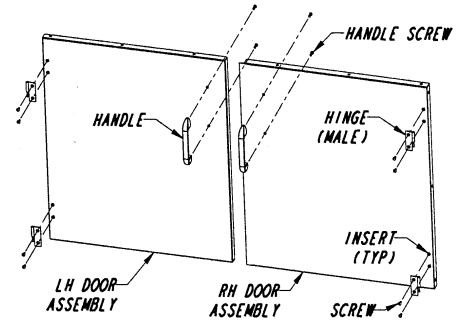
- (8) Diagram shows all leg wrappers in place with screw placements. Six screws secure each leg wrapper (some screws not shown).



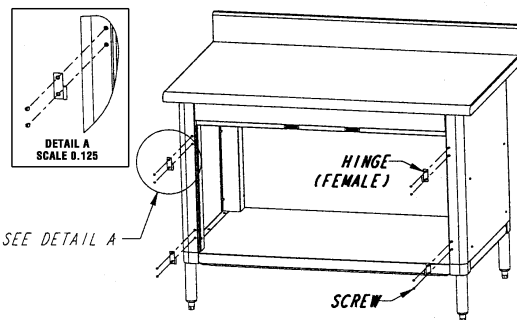
- (9) Magnets snap-in to lintel cutouts from the front (left magnet shown installed).



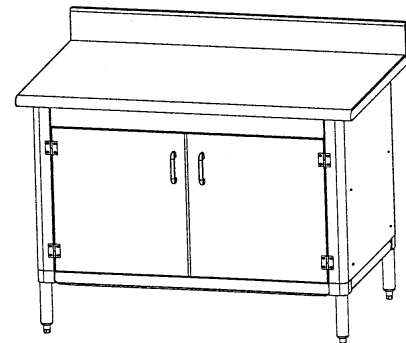
- (10) Attach the door handles with the screws (pre-installed). Attach (pin) hinges to inserts with screws so that the pin faces down.



- (11) Install (female) hinges to side panel inserts (female adapter should be on the bottom).



- (12) Install right and left hand door assemblies by sliding (male) pinned hinges on doors to female hinges on side panels.



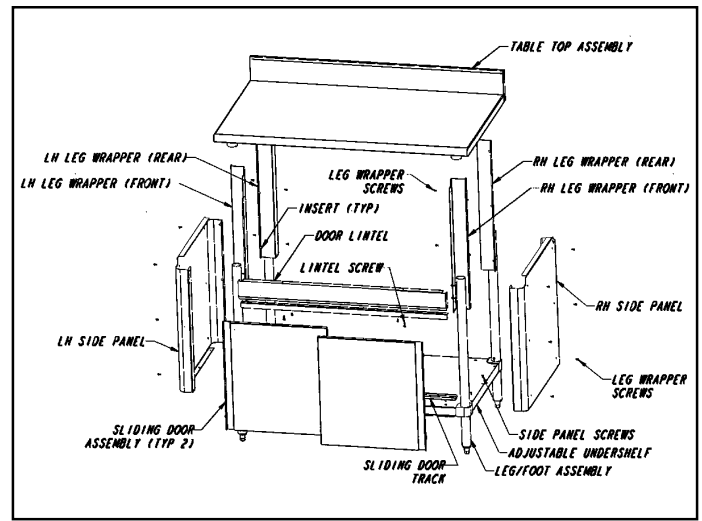
(End)

Table with Cabinet Kit – Sliding Doors

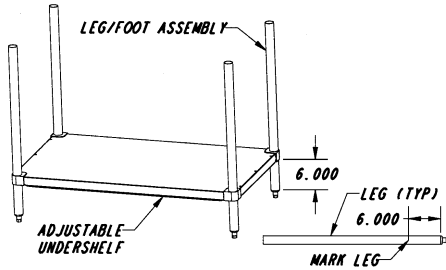
INSTALLATION INSTRUCTIONS

CAUTION

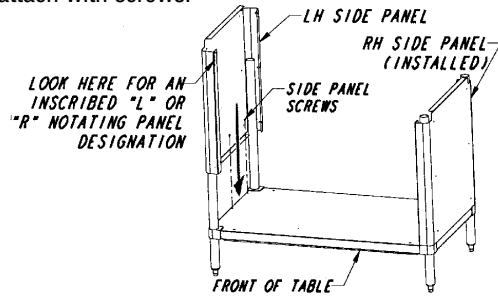
INSPECT CONTENTS IMMEDIATELY AND FILE CLAIM WITH DELIVERING CARRIER FOR ANY DAMAGE. **SAVE YOUR BOX AND ALL PACKING MATERIALS.** YOU ARE RESPONSIBLE FOR DAMAGE TO YOUR UNIT IF RETURNED IMPROPERLY PACKED.



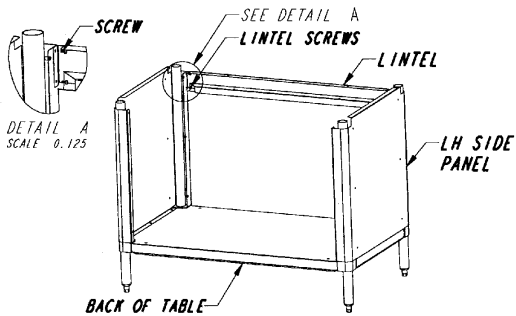
(1) With set screws* provided, attach leg/foot assemblies to the adjustable undershelf. Leave 6" from the bottom of casting to bottom of leg (as shown).



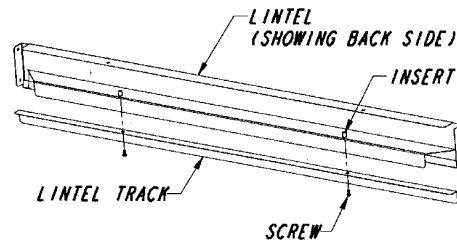
(2) Slide side panels over leg/foot assemblies and attach with screws.



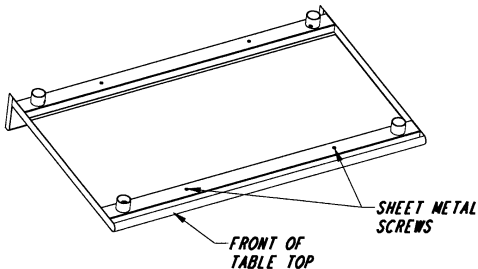
(3) Attach lintel with screws at the designated areas.



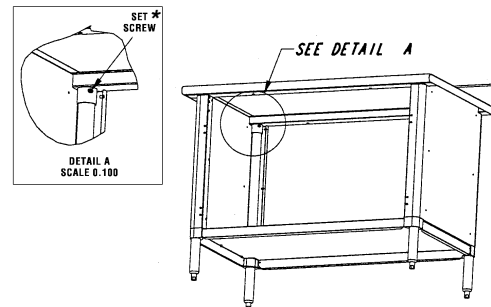
(4) Attach lintel track to lintel with screws.



(5) Remove sheet metal screws from the front tabletop channel only.



(6) Secure table top to legs by tightening set screw* with allen (hex) wrench. Typical (4) places (lintel not shown for clarity).



*** To meet NSF standards:**
Set screws must be filled with NSF-approved sealant.

set screw NSF-approved sealant.

(continued on back page)

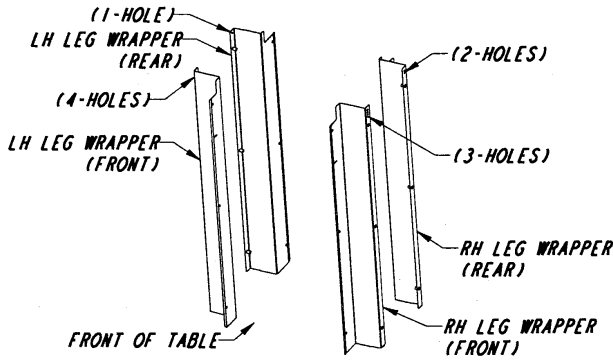


Table with Cabinet Kit – Sliding Doors

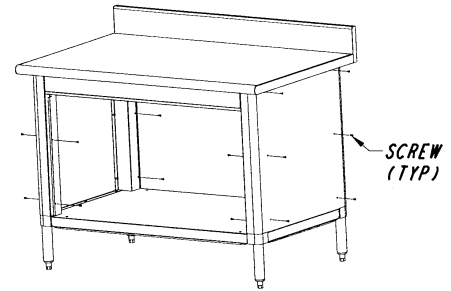
ASSEMBLY INSTRUCTIONS

(continued from page 3)

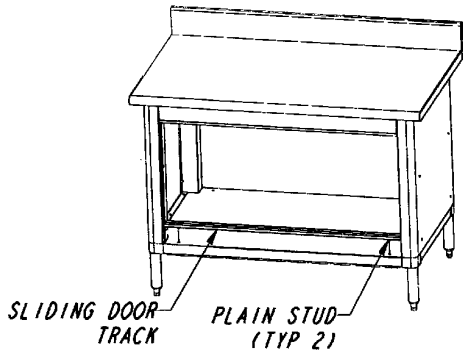
(7) Determine leg wrapper positions according to hole designations. Diagram shows how they would appear under the tabletop.



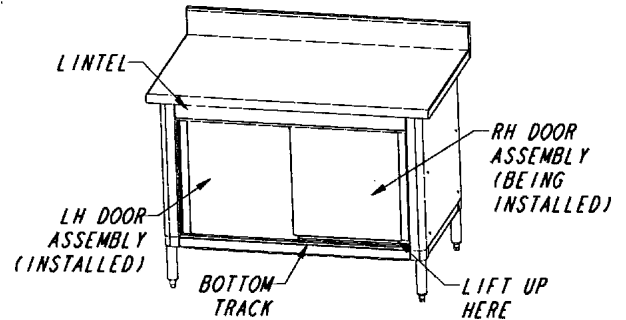
(8) Diagram shows all leg wrappers in place with screw placements. Six screws secure each leg wrapper (some screws not shown).



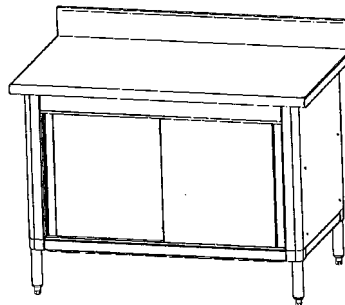
(9) Install sliding door track by placing the plain stud (pre-installed on track) in the predrilled holes of the adjustable undershelf.



(10) Install sliding doors by placing them behind the lintel into their separate tracks. Lift up on the bottom of the door to clear bottom track and place in corresponding track. (Place door in rear track first.)



Assembly is complete.



(End)