

ThermPro
Cook Like a Pro!



LED GRILL LIGHT USER MANUAL

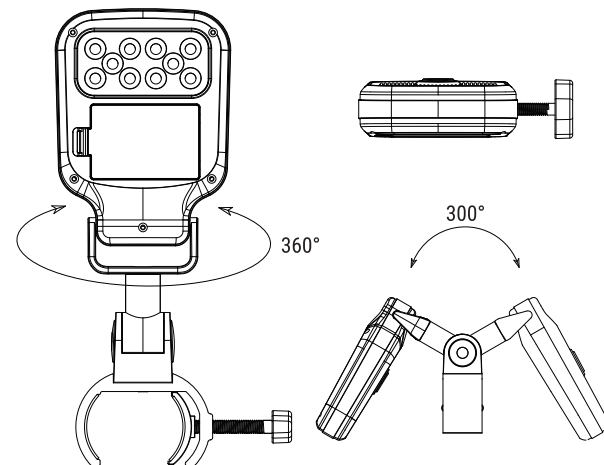
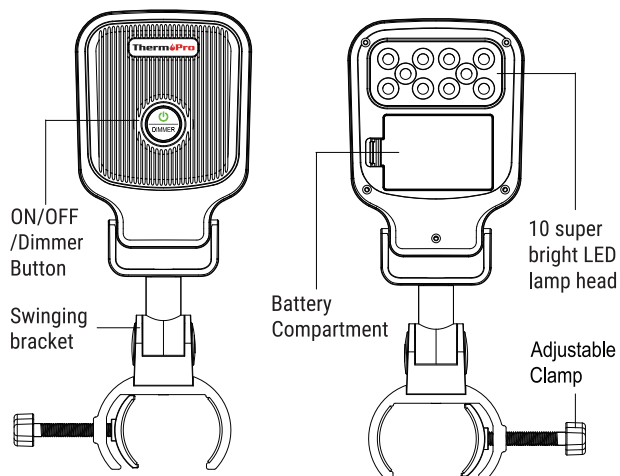
Introduction

Thanks for your purchase of this LED Grill Light. This appliance is intended for domestic use only, not for continuous commercial use. To ensure the best possible product performance, please read this quick start in its entirety and retain it for future reference.

Components


1 x LED Grill Light
3 x AAA Batteries
1 x User Manual

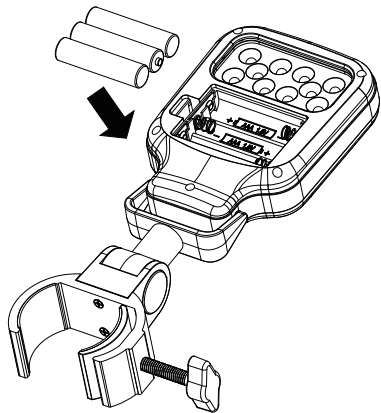
Features



1. Adjustable aluminum clamp attaches securely to most grill handles
2. 10 Super-bright LED lamps last 50,000 hours
3. **DIMMER** Button: Pressing once will turn on the light(weak lighting mode). Pressing again will switch to medium lighting mode. Pressing a third time will activate strong lighting mode. A fourth press will turn off the light. The brightness can be adjusted across three levels: low, medium, and high.
4. 360° rotatable design, allowing the light to be adjusted to any angle for illumination
5. Weatherproof design and polycarbonate housing stand up to years of use

Before First Use

1. Insert or replace battery: Insert 3 x AAA batteries in correct polarity (+) and (-) as indicated.
2. Press the  button to turn it on and use it.



Mounting the Grill Light

1. Allow the grill to cool completely prior to mounting the grill light.
2. Raise the grill lid to the fully open position.
3. Position the light along the handle at a location that allows you to close the lid without hitting the front of the grill and does not interfere with normal operation.
4. Do not over tighten. Close the lid slowly to make sure it will not interfere.

Note

1. Remove batteries if Grill Light is to be unused for two months or more, since batteries could leak and damage the grill light.
2. Do not immerse product body in water.

3. Do not incinerate, compact, or disassemble batteries

Specifications

1. Number of LED: 10PCS supper bright LED, life span more than 50,000 Hours
2. Luminous flux(LM): 100LM
3. Luminous color: white
4. Rotation angle: Vertical 300°; Horizontal 360°
5. Working temperature: -4°F-131°F(-20°C-55°C)
6. Dimming level: low, medium, and high
7. Power supply: 3 x AAA batteries

Declaration of Conformity

Hereby, the manufacturer declares that this product with the basic requirements and applicable regulations of the Radio Equipment Directive 2014/53/EU, the EMC Directive 2014/30/EU. The complete declaration of conformity can be found at:
<https://buythermopro.com/eu-declaration-of-conformity/>.

Disposal of the Electronic Appliance



This electronic appliance should not be disposed of with normal household waste. Dispose of the unit at an approved facility or at your local recycling center. Please observe the current rules and regulations when disposing of the appliance. Contact your local council if in doubt.

Limited One-Year Warranty

TempSpike warrants this product to be free of defects in parts, materials and workmanship for a period of one year, from date of purchase.

Should any repairs or servicing under this warranty be required, contact Customer Service by phone or email for instructions on how to pack and ship the product to TempSpike.

This warranty gives you specific legal rights and you may also have other rights which vary from state to state.

Customer Service

Telephone: 1-877-515-7797(USA & Canada)
 49-215-493-19011(DE)
 44-808-164-1683(UK)
 61-180-057-7492(AU)

Email: service@buythermopro.com
 Hours: Weekdays 8:00 AM- 8:00 PM EST