

newair[®]

SKU: AH-480

Panel Convection Heater



OWNER'S MANUAL

Read and save these instructions.



Intertek

Manual v1.3

READ AND SAVE THESE INSTRUCTIONS.

TABLE OF CONTENTS

Register Your Product Online.....	3
Safety Information & Warnings	4
Product Features.....	9
Assembly & Installation	11
Operating Instructions	13
Cleaning & Maintenance.....	14
Limited Manufacturer's Warranty	15

SPECIFICATIONS

MODEL NO.	AH-480
VOLTAGE:	120V~
FREQUENCY:	60Hz
POWER:	1500W
DIMENSIONS:	Width: 18.9 in Depth: 11.6 in (w/stand); 4.2 in (w/o stand) Height: 28.4 in (w/stand); 26.7 in (w/o stand) Weight: 10.3 lbs
HEATING AREA:	160 sq ft.
TIP-OVER PROTECTION:	Yes

REGISTER YOUR PRODUCT ONLINE

Register Your NewAir Product Online Today!

Take advantage of all the benefits product registration has to offer:



Service and Support

Troubleshoot, diagnose, and service issues faster and more accurately



Recall Notifications

Stay up to date for safety, system updates, and recall notifications



Special Promotions

Opt-in for NewAir promotions and offers

Registering your product information online is safe & secure and takes less than 2 minutes to complete:

newair.com/register

Alternatively, we recommend you attach a copy of your sales receipt below and record the following information, which is located on the manufacturer's nameplate on the rear of the unit. You will need this information if it becomes necessary to contact the manufacturer for service inquiries.

Date of Purchase: _____

Serial Number: _____

Model Number: _____

SAFETY INFORMATION & WARNINGS



When using any electrical appliance, basic safety precautions must be followed to reduce the risk of fire, electrical shock and/or injury to persons or property. Read all instructions before using this heater and observe the following safety tips:

- This appliance is for household use only. Please use a suitable power source (120V~/60Hz).
- Never immerse the appliance in water or other liquids.
- Do not use the appliance in direct sunshine. Do not use outdoors.
- Please turn off the appliance when not in use as it may otherwise result in danger.
- Please turn off the appliance and remove plug from outlet when unattended as it may otherwise result in danger.
- Keep the appliance away from children. The appliance is not to be used by persons (including children) with reduced physical, sensory, or mental capabilities, or lack of experience and knowledge unless they have been given supervision or instruction concerning use of the appliance by a person responsible for their safety. Children should not be allowed to play with the appliance.
- This appliance can be used by children from 8 years old and above and persons with reduced physical, sensory, or mental capabilities or lack of experience and knowledge if they have been given supervision or instruction concerning safe use of the appliance and they understand the hazards involved. Children should not play with the appliance. Cleaning and user maintenance should not be done by children without supervision.
- Children of less than 3 years should be kept away unless continuously supervised.
- Children aged from 3 years and less than 8 years should only switch on/off the appliance provided that it has been placed or installed in its intended normal operating position, and they have been given supervision or instruction concerning the use of the appliance in a safe way and understand the hazards involved. Children aged from 3 years and less than 8 years should not plug in, regulate, clean the appliance or perform user maintenance.
- Upon any indication of damage or malfunction, please stop using the appliance immediately to prevent hazards. Take it to an authorized service center for repair. Do not attempt to repair or change any parts by yourself.
- If the supply cord is damaged, it must be replaced by the manufacturer, its service agent or similarly qualified persons in order to prevent hazards.
- Please turn off and unplug the appliance before cleaning or maintenance.

- Clean the surface of the appliance with a dry cloth. Do not use corrosive detergent or solvent to clean. Do not submerge the appliance with water.
- Please turn off and unplug the appliance when not in use. Make sure the power is off before pulling out the plug and do not pull the cord.
- When the appliance is not in use for a prolonged period, please turn it off, unplug it, pack it well, and store it in a dry, cool place.
- Do not place flammable and explosive objects near or around the appliance, and do not use the appliance in an environment full of flammable gas. Keep away from any fire and heat sources.
- Please put the power cord in a place that will not cause individuals to trip over the appliance.
- Do not put any objects on the appliance and position the appliance immediately below a socket-outlet.
- Do not touch the front panel when operating.
- Please keep the back and front panels unblocked to minimize the risk of fire or malfunction.
- Do not let the power cord touch or come near the front panel. It will damage the insulation layer of the wires.
- Ensure no water leaks into the appliance in order to avoid electric shock. Do not put flammable objects or wet clothes on the front panel in order to avoid short circuit or fire.
- Please do not place the either side of the panel near curtains or walls when in operation because these will block the flow of air and cause a fire. The appliance should be installed at a minimum distance of 4 inches from the wall or other obstacles.
- Do not insert or allow foreign objects to enter any ventilation or exhaust opening as this may cause electric shock or fire, or damage the heater.
- Please do not insert any objects into the either side of the panel, in order to avoid electric shock.
- After a period of operation, abnormal noise and uneven air volume may appear because of dust blocking the airflow. This will disappear after cleaning the back net.
- Do not use an extension cord to operate the heater.
- Connect to properly grounded outlets only.
- The heater is to be installed so that switches and other controls cannot be touched by a person in the bath or shower.
- Do not cover the appliance with anything, especially flammable materials, such as clothes or paper.
- In order to prevent hazards due to the inadvertent resetting of the thermal cutout, this appliance must not be supplied through an external switching device, such as a timer, programmer, separate remote-control system or connected to a circuit that is regularly switched on and off by the utility.

- Some parts of this product can become very hot and cause burns. Particular attention has to be given where children and vulnerable people are present.
- This heater is hot when in use. To avoid burns, do not let bare skin touch hot surfaces. If provided, use handles when moving this heater. Keep combustible materials, such as furniture, pillows, bedding, papers, clothes, and curtains at least 3 feet (0.9 m) from the front of the heater and keep them away from the sides and rear.
- Extreme caution is necessary when any heater is used by or near children or invalids and whenever the heater is left operating and unattended.
- This heater is not intended for use in bathrooms, laundry areas and similar indoor locations. Never locate heater where it may fall into a bathtub or other water container.
- Use this heater only as described in this manual. Any other use not recommended by the manufacturer may cause fire, electric shock, or injury to persons.
- To prevent a possible fire, do not block air intakes or exhaust in any manner. Do not use on soft surfaces, like a bed, where openings may become blocked.
- Do not run cord under carpeting. Do not cover cord with throw rugs, runners, or similar coverings. Do not route cord under furniture or appliances. Arrange cord away from traffic area and where it will not be tripped over.
- **CAUTION – High temperature, keep electrical cords, drapery, and other furnishings at least 3 feet (0.9 m) from the front of the heater and away from the side and rear.**
- **ATTENTION —à haute température, garder les cordons électriques, des rideaux, et autres meubles au moins 3 pieds (0,9m) du devant de l'appareil et à partir du côté et à l'arrière.**
- **CAUTION: TO PREVENT ELECTRIC SHOCK, MATCH WIDE BLADE OF PLUG TO WIDE SLOT AND FULLY INSERT**
- **ATTENTION : POUR ÉVITER LES CHOCS ÉLECTRIQUES, INTRODUIRE LA LAME LA PLUS LARGE DE LA FICHE DANS LA BORNE CORRESPONDANTE DE LA PRISE ET POUSSER JUSQU'AU FOND.**
- SAVE THESE INSTRUCTIONS

SAFETY PRECAUTIONS

When using any electrical appliance, basic safety precautions must be followed in order to reduce the risk of fire, electrical shock and/or injury to persons or property. Be sure to read all instructions before using this appliance and observe the following safety tips:

Should the product stop working, please contact NewAir for assistance. Please do not attempt to repair it yourself.

Taking it apart or making any changes to the product or its circuitry may lead to further hazard.



Do not handle the plug with wet hands. It may cause electric shock.



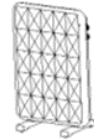
Electric shock



Do not touch



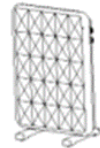
Do not insert sticks, metal or other objects into the outlet. It will cause a short circuit or even damage the device.



Do not use pesticides or other flammable sprays around the product. It will damage the device.



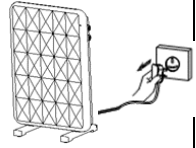
Do not face the front panel directly toward small children for extended periods of time.



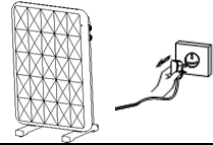
Do not pull on the power cord to unplug it from the outlet. It will damage the power cord or lead to electrical leakage.



Ensure the plug is not in contact with anything else and plug it in fully, or it may lead to a short circuit.



If there is a strange smell or sound, immediately unplug the cord from the wall.

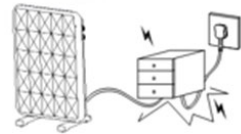


If the power cord is damaged, please do not use it. It can lead to power creepage, or short circuit and potentially cause a fire.

If the supply cord is damaged, do not attempt to repair it. Please contact NewAir for diagnosis and replacement.



Do not fold the power cord or place heavy objects on it. Electrical shock can be caused.



If you won't be using the product for an extended period, please turn off the machine and pull out the plug from the outlet.

Follow the requirements of the power outlet when using the device. The outlet bearing capacity must not be less than 15A/125V.

Ensure the voltage on the unit by checking the rated label (AC 120V).

When moving the unit, make sure the new outlet is also rated to work with the same voltage.

The heater must not be located immediately below or next to a wall outlet.

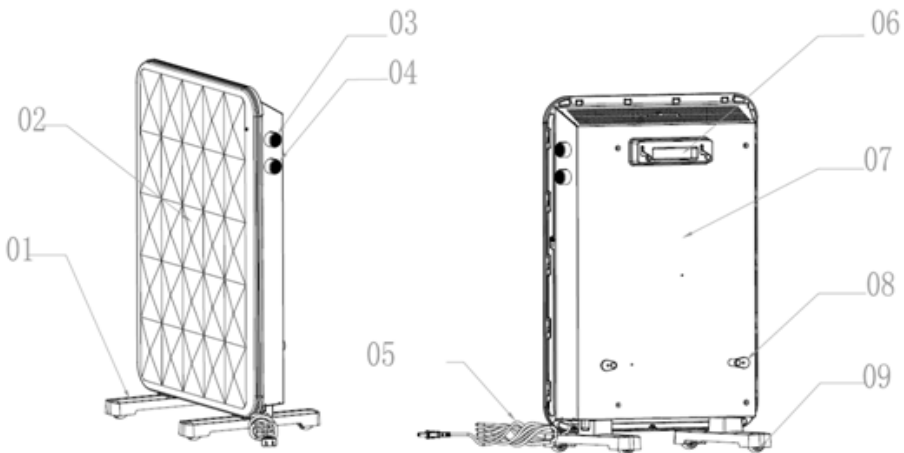
When using the product, do not place it up against a wall, as it could cause overheating and potentially a fire.

Do not cover any part of the heater while operating.

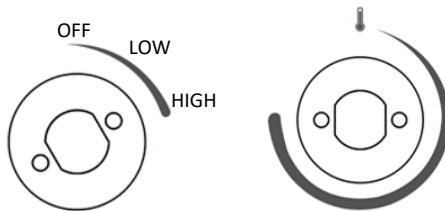
PRODUCT FEATURES

PRODUCT DIAGRAM

1. Heater base
2. Front panel
3. Rotary knob for power
4. Rotary knob for temperature
5. Power cord
6. Wall-mounting bracket
7. Back panel
8. Power cord holder
9. Casters



CONTROL PANEL:

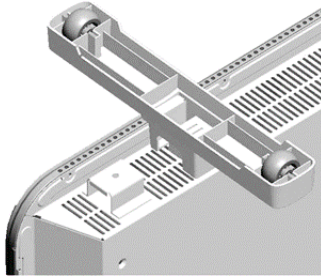


FEATURES:

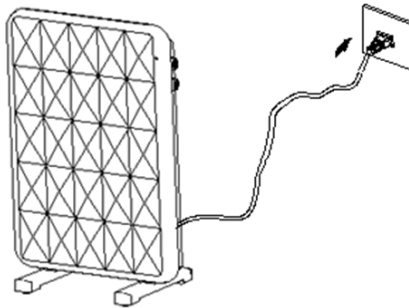
1. Mica heating plate with high heating efficiency.
2. Overheat and tip-over protection: Thermal fuse, NTC, and tip-over switch have been added to make the product safer.
3. Thermostat control: Conveniently allows you to set the product to the temperature you need.
4. Low noise when working.
5. Wall-mounted bracket and wheels allow the unit to be used anywhere.

ASSEMBLY & INSTALLATION

1. Open the packaging and remove the parts. Confirm the product and parts are in good condition.
2. Attach the two base pieces to the bottom of the heater panel with the provided screws.



3. Connect the cord to an appropriate outlet. If there is power coming to the unit, the orange LED will be on, and the heater will be in standby mode.



4. Install the heater on your wall:
 - To install it on the wall, remove the two base pieces if they are already attached.
 - Make sure there is room for 12 inches of space on the top and bottom of the unit, and at least 8 inches of space on both sides.
 - Drill three holes – (A), (B), (C or D) in Fig. 5 – into the wall to allow for insertion of drywall anchors. The diameter of each hole should be slightly less than the width of the anchors, about 0.2 inches. The distance between the holes should meet the requirements shown in Fig.5 (next page)
 - Insert the wall anchors into the three holes.

- Insert the screws into the anchors (A & B below). Make sure the screws are not entirely screwed into the wall. Leave a gap of about 0.2 inches to hang the heater onto as shown in the image below.
- Install the bracket onto the heater as shown in Fig.6. Insert a screw into the hole of the bracket and fix the screw into the rubber plug (hole C or hole D)

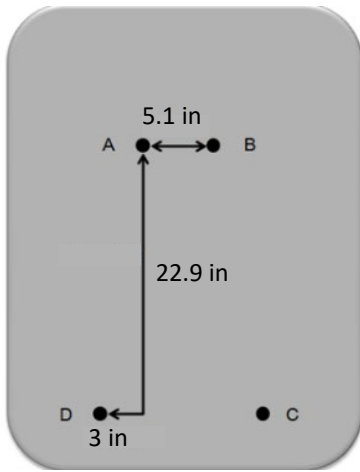


Fig.5 Hole Positions

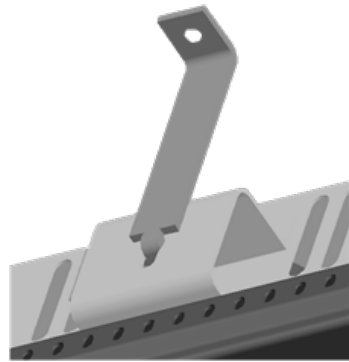
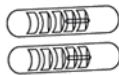
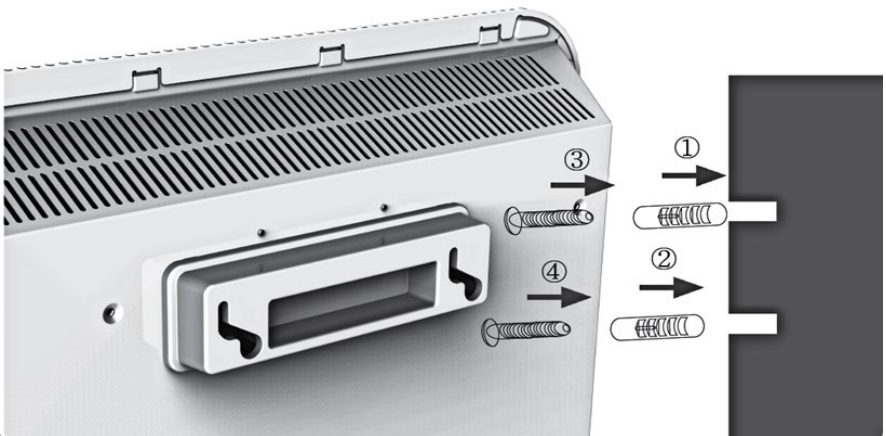
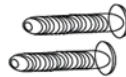


Fig.6 Lower Bracket

Drywall Anchors



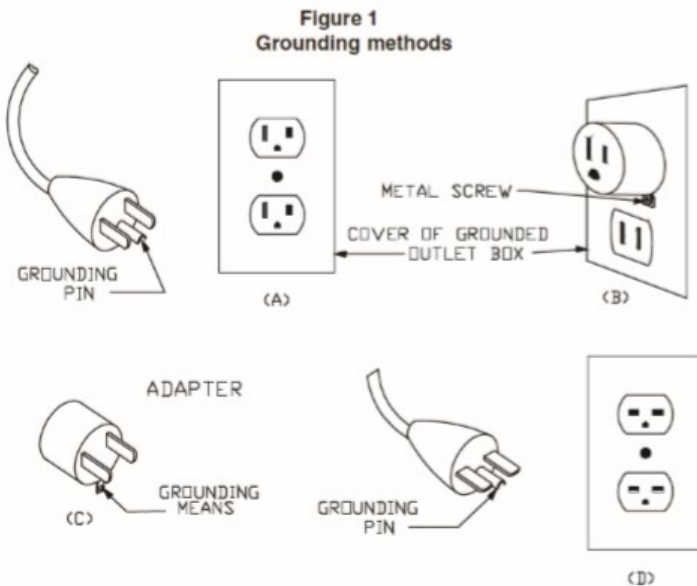
Screws



OPERATING INSTRUCTIONS

- In standby mode, turn the power switch to “Low” or “High.” Next, turn the temperature setting switch to max. The heater will start to work its magic.
- When the power switch is “Low,” the power is 750W.
- When turned to “High,” the power is 1500W.
- Turn the power switch to the original position and the heater will stop.

This heater is for use with a 120V outlet. The cord has a plug as shown at A in Figure 1. An adapter (as shown in figure C) can be used for connecting three-blade grounding-type plugs to two-slot outlets. The green grounding lug extending from the adapter must be connected to a permanent ground such as a properly grounded outlet box. The adapter should not be used if a three-slot grounded outlet is available. (WARNING: Do not use an adapter for any two-slot outlet that is not built into the wall, such as a two-prong extension cord.)



CLEANING & MAINTENANCE

CLEANING YOUR HEATER

Ensure that the device is switched off before cleaning or maintenance.

- Before doing any maintenance, pull the plug out of the wall outlet, and make sure the heater has become cool.
- Use a soft cloth to wipe the dust on the heater's surface. If the surface is too dirty, it is better to wipe it with the water lower than 50°C (122 °F) mixed with neutral detergent.
- Don't use gasoline, thinner and any other chemicals on the unit as they can easily damage the surface.
- Please dry the heater before storing it. To dry it, place it in a dry and ventilated area.

LIMITED MANUFACTURER'S WARRANTY

This appliance is covered by a limited manufacturer's warranty. For one year from the original date of purchase, the manufacturer will repair or replace any parts of this appliance that prove to be defective in materials and workmanship, provided the appliance has been used under normal operating conditions as intended by the manufacturer.

Warranty Terms:

During the first year, any components of this appliance found to be defective due to materials or workmanship will be repaired or replaced, at the manufacturer's discretion, at no charge to the original purchaser. The purchaser will be responsible for any removal or transportation costs.

Warranty Exclusions:

The warranty will not apply if the damage is caused by any of the following:

- Power failure
- Damage in transit or when moving the appliance
- Improper power supply such as low voltage, defective household wiring or inadequate fuses
- Accident, alteration, misuse, or abuse of the appliance such as using non-approved accessories, inadequate air circulation in the room or abnormal operating conditions (extreme temperatures)
- Use in commercial or industrial applications
- Fire, water damage, theft, war, riot, hostility or acts of God such as hurricanes, floods, etc.
- Use of force or damage caused by external influences
- Partially or completely dismantled appliances
- Excess wear and tear by the user

Obtaining Service:

When making a warranty claim, please have the original bill of purchase with the purchase date available. Once confirmed that your appliance is eligible for warranty service, all repairs will be performed by a NewAir™ authorized repair facility. The purchaser will be responsible for any removal or transportation costs. Replacement parts and/or units will be new, remanufactured or refurbished and is subject to the manufacturer's discretion. For technical support and warranty service, please email support@newair.com