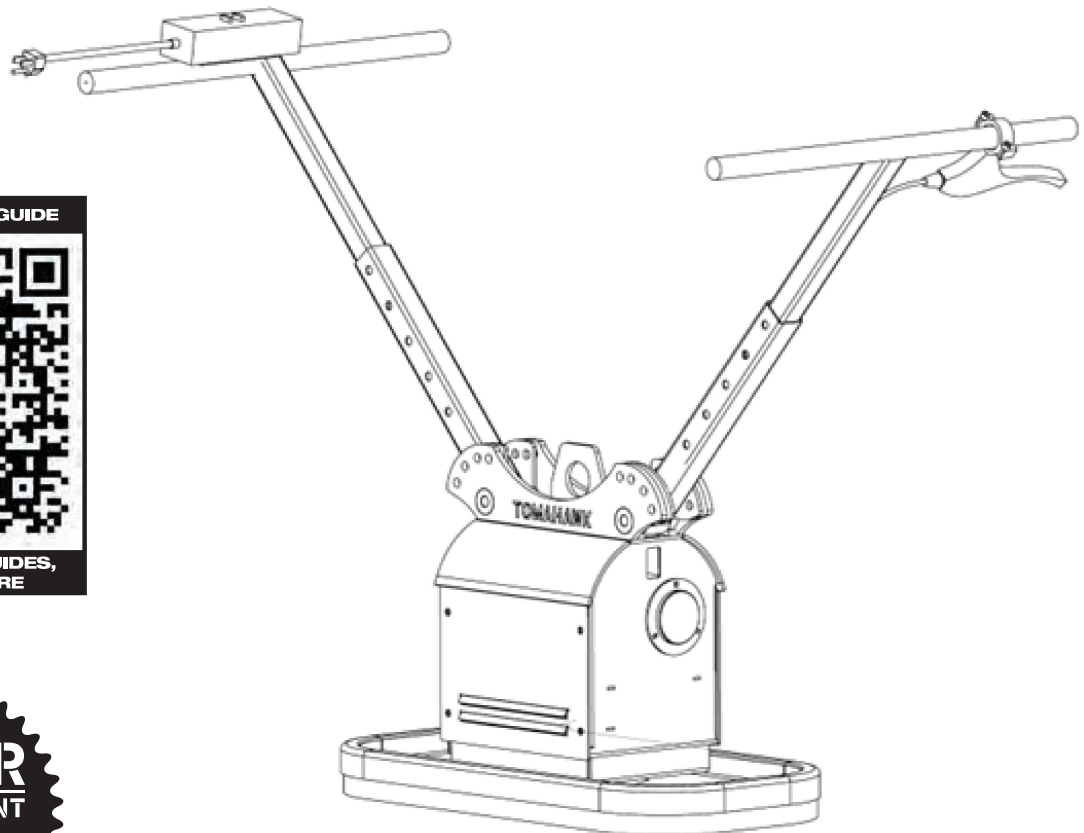


TOMAHAWK

PAVER VACUUM LIFTER

MODEL NUMBER: TVL440

Operations Manual



To reduce the risk of injury, the user must read and understand the Operator's Manual before using this product. Save these instructions for future reference.

Table of Contents

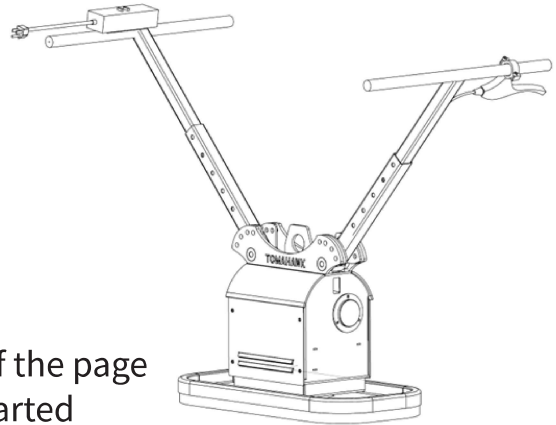
1. SAFETY INFORMATION	5
1.1 Fire Safety	5
1.2 General Safety	6
1.3 Service Safety	7
1.4 Operation Safety	7
2. PRODUCT DATA	8
2.1 Specifications	8
2.2 Features	9
3. APPLICATION	9
3.1 Pre-Operation Requirements	10
4. OPERATION	10
4.1 Start-Up	10
4.2 Lifting, Transporting, and Lowering Loads	10
4.3 Adjusting the Steering Handles	10
5. MAINTENANCE	10
5.1 Suction Pads/Seals	11
5.2 Leak Test	11
5.3 Maintenance Checklist	11
5.4 Maintenance Record	11
6. TROUBLESHOOTING	12
7. REPLACEMENT PARTS	13
8. WARRANTY	13
8.1 Warranty Claims	14
9. SERVICE CENTERS	14

Register Your Equipment

Thank you for purchasing TOMAHAWK® equipment! Your product is covered by the TOMAHAWK® Warranty policy, but in order to activate your warranty, we need you to register your product. In addition to activating your equipment warranty, product registration will grant you access to important product updates, streamlined customer service and more.

INCLUDED WITH YOUR REGISTRATION

- ✓ Equipment Warranty Activation
- ✓ Product Updates
- ✓ Streamlined Customer Service
- ✓ Exclusive Discounts and Sales



STEPS TO REGISTER YOUR EQUIPMENT

1. Visit www.tomahawk-power.com
2. Choose “Product Registration” at the bottom of the page
3. Enter your equipment’s serial number to get started
4. Provide all required information
5. Submit Registration

Equipment Resources

TOMAHAWK® Customer Service doesn’t stop at checkout. We understand to keep a job-site running smoothly - the proper equipment, spare parts, instruction manuals, and more are needed at the drop of a hat. Visit www.tomahawk-power.com to gain access to the incredible resources below.

How To Video Library

More of a visual person? Visit our Video Library for equipment assembly instructions, troubleshooting tips, and more!

Found at the TOMAHAWK® Resource Center

Manual and Assembly Guide Library

Visit our Manual Library if you are looking for a lost operations manual or a particular spare part?

Found on the TOMAHAWK® Manuals Page

Service Requests

In need of a quick fix or a service center referral? Submit a Service Request and a TOMAHAWK® Technician will respond shortly to get you the help you need.

Choose “Service Request” at the bottom of www.tomahawk-power.com



This manual provides information and procedures to safely operate and maintain this model. For your own safety and protection from injury, carefully read, understand and observe the safety instructions described in this manual.

Keep this manual or a copy of it with the machine. If you lose this manual or need an additional copy, please contact TOMAHAWK® or visit www.tomahawk-power.com. This machine is built with user safety in mind; however, it can present hazards if improperly operated and serviced. Follow operating instructions carefully. If you have questions about operating or servicing this equipment, please contact TOMAHAWK®.

The information contained in this manual is based on machines in production at the time of publication. TOMAHAWK® reserves the right to change any portion of this information without notice.

No part of this publication may be reproduced in any form or by any means, electronic or mechanical, including photocopying, without express written permission from TOMAHAWK®.

Any type of reproduction or distribution not authorized by TOMAHAWK® represents an infringement of valid copyrights and will be prosecuted. We expressly reserve the right to make technical modifications, even without due notice, which aim at improving our machines or their safety standards.

1. Safety Information

This manual contains DANGER, WARNING, CAUTION, and NOTE callouts which must be followed to reduce the possibility of personal injury, damage to the equipment, or improper service.



This is the safety alert symbol. It is used to alert you to potential personal injury hazards. Obey all safety messages that follow this symbol to avoid possible injury or death.



DANGER indicates an imminently hazardous situation which, if not avoided, will result in death or serious injury.



WARNING indicates a potentially hazardous situation which, if not avoided, could result in death or serious injury.



CAUTION indicates a potentially hazardous situation which, if not avoided, may result in minor or moderate injury.

1.1 Fire Safety

If your machine catches fire, turn off the electric supply. Using a dry powder or CO2 fire extinguisher, put out the fire. If the fire cannot be put out, keep away and call the fire department. If you are in any doubt about the safety condition of your machine, please consult TOMAHAWK®.

1.2 General Safety



Familiarity and proper training are required for the safe operation of equipment!

Equipment operated improperly or by untrained personnel can be dangerous! Read the operating instructions contained in both this manual and the engine manual and familiarize yourself with the location and proper use of all controls. Inexperienced operators should receive instruction from someone familiar with the equipment before being allowed to operate the machine.

1.2.1 NEVER allow anyone to operate this equipment without proper training. People operating this equipment must be familiar with the risks and hazards associated with it.

1.2.2 NEVER use accessories or attachments for this equipment, which are not recommended by TOMAHAWK®. Damage to the equipment and/or injury to user may occur.

1.2.3 NEVER leave machine running unattended.

1.2.4 ALWAYS be sure operator is familiar with proper safety precautions and operation techniques before using machine.

1.2.5 ALWAYS wear hearing protection when operating equipment.

1.2.6 ALWAYS wear protective clothing appropriate to the job site when operating equipment.

1.2.7 ALWAYS wear hearing protection when operating equipment.

1.2.8 ALWAYS store equipment properly when it is not being used. Equipment should be stored in a clean, dry location out of the reach of children.

1.2.9 ALWAYS operate machine with all safety devices and guards in place and in working order. **DO NOT** modify or remove safety devices. **DO NOT** operate machine if any safety devices or guards are missing or inoperative.

1.2.10 ALWAYS read, understand, and follow procedures in Operator's Manual before attempting to operate equipment.

1.3 Service Safety



For your own personal protection and for the safety of those around you, please read and ensure you fully understand the following safety information. It is the responsibility of the operator to ensure that he/she fully understands how to operate this equipment safely. If you are unsure about the safe and correct use of this equipment consult your supervisor.

1.3.1 The lifting device may not be operated in rooms which contain explosive atmospheres.

1.3.2 The ambient temperature of 104 °F/40 °C must not be exceeded.

1.3.3 Ensure by internal instructions and checks that the installation site is always kept clean and tidy.

1.3.4 When operating the device always wear:


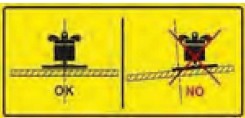


- Safety shoes (with steel toecaps)
- Tough gloves.
- Ear protection.

NOTE: Since the load is held by a vacuum, it will fall off as soon as this vacuum is lost. This can happen if the vacuum generator fails.

If the vacuum generator fails, lower the load immediately if this is possible. If this is not possible, immediately leave the dangerous area near the load.

The device generates a very strong suction which can draw in hair and clothing. **DO NOT** look into the suction opening when the device is switched on. Parts of body can be sucked in.

1.4. Operation Safety

Symbol	Meaning
	It is not allowed to be under hanging loads. Danger to life!
	Do not lift any components off- center.
	Danger of squeezing the hands.
	Read operating instructions before operating.

1.4 .1The device is only designed for the use specified in this documentation.

1.4 .2 Every other use is not authorized and is forbidden

1.4 .3 All relevant safety regulations, corresponding legal regulations, especially regulations of the declaration of conformity, and additional local health and safety regulations must be observed.

1.4 .4 Prior to every operation, the user must ensure that:

- The equipment is suited to the intended operation, the functioning and the working
- Condition of the equipment is examined, and the loads are suitable to be handled.

NOTE: The use of this device is only permitted in proximity to the ground.

1.4 .5 Some suction plates which can be mounted to the device will reduce its carrying capacity.

1.4 .6 The maximum load is indicated on each suction plate(pg. 8).

1.4 .7 Use only suction plates which are approved for this device

1.4 .8 The load (stone slabs) which is to be sucked and transported, must have sufficient inherent stability, otherwise there is risk of breakage when lifting!

1.4 .9 Stone slabs must not be bend when lifting – especially take care with thin and large-sized stone slabs.

1.4 .10 Generally, the load (stones slab) is only to be sucked in the middle, otherwise the load hangs diagonally under the device and the load could break - especially when lifting large stone slabs with a small suction plate.

1.4 .11 Standard suction plates are not suitable for the transport of glass plates.

Do not exceed the maximum carrying capacity of the suction plates!!

LOAD (STONE SLABS) WILL FALL!



1.4 .12 Unauthorized alterations of the device and the use of any self-made additional equipment could cause danger and are therefore forbidden!!

1.4 .13 Never exceed the carrying capacity and the nominal width/nominal size of the device.

1.4 .14 Do not release the handles while a load is attached.

1.4 .15 Move the steering handles to the working position as follows:

1. Remove the security clips from the locking pins
2. Pull out the locking pins
3. Move the handles to the desired position
4. Insert the locking pins and secure them with the security clips.

1.4 .16 All unauthorized transportations with the device are not allowed:

- Transportation of people and animals.
- Transportation of other loads and materials than described in this manual.
- Never suspend any goods with ropes, chains or similar at the device.

2. PRODUCT DATA

2.1 SPECIFICATIONS

MODEL	TVL440
Maxium Lifting Capacity Frame	200Kg, 441 Lbs
Weight without suction pad	18 Kg, 40 Lbs
Blower motor, Power	1200W
Voltage	110V/60Hz
Temperature range	0°-40° 0°-40°
Calculated save working load suction pads	At -200m bar low pressure

Plate Dimension	Plate	Lifting Capacity lb/kg
12 x 16 in (300 x 400 mm)		210 lbs (95 kg)
12 x 24 in (300 x 600 mm)		330 lbs (150 kg)
Optional Add-on		
16 x 24 in (405 x 600 mm)		440 lbs (200kg)

2.2 Features

2.2.1 On/Off Switch

The On/Off switch is used to turn the unit on and off.

2.2.2 Release Valve

2.2.2.1 The Release valve is used to release the load by opening the vent.

2.2.2.2 It should only be used when the load is resting on a solid surface.

2.2.2.3 When the Release valve is activated, the vacuum is released, and the unit can be removed from the workpiece.

2.2.3.4 Vacuum Motor

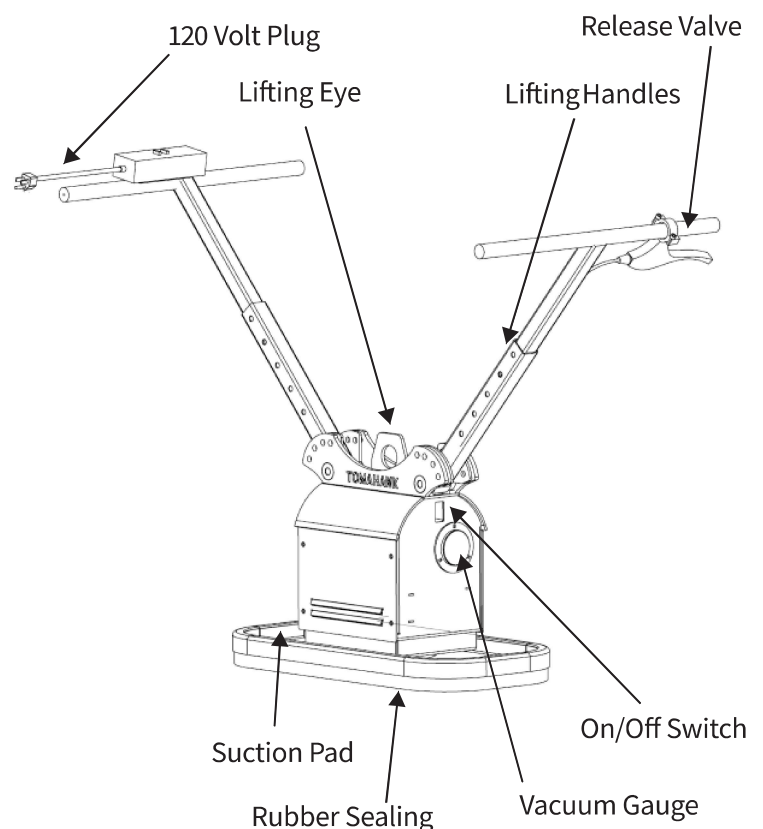
The vacuum is created by an electric blower motor.

2.2.4.5 Suction Pads

The suction pads are designed to lift items with smooth, airtight surfaces.

To create suction, the pad must be in full contact with the load.

Always place the suction pad in the center of the item to ensure an even lift.



If the pad is off-center, the workpiece could drop during lifting or lowering because the load will be unevenly distributed.

3. APPLICATION

Introducing the TOMAHAWK® TVL440– Vacuum Lifter the ultimate solution for lifting, transporting, and laying stone slabs, concrete elements, steps, and more. Designed for effortless heavy load handling, the TVL440 makes carrying materials over short distances a breeze, providing both ease and comfort. Powered by a rechargeable battery, it eliminates the need for strenuous manual labor, boosting efficiency and reducing operator fatigue. Get the job done faster and smarter with the TOMAHAWK® TVL440.

3.1 Pre-Operation Requirements

The device requires two people to operate, or it may only be used suspended vertically from a crane or other lifting equipment with a lifting device.

The lifting device must always be used in a vertical position.

It is prohibited to transport people or animals with the load or lifting device.

3.1.1 Safety and Modifications

Maximum Lifting Capacity:

The maximum lifting capacity is 440 lbs / 200 kg and must not be exceeded.

NOTE:Unauthorized modifications to the lifting device are prohibited for safety reasons. Always follow the operating, maintenance, and service instructions in this manual.

3.1.2 Checking the Safety Devices

The lifting device has a safety feature: a vacuum gauge with a red danger zone.

Check the vacuum gauge at the start of each shift or once a week if operating continuously.

3.1.3 Checking the Vacuum Gauge

3.1.3.1 Turn on the lifting device.

3.1.3.2 Place the device on a flat surface and apply vacuum.

3.1.3.3 Once the vacuum is built up, the vacuum gauge should show at least -0.2 bar.

3.1.4.1 Cleaning the Air Filter

3.1.4.2 Inspect and clean the air filter weekly by blowing out dirt.

- If the filter is dirty, the manometer will show a higher reading than the actual vacuum at the suction pads.

3.1.4.3 Clean the air filter regularly to ensure the device operates safely.

- If any issues are found, fix them before using the device.
- If faults occur during use, turn off the device and fix the problem before continuing.

3.1.5 Hydraulic Excavator and Other Lifting Equipment

3.1.5.1 Hydraulic excavators and other lifting equipment must be in good, safe working condition.

3.1.5.2 Ensure that the maximum capacity of the equipment is not exceeded.

3.1.5.3 Only authorized, certified, and qualified personnel should operate the lifting equipment.

4. OPERATION

4.1 Start- Up

4.1.1 Plug in lifting vacuum into an outlet.

4.1.2 Press the switch to the ON “I” position to turn on the vacuum motor.

4.1.3 Position the vacuum lifting device directly above the load. Do not pull it sideways.

4.2 Lifting, Transporting, and Lowering Loads

The following operating steps must be checked by a qualified mechanic before the device is used by the operator. Any faults must be corrected before use.

4.2.1 Lifting Loads

- Ensure the load is evenly distributed.
- Lower the vacuum lifting device onto the load.
- The suction pad will grip the load.
- Monitor the pressure gauge. Once the vacuum pressure reaches -200 m bar (when the gauge pointer is in the green range), you can lift the load.
- Never attempt to lift the load with less than the required vacuum, as it could cause the load to drop.
- When lifting from a stack, ensure that only one item is lifted at a time.
- The duty cycle (lifting/venting) should not exceed 2/3 lifting and 1/3 venting.
- The maximum lifting time is 30 seconds, followed by 15 seconds with the inlet open.

4.2.2 Transporting Loads

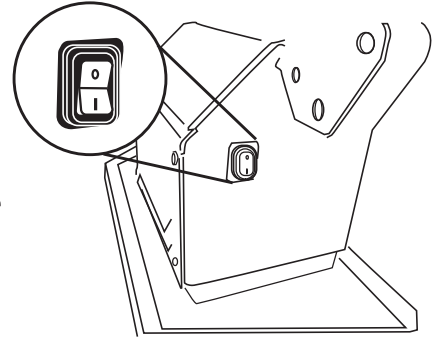
- Avoid jerky movements while transporting the load.
- The operator controlling the lever must clearly communicate their actions to the second operator to avoid any misunderstandings.

4.2.3 Lowering Loads

- Lower the load onto a safe, clear, and level surface to prevent it from slipping or tipping over.
- Pull the operating lever to release the load.

4.3 Adjusting the Steering Handles

- The steering handles can be adjusted to accommodate operators of different heights. This should only be done when the device is resting on the ground.
- Remove the security clips.
- Move the locking pins to the desired position, then secure the pins again with the security clips.



5. MAINTENANCE

5.1 Always disconnect the power supply before performing any maintenance work.

5.2 Only qualified personnel, such as mechanics and electricians, are allowed to install or maintain the device.

5.3 The fans must not be opened during the warranty period, as doing so will void the warranty.

5.4 After any repair or maintenance work, verify the safety devices as outlined in the Safety section.

5.1 Suction Pads/Seals

5.1.1 Remove any debris or contaminants, such as adhesives, glue, sawdust, or dust, from the seals at least once a week. Use glycerine to clean the seals.

5.1.2 Immediately replace any damaged seals (e.g., tears, holes, or deformities).

5.1.3 Do not use petrol (gasoline) for cleaning.

5.1.4 Use a suitable cleaning agent to clean the device, but avoid using petrol (gasoline) or harsh, corrosive fluids, as they can damage the hoses and cause leaks.

5.1.5 Suction plates should always be replaced in full. If needed, heat the bolts of the suction plate to make them easier to loosen.

5.2 Leak Test

5.2.1 Check the device for leaks at least every three months.

5.2.2 Apply the suction pad to a flat, airtight surface.

5.2.3 Turn on the vacuum blower and wait until the vacuum reaches at least -200 m bar.

5.2.4 If the vacuum level is not reached, check the following:

5.2.5 Whether the seals or hoses are damaged.

5.2.6 Ensure the connectors are tight.

5.2.7 Make sure the filter element is clean.

5.3 Maintenance Checklist

Maintenance	Daily	Weekly	Monthly	Every 6 months	Every 12 months
Checking of: Safety devices, vacuum gauge, release valve, and power cable	●				
Check the gauze (air filter)	●				
Electrical equipment OK? Cable glands tight?			●		
Inspect load-carrying parts for deformation, wear and other damage. Such as: lifting eye, steering handles, locking pins, and security clips				●	
Clean and inspect suction pads on wear, damage, deformation and other damage. Check seals	●				
Yearly inspection of the vacuum device, including up to date inspection sticker					●
General inspection of the vacuum device					●
Leak test			●		●

6. TROUBLESHOOTING

ISSUE	CAUSE	SOLUTION
Vacuum Motor isn't working.	<ul style="list-style-type: none"> • Vacuum Motor is broken. • No current supply 	<ul style="list-style-type: none"> • Test Vacuum Motor, • Call your supplier. • Check power cable • Check On/Off switch.
Vacuum Motor is running, but there is little to none air movement	<ul style="list-style-type: none"> • Release valve is open. • Air filter is filled with dirt. • Rubber seal isn't in a correct position or broken. 	<ul style="list-style-type: none"> • Check release valve. • Clean air filter. • Check rubber seal, or replace it.
Vacuum doesn't reach -0,2 bar.	<ul style="list-style-type: none"> • Workpiece has cracks, openings, or is porous. • Seal damaged or worn out. • Vacuum gauge defective. 	<ul style="list-style-type: none"> • Workpiece not suitable for this device. • Replace seal. • Replace vacuum gauge.
Vacuum is reached, but the product cannot be lifted.	Release valve is broken.	Repair or replace.

7. REPLACEMENT PARTS

7.1 For replacement parts and technical questions visit www.tomahawk-power.com

7.2 Not all equipment components are available for replacement. The illustrations within this manual are a convenient reference to the location and position of parts in the assembly sequence.

7.3 When ordering parts, the following will be required: equipment model number, serial number/lot, date code, and description.

7.4 The distributor reserves the right to make design changes and/or improvements to equipment, parts, accessories, and manuals without notice.

8. EQUIPMENT WARRANTY

Your new TOMAHAWK® equipment is warranted to the original purchaser for a period of one-year (12 months) from the original date of purchase. The TOMAHAWK® warranty is against defects in design, materials and workmanship.

The following are not covered under the warranty:

8.1 Damage caused by abuse, misuse, dropping or other similar damage caused by or as a result of failure to follow assembly, operation or user maintenance instructions.

8.2 Alterations, additions or repairs carried out by persons other than TOMAHAWK® or their recognized agents.

8.3 Transportation or shipment costs to and from TOMAHAWK® or their recognized agents, for repair or assessment against a warranty claim, on any machine.

8.4 Materials and/or labor costs to renew, repair or replace components due to fair wear and tear.

8.5 TOMAHAWK® and/or their recognized agents, directors, employees or insurers will not be held liable for consequential or other damages, losses or expenses in connection with or by reason of or the inability to use the machine for any purpose.

8.1 Warranty Claims

Before submitting any warranty claim, you will need to register your new TOMAHAWK® equipment through www.tomahawk-power.com or email support@tomahawk-power.com.

Follow the steps on page 3 or scan this QR codes to complete the equipment registration. After registration is complete, all warranty claims should firstly be directed to TOMAHAWK® through the online Service Request form found at www.tomahawk-power.com/pages/service-request.



9. SERVICES CENTERS

Our service centers are equipped to handle your equipment maintenance and repair needs efficiently. With a network of authorized local service locations , you can find expert support and genuine parts needed to keep your equipment running smoothly. All locations are listed on the webpage <https://tomahawk-power.com/pages/find-a-service-center>.

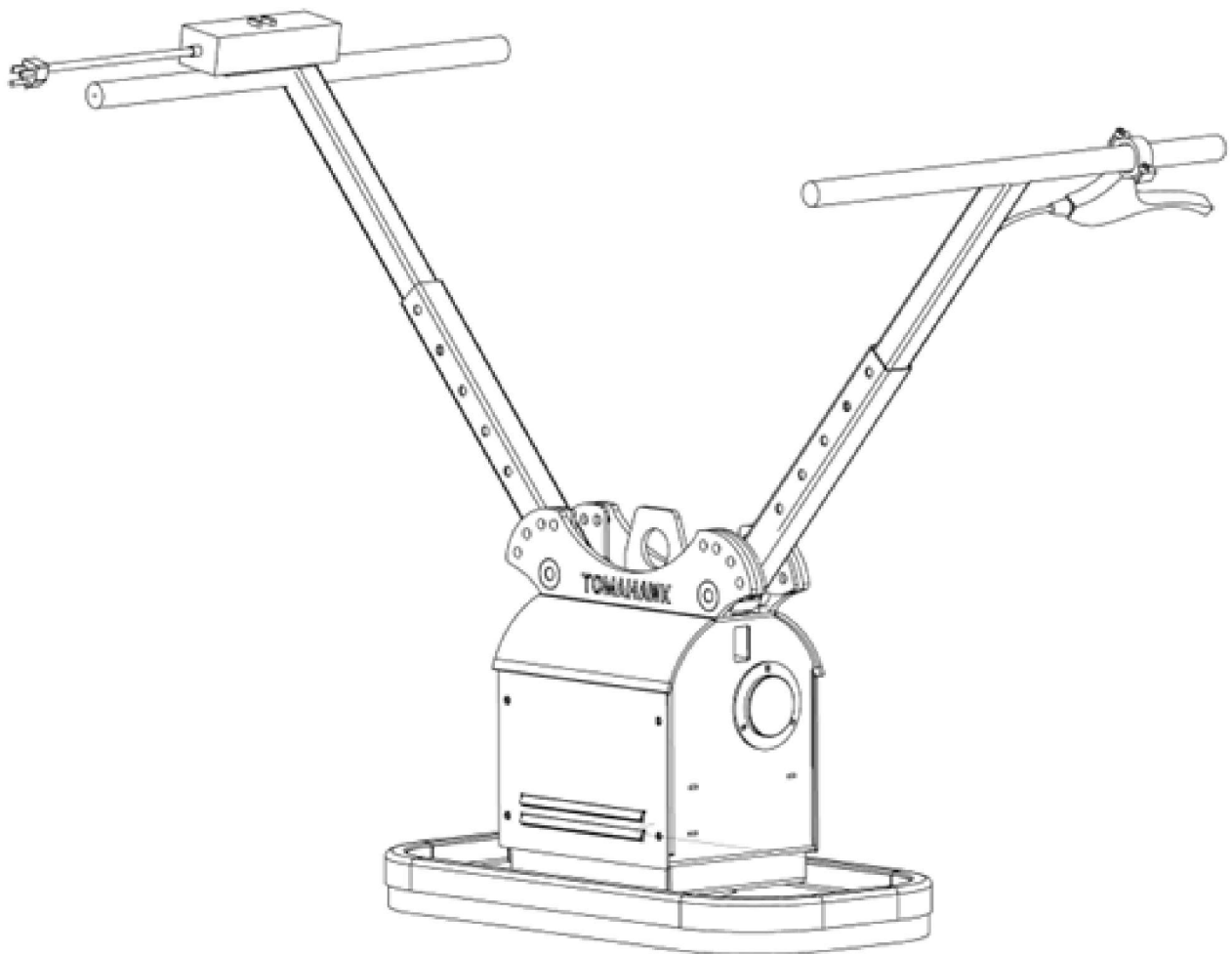
For Service Call (866) 577- 4476

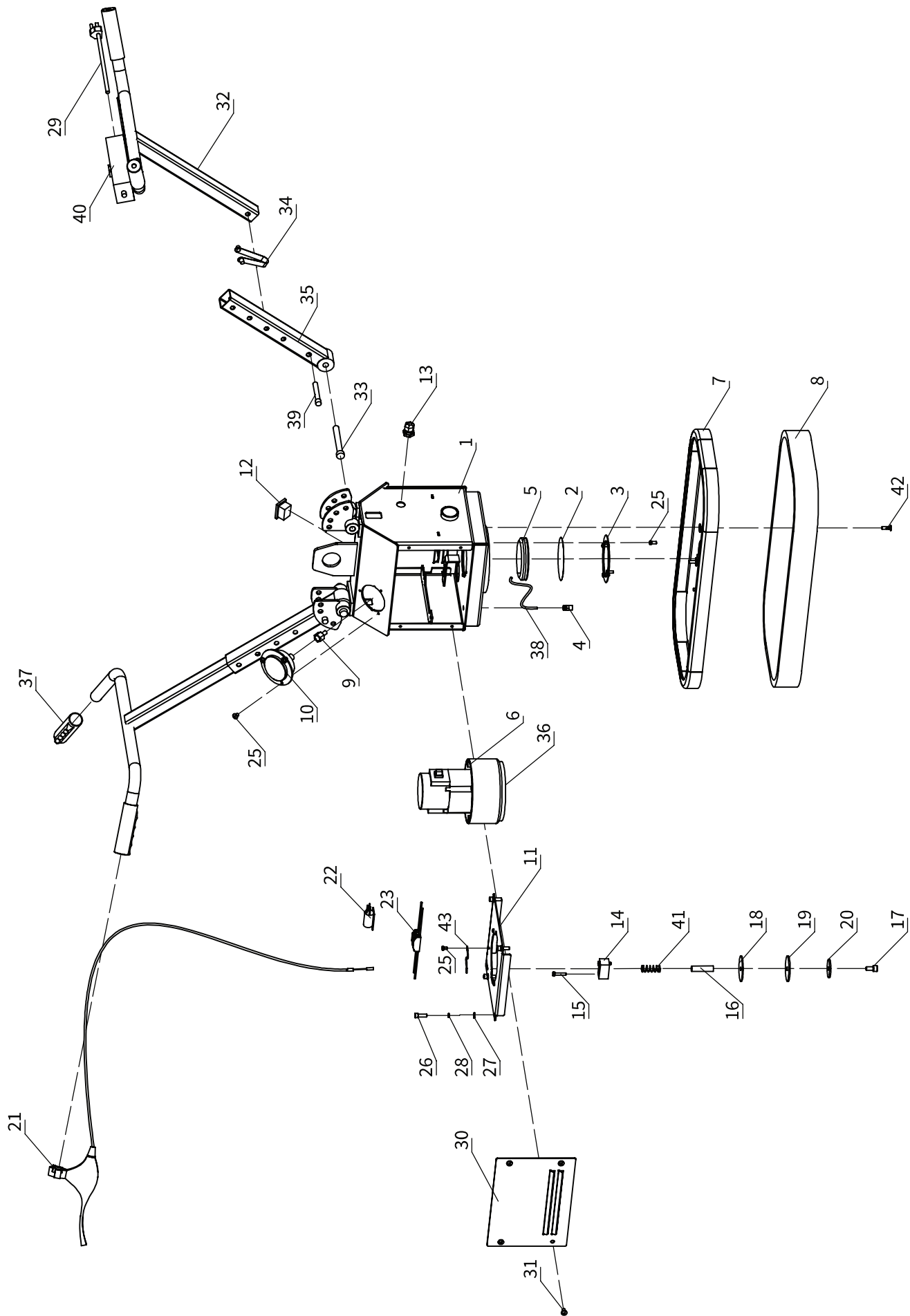
TOMAHAWK

PAVER VACUUM LIFTER

MODEL NUMBER: TVL440

Parts Manual





PART LIST

No.	Name	Qty.
1	Motor housing	1
2	Filter mesh	1
3	Retainer	1
4	Air Pipe Connector	1
5	Seal ring	1
6	Vacuum motor	1
7	Suction pad	1
8	Sealing Ring	1
9	Connector	1
10	Pressure gauge	1
11	Middle plate	1
12	Motor switch	1
13	Cord connector	1
14	Nylon block	1
15	Hex bolt	2
16	Vacuum nozzle	1
17	Hex socket bolt	1
18	Suction head, big	1
19	Rubber cushion	1
20	Suction head, small	1
21	Release grip	1
22	Capacitor	1

No.	Name	Qty.
23	Connector Post	2
24	Philips Head bolt	2
25	Philips Head bolt	8
26	Hex socket bolt	8
27	Washer	8
28	Spring washer	8
29	Power cord	1
30	Side cover plate	2
31	Philips Head bolt	8
32	Handle upper	2
33	Lock pin	2
34	Spring Clip	2
35	Rubber grip	2
36	Foam cushion	1
37	Handle lower	4
38	Air Pipe	1
39	Lock pin	2
40	GFCI	1
41	Return valve spring	1
42	Philips Head bolt	4
43	Grounding wire	1

TOMAHAWK

Equipment Guide

COMPACTION



Wheel Kit Available



Rammers

Part#:	Battery Powered Option Available
TR68H	3,550 lbs/sq ft, Honda GX120
JX60H	3,350 lbs/sq ft, Honda GX100
eJX60H	3,350 lbs/sq ft, Honda GXE2.0S



Wheel Kit Available

Forward Plate Compactors

Part#:	Battery Powered Option Available
TPC80H	3,000 lbs/sq ft, Honda, 21"x17" Plate
TPC85H	3,200 lbs/sq ft, Honda, 23"x17" Plate
TPC90H	3,400 lbs/sq ft, Honda, 22"x20" Plate



Reverse Plate Compactors

Part#:	
TPC100H	3,500 lbs/sq ft, Honda, 19"x14" Plate
TPC170H	7,000 lbs/sq ft, Honda, 28"x20" Plate
TPC400H	11,690 lbs/sq ft, Honda, 32"x22" Plate

CONCRETE



Power Screeds

Part#:	Battery Powered Option Available
TVSA-H	6-16 ft Magnesium Blades Honda GX35, Adjustable Handles
eTVSA	6-16 ft Magnesium Blades 36V/5 Ah Battery, Adjustable Handles



Concrete Sprayers

Part#:	TCS6.5 Adjustable from 0-450 PSI
Handles 30% + Solids, 1.8 HP 2 Stroke Motor, 24" Brass Wand 0.5 GPM, Fan Nozzle Included, Spray 15,000 ft ² in 10 Minutes	



Early Entry Saws

Part#:	
TFS6H	6" Blade Diameter, Blade Compatibility, Honda GX120
TFS10H	10" Blade Diameter, Self Propelled, Blade Compatibility, Honda GX270/GX390

TROWELS



Porta-Trowels

Part#:	JXPT30T Lightweight at 40 lbs
Adjustable 18 ft Extension Bull Float Poles 30" Diameter, 4-Blade Assembly Adjustable Blade Pitch from 0-28°	



Walk Behind Trowels

Part#:	Items Listed Includes Combo Blades
TPT24H	2 ft Edger, Honda GX160, 0-28° Blade Pitch
TPT36H	3 ft, Honda GX160/GX270, 0-28° Blade Pitch
TPT46H	4 ft, Honda GX270/GX390, 0-28° Blade Pitch



Ride on Trowels

Part#:	
TRT46V	8 ft Hydraulic Steer, 35 HP Vanguard, CVT Clutch, 180 RPM
TRT60V	10 ft Full Hydrostatic, 74 HP Hatz Diesel

HAVE QUESTIONS?

Contact us. *We're here to help!*

(866) 577-4476

Email us at sales@tomahawk-power.com



TOMAHAWK

Equipment Guide

GENERATORS

QUIET INVERTER SERIES



58 db

2,000 - 3,300 Watt Series

TG2000i	2,200w Max / 2,000w Rated
TG3000i	3,300w Max / 3,000w Rated, 120/220V, 30 AMP Twist Lock Run Time 8 Hrs @ 50% Load CARB Compliant, GFCI 120v

QUIET INVERTER SERIES



62 db

4,500 - 5,500 Watt Series

TG4500i	4,500w Max / 3,800w Rated
TG5500i	5,500w Max / 5,000w Rated, 120/220V Run Time 8 Hrs @ 50% Load CARB Compliant, GFCI

QUIET INVERTER SERIES



62 db

10,500 Watt Series

TG9000i	10,500w Max / 8,500w Rated Voltage Selector, 120/220V Run Time 14.5hrs @ 25% Load CARB Compliant, GFCI, CO Detector
----------------	--

FLOORING

Assorted Blade Choices



Grinders and Scrapers

Part#:	
TGDR10	10" Disc, 120V, 1/32" Per Pass, 11 AMP, 1.5 HP, 1,725 RPM
TSCP8	8" Blade, 120V, 11 AMP, 3/4 HP, 1,725 RPM, Carpet & Tile Remover

Assorted Blade Choices



Concrete Scarifier

Part#:	TSCAR-8H	*Battery Powered Option Available
	Honda GX160 Engine, Scarifies 350 - 500ft ² /hr OSHA Compliant Vacuum Port 8" Carbide Tungsten Drum Kit, 1/8" Per Pass	

Assorted Brush Choices



Floor Sweepers

Part#:	*Battery Powered Option Available
TOS38	38" Working Width, Triple Broom System, 14.5 Gallon
eTOS30	30" Working Width, Battery Powered Triple Broom System, 13.5 Gallon

OUTDOOR POWER

HONDA ENGINES



Trash Water Pumps

Part#:	
TW3H	3" Pump, Honda GX270, 375 GPM, Elevation: 89ft, Suction: 25ft
TW4H	4" Pump, Honda GX390, 581 GPM, Elevation: 92ft, Suction: 26ft



Power Buggy

Part#:	TBUGGY300e	48V-20Ah Battery
	Handles up to 8 cu ft or 660 lbs. Bucket Capacity Hydraulic Bucket with 92° Tilt, 8 Hour Run Time Snow Plow Attachment & Bucket Extender Available	

HONDA ENGINES



72 db

Welder Generators

Part#:	6010-7024 Rods Compatible	
TWG120A	120 Amp Welder, 60% Duty Cycle, 2000w, Includes Wheel Kit	
TWG210A	210 Amp Welder, 60% Duty Cycle, 2000w, Includes Wheel Kit	

ASSEMBLED IN THE
USA
PARTS SOURCED GLOBALLY

(866) 577-4476

www.tomahawk-power.com



Power Your World

Tomahawk understands to keep a job-site running smoothly the proper equipment and spare parts are needed at the drop of a hat. With same day shipping and faster delivery times, count on Tomahawk to keep you powered throughout the day! With long lasting parts and engines, Tomahawk equipment will be the star of your fleet for years to come. Visit www.tomahawk-power.com to get started today!

TOMAHAWK

TOMAHAWK®, LLC
San Diego, CA

Sales Support
(866) 577-4476
sales@tomahawk-power.com

Equipment Support
(866) 577-4476
support@tomahawk-power.com

www.tomahawk-power.com



FACEBOOK
facebook.com/TomahawkPowerUSA

YOUTUBE
youtube.com/TomahawkPower

INSTAGRAM
[@tomahawkpower](https://instagram.com/tomahawkpower)