



OWNER'S MANUAL  
MANUEL DU PROPRIÉTAIRE  
MANUAL DEL PROPIETARIO



<b>WASHING MACHINE</b> Owner's Manual.....	<b>1 - 11</b>
<b>MACHINE À LAVER</b> Manuel du propriétaire.....	<b>12 - 22</b>
<b>LAVADORA DE ROPA</b> Manual del propietario.....	<b>23 - 33</b>

**MODEL • MODÈLE • MODELO**  
DWM060WDB



# Welcome

Welcome to the Danby family. We are proud of our quality products and we believe in dependable service. We suggest that you read this owner's manual before plugging in your new appliance as it contains important operation information, safety information, troubleshooting and maintenance tips to ensure the reliability and longevity of your appliance.

Visit [www.Danby.com](http://www.Danby.com) to access self service tools, FAQs and much more. For additional assistance call **1-800-263-2629**.

**Note the information below; you will need this information to obtain service under warranty. You must provide the original purchase receipt to validate your warranty and receive service.**

**Model Number:** \_\_\_\_\_

**Serial Number:** \_\_\_\_\_

**Date of Purchase:** \_\_\_\_\_

## Need Help?

Before you call for service, here are a few things you can do to help us serve you better.

**Read this owner's manual:**

It contains instructions to help you use and maintain your appliance properly.

**If you receive a damaged appliance:**

Immediately contact the retailer or builder that sold you the appliance.

**Save time and money:**

Check the troubleshooting section at the end of this manual before calling. This section will help you solve common problems that may occur.



1-800-26- Danby  
(1-800-263-2629)



## Important Safety Information

### READ AND FOLLOW ALL SAFETY INSTRUCTIONS

#### SAFETY INSTRUCTIONS

**WARNING:** To reduce the risk of fire, electric shock or injury to persons when using this appliance, follow basic safety precautions, including the following:

- Do not wash articles that have been previously cleaned in, washed in, soaked in or spotted with gasoline, dry-cleaning solvents or other flammable or explosive substances as they give off vapors that could ignite or explode.
- Do not add gasoline, dry-cleaning solvents or other flammable or explosive substances to the wash water. These substances as they give off vapors that could ignite or explode.
- Under certain conditions, hydrogen gas may be produced in a hot water system that has not been used for 2 weeks or more. **HYDROGEN GAS IS EXPLOSIVE.** If the hot water system has not been used for such a period, turn on all hot water faucets and let the water flow for several minutes before using the washing machine. This will release any accumulated hydrogen gas. Do not smoke or use an open flame during this process.
- Do not reach into the appliance if the tub or agitator is moving.
- Do not install or store this appliance where it will be exposed to the weather.
- Do not tamper with the controls.
- Do not repair or replace any part of the appliance or attempt any servicing unless specifically recommended in the user maintenance instructions or in published user repair instructions that you understand and have the skills to carry out.
- Do not operate the appliance when the water pressure is lower than 7 PSI or higher than 0.5MPa to avoid damage to the inlet system.

This appliance is not intended for use by persons (including children) whose physical, sensory or mental capabilities may be different or reduced, or who lack experience or knowledge, unless such persons receive supervision or training to operate the appliance by a person responsible for their safety.

#### GROUNDING INSTRUCTIONS

This appliance must be grounded. Grounding reduces the risk of electrical shock by providing an escape wire for the electrical current.

This appliance has a cord that has a grounding wire with a 3-prong plug. The power cord must be plugged into an outlet that is properly grounded. If the outlet is a 2-prong wall outlet, it must be replaced with a properly grounded 3-prong wall outlet. The serial rating plate indicates the voltage and frequency the appliance is designed for.

**WARNING** - Improper use of the grounding plug can result in a risk of electric shock. Consult a qualified electrician or service agent if the grounding instructions are not completely understood, or if doubt exists as to whether the appliance is properly grounded.

**Do not connect your appliance to extension cords or together with another appliance in the same wall outlet.** Do not splice the power cord. Do not under any circumstances cut or remove the third ground prong from the power cord. Do not use extension cords or ungrounded (two prongs) adapters.

If the power supply cord is damaged, it must be replaced by the manufacturer, its service agent or similar qualified person in order to avoid hazard.

Any questions concerning power or grounding should be directed toward a certified electrician.

**DANGER:** Risk of child entrapment. Children must be supervised around this appliance. Ensure that the lid is removed before discarding this appliance.

**SAVE THESE INSTRUCTIONS!**

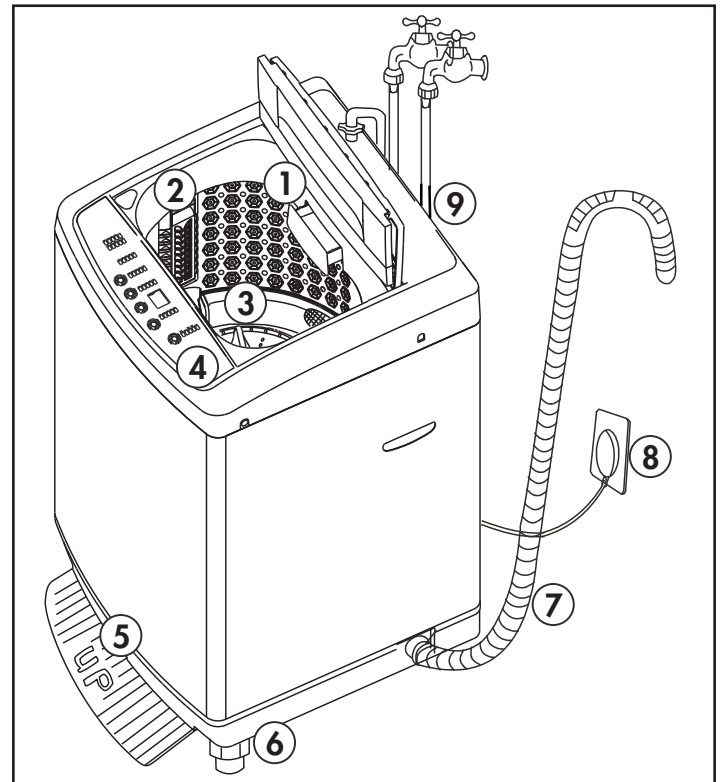
## INSTALLATION INSTRUCTIONS

### LOCATION

- Two people should be used when moving the appliance.
- Remove interior and exterior packaging prior to installation. Remove the shipping brace and save it to prevent damage to washer components whenever washer is moved or transported to a new location. The shipping brace is a small plastic brace that is adhered to the packing Styrofoam.
- Wipe the outside of the appliance with a soft, dry cloth and the inside with a lukewarm wet cloth. Do not spray the appliance with water.
- Place the appliance on a level floor that is strong enough to support it when it is fully loaded, in a room that has convenient access to a water supply and drain, has low moisture and humidity and does not freeze in winter.
- Do not place the appliance on carpeted flooring as this can block the lower ventilation openings.
- Keep the appliance away from heat sources and out of direct sunlight. Excessive heat or sunlight can deform or discolour the appliance.
- This appliance is intended for household use only. It is not designed for outside installation, including anywhere that is not temperature controlled (garages, porches, vehicles, etc.).
- This appliance is 54.5 cm (21.5 inches) wide by 95 cm (37.4 inches) high by 55 cm (21.7 inches) deep. Make sure that you leave the minimum amount of space between the appliance and all surrounding walls and vents.
- Allow 12.7 cm (5 inches) of space between the back, sides and top of the appliance and all adjacent walls.
- This appliance is intended for free-standing installation only and is not intended to be built into a cabinet or counter. Building in this appliance can cause it to malfunction.
- Do not use excessively hot water in the appliance, 50°C (122°F) or more. Plastic parts and clothing may be deformed or damaged.

### FEATURES

1. Detergent Case
2. Filter Assembly
3. Pulsator
4. Control Panel
5. Noise Proof Plate
6. Adjustable Foot
7. Drain Hose
8. Power Supply Cord
9. Inlet Hoses



### LEVELING INSTRUCTIONS

It is important that the appliance is level to help avoid unbalanced loads and excessive noise.

1. Turn the leveling foot counter-clockwise until the top of the foot is touching the bottom of the cabinet.
2. Slowly turn the leveling foot clockwise until the appliance is level.

**Note:** This appliance includes one adjustable foot on the front, three solid feet and two rollers on the back to aid in moving the appliance from place to place.

## INSTALLATION INSTRUCTIONS

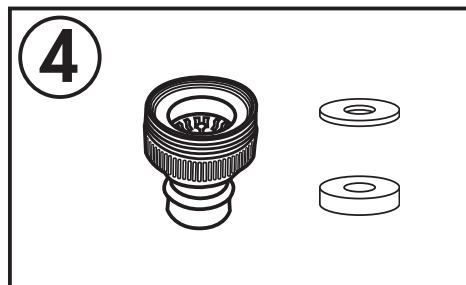
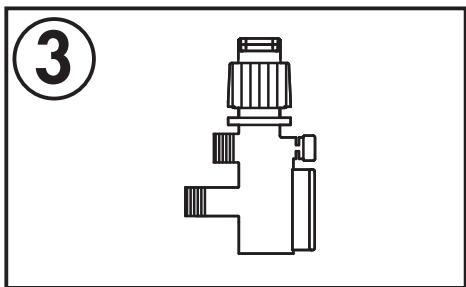
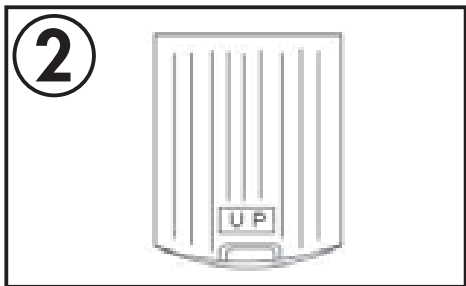
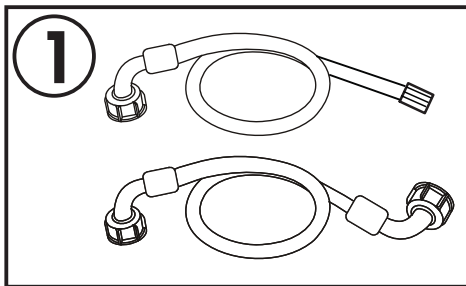
### ACCESSORIES AND PREPARATION

You will need the following tools to install the washer:

- Wrench
- Pliers
- Screwdriver

Ensure that all provided accessories are present and accounted for:

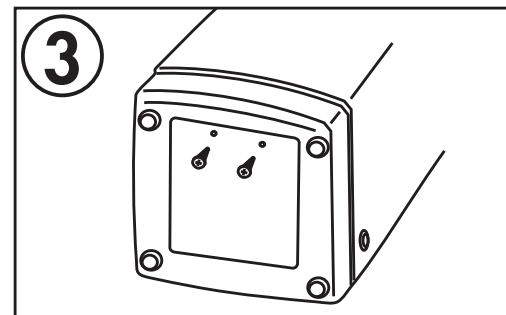
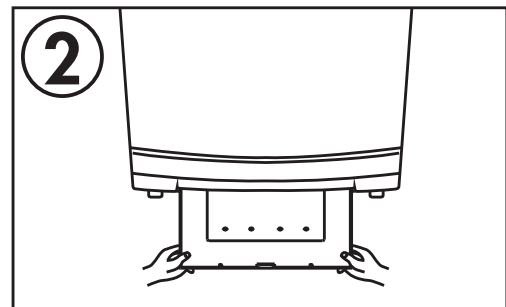
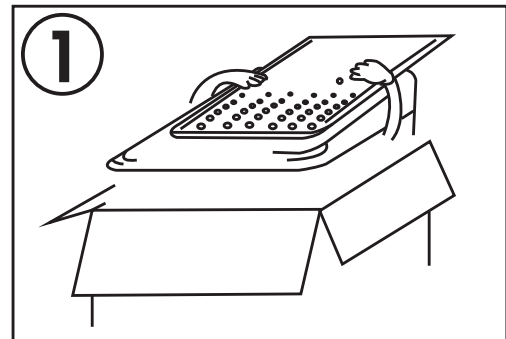
1. Two inlet hoses
2. One noise proof plate and screws
3. One Quick Connect assembly
4. One faucet adapter with one thin washer and one thick washer



### NOISE PROOF PLATE INSTALLATION

The noise proof plate will help to muffle excessive noise from the appliance during agitation. Follow the steps below to install the noise proof plate.

1. Remove the noise proof plate from the packaging. It will be shipped on top of the appliance at the top of the box.
2. Insert the noise proof plate into the opening at the base of the appliance.
3. Lay the appliance on its back and secure the noise proof plate with the two screws provided.



# INSTALLATION INSTRUCTIONS

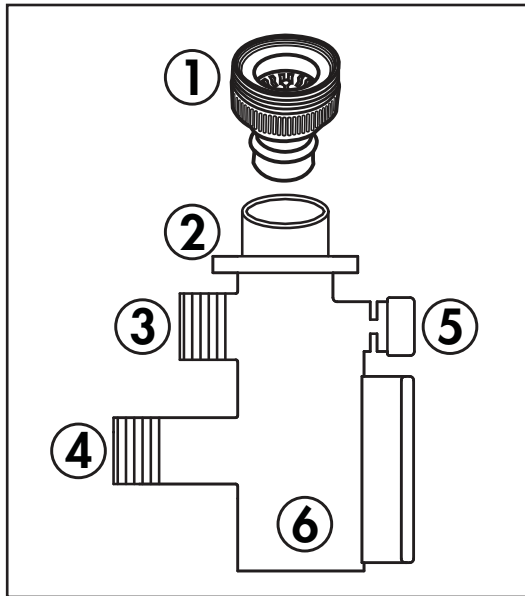
## WATER SUPPLY

Water can be supplied to the appliance in two different ways, either through the Quick Connect assembly or through direct hose connection, depending on what water hook ups are available to use. Water supply faucets must fit standard 3/4 inch (19.05 mm) female garden hose couplings. Do not use slip-on or clamp-on connections as the water pressure may cause them to leak.

## Using the Quick Connect Assembly

The Quick Connect assembly can be used to provide water to the appliance when only one faucet is available. For a single line installation, the Quick Connect should be connected to the cold water faucet and the inlet hose should be connected to the cold water inlet on the back of the appliance.

A breakdown of the Quick Connect assembly is below.

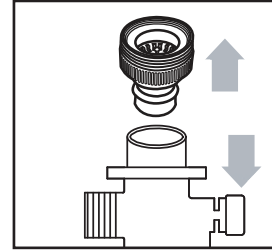


1. Faucet Adapter
2. Locking Collar
3. Inlet Hose Connection
4. Drain Hose Connection
5. Pressure Release Valve
6. Quick Connect Assembly

**Note:** The drain hose connection on the Quick Connect assembly is only for use with counter top dishwashers. When using the Quick Connect with a portable dishwasher or washing machine, leave the cap in place, this connection is not necessary.

## Connecting the Quick Connect Assembly to the Water Supply

Pull down on the locking collar and pull up on the faucet adapter to remove the adapter from the assembly.

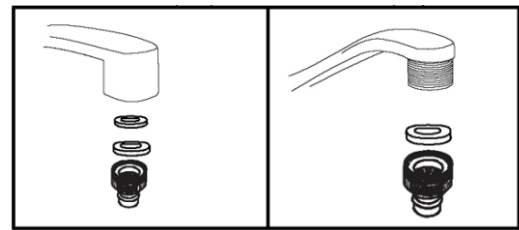


Remove the aerator from the faucet before attaching the faucet adapter.

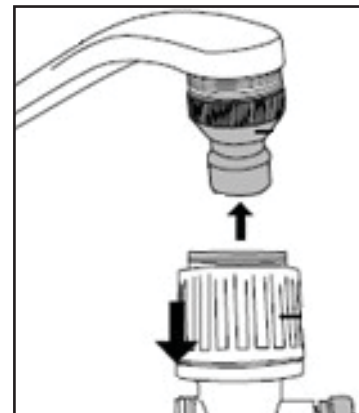
If the water supply faucet is female threaded, (left image below), use both the thick and thin washers in the connection.

If the water supply faucet is male threaded, (right image below), use the thick washer in the connection.

Turn on the faucet to check for leaks at the connection before continuing. If leaks are present, it may be necessary to wrap the faucet adapter or the faucet with Teflon tape before connecting the adapter to the faucet.

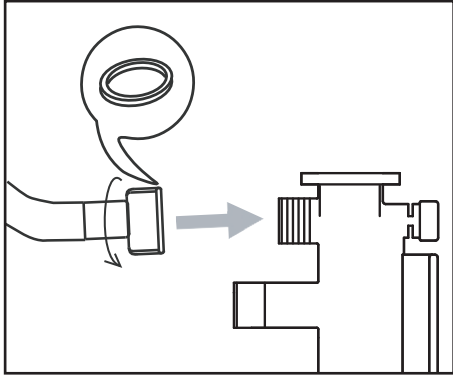


Pull down on the locking collar and push the Quick Connect assembly onto the bottom of the faucet adapter. Release the locking collar to attach the Quick Connect to the faucet.

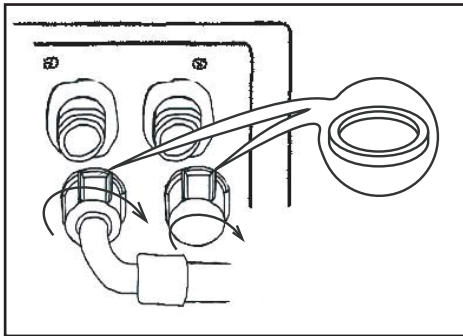


## INSTALLATION INSTRUCTIONS

Attach the water inlet hose to the inlet hose connection on the Quick Connect assembly by turning the connecting nut. Ensure that there is a rubber gasket in the connection to prevent leaks. Leave the cap in place on the lower drain hose connection on the Quick Connect assembly as it is not necessary for this appliance.



Attach the other end of the water inlet hose to the cold water connection on the back of the appliance. Leave the cap in place on the hot water connection and ensure that there is a rubber gasket in both connections to prevent leaks.

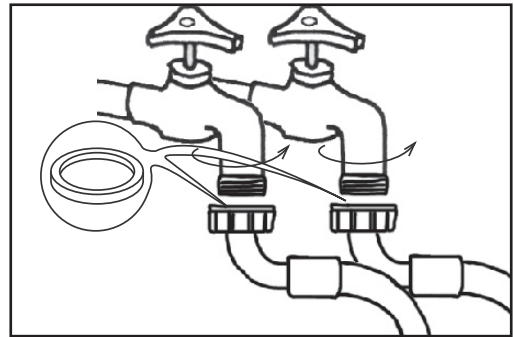


**Important:** After a wash program is complete, press the pressure release valve to release any water in the inlet hose before removing the Quick Connect from the faucet.

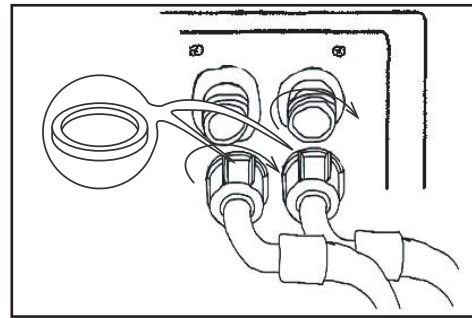
### Using a Direct Hose Connection

If there are both hot and cold water faucets available, this appliance can be directly connected to the water supply using the steps below.

Connect both provided inlet hoses to the hot and cold faucets. Ensure that there is a rubber gasket in both connections to avoid leaks.



Attach the other ends of the water inlet hoses to the hot and cold water connections on the back of the appliance. Ensure that the cold water faucet is connected to the cold water inlet and that the hot water faucet is connected to the hot water inlet and that there are rubber gaskets inside both connections to avoid leaks.



### DRAIN HOSE INSTALLATION

The drain hose will arrive pre-attached to the appliance. During operation of the appliance, the drain hose should be directed toward a sink or drain to catch the discarded water as it exits the appliance.

When running the drain hose to a drain, ensure that there are no bends in the hose as this can cause a blockage and impede the drain function.

The drain hose can be directed upward toward a sink or bucket but ensure that the hose does not rise more than 120 cm (47.3 in) from the ground as this can impact the drain function.

# OPERATING INSTRUCTIONS

## CONTROL PANEL

### 1. Water level button

- Press this button to choose the desired water level. The indicator light will illuminate the numbers between 1 and 5.

### 2. Water supply button

- Press this button to choose the desired water temperature. The indicator light will illuminate HOT, WARM or COLD.

### 3. Program/Delay button

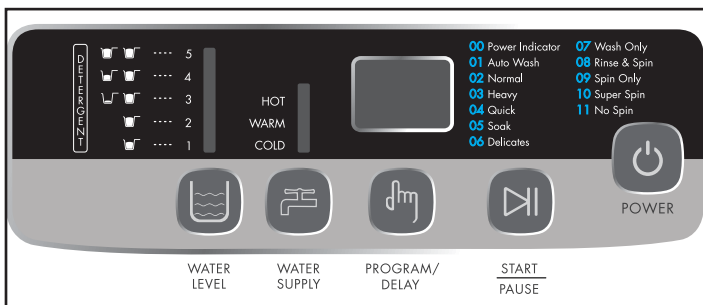
- Press this button to select the desired program.
- Use this button to set the desired delayed start time.

### 4. Start/Pause button

- Press this button to start a chosen program.
- Press this button during operation to pause a program.
- Press this button to restart a program that has been paused.

### 5. Power button

- Press this button to turn the appliance on or off.



## FUNCTION INSTRUCTION

Prior to starting the washing machine, check that:

- The drain hose is in the correct position.
- There are no leaks in the inlet hose when the faucet is turned on.
- The power cord is properly plugged into a three prong grounded outlet.
- That all coins and loose items have been removed from clothing.
- Place clothing into the washing machine and add the desired amount of detergent.

## DETERGENT

The amount of detergent required will vary based on the amount of laundry being added to the appliance.

Consult the below table for information on detergent amounts to use based on the chosen water level.

Water Level	Detergent (grams)
1	16-20
2	25-28
3	31-36
4	39-42
5	47-50

If using a fabric softener, it should be added to the program during the last rinse. Do not open the lid while the cycle is spinning or the softener will be introduced at the wrong time in the cycle.

Consult the table below for information on fabric softener amounts to use based on the chosen water level.

Water Level	Softener (Normal - Grams)	Softener (Concentrated - Grams)
1	14	5
2	20	7
3	25	10
4	30	13
5	36	16

## OPERATING INSTRUCTIONS

### PROGRAM SELECTION

Press the **Program/Delay** button repeatedly to choose the desired program.

Consult the table below for information on program times.

**Note:** Program times can vary based on the amount of clothing in the washing machine and the water pressure going into the inlet hose.

Program Code	Cycle Name	Max Cycle Duration
01	Auto Wash	43 minutes
02	Normal	33 minutes
03	Heavy	43 minutes
04	Quick	15 minutes
05	Soak	63 minutes
06	Delicate	43 minutes
07	Wash Only	14 minutes
08	Rinse and Spin	29 minutes
09	Spin Only	9 minutes
10	Super Spin	19 minutes
11	No Spin	32 minutes

- Press the **Water Level** button to choose the size of wash load that will be completed.
- Press the **Water Supply** button to choose the desired water temperature.
- Close the lid and press the **Start/Pause** button to begin the desired program.
- A program can be paused once it is in operation by pressing the **Start/Pause** button.
- If the load is unbalanced, and the safety switch is triggered during spinning, the machine will automatically refill with water to adjust the balance.
- The appliance will not operate if the lid is open.
- When a program is finished, an alarm will sound.
- To reduce the risk of electric shock and water leaking, disconnect the water inlet hose and the power cord when the appliance is not in use.

### DELAY FUNCTION

Choose a program by pressing the **Program/Delay** button. Press the **Start/Pause** button. The appliance will chime for 3 seconds. While the appliance is chiming, keep pressing the **Program/Delay** button until the desired delay time is displayed.

For example, to delay the program for 5 hours, press the **Program/Delay** button until the display shows "05."

### MUTE FUNCTION

To mute all sounds from the appliance, press the **Power** button and the display will show "00," press and hold the **Start/Pause** button for 1-2 seconds to activate the mute function. To deactivate the mute function, press the **Start/Pause** button.

### AUTOMATIC POWER OFF FUNCTION

If the washing machine is turned on and no program is selected within 10 minutes, the appliance will automatically power off to conserve energy.

Once a wash program is complete, a buzzer will sound six times to alert that the program is finished and the appliance will automatically power off to conserve energy.

## CARE & MAINTENANCE

### CLEANING

Before performing any cleaning or maintenance, ensure that the water inlet hose has been disconnected and that the power cord has been unplugged.

Clean the outside of the appliance with a warm, damp cloth. Avoid using detergents or chemicals as this can damage or discolor the cabinet.

### LINT FILTER

The lint filter should be cleaned after each program.

1. Remove the lint filter from the inner tub of the appliance.
2. Open the lint filter and remove any lint that has accumulated.
3. The lint filter can be rinsed under cold water to remove any lint build up. Do not use detergents or chemicals on the lint filter.
4. Ensure that the lint filter is replaced in the appliance before beginning a new program.

### WATER INLET

The water inlet may require periodic cleaning to remove debris or hard water build up.

1. Ensure the water inlet hose has been disconnected from the appliance.
2. Remove the filter screen from the inlet valve and remove any debris or hard water build up. The filter screen can be rinsed under cold water to remove any build up.
3. Ensure that the filter screen is replaced in the water inlet valve before reattached the water inlet hose.

### VINEGAR RINSE

A rinse of vinegar and water can be run through the washing machine to remove any stains on the inner tub or any lingering odors.

Place 1/2 cup of vinegar in the washing machine and choose the highest water level. Allow the appliance to run a full Wash & Rinse & Spin program with no laundry to remove stains and odors.

## TROUBLESHOOTING

**Danby Consumer Care: 1-800-263-2629**

### Hours of operation:

Monday to Thursday 8:30 am - 6:00 pm Eastern Standard Time

Friday 8:30 am - 4:00 pm Eastern Standard Time

Information in this manual is subject to change without notice.

PROBLEM	POSSIBLE CAUSE
Washer does not operate	<ul style="list-style-type: none"><li>• Not plugged in.</li><li>• The circuit breaker tripped or a blown fuse.</li><li>• The lid is not closed.</li><li>• The water source is not turned on.</li></ul>
No water or insufficient water supply	<ul style="list-style-type: none"><li>• The water source is not turned on.</li><li>• The water inlet hose is bent.</li><li>• The filter screen in the water inlet is clogged.</li></ul>
The washing machine does not drain	<ul style="list-style-type: none"><li>• The drain hose is bent.</li><li>• There is a problem with the drain pump.</li></ul>
Washing machine vibrates or is too noisy	<ul style="list-style-type: none"><li>• The washer is not level.</li><li>• The washing machine is touching another object.</li><li>• The laundry load is not balanced.</li></ul>
Washing machine does not spin	<ul style="list-style-type: none"><li>• The lid is not closed.</li><li>• The washer is not level.</li></ul>
Water filling and draining at the same time	<ul style="list-style-type: none"><li>• Ensure drain hose is elevated 0.7 mm to 1.2 mm off the floor; if the drain hose is too low it can cause water to siphon out of the appliance as it fills</li></ul>
Cabinet leaking from bottom	<ul style="list-style-type: none"><li>• Tub is overloaded</li><li>• Water level is too high for the amount of washing</li></ul>

## ERROR CODES

### E1 - No water flow

- Check that the water source is turned on.
- Check the water pressure.
- Check that the water inlet filter screen is clean.

### E2 - Lid is open

- Check that the lid is completely closed.

### E3 - Load is unbalanced

- Ensure that the laundry load is balanced.

### E4 - Appliance failed to fill with water

- Check that the water source is turned on.
- Check the water pressure.
- Check that the water inlet filter screen is clean.

### E0 - System error

- Disconnect both the water inlet hose and the power cord and call a service repair technician.

## E3 - SPIN CYCLE ADJUSTMENT

If the laundry load is uneven during the spin cycle, a safety feature will activate that will stop the spin program and revert back to a rinse. The tub will fill with water in an attempt to balance the load. Once the tub is balance, the spin cycle will resume.

This function will activate twice. If the load remains unbalanced, the appliance will stop functioning, an alarm will sound and the error code E3 will display on the control panel.

## LIMITED "IN HOME" WARRANTY

This quality product is warranted to be free from manufacturer's defects in material and workmanship, provided that the unit is used under the normal operating conditions intended by the manufacturer.

This warranty is available only to the person to whom the unit was originally sold by Danby Products Limited (Canada) or Danby Products Inc. (U.S.A.) (hereafter "Danby") or by an authorized distributor of Danby, and is non-transferable.

### TERMS OF WARRANTY

Plastic parts are warranted for thirty (30) days from the date of purchase, with no extensions provided.

**First 12 months** During the first **twelve (12) months**, any functional parts of this product found to be defective, will be repaired or replaced, at warrantor's option, at no charge to the original purchaser.

**To obtain service** Contact the dealer where the unit was purchased, or contact the nearest authorized Danby service depot, where service must be performed by a qualified service technician. If service is performed on the unit by anyone other than an authorized service depot, all obligations of Danby under this warranty shall be void.

**Boundaries of in-home service** Danby reserves the right to limit the boundaries of "In Home Service" to the proximity of an authorized service depot. Any appliance requiring service outside the limited boundaries of "In Home Service", will be the consumer's responsibility to transport at their own expense to the original point of purchase or a service depot for repair. If the appliance is installed in a location that is **100 kilometers (62 miles)** or more from the nearest service center, it must be delivered to the nearest authorized Danby Service Depot by the purchaser.

Transportation charges to and from the service location are not protected by this warranty and are the responsibility of the purchaser.

Nothing within this warranty shall imply that Danby will be responsible or liable for any spoilage or damage to food or other contents of this appliance, whether due to any defect of the appliance, or its use, whether proper or improper.

### EXCLUSIONS

Save as herein provided, by Danby, there are no other warranties, conditions, representations or guarantees, express or implied, made or intended by Danby or its authorized distributors and all other warranties, conditions, representations or guarantees, including any warranties, conditions, representations or guarantees under any Sale of Goods Act or like legislation or statute is hereby expressly excluded. Save as herein provided, **Danby shall not be responsible for any damages to persons or property, including the unit itself, howsoever caused or any consequential damages arising from the malfunction of the unit and by the purchase of the unit, the purchaser does hereby agree to indemnify and hold harmless Danby from any claim for damages to persons or property caused by the unit.**

### GENERAL PROVISIONS

No warranty or insurance herein contained or set out shall apply when damage or repair is caused by any of the following:

- 1) Power failure.
- 2) Damage in transit or when moving the appliance.
- 3) Improper power supply such as low voltage, defective house wiring or inadequate fuses.
- 4) Accident, alteration, abuse or misuse of the appliance such as inadequate air circulation in the room or abnormal operating conditions (ie. extremely high or low room temperature).
- 5) Use for commercial or industrial purposes (ie. If the appliance is not installed in a domestic residence).
- 6) Fire, water damage, theft, war, riot, hostility, acts of God such as hurricanes, floods etc.
- 7) Service calls resulting in customer education.
- 8) Improper Installation (ie. Building-in of a free standing appliance or using an appliance outdoors that is not approved for outdoor application, including but not limited to: garages, patios, porches or anywhere that is not properly insulated or climate controlled).

Proof of purchase date will be required for warranty claims; retain bills of sale. In the event that warranty service is required, present the proof of purchase to our authorized service depot.

**Warranty Service  
In Home**

Danby Products Limited  
PO Box 1778, Guelph, Ontario, Canada N1H 6Z9  
Telephone: (519) 837-0920 FAX: (519) 837-0449

**1-800-263-2629  
04/17**

Danby Products Inc.  
PO Box 669, Findlay, Ohio, U.S.A. 45840  
Telephone: (419) 425-8627 FAX: (419) 425-8629

# Bienvenue

Bienvenue à la famille Danby. Nous sommes fiers de la qualité de nos produits et nous croyons en le service fiable. Nous vous suggérons de lire ce manuel d'utilisation avant de brancher votre nouvel appareil car il contient des informations importantes sur l'utilisation, la sécurité, le dépannage et la maintenance, afin d'assurer la fiabilité et la longévité de votre appareil.

Visitez [www.Danby.com](http://www.Danby.com) pour accéder aux outils d'autoservice, aux FAQ et bien plus encore. Pour obtenir de l'aide supplémentaire, composez **1-800-263-2629**.

**Notez les informations ci-dessous; Vous aurez besoin de cette information pour obtenir un service sous garantie.**  
**Vous devez fournir le reçu d'achat original pour valider votre garantie et recevoir le service.**

**Numéro de modèle:** \_\_\_\_\_

**Numéro de serie:** \_\_\_\_\_

**Date d'achat:** \_\_\_\_\_

## Besoin d'assistance?

Avant d'appeler pour service, voici quelques choses que vous pouvez faire pour nous aider à mieux vous servir.

### **Lire ce manuel du propriétaire:**

Il contient des instructions pour vous aider à utiliser et à maintenir votre appareil correctement.

### **Si vous recevez un appareil endommagé:**

Contactez immédiatement le revendeur ou l'entrepreneur qui vous a vendu l'appareil.

### **Gagnez du temps et de l'argent:**

Avant d'appeler pour service, consultez la section de dépannage à la fin de ce manuel. Cette section vous aidera à résoudre les problèmes courants pouvant survenir.



1-800-26- Danby  
(1-800-263-2629)



## Consignes de sécurité importantes

### LIRE ET SUIVRE TOUTES LES INSTRUCTIONS DE SÉCURITÉ

#### CONSIGNES DE SÉCURITÉ

**ATTENTION:** Pour réduire le risque d'incendie, d'électrocution ou de blessures lors de l'utilisation de cet appareil, suivez les consignes de sécurité de base, y compris les suivantes:

- Ne lavez pas les produits préalablement nettoyés, lavés, imprégnés d'essence, de solvants pour le nettoyage à sec ou d'autres substances inflammables ou explosives, car ils éliminent les vapeurs qui pourraient s'enflammer ou exploser.
- Ne pas ajouter de l'essence, des solvants de nettoyage à sec ou d'autres substances inflammables ou explosives à l'eau de lavage. Ces substances rejettent les vapeurs qui pourraient s'enflammer ou exploser.
- Sous certaines conditions, un gaz hydrogène peut être produit dans un système d'eau chaude qui n'a pas été utilisé pendant 2 semaines ou plus. **LE GAZ À L'HYDROGÈNE EST EXPLOSIF.** Si le système d'eau chaude n'a pas été utilisé pendant une telle période, allumez tous les robinets à eau chaude et laissez l'eau s'écouler pendant plusieurs minutes avant d'utiliser la machine à laver. Cela libérera tout gaz hydrogène accumulé. Ne pas fumer ou utiliser une flamme nue pendant ce processus.
- Ne placez pas dans l'appareil si la baignoire ou l'agitateur bouge.
- Ne pas installer ou stocker cet appareil là où il sera exposé aux intempéries.
- Ne manipulez pas les commandes.
- Ne réparez pas ou ne remplacez aucune partie de l'appareil ou ne tentez pas d'entretien, à moins d'être spécifiquement recommandé dans les instructions d'entretien de l'utilisateur ou dans les instructions de réparation d'utilisateur publiées que vous comprenez et possédez les compétences à effectuer.
- Ne faites pas fonctionner l'appareil lorsque la pression de l'eau est inférieure à 7 PSI ou supérieure à 0,5 MPa pour éviter d'endommager le système d'entrée.

Cet appareil n'est pas destiné à être utilisé par des personnes (y compris des enfants) dont les capacités physiques, sensorielles ou mentales peuvent être différentes ou réduites, ou qui ont de l'expérience ou des connaissances, à moins que ces personnes ne soient surveillées ou formées pour faire fonctionner l'appareil par une personne responsable de leur sécurité.

#### INSTRUCTIONS DE MISE À LA TERRE

Cet appareil doit être mis à la terre. La mise à la terre réduit le risque de choc électrique en fournissant un fil d'échappement pour le courant électrique.

Cet appareil dispose d'un cordon doté d'un fil de mise à la terre avec une fiche à 3 broches. Le cordon d'alimentation doit être branché sur une prise correctement mise à la terre. Si la sortie est une prise murale à 2 broches, elle doit être remplacée par une prise murale à 3 broches correctement mise à la terre. La plaque signalétique en série indique la tension et la fréquence auxquelles l'appareil est conçu.

**ATTENTION** - Une utilisation incorrecte de la fiche de mise à la terre peut entraîner un risque de choc électrique. Consultez un électricien qualifié ou un agent de service si les instructions de mise à la terre ne sont pas complètement comprises, ou s'il existe un doute quant à savoir si l'appareil est correctement mis à la terre.

**Ne connectez pas votre appareil aux rallonges ou avec un autre appareil dans la même prise murale.** Ne pas épisser le cordon d'alimentation. En aucun cas, couper ou retirer la troisième broche du cordon d'alimentation. N'utilisez pas de cordons de prolongement ou d'adaptateurs sans mise à la terre (deux broches).

Si le cordon d'alimentation est endommagé, il doit être remplacé par le fabricant, son agent de service ou une personne qualifiée similaire afin d'éviter tout risque.

Toute question concernant l'alimentation électrique ou la mise à la terre devrait être dirigée vers un électricien agréé.

**DANGER:** Risque de piégeage des enfants. Les enfants doivent être surveillés autour de cet appareil. Assurez-vous que le couvercle est retiré avant de jeter cet appareil.

**GARDEZ CES INSTRUCTIONS!**

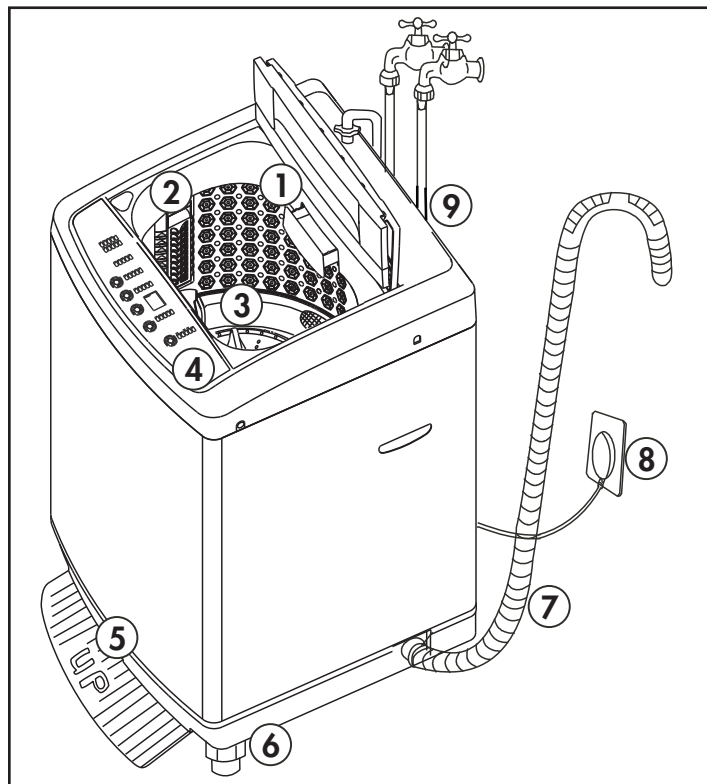
# INSTRUCTIONS D'INSTALLATION

## EMPLACEMENT

- Deux personnes devraient être utilisées lors du déplacement de l'appareil.
- Retirer les emballages intérieurs et extérieurs avant l'installation. Retirez l'entretoise d'expédition et enregistrez-le pour éviter d'endommager les composants de la lave-vaisselle chaque fois que le rondelle est déplacé ou transporté vers un nouvel emplacement. L'entretoise d'expédition est une petite entretoise en plastique qui adhère à l'emballage de styromousse.
- Essuyez l'extérieur de l'appareil avec un chiffon doux et sec et à l'intérieur avec un chiffon humide tiède. Ne pas vaporiser l'appareil avec de l'eau.
- Placez l'appareil sur un plancher qui est assez solide pour le supporter lorsqu'il est complètement chargé, dans une pièce qui a un accès pratique à l'alimentation en eau et au drain, a une faible humidité et humidité et ne gèle pas en hiver.
- Ne placez pas l'appareil sur le revêtement de sol tapissé car cela peut bloquer les ouvertures de ventilation inférieures.
- Gardez l'appareil à l'écart des sources de chaleur et hors de la lumière directe du soleil. Une chaleur excessive ou une lumière du soleil peut déformer ou décolorer l'appareil.
- Cet appareil est destiné à une utilisation domestique uniquement. Il n'est pas conçu pour une installation à l'extérieur, y compris n'importe où qui n'est pas contrôlé par la température (garages, porches, véhicules, etc.).
- Cet appareil a une largeur de 54,5 cm (21,5 pouces) par 95 cm (37,4 pouces) de hauteur par 55 cm (21,7 pouces) de profondeur. Assurez-vous que vous laissez l'espace minimum entre l'appareil et tous les murs environnants et les événements.
- Laisser 12,7 cm (5 pouces) d'espace entre le dos, les côtés et le haut de l'appareil et tous les murs adjacents.
- Cet appareil est destiné à une installation autonome uniquement et ne doit pas être intégré dans une armoire ou un compteur. La construction de cet appareil peut provoquer un dysfonctionnement.
- Ne pas utiliser d'eau trop chaude dans l'appareil, à 50°C (122°F) ou plus. Les pièces et les vêtements en plastique peuvent être déformés ou endommagés.

## CARACTÉRISTIQUES

1. Compartiment de détergent
2. Ensemble de filtre
3. Pulsateur
4. Panneau de contrôle
5. Plaque anti-bruit
6. Pied réglable
7. Tuyau de drainage
8. Cordon d'alimentation
9. Tuyaux d'admission



## INSTRUCTIONS DE NIVEAU

Il est important que l'appareil soit à niveau pour éviter les charges déséquilibrées et le bruit excessif.

1. Tournez le pied de nivellement dans le sens inverse des aiguilles d'une montre jusqu'à ce que le haut du pied touche le bas de l'armoire.
- 2.
3. Tournez lentement le pied de nivellement dans le sens des aiguilles d'une montre jusqu'à ce que l'appareil soit au niveau.

**Remarque:** Cet appareil comprend un pied réglable à l'avant, trois pieds solides et deux rouleaux à l'arrière pour faciliter le déplacement de l'appareil d'un endroit à l'autre.

## INSTRUCTIONS D'INSTALLATION

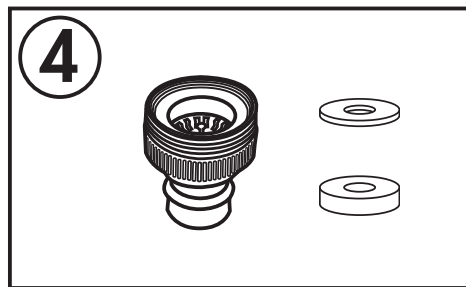
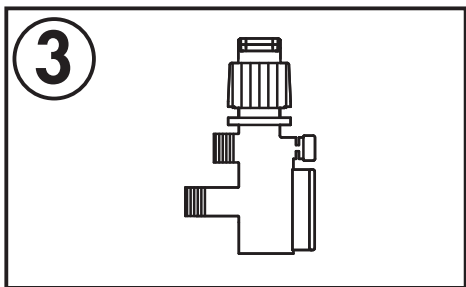
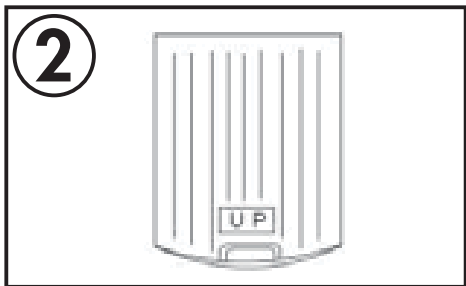
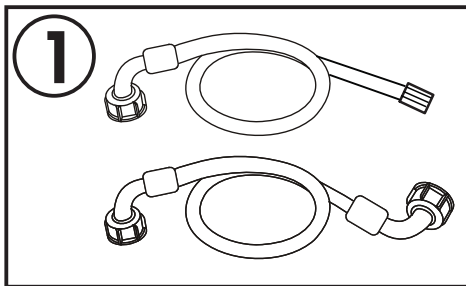
### ACCESSOIRES ET PRÉPARATION

Vous aurez besoin des outils suivants pour installer la rondelle:

- Clé
- Pinces
- Tournevis

Assurez-vous que tous les accessoires fournis sont présents et comptabilisés:

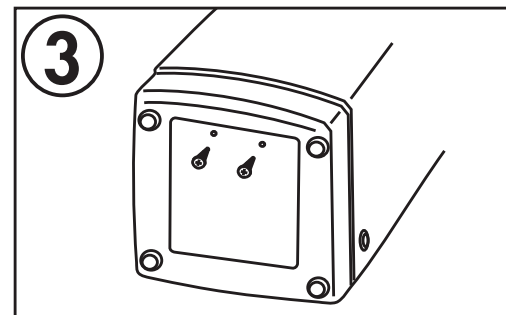
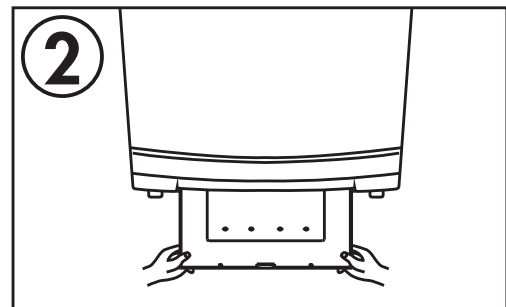
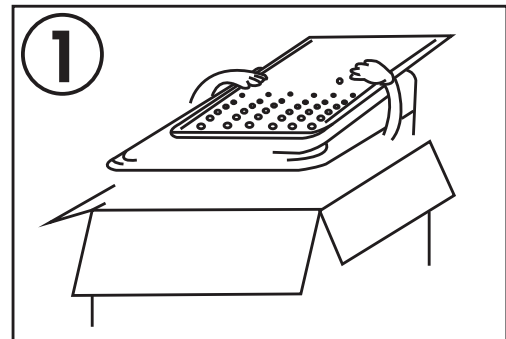
1. Deux tuyaux d'entrée
2. Une plaque anti-bruit et des vis
3. Un assemblage Quick Connect
4. Un adaptateur à robinet avec une rondelle mince et une rondelle épaisse



### INSTALLATION DE LA PLAQUE DE PRISE DE BRUIT

La plaque anti-bruit aidera à étouffer le bruit excessif de l'appareil pendant l'agitation. Suivez les étapes ci-dessous pour installer la plaque anti-bruit.

1. Retirez la plaque anti-bruit de l'emballage. Il sera expédié au dessus de l'appareil en haut de la boîte.
2. Insérez la plaque anti-bruit dans l'ouverture à la base de l'appareil.
3. Posez l'appareil sur son dos et fixez la plaque anti-bruit avec les deux vis fournies.



## INSTRUCTIONS D'UTILISATION

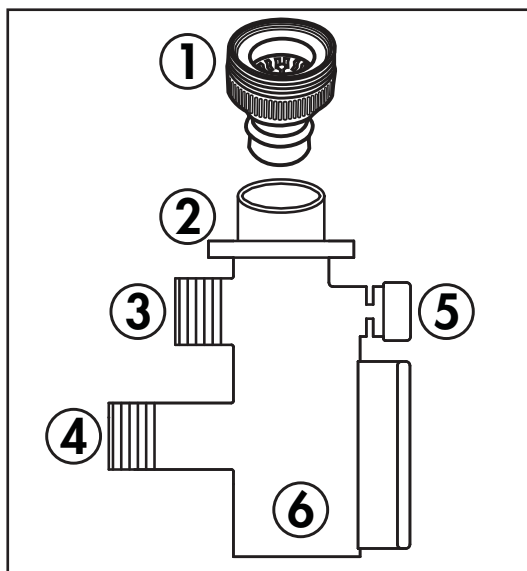
### APPROVISIONNEMENT EN EAU

L'eau peut être fournie à l'appareil de deux façons différentes, soit par le biais de l'assemblage Quick Connect, soit par le biais d'un raccord direct du tuyau, en fonction des raccords d'eau disponibles. Les robinets d'alimentation en eau doivent être équipés d'accouplements de tuyaux d'arrosage standard de 3/4 pouces (19,05 mm). N'utilisez pas de branchements ou de serrage, car la pression de l'eau peut provoquer une fuite.

### Utilisation de l'assemblage connexion rapide

L'assemblage connexion rapide peut être utilisé pour fournir de l'eau à l'appareil quand un seul robinet est disponible. Pour une installation en une seule ligne, la connexion rapide doit être connectée au robinet d'eau froide et le tuyau d'entrée doit être raccordé à l'entrée d'eau froide à l'arrière de l'appareil.

Une ventilation de l'assemblage connexion rapide est indiquée ci-dessous.

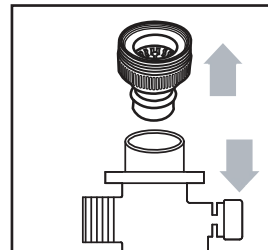


1. Adaptateur de robinet
2. Collier de verrouillage
3. Raccordement du tuyau d'admission
4. Raccordement du tuyau de vidange
5. Valve de libération de pression
6. Assemblée Quick Connect

**Remarque:** La connexion du tuyau de vidange sur l'ensemble connexion rapide n'est utilisée qu'avec des lave-vaisselle comptoir. Lorsque vous utilisez le connexion rapide avec un lave-vaisselle portable ou une machine à laver, laissez le capuchon en place, cette connexion n'est pas nécessaire.

### Raccordement de l'assemblage à connexion rapide à l'alimentation en eau

Abaissez le collier de verrouillage et tirez sur l'adaptateur du robinet pour retirer l'adaptateur de l'ensemble.

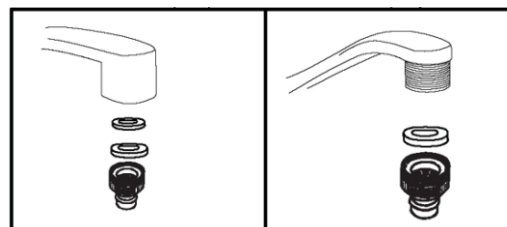


Retirez l'aérateur du robinet avant de fixer l'adaptateur du robinet.

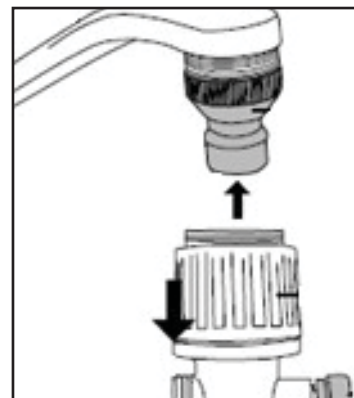
Si le robinet d'alimentation en eau est fileté femelle (image gauche ci-dessous), utilisez à la fois les rondelles épaisses et minces dans la connexion.

Si le robinet d'alimentation en eau est fileté mâle, (image droite ci-dessous), utilisez la rondelle épaisse dans la connexion.

Allumez le robinet pour vérifier s'il y a des fuites lors de la connexion avant de continuer. Si des fuites sont présentes, il peut être nécessaire d'enrouler l'adaptateur de robinet ou le robinet avec du ruban en téflon avant de connecter l'adaptateur au robinet.

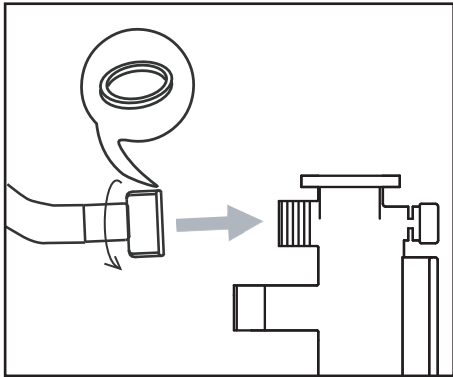


Abaissez le collier de verrouillage et poussez l'assemblage connexion rapide sur le bas de l'adaptateur du robinet. Relâchez le collier de verrouillage pour attacher la connexion rapide au robinet.

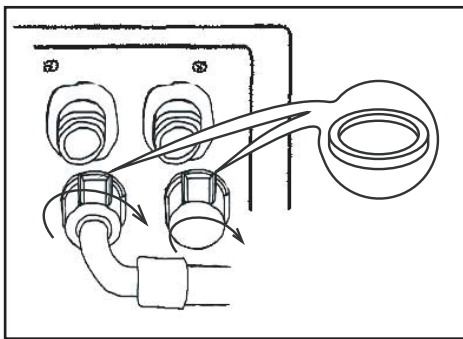


## INSTRUCTIONS D'UTILISATION

Fixez le tuyau d'entrée d'eau au raccord du tuyau d'admission sur l'ensemble connexion rapide en tournant l'écrou de raccordement. Assurez-vous qu'il y a un joint en caoutchouc dans la connexion pour éviter les fuites. Laissez le capuchon en place sur le raccord de tuyau de vidange inférieur sur l'ensemble connexion rapide car il n'est pas nécessaire pour cet appareil.



Fixez l'autre extrémité du tuyau d'entrée d'eau au raccord d'eau froide à l'arrière de l'appareil. Laissez le capuchon en place sur le raccord d'eau chaude et assurez-vous qu'il y a un joint en caoutchouc dans les deux connexions pour éviter les fuites.

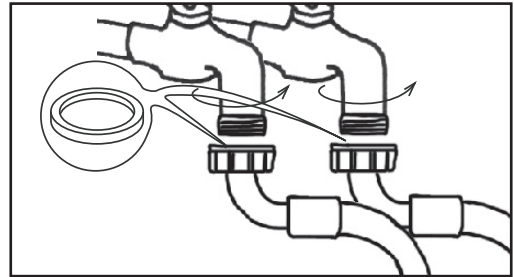


**Important:** Une fois le programme de lavage terminé, appuyez sur la soupape de dégagement de pression pour libérer de l'eau dans le tuyau d'admission avant de retirer la connexion rapide du robinet.

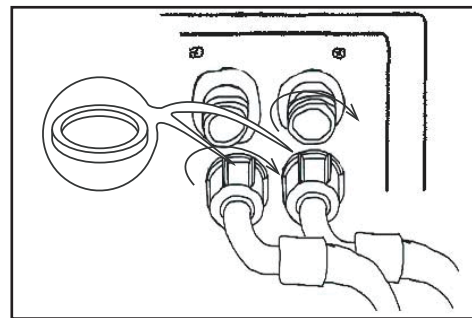
### Utilisation d'une connexion de tuyau direct

S'il existe des robinets à eau chaude et froide, cet appareil peut être directement connecté à l'alimentation en eau en utilisant les étapes ci-dessous.

Connectez les deux tuyaux d'entrée fournis aux robinets chauds et froids. Assurez-vous qu'il y a un joint en caoutchouc dans les deux connexions pour éviter les fuites.



Fixez les autres extrémités des tuyaux d'entrée d'eau aux raccords d'eau chaude et froide à l'arrière de l'appareil. Assurez-vous que le robinet d'eau froide est relié à l'entrée d'eau froide et que le robinet d'eau chaude est connecté à l'entrée d'eau chaude et qu'il existe des joints en caoutchouc à l'intérieur des deux connexions pour éviter les fuites.



### INSTALLATION DU TUYAU DE DRAIN

Le tuyau de vidange arrivera pré-attaché à l'appareil. Pendant le fonctionnement de l'appareil, le tuyau de vidange doit être dirigé vers un évier ou un drain pour attraper l'eau rejetée à mesure qu'il sort de l'appareil.

Lorsque vous exécutez le tuyau de vidange sur un drain, assurez-vous qu'il n'y a pas de virages dans le tuyau car cela peut provoquer un blocage et entraver la fonction de vidange.

Le tuyau de vidange peut être dirigé vers le haut vers un évier ou un seau, mais assurez-vous que le tuyau ne monte pas plus de 120 cm (47,3 po) du sol, car cela peut affecter la fonction de vidange.

# INSTRUCTIONS D'UTILISATION

## PANNEAU DE CONTRÔLE

### 1. Bouton de niveau d'eau et voyants lumineux

- Appuyez sur ce bouton pour choisir le niveau d'eau désiré. Le témoin lumineux allume les nombres entre 1 et 5.

### 2. Bouton d'alimentation en l'eau

- Appuyez sur cette touche pour choisir la température souhaitée. Le témoin s'allume HOT, WARM ou COLD.

### 3. Bouton programme/retard

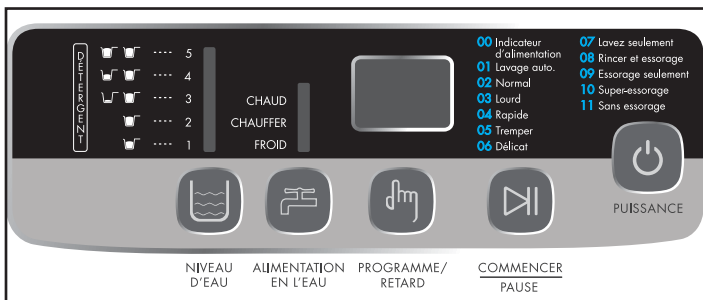
- Appuyez sur ce bouton pour sélectionner le programme souhaité.
- Utilisez ce bouton pour régler l'heure de début différée souhaitée.

### 4. Bouton commencer/pause

- Appuyez sur ce bouton pour démarrer un programme choisi.
- Appuyez sur ce bouton pendant le fonctionnement pour mettre en pause un programme.
- Appuyez sur ce bouton pour redémarrer un programme qui a été interrompu.

### 5. Bouton de puissance

- Appuyez sur cette touche pour allumer ou éteindre l'appareil.



## INSTRUCTION DE FONCTION

Avant de démarrer la machine à laver, vérifiez que:

- Le tuyau de vidange est dans la bonne position.
- Il n'y a pas de fuites dans le tuyau d'admission lorsque le robinet est allumé.
- Le cordon d'alimentation est correctement branché sur une prise de terre à trois broches.
- Que toutes les pièces et objets en vrac ont été enlevés des vêtements.
- Placez les vêtements dans la machine à laver et ajoutez la quantité désirée de détergent.

## DÉTERGENT

La quantité de détergent nécessaire variera en fonction de la quantité de linge ajoutée à l'appareil.

Consultez le tableau ci-dessous pour obtenir des informations sur les quantités de détergents à utiliser en fonction du niveau d'eau choisi.

Niveau d'eau	Détergent (grammes)
1	16-20
2	25-28
3	31-36
4	39-42
5	47-50

Si vous utilisez un adoucissant, il faut ajouter au programme lors du dernier rinçage. N'ouvrez pas le couvercle pendant que le cycle tourne ou que l'adoucissant sera introduit au mauvais moment du cycle.

Consultez le tableau ci-dessous pour obtenir des informations sur les quantités d'adoucisseur de tissus à utiliser en fonction du niveau d'eau choisi.

Niveau d'eau	Adoucisseur (normal - grammes)	Adoucisseur (concentré - grammes)
1	14	5
2	20	7
3	25	10
4	30	13
5	36	16

## INSTRUCTIONS D'UTILISATION

### SÉLECTION DU PROGRAMME

Appuyez plusieurs fois sur le bouton **programme/retard** pour choisir le programme désiré.

Consultez le tableau ci-dessous pour obtenir des informations sur les horaires des programmes.

**Remarque:** Les temps de programmation peuvent varier en fonction de la quantité de vêtements dans la machine à laver et de la pression de l'eau dans le tuyau d'entrée.

Code de programme	Nom du cycle	Max durée du cycle
01	Lavage auto	43 minutes
02	Normal	33 minutes
03	Lourd	43 minutes
04	Rapide	15 minutes
05	Tremper	63 minutes
06	Délicat	43 minutes
07	Lavez seulement	14 minutes
08	Rincer et essorage	29 minutes
09	Essorage seulement	9 minutes
10	Super-essorage	19 minutes
11	Sans essorage	32 minutes

- Appuyez sur le bouton **niveau d'eau** pour choisir la taille de la charge de lavage qui sera complétée.
- Appuyez sur le bouton **d'alimentation en l'eau** pour choisir la température souhaitée.
- Fermez le couvercle et appuyez sur le bouton **commencer/pause** pour commencer le programme souhaité.
- Un programme peut être interrompu une fois qu'il est en fonctionnement en appuyant sur le bouton **commencer/pause**.
- Si la charge est déséquilibrée et que l'interrupteur de sécurité est déclenché lors de la rotation, la machine se recharge automatiquement avec de l'eau pour ajuster la balance.
- L'appareil ne fonctionnera pas si le couvercle est ouvert.
- Lorsqu'un programme est terminé, une alarme retentit.
- Pour réduire le risque de choc électrique et de fuite d'eau, débranchez le tuyau d'entrée d'eau et le cordon d'alimentation lorsque l'appareil n'est pas utilisé.

### FONCTION RETARD

Choisissez un programme en appuyant sur le bouton **programme/retard**. Appuyez sur le bouton **commencer/pause**. L'appareil retentira pendant 3 secondes. Pendant que l'appareil sonne, continuez à appuyer sur le bouton **programme/retard** jusqu'à ce que le délai souhaité s'affiche.

Par exemple, pour retarder le programme pendant 5 heures, appuyez sur le bouton **programme/retard** jusqu'à ce que l'affichage indique "05."

### FONCTION MUTE

Pour désactiver tous les sons de l'appareil, appuyez sur le bouton de **puissance** et l'écran affiche "00", maintenez enfoncée la touche **commencer/pause** pendant 1 seconde pour activer la fonction mute. Pour désactiver la fonction mute, appuyez sur le bouton **commencer/pause**.

### FONCTION DE DÉMARRAGE AUTOMATIQUE

Si le lave-linge est allumé et aucun programme n'est sélectionné dans les 10 minutes, l'appareil s'éteint automatiquement pour économiser de l'énergie.

Une fois qu'un programme de lavage est terminé, un buzzer sonne six fois pour avertir que le programme est terminé et que l'appareil s'éteint automatiquement pour conserver l'énergie.

### NETTOYAGE

Avant d'effectuer tout nettoyage ou maintenance, assurez-vous que le tuyau d'entrée d'eau a été débranché et que le cordon d'alimentation a été débranché.

Nettoyez l'extérieur de l'appareil avec un chiffon chaud et humide. Évitez d'utiliser des détergents ou des produits chimiques car cela peut endommager ou décolorer l'armoire.

### FILTRE À PELUCHES

Le filtre à peluches doit être nettoyé après chaque programme.

1. Retirez le filtre à peluches de la baignoire intérieure de l'appareil.
2. Ouvrez le filtre à peluches et enlevez les peluches accumulées.
3. Le filtre à peluches peut être rincé sous l'eau froide pour éliminer toute accumulation de peluches. N'utilisez pas de détergents ou de produits chimiques sur le filtre à peluches.
4. Assurez-vous que le filtre à peluches est remplacé dans l'appareil avant de commencer un nouveau programme.

### ARRIVÉE D'EAU

L'entrée d'eau peut nécessiter un nettoyage périodique pour éliminer les débris ou l'accumulation d'eau dure.

1. Assurez-vous que le tuyau d'entrée d'eau a été débranché de l'appareil.
2. Retirez l'écran du filtre de la soupape d'admission et évacuez tout débris ou accumulation d'eau dure. L'écran du filtre peut être rincé sous l'eau froide pour éliminer toute accumulation.
3. Assurez-vous que l'écran du filtre est remplacé dans la soupape d'entrée d'eau avant de rattacher le tuyau d'entrée d'eau.

### VINAIGRE RINÇAGE

Un rinçage de vinaigre et d'eau peut courir à travers la machine à laver pour éliminer les taches sur la baignoire intérieure ou toute odeur persistante.

Placez 1/2 tasse de vinaigre dans la machine à laver et choisissez le niveau d'eau le plus élevé. Laissez l'appareil exécuter un programme complet de lavage et rinçage et de lavage sans lessive pour éliminer les taches et les odeurs.

## DÉPANNAGE

Danby soins du consommateur: 1-800-263-2629

### Heures d'ouverture:

Lundi à Jeudi 8 h 30 à 18 h, heure normale de l'Est  
Vendredi de 8 h 30 à 16 h, heure normale de l'Est

Les informations contenues dans ce manuel sont sujettes à modification sans préavis.

PROBLÈME	CAUSE POSSIBLE
La laveuse ne fonctionne pas	<ul style="list-style-type: none"><li>• Pas branché.</li><li>• Le disjoncteur a déclenché ou un fusible soufflé.</li><li>• Le couvercle n'est pas fermé.</li><li>• La source d'eau n'est pas allumée.</li></ul>
Pas d'eau ni d'approvisionnement insuffisant en eau	<ul style="list-style-type: none"><li>• La source d'eau n'est pas allumée.</li><li>• Le tuyau d'entrée d'eau est plié.</li><li>• L'écran du filtre à l'entrée d'eau est bouché.</li></ul>
La machine à laver ne draine pas	<ul style="list-style-type: none"><li>• Le tuyau de vidange est plié.</li><li>• Il y a un problème avec la pompe de vidange.</li></ul>
La machine à laver vibre ou est trop bruyante	<ul style="list-style-type: none"><li>• La laveuse n'est pas au niveau.</li><li>• La machine à laver touche un autre objet.</li><li>• La charge de la lessive n'est pas équilibrée.</li></ul>
La machine à laver ne tourne pas	<ul style="list-style-type: none"><li>• Le couvercle n'est pas fermé.</li><li>• La laveuse n'est pas au niveau.</li></ul>
Remplissage et vidange d'eau en même temps	<ul style="list-style-type: none"><li>• Assurez-vous que le tuyau de vidange est élevé de 0,7 mm à 1,2 mm du sol; Si le tuyau de vidange est trop bas, il peut provoquer l'évacuation de l'eau de l'appareil car il remplit</li></ul>
Cabinet qui fuit du fond	<ul style="list-style-type: none"><li>• La baignoire est surchargée</li><li>• Le niveau d'eau est trop élevé pour la quantité de lavage</li></ul>

## CODES D'ERREUR

### E1 - Pas de débit d'eau

- Vérifiez que la source d'eau est allumée.
- Vérifiez la pression de l'eau.
- Vérifiez que l'écran du filtre d'entrée d'eau est propre.

### E2 - Le couvercle est ouvert

- Vérifiez que le couvercle est complètement fermé.

### E3 - La charge est déséquilibrée

- Assurez-vous que la charge de linge est équilibrée.

### E4 - Appareil n'a pas réussi à remplir d'eau

- Vérifiez que la source d'eau est allumée.
- Vérifiez la pression de l'eau.
- Vérifiez que l'écran du filtre d'entrée d'eau est propre.

### E0 - Erreur système

- Débranchez le tuyau d'arrivée d'eau et le cordon d'alimentation et appelez un technicien de réparation de service.

## E3 - AJUSTEMENT DU CYCLE ESSORAGE

Si la charge de la lessive est inégale pendant le cycle d'essorage, une fonction de sécurité s'active pour arrêter le programme de rotation et revenir à un rinçage. La baignoire se remplira d'eau pour tenter d'équilibrer la charge. Une fois que le bain est équilibré, le cycle d'essorage reprendra.

Cette fonction s'active deux fois. Si la charge reste déséquilibrée, l'appareil cesse de fonctionner, une alarme retentit et le code d'erreur E3 s'affiche sur le panneau de commande.

## GARANTIE LIMITÉE "À DOMICILE"

Cet appareil de qualité est garanti exempt de tout vice de matière première et de fabrication, s'il est utilisé dans les conditions normales recommandées par le fabricant.

Cette garantie n'est offerte qu'à l'acheteur initial de l'appareil vendu par Danby Products Limited (Canada) ou Danby Products Inc. (E.-U.A.) (ci-après « Danby ») ou par l'un des ses distributeurs agréés et elle ne peut être transférée.

### CONDITIONS

Les pièces en plastique sont garanties pendant trente (30) jours seulement à partir de la date de l'achat, sans aucune prolongation prévue.

**Premiers 12 mois** Pendant les premiers **douze (12) mois**, toutes les pièces fonctionnelles de ce produit qui s'avèrent défectueuses seront réparées ou remplacées, selon le choix du garant, sans frais à l'acheteur initial.

**Pour bénéficiaire du service** S'adresser au détaillant qui a vendu l'appareil, ou à la station technique agréée de service la plus proche, où les réparations doivent être effectuées par un technicien qualifié. Si les réparations sont effectuées par quiconque autre que la station de service agréée ou à des fins commerciales, toutes les obligations de Danby en vertu de cette garantie seront annulées.

**Limites de l'entretien à domicile** Danby se réserve le droit de limiter les limites de "Service au domicile" à proximité d'un dépôt de service agréé. Tout appareil nécessitant un service en dehors des limites de "Service à domicile" sera la responsabilité du consommateur de transporter l'appareil à leur propres frais le point d'achat original ou un dépôt de service pour réparation. Si l'appareil est installé à plus de **100 kilomètres (62 milles)** du centre de service le plus proche, il doit être livré à l'atelier de réparation autorisé par Danby le plus proche, car l'entretien doit uniquement être réalisé par un technicien qualifié et certifié pour effectuer un entretien couvert par la garantie de Danby.

Les frais de transport entre votre domicile et le lieu de l'entretien ne sont pas couverts par la présente garantie et doivent être acquittés par l'acheteur.

Aucune partie de la garantie ne prévoit implicitement que le fabricant sera tenu responsable des dommages subis par les aliments ou d'autres types de contenu, qu'ils soient causés par la défectuosité de l'appareil ou par son usage adéquat ou inadéquat.

### EXCLUSIONS

En vertu de la présente, il n'existe aucune autre garantie, condition ou représentation, qu'elle soit exprimée ou tacite, de façon manifeste ou intentionnelle, par Danby ou ses distributeurs agréés. De même, sont exclues toutes les autres garanties, conditions ou représentations, y compris les garanties, conditions ou représentations en vertu de toute loi régissant la vente de produits ou de toute autre législation ou règlement semblables. En vertu de la présente, Danby ne peut être tenue responsable en cas de blessures corporelles ou des dégâts matériels, y compris à l'appareil, quelle qu'en soit la cause. Danby ne peut pas être tenue responsable des dommages indirects dus au fonctionnement défectueux de l'appareil. En achetant l'appareil, l'acheteur accepte de mettre à couvert et de dégager Danby de toute responsabilité en cas de réclamation pour toute blessure corporelle ou tout dégât matériel causé par cet appareil.

### CONDITIONS GÉNÉRALES

La garantie ou assurance ci-dessus ne s'applique pas si les dégâts ou réparations sont dus aux cas suivants:

- 1) Panne de courant.
- 2) Dommages subis pendant le transport ou le déplacement de l'appareil.
- 3) Alimentation électrique incorrecte (tension faible, câblage défectueux, fusibles incorrects).
- 4) Accident, modification, emploi abusif ou incorrect de l'appareil tel qu'une circulation d'air inadéquate dans la pièce ou des conditions de fonctionnement anormales (température extrêmement élevée ou basse).
- 5) Utilisation dans un but commercial ou industriel (à savoir, si l'appareil n'est pas installé dans un domicile résidentiel).
- 6) Incendie, dommages causés par l'eau, vol, guerre, émeute, hostilités, cas de force majeure (ouragan, inondation, etc.).
- 7) Visites d'un technicien pour expliquer le fonctionnement de l'appareil au propriétaire.
- 8) Installation inappropriée (par exemple, encastrement d'un appareil autoportant, ou utilisation extérieure d'un appareil non conçu à cet effet, y compris, mais sans s'y limiter: les garages, les patios, les porches ou ailleurs qui ne sont pas correctement isolés ou climatisés).

La preuve de la date d'achat sera requise pour les réclamations de garantie; Conserver les factures de vente. Dans le cas où un service de garantie est requis, présentez la preuve d'achat à notre dépôt de service agréé.

### Service sous garantie

Service au domicile

Danby Products Limited  
PO Box 1778, Guelph, Ontario, Canada N1H 6Z9  
Téléphone : (519) 837-0920 Télécopieur: (519) 837-0449

**1-800-263-2629**  
04/17

Danby Products Inc.  
PO Box 669, Findlay, Ohio, U.S.A. 45840  
Téléphone: (419) 425-8627 Télécopieur: (419) 425-8629

# Bienvenido

Bienvenido a la familia Danby. Estamos orgullosos de nuestros productos de calidad y creemos en el servicio fiable. Sugerimos que lea este manual del propietario antes de conectar el nuevo aparato ya que contiene información importante sobre la operación, información de seguridad, solución de problemas y consejos de mantenimiento para garantizar la fiabilidad y longevidad de su electrodoméstico.

Visite **www.Danby.com** para acceder a herramientas de autoservicio, preguntas frecuentes y mucho más. Para asistencia adicional, llame al **1-800-263-2629**.

**Tenga en cuenta la información siguiente; Necesitará esta información para obtener un servicio bajo garantía.**

**Debe proporcionar el recibo de compra original para validar su garantía y recibir servicio.**

**Número de modelo:** \_\_\_\_\_

**Número de serie:** \_\_\_\_\_

**Fecha de compra:** \_\_\_\_\_

## Necesitas ayuda?

Antes de llamar al servicio, aquí hay algunas cosas que puede hacer para ayudarnos a servirle mejor.

### **Lea este manual del propietario:**

Contiene instrucciones para ayudarlo a usar y mantener su aparato correctamente.

### **Si recibe un aparato dañado:**

Inmediatamente póngase en contacto con el minorista o el constructor que le vendió el aparato.

### **Ahorre tiempo y dinero:**

Consulte la sección de solución de problemas al final de este manual antes de llamar. Esta sección le ayudará a resolver problemas comunes que pueden ocurrir.



1-800-26- Danby  
(1-800-263-2629)



## Importantes Instrucciones de Seguridad

### LEA Y SIGA TODAS LAS INSTRUCCIONES DE SEGURIDAD

#### INSTRUCCIONES DE SEGURIDAD

**ADVERTENCIA:** Para reducir el riesgo de incendio, choque eléctrico o lesiones a personas al usar este aparato, siga las precauciones básicas de seguridad, incluyendo las siguientes:

- No lave artículos que hayan sido previamente limpiados, lavados, empapados o manchados con gasolina, disolventes de limpieza en seco u otras sustancias inflamables o explosivas, ya que emiten vapores que podrían encenderse o explotar.
- No agregue gasolina, disolventes de limpieza en seco u otras sustancias inflamables o explosivas al agua de lavado. Estas sustancias, ya que emiten vapores que podrían encenderse o explotar.
- Bajo ciertas condiciones, se puede producir gas hidrógeno en un sistema de agua caliente que no se ha utilizado durante 2 semanas o más. **EL GAS DE HIDRÓGENO ES EXPLOSIVO.** Si el sistema de agua caliente no se ha utilizado durante este período, encienda todos los grifos de agua caliente y deje que el agua fluya durante varios minutos antes de usar la lavadora. Esto liberará cualquier gas de hidrógeno acumulado. No fume ni use una llama abierta durante este proceso.
- No introduzca la mano en el aparato si la tina o el agitador están en movimiento.
- No instale ni guarde este aparato en lugares expuestos a la intemperie.
- No manipule los controles.
- No repare ni reemplace ninguna parte del aparato ni intente realizar ningún mantenimiento a menos que se recomiende específicamente en las instrucciones de mantenimiento del usuario o en las instrucciones de reparación publicadas del usuario que entienda y tenga las habilidades para llevar a cabo.
- No haga funcionar el aparato cuando la presión del agua sea inferior a 7 PSI o superior a 0,5 MPa para evitar daños en el sistema de entrada.

Este aparato no está diseñado para ser usado por personas (incluyendo niños) cuyas capacidades físicas, sensoriales o mentales pueden ser diferentes o reducir, o que carecen de experiencia o conocimiento, a menos que dichas personas reciban supervisión o entrenamiento para operar el aparato por una persona responsable de su la seguridad.

#### INSTRUCCIONES DE CONEXIÓN A TIERRA

Este aparato debe estar conectado a tierra. La puesta a tierra reduce el riesgo de descarga eléctrica proporcionando un cable de escape para la corriente eléctrica.

Este aparato tiene un cable que tiene un cable de conexión a tierra con un enchufe de 3 clavijas. El cable de alimentación debe estar enchufado en un tomacorriente que esté debidamente conectado a tierra. Si el tomacorriente es un tomacorriente de dos clavijas, debe ser reemplazado por un tomacorriente de pared de 3 clavijas correctamente conectado a tierra. La placa de características en serie indica el voltaje y la frecuencia para la que está diseñado el artefacto.

**ADVERTENCIA** - El uso incorrecto del enchufe de conexión a tierra puede ocasionar un riesgo de descarga eléctrica. Consulte a un electricista o agente de servicio calificado si las instrucciones de conexión a tierra no se entienden completamente o si existe duda sobre si el aparato está debidamente conectado a tierra.

No conecte el aparato a los cables de extensión ni con otro aparato en la misma toma de corriente. No empalme el cable de alimentación. No corte ni quite en ningún caso la tercera clavija de tierra del cable de alimentación. No utilice cables de extensión ni adaptadores sin conexión a tierra (dos clavijas).

Si el cable de alimentación está dañado, debe ser reemplazado por el fabricante, su agente de servicio o persona calificada similar para evitar riesgos.

Cualquier pregunta relacionada con el poder o conexión a tierra debe dirigirse a un electricista certificado.

**PELIGRO:** Riesgo de atrapamiento de niños. Los niños deben ser supervisados alrededor de este aparato. Asegúrese de retirar la tapa antes de desechar este aparato.

**¡GUARDA ESTAS INSTRUCCIONES!**

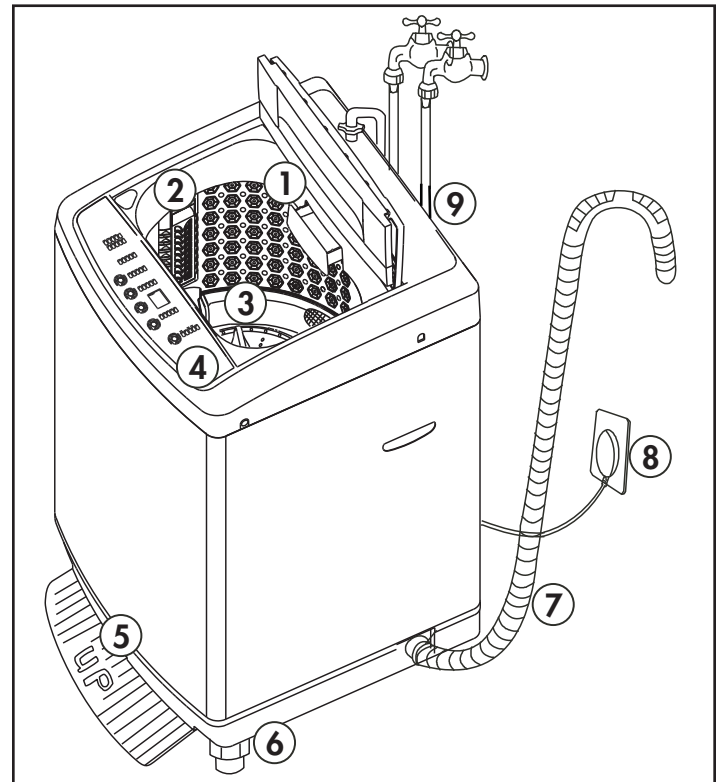
# INSTRUCCIONES DE INSTALACIÓN

## UBICACIÓN

- Se deben utilizar dos personas al mover el aparato.
- Retire el embalaje interior y exterior antes de la instalación. Retire la abrazadera de transporte y guárdela para evitar daños a los componentes de la lavadora cuando la lavadora se desplace o transporte a una nueva ubicación. La abrazadera del envío es un pequeño refuerzo plástico que se adhiere al embalaje Styrofoam.
- Limpie el exterior del aparato con un paño suave y seco y el interior con un paño húmedo tibio. No rocíe el aparato con agua.
- Coloque el aparato en un piso nivelado que sea lo suficientemente fuerte como para soportarlo cuando esté completamente cargado, en una habitación que tenga acceso conveniente a un suministro de agua y un desagüe, tenga baja humedad y humedad y no se congele en invierno.
- No coloque el aparato en el suelo alfombrado ya que esto puede bloquear las aberturas inferiores de ventilación.
- Mantenga el aparato lejos de fuentes de calor y fuera de la luz directa del sol. El calor excesivo o la luz solar pueden deformar o decolorar el aparato.
- Este aparato está diseñado para uso doméstico solamente. No está diseñado para instalación exterior, incluyendo cualquier lugar que no esté controlado por temperatura (garajes, porches, vehículos, etc.).
- Este aparato tiene 54.5 cm (21.5 pulgadas) de ancho por 95 cm (37.4 pulgadas) de alto por 55 cm (21.7 pulgadas) de profundidad. Asegúrese de dejar el espacio mínimo entre el aparato y todas las paredes y respiraderos circundantes.
- Espere 12.7 cm (5 pulgadas) de espacio entre la parte posterior, los lados y la parte superior del aparato y todas las paredes adyacentes.
- Este aparato está diseñado para instalación independiente y no está diseñado para ser instalado en un gabinete o mostrador. La construcción en este aparato puede causar un mal funcionamiento.
- No utilice agua caliente en exceso en el aparato, 50°C (122°F) o más. Las piezas y la ropa de plástico pueden deformarse o dañarse.

## CARACTERÍSTICAS

1. Compartimiento de detergente
2. Ensamblaje del filtro
3. Pulsador
4. Panel de control
5. Placa anti-ruido
6. Pie ajustable
7. Manguera de drenaje
8. Cable de alimentación eléctrica
9. Mangueras de entrada



## INSTRUCCIONES DE NIVELACIÓN

Es importante que el aparato esté nivelado para ayudar a evitar cargas desequilibradas y ruido excesivo.

1. Gire el pie de nivelación en sentido antihorario hasta que la parte superior del pie toque la parte inferior del armario.
2. Gire lentamente el pie de nivelación en el sentido de las agujas del reloj hasta que el aparato esté nivelado.

**Nota:** Este aparato incluye un pie ajustable en la parte delantera, tres pies sólidos y dos rodillos en la parte posterior para ayudar a mover el aparato de un lugar a otro.

## INSTRUCCIONES DE INSTALACIÓN

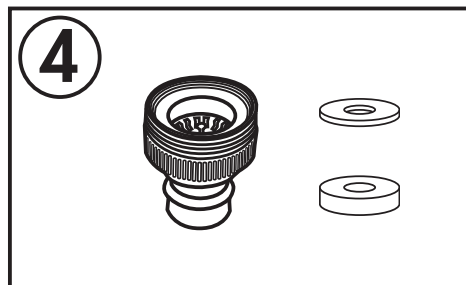
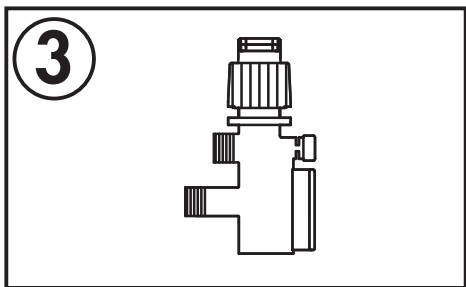
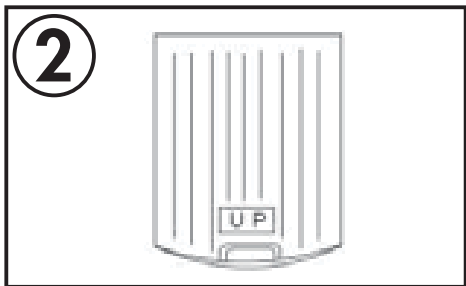
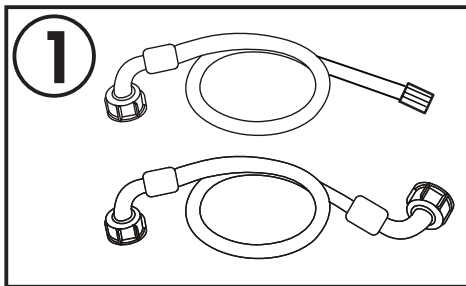
### ACCESORIOS Y PREPARACIÓN

Necesitará las siguientes herramientas para instalar la lavadora:

- Llave inglesa
- Alicates
- Destornillador

**Asegúrese de que todos los accesorios suministrados estén presentes y contabilizados:**

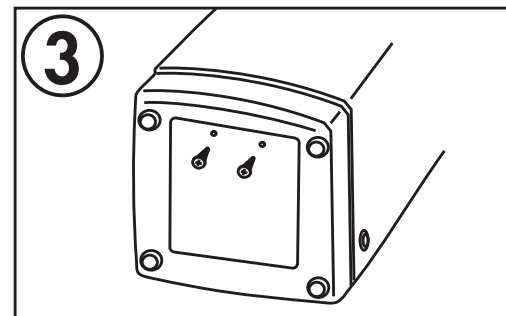
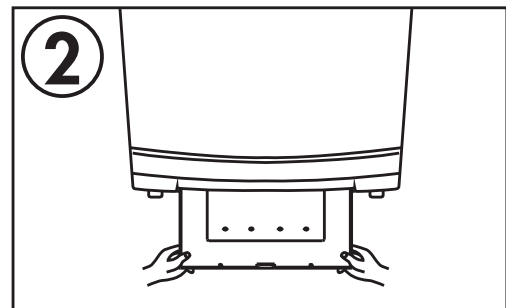
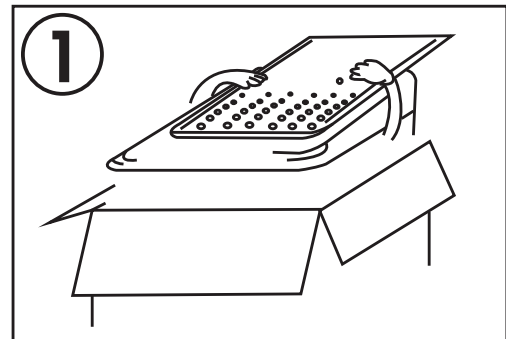
1. Dos mangueras de entrada
2. Una placa a prueba de ruido y tornillos
3. Un conjunto de conexión rápida
4. Un adaptador de grifo con una arandela delgada y una arandela gruesa



### INSTALACIÓN DE PLACA A PRUEBA DE RUIDO

La placa de prueba de ruido ayudará a amortiguar el ruido excesivo del aparato durante la agitación. Siga los pasos a continuación para instalar la placa de prueba de ruido.

1. Retire la placa antirruído del embalaje. Será enviado en la parte superior del aparato en la parte superior de la caja.
2. Inserte la placa antirruído en la abertura de la base del aparato.
3. Coloque el aparato en su parte posterior y asegure la placa de ruido con los dos tornillos suministrados.



## INSTRUCCIONES DE INSTALACIÓN

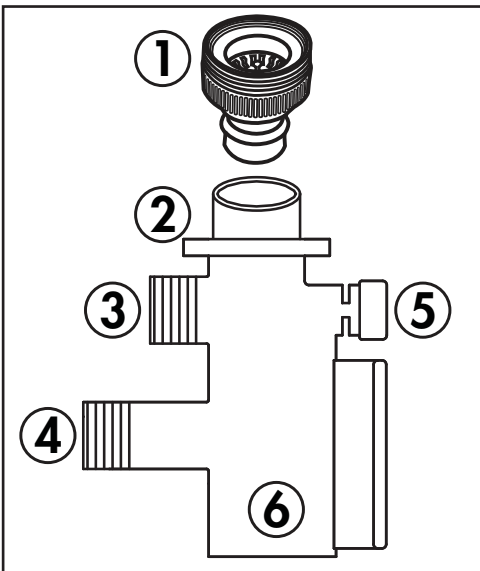
### SUMINISTRO DE AGUA

El agua puede suministrarse al aparato de dos maneras diferentes, ya sea a través del ensamblaje de conexión rápida o mediante la conexión directa de la manguera, dependiendo de las conexiones de agua disponibles. Los grifos de suministro de agua deben ajustarse a acoplamientos de manguera de jardín de 3/4 pulgadas (19.05 mm) estándar. No utilice conexiones deslizantes o de sujeción porque la presión del agua puede provocar fugas.

### Uso del conjunto de conexión rápida

El conjunto de conexión rápida se puede utilizar para suministrar agua al aparato cuando sólo hay un grifo disponible. Para una instalación de una sola línea, el conexión rápida debe conectarse al grifo de agua fría y la manguera de entrada debe conectarse a la entrada de agua fría en la parte posterior del aparato.

A continuación se muestra un desglose del conjunto de conexión rápida.

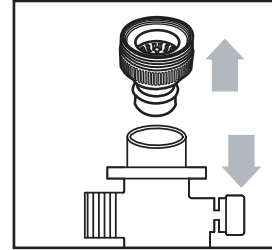


1. Adaptador de grifo
2. Collar de bloqueo
3. Conexión de la manguera de entrada
4. Conexión de la manguera de drenaje
5. Válvula de Liberación de Presión
6. Montaje de conexión rápida

**Nota:** La conexión de la manguera de desagüe en el conjunto de conexión rápida es sólo para uso con lavavajillas de encimera. Cuando utilice la conexión rápida con un lavavajillas portátil o lavadora, deje la tapa en su lugar, esta conexión no es necesario.

### Conexión del conjunto de conexión rápida al suministro de agua

Tire hacia abajo del collar de bloqueo y tire hacia arriba del adaptador del grifo para quitar el adaptador del conjunto.

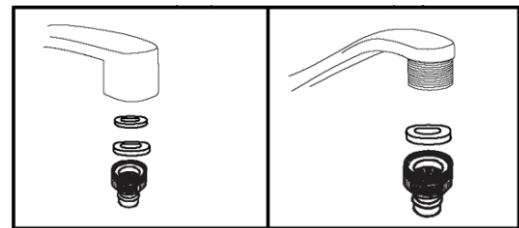


Retire el aireador del grifo antes de conectar el adaptador del grifo.

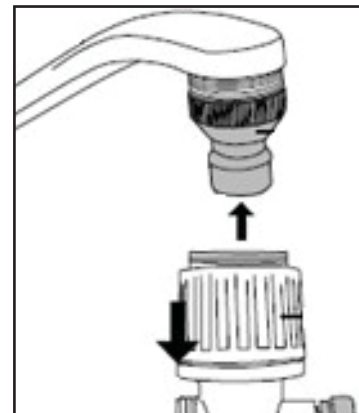
Si el grifo de suministro de agua es de rosca hembra, (imagen izquierda abajo), use las arandelas gruesas y delgadas en la conexión.

Si el grifo de suministro de agua es de rosca macho, (imagen derecha abajo), utilice la arandela gruesa en la conexión.

Encienda el grifo para verificar si hay fugas en la conexión antes de continuar. Si hay fugas, puede ser necesario envolver el adaptador del grifo o el grifo con cinta de teflón antes de conectar el adaptador al grifo.

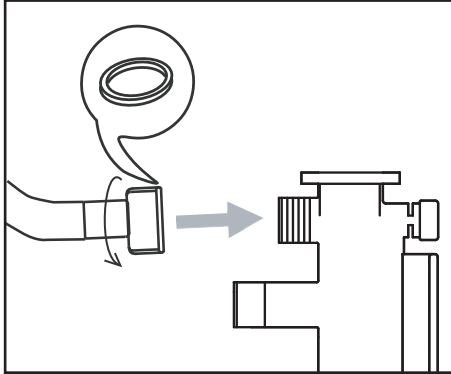


Tire hacia abajo del collar de bloqueo y empuje el conjunto de conexión rápida en la parte inferior del adaptador del grifo. Suelte el collar de fijación para conectar el conexión rápida al grifo.

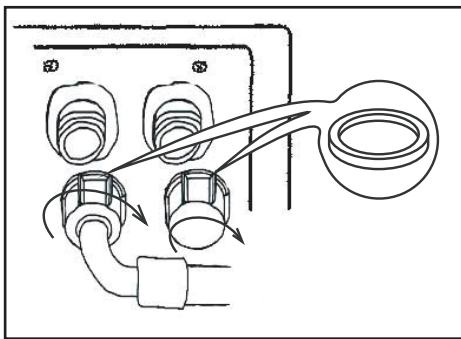


## INSTRUCCIONES DE INSTALACIÓN

Conecte la manguera de entrada de agua a la conexión de la manguera de entrada en el conjunto de conexión rápida girando la tuerca de conexión. Asegúrese de que haya una junta de goma en la conexión para evitar fugas. Deje la tapa en su lugar en la conexión de la manguera de desagüe inferior en el conjunto de conexión rápida, ya que no es necesario para este electrodoméstico.



Conecte el otro extremo de la manguera de entrada de agua a la conexión de agua fría en la parte posterior del aparato. Deje la tapa en su lugar en la conexión de agua caliente y asegúrese de que hay una junta de goma en ambas conexiones para evitar fugas.

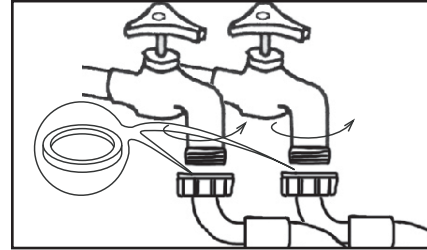


**Importante:** Después de completar el programa de lavado, presione la válvula de liberación de presión para liberar agua en la manguera de entrada antes de retirar el conector rápido del grifo.

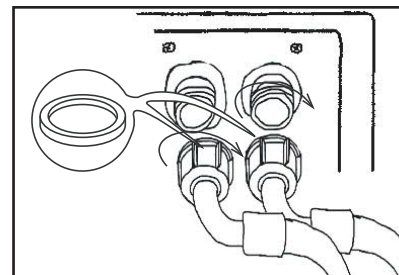
### Uso de una conexión directa de manguera

Si hay grifos de agua caliente y fría disponibles, este aparato se puede conectar directamente al suministro de agua siguiendo los pasos que se indican a continuación.

Conecte ambas mangueras de entrada suministradas a los grifos calientes y fríos. Asegúrese de que haya una junta de goma en ambas conexiones para evitar fugas.



Conecte los otros extremos de las mangueras de entrada de agua a las conexiones de agua caliente y fría en la parte posterior del aparato. Asegúrese de que el grifo de agua fría está conectado a la entrada de agua fría y que el grifo de agua caliente está conectado a la entrada de agua caliente y que hay juntas de goma dentro de ambas conexiones para evitar fugas.



### INSTALACION DE LA MANGUERA DE DRENAJE

La manguera de desagüe llegará previamente fijada al aparato. Durante el funcionamiento del aparato, la manguera de desagüe debe dirigirse hacia un fregadero o desagüe para atrapar el agua desechada al salir del aparato.

Cuando haga funcionar la manguera de desagüe a un desagüe, asegúrese de que no haya curvas en la manguera ya que esto puede causar un bloqueo e impedir la función de drenaje.

La manguera de drenaje se puede dirigir hacia arriba hacia un fregadero o cubo, pero asegúrese de que la manguera no se eleve a más de 120 cm del suelo, ya que esto puede afectar la función de drenaje.

# INSTRUCCIONES DE OPERACIÓN

## CONTROL PANEL

### 1. Botón de nivel de agua (Water level button)

- Pulse este botón para seleccionar el nivel de agua deseado. El indicador luminoso iluminará los números entre 1 y 5.

### 2. Botón de suministro de agua (Water supply button)

- Presione este botón para elegir la temperatura del agua deseada. La luz indicadora se ilumina HOT (caliente), WARM (cálido) o COLD (frío).

### 3. Botón de programa/retrasar (Program/Delay button)

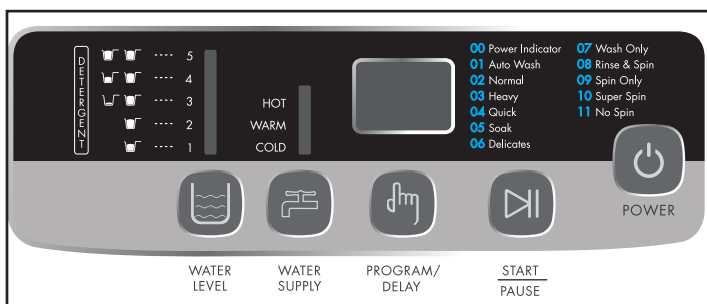
- Pulse este botón para seleccionar el programa deseado.
- Utilice este botón para ajustar la hora de inicio retardada deseada.

### 4. Botón de inicio/pausa (Start/Pause button)

- Pulse este botón para iniciar un programa seleccionado.
- Pulse este botón durante el funcionamiento para pausar un programa.
- Pulse este botón para reiniciar un programa que ha sido pausado.

### 5. Botón de encendido (Power button)

- Pulse este botón para encender o apagar el aparato.



## INSTRUCCIÓN DE LA FUNCIÓN

Antes de poner en marcha la lavadora, compruebe que:

- La manguera de desagüe está en la posición correcta.
- No hay fugas en la manguera de entrada cuando el grifo se enciende.
- El cable de alimentación está conectado correctamente a una toma de corriente de tres clavijas conectada a tierra.
- Que todas las monedas y artículos sueltos han sido retirados de la ropa.
- Coloque la ropa en la lavadora y agregue la cantidad deseada de detergente.

## DETERGENTE

La cantidad de detergente requerida variará en función de la cantidad de ropa que se agregue al aparato.

Consulte la siguiente tabla para obtener información sobre las cantidades de detergente que se deben usar en función del nivel de agua elegido.

Nivel del agua	Detergente (gramos)
1	16-20
2	25-28
3	31-36
4	39-42
5	47-50

Si usa un suavizante de telas, debe añadirse al programa durante el último enjuague. No abra la tapa mientras el ciclo está girando o el suavizante se introducirá en el momento incorrecto del ciclo.

Consulte la tabla a continuación para obtener información sobre las cantidades de suavizante de telas a utilizar en función del nivel de agua elegido.

Nivel del agua	Ablandador (Normal - Gramos)	Suavizante (Concentrado - Gramos)
1	14	5
2	20	7
3	25	10
4	30	13
5	36	16

## INSTRUCCIONES DE OPERACIÓN

### SELECCIÓN DE PROGRAMAS

Presione el botón de **programa/retrasar (Program/Delay)** varias veces para seleccionar el programa deseado.

Consulte la tabla siguiente para obtener información sobre los tiempos del programa.

**Nota:** Los tiempos del programa pueden variar dependiendo de la cantidad de ropa en la lavadora y de la presión del agua que entra en la manguera de entrada.

Código de programa	Nombre del ciclo	Duración máxima del ciclo
01	Lavado automático (Auto Wash)	43 minutos
02	Normal	33 minutos
03	Pesado (Heavy)	43 minutos
04	Rápido (Quick)	15 minutos
05	Empapar (Soak)	63 minutos
06	Delicado (Delicate)	43 minutos
07	Lavar solo (Wash Only)	14 minutos
08	Lava y esprime (Rinse and Spin)	29 minutos
09	Girar solamente (Spin Only)	9 minutos
10	Giro súper (Super Spin)	19 minutos
11	Sin giro (No Spin)	32 minutos

- Pulse el botón **nivel de agua (Water level button)** para seleccionar el tamaño de la carga de lavado que se completará.
- Presione el botón de **suministro de agua (Water supply button)** para elegir la temperatura del agua deseada.
- Cierre la tapa y pulse el botón **inicio/pausa (Start/Pause button)** para iniciar el programa deseado.
- Un programa se puede pausar una vez que está en funcionamiento presionando el botón **inicio/pausa (Start/Pause button)**.
- Si la carga está desequilibrada y el interruptor de seguridad se activa durante la centrifugación, la máquina se llenará automáticamente con agua para ajustar el equilibrio.
- El aparato no funcionará si la tapa está abierta.
- Cuando se termina un programa, suena una alarma.
- Para reducir el riesgo de descarga eléctrica y fugas de agua, desconecte la manguera de entrada de agua y el cable de alimentación cuando el aparato no esté en uso.

### FUNCIÓN DE RETRASO

Elija un programa pulsando el botón **programa/retrasar (Program/Delay button)**. Pulse el botón **inicio/pausa (Start/Pause button)**. El aparato sonará durante 3 segundos. Mientras el aparato esté sonando, mantenga presionado el botón **programa/retrasar (Program/Delay button)** hasta que aparezca el tiempo de retardo deseado.

Por ejemplo, para retrasar el programa durante 5 horas, presione el botón **programa/retrasar (Program/Delay button)** hasta que la pantalla muestre "05".

### FUNCIÓN DE SILENCIO

Para silenciar todos los sonidos del aparato, presione el botón de **encendido (Power button)** y la pantalla mostrará "00", presione y mantenga presionado el botón **inicio/pausa (Start/Pause button)** durante 1-2 segundos para activar la función de silencio. Para desactivar la función de silenciamiento, pulse el botón **inicio/pausa (Start/Pause button)**.

### FUNCIÓN DE APAGADO AUTOMÁTICO

Si la lavadora está encendida y no se selecciona ningún programa en 10 minutos, el aparato se apagará automáticamente para ahorrar energía.

Una vez que el programa de lavado esté completo, un zumbador sonará seis veces para alertar que el programa está terminado y el aparato se apagará automáticamente para conservar energía.

### LIMPIEZA

Antes de realizar cualquier limpieza o mantenimiento, asegúrese de que la manguera de entrada de agua ha sido desconectada y de que el cable de alimentación ha sido desenchufado.

Limpie el exterior del aparato con un paño húmedo y tibio. Evite el uso de detergentes o productos químicos, ya que esto puede dañar o dañar el gabinete.

### FILTRO DE LECHE

El filtro de pelusa debe limpiarse después de cada programa.

1. Retire el filtro de pelusa de la cuba interior del aparato.
2. Abra el filtro de pelusa y retire cualquier pelusa que se haya acumulado.
3. El filtro de pelusa se puede enjuagar con agua fría para eliminar cualquier acumulación de pelusa. No utilice detergentes ni productos químicos en el filtro de pelusa.
4. Asegúrese de que el filtro de pelusas se sustituya en el aparato antes de comenzar un nuevo programa.

### ENTRADA DE AGUA

La entrada de agua puede requerir una limpieza periódica para eliminar los residuos o acumulación de agua dura.

1. Asegúrese de que la manguera de entrada de agua ha sido desconectada del aparato.
2. Retire la pantalla del filtro de la válvula de entrada y retire los residuos o acumulación de agua dura. La pantalla del filtro se puede enjuagar con agua fría para eliminar cualquier acumulación.
3. Asegúrese de que la pantalla del filtro se reemplaza en la válvula de entrada de agua antes de volver a conectar la manguera de entrada de agua.

### ENJUAGUE DE VINAGRE

Un enjuague de vinagre y agua se puede ejecutar a través de la lavadora para eliminar las manchas en la tina interior o cualquier olor persistente.

Coloque 1/2 taza de vinagre en la lavadora y elija el nivel de agua más alto. Permita que el aparato ejecute un programa completo de lavado y enjuague y centrifugado sin lavado para eliminar manchas y olores.

## SOLUCIÓN DE PROBLEMAS

Danby cuidado del consumidor: 1-800-263-2629

### Horas de operación:

Lunes a Jueves 8:30 am - 6:00 pm Hora estándar del este  
Viernes 8:30 am - 4:00 pm Hora estándar del este

La información de este manual está sujeta a cambios sin previo aviso.

PROBLEMA	CAUSA POSIBLE
La lavadora no funciona	<ul style="list-style-type: none"><li>• No enchufado.</li><li>• El disyuntor ha disparado o un fusible quemado.</li><li>• La tapa no está cerrada.</li><li>• La fuente de agua no está encendida.</li></ul>
No hay agua o suministro insuficiente de agua	<ul style="list-style-type: none"><li>• La fuente de agua no está encendida.</li><li>• La manguera de entrada de agua está doblada.</li><li>• La pantalla del filtro en la entrada de agua está obstruida.</li></ul>
La lavadora no drena	<ul style="list-style-type: none"><li>• La manguera de desagüe está doblada.</li><li>• Hay un problema con la bomba de desagüe.</li></ul>
La lavadora vibra o es demasiado ruidosa	<ul style="list-style-type: none"><li>• La lavadora no está nivelada.</li><li>• La lavadora está tocando otro objeto.</li><li>• La carga de la ropa no es equilibrada.</li></ul>
La lavadora no gira	<ul style="list-style-type: none"><li>• La tapa no está cerrada.</li><li>• La lavadora no está nivelada.</li></ul>
Relleno y drenaje de agua al mismo tiempo	<ul style="list-style-type: none"><li>• Asegúrese de que la manguera de desagüe esté elevada de 0,7 mm a 1,2 mm del suelo; Si la manguera de desagüe es demasiado baja, puede causar que el agua salga del aparato a medida que se llena</li></ul>
Gabinete fugas desde abajo	<ul style="list-style-type: none"><li>• La bañera está sobrecargada</li><li>• El nivel de agua es demasiado alto para la cantidad de lavado</li></ul>

## CÓDIGOS DE ERROR

### E1 - No hay flujo de agua

- Compruebe que la fuente de agua esté encendida.
- Compruebe la presión del agua.
- Compruebe que la pantalla del filtro de entrada de agua esté limpia.

### E2 - La tapa está abierta

- Compruebe que la tapa esté completamente cerrada.

### E3 - La carga es desequilibrada

- Asegúrese de que la carga de la ropa esté equilibrada.

### E4 - El aparato no se llenó con agua

- Compruebe que la fuente de agua esté encendida.
- Compruebe la presión del agua.
- Compruebe que la pantalla del filtro de entrada de agua esté limpia.

### E0 - Error del sistema

- Desconecte tanto la manguera de entrada de agua como el cable de alimentación y llame a un técnico de reparación.

## E3 - AJUSTE DEL CICLO DE GIRO

Si la carga de lavado es irregular durante el ciclo de centrifugado, se activará una función de seguridad que detendrá el programa de centrifugado y volverá a un enjuague. La bañera se llenará con agua en un intento de equilibrar la carga. Una vez que la bañera esté en equilibrio, el ciclo de centrifugado se reanudará.

Esta función se activará dos veces. Si la carga permanece desequilibrada, el aparato dejará de funcionar, sonará una alarma y el código de error E3 aparecerá en el panel de control.

## GARANTÍA LIMITADA "A DOMICILIO"

Este producto de calidad está garantizado contra defectos de fabricación, incluyendo partes y mano de obra, siempre y cuando la unidad se utilice bajo las condiciones normales de funcionamiento para las que fue diseñado. Esta garantía está solamente disponible para la persona que haya comprado originalmente esta unidad directamente de Danby Products Limited (Canada) o Danby Products Inc. (U.S.A.) (en adelante "Danby") o uno de sus distribuidores autorizados, y no es transferible.

### CONDICIONES DE LA GARANTÍA

Las piezas plásticas, se autorizan por treinta (30) días solamente a partir de la fecha de la compra, sin las extensiones proporcionadas.

**Primeros 12 meses** Durante los primeros **doce (12) meses**, cualquier parte en buen estado de este producto que resulte defectuosa, incluyendo cualquier sistema sellado, será reparado o reemplazado, a opción del fabricante, sin cargo para el comprador ORIGINAL.

**Para obtener servicio** Comuníquese con el distribuidor donde haya comprado la unidad, o llame al Taller de Servicio Autorizado más cercano, donde debe ser reparada por un técnico calificado. Si esta unidad es reparada en otro lugar que no sea un Taller de Servicio Autorizado, o si la unidad se utiliza para aplicaciones comerciales, Danby no se hará responsable de ninguna forma y la garantía será anulada.

**Límites del servicio técnico a domicilio** Danby se reserva el derecho de limitar la cobertura de "Servicio en Domicilio" sujeto a la proximidad de un **Taller de Servicio Autorizado**. Para todo artefacto que requiera servicio fuera del área limitada de "Servicio en Domicilio", el cliente será responsable por transportar dicho artefacto hasta el Taller de Servicio Autorizado más cercano. Si el electrodoméstico está instalado en un lugar que se encuentra a **100 kilómetros (62 millas)** o más del centro de servicios más cercano, se debe llevar la unidad al Centro de servicios Danby autorizado más cercano, ya que dicho servicio sólo puede realizarlo un técnico calificado y certificado por Danby para prestar servicios de garantía.

Los cargos por transporte desde y hacia el lugar en que se efectúe el servicio técnico no están cubiertos por esta garantía y son de responsabilidad del comprador.

Nada dentro de esta garantía implica que Danby será responsable por cualquier daño que hayan sufrido los alimentos u otros contenidos de este aparato, ya sea debido a un defecto del aparato, o su uso, adecuado o inadecuado.

### EXCLUSIONES

Salvo lo aquí indicado por Danby, no existen otras garantías, condiciones o representaciones, explícitas o implícitas, concretas o intencionales por parte de Danby o sus distribuidores autorizados y todas las demás garantías, condiciones o representaciones, incluyendo cualquier garantía, condiciones o representaciones bajo cualquier Acta de Venta de Productos o legislación o estatuto similar, quedan de esta forma expresamente excluidas. **Salvo lo aquí indicado, Danby no serán responsables por ningún daño a personas o bienes, incluyendo la propia unidad, sin importar su causa, o de ningún daño indirecto causado por el desperfecto de la unidad, y al comprar esta unidad, el comprador acepta por la presente, indemnizar y proteger a Danby contra cualquier reclamo por daños a personas o bienes causados por la unidad.**

### CONDICIONES GENERALES

No se considerará ninguna de estas garantías o seguros cuando el daño o la necesidad de reparación sea el producto de los siguientes casos:

- 1) Falla del suministro eléctrico.
- 2) Daños en tránsito o durante el transporte de la unidad.
- 3) Alimentación incorrecta, como bajo voltaje, instalación eléctrica defectuosa o fusibles inadecuados.
- 4) Accidente, modificación, abuso o uso incorrecto del artefacto, tal como insuficiente ventilación del ambiente o condiciones de operación anormales (temperatura ambiente extremadamente alta o baja).
- 5) Utilización comercial o industrial (v.g., si el electrodoméstico no está instalado en una vivienda particular).
- 6) Incendio, daños por agua, robo, guerra, disturbios, hostilidades, actos de fuerza mayor como huracanes, inundaciones, etc.
- 7) Pedidos de servicio debido a desinformación del usuario.
- 8) Instalación inadecuada (v.g., instalación empotrada de un electrodoméstico diseñado como unidad independiente o uso de un electrodoméstico al aire libre que no esté aprobado para dicho fin, incluyendo pero no limitado a: garajes, patios, porches o en cualquier lugar que no esté bien aislado o controlado por el clima).

Se requerirá una prueba de la fecha de compra para reclamaciones de garantía; Retener las facturas de venta. En el caso de que se requiera servicio de garantía, presente el comprobante de compra a nuestro depósito de servicio autorizado.

**Servicio de Garantía**  
Servicio en Domicilio

Danby Products Limited  
PO Box 1778, Guelph, Ontario, Canada N1H 6Z9  
Telephone: (519) 837-0920 FAX: (519) 837-0449

**1-800-263-2629**  
04/17

Danby Products Inc.  
PO Box 669, Findlay, Ohio, U.S.A. 45840  
Telephone: (419) 425-8627 FAX: (419) 425-8629





---

**MODEL • MODÈLE • MODELO**  
**DWM060WDB**