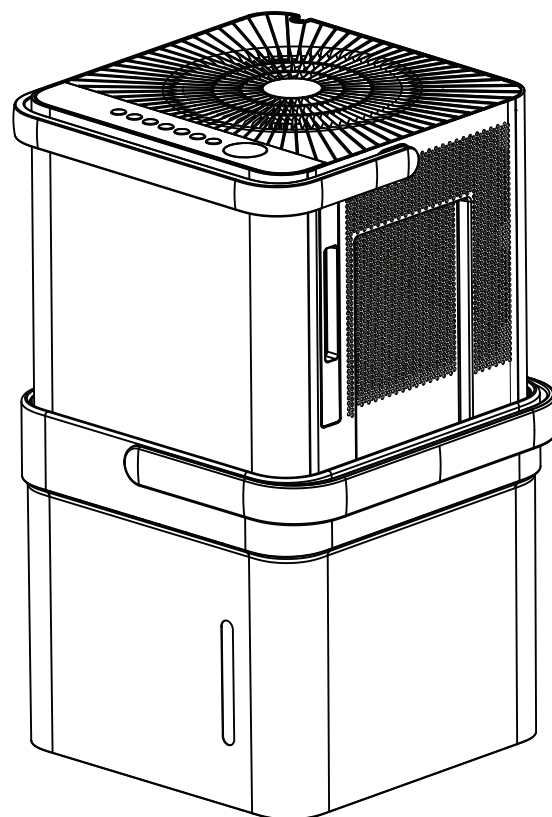
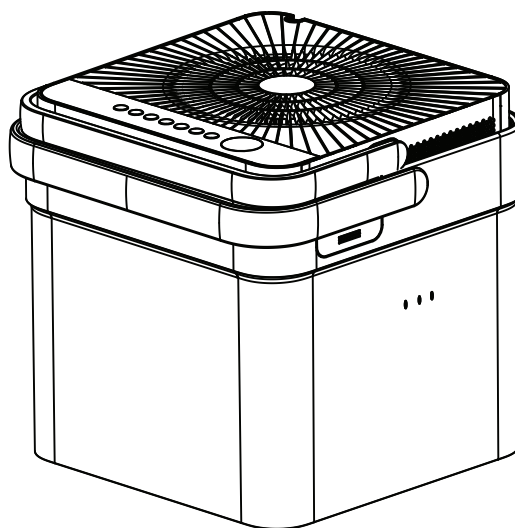


## USER MANUAL

Dehumidifier

POWER SOURCE 115V,60Hz



Warning notices: Before using this product, please read this manual carefully and keep it for future reference.

The design and specifications are subject to change without prior notice for product improvement.

MAD50PS1QGRC

[www.midea.com](http://www.midea.com)

# Table of Contents

<b>Safety Precautions</b>	<b>1</b>
<b>Preparation</b>	<b>3</b>
<b>Operating Instructions</b>	<b>5</b>
<b>Care and Maintenance</b>	<b>11</b>
<b>Troubleshooting Tips</b>	<b>12</b>
<b>App Instructions</b>	<b>13</b>

# Safety Precautions

Read Safety Precautions Before Operation and Installation

To prevent death or injury to the user or other people and property damage, the following instructions must be followed. Incorrect operation due to ignoring of instructions may cause death, harm or damage.



## WARNING

This symbol indicates the possibility of personnel injury or loss of life.



## CAUTION

This symbol indicates the possibility of property damage or serious consequences.



## WARNING

- Do not exceed the rating of the power outlet or connection device.
- Do not operate or stop the unit by switching on or off the power.
- Do not damage or use an unspecified power cord.
- Do not modify power cord length or share the outlet with other appliances.
- Do not insert or pull out plug with wet hands.
- Do not install the appliance in a location that may be exposed to combustible gas.
- Do not place the unit near a heat source.
- Disconnect the power if strange sounds, smell, or smoke comes from it.
- You should never try to take apart or repair the unit by yourself.
- Before cleaning, turn off the power and unplug the unit.
- Do not use the machine near flammable gas or combustibles, such as gasoline, benzene, thinner, etc.
- Do not drink or use the water drained from the unit.
- Do not take the water bucket out during operation.
- Do not use the unit in small spaces.
- Do not put in places where water may splash onto the unit.
- Place the unit on a level, sturdy section of the floor.
- Do not cover the intake or exhaust openings with cloths or towels.
- Care should be taken when using the unit in a room with the following persons: infants, children, elderly people, and people not sensitive to humidity.
- Do not use in areas where chemicals are handled.
- Never insert your finger or other foreign objects into grills or openings. Take special care to warn children of these dangers.
- Do not place heavy object on the power cord and take care so that the cord is not compressed.
- Do not climb up on or sit on the unit.
- Always insert the filters securely. Clean filter once every two weeks.
- If water enters the unit, turn the unit off and disconnect the power, contact a qualified service technician.
- Do not place flower vases or other water container on top of the unit.
- Do not use extension cords.



## CAUTION

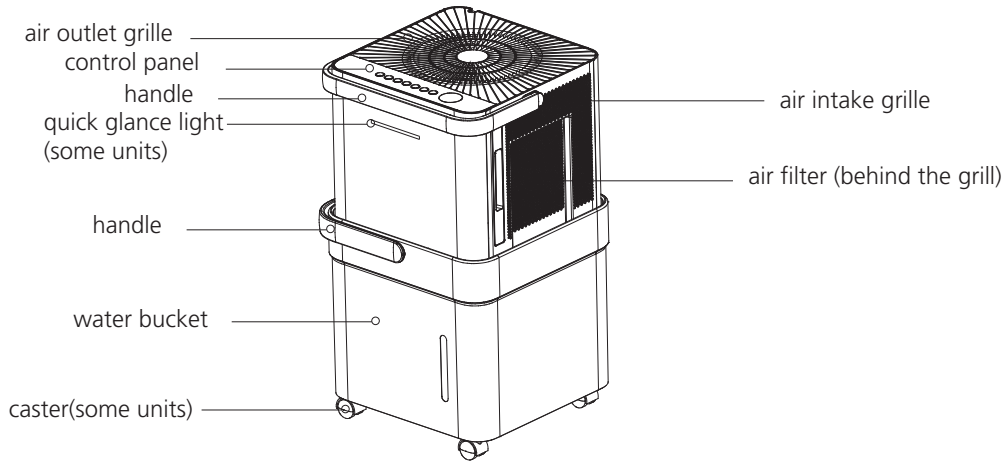
- This appliance is not intended for use by persons (including children) with reduced physical, sensory or mental capabilities or lack of experience and knowledge, unless they have been given supervision or instruction concerning use of the appliance by a person responsible for their safety. Children should be supervised to ensure that they do not play with the appliance. (Applicable for other countries except the European Countries )
- If the supply cord is damaged, it must be replaced by the manufacturer, its service agent or similarly qualified persons in order to avoid a hazard.
- Prior to cleaning or other maintenance, the appliance must be disconnected from the supply mains.
- Do not install the appliance in a location that may be exposed to combustible gas. If combustible gas accumulates around the unit, it may cause fire.
- If the appliance is knocked over during use, turn off the unit and unplug it from the main power supply immediately. Visually inspect the unit to ensure there is no damage. If you suspect the unit has been damaged, contact a technician or customer service for assistance.
- In a thunderstorm, the power must be cut off to avoid damage to the machine due to lightning.
- Do not run cord under carpeting. Do not cover cord with throw rugs, runners, or similar coverings. Do not route cord under furniture or appliances. Arrange cord away from traffic area and where it will not be tripped over.
- Do not operate unit with a damaged cord or plug. Discard unit or return to an authorized service facility for examination and/or repair.
- The appliance shall be installed in accordance with national wiring regulations.
- Contact the authorised service technician for repair or maintenance of this unit.
- Turn off the product when not in use.
- Be sure the unit is properly grounded. To minimize shock and fire hazards, proper grounding is important. The power cord is equipped with a three-prong grounding plug for protection against shock hazards.
- Your unit must be used in a properly grounded wall receptacle. If the wall receptacle you intend to use is not adequately grounded or protected by a time delay fuse or circuit breaker (please refer to the nameplate for the electrical data), have a qualified electrician install the proper receptacle.



# Preparation

## Identification of parts

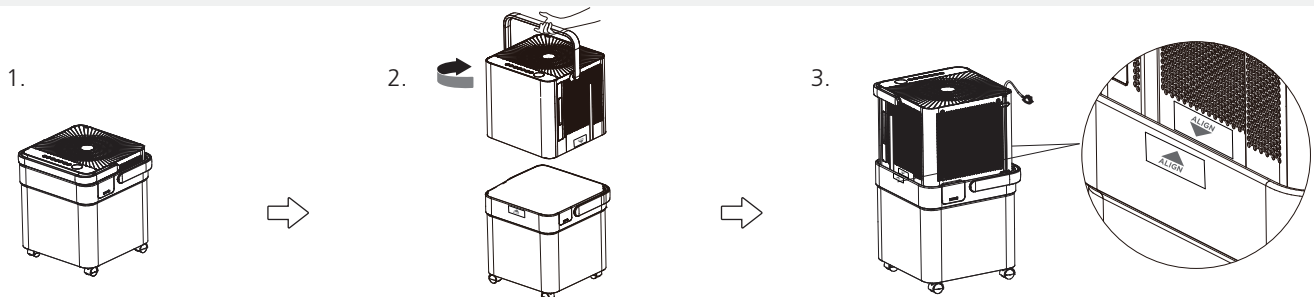
NOTE: All the illustrations in the manual are for explanation purpose only. Your machine may be slightly different. The actual shape shall prevail. The unit can be controlled by the unit control panel.



## Installation Instructions

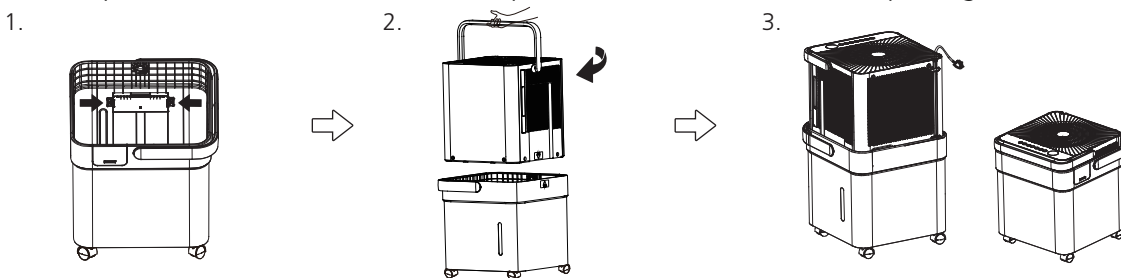
1. Take out the dehumidifier from the package.
2. Hold the handle and lift the dehumidifier up, pull out the power code, and rotate 90° counterclockwise.
3. Place the dehumidifier into the water bucket gently according to the ALIGN label until it clicks in place. Do never install it rudely.

NOTE: During the operation, it is normal if you press the top cover and the dehumidifier shakes slightly.



## Storage Instructions

1. Press in the convex piece in the water bucket.
2. Lift the dehumidifier body handle, rotate 90° clockwise.
3. Install the power cord into the in-line slot, put the dehumidifier into the package to store.



## Caster installation and disassembly instructions (some units)

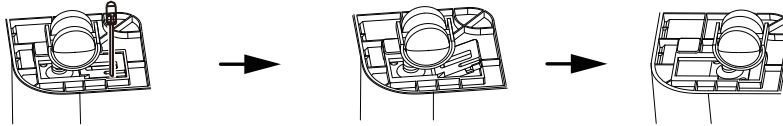
Installation:

1. Attach the caster to the bottom of the unit.
2. Use a block to fix it as shown in the picture.



Disassembly:

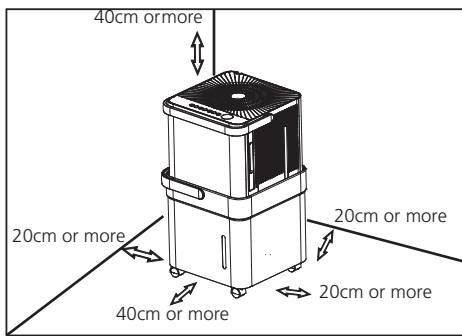
1. To remove the caster, use a screwdriver to prop up the block, then take it down.
2. Then remove the caster.



## Design Notice

In order to ensure the optimal performance of our products, the design specifications of the unit are subject to change without prior notice.

## Positioning the unit



Casters (At four points on the bottom of unit)

- Casters can move freely.
  - Do not force casters to move over carpet, nor move the unit with water in the bucket. (The unit may tip over and spill water.)
- A dehumidifier operating in a basement will have little or no effect in drying an adjacent enclosed storage area, such as a closet, unless there is adequate circulation of air in and out of the area.
  - Do not use outdoors.
  - This dehumidifier is intended for indoor residential applications only. This dehumidifier should not be used for commercial or industrial applications.
  - Place the dehumidifier on a smooth, level floor strong enough to support the unit with a full bucket of water.
  - Allow at least 20cm of air space on all sides of the unit for good air circulation (at least 40cm of air space on air outlet).
  - Place the unit in an area where the temperature will not fall below 5°C (41°F). The coils can become covered with frost at temperatures below 5°C (41°F), which may reduce performance.
  - Place the unit away from the clothes dryer, heater or radiator.
  - Use the unit to prevent moisture damage anywhere books or valuables are stored.
  - Use the dehumidifier in a basement to help prevent moisture damage.
  - The dehumidifier must be operated in an enclosed area to be most effective.
  - Close all doors, windows and other outside openings to the room.

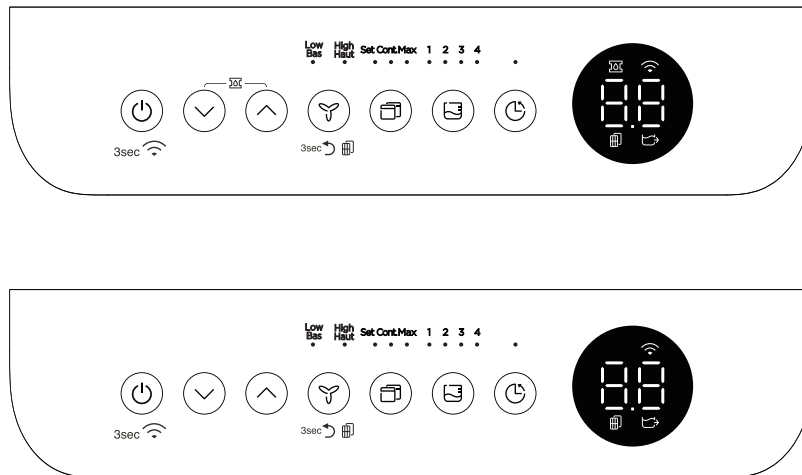
## When using the unit

- When first using the dehumidifier, operate the unit continuously 24 hours. Make sure the plastic cover on the continuous drain hose outlet install stightly properly so there are no leaks.
  - This unit is designed to operate with a working environment between 5°C/41°F and 32°C/90°F, and between 30%(RH) and 80%(RH).
  - If the unit has been switched off and needs to be switched on again quickly, allow approximately three minutes for the correct operation to resume. Do not connect the dehumidifier to a multiple socket outlet, which is also being used for other electrical appliances.
  - Select a suitable location, making sure you have easy access to an electrical outlet.
  - Plug the unit into a electrical socket-outlet with earth connection.
  - Make sure the Water bucket is correctly fitted otherwise the unit will not operate properly.
- NOTE: When the water in the bucket reaches to a certain level, please be careful to move the machine to avoid it falling down.

# Operating Instructions

## Control Panel Features

NOTE: The following control panels are for explanation purpose only. The control panel of the unit you purchased may be slightly different according to the models. Your machine may not contain some indicators or buttons. The actual shape shall prevail.



Indicator	Function	Indicator	Function
	Wireless light		Filter clean light
	Bucketless Mode		Pump light (for pump model only)

When you push the button to change operation modes, the unit will make a beep sound to indicate that it is changing modes.

### Power button

Press to turn the dehumidifier on and off.

Note: When the compressor startups or stops running, the unit may make a loud voice, it is normal.

### Mode button

Press to select the desired operation mode from Continuous dehumidifying, Dryer/Max (model dependent), Smart dehumidifying (on some models) and Setting dehumidifying.

In Setting dehumidifying mode, on some models the set indicator light illuminates. On some models, the unit without setting dehumidifying indicator light. When

the Continuous, DRY, Smart indicator lights turn dark, the unit is at the setting dehumidifying mode.



Note: In Continuous dehumidifying, Dryer and Smart dehumidifying modes, the humidity setting can't be adjusted.

### Bucketless mode (on some models) +

The dehumidifier can be used without bucket. When the unit is on, the LED DISPLAY shows "Eb". Press and hold FILL LEVEL button and UP button for 3 seconds in 3 minutes to shield "Eb" malfunction, and the bucketless mode indicator light illuminates. Press and hold FILL LEVEL button and UP button to exit Bucketless mode, the bucketless mode indicator light turns dark.

Note: In Bucketless mode, the unit should operate with a hose to drain away water.

In Bucketless mode, the bucket capacity can't be selected and the unit can't turn on PUMP feature.

UP( ^)/DOWN( v) buttons  

· Humidity Set Control buttons

In Setting dehumidifying mode, The humidity level can be set within a range of 35%RH(Relative Humidity) to 85%RH (Relative Humidity) in 5% increments. Press and hold the v button the humidity drop continuously. Press and hold the ^ button the humidity rise continuously.

Fan button 

Control the fan speed. Press to select fan speed in three steps-low, med and high (On some models The fan speed just can be selected in two steps-low and high). The fan speed indicator light illuminates under different fan speed settings.

Press and hold the Fan button for 3 seconds to eliminate filter reminder, when the filter light flickers (On some models).

Note: The unit operates for 250 hours, then enter filter clean reminder.

FILL LEVEL button 

Control the bucket capacity. Press to select bucket capacity in four steps-1, 2, 3 and 4. When turn on pump function, the pump indicator light illuminates and the bucket capacity will be at 4 step.

Timer button 

- Press to initiate the Auto start or Auto stop feature, in conjunction with the ^ and v buttons. When the unit is on, press the Timer button to activate the Auto stop feature. When the unit is off, press this button to activate the Auto start feature.
- Press or hold the ^ and v button to change the Auto time by 0.5 hour increments, up to 10 hours, then at 1 hour increments up to 24 hours.
- The control will count down the time remaining until start.
- The selected time will register in 5 seconds and the system will automatically revert back to display the previous humidity setting.
- Turning the unit ON or OFF at any time or adjusting the timer setting to 0.0 will cancel the Auto start or Auto stop feature.
- When LED display window displays the code of P2, the Auto start or Auto stop feature will also be cancelled.

PUMP feature (On some models)  + 

Press and hold on the Up/Down buttons 2 second to initiate PUMP feature. Press and hold on the Up/Down buttons 2 seconds again to stop PUMP feature. Turn on the PUMP feature, the bucket capacity cannot be selected and the bucket capacity is at 4 step.

Note: When the PUMP feature is activated, it works when the water is full at 4 step.

Wireless button (On some models)  

Press and hold on the POWER button for 3 seconds to initiate the Wireless connection mode. The LED DISPLAY shows 'AP' to indicate you can set Wireless connection. If connection (router) is successful within 8 minutes, the unit will exit Wireless connection mode automatically and the Wireless indicator illuminates and the unit enters the previous function. If connection is failure within 8 minutes, the unit exits the Wireless connection mode automatically.

## Display

Shows the set % humidity level from 35% to 85% or auto start/stop time (0~24) while setting, then shows the actual ( $\pm 5\%$  accuracy) room % humidity level in a range of 30% RH (Relative Humidity) to 90%RH (Relative Humidity).

## Error Codes:

- EH60-Room temperature r sensor error--Unplug the unit and plug it back in. If error repeats, call for service;
- EH61-Tube Temperature sensor of the evaporator error--Unplug the unit and plug it back in. If error repeats, call for service;
- EH0b-Display board and master control board communication error.Unplug the unit and plug it back in. If error repeats, call for service;

Protection Code:

P2-Bucket is full -- Empty the bucket and replace it in the right position.

Eb-Bucket malfunction--Replace the bucket in the right position, the malfunction clear.

Note: When one of the above malfunctions occurs, turn off the unit, and check for any obstructions. Restart the unit, if the malfunction is still present, turn off the unit and unplug the power cord. Contact the manufacturer or its service agents or a similar qualified person for service.

## Other features

### Auto Defrost

When frost builds up on the evaporator coils, the compressor will cycle off and the fan will continue to run until the frost disappears.

Note: When Auto defrosting operation, the unit may make a voice of refrigerant flowing, it is normal.

### Auto Shut Off

The dehumidifier shuts off when the bucket is full. For some models, the fan motor will continue to run for 30 seconds.

### Wait 3 minutes before resuming operation

After the unit has stopped, it can not be restart operation in the first 3 minutes. This is to protect the unit. Operation will automatically start after 3 minutes.

### Auto-Restart

If the unit breaks off unexpectedly due to the power cut, it will restart with the previous function setting automatically when the power resumes.

### Continuous dehumidifying mode

At continuous dehumidifying mode, the unit dehumidify continuously and cannot select humidity. Press mode button to exit continuous dehumidifying mode.

### Smart dehumidifying mode (On some models)

At smart dehumidifying mode, the unit will automatically control room humidity in a comfortable range 45%~55% according to the room temperature. The humidity setting function will be invalid.

### Setting dehumidifying mode

At setting dehumidifying mode, the unit can be adjusted in a range 35%~85%, and the humidity setting can be adjusted (increase/decreasing) in 5%. Press MODE button to exit setting dehumidifying mode.

### Quick glance light (On some models)

When the humidity is more than 70%, the quick glance light will emit red light.

When the humidity range is at 45% to 70%, the quick glance light will emit yellow light.

When the humidity is lower than 45%, the quick glance light will emit green light.

The light can be activated or deactivated by pressing and holding the Fan button and UP button simultaneously for 2 seconds.

### MAX mode (On some models)

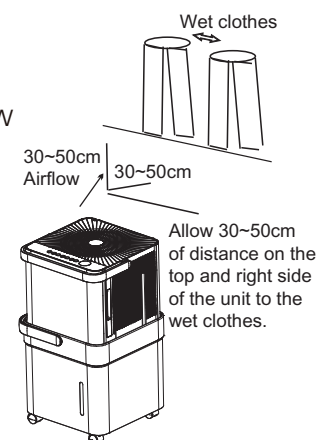
The unit can make the MAX dehumidification function when it is under MAX mode. The fan speed is fixed at high fan speed.

### Dryer mode (On some models)

The unit can make the MAX dehumidification function when it is under Dryer mode. The fan speed can't be adjusted.

Note:

1. The Dryer/MAX (model dependent) mode must be operated in a close room, do not open the door and window.
2. To make the best effective dehumidification, please first dehydrate the wet clothes.
3. Make sure to direct airflow at the wet clothes.
4. For thick and heavy wet clothes may not get the best effective dehumidification.



**Bucketless mode (on some models)**

The dehumidifier can be used without bucket when the unit is under Bucketless mode.

The unit will not remind the water to be full after entering the bucketless mode, therefore, it is suggested that:

1. Check whether the tube is properly connected;
2. Link the other end of the tube to a place with unlimited capacity, such as a sink or a basin;
3. Do not place the other end of the tube in a container with limited capacity, otherwise the water may overflow to the floor.

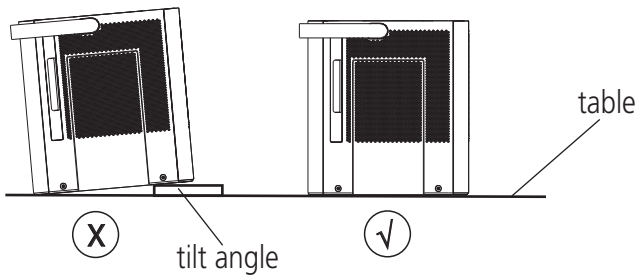
Exit the bucketless mode:

1. Press FILL LEVEL and up to exit
2. Turn off the power

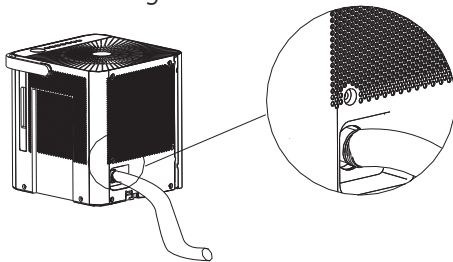
**NOTE:** It may cause an unexpected exit from the bucketless mode when the tank float touches the micro switch (at the bottom of the unit). So please check whether the bottom of the unit is clear under the bucketless mode.

Note:

1. Please make sure the unit is placed on a flat, horizontal table to prevent toppling and sliding. The tilt angle needs to be less than 1 degree.



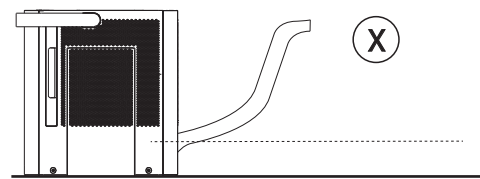
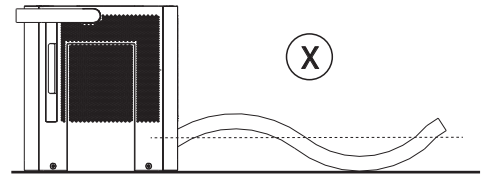
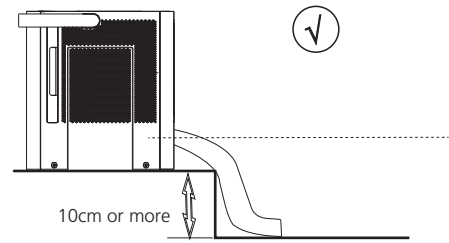
2. Please make sure the tube is properly connected to the drain before entering the bucketless mode.



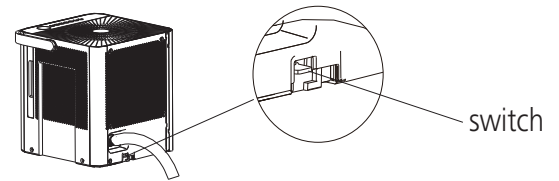
3. The overall height of the tube should be lower than the drain to avoid water backflow and ensure smooth discharge.

**NOTE:** At the Bucketless mode, the height of table is more than 10cm.

Place the end of the hose into the drain area or the container to catch the water.



4. On the Bucketless mode, don't touch the switch or the unit will exit Bucketless mode.



5. Don't move the unit when it is working. Turn off the power and remove the plug before moving the unit.

## Removing the collected water

There are two ways to remove collected water.

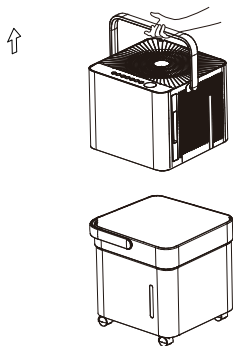
### 1. Use the bucket

- When the unit is off, if the bucket is full, the unit will beep 8 times (on some models) and the LED DISPLAY shows "P2".
- (For some models) When the unit is on, if the bucket is full, the compressor turns off and the fan turns off after 30 seconds for drying the water of the condenser, then the unit will beep 8 times and the LED DISPLAY shows "P2".
- Lift the dehumidifier body handle, separate the dehumidifier body from the tank. Put the dehumidifier body aside.
- Throw away the water from the water outlet and replace the bucket.

#### Note:

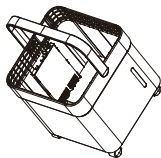
- Lift the water bucket and throw away the water.
- Remove the rubber plug at the bottom of the bucket, drain off the water.
- The machine will re-start when the bucket is restored in its correct position.

### 1. Lift the dehumidifier by the handle, separate the it from the bucket and put it aside.



### 2. Two ways to pour the water out.

Method A: Lift the water bucket and throw away the water.



Method B: Remove the rubber plug at the bottom of the bucket to drain off the water.

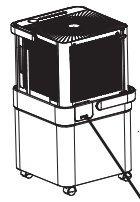


#### Note:

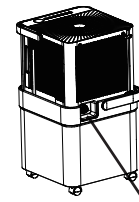
- When you remove the bucket, do not touch any parts inside of the unit. Doing so may damage the product.
- Be sure to insert the dehumidifier body gently all the way into the bucket.
- When you remove the bucket, if there is some water in the unit you must make the unit dry.

### 2. Continuous draining

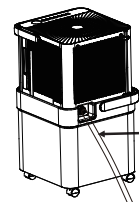
- Water can be automatically emptied into a floor drain by attaching the unit with a water hose (not included).
- Remove the cover located on the back of water bucket, then remove the rubber plug. Attach a drain hose and lead it to the floor drain or a suitable drainage facility.



Remove the cover



Remove the rubber plug



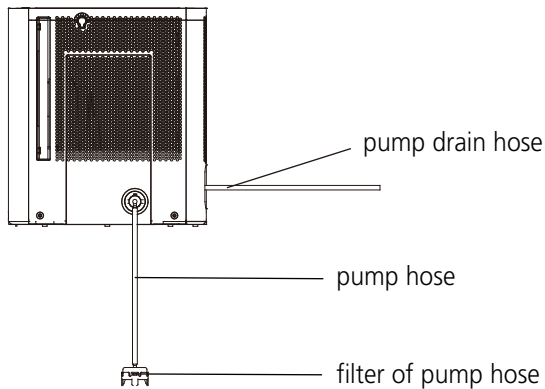
Attach the hose to the drain hose outlet.

- Make sure the hose is secure so there are no leaks.
- Direct the hose toward the drain area, making sure that there are no kinks that will stop the water flowing.
- Place the end of the hose into the drain area and make sure the end of the hose is level or downwards to let the water flow smoothly. Do never let it up.
- Make sure the hose is lower than the drain hose outlet.
- Select the desired humidity setting and fan speed on the unit for continuous draining to start.

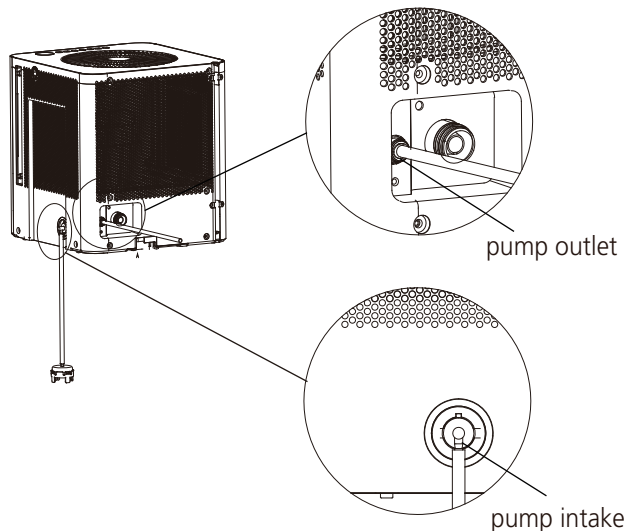
Note: When the continuous drain feature is not being used, remove the drain hose from the outlet, reinstall the rubber plug and cover.

### 3. Pump draining (on some models)

- Water can be automatically emptied into a floor drain or a suitable drainage facility by attaching the pump drain outlet with a pump drain hose (Φod=1/4", supplied).



- Install the pump hose into the pump hose intake of the unit, and rotate it.
- Install the pump drain hose into the pump drain hose outlet for depth of 15mm at least, then lead the water hose to the floor drain or a suitable drainage facility.
- Put the dehumidifier on the bucket again.
- Press and hold on the Up/Down buttons for 2 second to initiate PUMP feature. When the PUMP is activated, the bucket capacity is at the 4th fill level and cannot be selected. The PUMP works only if the bucket is full of water at the 4th fill level.



Note: The pump may cause big noise when it starts to work for 3~5 minutes. It is a normal phenomenon.

- Make sure the hose is secure so there are no leaks.
- Direct the hose toward the drain, making sure that there are no kinks that will stop the water flowing.
- Place the end of the hose into the drain and make sure the end of the hose is level or down to let the water flow smoothly. Do never let it up.

- select the desired humidity setting and fan speed on the unit for pump draining to start.

Note: The pump operation on light blinks at 1Hz when the pump is operational failure. Please turn off the unit and plug the power cord out. Check the following things:

- Cleaning the filter of the pump hose.
- Check that the pump drain hose does not link or back.
- Empty the water of the bucket.
- Reinstall the pump hose if it drops and reinstall the bucket properly. Turn on the unit. If the error repeats, call for service.

Note: Do not use this operation when the outdoor temperature is equal to or less than 0 °C (32 °F), otherwise water is become ice that will cause the water hose blocked up and the unit failure. Make sure to empty the bucket once a week when using the pump draining feature. When the pump draining feature is not being used, remove the pump drain hose from the outlet.

- Press the pump drain hose outlet in and take the pump drain hose out from it. Take the pump hose out from the unit. Make sure do not let the water in the pump hose drip to the floor.

# Care and Maintenance

Care and cleaning of the dehumidifier

Turn the dehumidifier off and remove the plug from the wall outlet before cleaning.

## Clean the Grille and Case

- Use water and a mild detergent. Do not use bleach or abrasives.
- Do not splash water directly onto the main unit. Doing so may cause an electrical shock, cause the insulation to deteriorate, or cause the unit to rust.
- The air intake and outlet grilles get soiled easily, so use a vacuum attachment or brush to clean.

## Clean the bucket

Every few weeks, clean the bucket to prevent growth of mold, mildew and bacteria. Partially fill the bucket with clean water and add a little mild detergent. Swish it around in the bucket, empty and rinse.

Note: Do not use a dishwasher to clean the bucket. After clean, the bucket must be in place and securely seated for the dehumidifier to operate.

## Clean the air filter

The air filter behind the two flanks grille should be checked and cleaned at least every two weeks or more often if necessary.

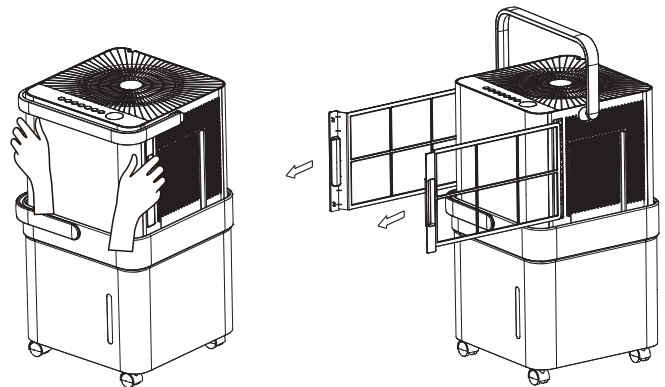
NOTE: DO NOT RINSE OR PUT THE FILTER IN AN AUTOMATIC DISHWASHER.

To remove:

- Grip the handle on the filter and pull it outward.
- Clean the filter with warm, soapy water. Rinse and let the filter dry before replacing it. Do not clean the filter in a dishwasher.

To attach:

- Insert the air filter back into the unit.



### ⚠ CAUTION

DO NOT operate the dehumidifier without a filter because dirt and lint will clog it and reduce performance.

**Note:**The cabinet and front may be dusted with an oil-free cloth or washed with a cloth dampened in a solution of warm water and mild liquid dishwashing detergent. Rinse thoroughly and wipe dry. Never use harsh cleansers, wax or polish on the cabinet front. Be sure to wring excess water from the cloth before wiping around the controls. Excess water in or around the controls may cause damage to the unit.

## When not using the unit for long time periods

- After turning off the unit, wait one day for water collecting before emptying the bucket.
- Clean the main unit, water bucket and air filter.
- Cover the unit with a plastic bag.
- Store the unit upright in a dry, well-ventilated place.

# Troubleshooting Tips

**Before calling for service, review the chart below first yourself.**

Problem	What to check
Unit does not start	<ul style="list-style-type: none"><li>· Make sure the dehumidifier's plug is pushed completely into the outlet.</li><li>· Check the house fuse/circuit breaker box.</li><li>· Dehumidifier has reached its preset level or bucket is full.</li><li>· Water bucket is not in the proper position.</li></ul>
Dehumidifier does not dry the air as it should	<ul style="list-style-type: none"><li>· Did not allow enough time to remove the moisture.</li><li>· Make sure there are no curtains, blinds or furniture blocking the front or back of the dehumidifier.</li><li>· The humidity control may not be set low enough.</li><li>· Check that all doors, windows and other openings are securely closed.</li><li>· Room temperature is too low, below 5 °C(41° F).</li><li>· There is a kerosene heater or something giving off water vapor in the room.</li></ul>
The unit makes a loud noise when operating	<ul style="list-style-type: none"><li>· The air filter is clogged.</li><li>· The unit is tilted instead of upright as it should be.</li><li>· The floor surface is not level.</li></ul>
Frost appears on the coils	<ul style="list-style-type: none"><li>· This is normal. The dehumidifier has Auto defrost feature.</li></ul>
Water on floor	<ul style="list-style-type: none"><li>· Hose to connector or hose connection may be loose.</li><li>· Intend to use the bucket to collect water, but the back drain plug is removed.</li></ul>
EH60, EH61, EH0b, Eb or P2 appear in the display	<ul style="list-style-type: none"><li>· These are error codes and protection codes. See the CONTROL PADS ON THE DEHUMIDIFIER section.</li></ul>

# App Instructions

## Declaration of Conformity

We hereby declare that this Dehumidifier is in compliance with the essential requirements and other relevant provisions of Directive 1999/5/EC.

## Specification of Wireless Module

<b>Model:</b> US-OSK103	<b>Dimensions:</b> 41 x 24 x 5 (mm)
<b>Standard:</b> IEEE 802.11 b/g/n	<b>Operation Temperature:</b> 0°C ~ 45°C / 32°F ~ 113°F.
<b>Antenna Type:</b> External omnidirectional Antenna	<b>Operation Humidity:</b> 10% ~ 85%
<b>Frequency:</b> 2.4 GHz (wireless)	<b>Power Input:</b> DC 5V/300 mA
<b>Maximum Transmitted Power:</b> 19.8 dBm Max	

## Precautions

1. Supports operating systems: iOS 7+ or Android 4+.
2. In the event of a OS update, there may be a delay between the update of the OS and a related software update during which your OS may or may not be supported until a new version is released. Your specific mobile phone or problems in your network may prevent the system from working and Midea will not be responsible for any problems that could be caused by incompatibility or network issues.
3. This Smart Dehumidifier only supports WPA-PSK/WPA2-PSK (recommended) encryption.
4. To ensure proper scanning of the QR code, your smart phone must have at least a 5-megapixel camera.
5. Due to unstable network connectivity, requests may time out. If this happens, re-run the network configuration.
6. Due to unstable network connectivity, commands may time out. If this happens, the smartphone app and the actual product may display conflicting information. The information displayed on the actual product is always the most accurate available. Refresh the app to re-sync.

## NOTICE

Midea will not be responsible for any problems that could be caused by incompatibility or network issues, your wireless router and mobile phone.

## System Overview

### Devices required to use the Smart Dehumidifier:

1. Smart Phone with compatible iOS or Android system.
2. Wireless Router
3. Smart Dehumidifier

## Download and Install the App

Android QR code



Apple QR code



Scan to download app.

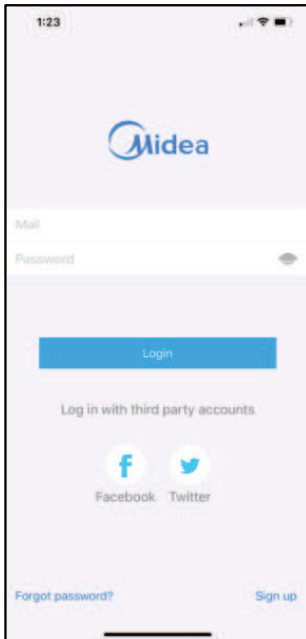
- You can also go to Google Play or App Store and search for Midea Air.

### NOTICE

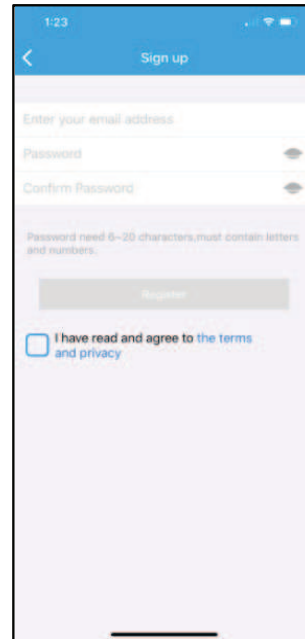
All the images in this manual are for reference only, your product and app may look slightly different. The actual product and app instructions have to be considered.

## Create Your Account

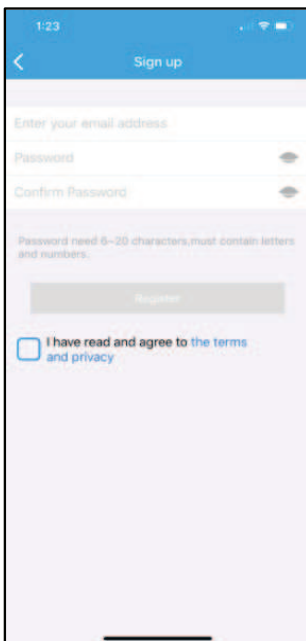
- Make sure your smartphone is connected to your wireless router and your wireless router has a working 2.4GHz internet connection.
- It is recommended to activate your account immediately to be able to recover your password by email.



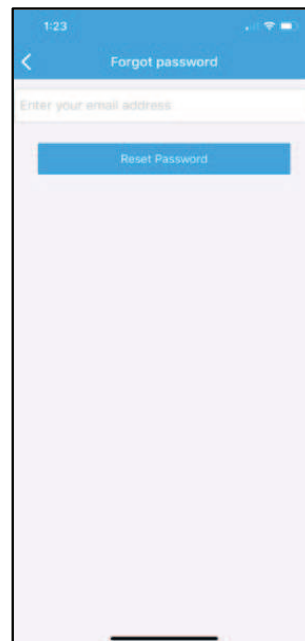
1. Press "Sign Up".



2. Enter your email address and password.



3. Press "Registration".



4. If you forget your password, press "Forgot password?" on the main menu and enter your email address. Then press "Reset Password".

### NOTICE

- Make sure your smartphone is able to connect to the wireless network which will be used.
- Make sure also that the device is not connecting to other networks in range.

## Additional App and Smart Home Functions

For additional instructions regarding the features of the app and Smart Home skill capabilities, scan the QR code below.



# WARRANTY

These products have been made to quality standards and are guaranteed for domestic use against manufacturing faults.

One (1) year full warranty from original purchase date and limited 2nd through 5th year sealed system warranty if used for normal domestic purposes.

This warranty does not affect your statutory rights. In case of any malfunction of your product (failure, missing part, etc.), please contact one of our service technicians at our toll-free service line at 1-866-646-4332 from 8 AM to 6 PM EST, Monday to Friday, and 8 AM to 4 PM EST, Saturday. Midea reserves the right to repair or replace the defective product, at its discretion.

Any warranty is invalid if the product has been overloaded or subject to neglect, improper use or an attempted repair other than by an authorized agent. Heavy-duty or daily professional/commercial usage are not guaranteed. Due to continuous product improvement, we reserve the right to change product specifications without prior notice.

For instructions on how to properly drain Freon, please contact our customer service at 1-866-646-4332. Thank you.



make yourself at home

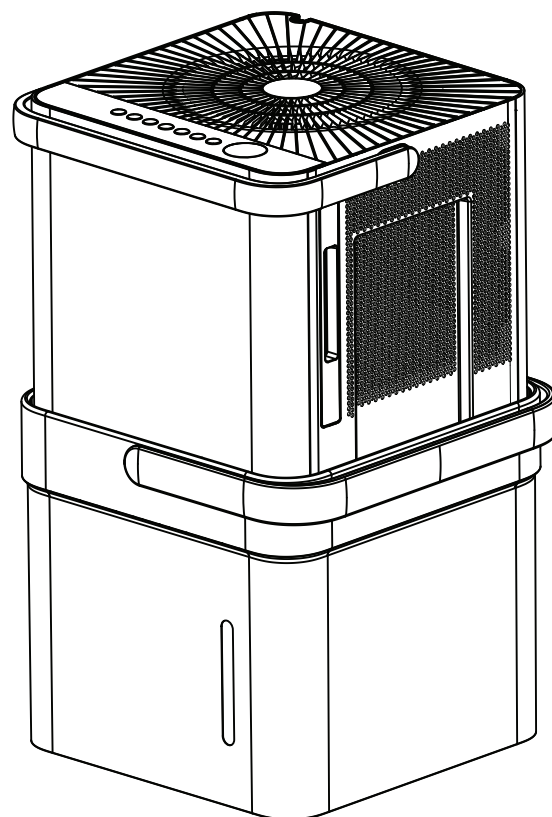
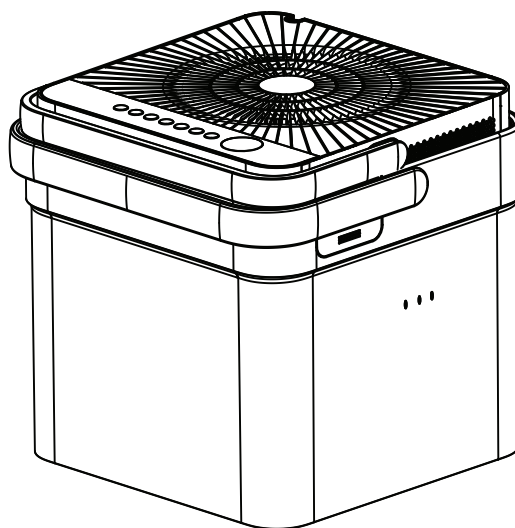


FR

## MANUAL D'UTILISATION

Déshumidificateur

TENSION 115V,60Hz



Avis d'avertissement : Avant d'utiliser ce produit, veuillez lire ce manuel attentivement et le garder pour référence future. La conception et les spécifications sont soumises à des changements sans préavis pour améliorer le produit.

version A - 12 - 2020

MAD50PS1QGRC

[www.midea.com](http://www.midea.com)

# Table des Matières

Mesures de Sécurité	1
Préparation	3
Consignes de Fonctionnement	5
Entretien et Maintenance	11
Conseils de Dépannage	12
Instructions des Apps	13

# Mesures de Sécurité

Veillez lire attentivement les Mesures de Sécurité avant l'installation et l'utilisation

Les instructions suivantes doivent être suivies scrupuleusement afin d'éviter les dommages matériels, les blessures ou le décès de l'utilisateur ou des tiers. Une utilisation incorrecte du fait du non-respect des consignes peut entraîner mort, blessures ou dommages.



## ATTENTION

Ce symbole indique la probabilité de blessure ou de décès de l'utilisateur.



## AVERTISSEMENT

Ce symbole indique la probabilité de dommages matériels ou de conséquences graves.



## ATTENTION

- Ne pas dépasser la tension de la prise de courant ou du dispositif de connexion.
- Ne pas allumer ou éteindre l'appareil en allumant ou coupant le courant.
- Ne pas endommager ou utiliser un câble d'alimentation non mentionné
- Ne pas modifier la longueur du câble d'alimentation et ne pas partager la prise avec d'autres appareils.
- Ne pas manipuler la prise avec les mains humides
- Ne pas installer l'appareil dans un endroit où il puisse être exposé à des gaz inflammables.
- Ne pas placer l'appareil à côté d'une source de chaleur.
- Coupez l'alimentation si des bruits ou odeurs étranges s'échappent de l'appareil.
- Vous ne devez en aucun cas réparer ou démonter l'appareil par vous-même.
- Avant l'entretien, coupez le courant et débranchez l'appareil.
- N'utilisez pas l'appareil près de gaz inflammables ou combustibles tels qu'essence, benzène ou dissolvant, etc.
- Ne pas boire ni utiliser l'eau qui vient d'être drainée de l'appareil.
- Ne pas enlever le baquet d'eau de l'appareil pendant son fonctionnement.
- Ne pas utiliser l'appareil dans des espaces confinés.
- Placez l'appareil sur une partie stable et solide du sol.
- Ne pas recouvrir l'entrée ou la sortie d'air avec des vêtements ou serviettes.
- Une attention particulière devra être apportée lors de l'utilisation de l'appareil dans une pièce où il y a des nourrissons, enfants, personnes âgées ou insensible à l'humidité.
- Ne pas utiliser l'appareil où des produits chimiques sont employés.
- Ne pas insérer vos doigts ou autres objets à travers les grilles ou autres ouvertures.
- Ne pas mettre d'objets lourds sur le câble d'alimentation et faites attention à ce le câble ne soit pas comprimé.
- Ne pas monter ni s'asseoir sur l'appareil.
- Veillez à toujours insérer les filtres correctement. Nettoyez-les toutes les deux semaines.
- Si de l'eau s'infiltré dans le produit, veuillez éteindre l'appareil et le débrancher, contactez ensuite un technicien qualifié.
- Ne pas placer de vases de fleurs ou autres récipients contenant de l'eau sur l'appareil.
- Ne pas utiliser de rallonge.

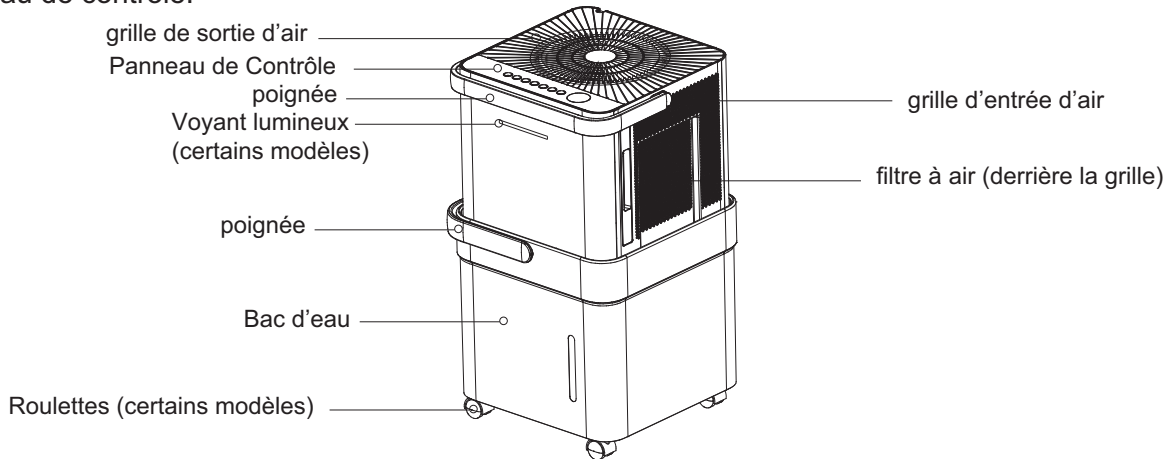
**AVERTISSEMENT**

- Cet appareil n'est pas destiné à être utilisé par des personnes (y compris les enfants) ayant capacités motrices, sensorielles ou mentales réduites ou ayant un manque d'expérience et de connaissances, à moins qu'elles bénéficient d'une supervision ou d'une instruction adéquate, par une personne responsable de leur sécurité, quant à l'utilisation de l'appareil. (Valable pour d'autres pays que les pays européens)
- Si le câble d'alimentation est endommagé, il doit être remplacé par le fabricant, ses techniciens ou des personnes d'une qualification similaire pour éviter tout danger.
- Avant toute opération de nettoyage ou de maintenance, l'appareil doit être débranché de l'alimentation.
- Ne pas installer l'appareil dans un endroit où il pourrait être en contact avec des gaz inflammables. Un risque d'incendie subsiste si de tels gaz sont concentrés autour de l'appareil.
- Si l'appareil est renversé pendant son fonctionnement, veuillez l'éteindre et le débrancher de l'alimentation immédiatement. Inspectez visuellement l'appareil pour vous assurer qu'il n'y ait pas de dommages. Si vous pensez que l'appareil ait été endommagé, contactez un technicien ou le service client pour demander de l'aide.
- Pendant un orage, veuillez à couper l'alimentation pour éviter tous dommages à l'appareil en cas de foudre.
- Ne pas placer le câble sous la moquette. Ne pas couvrir le câble avec des tapis, des patins ou des revêtements similaires. Ne pas faire passer le câble sous les meubles ou d'autres appareils. Disposez le câble hors du passage où dans un endroit où personne ne risque de trébucher.
- Ne pas faire fonctionner l'appareil avec un câble d'alimentation ou une prise d'endommagé. Débarrassez-vous de l'appareil ou envoyez-le à un centre de réparation agréé pour être examiné et / ou réparé.
- L'appareil doit être installé en conformité avec les lois en vigueur sur les installations électriques dans votre pays.
- Contactez un technicien agréé pour la réparation ou maintenance de l'appareil.
- Éteignez l'appareil lorsqu'il n'est pas utilisé.
- Assurez-vous que l'appareil soit correctement relié à la terre. Une mise à la terre appropriée est importante pour limiter les risques d'électrocution et d'incendie. Le câble d'alimentation est équipé d'une prise de terre à trois broches pour la protection contre les risques d'électrocution
- Votre appareil doit être utilisé dans une boîte encastrée correctement mise à la terre. Si la boîte encastrée que vous souhaitez utilisée n'est pas correctement reliée à la terre ou protégée par un fusible temporisé ou un disjoncteur (veuillez vous reporter à la plaque signalétique des données électriques), contactez un électricien qualifié pour installer une boîte adéquate.

# Préparation

## Identification des Pièces

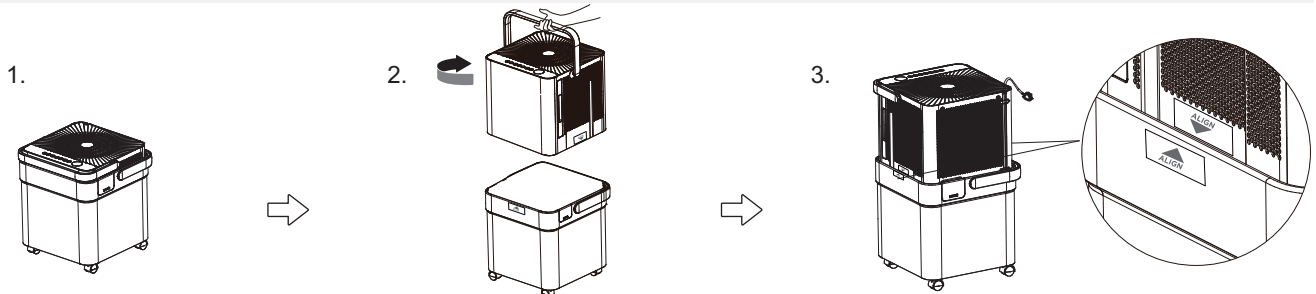
REMARQUE : Toutes les illustrations de ce manuel sont uniquement à but explicatif. Votre appareil peut comporter quelques différences. La forme réelle prévaut. L'appareil peut être commandé via le panneau de contrôle.



## Consignes d'Installation

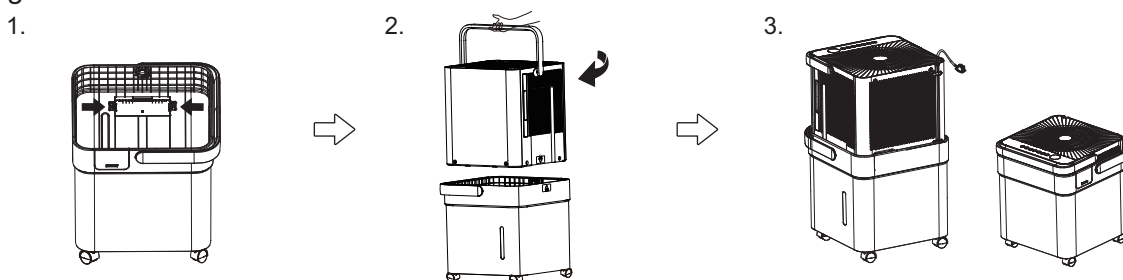
1. Sortez le déshumidificateur de sa boîte.
2. Saisissez les poignées et soulevez le déshumidificateur, sortez le câble d'alimentation et faites une rotation de 90° dans le sens inverse des aiguilles.
3. Placez le déshumidificateur dans le bac d'eau en douceur en respectant les consignes d'alignement jusqu'au clic. Ne jamais forcez l'installation.

REMARQUE : Pendant le fonctionnement, si vous pressez le cache supérieur et que l'appareil vibre légèrement, ceci est une situation normale.



## Consignes de Stockage

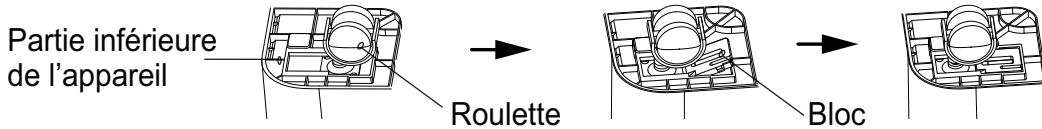
1. Enfoncez la pièce convexe dans le bac d'eau.
2. Soulevez le déshumidificateur par les poignées, faites une rotation de 90°.
3. Installez le câble d'alimentation dans l'emplacement, placez le déshumidificateur dans la boîte pour rangement.



## Installation et désinstallation des Roulettes (certains modèles)

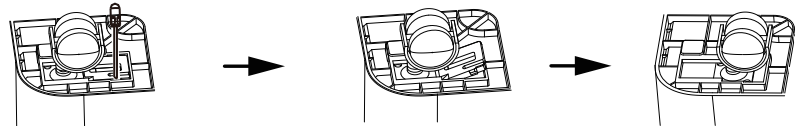
Installation :

1. Fixez les roulettes au-dessous de l'appareil.
2. Utilisez un bloc pour les fixer comme indiqué sur la photo.



**Désassemblage:**

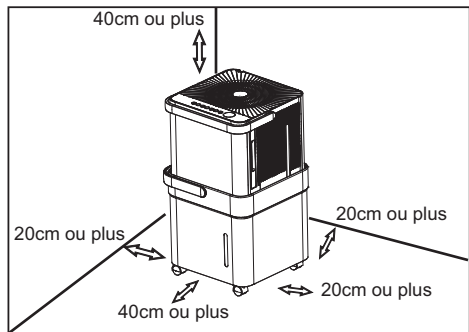
1. Pour retirer les roulettes, utilisez un tournevis pour soutenir le bloc, puis l'enlever.
2. Retirez ensuite la roulette.



**Avis de Conception**

Pour permettre des performances optimales de la part de nos produits, les caractéristiques en termes de conception sont susceptibles de changer sans préavis.

**Placez l'appareil**



**Roulettes (au quatre coins du bas de l'appareil)**

- Les roulettes peuvent bouger librement.
- Ne forcez pas les roulettes à rouler sur des tapis, et ne déplacez pas l'appareil contenant de l'eau dans le bac. (L'appareil pourrait basculer et renverser l'eau qu'il contient)

- Un déshumidificateur en fonctionnement dans un sous-sol aura peu ou pas d'effet sur la déshumidification d'un espace de stockage fermé adjacent, tel qu'un placard, à moins qu'il n'y ait une circulation d'air adéquate dans la pièce.
- Ne pas utiliser en extérieur.

- Ce déshumidificateur est conçu pour un usage domestique en intérieur exclusivement. Ce déshumidificateur ne doit pas être utilisé dans un contexte commercial ou industriel.
- Placez le déshumidificateur sur un sol plat, régulier et assez solide pour supporter le poids de l'appareil rempli d'eau.
- Laissez au moins 20cm d'espace de chaque côté de l'appareil pour une bonne circulation d'air (au moins 40cm d'espace au niveau de la sortie d'air).
- Placez l'appareil dans un endroit où la température ne descendra pas en dessous de 5°C (41°F). Les bobines peuvent se couvrir de givre en cas de température en dessous de 5°C (41°F), ce qui peut réduire les performances.
- Placez l'appareil hors de portée d'appareils tels que sèche-linges et radiateurs.
- Utilisez l'appareil pour éviter les dégâts que peut causer la moisissure notamment là où des livres ou des objets de valeur sont conservés.
- Utilisez le déshumidificateur dans un sous-sol pour éviter les dégâts causés par la moisissure.
- Le déshumidificateur doit être utilisé dans un endroit clos pour être plus efficace.
- Fermez toutes les portes, fenêtres et autres ouvertures extérieures de la pièce.

**Pendant l'utilisation de l'appareil**

- Pendant la première utilisation de l'appareil, faites fonctionner l'appareil pendant 24 heures de suite. Assurez-vous que le cache en plastique qui couvre la sortie du tuyau de vidange soit installé correctement pour éviter toutes fuites.
- Cet appareil est conçu pour fonctionner dans un environnement entre 5°C (41°F) et 32°C (90°F) et entre 30% et 80% (RH).
- Si cet appareil a été éteint et nécessite d'être remis en marche rapidement, laissez environ 3 minutes pour que l'opération normale se déroule. Ne pas brancher le déshumidificateur sur une multiprise qui est également utilisé pour d'autres appareils.

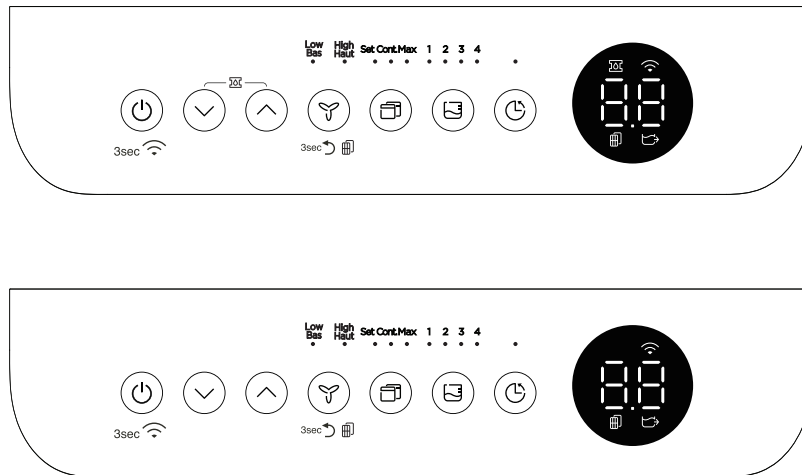
- Choisissez un endroit adéquat, assurez-vous d'avoir un accès pratique à une prise électrique.
  - Branchez l'appareil à une prise électrique reliée à la terre.
  - Assurez-vous que le bac d'eau soit correctement installé, sinon l'appareil ne fonctionnera pas correctement.
- REMARQUE :** Lorsque l'eau dans le bac atteint un certain niveau, veuillez faire attention lorsque vous déplacez la machine pour éviter qu'elle ne tombe.



# Consignes de Fonctionnement

## Fonctionnalités du Panneau de Contrôle

Remarque : Les panneaux de contrôle sont à titre indicatif uniquement. Le panneau de contrôle que vous avez acheté peut être légèrement différent selon le modèle. Votre appareil peut ne pas contenir certains voyants ou boutons. La forme réelle prévaudra.



Voyant	Fonction	Voyant	Fonction
	Voyant sans fil		Voyant Nettoyage de Filtre
	Mode sans bac d'eau		Voyant Pompe (pour le modèle de pompe seulement)

Quand vous pressez le bouton pour changer de mode, l'appareil émettra un bip pour indiquer le changement de mode.

Bouton Allumage

Appuyez pour allumer/éteindre l'appareil.

Remarque : Lorsque le compresseur se met en marche ou s'arrête, l'appareil peut faire un peu de bruit, c'est un phénomène normal.

Bouton Mode



Pressez le bouton mode désiré, de Déshumidification Continue, Déshydrateur/Max (dépend des modèles), Déshumidification Intelligente (sur certains modèles) et Paramètres de Déshumidification.


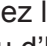
Dans le Mode Paramètres de Déshumidification, sur certains modèles le voyant OK s'allume. Sur certains modèles, l'appareil sans voyant de Paramètres de Déshumidification. Lorsque que le voyant Déshumidification Continue, Déshydrateur, Déshumidification Intelligente s'éteint, l'appareil est paramétré sur le Mode Déshumidification

Remarque : En mode Déshumidification Continue, Déshydrateur, Déshumidification Intelligente, les paramètres d'humidité ne peuvent pas être modifiés.

Mode sans Bac d'eau (sur certains modèles) +   
Le déshumidificateur peut être utilisé sans bac d'eau. Lorsque l'appareil est allumé, l'écran LED indique « Eb ». Maintenez le pour bouton NIVEAU DE REMPLISSAGE et le bouton HAUT pendant 3 secondes en 3 minutes pour résoudre la panne « Eb », et le voyant du Mode sans Bac s'allume. Maintenez le bouton NIVEAU DE REMPLISSAGE et le bouton Haut pour sortir du Mode sans Bac, le voyant correspondant s'éteint.

Remarque : En Mode sans Bac d'eau, l'appareil doit fonctionner avec un tuyau pour drainer l'eau. En Mode sans Bac d'eau, la capacité du bac ne peut pas être sélectionnée et l'appareil ne peut pas activer la fonction POMPE.

Boutons HAUT (^)/BAS(v)  

· Boutons de Réglage de l'Humidité  
En choisissant le mode Déshumidification, Le niveau d'humidité peut être réglée entre 35% et 85% RH (Humidité Relative) avec des augmentations de 5%. Maintenez le bouton  pour faire diminuer le niveau d'humidité. Maintenez le bouton  pour faire augmenter le niveau d'humidité.

Bouton Ventilateur 

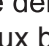



Contrôle la vitesse du ventilateur. Pressez pour sélectionner la vitesse du ventilateur selon 3 paramètres-faible, moyen et fort. (Sur certains modèles, la vitesse du ventilateur ne peut être réglée qu'entre 2 paramètres-faible et fort.) Le voyant de vitesse du ventilateur s'allume en fonction des différents paramètres de vitesse du ventilateur. Maintenez le bouton Ventilateur pendant 3 secondes pour enlever le rappel du filtre, lorsque le voyant filtre clignote (Sur certains modèles).

Remarque : L'appareil fonctionne pendant 250 heures, puis le rappel de nettoyage du filtre apparaît.

Bouton NIVEAU DE REMPLISSAGE 

Contrôle la capacité du bac d'eau. Pressez pour sélectionner la capacité du bac d'eau selon 4 paramètres-1, 2, 3 et 4. Lorsque vous activez la fonction de pompe, le voyant de la pompe s'allume et la capacité du bac d'eau sera sur 4.



Bouton Minuterie 

- Appuyez pour lancer le démarrage ou l'arrêt automatique associé aux boutons  et . Lorsque l'appareil est allumé, appuyez sur le bouton Minuterie pour activer la fonction d'arrêt automatique. Lorsque l'appareil est éteint, appuyez sur ce bouton pour activer la fonction de démarrage automatique.
- Maintenez le bouton  et  pour changer l'horaire par plage de 30 minutes, jusqu'à 10 heures, puis par plage de 1 heure jusqu'à 24 heures.
- La commande fera un compte à rebours jusqu'au démarrage de l'appareil
- L'heure sélectionnée s'enregistrera dans 5 secondes et le système reviendra automatiquement pour afficher le réglage d'humidité précédent.
- Allumer ou éteindre l'appareil à tout moment ou régler la minuterie sur 0.0 annulera la fonction de démarrage ou d'arrêt automatique.
- Lorsque l'écran LED affiche le code P2, la fonction de démarrage ou d'arrêt automatique sera également annulé.

Fonction POMPE (sur certains modèles)  + 

Maintenez les boutons Haut/Bas pendant 2 secondes pour lancer la fonction POMPE. Maintenez à nouveau les boutons Haut/Bas pendant 2 secondes pour arrêter la fonction POMPE. Allumez la fonction POMPE, la capacité du bac à eau ne peut pas être sélectionnée et la capacité est automatiquement réglée sur 4.

Remarque : Lorsque la fonction POMPE est activée, elle fonctionne lorsque le bac à eau est plein et réglé sur 4.

Bouton Sans Fil (sur certains modèles)  

Maintenez le bouton POWER pendant 3 secondes pour lancer le mode de connexion Sans Fil. L'écran LED indique 'AP' pour indiquer que vous pouvez lancer la connexion Sans Fil. Si la connexion (router) est établie dans les 8 minutes, l'appareil quittera automatiquement le mode de Connexion Sans Fil et le voyant Sans Fil s'allume et l'appareil se connectera à la fonction précédente. Si la connexion échoue dans les 8 minutes, l'appareil quittera automatiquement le mode de Connexion Sans Fil.

## Ecran

Indique le pourcentage d'humidité sélectionné de 35% à 85% ou l'heure automatique de démarrage/d'arrêt (0~24) pendant le réglage, indique ensuite le pourcentage d'humidité de la pièce ( $\pm 5\%$  de précision) entre 30% et 90% RH (Humidité Relative).

## Codes d'Erreurs:

EH60-Erreur Capteur de Température ambiante -- Débranchez l'appareil et rebranchez-le. Si l'erreur se répète, appelez le service après-vente;  
EH61-Erreur Sonde de Température de l'évaporateur -- Débranchez l'appareil et rebranchez-le. Si l'erreur se répète, appelez le service après-vente;  
EH0b-Erreur de communication entre l'écran de contrôle et la carte-mère principale. Débranchez l'appareil et rebranchez-le. Si l'erreur se répète, appelez le service après-vente;

Codes de protection :

P2 - Le bac d'eau est plein. - Videz le bac et replacez-le dans la bonne position.

Eb - Dysfonctionnement du bac d'eau - Replacez le bac dans la bonne position pour résoudre le dysfonctionnement.

Remarque : Lorsqu'un des dysfonctionnements ci-dessus se produit, mettez l'appareil hors tension et vérifiez s'il y a des obstacles. Redémarrez l'appareil, si le dysfonctionnement est toujours présent, éteignez l'appareil et débranchez la prise électrique. Contactez le fabricant ou ses agents de services ou une personne qualifiée similaire pour le service de support.

## Autres caractéristiques

### Dégivrage automatique

Lorsque le givre s'accumule sur les serpentins de l'évaporateur, le compresseur s'arrête tandis que le ventilateur continue de fonctionner jusqu'à ce que le givre disparaisse.

Remarque : Lorsque le dégivrage automatique est en cours, la machine peut émettre un bruit de liquide réfrigérant, c'est normal.

### Arrêt automatique

Le déshumidificateur s'arrête lorsque le bac d'eau est plein. Pour certains modèles, le moteur du ventilateur va continuer de fonctionner pendant 30 secondes. Attendez 3 minutes avant de reprendre l'utilisation. Une fois que l'appareil s'est arrêté, il ne pourra pas être redémarré dans les 3 minutes qui suivent. Cela a pour but de protéger l'appareil. L'appareil reprendra automatiquement l'opération après 3 minutes.

### Redémarrage automatique

Si l'appareil s'est arrêté en raison d'une coupure de courant, il redémarrera automatiquement sur le réglage de fonction précédent, lorsque l'alimentation reprendra.

### Mode de déshumidification continue

En mode de déshumidification continue, l'appareil déshumidifie en continu et il n'est pas possible de régler la valeur de l'humidité. Appuyez sur le bouton Mode pour quitter le mode de déshumidification continue.

### Mode de déshumidification intelligent (sur certains modèles)

En mode de déshumidification intelligent, l'appareil contrôle automatiquement l'humidité de la pièce dans une plage confortable comprise entre 45% à 55% en fonction de la température ambiante. Le réglage de la valeur de l'humidité sera désactivé.

### Mode de déshumidification sur réglage

En mode de déshumidification sur réglage, l'appareil peut être réglé dans une plage de 35% à 85% et la valeur de l'humidité peut être ajustée (augmentée ou diminuée) de 5%. Appuyez sur le bouton MODE pour quitter le mode de déshumidification sur réglage.

### Voyant lumineux (sur certains modèles)

Lorsque l'humidité est supérieure à 70%, le voyant lumineux émet une lumière rouge. Lorsque l'humidité est comprise entre 45% et 70%, le voyant lumineux émet une lumière jaune.

Lorsque l'humidité est inférieure à 45%, le voyant lumineux émet une lumière verte.

Le voyant peut être activé ou désactivé en appuyant simultanément sur le bouton Fan et le bouton UP pendant 2 secondes.

### Mode MAX (sur certains modèles)

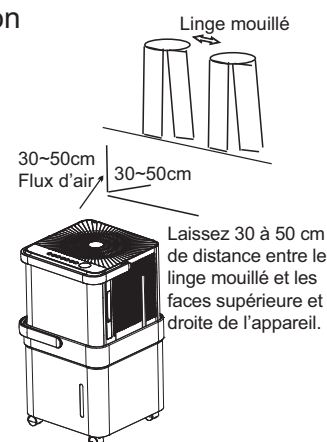
L'appareil peut activer la déshumidification MAX lorsqu'il est en mode MAX. Le ventilateur fonctionne à une vitesse élevée fixe.

### Mode Séchage (sur certains modèles)

L'appareil peut activer la fonction de déshumidification MAX lorsqu'il est en mode Séchage. La vitesse du ventilateur ne peut pas être réglée.

### Remarque :

1. Le mode Séchage / MAX (selon le modèle) doit être utilisé dans une pièce fermée. N'ouvrez pas la porte ni les fenêtres.
2. Pour une déshumidification plus efficace, veuillez d'abord essorer le linge mouillé.
3. Assurez-vous que le flux d'air est orienté vers le linge mouillé.
4. Pour du linge épais et lourd, il se peut que la déshumidification ne soit pas optimale.



**Mode sans bac (sur certains modèles)**

Le déshumidificateur peut être utilisé sans bac d'eau lorsque qu'il est réglé en mode sans bac. En mode sans bac, l'appareil n'indiquera pas bac plein, par conséquent, il est recommandé de :

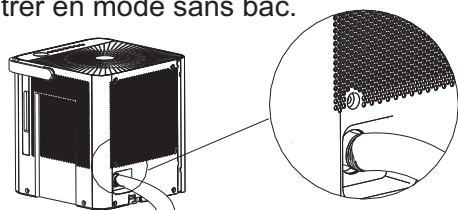
1. Vérifier si le tuyau est correctement installé ;
2. Placer l'extrémité de sortie du tuyau à un endroit qui ne risquera pas de déborder, comme un évier ou un lavabo ;
3. Ne pas placer l'extrémité de sortie du tuyau dans un récipient de capacité limitée, sinon l'eau pourrait déborder sur le sol.

Pour quitter le mode sans bac :

Remarque : Lorsque le flotteur du réservoir touche le micro-interrupteur (en bas de l'appareil), cela peut provoquer une sortie du mode sans bac. Veuillez donc vérifier si le bas de l'appareil est dégagé en mode sans bac.

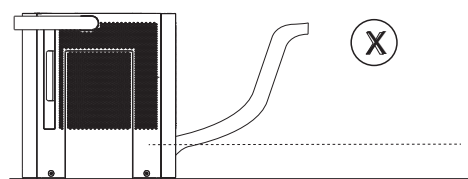
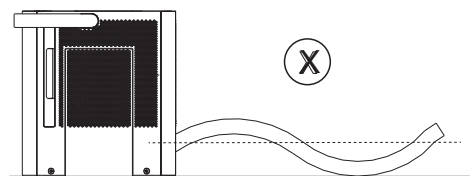
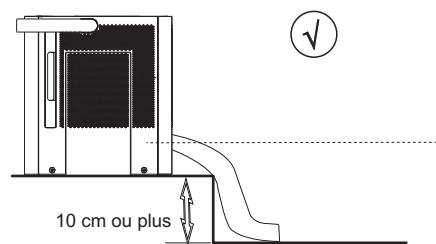
Remarque :

2. Veuillez vous assurer que le tuyau est correctement relié au raccord de décharge avant d'entrer en mode sans bac.

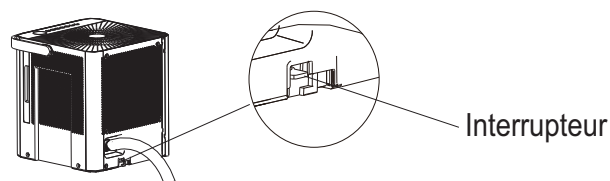


3. L'ensemble du tuyau doit être plus bas que le raccord de décharge pour éviter le refoulement de l'eau et assurer une décharge fluide.

Remarque : En mode sans bac, la hauteur de la table doit être supérieure à 10 cm. Placez l'extrémité de sortie du tuyau dans un endroit de vidange ou dans un récipient pour récupérer l'eau.



4. En mode sans bac, ne touchez pas l'interrupteur, sinon l'appareil sortira du mode sans bac.



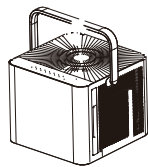
5. Ne déplacez pas l'appareil pendant qu'il fonctionne. Éteignez l'appareil et enlevez la prise électrique avant de déplacer l'appareil.

## Extraire l'eau collectée

Il y a deux moyens d'extraire l'eau collectée.

Remarque :

Remarque :

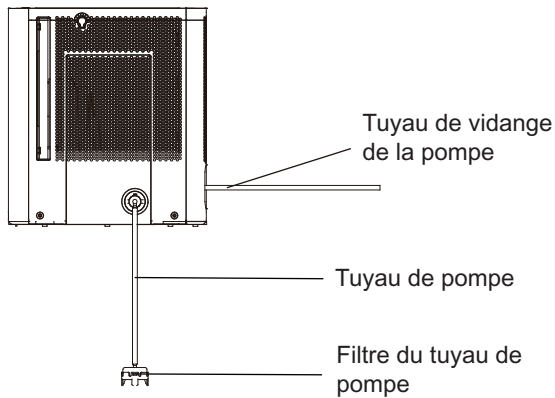


Retirez le bouchon  
en caoutchouc

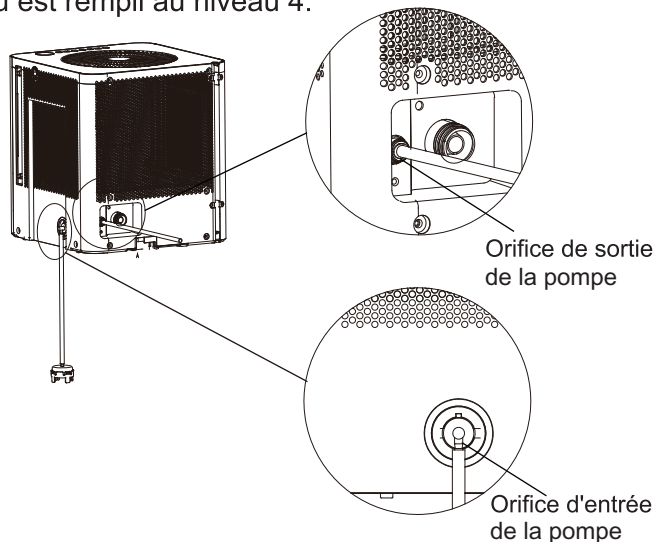
Fixez le  
tuyau à la  
sortie de  
vidange.

### 3. Vidange de la pompe (sur certains modèles)

- L'eau peut être automatiquement évacuée dans un siphon de sol ou une décharge appropriée en reliant la sortie de vidange de la pompe à un tuyau de vidange  $\Phi_{od}=1/4"$ , fourni avec l'appareil).



- Installez le tuyau de pompe sur l'orifice d'entrée de la pompe et tournez-le.
- Installez le tuyau de vidange sur la sortie de vidange de la pompe en l'insérant d'au moins 15 mm, puis dirigez-le vers le siphon de sol ou une décharge appropriée.
- Remettez le déshumidificateur sur le bac d'eau.
- Appuyez sur les boutons Up/Down et maintenez-les enfoncés pendant 2 secondes pour activer la fonction POMPE. Lorsque la fonction POMPE est activée, la capacité du bac d'eau est au niveau 4 et ne peut pas être réglée. La POMPE ne fonctionne que si le bac d'eau est rempli au niveau 4.



Remarque : La pompe peut faire beaucoup de bruit pendant 3 à 5 minutes lorsqu'elle commence à fonctionner. C'est un phénomène normal.

- Assurez-vous que le tuyau est bien fixé afin qu'il n'y ait aucune fuite.
- Dirigez le tuyau vers la décharge, en vous assurant qu'il n'y a pas de plis qui empêcheraient l'eau de s'écouler.
- Placez l'extrémité du tuyau dans la décharge et assurez-vous que l'extrémité du tuyau est de niveau ou inclinée vers le bas pour permettre à l'eau de bien s'écouler. Ne la laissez jamais orientée vers le haut.

- Sélectionnez le réglage d'humidité et la vitesse du ventilateur souhaités sur l'appareil pour démarrer la vidange de la pompe.

Remarque : Le voyant de la pompe clignote à 1 Hz lorsque la pompe est en panne. Veuillez éteindre l'appareil et débrancher la prise électrique. Vérifiez les éléments suivants :

- Nettoyez le filtre du tuyau de pompe.
- Vérifiez que le tuyau de vidange de la pompe ne présente pas de fuites ou de plis.
- Videz l'eau du bac.
- Réinstallez le tuyau de la pompe s'il est sorti et réinstallez correctement le bac d'eau. Allumez l'appareil. Si l'erreur réapparaît, appelez le service de support.

Remarque : N'utilisez pas cette fonction lorsque la température extérieure est égale ou inférieure à 0 °C (32 °F), sinon l'eau gèlera, ce qui entraînera l'obstruction du tuyau d'eau et la panne de l'appareil. Assurez-vous de vider le bac d'eau une fois par semaine lorsque vous utilisez la fonction de vidange de la pompe. Lorsque la fonction de vidange de la pompe n'est pas utilisée, retirez le tuyau de vidange.

- Appuyez sur la sortie de vidange de la pompe et retirez le tuyau de vidange de la pompe. Retirez le tuyau de pompe de l'appareil. Veillez à ne pas laisser l'eau du tuyau de pompe s'égoutter sur le sol.

# Entretien et maintenance

Entretien et nettoyage du déshumidificateur

Éteignez le déshumidificateur et enlevez la prise électrique avant le nettoyage.

## Clean the Grille and Case

- Utilisez de l'eau et un détergent doux. N'utilisez pas d'eau de javel ou d'abrasifs.
- Ne pas projeter d'eau directement sur la partie principale de l'appareil. Cela pourrait provoquer un choc électrique, endommager l'isolation ou entraîner la rouille de l'appareil.
- Les grilles d'entrée et de sortie d'air se salissent facilement, utilisez un dispositif d'aspiration ou une brosse pour les nettoyer.

## Nettoyer le bac d'eau

Nettoyez le bac d'eau toutes les quelques semaines, pour empêcher la prolifération de moisissures et de bactéries. Remplissez partiellement le bac avec de l'eau propre et ajoutez un peu de détergent doux. Tournez l'eau dans le bac, videz-le et rincez.

Remarque : Ne passez pas le bac d'eau au lave-vaisselle. Après le nettoyage, le bac d'eau doit être remis en place et solidement installé pour que le déshumidificateur fonctionne.

## Nettoyer le filtre à air

Le filtre à air derrière la grille à deux vantaux doit être vérifié et nettoyé au moins toutes les deux semaines ou plus souvent si nécessaire.

**REMARQUE : NE PAS PASSER LE FILTRE À AIR AU LAVE-VAISSELLE.**

Pour retirer le filtre :

- Attrapez la poignée du filtre et tirez-le vers l'extérieur.
- Nettoyez le filtre à l'eau tiède savonneuse. Rincez et laissez sécher le filtre avant de le réinstaller. Ne passez pas le filtre au lave-vaisselle.

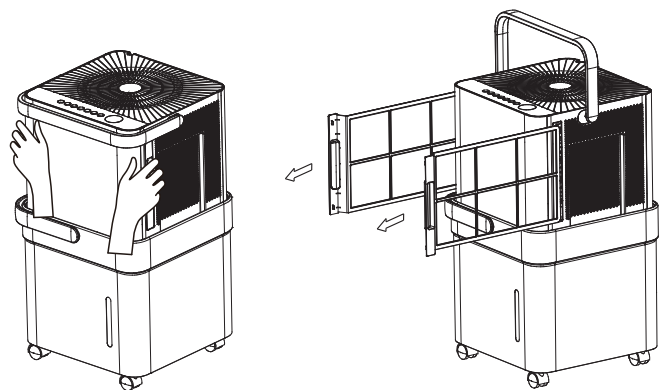
Pour réinstaller le filtre :

- Réinsérez le filtre à air dans l'appareil.



### AVERTISSEMENT

NE PAS faire fonctionner le déshumidificateur sans filtre car les peluches et les poussières le boucheront et réduiront ses performances.



Remarque : Le boîtier et le devant peuvent être dépoussiérés avec un chiffon non gras ou être nettoyés avec un chiffon imbibé d'une solution d'eau tiède et de liquide vaisselle doux. Rincez abondamment et essuyez. N'utilisez jamais de nettoyeurs agressifs, de cire ou de vernis sur le devant du boîtier. Veillez à essorer le chiffon avant d'essuyer autour des boutons de commande. Un excès d'eau dans ou autour des boutons de commande peut endommager l'appareil.

## Lorsque l'appareil ne sera pas utilisé pendant une longue période

- Après avoir éteint l'appareil, attendez un jour avant de vider le bac d'eau, afin de récupérer toute l'eau.
- Nettoyez la partie principale, le bac d'eau et le filtre à air.
- Couvrez l'appareil avec un sac en plastique.
- Gardez l'appareil en position verticale dans un endroit sec et bien ventilé.

## Conseils de dépannage

Avant d'appeler le service de support, vérifiez d'abord vous-même les éléments du tableau ci-dessous.

Problèmes	Ce qu'il faut vérifier
L'appareil ne démarre pas.	<ul style="list-style-type: none"><li>• Assurez-vous que la fiche du déshumidificateur est entièrement enfoncée dans la prise.</li><li>• Vérifiez la boîte à fusibles / disjoncteurs de la maison.</li><li>• Le déshumidificateur a atteint son niveau pré-réglé ou le bac d'eau est plein.</li><li>• Le bac d'eau n'est pas correctement installé.</li></ul>
Le déshumidificateur ne sèche pas l'air comme il le devrait.	<ul style="list-style-type: none"><li>• Il faudrait plus de temps pour éliminer l'humidité.</li><li>• Assurez-vous qu'aucun rideau, store ou meuble ne bloque l'avant ou l'arrière du déshumidificateur.</li><li>• La valeur de l'humidité n'est peut-être pas réglée suffisamment basse.</li><li>• Vérifiez que toutes les portes, fenêtres et autres ouvertures sont bien fermées.</li><li>• La température ambiante est trop basse, inférieure à 5 °C (41 °F).</li><li>• Il y a un radiateur au kérosène ou autre objet qui dégage de la vapeur d'eau dans la pièce.</li></ul>
L'appareil fait un bruit fort lors de son fonctionnement.	<ul style="list-style-type: none"><li>• Le filtre à air est obstrué.</li><li>• L'appareil est incliné au lieu d'être droit comme il devrait l'être.</li><li>• La surface du sol n'est pas de niveau.</li></ul>
Du givre apparaît sur les serpentins.	<ul style="list-style-type: none"><li>• C'est normal. Le déshumidificateur est doté d'une fonction de dégivrage automatique.</li></ul>
Il y a de l'eau sur le sol.	<ul style="list-style-type: none"><li>• Le tuyau ou le raccord du tuyau est peut-être desserré.</li><li>• Le bac d'eau est censé récupérer l'eau, mais le bouchon de vidange arrière est retiré.</li></ul>
L'écran affiche EH60, EH61, EH0b, Eb ou P2.	Ce sont des codes d'erreur et des codes de protection. Voir la section COMMANDES DE CONTRÔLE SUR LE DÉSHUMIDIFICATEUR.

# Instruction des Apps

## Déclaration de Conformité

Nous déclarons par la présente que ce déshumidificateur est conforme aux exigences essentielles et aux autres dispositions pertinentes de la directive 1999/5 / CE.

## Caracteristiques du Module Sans Fil

Modèle: US-OSK103	Dimensions: 41 x 24 x 5 (mm)
Norme: IEEE 802.11 b/g/n	Température de Fonctionnement: 0°C ~ 45°C / 32°F ~ 113°F
Type d'Antenne: Antenne omnidirectionnelle externe	Humidité de fonctionnement: 10% ~ 85%
Fréquence: 2.4 GHz (sans fil)	Alimentation Electrique: DC 5V/300 mA
Puissance Transmise Maximale: 19.8 dBm Max	

## Precautions

1. Prend en charge les systèmes d'exploitation: iOS 7+ ou Android 4+.
2. Dans le cas d'une mise à jour du système d'exploitation, il peut y avoir un délai entre la mise à jour du système d'exploitation et une mise à jour logicielle associée pendant lequel votre système d'exploitation peut ou non être pris en charge jusqu'à ce qu'une nouvelle version soit publiée. Votre téléphone mobile spécifique ou des problèmes dans votre réseau peuvent empêcher le système de fonctionner et Midea ne sera pas responsable des problèmes qui pourraient être causés par une incompatibilité ou des problèmes de réseau.
3. Ce Climatiseur Intelligent ne prend uniquement en charge le cryptage WPA-PSK / WPA2-PSK (recommandé).
4. Pour garantir une lecture correcte du code QR, votre smartphone doit avoir au moins un appareil photo de 5 mégapixels.
5. En raison d'une connectivité réseau instable, les demandes peuvent expirer. Si cela se produit, relancer la configuration réseau.
6. En raison d'une connectivité réseau instable, les commandes peuvent expirer. Si cela se produit, l'application pour smartphone et le produit réel peuvent afficher des informations contradictoires. Les informations affichées sur le produit réel sont toujours les plus précises disponibles. Actualisez l'application pour la resynchroniser.

## REMARQUE

Midea ne sera pas responsable des problèmes qui pourraient être causés par une incompatibilité ou des problèmes de réseau, votre routeur sans fil et votre téléphone portable.

## Présentation du Système

Appareils requis pour utiliser le Déshumidificateur Intelligent:

1. Smartphone avec système iOS ou Android compatible.
2. Routeur sans fil
3. Déshumidificateur Intelligent

## Télécharger et Installer L'application

QR Code pour Android



QR Code pour Apple



Scannez pour télécharger l'application mobile.

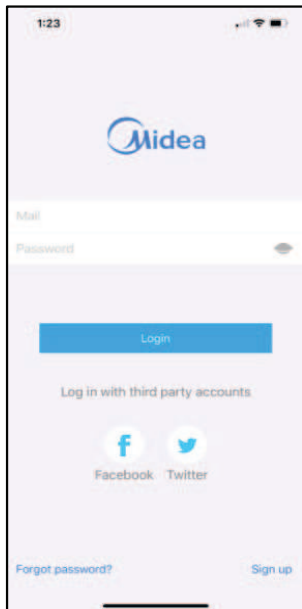
- Vous pouvez également aller sur Google Play ou App Store et rechercher Midea Air

### REMARQUE

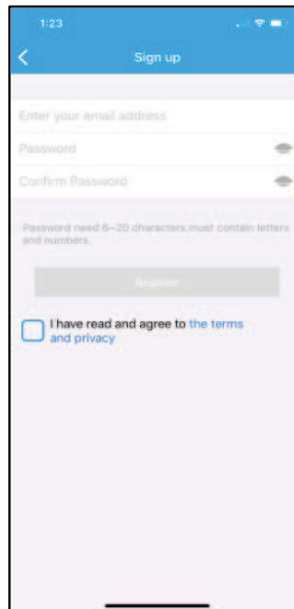
Toutes les images de ce manuel sont à titre indicatif uniquement, votre produit et votre application peuvent être légèrement différents. Les instructions réelles du produit et de l'application doivent être prises en compte.

## Créez Votre Compte

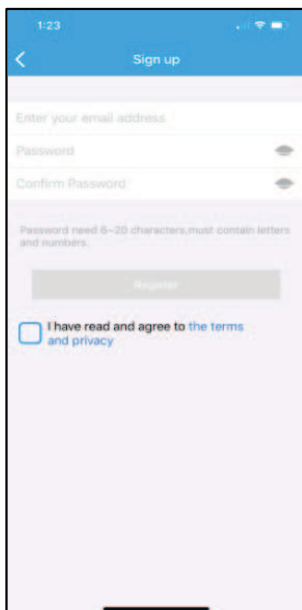
- Assurez-vous que votre smartphone est connecté à votre routeur sans fil et que votre routeur sans fil dispose d'une connexion Internet 2,4 GHz fonctionnelle,
- Il est recommandé d'activer votre compte immédiatement pour pouvoir récupérer votre mot de passe par email,



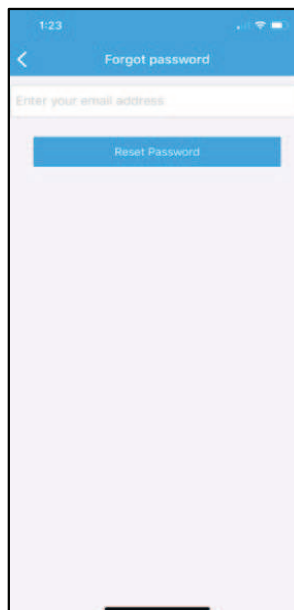
6.1 Choisir "Sign Up".



6.2 Saisissez votre adresse e-mail et votre mot de passe.



6.3 Choisir "Registration".



6.4 Si vous avez oublié votre mot de passe, Choisir "Forgot password?" dans le menu principal et entrez votre adresse e-mail. Choisir ensuite "Reset Password".

## REMARQUE

- Assurez-vous que votre smartphone soit capable de se connecter au réseau sans fil qui sera utilisé.
- Assurez-vous également que l'appareil ne se connecte pas à d'autres réseaux à portée.

## Apps Supplémentaires et Fonctions D'accueil Intelligents

Pour obtenir des instructions supplémentaires concernant les caractéristiques de l'application et des compétences de Smart Home, scanner le code QR ci-dessous.



# GARANTIE

Ces produits ont été fabriqués selon des normes de qualité et sont garantis pour un usage domestique contre les défauts de fabrication.

Garantie complète d'un (1) an à compter de la date d'achat d'origine et garantie limitée du système scellé de la 2<sup>e</sup> à la 5<sup>e</sup> année en cas d'utilisation à des fins domestiques normales.

Cette garantie n'affecte pas vos droits statutaires. En cas de dysfonctionnement de votre produit (panne, pièce manquante, etc.), veuillez contacter l'un de nos techniciens de service à notre ligne de service sans frais au 1-866-646-4332 de 8 h 00 à 18 h 00 HNE, du lundi au Vendredi et de 8 h 00 à 16 h 00 HNE le samedi. Midea se réserve le droit de réparer ou de remplacer le produit défectueux, à sa discrétion.

Toute garantie est invalide si le produit a été surchargé ou soumis à une négligence, une mauvaise utilisation ou une tentative de réparation autre que par un agent autorisé. L'utilisation professionnelle / commerciale intensive ou quotidienne n'est pas garantie. En raison de l'amélioration continue du produit, nous nous réservons le droit de modifier les spécifications du produit sans préavis.

Garantie

Pour obtenir des instructions sur la façon de drainer correctement le fréon, veuillez contacter notre service clientèle au 0-866-646-4332. Merci.



make yourself at homes