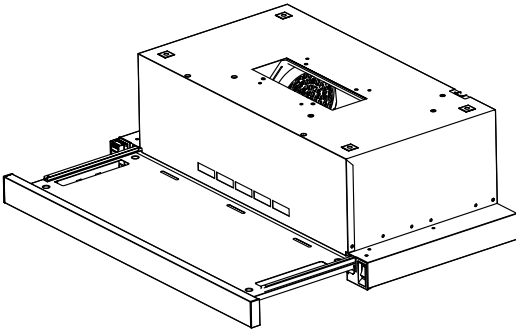


Haier

INSTALLATION INSTRUCTIONS USER GUIDE



Built-in Slideout Rangehood

HSH60RSX1

NZ AU

CONTENTS

Safety and warnings	2
Installation instructions	4
Operating instructions	10
Cleaning and maintenance	11
Parts and accessories	13

IMPORTANT!

SAVE THESE INSTRUCTIONS

The models shown in this user guide may not be available in all markets and are subject to change at any time. For current details about model and specification availability in your country, please go to our local website listed on the back cover or contact your local Haier dealer.

Registration

Register your product with us so we can provide you with the best service possible.

To register your product visit our website:
<https://www.haier.co.nz/> or
<https://www.haier.com.au>.

SAFETY AND WARNINGS

⚠ WARNING!



Electric Shock Hazard

All electrical work must be done in accordance with local and/or national electrical codes as applicable. If you are unfamiliar with methods of installing electrical wiring, employ the services of a qualified electrician. Turn off power at service entrance before installing wiring or servicing this product.

⚠ WARNING!



Weight Hazard

The rangehood is heavy. Please ensure adequate care is taken when installing the rangehood to prevent personal injury. The rangehood must be installed onto a solid wall, stud, beam or truss. Weight of the product is net weight: 6.5 kg, gross weight: 7.5 kg.

Net Weight:
6.5 kg

Gross Weight:
7.5 kg

IMPORTANT SAFETY INSTRUCTIONS

WARNING! When using this appliance always exercise basic safety precautions including the following:

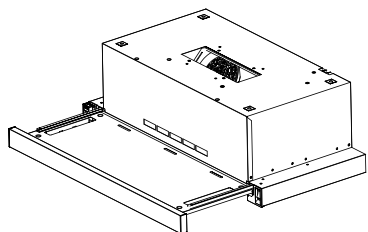
- Please read the entire set of instructions before installing or using this appliance.
- Please make this information available to the person installing the appliance - doing so could reduce your installation costs.
- Always switch the power off prior to installation, servicing or cleaning of the rangehood.
- This appliance must be installed and connected to the mains power supply only by a suitably qualified person according to these installation instructions and in compliance with any applicable local building and electricity regulations. Failure to install the appliance correctly could invalidate any warranty or liability claims.
- To comply with electrical safety regulations, the rangehood must be plugged into a socket near the appliance. The socket must be accessible, or have an accessible isolating switch, to enable the end user to isolate the rangehood from the power for the purpose of internal cleaning or maintenance.
- A power outlet should be within 750 mm of the motor assembly and can either be on the wall, behind the chimney or in the ceiling.
- If the supply cord of this equipment is damaged, it must only be replaced by the manufacturer, its service agent or similarly qualified person in order to avoid a hazard.
- Ducting accessories are not supplied. All ducting must comply with local requirements and building codes.

SAFETY AND WARNINGS

- Attention should be given to ensure that any applicable regulations concerning the discharge of exhaust air are fulfilled.
- Before connecting any pipes, consult municipal ordinances to ensure that any applicable regulations concerning the discharge of exhaust air are adhered to and request permission from the person in charge of the building.
- Exhaust air must not be discharged into an existing flue that is used for exhausting fumes from appliances burning gas or other fuels.
- There shall be adequate ventilation of the room when the rangehood is used at the same time as appliances burning gas or other fuels.
- The minimum distance between the supporting surface for cooking vessels on the cooktop and the lowest part of the rangehood shall be 600 mm or 650 mm if installed over a gas cooktop.
- Stainless steel is very easily damaged during installation if abraded or knocked by tools. It is recommended to protect the top of the rangehood with cardboard or polystyrene during the installation to minimise the risk of damage occurring.
- To reduce the risk of damage occurring to the cooktop, it is recommended that the surface of the cooktop is protected with cardboard or a similar object during installation of the rangehood.
- This appliance is not intended for use by persons (including children) with reduced physical, sensory or mental capabilities, or lack of experience and knowledge, unless they have been given supervision or instruction concerning the use of the appliance by a person responsible for their safety.
- Children should be supervised to ensure they do not play with the appliance. Cleaning and user maintenance shall not be made by children without supervision.
- You must read the details concerning the method and frequency of cleaning.
- There is a fire risk if cleaning is not carried out in accordance with the instructions.
- Never leave frying food unattended since grease can overheat and catch fire. The risk of fire is even greater in the case of used oil.
- Do not flambé under the rangehood.
- Never use the rangehood without the filters in place.
- During an electrostatic discharge (ESD) it is possible that the device will stop working. By switching the device off and on the device will again work as intended.
- CAUTION: accessible parts may become hot when used with cooking appliances.
- Remove all packaging, including protective wrappings, before use.

INSTALLATION INSTRUCTIONS

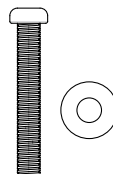
Contents of packaging



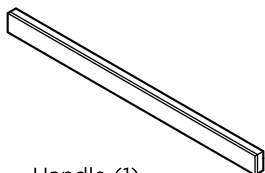
Rangehood
(1)



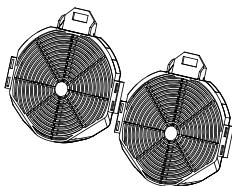
Installation instructions
User guide manual
(1)



Screw M6 x 40 mm
(incl. washer)
(4)



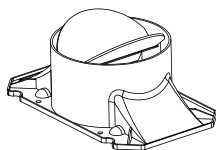
Handle (1)



Carbon filters (2)



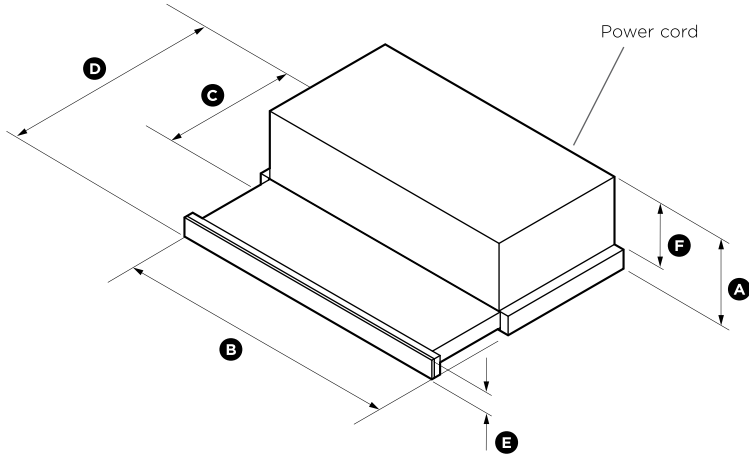
Screw 3 x 12 mm
(6)



Ducting adapter -
top extraction
(1)

INSTALLATION INSTRUCTIONS

Product dimensions



		HSH60RSX1
PRODUCT DIMENSIONS		mm
(A)	Overall height of product	195
(B)	Overall width of product	597
(C)	Overall depth of chassis	282
(D)	Overall depth of chassis (fully extended)	455
(E)	Height of handle	68.5
(F)	Installed chassis height	152
	Power cord length(exposed)	1000

IMPORTANT!

Actual product dimensions may vary by ± 2 mm.

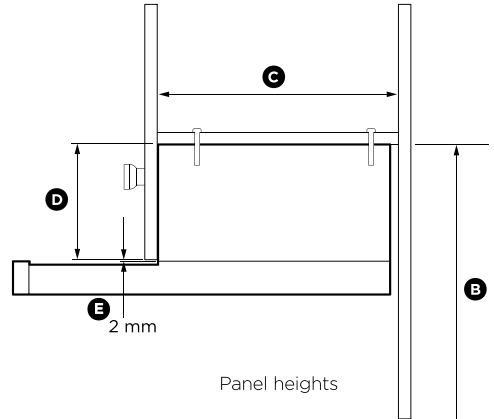
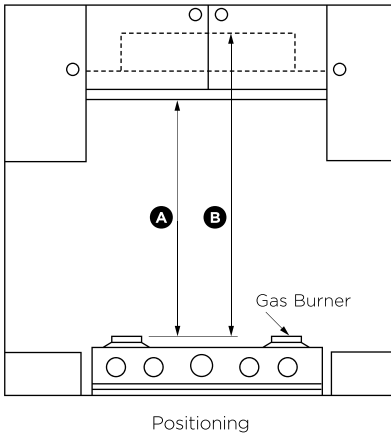
Please read the entire instructions before installing the rangehood.

INSTALLATION INSTRUCTIONS

Height of rangehood

Please read the entire instructions BEFORE installing the rangehood.

- Ascertain the desired installation height of the rangehood.
- When installing the rangehood, the lower edge of the unit must be a minimum of 600 mm above electric cooktop surface; 650 mm above gas cooktop cooking surface; and up to a maximum of 750 mm.
- Any installation above 750 mm will compromise the extraction performance.



RECIRCULATED

DUCTED

HSH6ORSX1

HSH6ORSX1

MINIMUM CLEARANCES

mm

mm

- (A) Height (top of cooktop to base of rangehood)
 Electric cooktop
 Gas cooktop

min. 600 – max. 750
 min. 650 – max. 750

min. 600 – max. 750
 min. 650 – max. 750

- (B) Height (top of cooktop to base of shelf where
 rangehood is attached)
 Electric cooktop
 Gas cooktop

min. 795 – max. 945
 min. 845 – max. 945

min. 795 – max. 945
 min. 845 – max. 945

- (C) Depth of installation (cabinet cavity)

min. 283

min. 283

- (D) Height of installation (cabinet cavity)

max. 125

max. 150

- (E) Clearance to bottom of cabinetry

min. 27

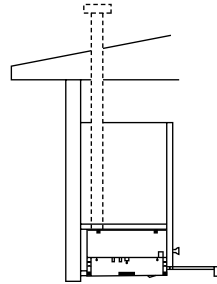
min. 2

INSTALLATION INSTRUCTIONS

Venting requirements

IMPORTANT!

To reduce risk of fire and to properly exhaust air, be sure to duct air outside!— Do not vent exhaust air into spaces within walls or ceilings or into attics, crawl spaces, or garages. The range hood can be installed to operate with the exhaust air ducted externally from the kitchen or with the exhaust air recirculating within the kitchen.

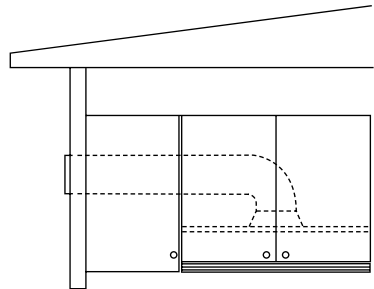


Ducting through roof

External venting

For best results:

- Use the shortest and straightest duct route possible. Elbows and transitions increase noise and reduce air flow efficiency.
- Use rigid or semi-rigid ducting 120mm diameter with a 135mm (minimum) round hole in the wall or ceiling. In difficult installations where flexible ducting is required ensure that it is pulled tight.



Ducting through cavity to side

Recirculating

This range hood can be installed to recirculate within the kitchen where ducting externally is not practical. The carbon filters fit on the blowers within the cavity of the range hood and absorb odours as they pass over the filters. The exhaust air then passes through the blower unit and the diverter before recirculating back into the kitchen.

Note: A ducting hole is not required in the wall or ceiling when installing a range hood to be recirculated.

To operate this range hood with the air recirculating the following is required:

Ducted recirculation through cabinetry

- Carbon filters (refer to 'Parts and Accessories').
- 120mm ducting.
- 120mm louvered vent.

Front recirculation

- Carbon filters (refer to 'Parts and Accessories').

INSTALLATION INSTRUCTIONS

WARNING!

- **This product is heavy and requires two persons for installation.**
- **Installation work and electrical wiring must be done by qualified person(s) in accordance with all applicable codes and standards.**
- **Failure to install the screws or fixing device in accordance with these instructions may result in electrical hazards.**

IMPORTANT!

Wear gloves to protect against sharp edges.

The manufacturer is not liable for any damage caused by not following these instructions.

Installation

Preparing for installation:

Before installing your rangehood:

- Please read the instructions carefully.
- Unpack the rangehood.
- Ensure that the voltage (V) and the frequency (Hz) indicated on the serial plate match the voltage and frequency at the installation site.
- Check that all functions are working.
- Check that the area behind the installation surface to be drilled is clear of any electrical cables or pipes, etc.
- The rangehood surfaces can be damaged during installation if grazed or knocked by tools. Please take care to protect the surfaces during installation.
- Protect the cooktop surface with cardboard, or the like, to prevent damage occurring whilst the rangehood is being installed above.

INSTALLATION INSTRUCTIONS

To front recirculate:

IMPORTANT!

The cabinetry doors must not come down over the front vents.

Note: Do not remove venting cover (B), see Fig. 1

- Install carbon filters see page 12.
- Fix the range hood to a shelf mounted at the right height in your wall units, by drilling 4 holes, 8 mm in diameter, (see Fig.3) and fixing with the 4 screws supplied.
- Plug in range hood

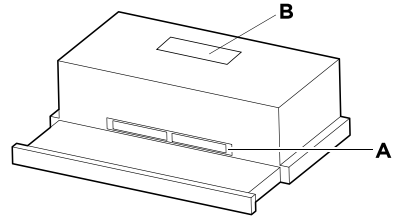


Fig.1 Preparing for install

Ducted installations, both recirculation and externally vented:

- Remove venting cover, using a flat head screw driver and mallet, break the 6 tangs holding venting cover (B) in place, see Fig. 1
Wedge screw driver under cover and use mallet to tap the end of the screw driver to break the tang. Repeat for all 6 positions
- Place a strip of aluminium tape over front vent (A), see Fig. 1
- Attach ducting adaptor using the provided screws, see Fig. 2
- Replace tall 70mm handle with short 50mm handle (optional)

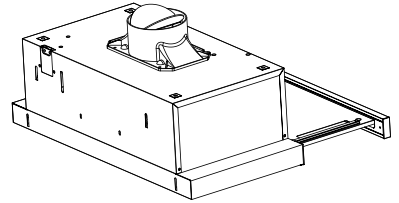


Fig. 2 Preparing for Install

To recirculate through ducting in your cabinetry:

Determine the desired location of the 120mm louvered vent on your cabinetry. The louvered vent can be placed on the side or front of your cabinet provided there is sufficient clearance from the surrounding cabinetry to enable ventilated air to recirculate back into your kitchen, see Fig. 4

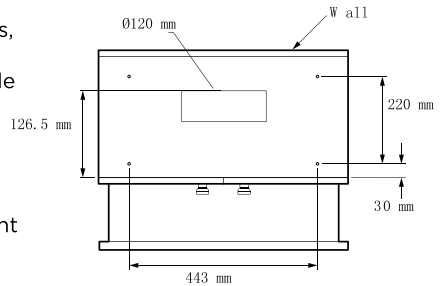


Fig. 3 Preparing for Install

Note: Placement of the louvered vent on the top of your cabinetry is not recommended. This should only be done if objects can be prevented from falling through the louvers into the blower.

- Create a cut-out in your cabinet to fit the 120mm louvered vent. Place the louvered vent on the hole created and secure.
- Fix the range hood to a shelf mounted at the right height in your wall units, by drilling 4 holes, 8 mm in diameter, (see Fig.3) and fixing with the 4 screws supplied.
- Connect 120mm ducting to the blower outlet and plug in range hood

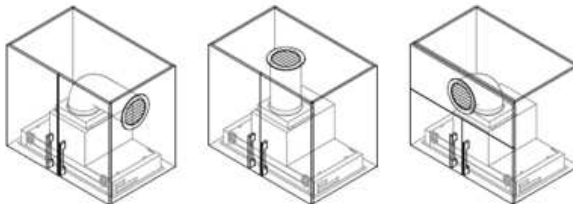
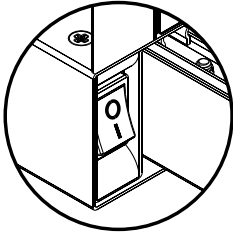


Fig. 4 Ducted Recirculation vent options

OPERATING INSTRUCTIONS

Control panel features

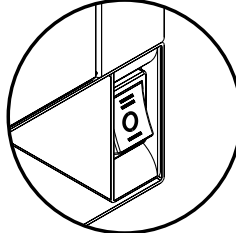
Left hand side



Light switch: the light can be operated independently from the fan.

Fig.5 Light switch

Right hand side

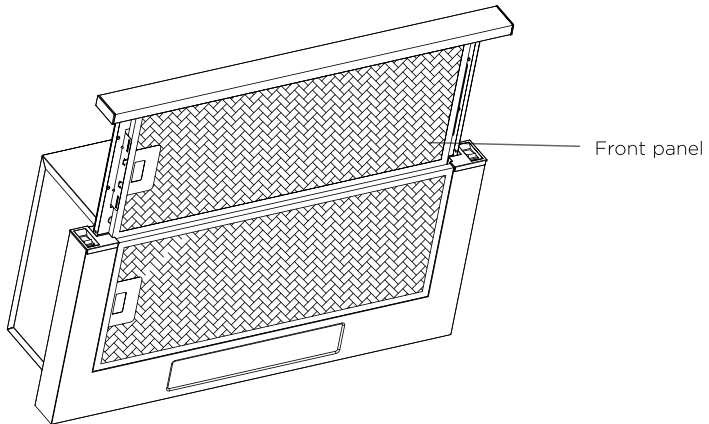


Fan switch: the fan can be run at different speeds depending on the cooking requirements.

Fig.6 Fan switch

Operating instructions

- ① Pull out the front panel more than 50 mm. The front panel has to be pulled to its maximum extension so as to optimise the extraction capacity.
- ② Switch on the lamps (Fig.5).
- ③ Select air flow speed to suit your cooking requirements. The fan switch (Fig.6) has the following functions:
 - Stop
 - I Low speed
 - II High speed



CLEANING AND MAINTENANCE

WARNING!

Unplug or disconnect the appliance from the power supply before servicing or cleaning.

IMPORTANT!

- Never use abrasive or oil based cleaners.
- Wear gloves to protect against sharp edges.

General maintenance

The manufacturer is not liable for any damage caused by not following these instructions.

The rangehood should be cleaned regularly using warm water with soap or mild liquid detergents. This ensures that no build-up of grease occurs as these deposits are corrosive. Do not use abrasives or harsh detergents/cleaning fluids.

Note: in areas of high humidity and coastal environments cleaning should be carried out more frequently.

Aluminium filter

The grease filter must be periodically cleaned (at least every two months).

Remove the grease filter and wash either by hand using hot soapy water or place in the dishwasher with recommended dishwashing detergent for your dishwasher.

Note:

- Some discolouration of the frame may occur.
- When installing or replacing a filter, remove the protective plastic covering from the filter.

CLEANING AND MAINTENANCE

WARNING!

When replacing the bulb, let the bulb cool, and assure that power to the rangehood has been turned off. Use new bulbs according to that indicated on the rangehood nameplate.

Carbon filter for all recirculating installations

Active carbon filters are disposable items designed to remove grease and odours from cooking vapours before the air is channelled back into the kitchen. The active carbon filters must be replaced periodically to work properly, at least every three months, depending on the frequency with which the rangehood is used.

Note:

- Fully saturated carbon filters can become a barrier to air movement, impeding the rangehood's performance.
- In the event of fire, fully grease laden filters could be flammable and therefore regular replacement is recommended.

Replacement

To replace carbon filters (B), proceed as follows:

- ① Remove aluminium filter (A).
- ② To remove carbon filter undo (B).
- ③ To install follow above steps in reversed order.

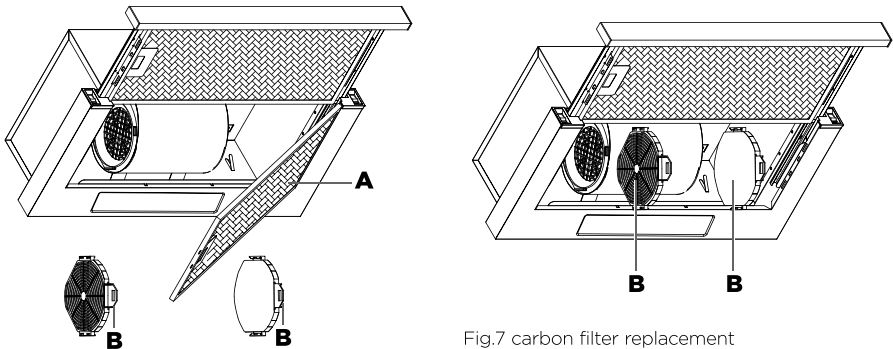


Fig.7 carbon filter replacement

Light bulb replacement

(230 Volt / 50 Watt light bulb)

- ① To replace a light bulb, first disconnect rangehood from power supply.
- ② Remove the faulty bulb and fit replacement bulb into the lamp holder.
- ③ Refit the light bulb.

Note: replacement bulbs are not covered by Manufacturer's Warranty.

PARTS AND ACCESSORIES

ACCESSORY	PART NUMBER
Light bulb	0010900858
Aluminium Filter	0011000223
Carbon Filter Recirculation Kit	61796

